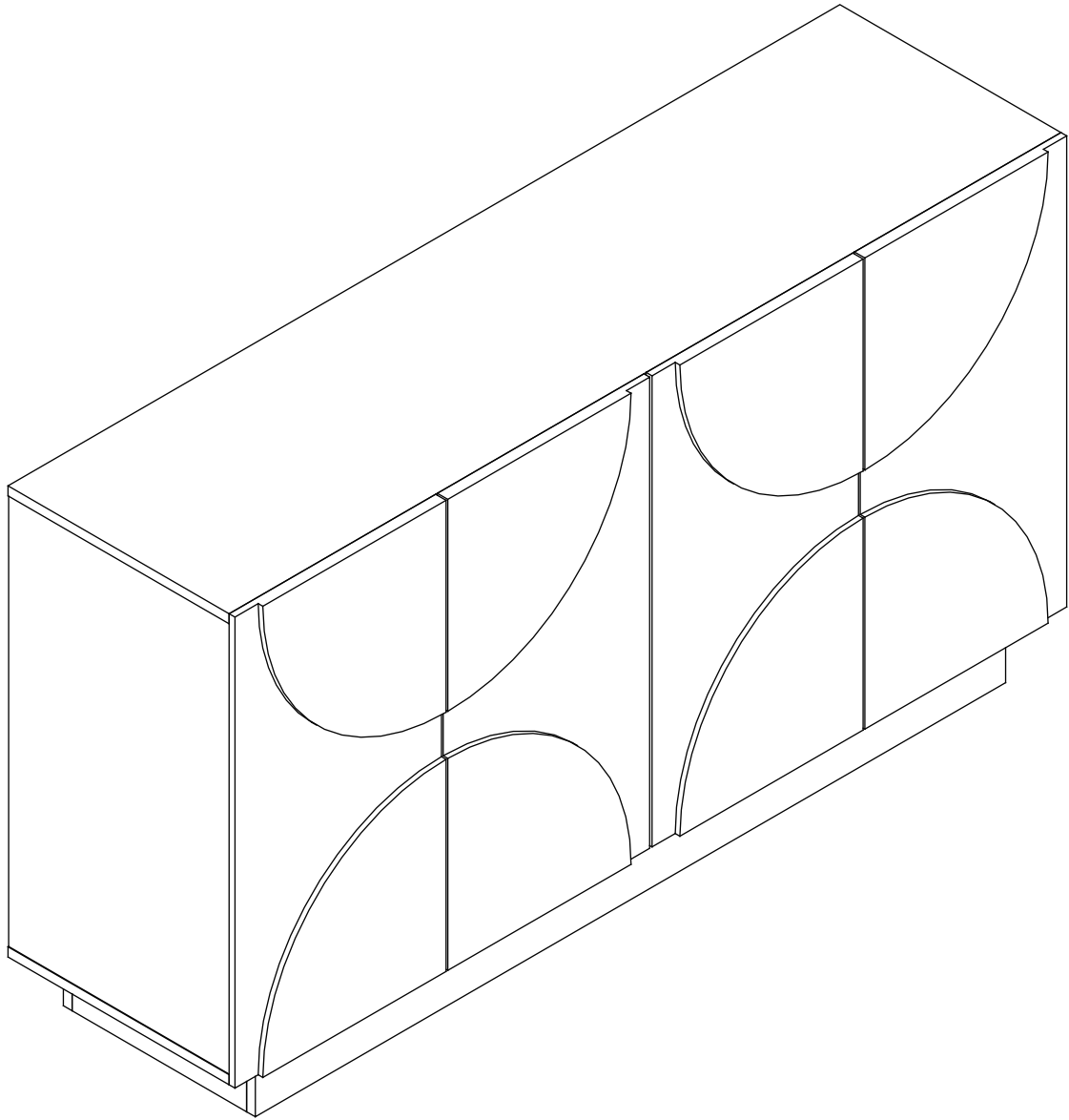


ASSEMBLY INSTRUCTION
ITEM:N715P246892
SIDEBOARD



ASSEMBLY INSTRUCTION

ITEM:N715P246892

Please read these instructions fully before starting assembly :

Tools required: Phillips screwdriver(medium & large)

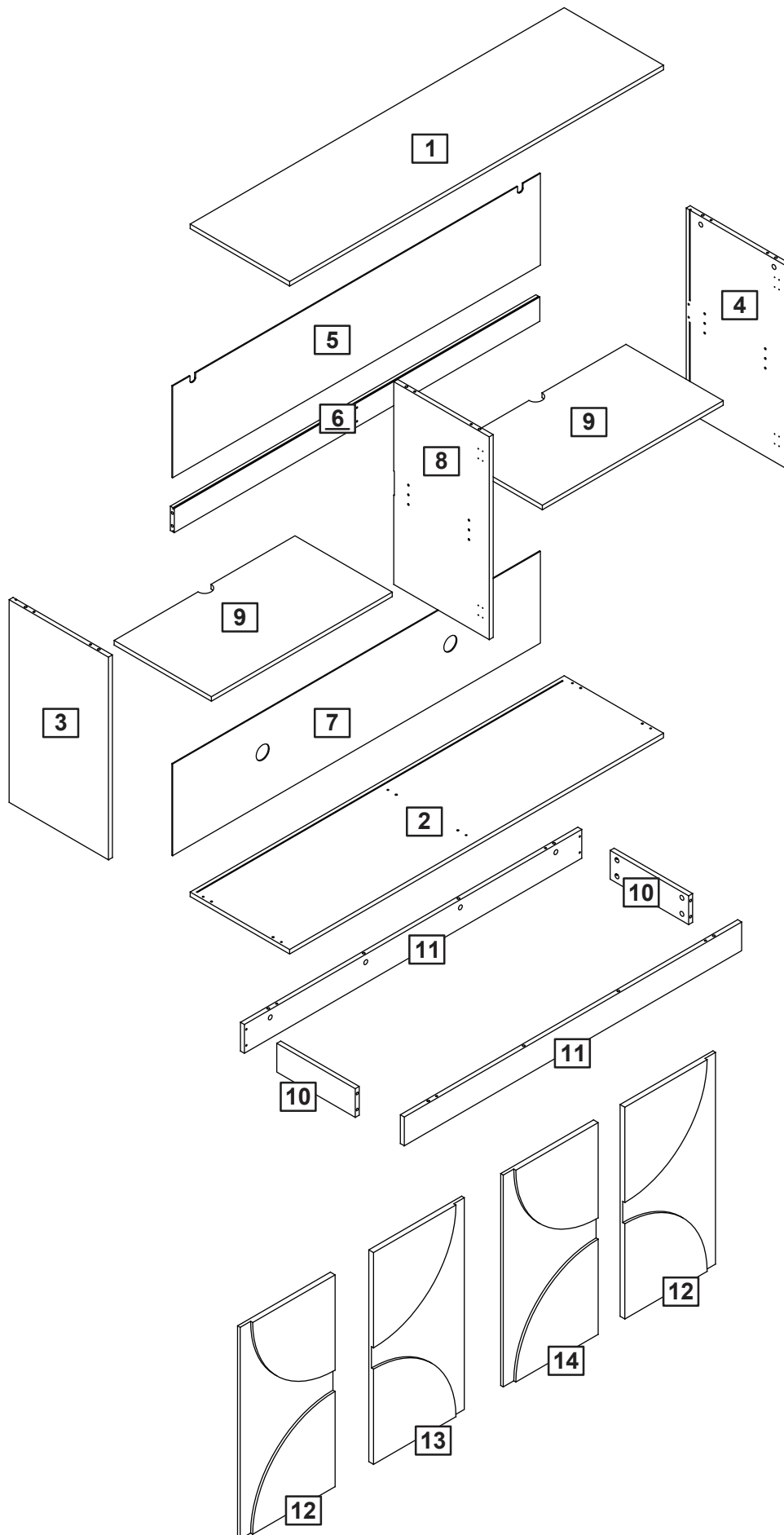
- 1.Check you have all the components and tools listed on the following pages.
- 2.Remove all fittings from the plastic bags and separate them into their groups.
- 3.Keep children and animals away from the work area, small parts could choke if swallowed.
- 4.Make sure you have enough space to layout the parts before starting.
- 5.During assembly do not stand or put weight on the product, this could cause damage.
- 6.Assemble the item as close to its final position (in the same room) as possible.
- 7.Assemble on a soft level surface to avoid damaging the unit or your floor.
- 8.Parts of the assembly will be easier with 2 people.
- 9.To reduce the likelihood of damaging your product please ensure that your power drill is set on a low torque setting.
- 10.Assemble all parts and bolts loosely during assembly, only once the product is complete should you fully tighten the bolts.
- 11.Regularly check and ensure That all bolts and fittings are tightend properly.
- 12.Please do not place items that exceed the load capacity.

Care and maintenance

Only clean using a damp cloth and mild detergent, do no use bleach or abrasive cleaners.

ASSEMBLY INSTRUCTION

ITEM:N715P246892

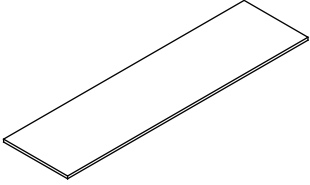
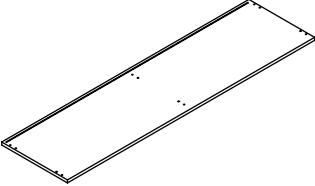
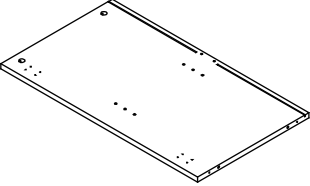
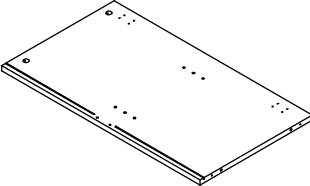
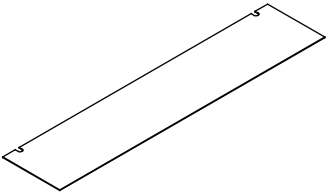
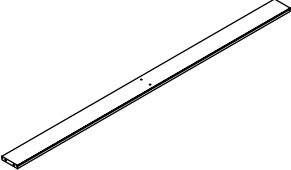
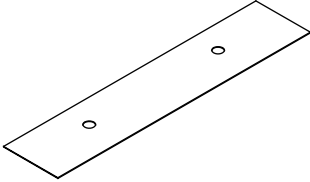
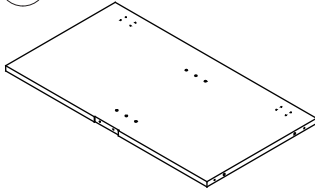
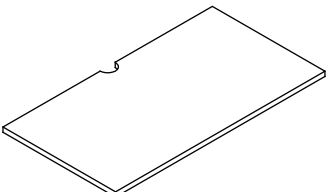
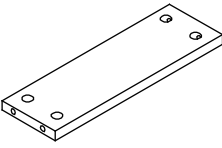
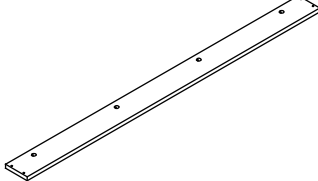
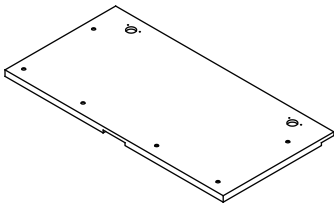
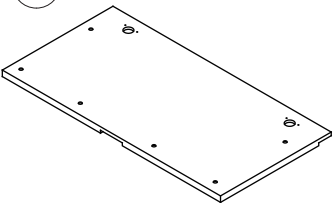
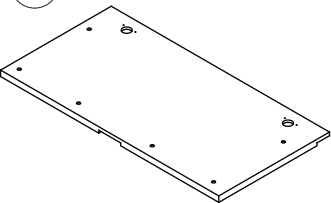


Part List

ITEM:N715P246892

Please check you have all the panels listed below

Note: The quantities below are the correct amount to complete the assembly. In some cases more fittings may be supplied than are required.

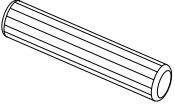
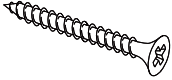
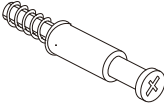
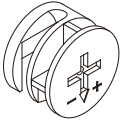
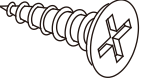
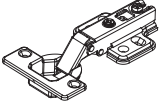

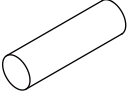
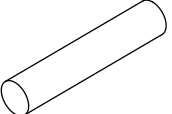
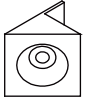

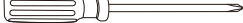

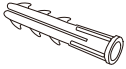
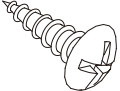
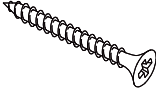
<p>①</p>  <p>Top Panel 1 PC</p>	<p>②</p>  <p>Bottom Panel 1 PC</p>	<p>③</p>  <p>Left Side Panel 1 PC</p>	<p>④</p>  <p>Right Side Panel 1 PC</p>
<p>⑤</p>  <p>Back Panel 1 PC</p>	<p>⑥</p>  <p>Rail 1PC</p>	<p>⑦</p>  <p>Back Panel with Holes 1 PC</p>	<p>⑧</p>  <p>Divider 1PC</p>
<p>⑨</p>  <p>Adjustable Shelf 2 PCS</p>	<p>⑩</p>  <p>Side Support Rail 2 PCS</p>	<p>⑪</p>  <p>Bottom Support Rail 2PCS</p>	<p>⑫</p>  <p>Side Door Panel 2PCS</p>
<p>⑬</p>  <p>Center Door Panel 1PC</p>	<p>⑭</p>  <p>Center Door Panel 1PC</p>		

Hardware list

ITEM:N715P246892

Please check you have all the panels listed below

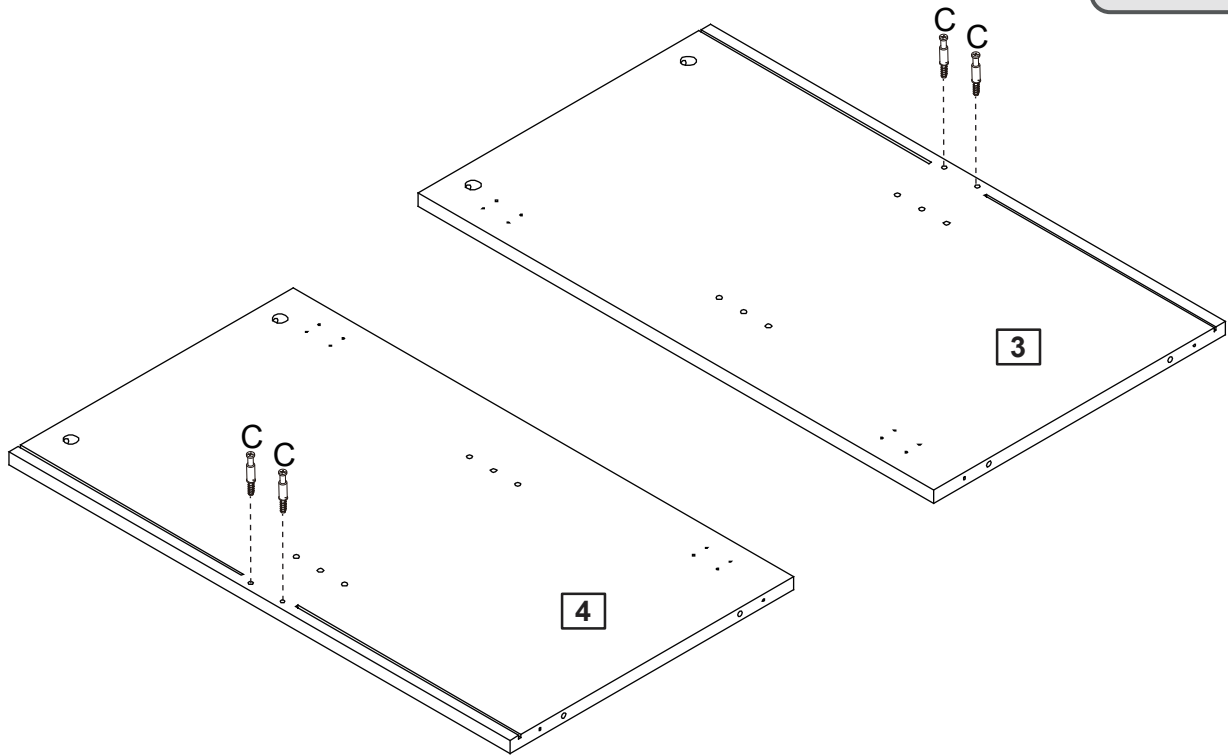
Note: The quantities below are the correct amount to complete the assembly. In some cases more fittings may be supplied than are required.

<p>A</p>  <p>Dowel x 16</p>	<p>B</p>  <p>4*35mm Screw x 8</p>	<p>C</p>  <p>6*35mm Bolt x 26</p>	<p>D</p>  <p>Locking Nut x 26</p>
<p>E</p>  <p>3.5*14mm Screw x 48</p>	<p>F</p>  <p>Hinge x 4</p>	<p>G</p>  <p>Hinge x 4</p>	<p>H</p>  <p>Shelf Plug x 4</p>
<p>I</p>  <p>Long Shelf Plug x 2</p>	<p>J</p>  <p>Wedge x 8</p>	<p>K</p>  <p>3*14mm Screw x 8</p>	<p>ASSEMBLY TOOLS REQUIRED (NOT INCLUDED)</p> 
<p>L</p> <p>L1 L2 L3 L4</p>     <p>anti-tip bracket x 2 Screw x 2 wall anchor x 2 4*40mm Screw x 2</p>			

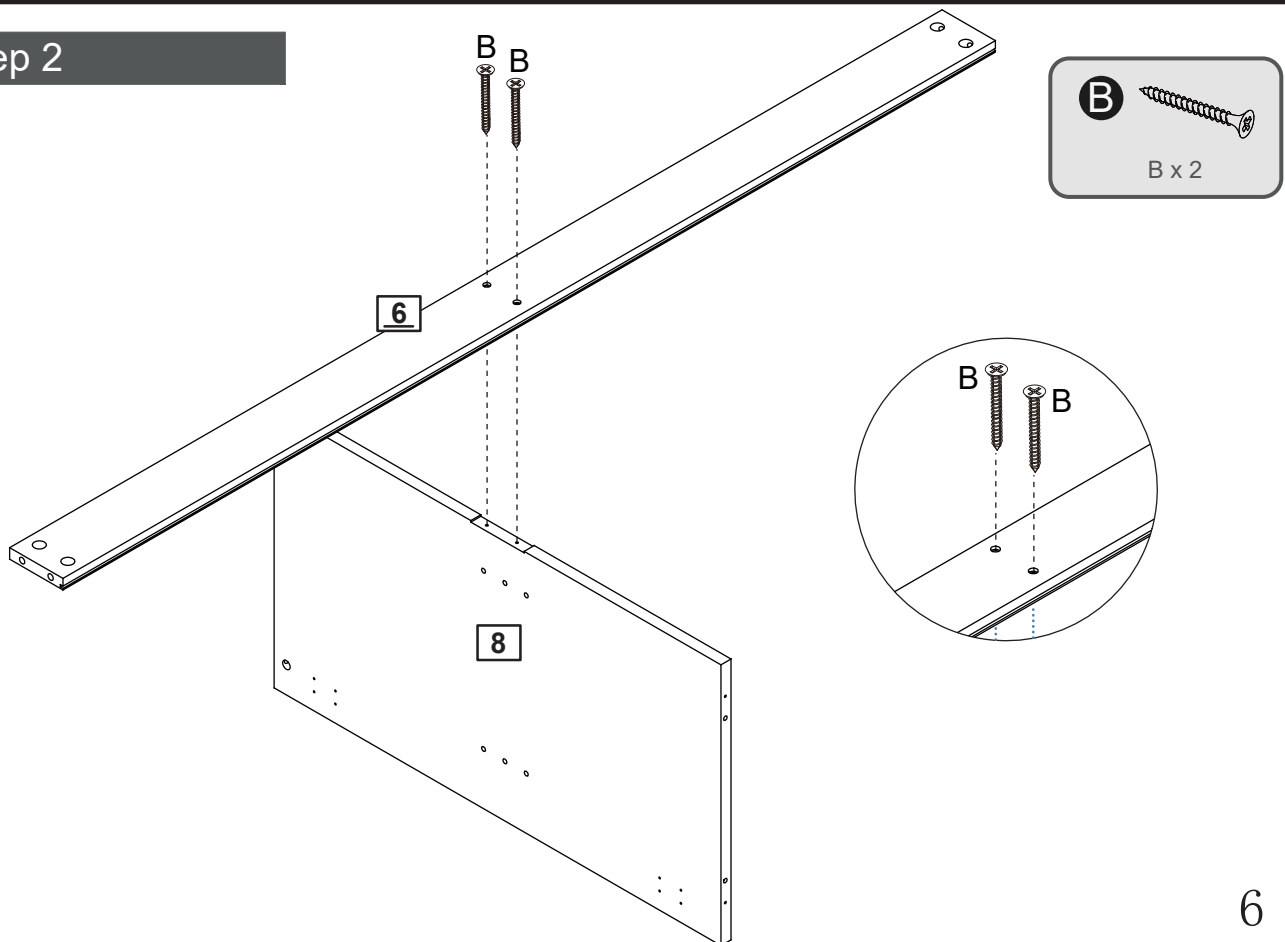
ASSEMBLY INSTRUCTION

ITEM:N715P246892

Step 1



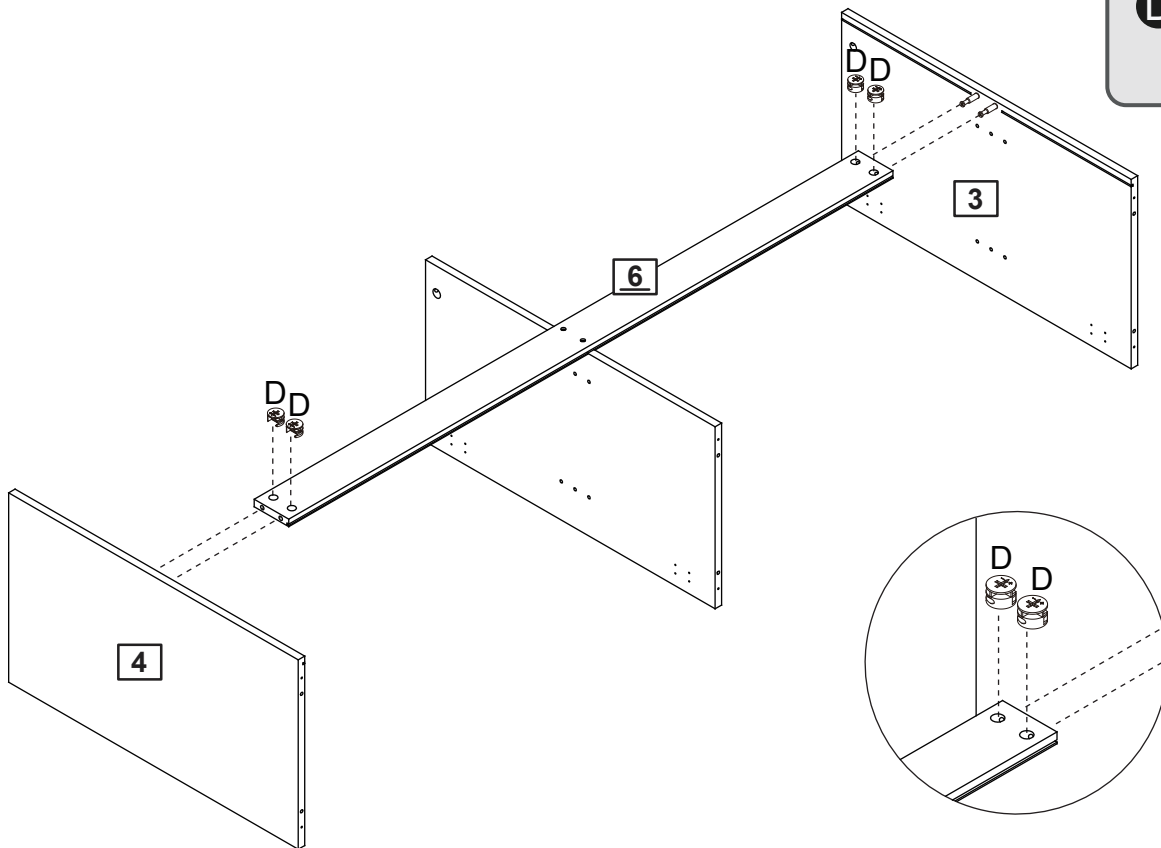
Step 2



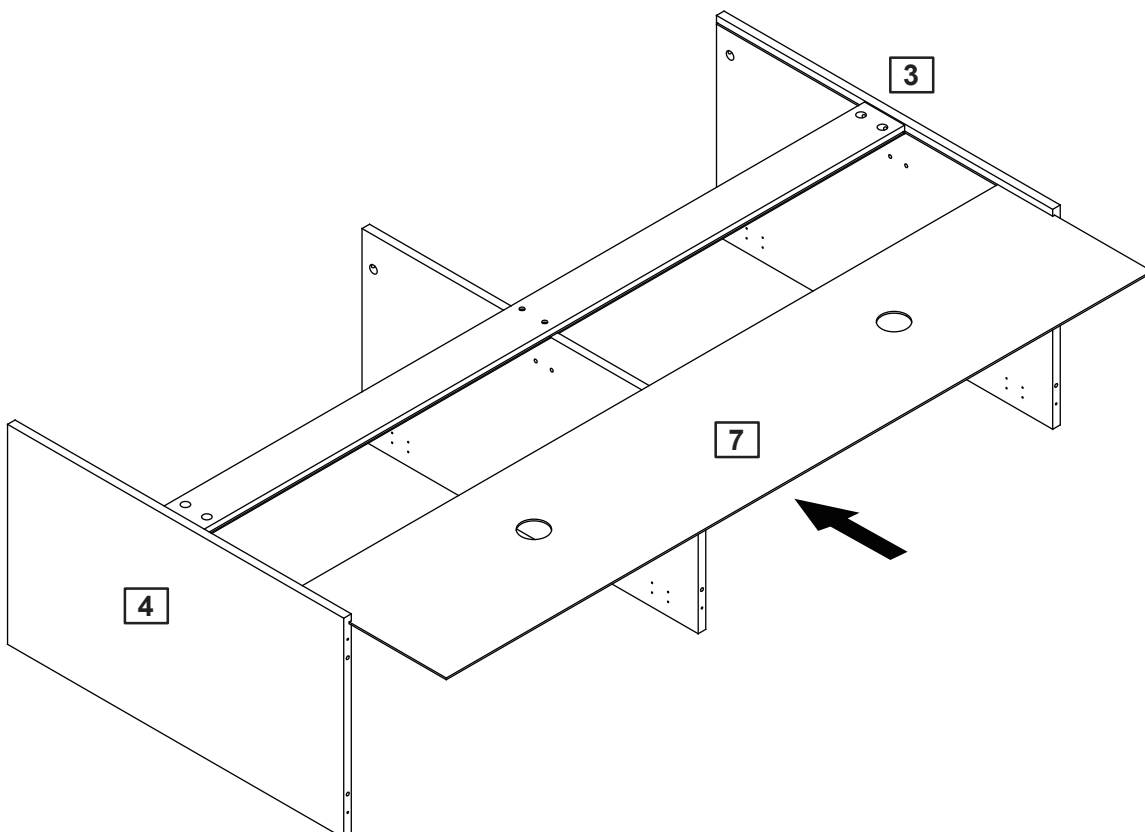
ASSEMBLY INSTRUCTION

ITEM:N715P246892

Step 3



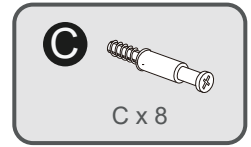
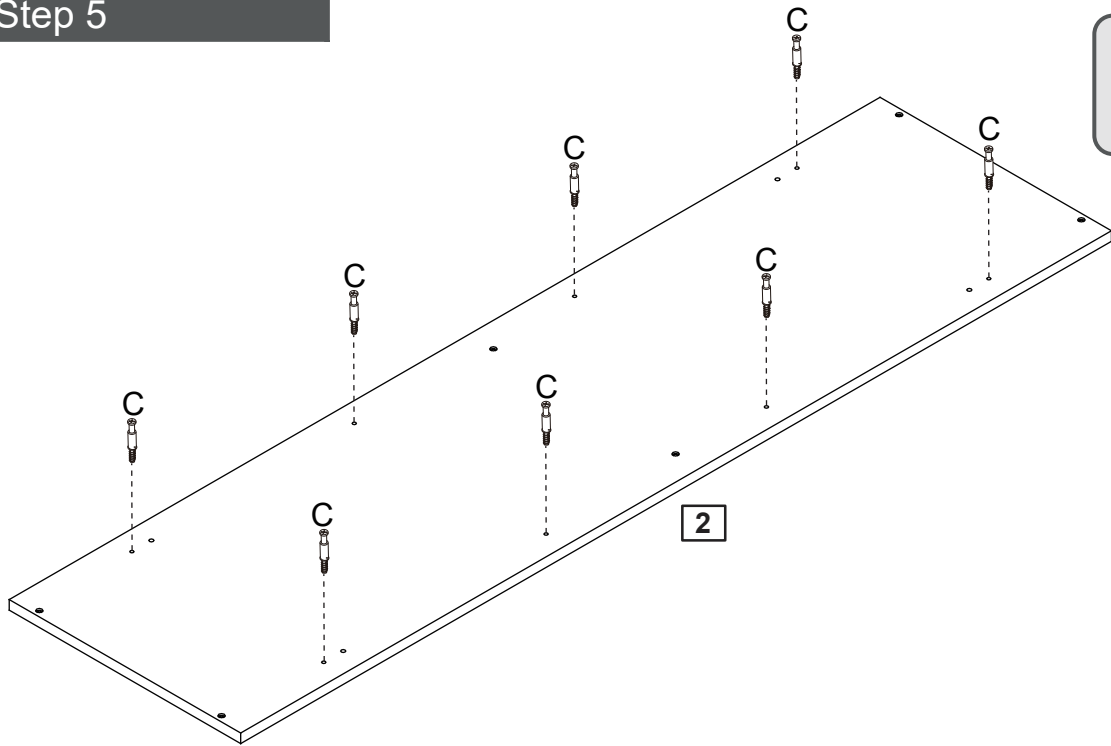
Step 4



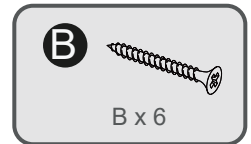
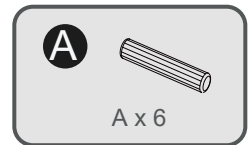
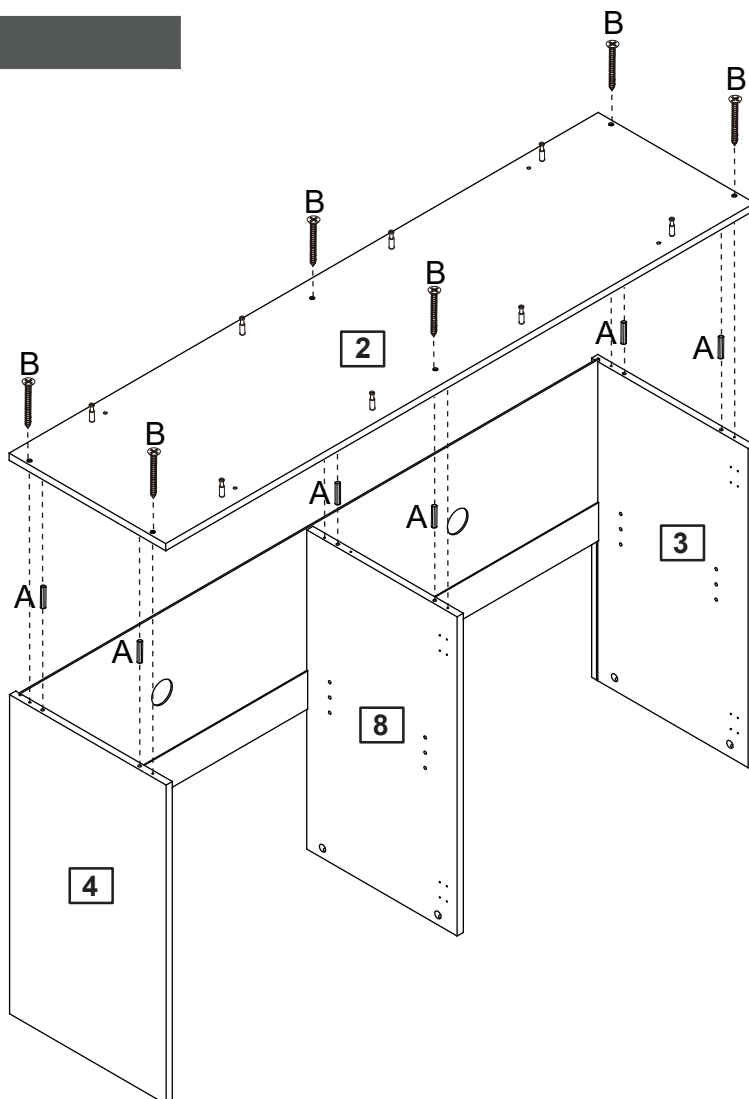
ASSEMBLY INSTRUCTION

ITEM:N715P246892

Step 5



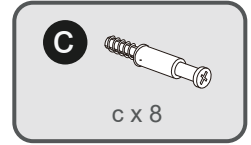
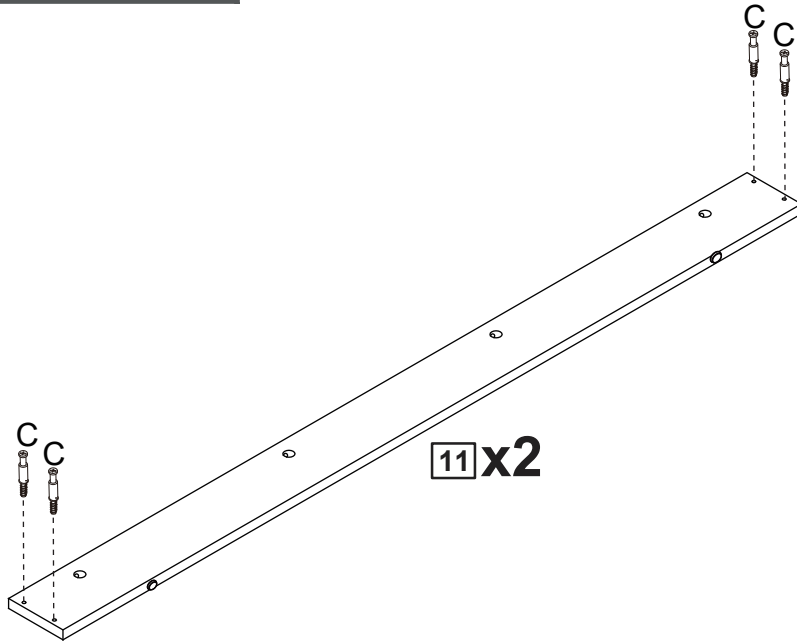
Step 6



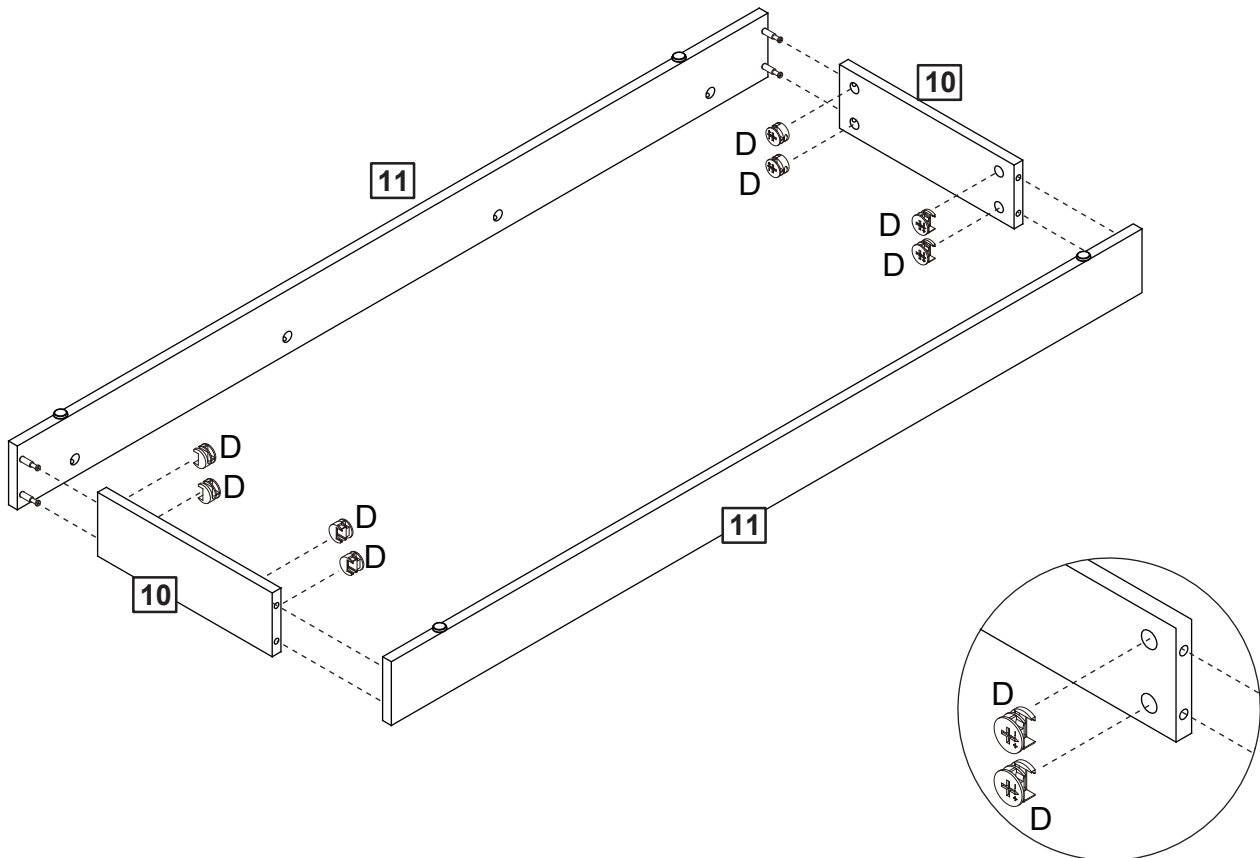
ASSEMBLY INSTRUCTION

ITEM:N715P246892

Step 7



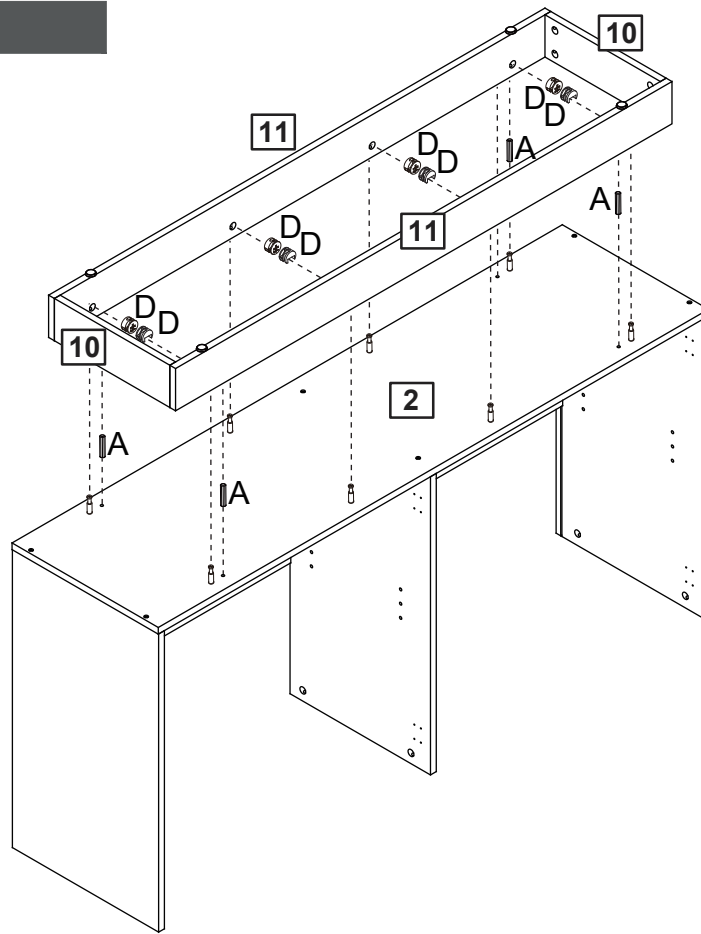
Step 8



ASSEMBLY INSTRUCTION

ITEM:N715P246892

Step 9

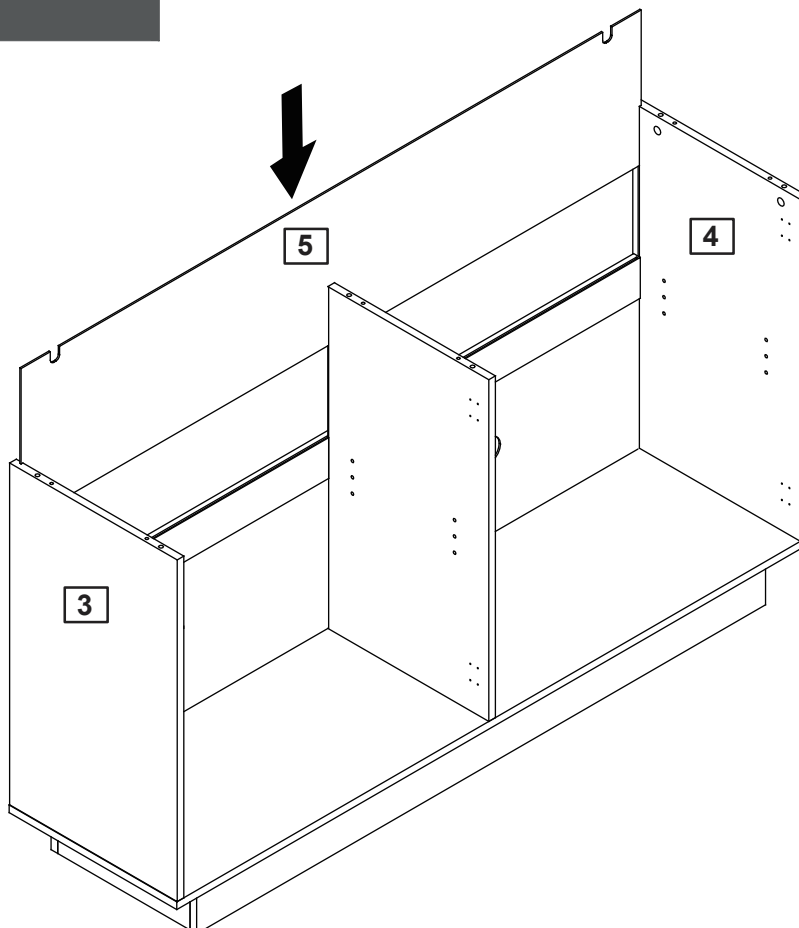


A x 4



D x 8

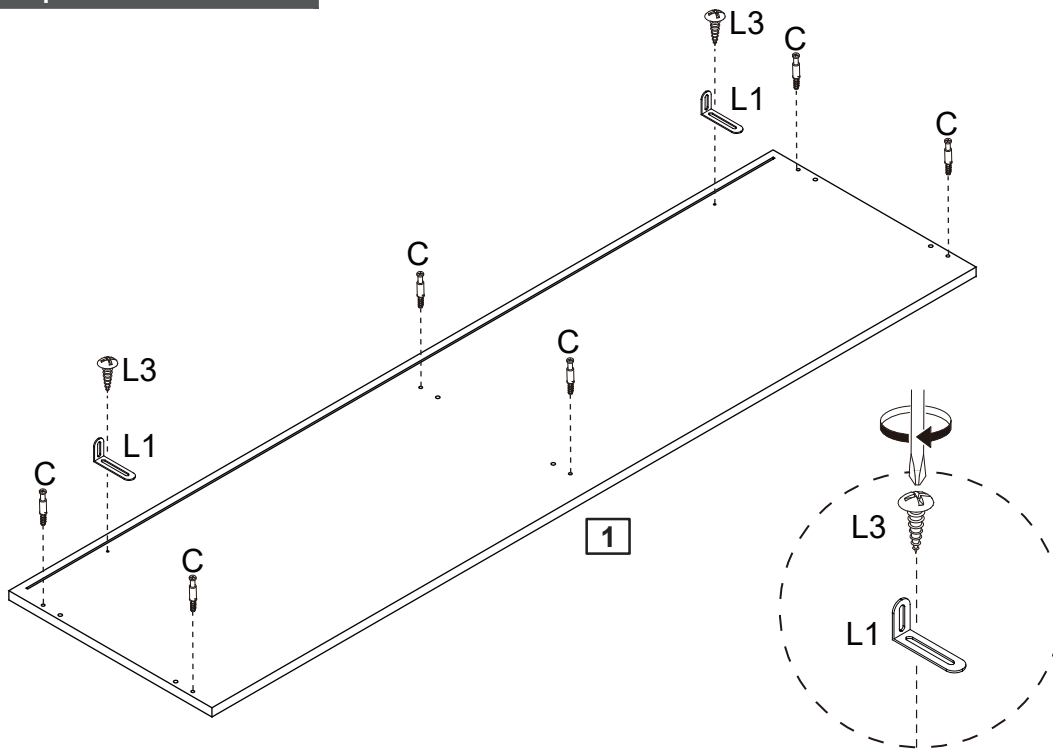
Step 10



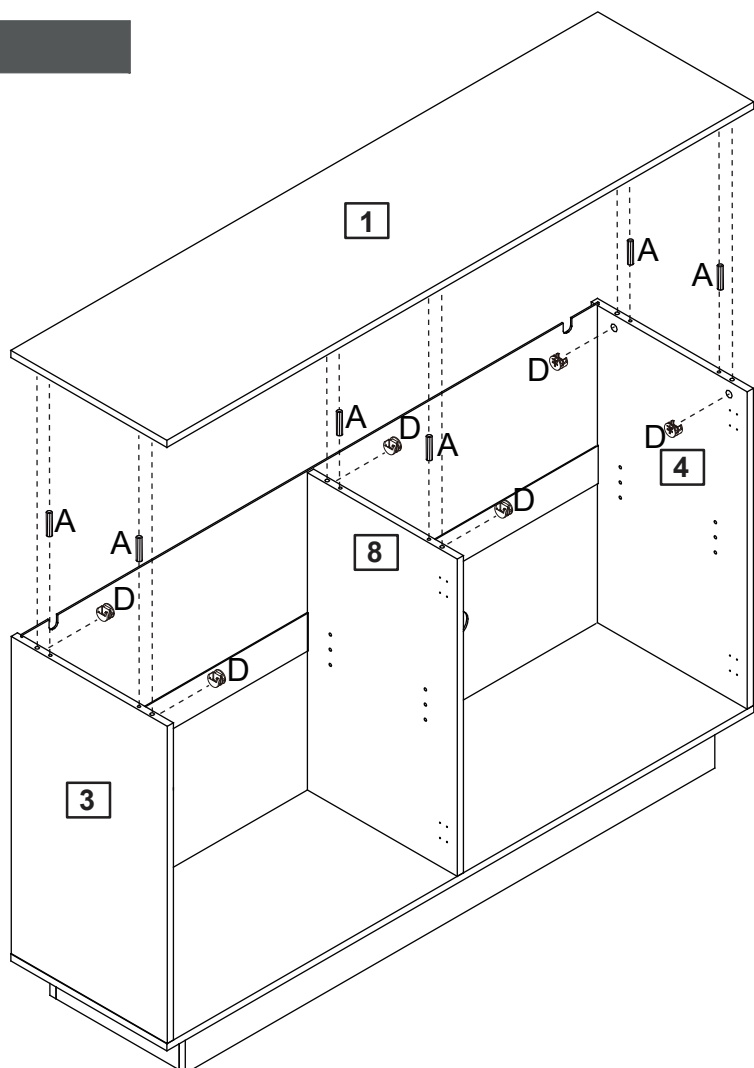
ASSEMBLY INSTRUCTION

ITEM:N715P246892

Step 11



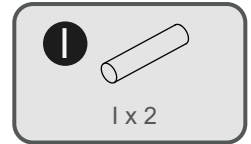
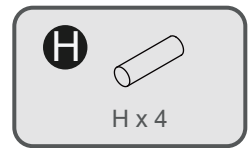
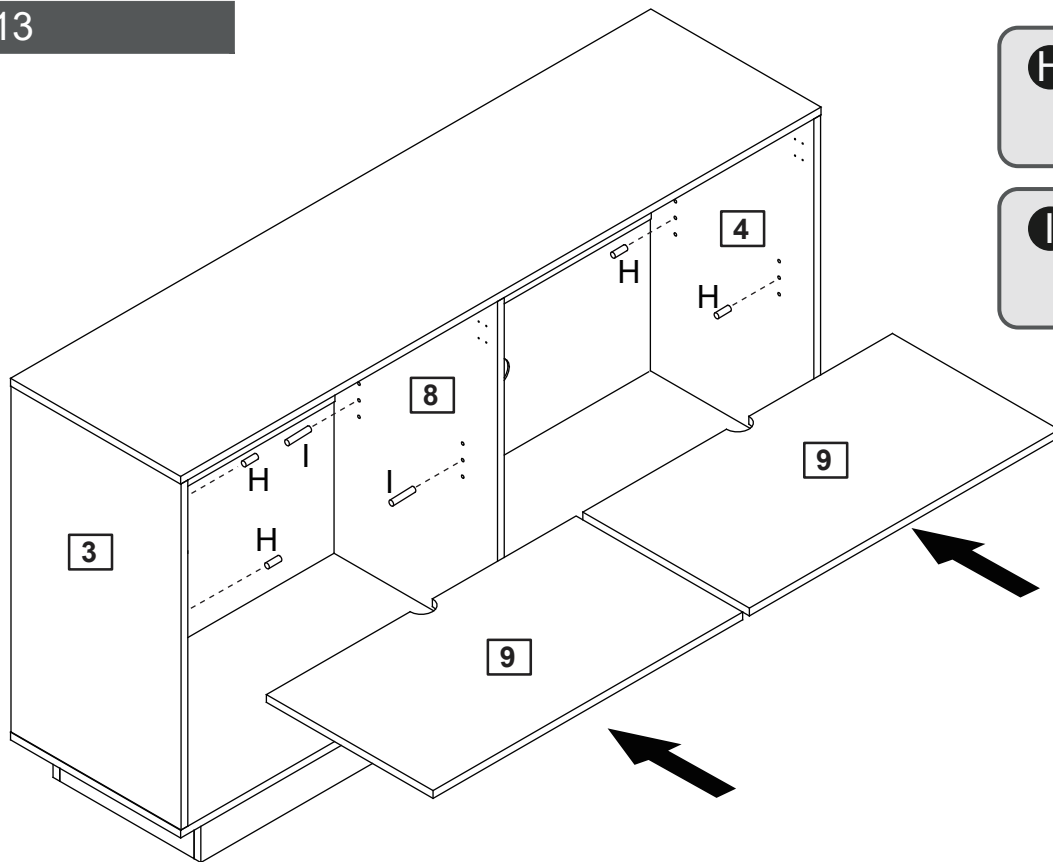
Step 12



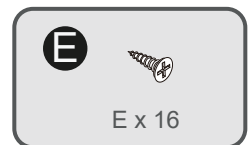
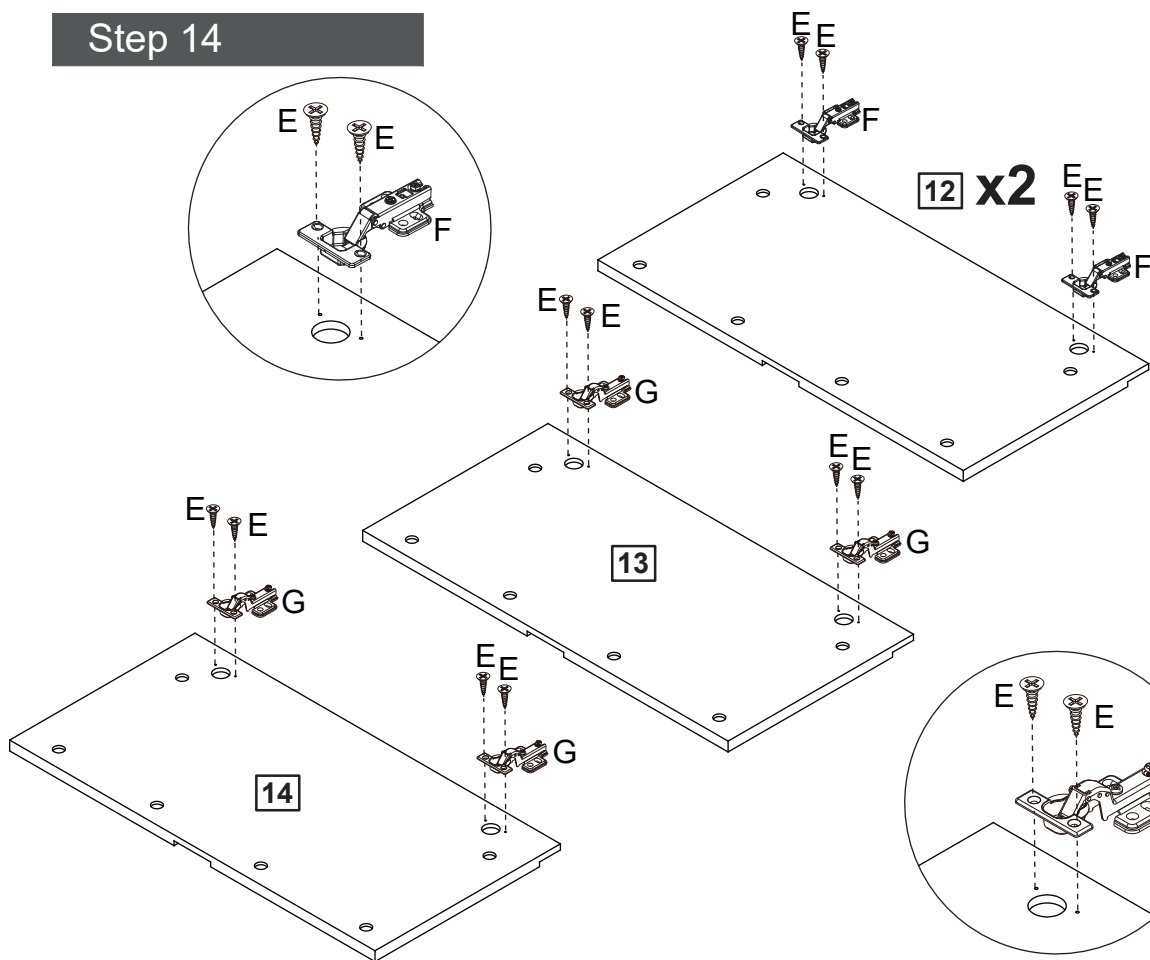
ASSEMBLY INSTRUCTION

ITEM:N715P246892

Step 13



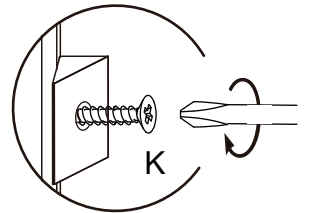
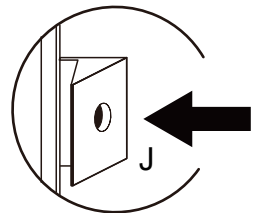
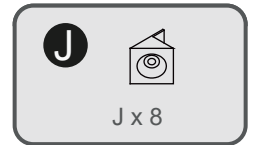
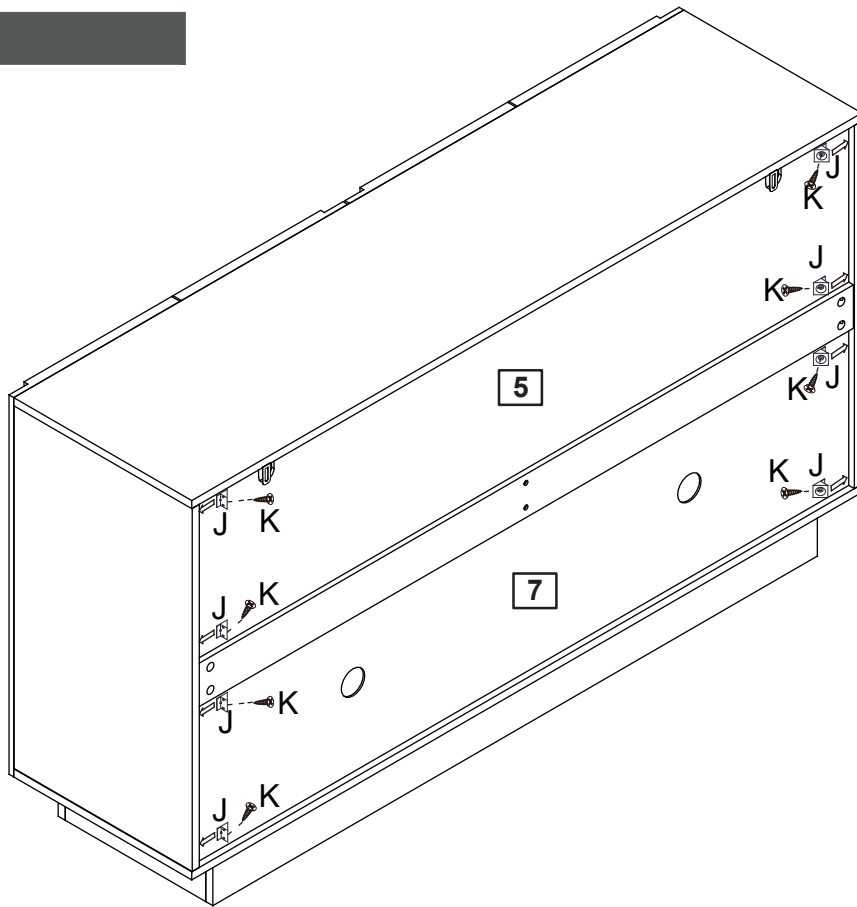
Step 14



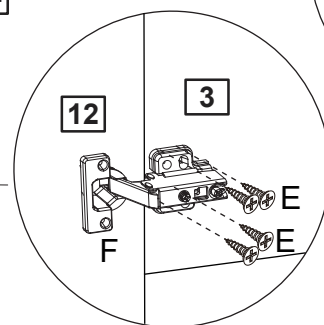
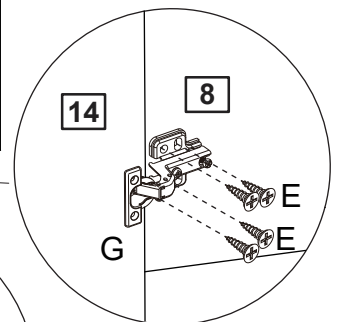
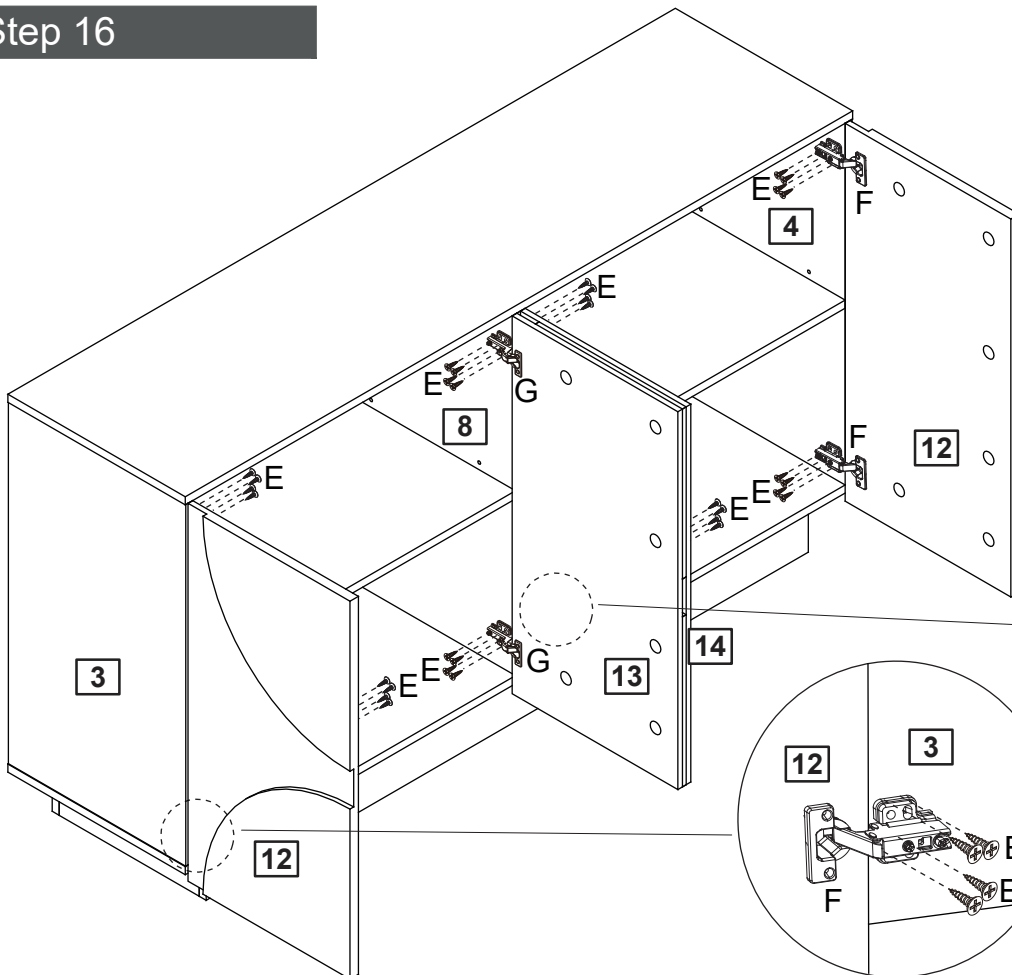
ASSEMBLY INSTRUCTION

ITEM:N715P246892

Step 15



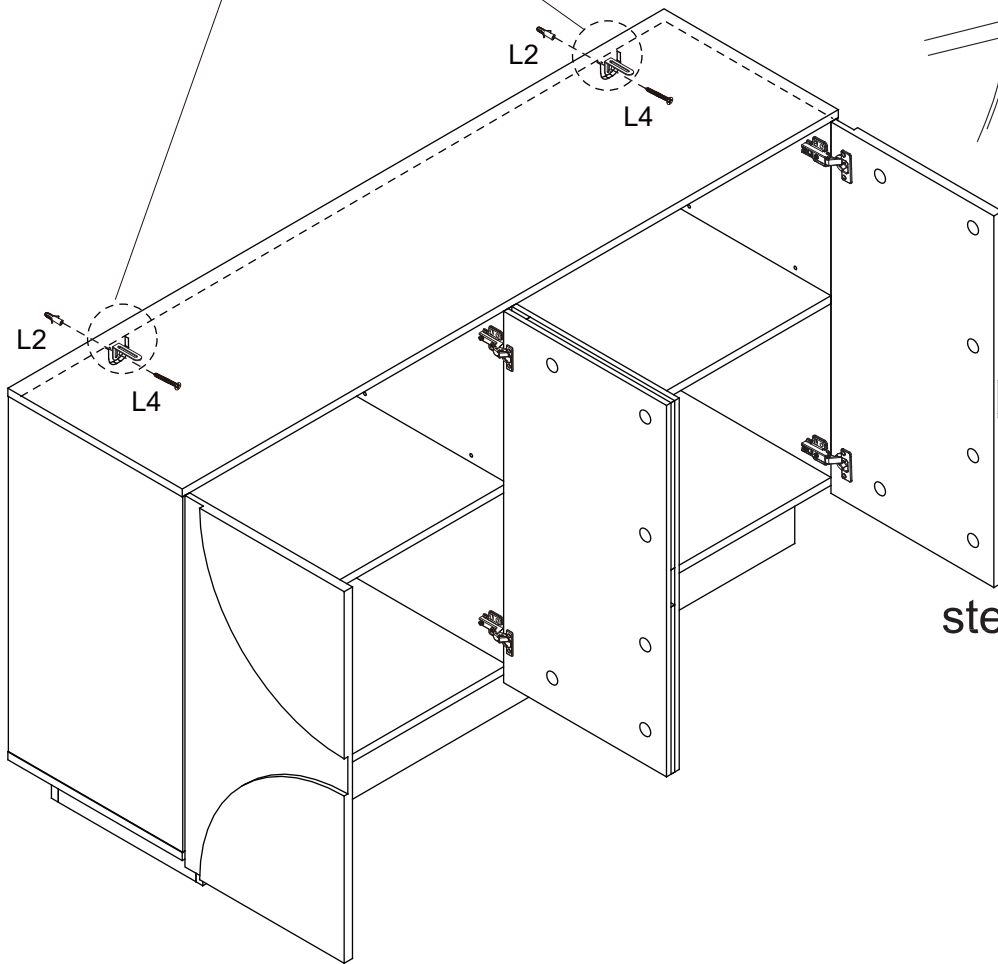
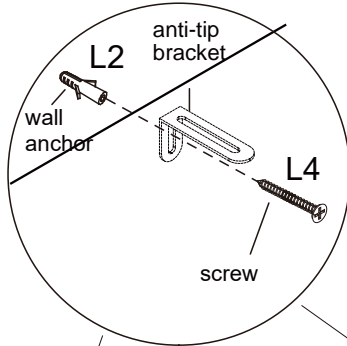
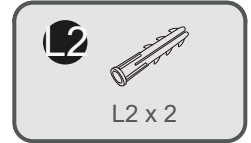
Step 16



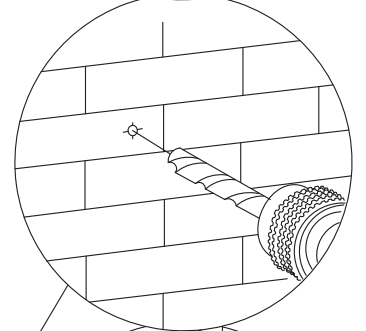
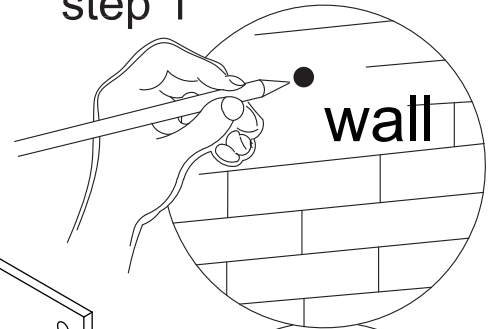
ASSEMBLY INSTRUCTION

ITEM:N715P246892

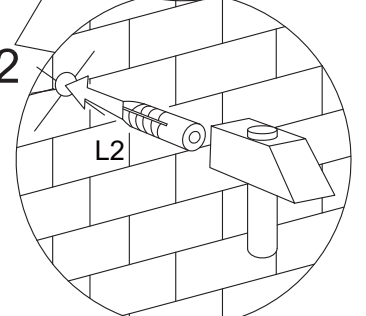
Step 17



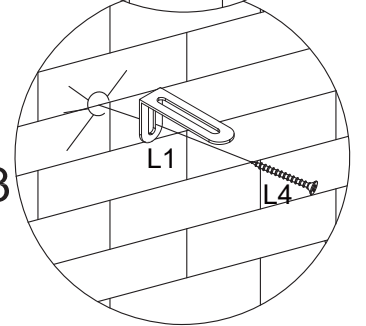
step 1



step 2



step 3



ASSEMBLY INSTRUCTION

ITEM:N715P246892

Step 18

