

# INSTALLATION GUIDE

## WARNINGS AND CAUTIONS

Released Date:2025-12

### READ AND SAVE THESE INSTRUCTIONS

Please read and understand this entire manual before attempting to assemble, install or operate the product.

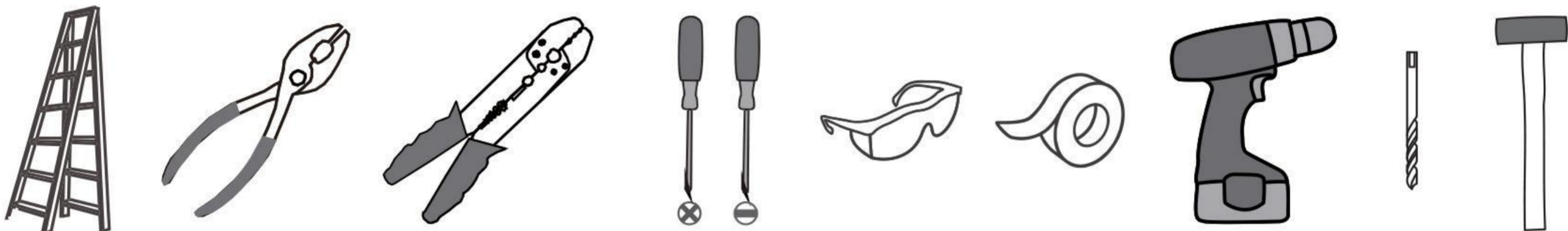
#### WARNING

- RISK OF ELECTRIC SHOCK - Before beginning installation, turn off electricity at the circuit breaker box or the main fuse box.
- RISK OF FIRE - Use bulbs specified by the markings and/or labels on the fixture.
- RISK OF PERSONAL INJURY - DO NOT bend the blades when installing the fan, or cleaning the fan. Do not insert foreign objects in between rotating fan blades.
- RISK OF FIRE, ELECTRIC SHOCK, OR PERSONAL INJURY - mount to outlet box marked and use mounting screws provided with the outlet box.
- All set screws must be checked, and re-tightened where necessary, before installation.
- After making the wire connections, the wires should be spread apart with the grounded conductor and the equipment-grounding conductor on one side of the outlet box and the ungrounded conductor on the other side of the outlet box.

#### CAUTION

- For your safety, read instructions completely before beginning installation.
- If in doubt about electrical installation, consult a licensed electrician.
- Disconnect fixture from the power source before replacing bulbs or cleaning. Make sure the bulbs are given sufficient time to cool before removing.

#### TOOLS REQUIRED



#### CARE AND MAINTENANCE

- Wipe clean using soft, dry cloth or static duster. Always avoid using harsh chemicals and abrasives to clean fixture as they may damage the finish.

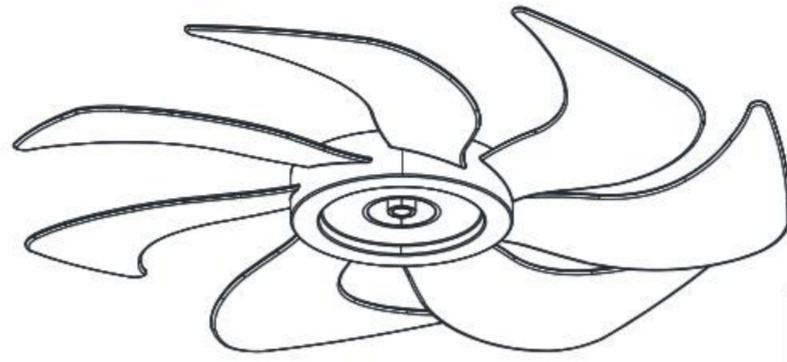
# PACKAGE CONTENTS



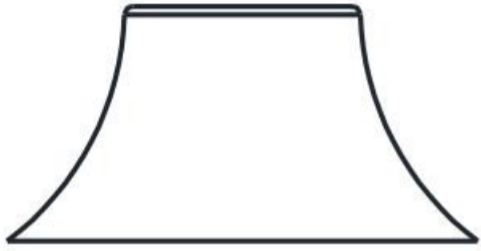
**A** 4.92" Rod Assembly  
x 1



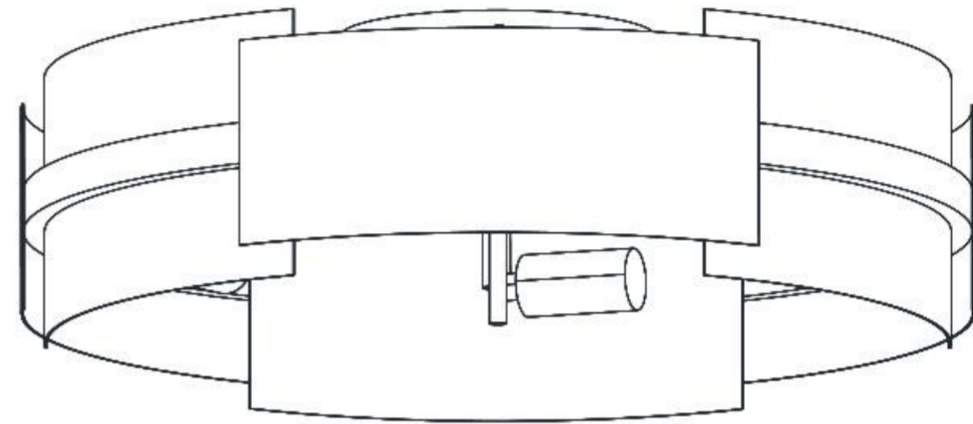
**F** Blade Assembly Nut  
x 1



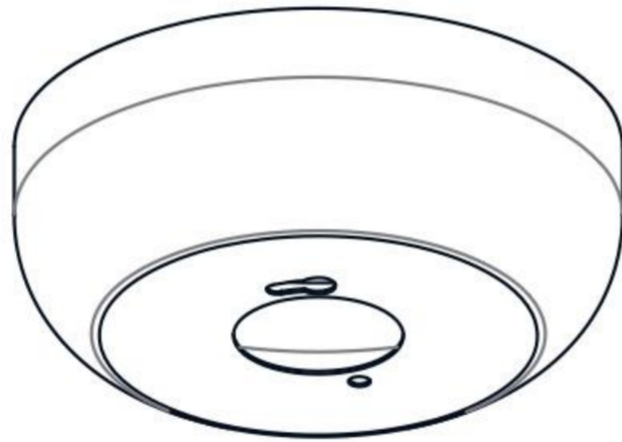
**G** Fan Blade  
x 1



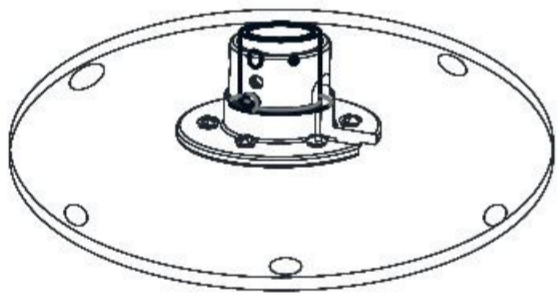
**C** Ceiling Canopy Cap  
x 1



**H** Fixture Body  
x 1



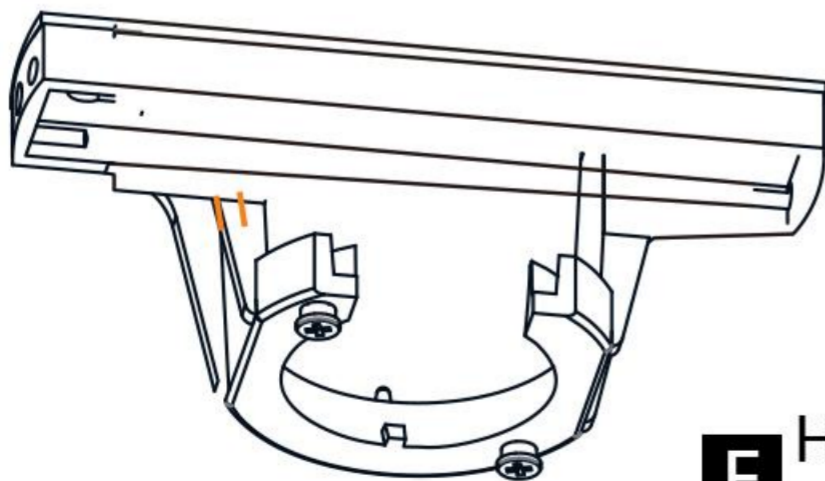
**B** Ceiling Canopy  
x 1



**D** Motor Cap  
x 1



**J** 7.87" Rod Assembly  
x 1

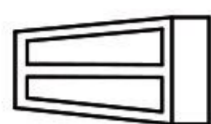


**E** Hanger Frame  
x 1

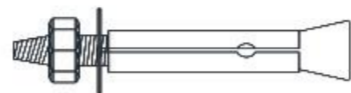
## PACKAGE CONTENTS (PARTS BAG 1)



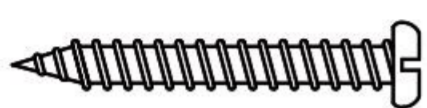
NOTE: Hardware not shown to actual size.



**AA** Wire Connector  
x 4



**DD** Anchor Bolt  
x 2



**BB** Screw  
x 4



**EE** Mechanical Screw  
x 2



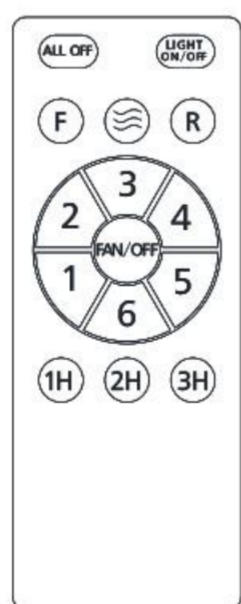
**CC** Wall Anchor  
x 4

## PACKAGE CONTENTS (PARTS BAG 2)

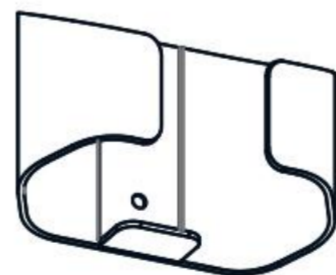


**KK** Dental tubes and iron  
components  
x 2

## PACKAGE CONTENTS (PARTS BAG 3)



**MM** Remote Control  
x 1



**OO** Wall Bracket  
x 1



**PP** Screw  
x 2

# INSTALLATION

## 1 Choose Suitable Downrod

**1** Remove the screws from the downrod hanger ball

**2** Remove pin from downrod

**3** Attaching the hanger ball to the Long downrod

**4** Move all the pins from the short downrod to the long downrod

**5** Finish

## 2 Install Downrod to Fixture Body

**1** Steps 1-2 to remove pin

**2** Steps 1-2 to remove pin

**3** Install ceiling canopy & ceiling canopy cap

**4** Remove set screws on fixture body

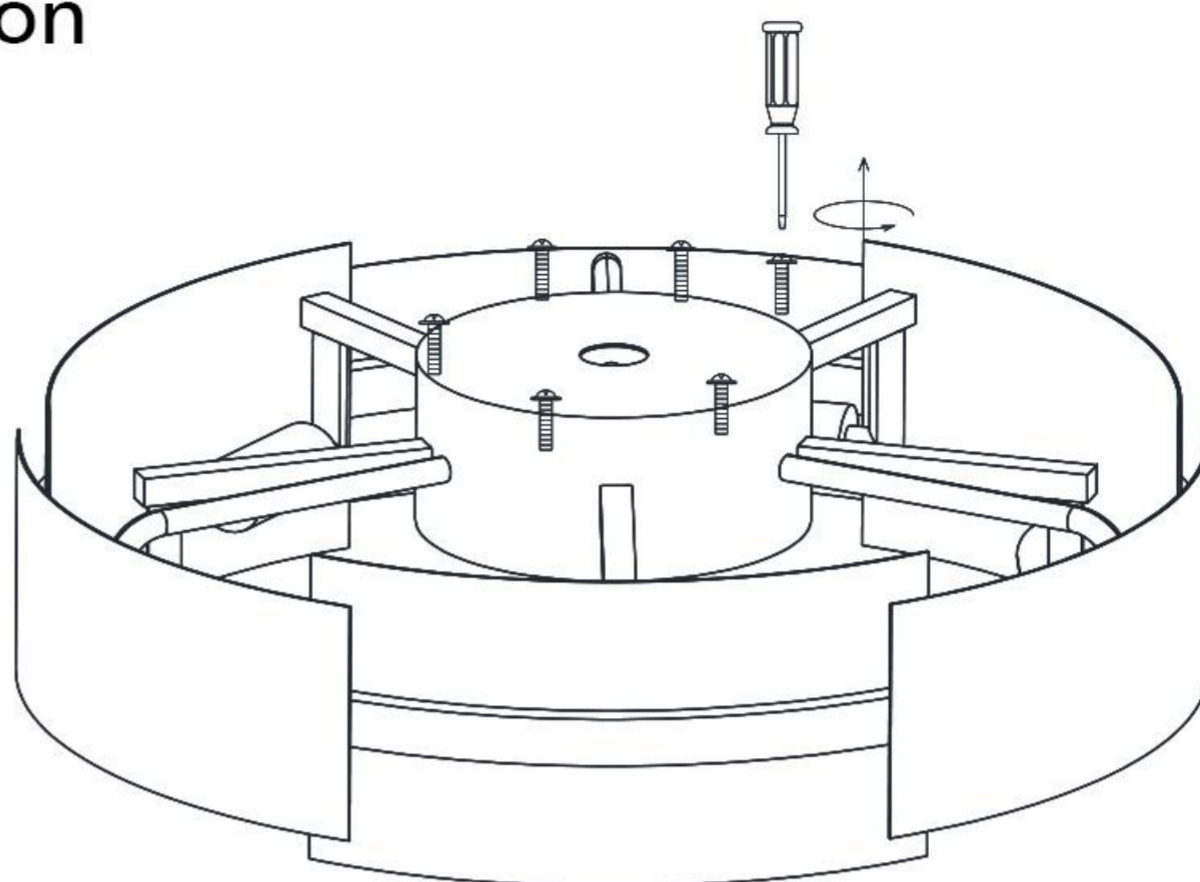
**5** Install rod

**6** Install pin

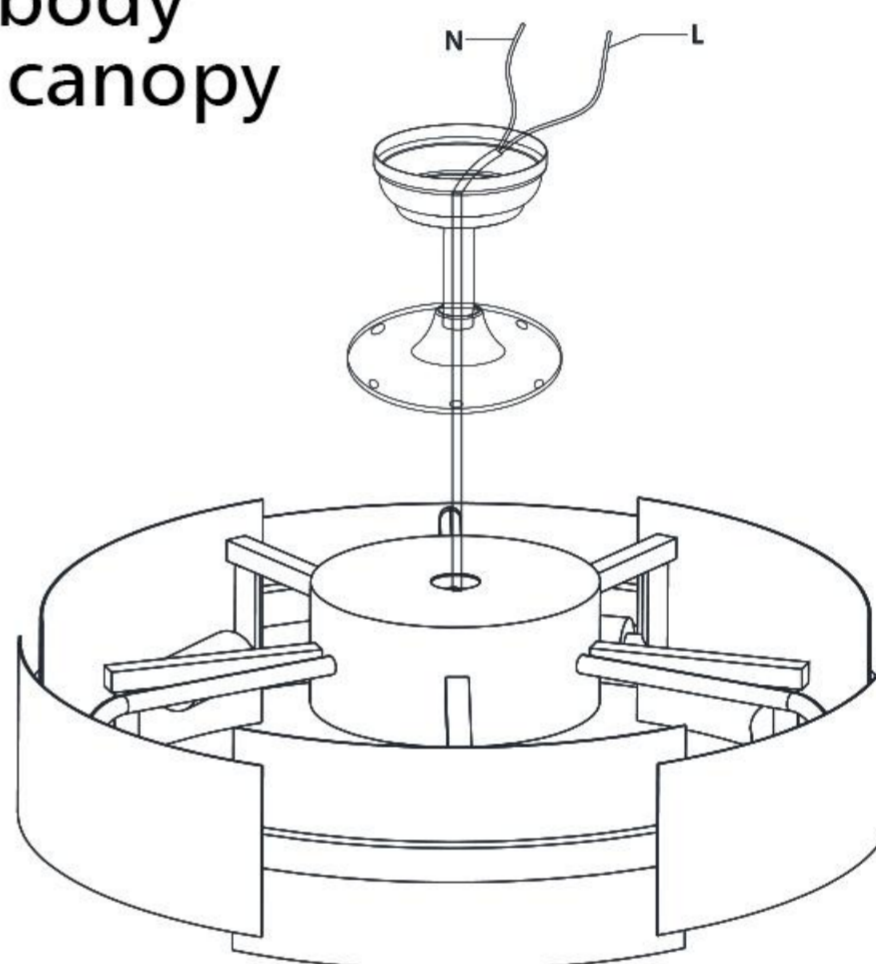
**7** Install set screws

## INSTALLATION

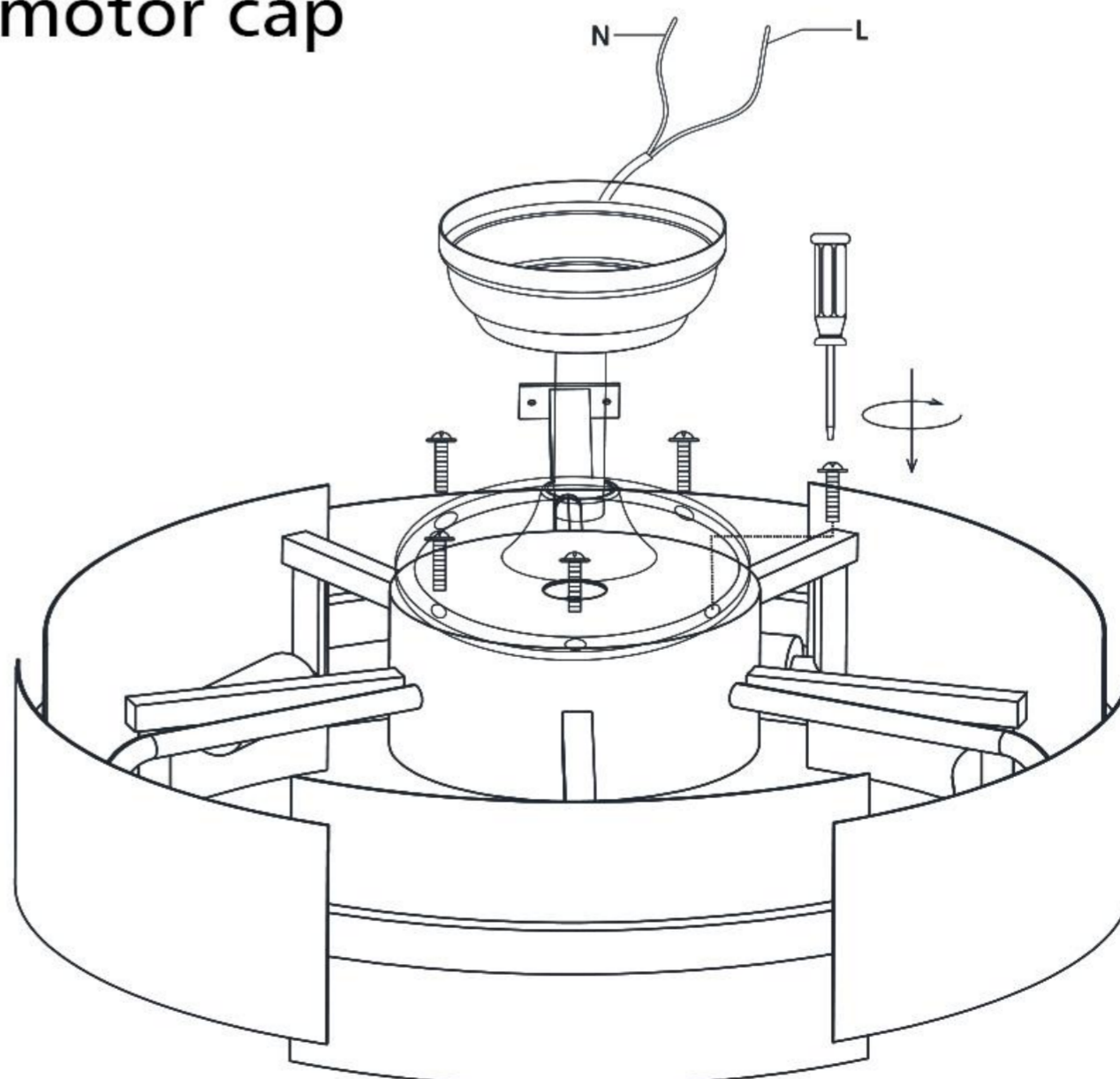
- 3** Remove the set screws on the fixture body



- 4** Thread the wires from the fixture body through the downrod and ceiling canopy

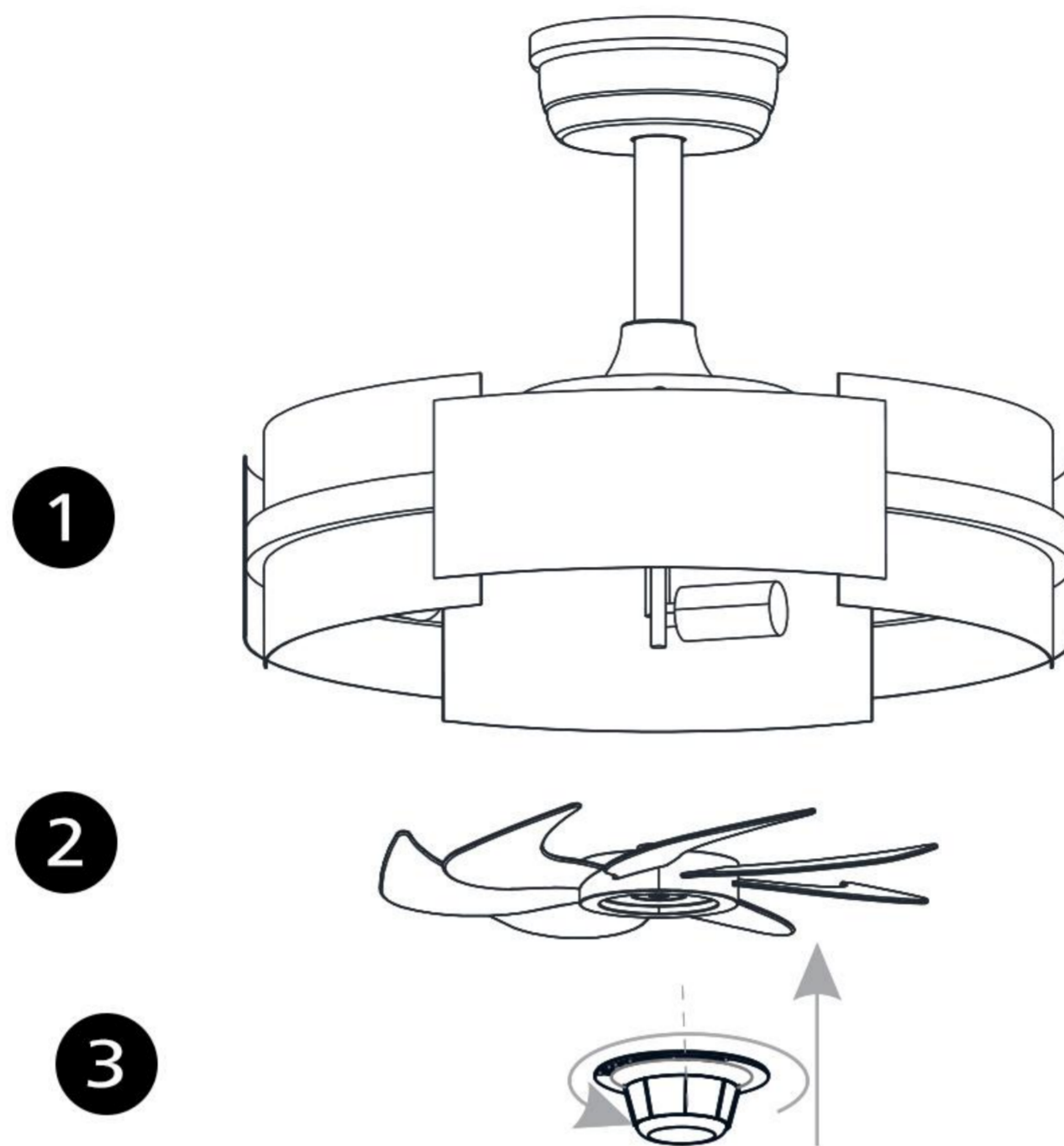


- 5** Install the screws into the motor cap



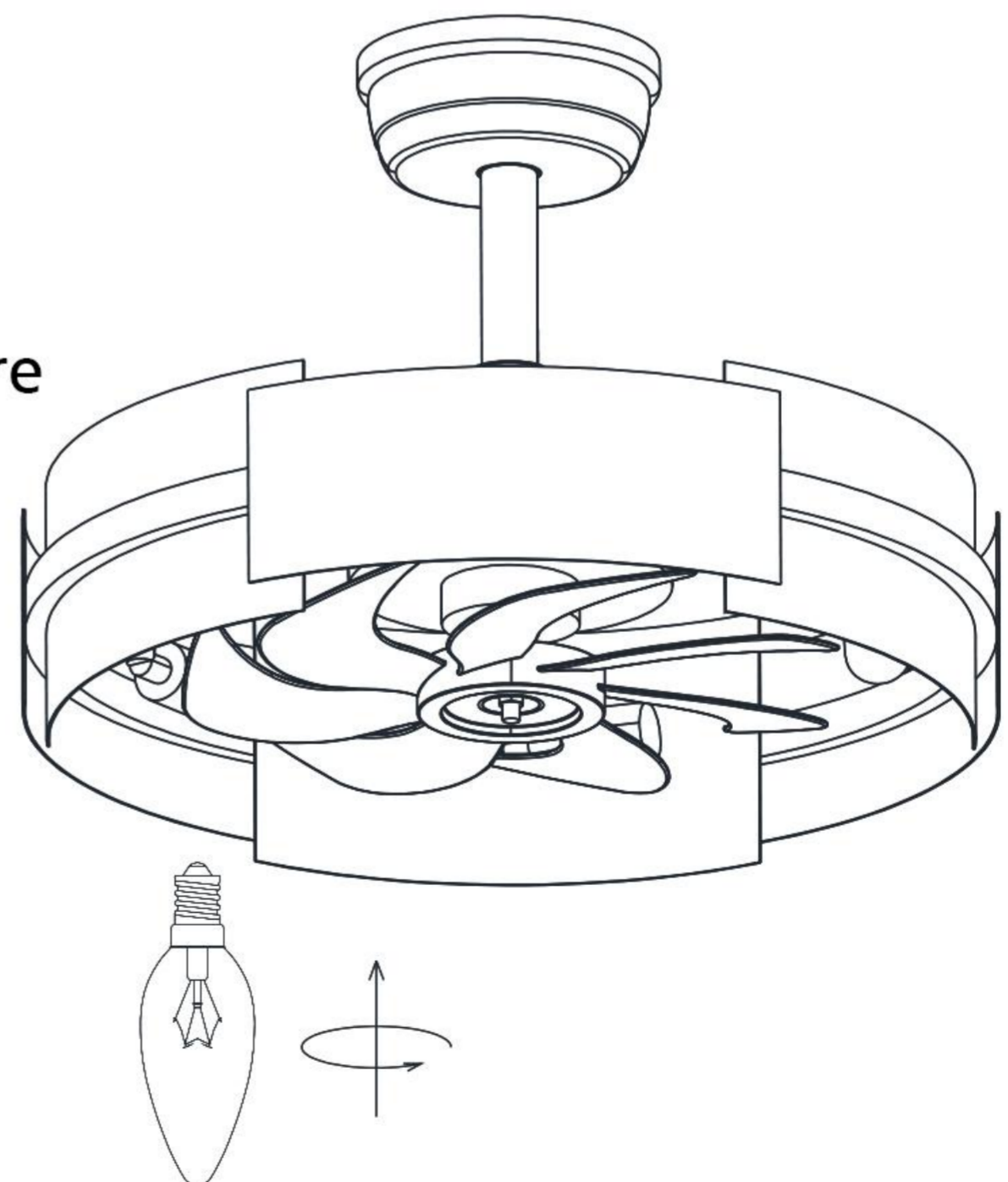
## INSTALLATION

### 6 Install Fan Blade



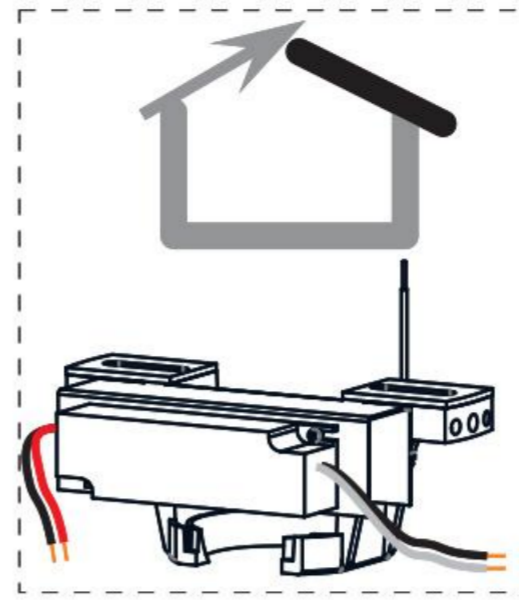
### 7 Install Bulbs

Install 5 correct light bulbs according to the fixture markings or labels for maximum wattage. Before installing the bulb, rotate the lamp base 45 degrees to facilitate the installation of the bulb. If you need to change the angle, please disconnect the power supply first.



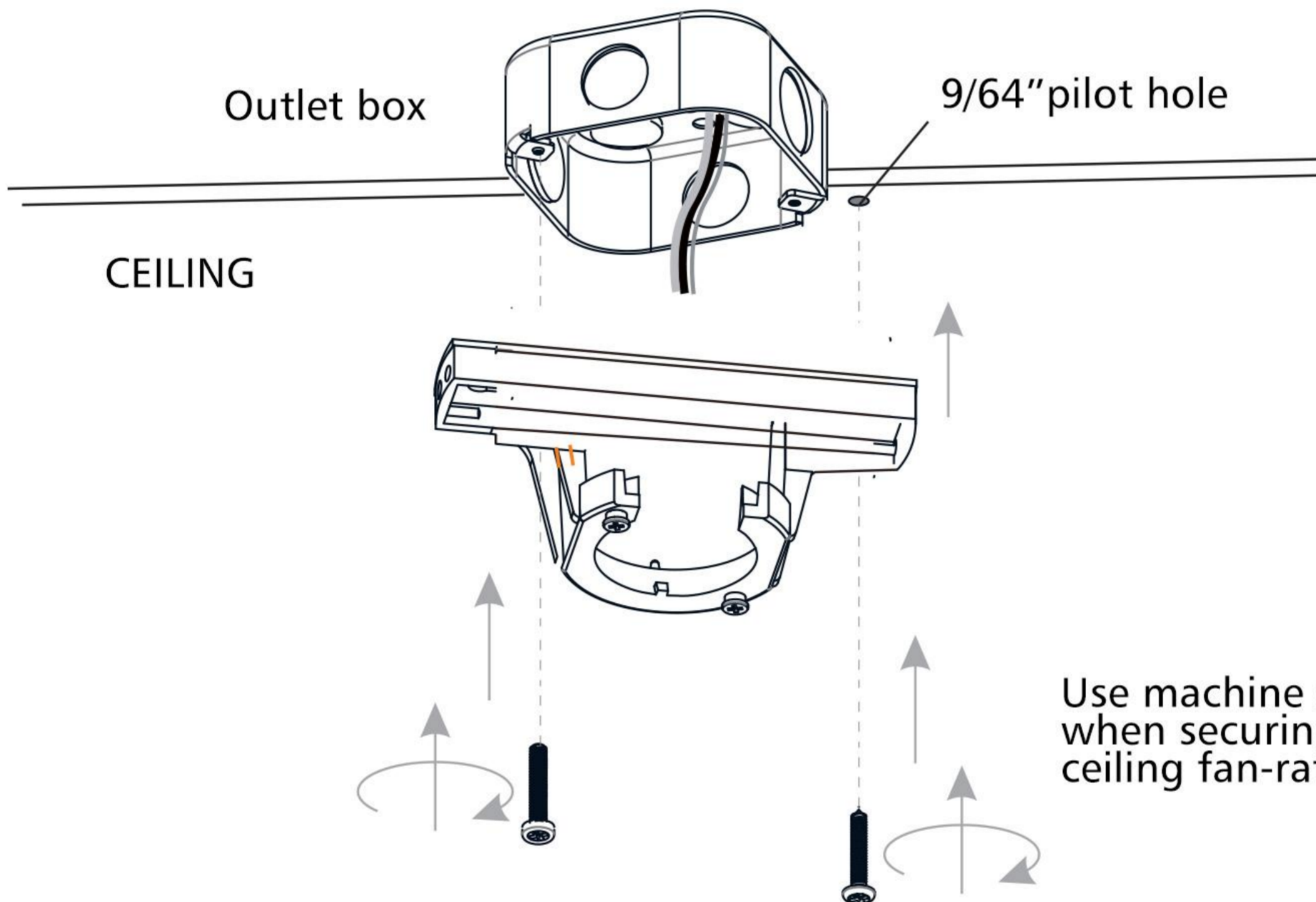
# INSTALLATION

## 8 Install Hanger Frame



This fan cannot be used for the ceiling which angle is greater than 19 degrees.

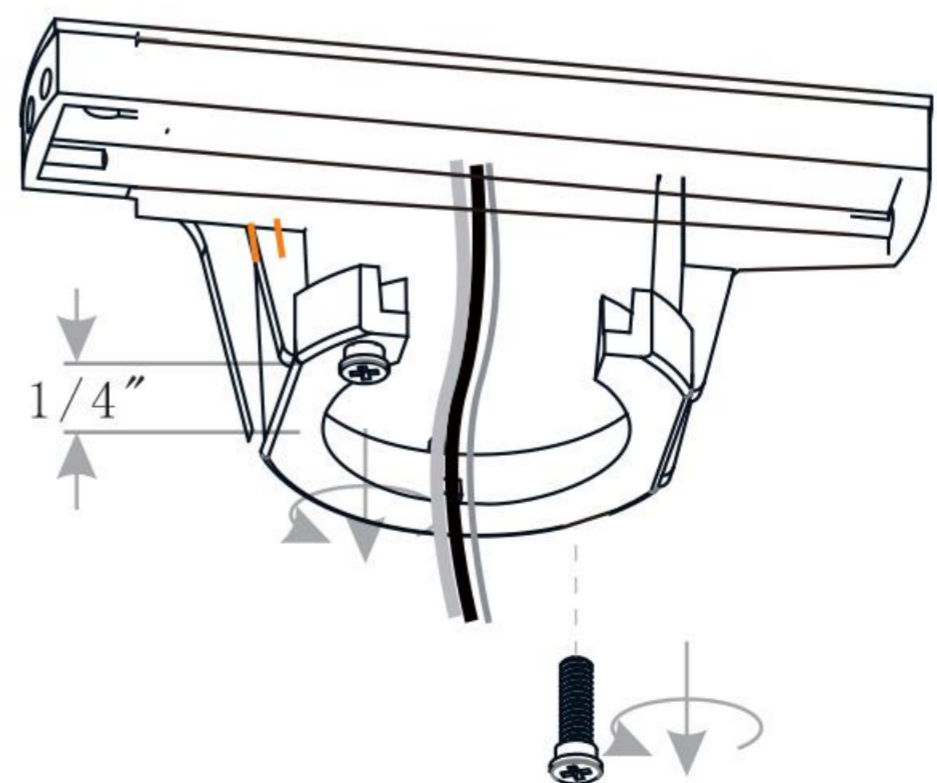
For angled ceilings, point opening toward peak.



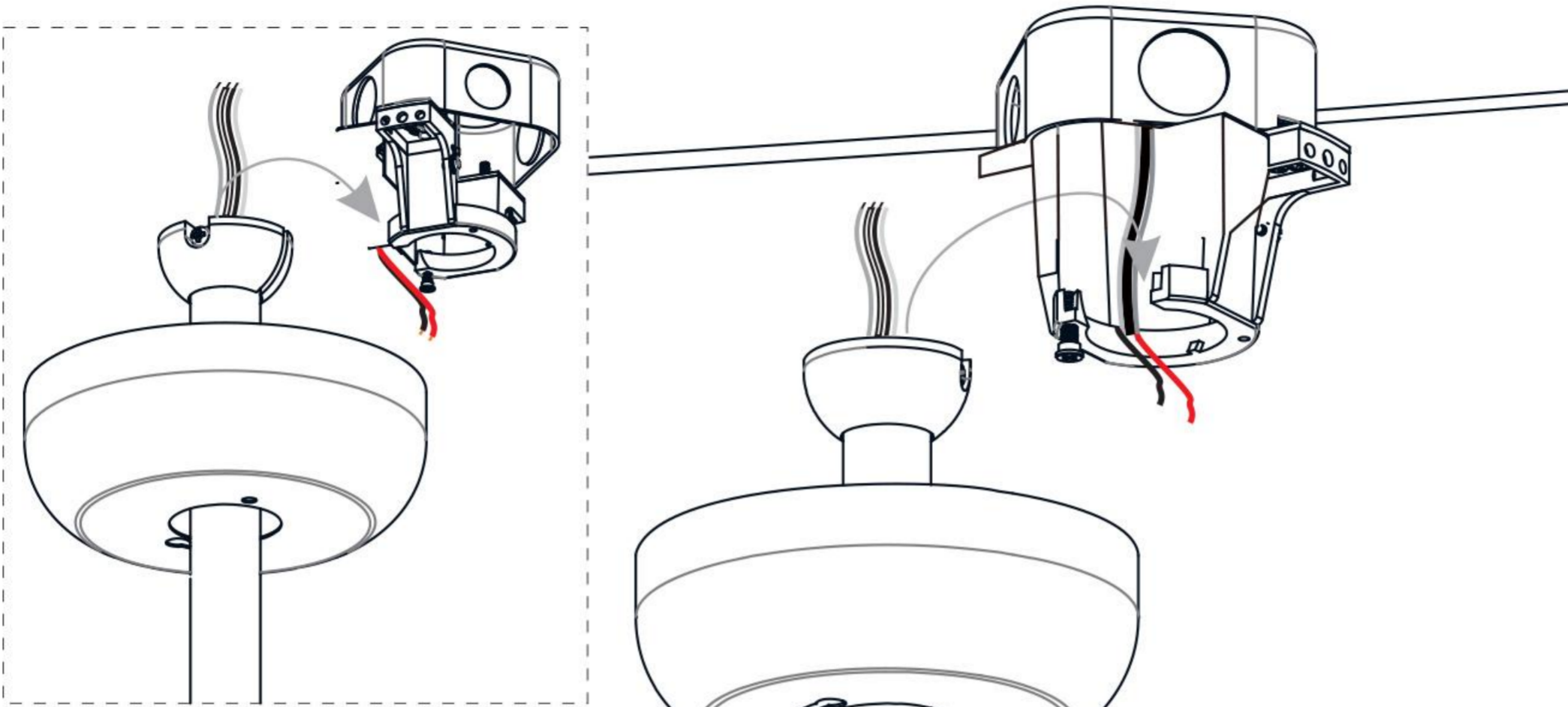
Use machine screws when securing to existing ceiling fan-rated outlet box.

## 9 Loosen Shoulder Screws

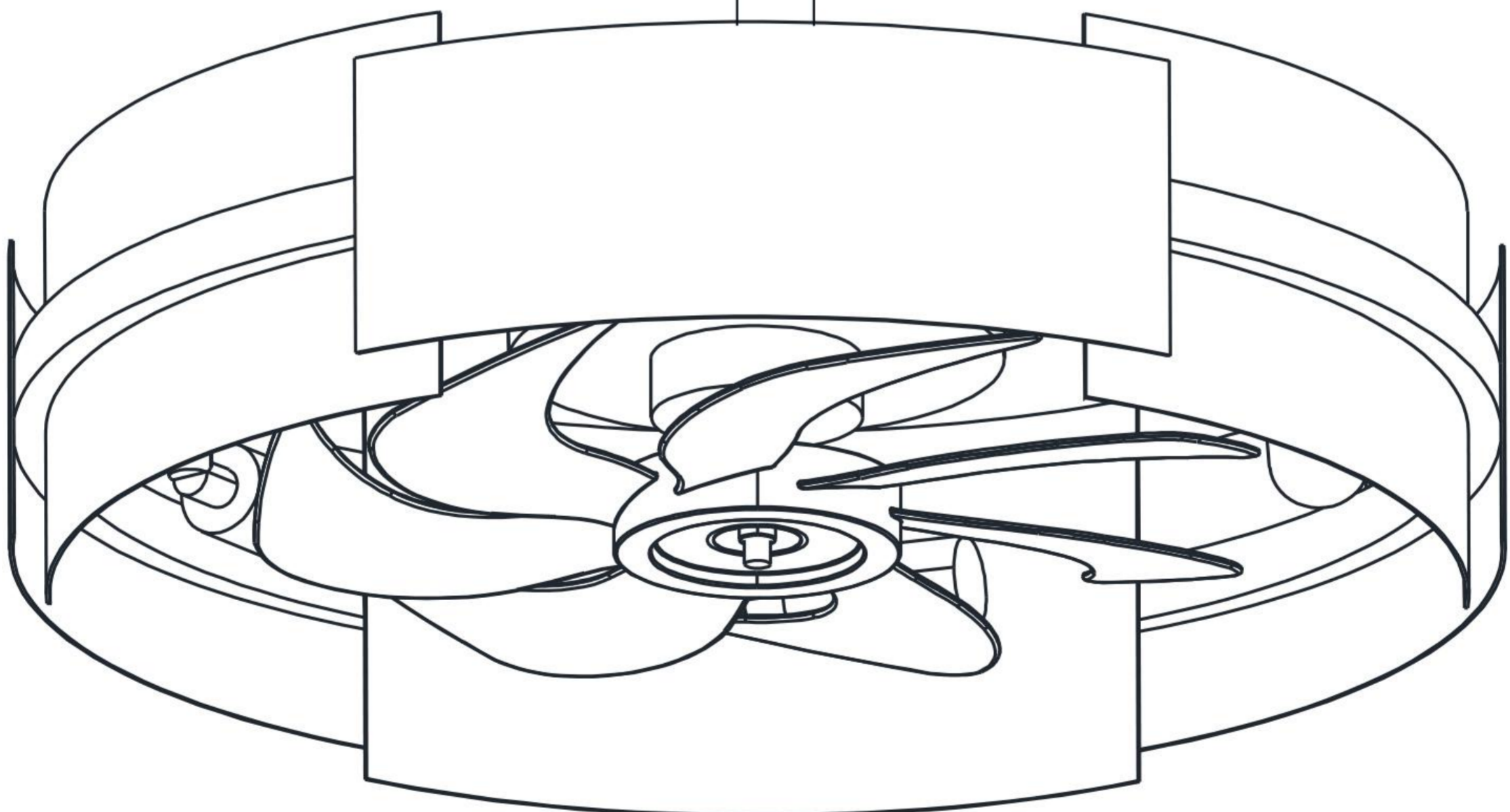
Remove one shoulder screw from hanger frame. Loosen the other shoulder screw approximate 1/4" and retain it on the hanger frame.



**10** Install Rod to Hanger Frame

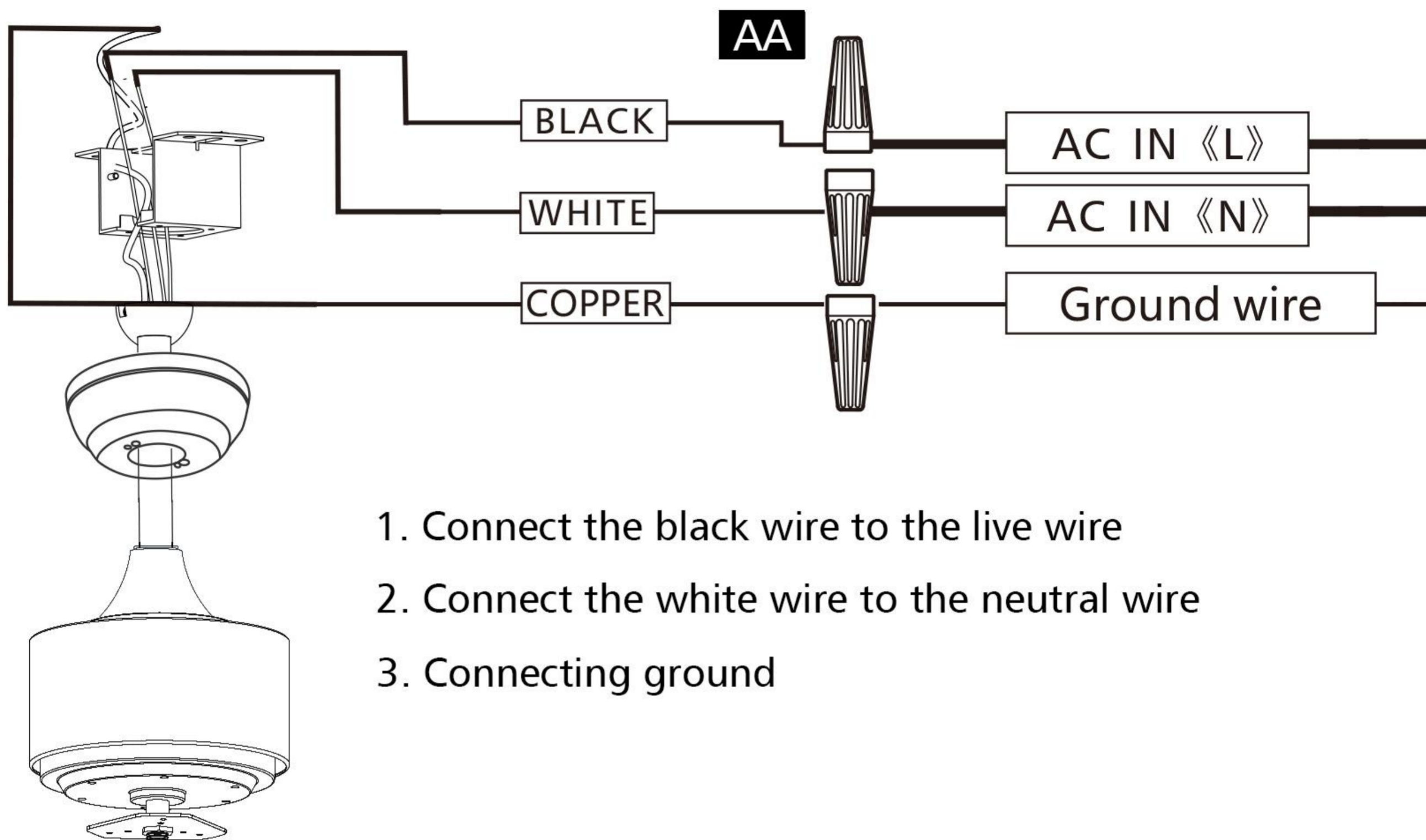


Pick the fan up by the down rod only. Place the downrod hanger ball into the slot in the hanger frame.



## INSTALLATION

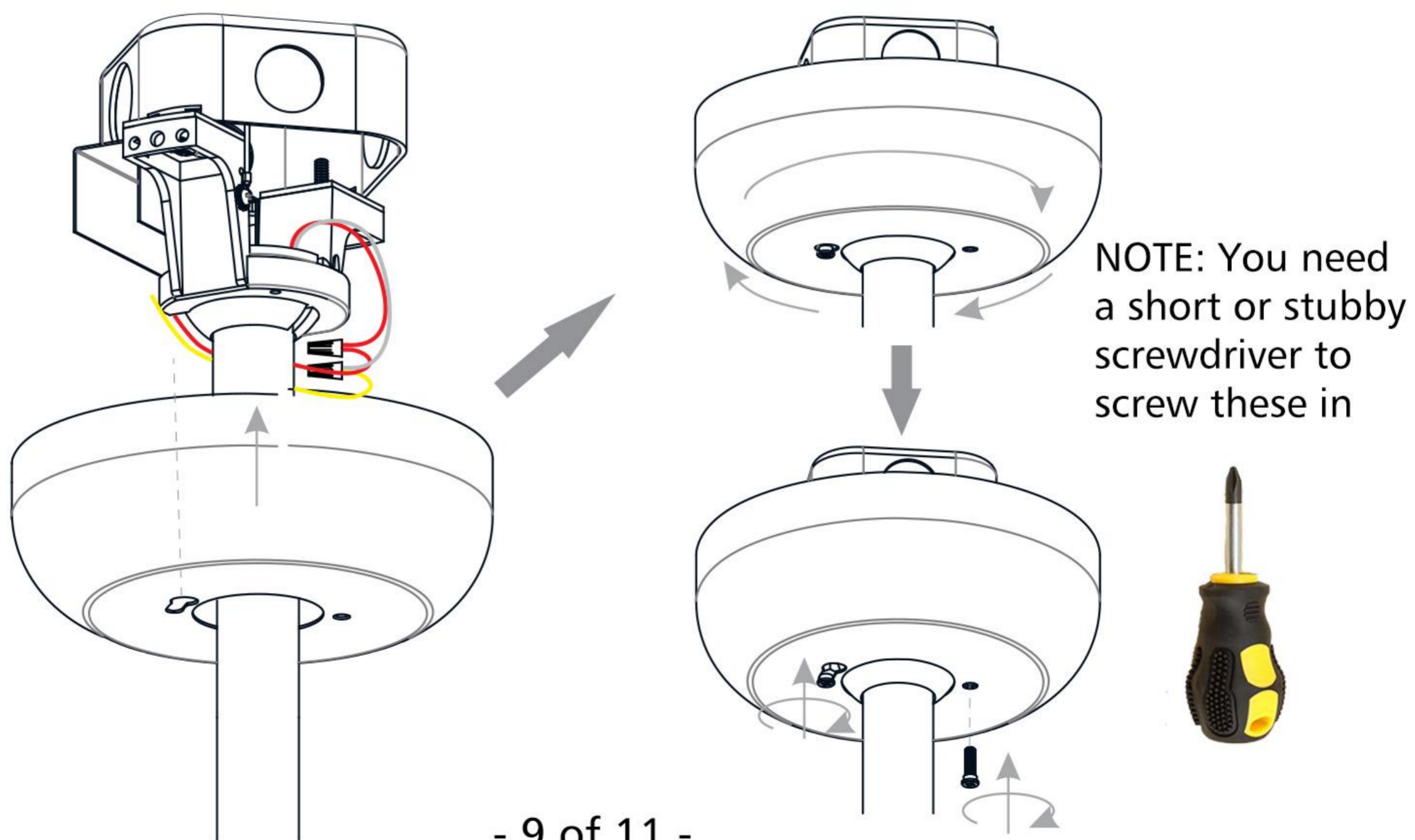
### 11 Wiring



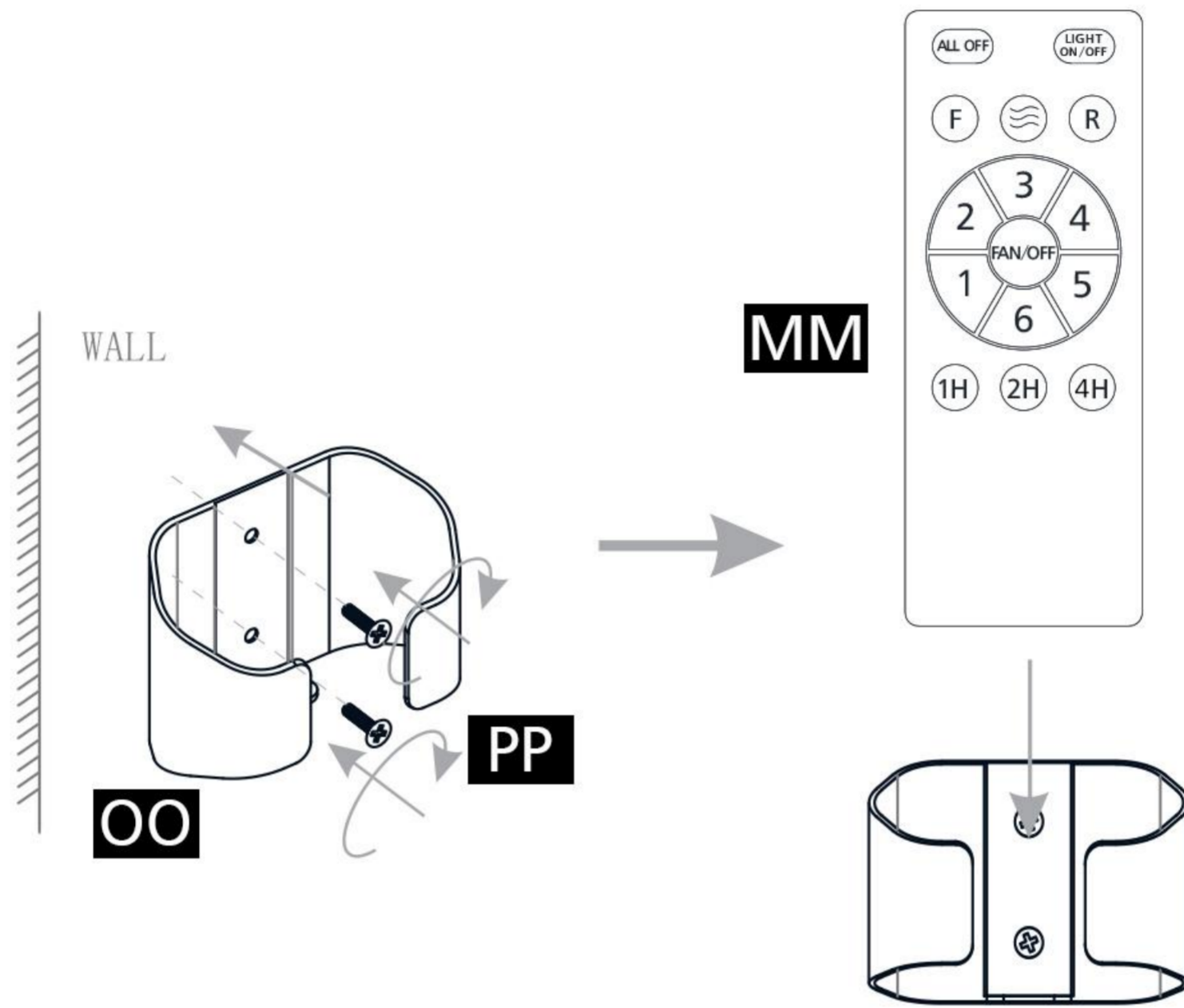
1. Connect the black wire to the live wire
2. Connect the white wire to the neutral wire
3. Connecting ground

### 12 Install Ceiling Canopy

Carefully tuck all wires inside of the ceiling canopy during installation.



**13** Install Wall Bracket

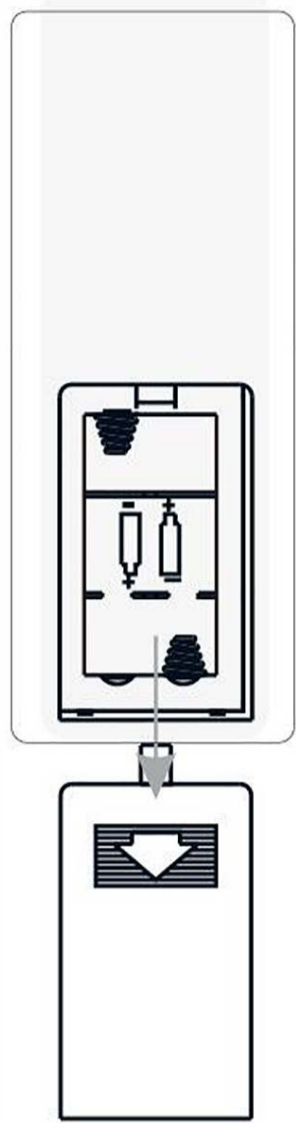
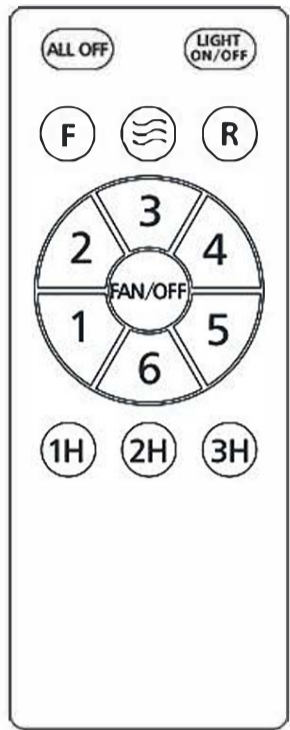


# INSTALLATION

## 14 Remote Control Instruction

1

Remove the back cover



2

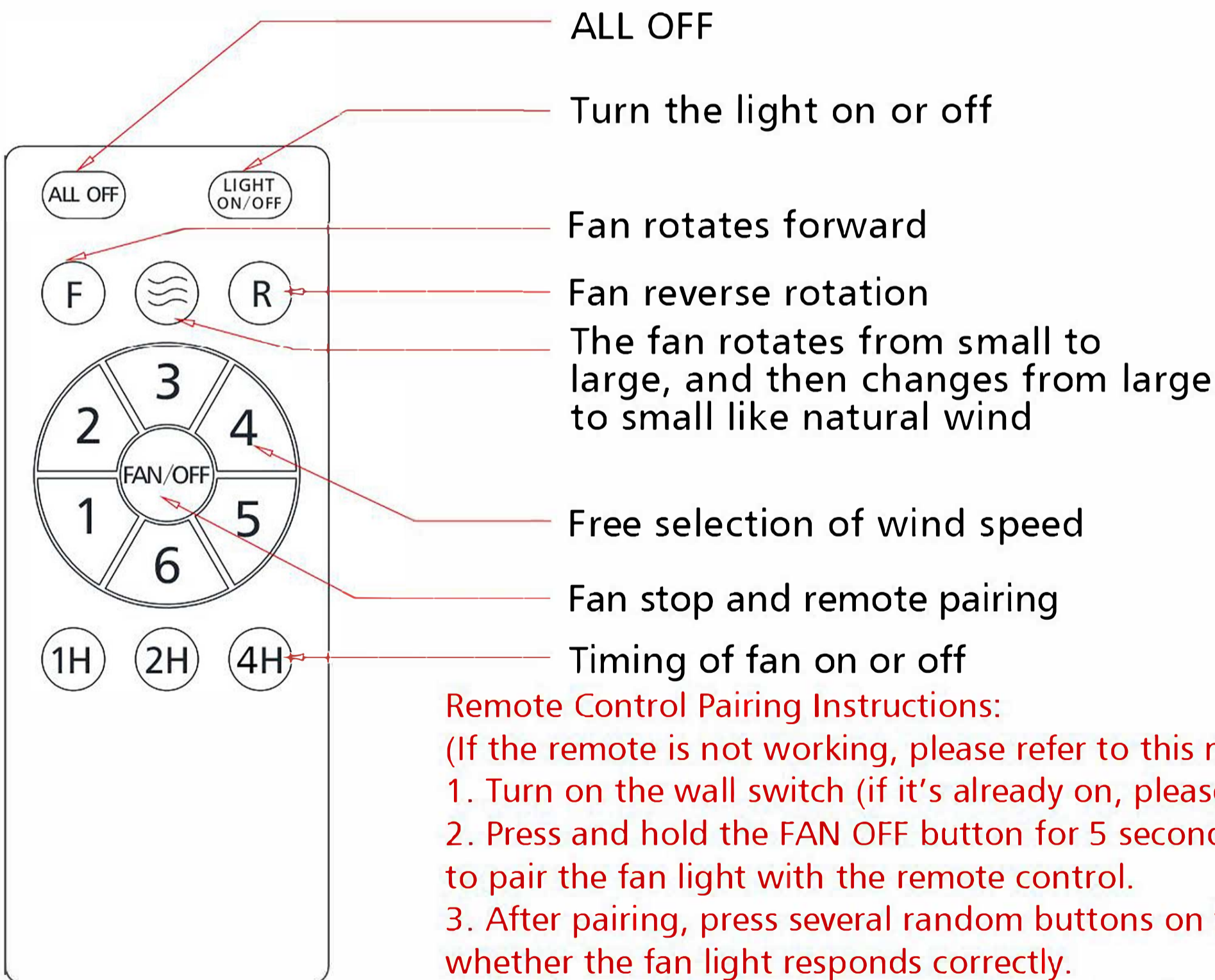
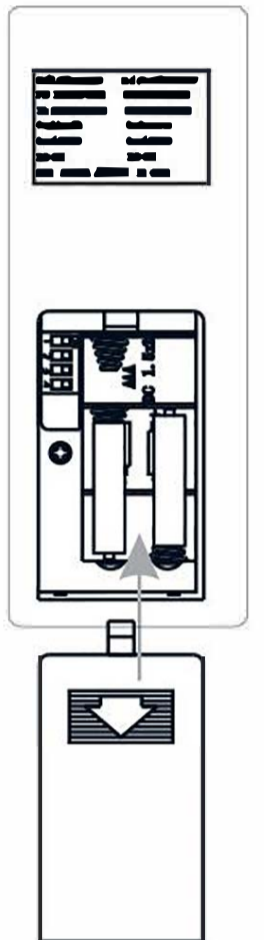
Installing the battery

AAA Batteries



3

Close the back cover



### Remote Control Pairing Instructions:

(If the remote is not working, please refer to this method)

1. Turn on the wall switch (if it's already on, please turn it off first, then back on).

2. Press and hold the FAN OFF button for 5 seconds to pair the fan light with the remote control.

3. After pairing, press several random buttons on the remote to test whether the fan light responds correctly.

Note: There will be no indication when pairing is successful.

Your installation is now complete. Save this sheet for future