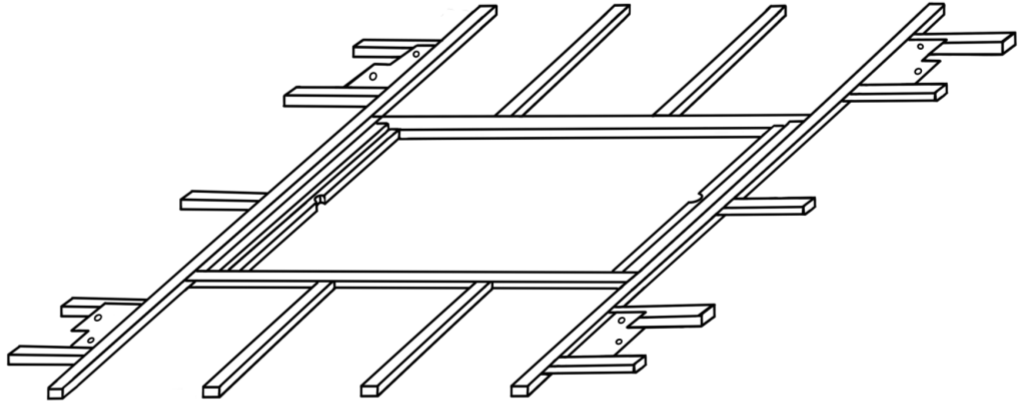
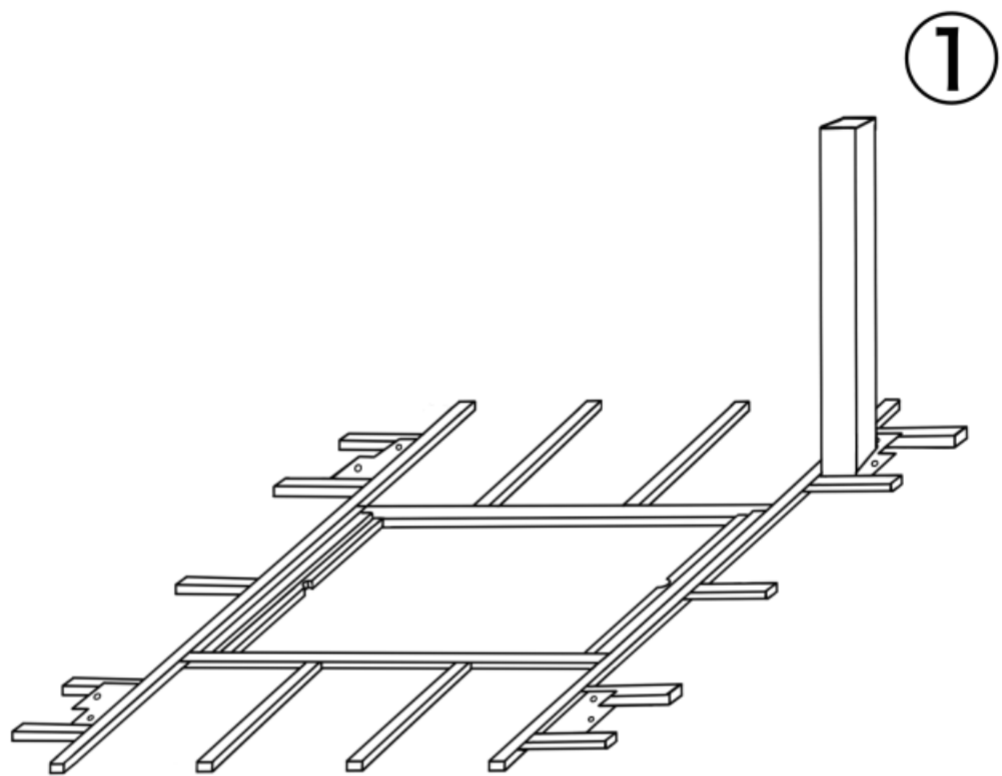
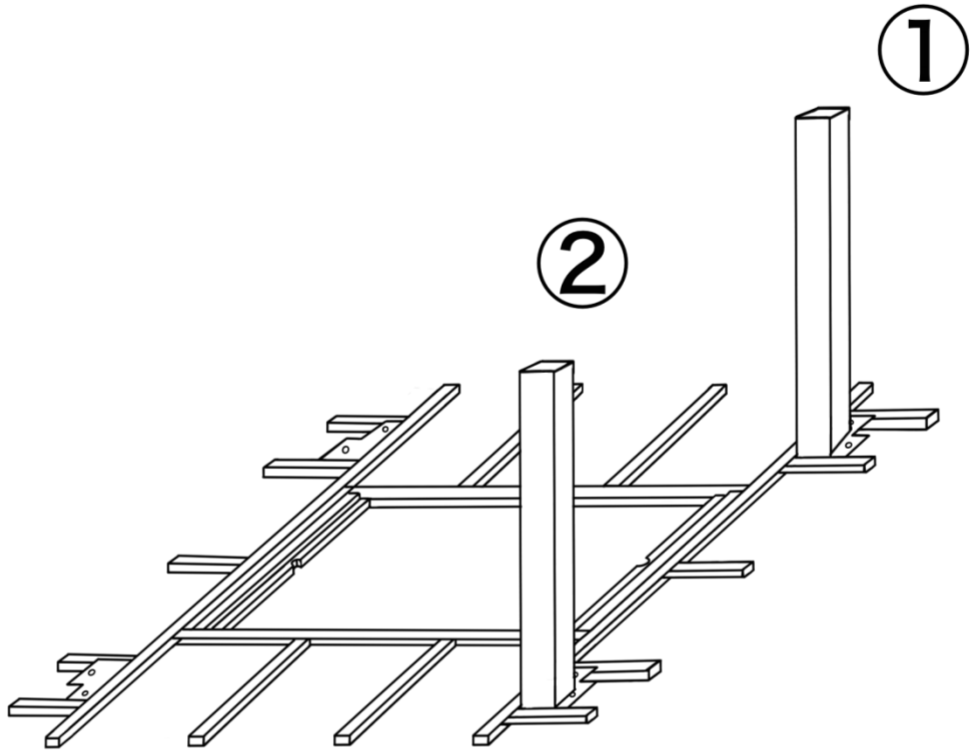


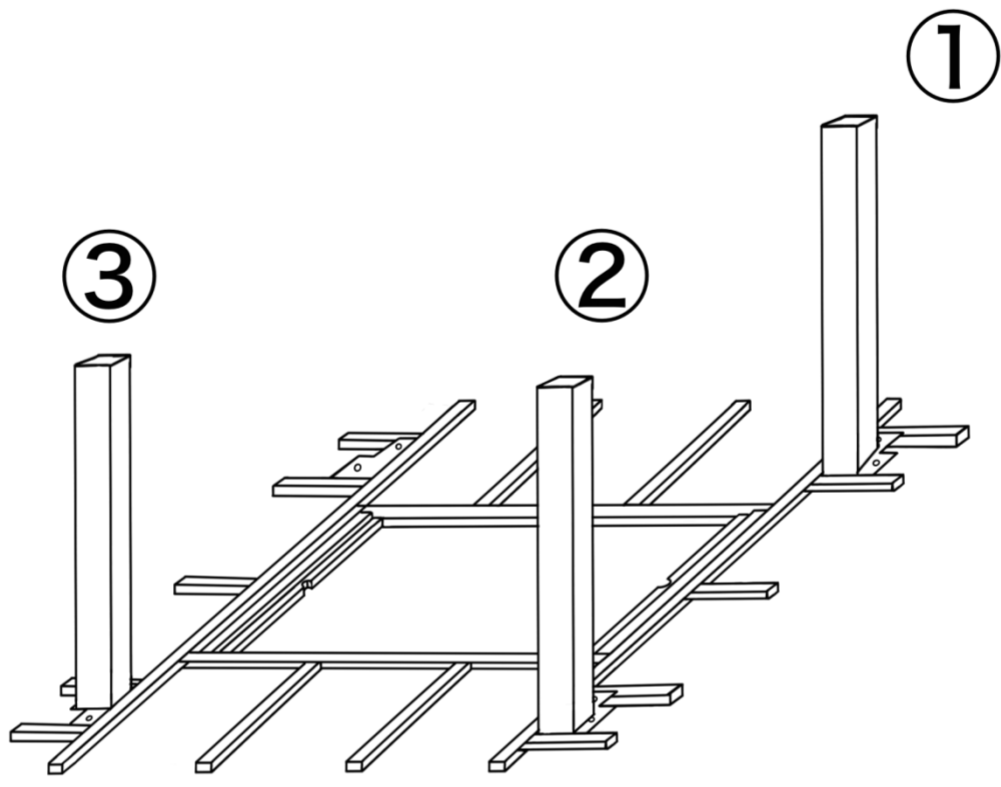
## instruction manual

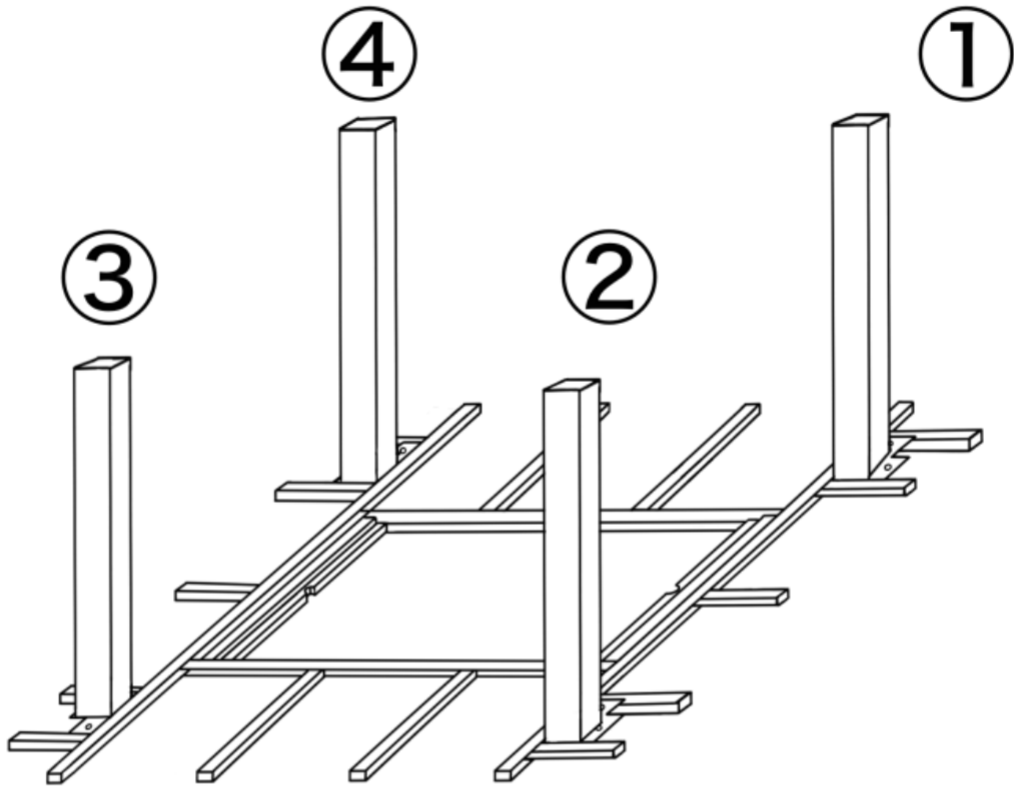


This is the desktop. First, assemble it upside down with the desktop facing down.

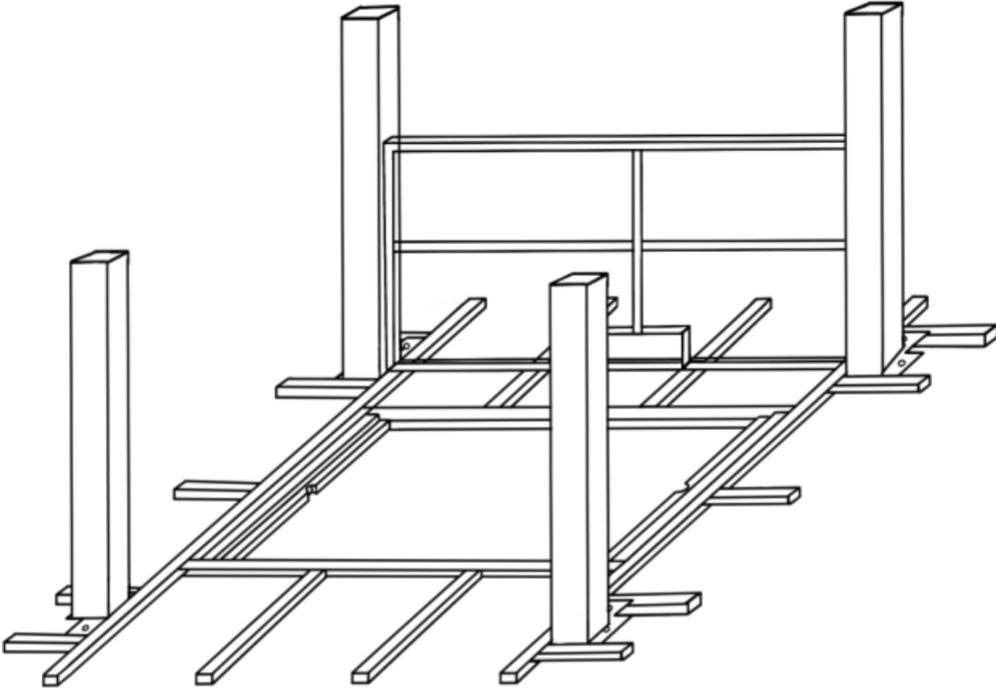


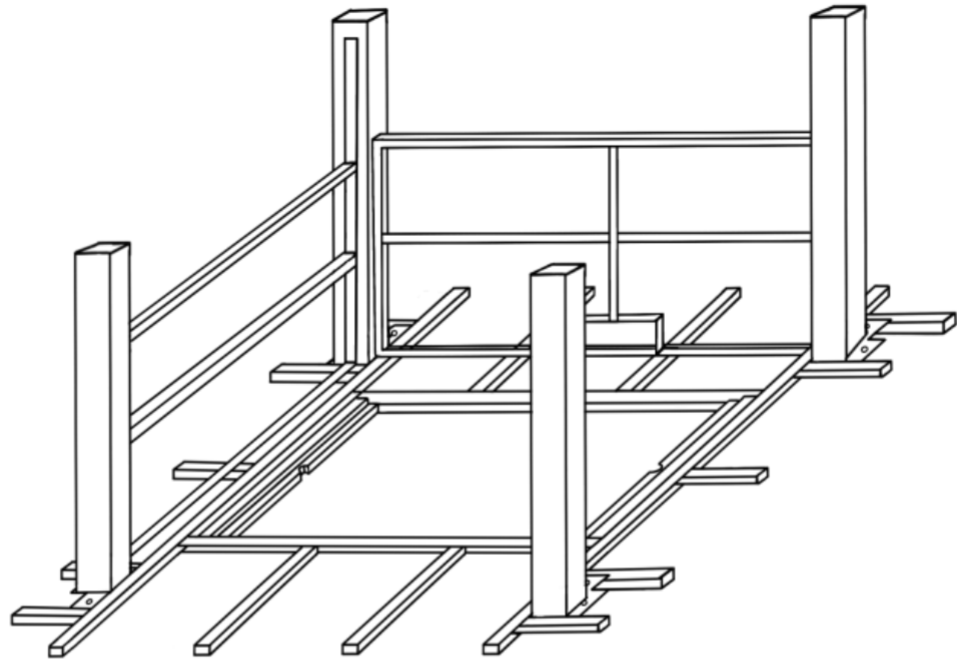


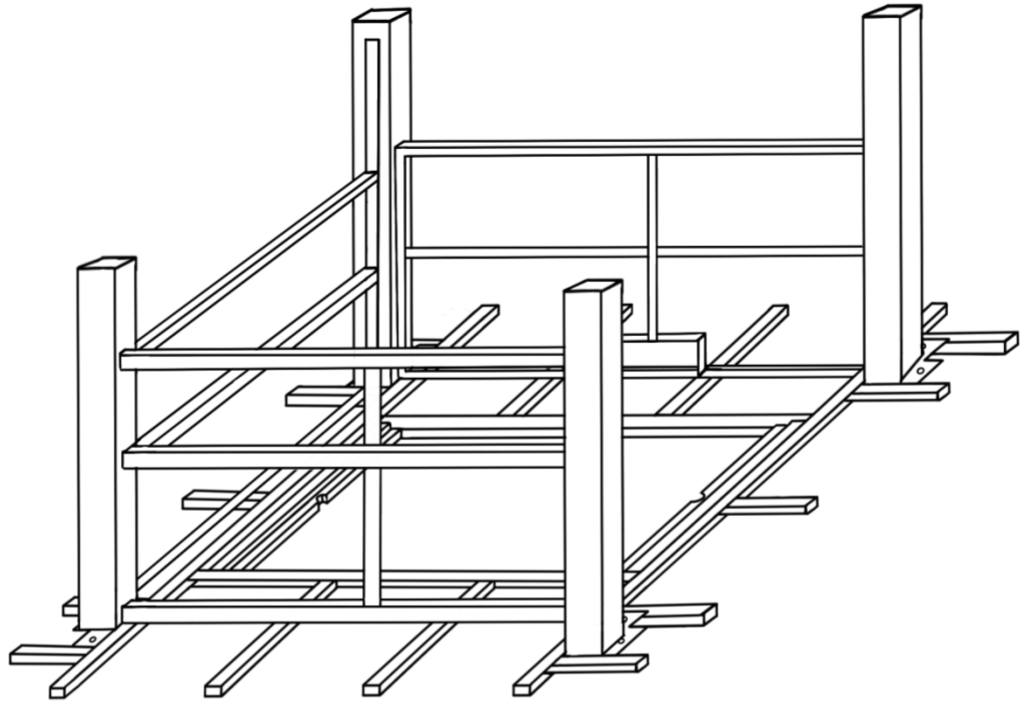


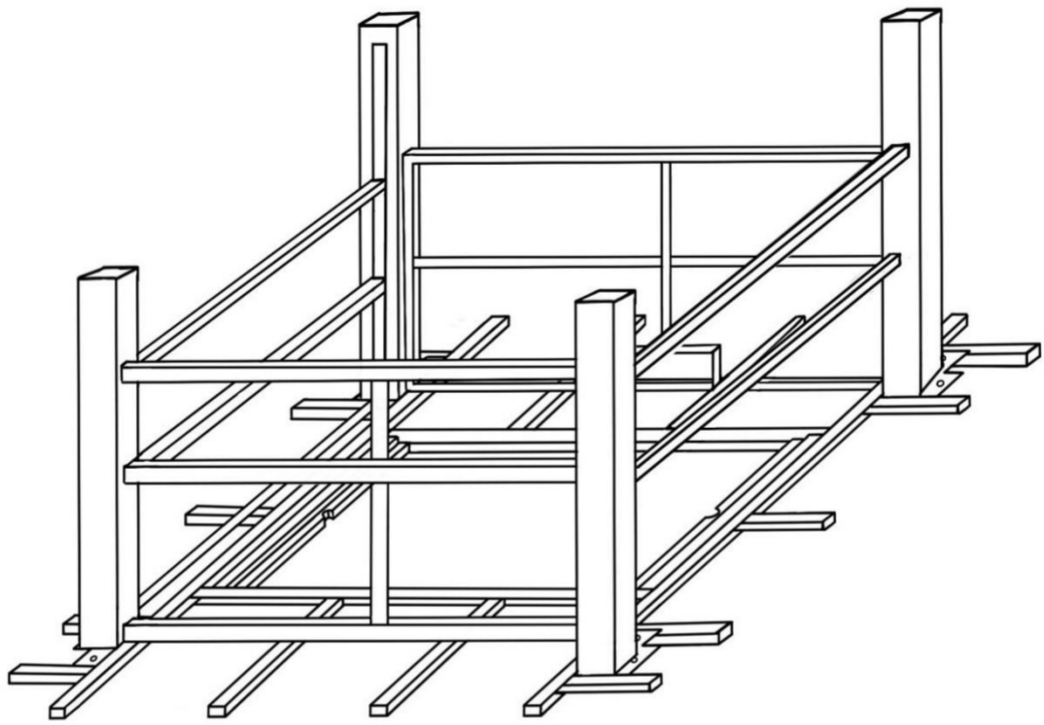


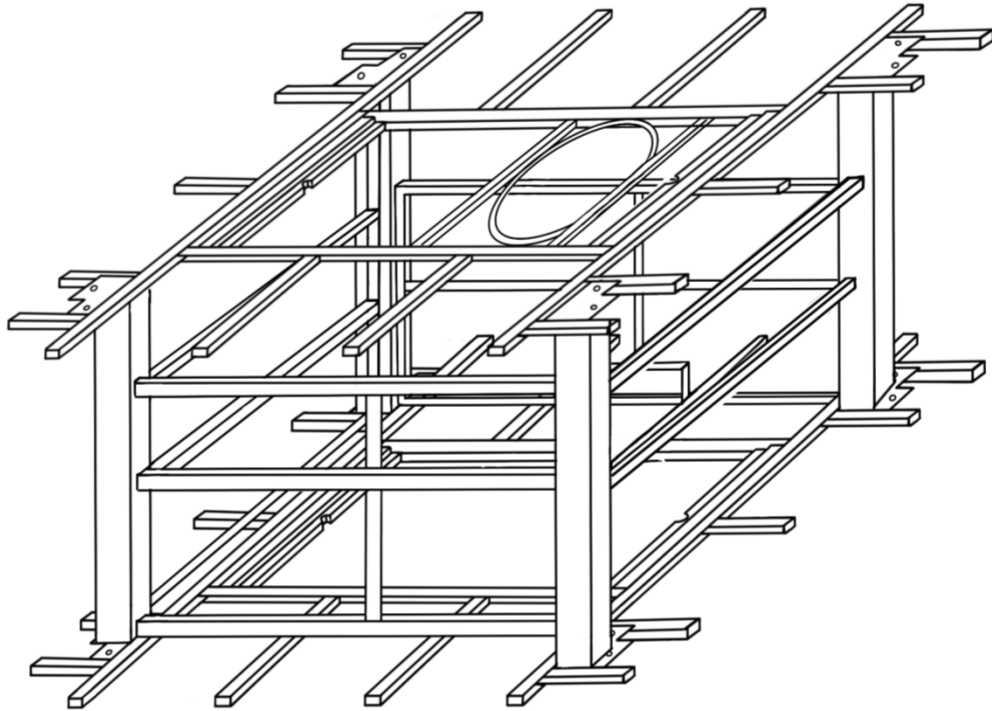
The first step is to turn the whole machine upside down with the tabletop facing down. Then, lock in the four feet marked 1, 2, 3, and 4 in sequence. Each foot has two screws for tightening.



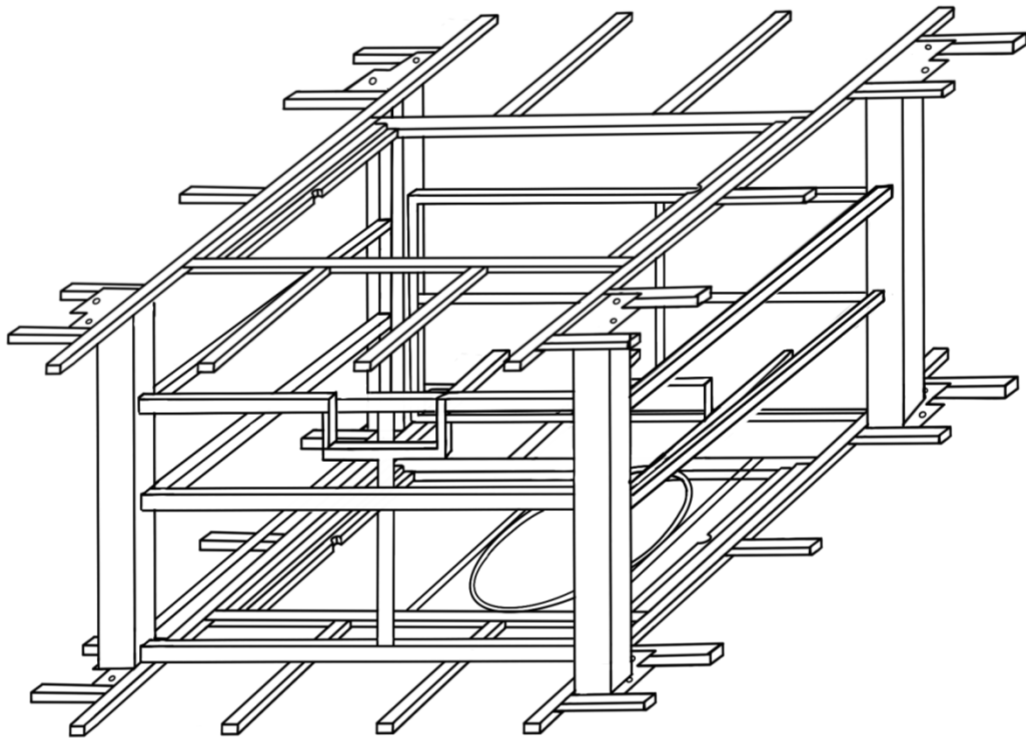




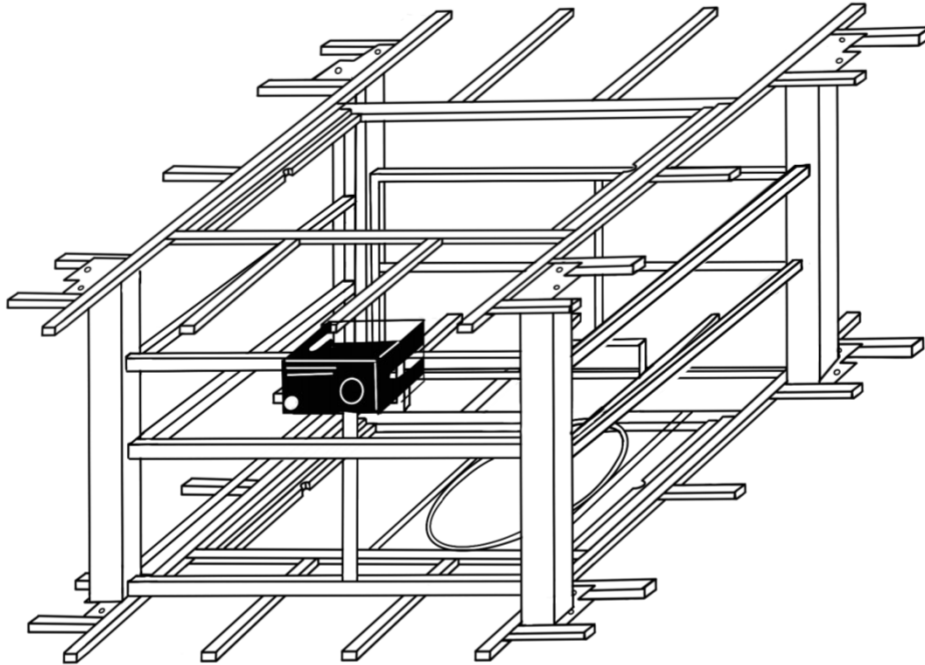




After assembling the feet, assemble the side panel. The place with a reserved space on the side panel is for placing the ignition switch. The side door is on the right side of the person facing the ignition switch. One side panel has one screw that needs to be tightened. Finally, turn the whole machine upside down, place the furnace core, and the assembly of the whole machine is completed.



At this step, it is the assembled appearance of the whole machine when it is turned over to show the front.



At this step, it is the fully assembled appearance. Finally, put the furnace core in. The furnace core has a battery. Remember that the side door is on the right side facing the furnace core. Thank you for trusting us and purchasing our product.