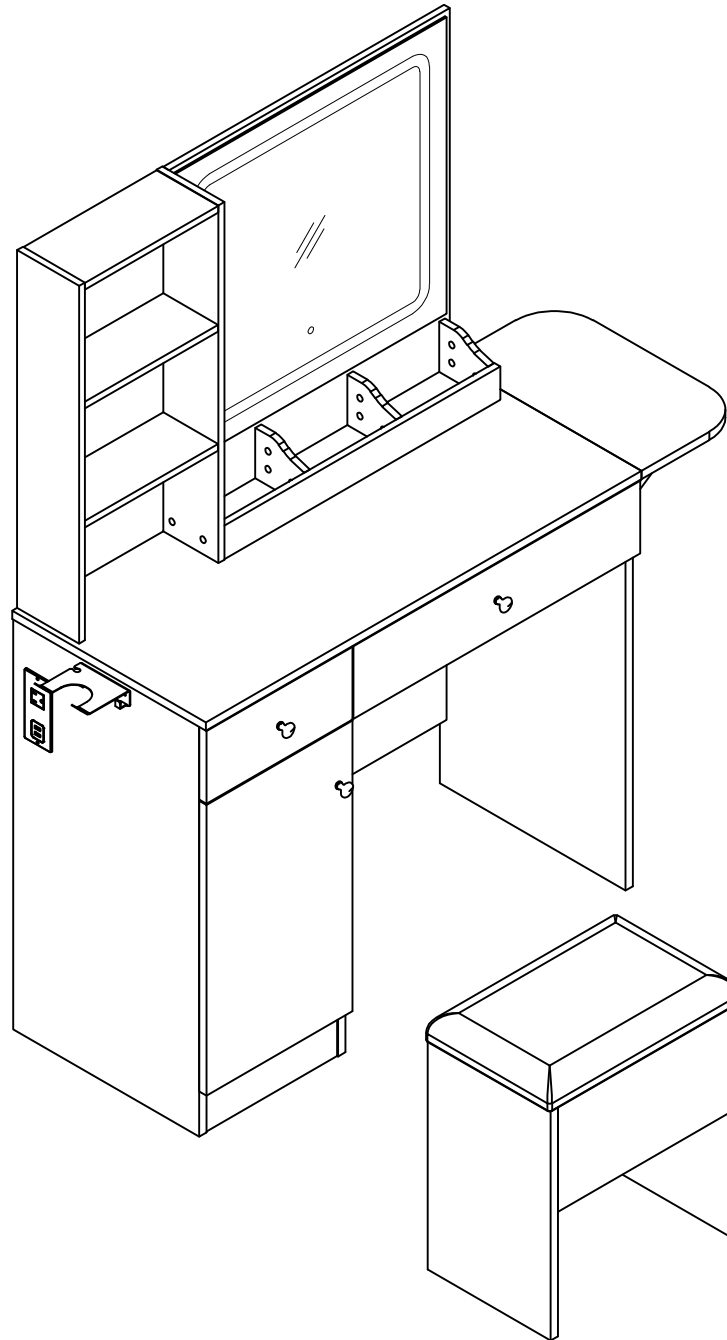


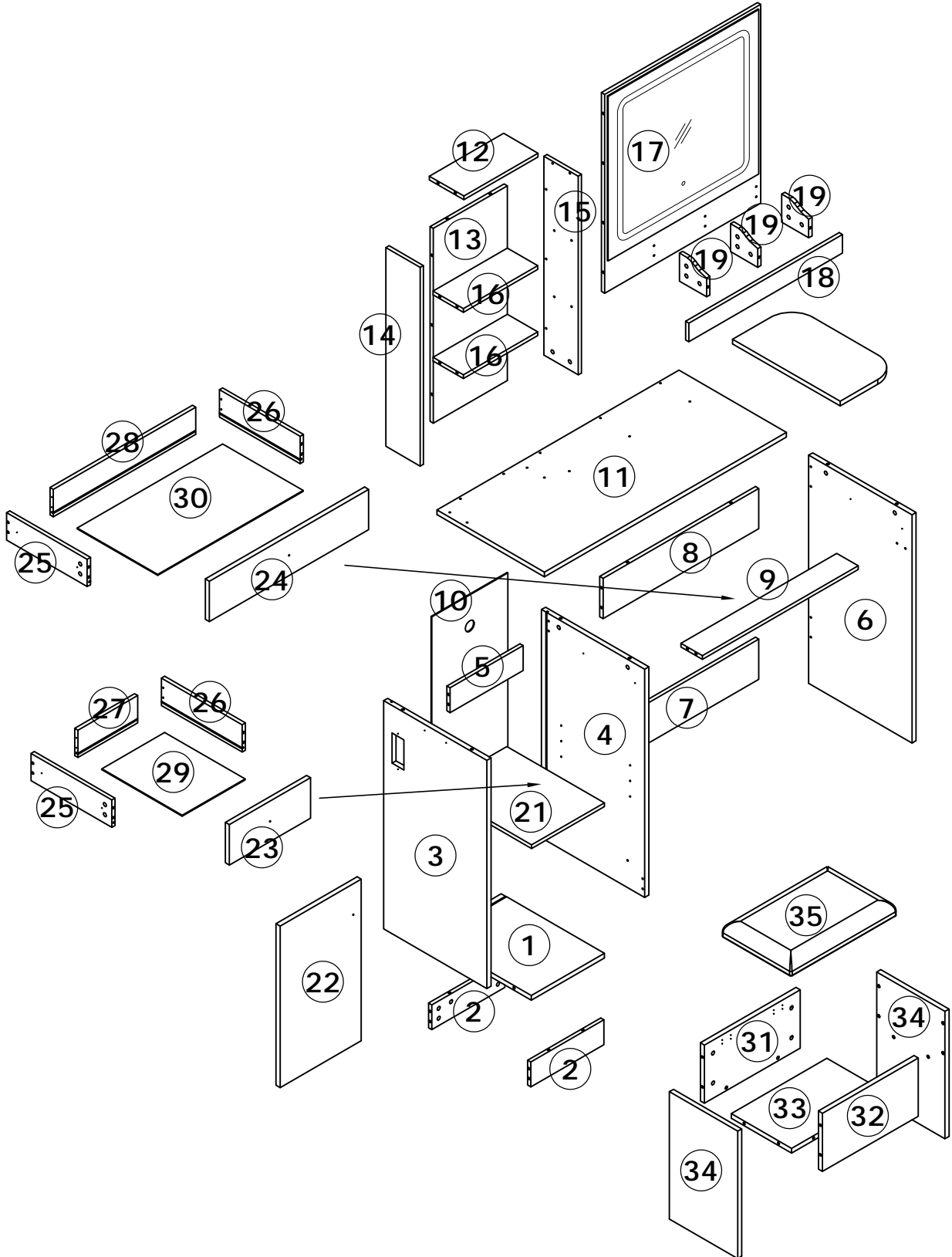
# Installation

*Product Manual*



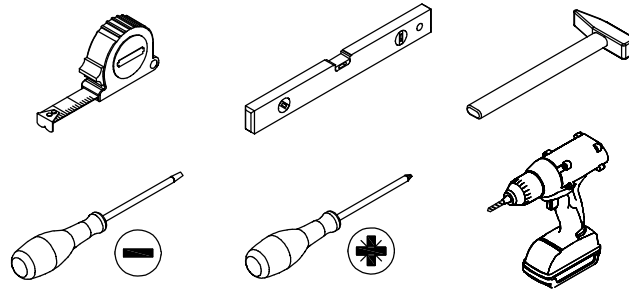
# Part List

The same number represents the same size board.

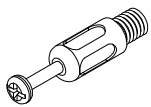


# Hardware List

Suggest using the following tools.

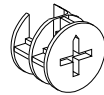


A x 109



M6\*35mm

B x 109



Ø12\*10mm

C x 8



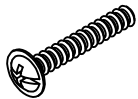
Ø4\*30mm

D x 52



Ø3\*12mm

E x 3

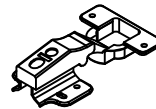


M4\*18mm

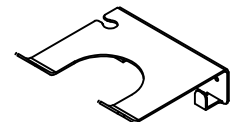
F x 3



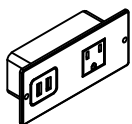
G x 4



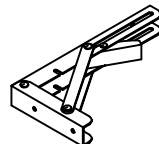
H x 1



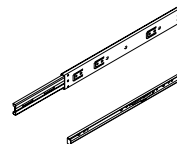
I x 1



J x 2



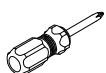
K x 4



L x 4



M x 1



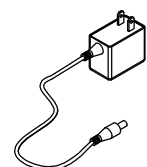
N x 1



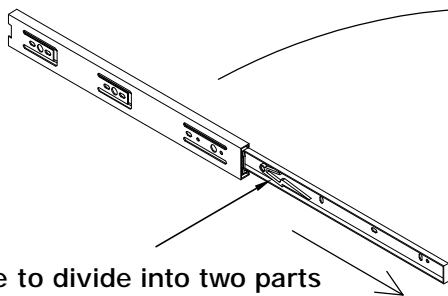
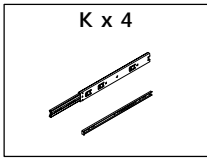
O x 1



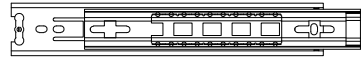
P x 1



# 1



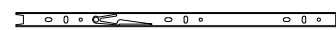
Push up here to divide into two parts



K-1

Front

This part is installed on board (3) \ (4) \ (6)

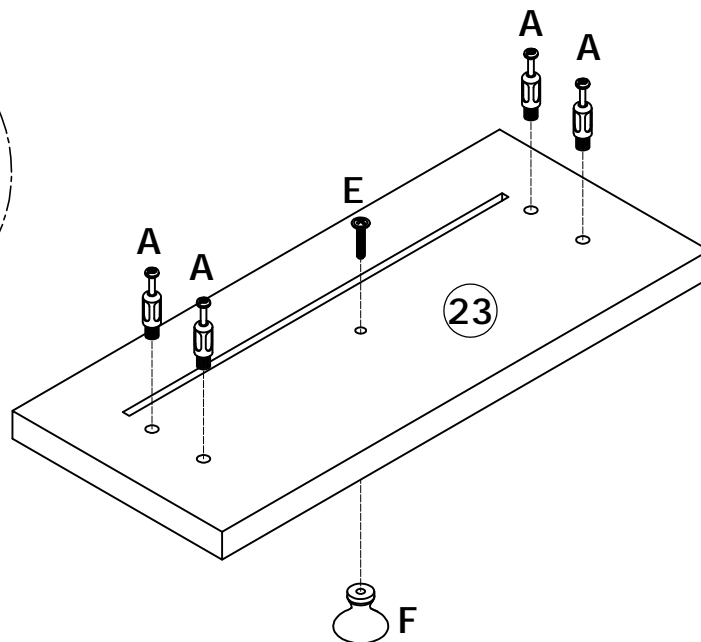
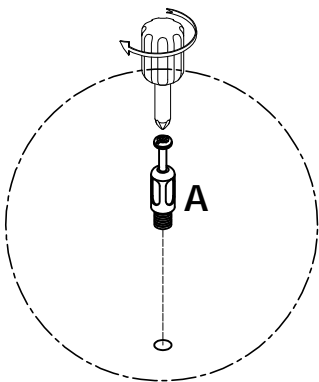
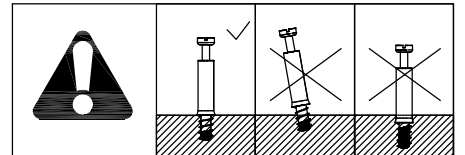
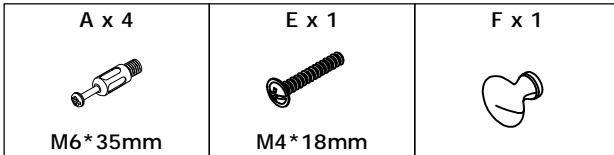


K-2


Front

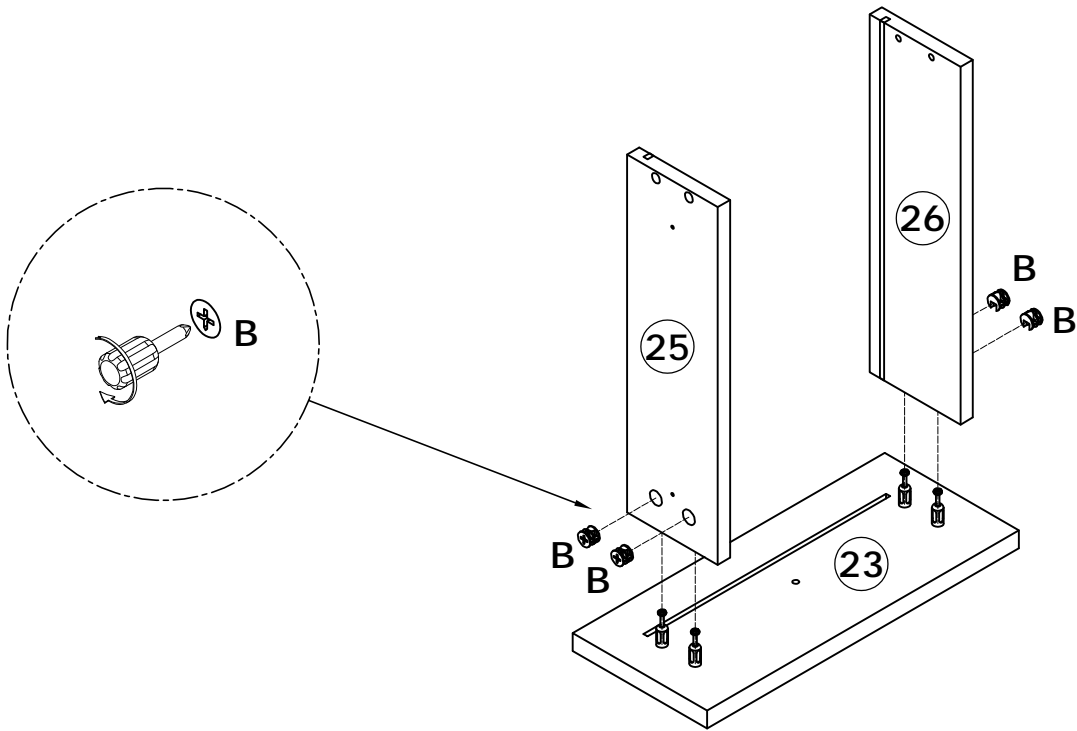
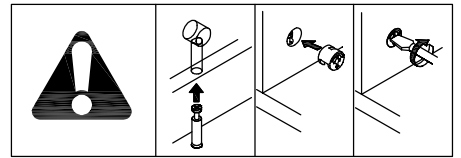
This part is installed on board (25) \ (26)

# 2

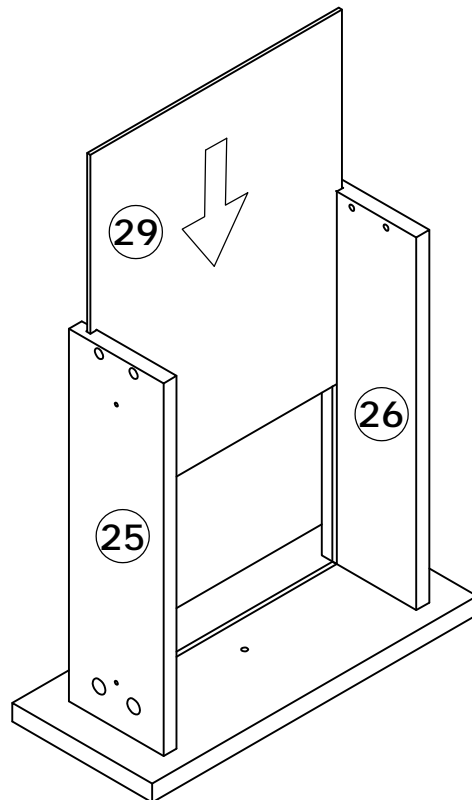


# 3

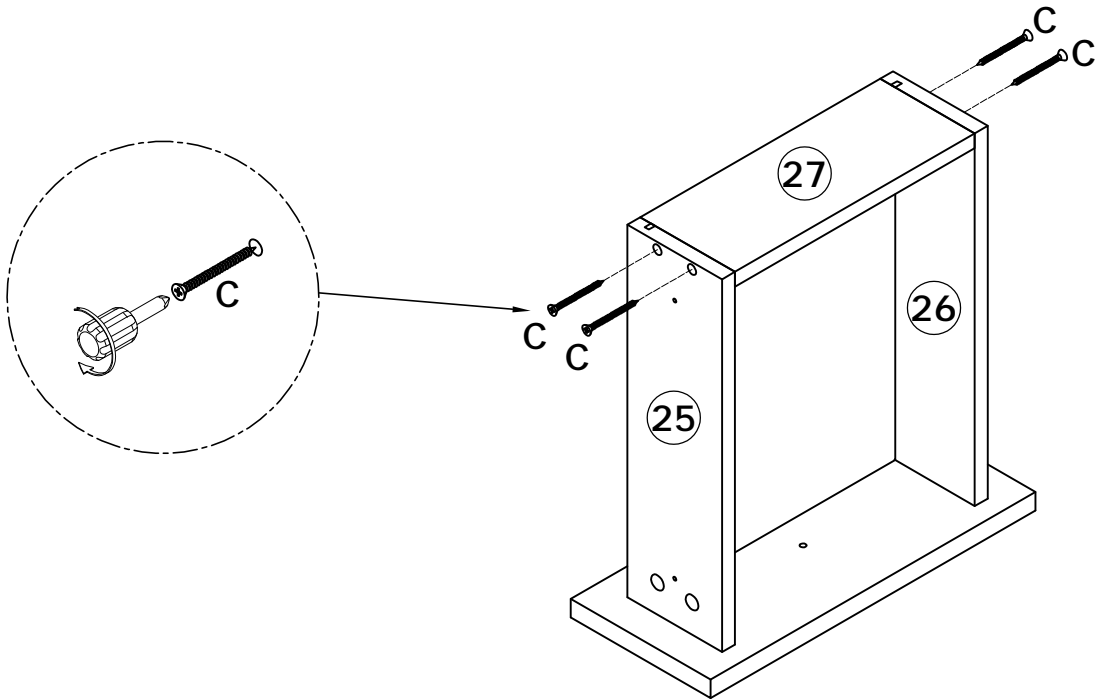
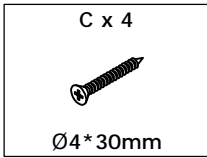
B x 4  
  
Ø12\*10mm



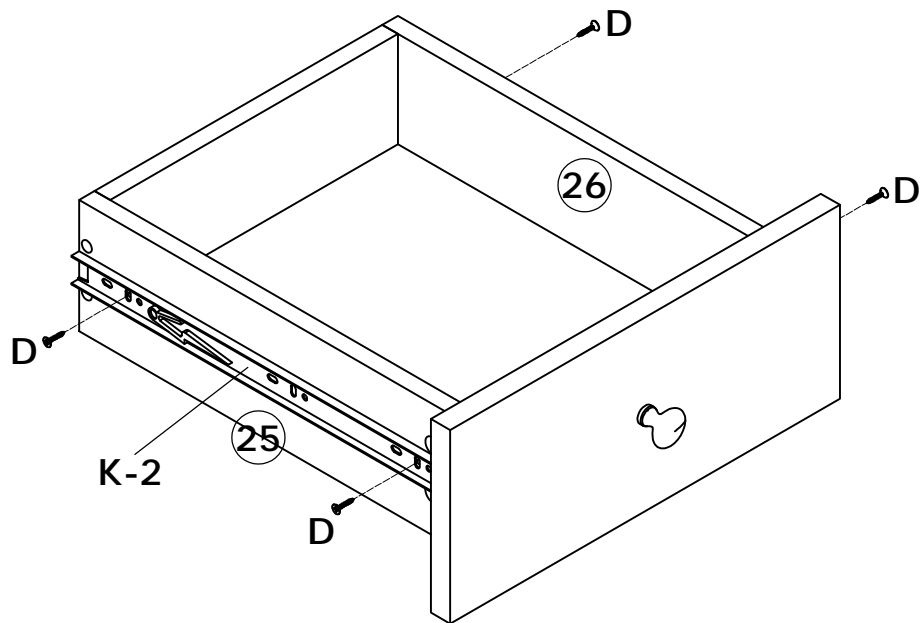
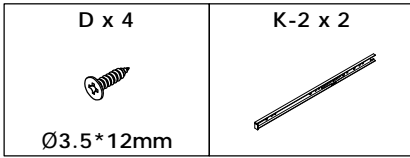
# 4






5

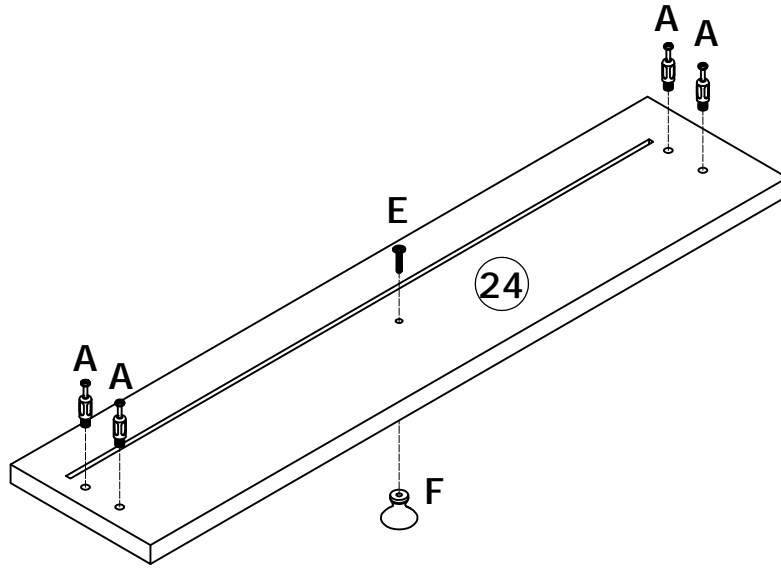
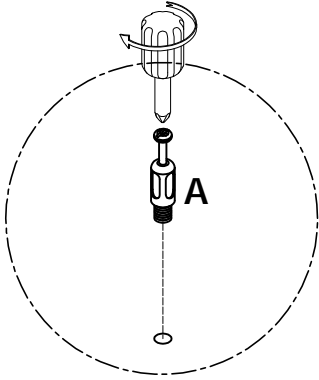
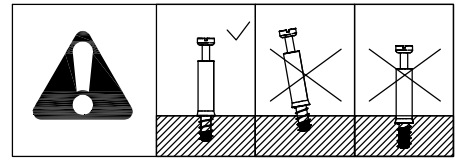


6




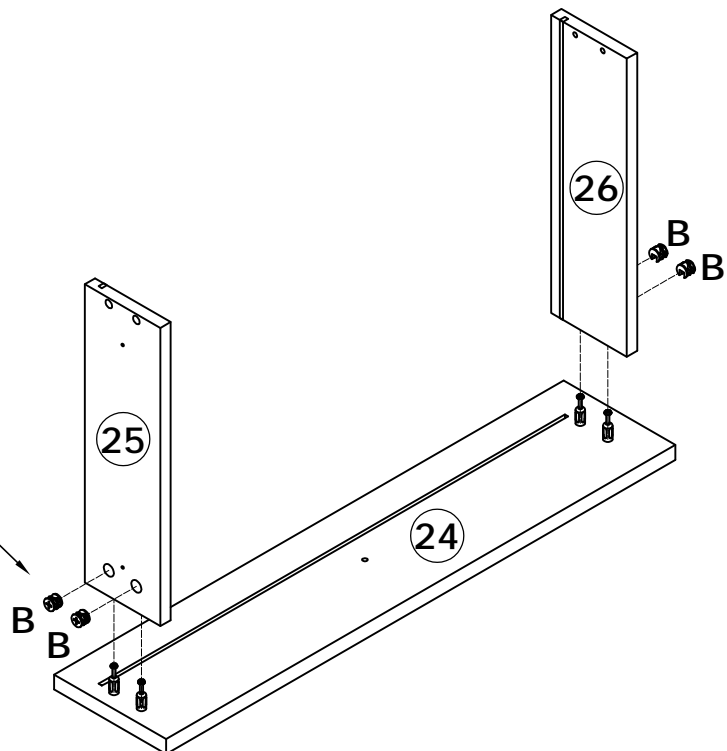
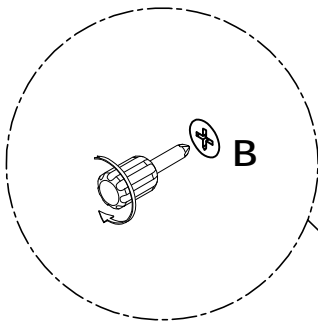
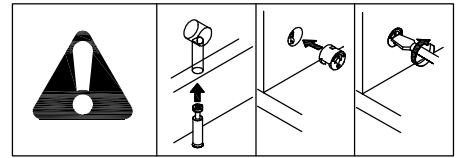
# 7

A x 4  M6*35mm	E x 1  M4*18mm	F x 1 
---	---	--

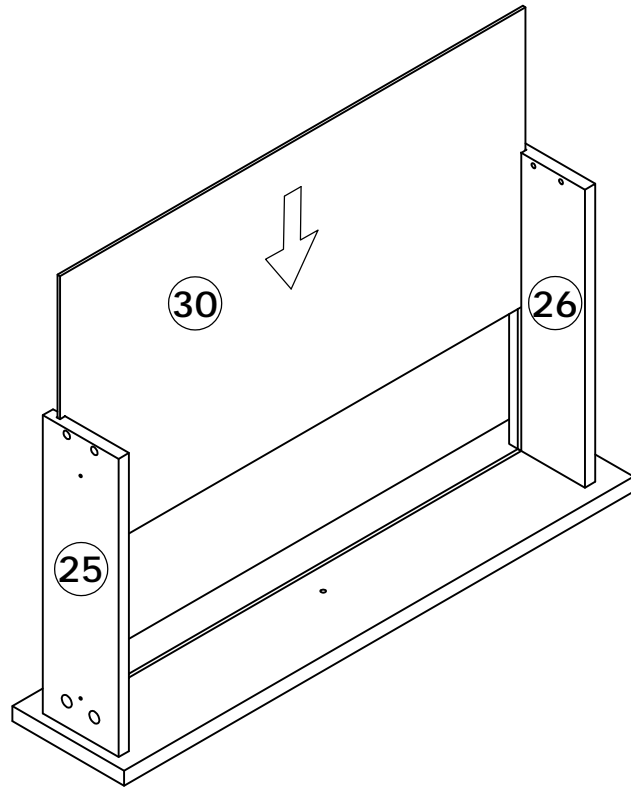


# 8

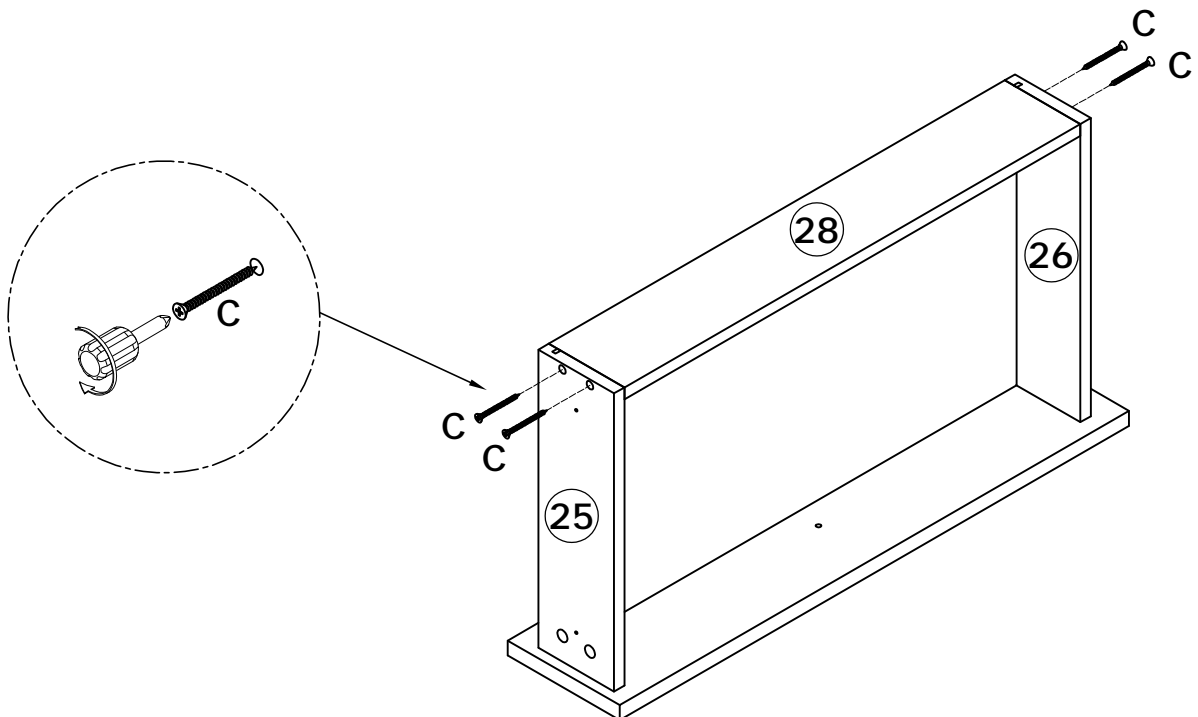
B x 4  Ø12*10mm
--



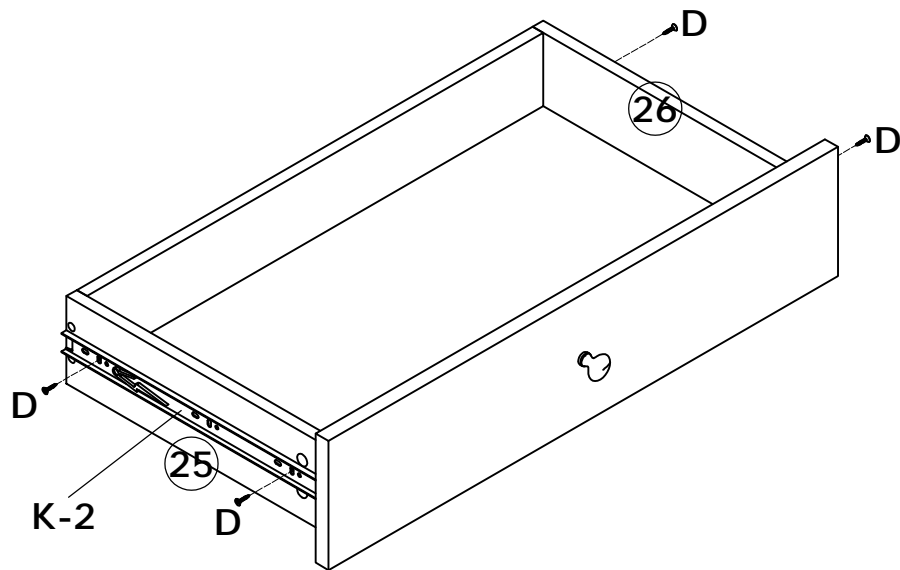
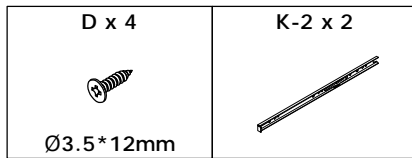
9



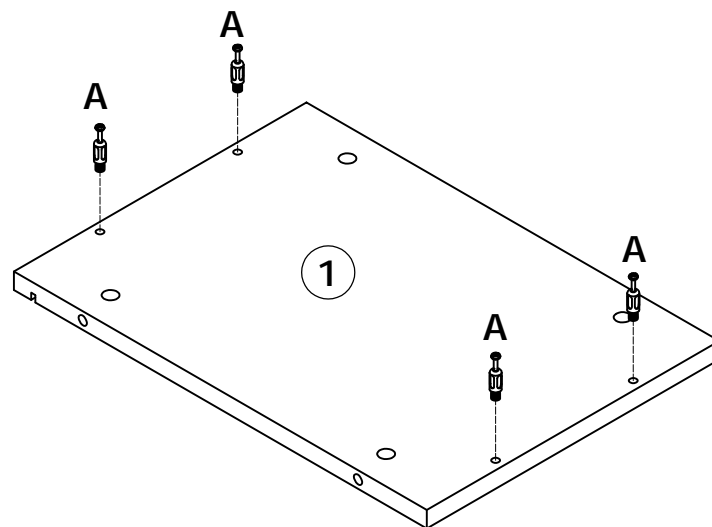
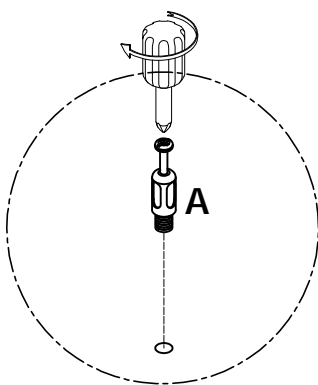
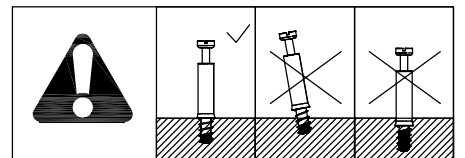
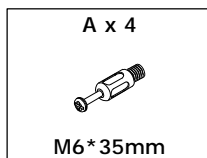
10



# 11




# 12

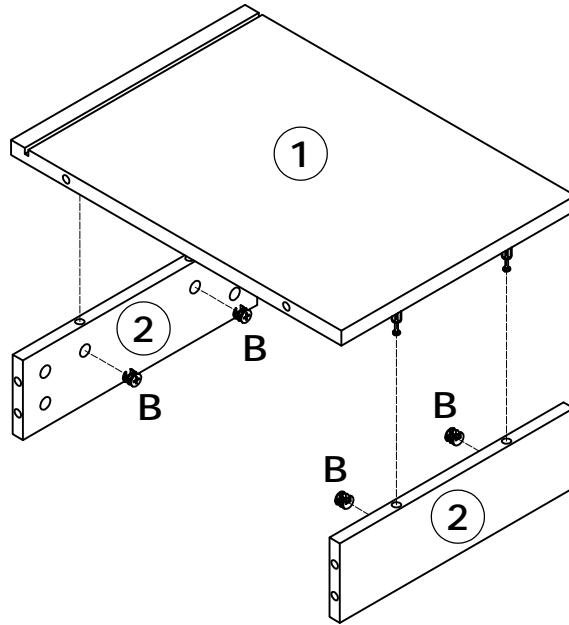
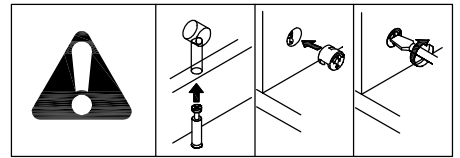


# 13



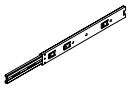
B x 4

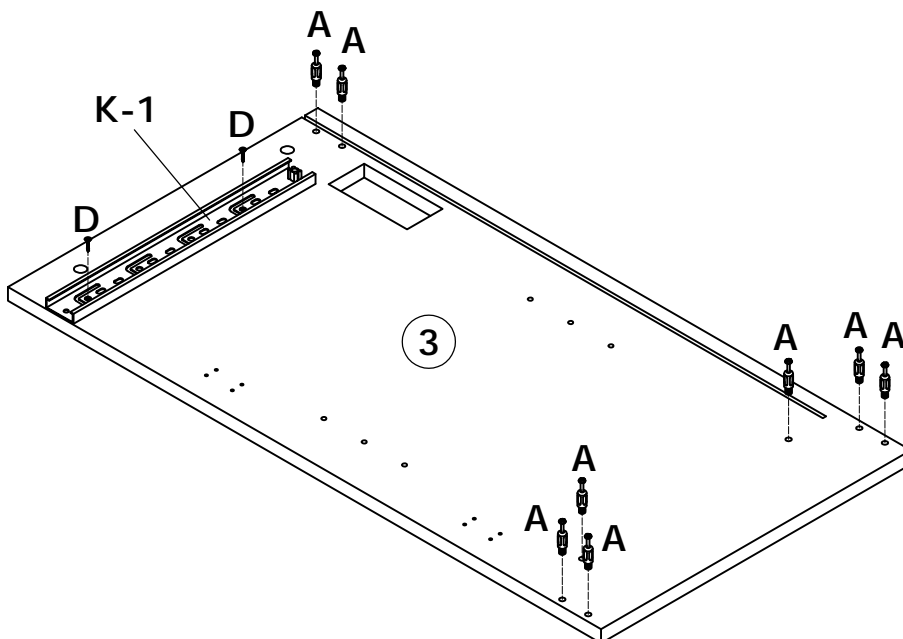
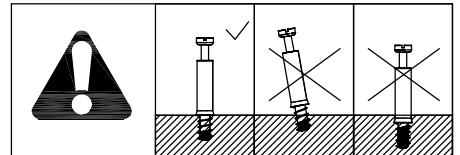


Ø12\*10mm



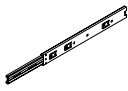


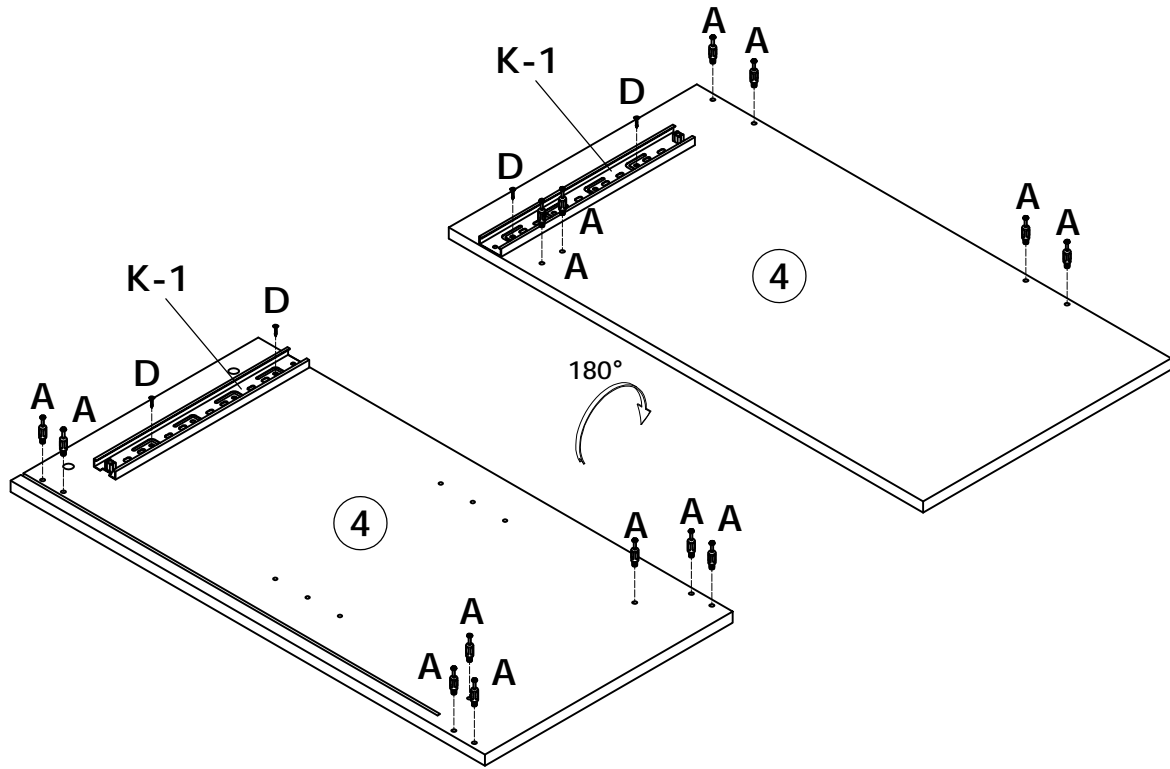
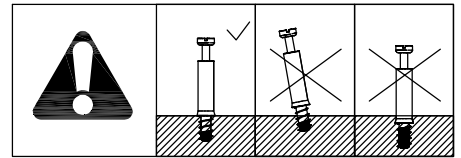
# 14

A x 8	D x 2	K-1 x 1
		
M6*35mm	Ø3.5*12mm	




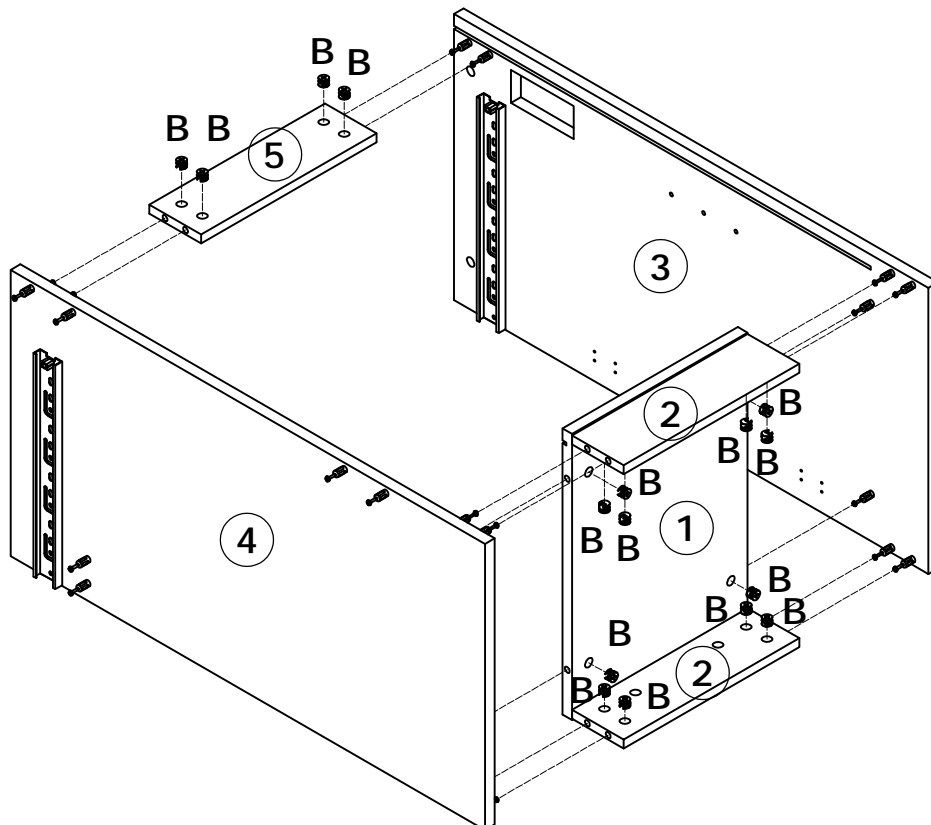
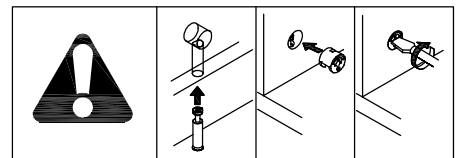
# 15

A x 14  M6*35mm	D x 4  Ø3.5*12mm	K-1 x 2 
--	---	--



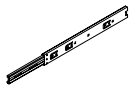


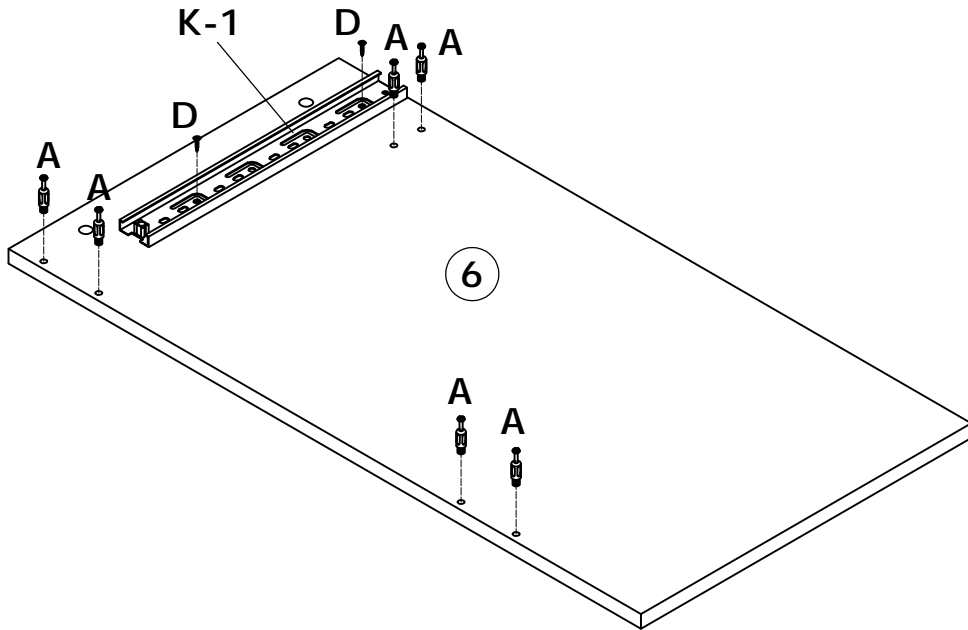
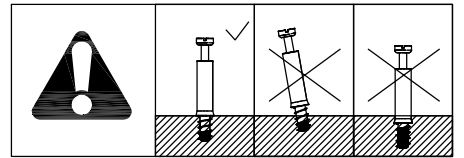
# 16

B x 16  Ø12*10mm
---




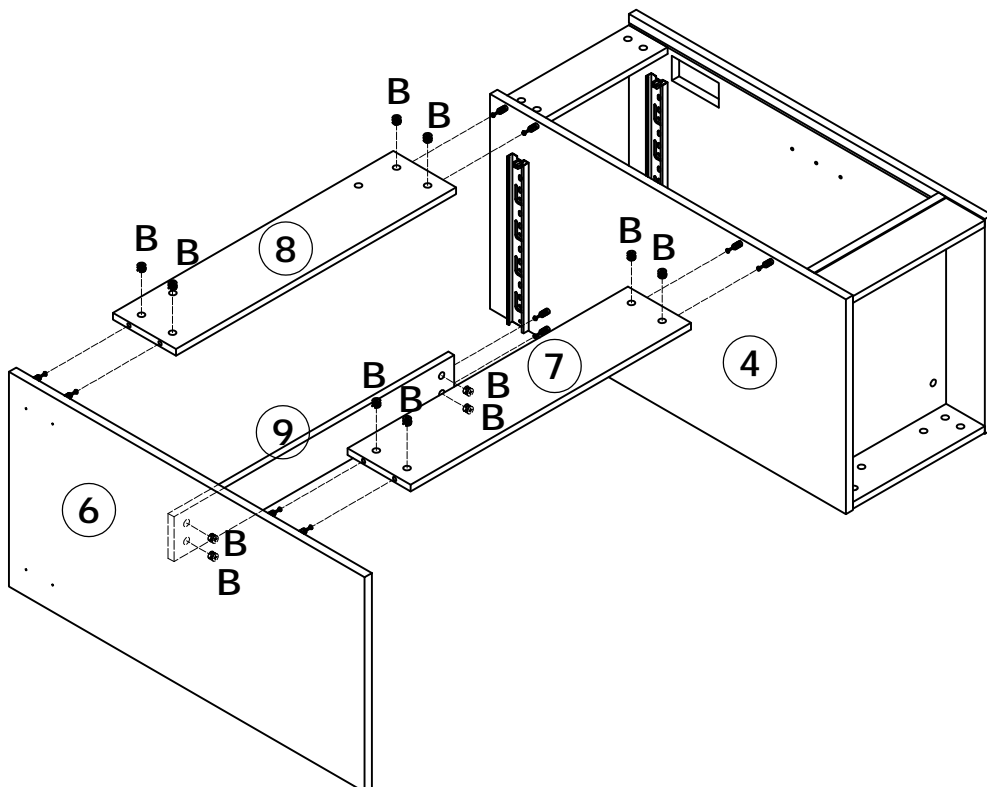
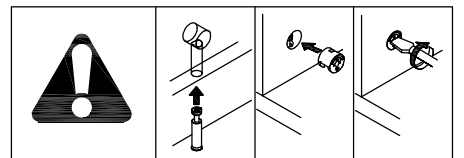
# 17

A x 6  M6*35mm	D x 2  Ø3.5*12mm	K-1 x 1 
---	---	--

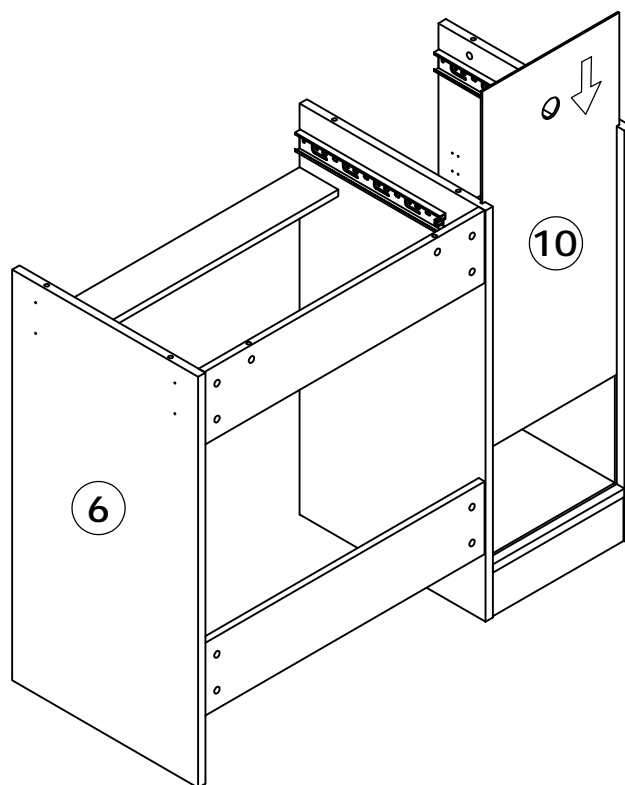


# 18

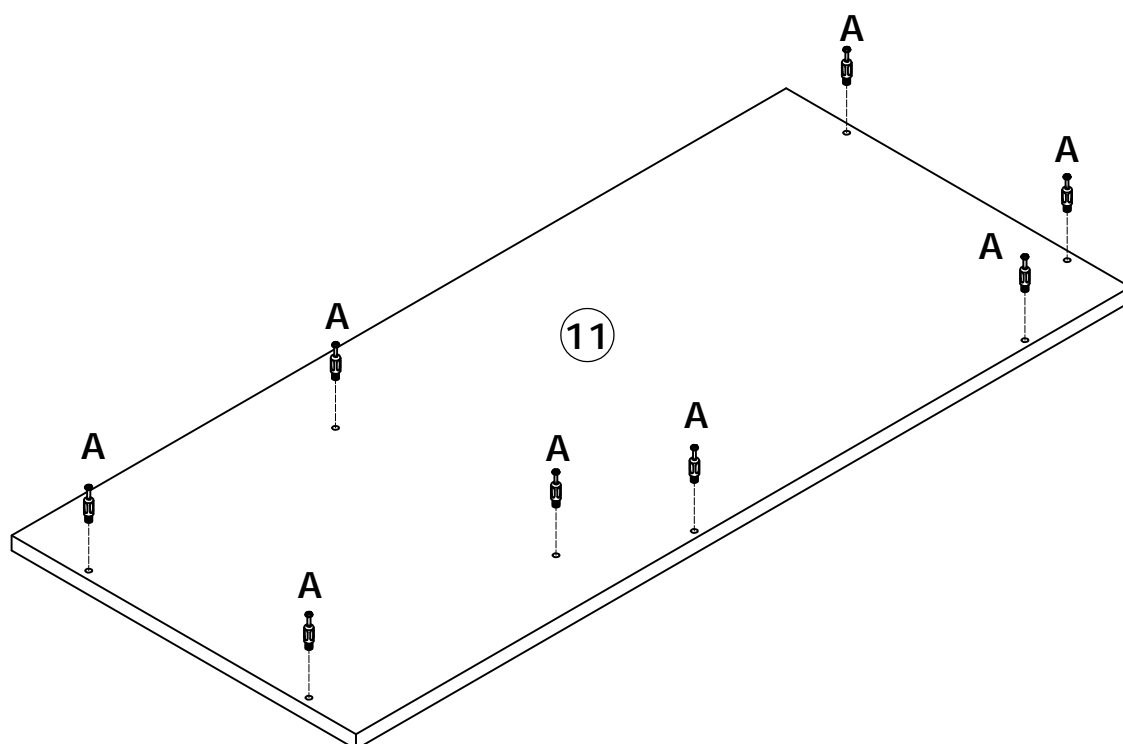
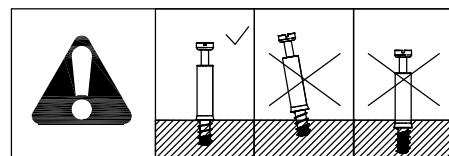
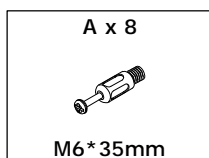
B x 12  Ø12*10mm
---



# 19




# 20

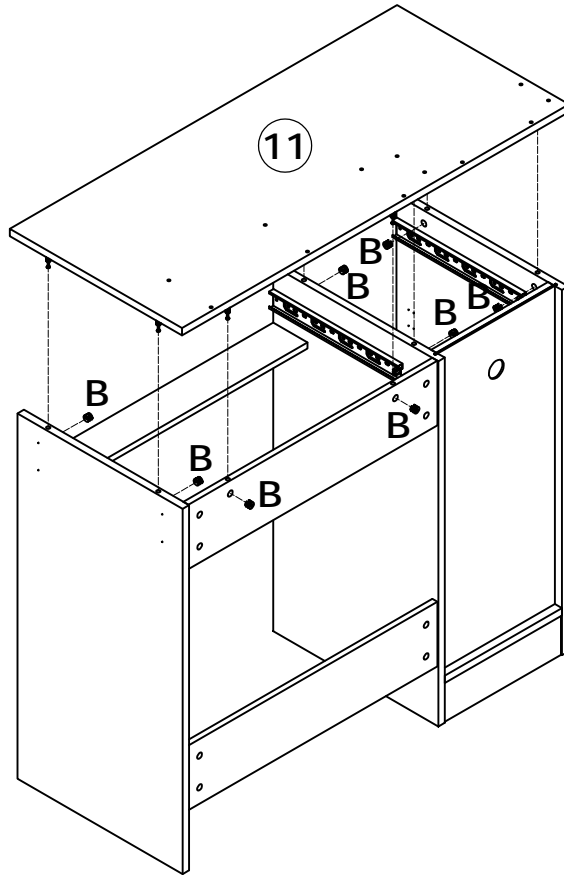
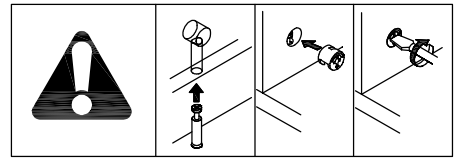


# 21

B x 8




Ø12\*10mm

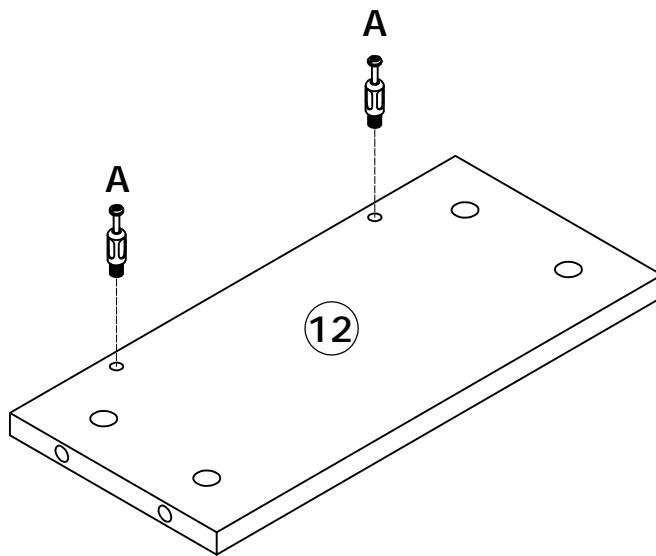
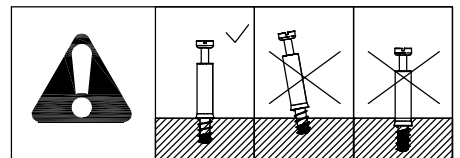


# 22

A x 2




M6\*35mm

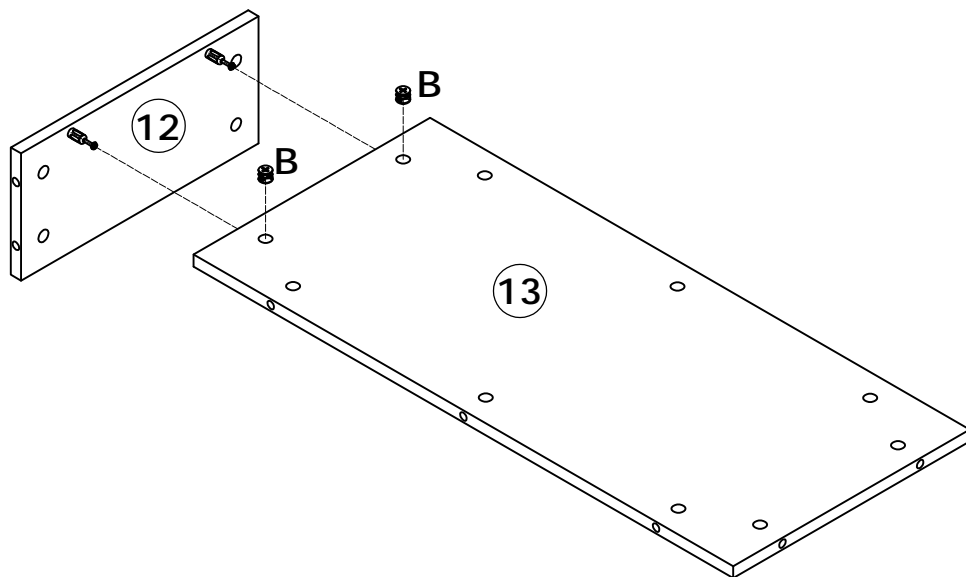
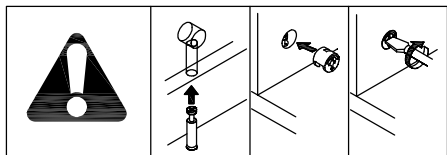


# 23

B x 2




Ø12\*10mm

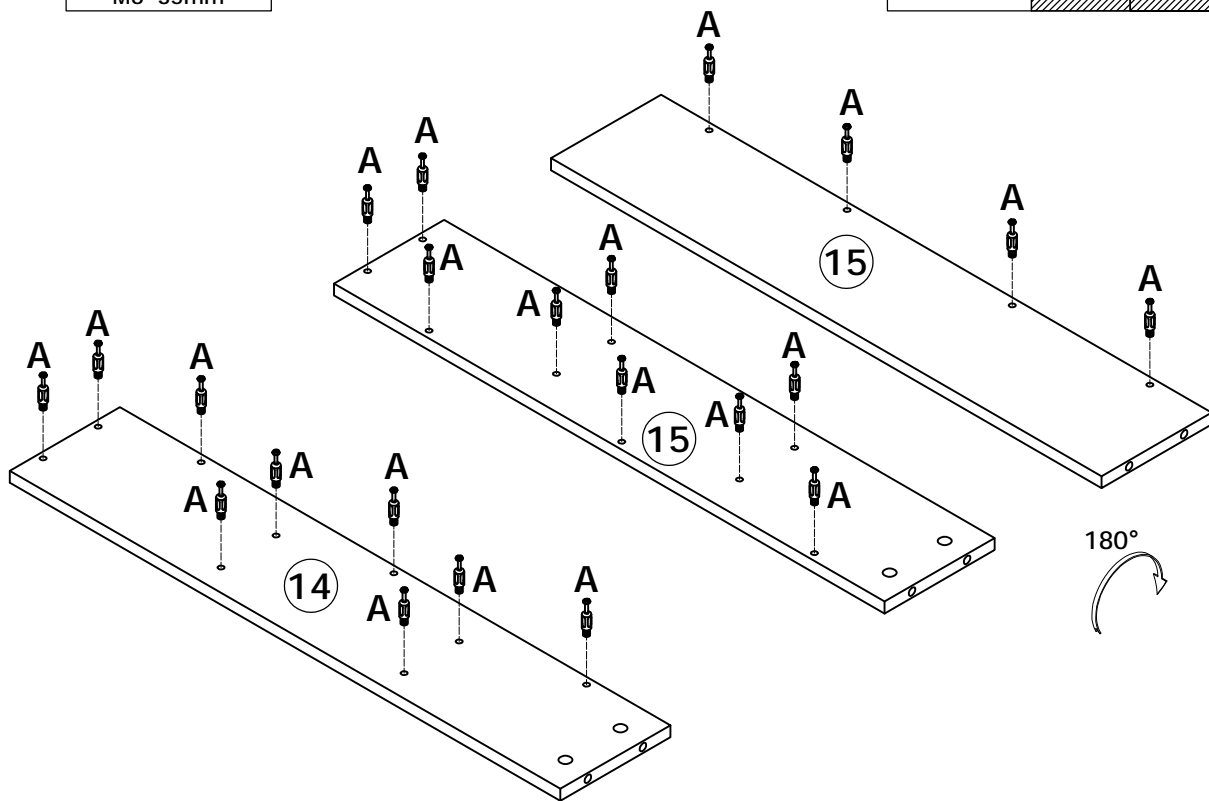
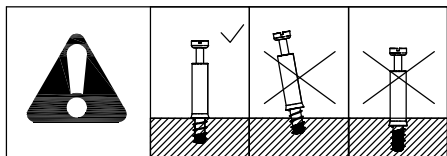


# 24

A x 22




M6\*35mm

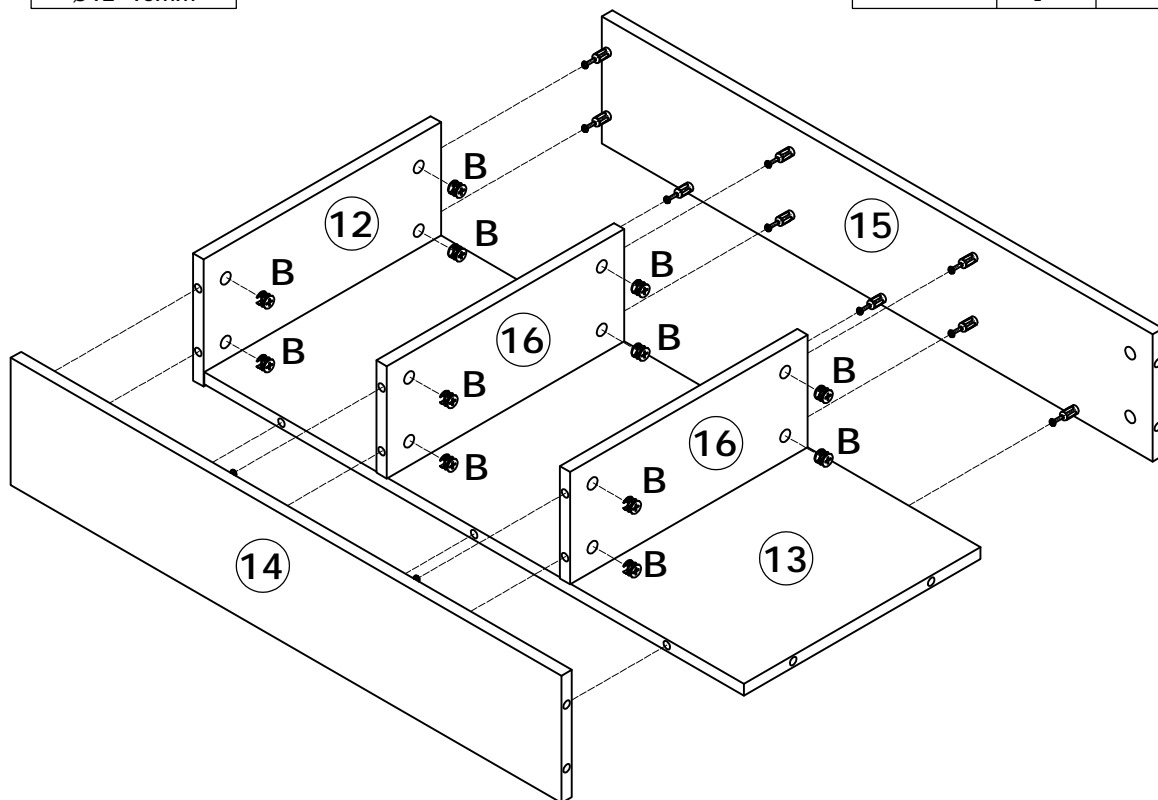
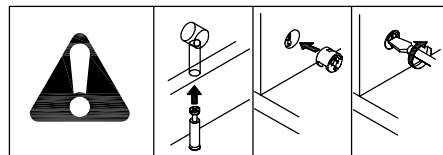


# 25

B x 12




Ø12\*10mm

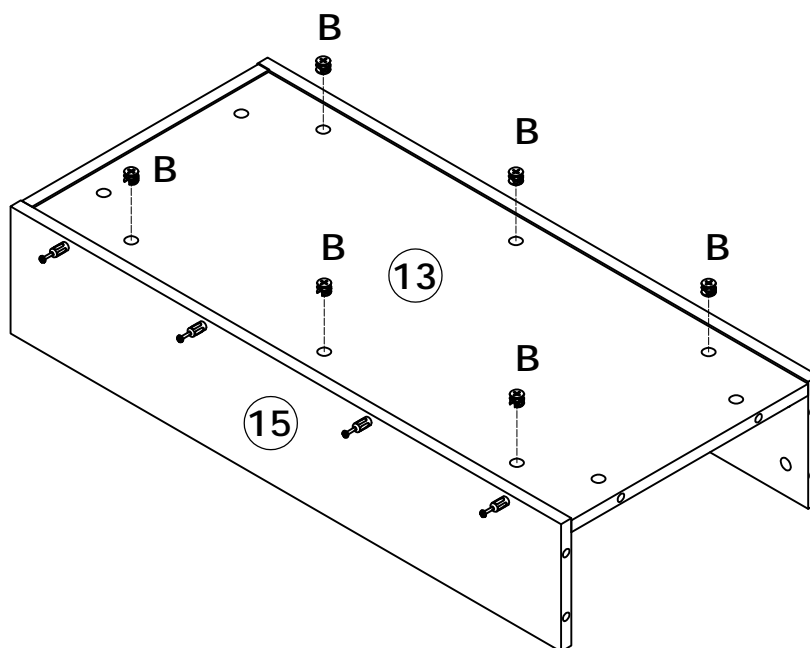
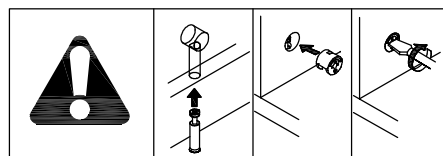


# 26

B x 6




Ø12\*10mm

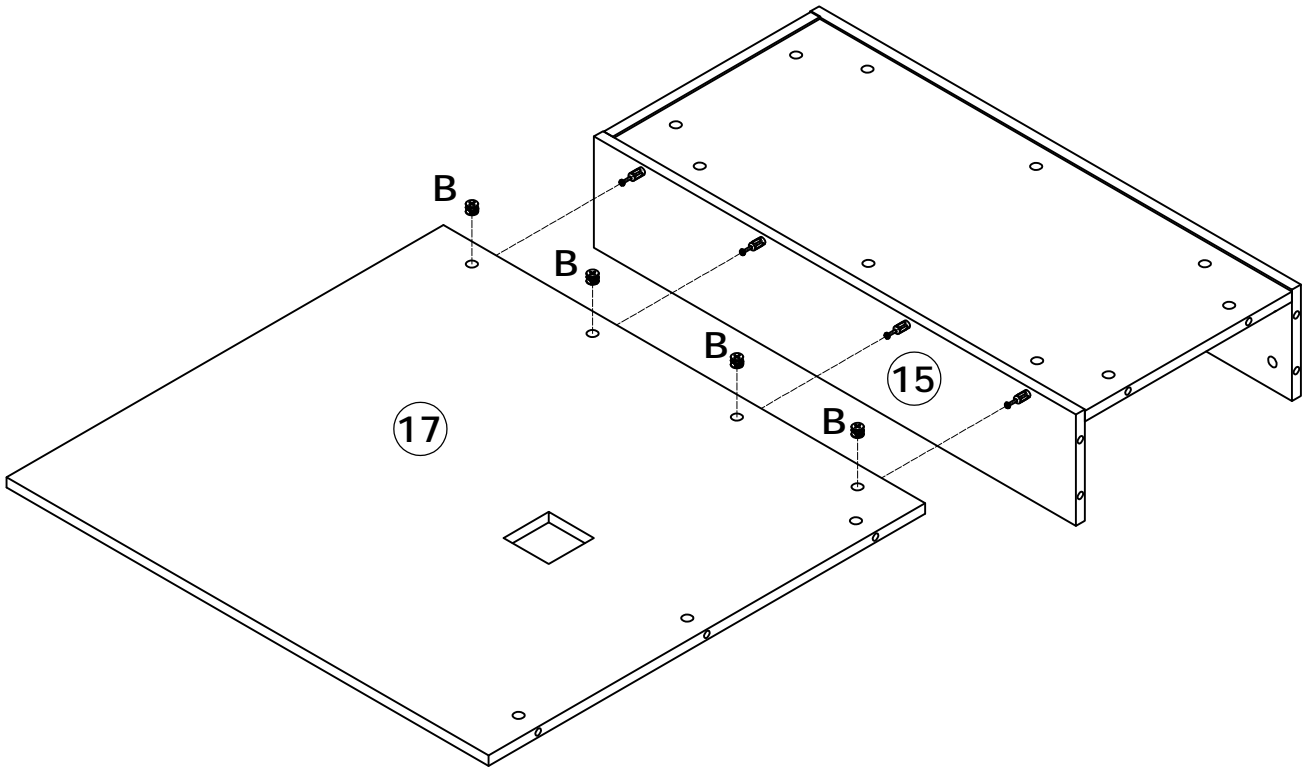
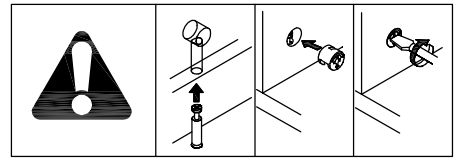


# 27

B x 4




Ø12\*10mm

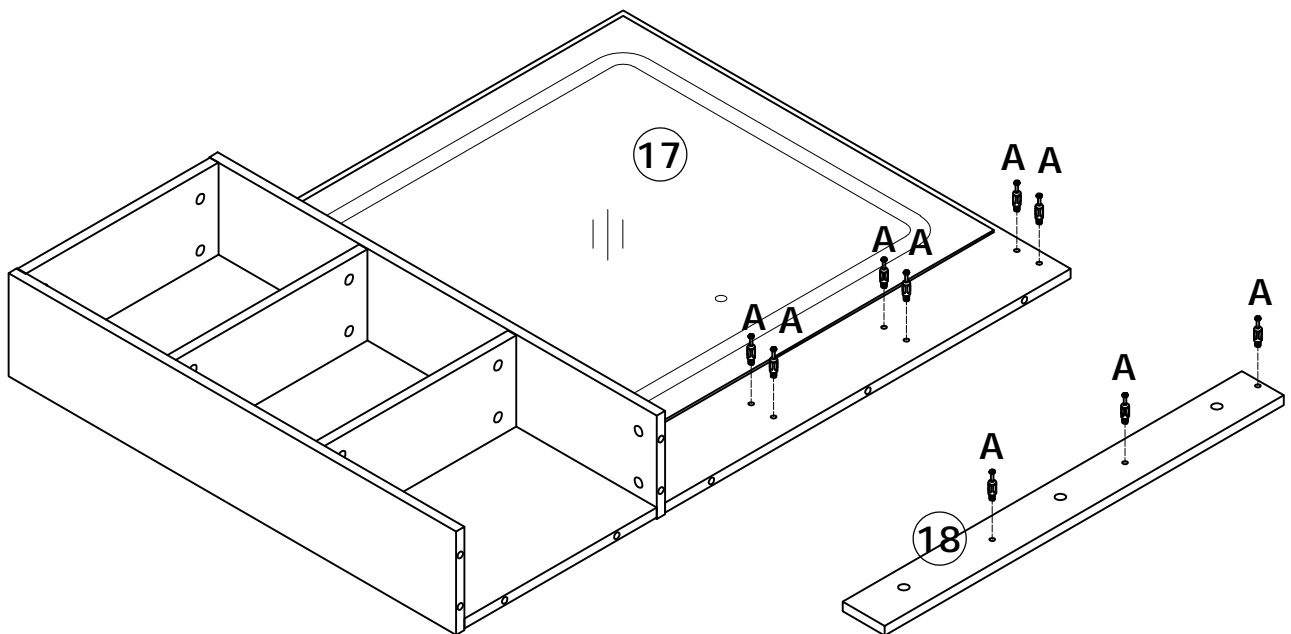
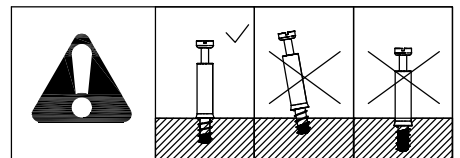


# 28

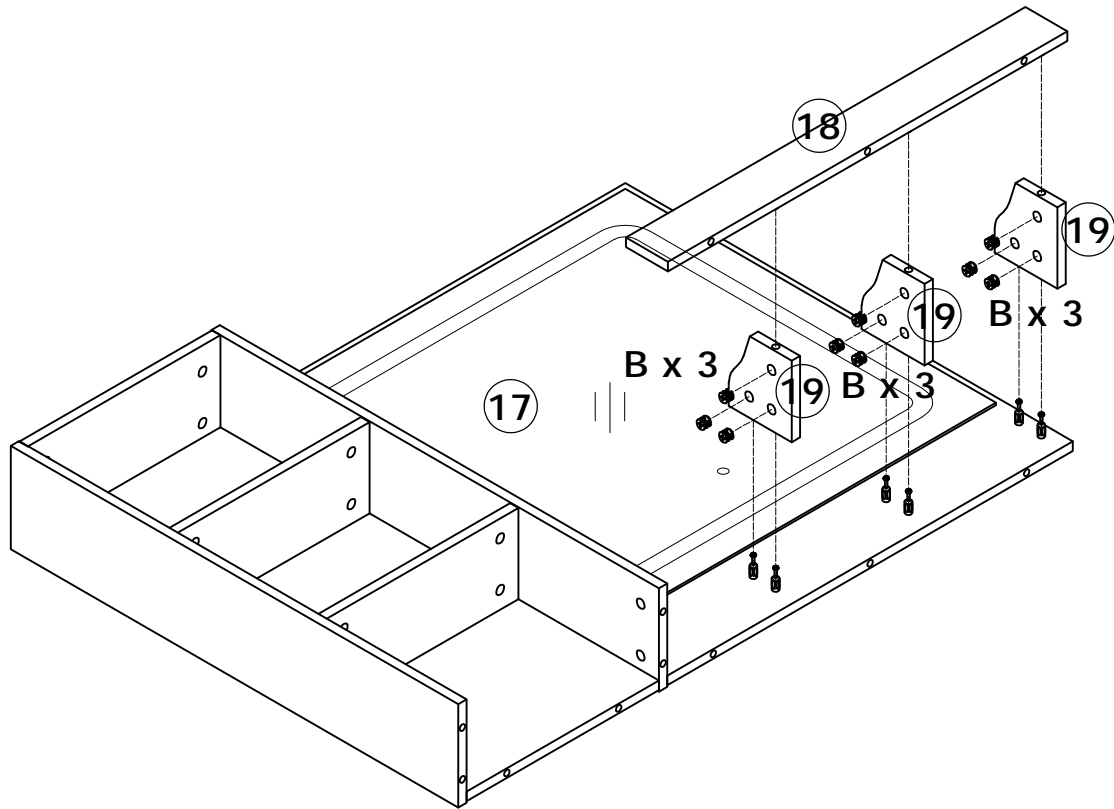
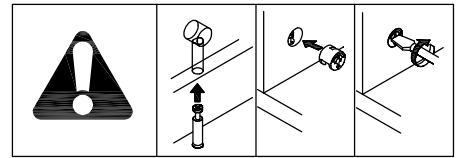
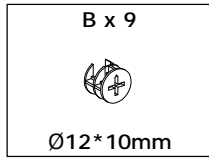
A x 9



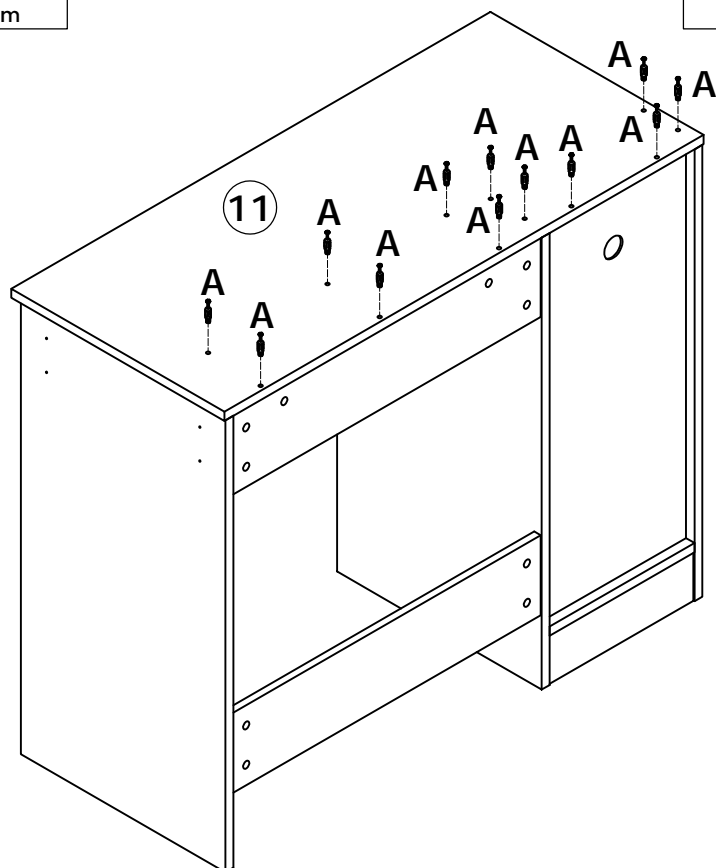
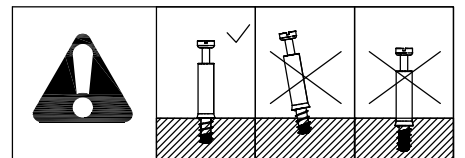
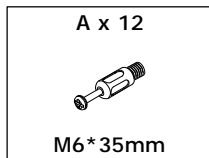
M6\*35mm



# 29




# 30

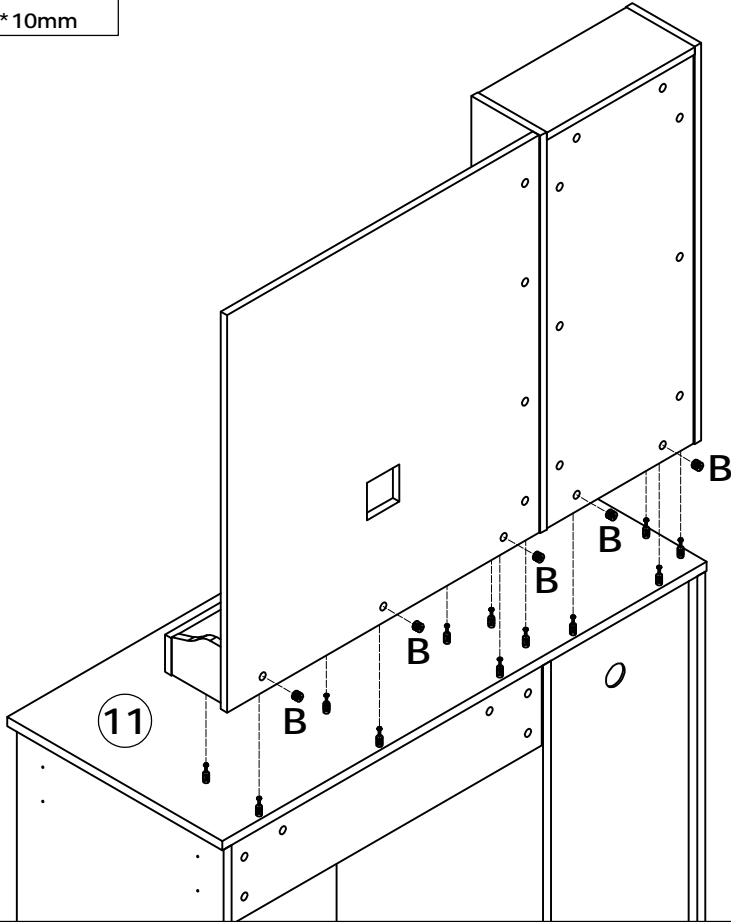
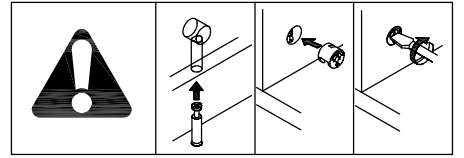


# 31

B x 5




Ø12\*10mm

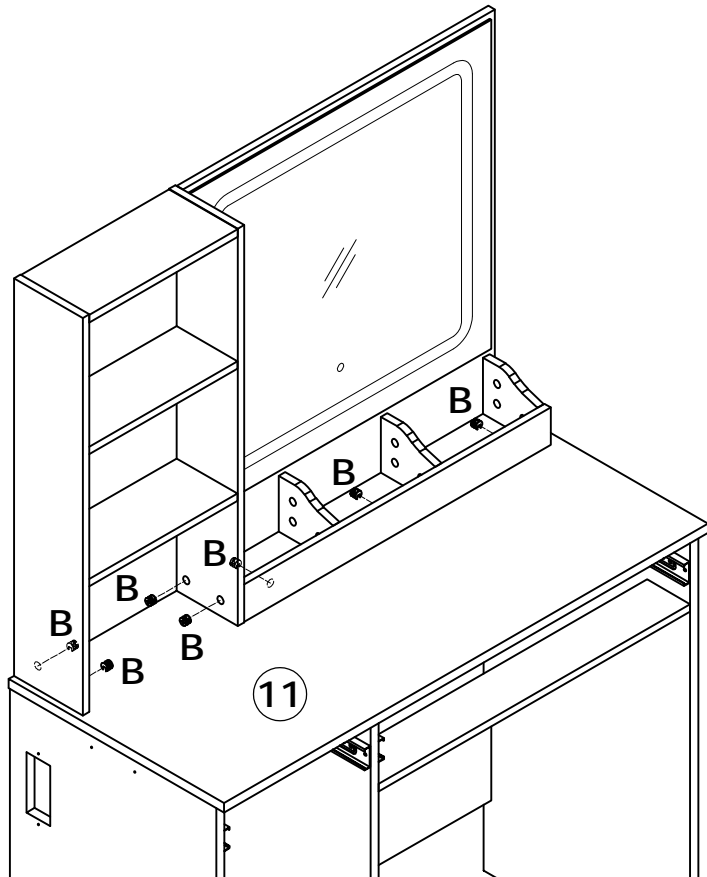
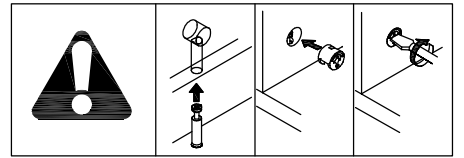


# 32

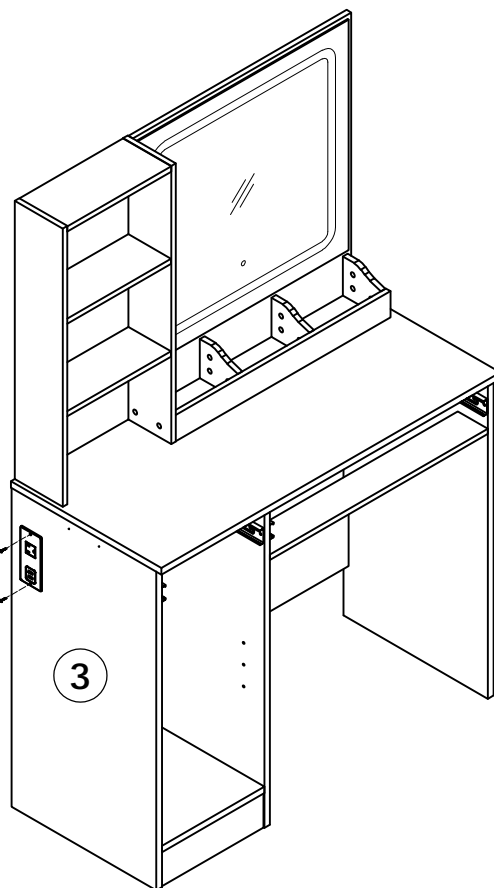
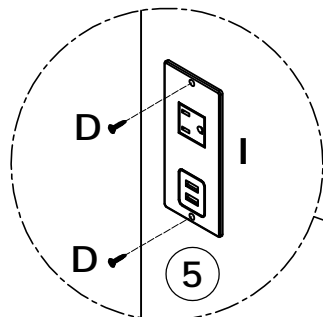
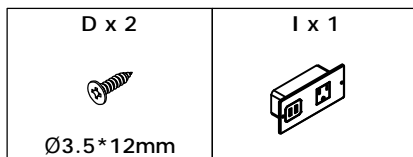
B x 7



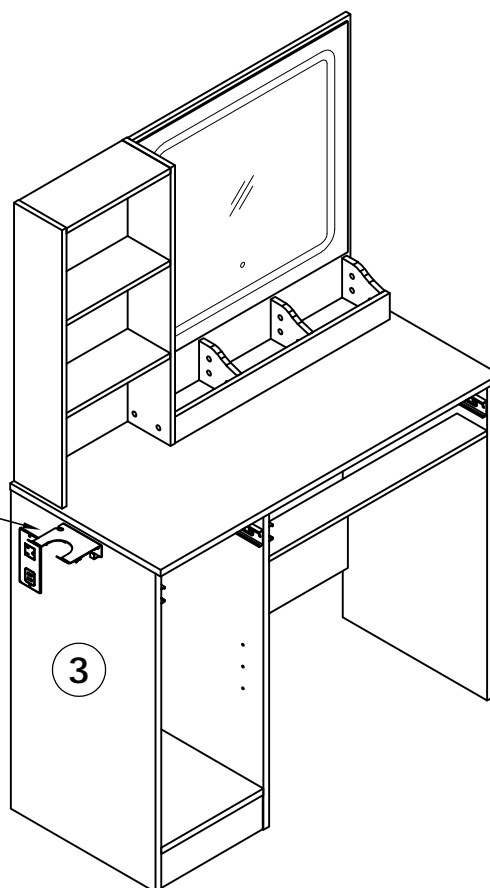
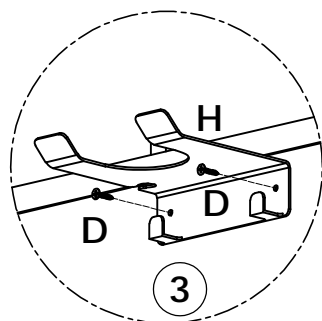
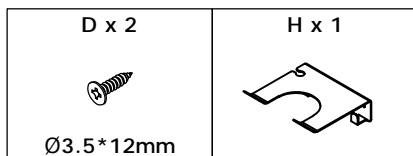
Ø12\*10mm





# 33

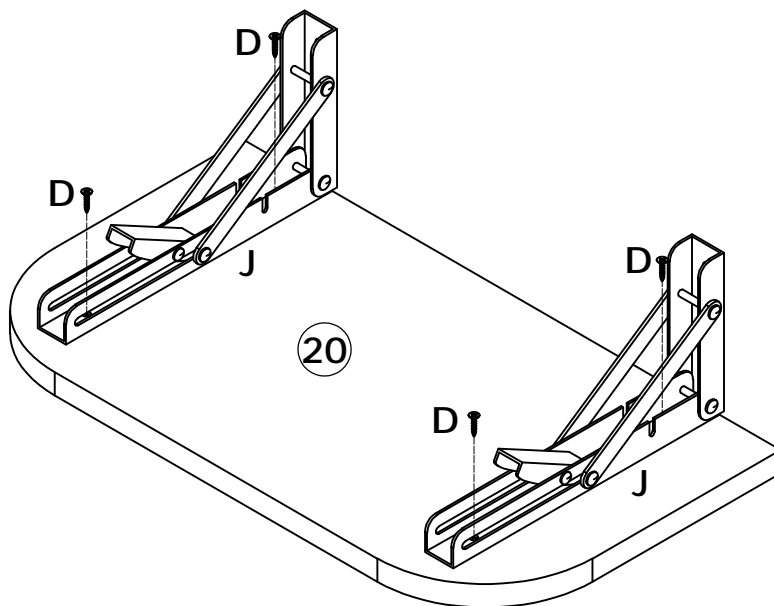


# 34




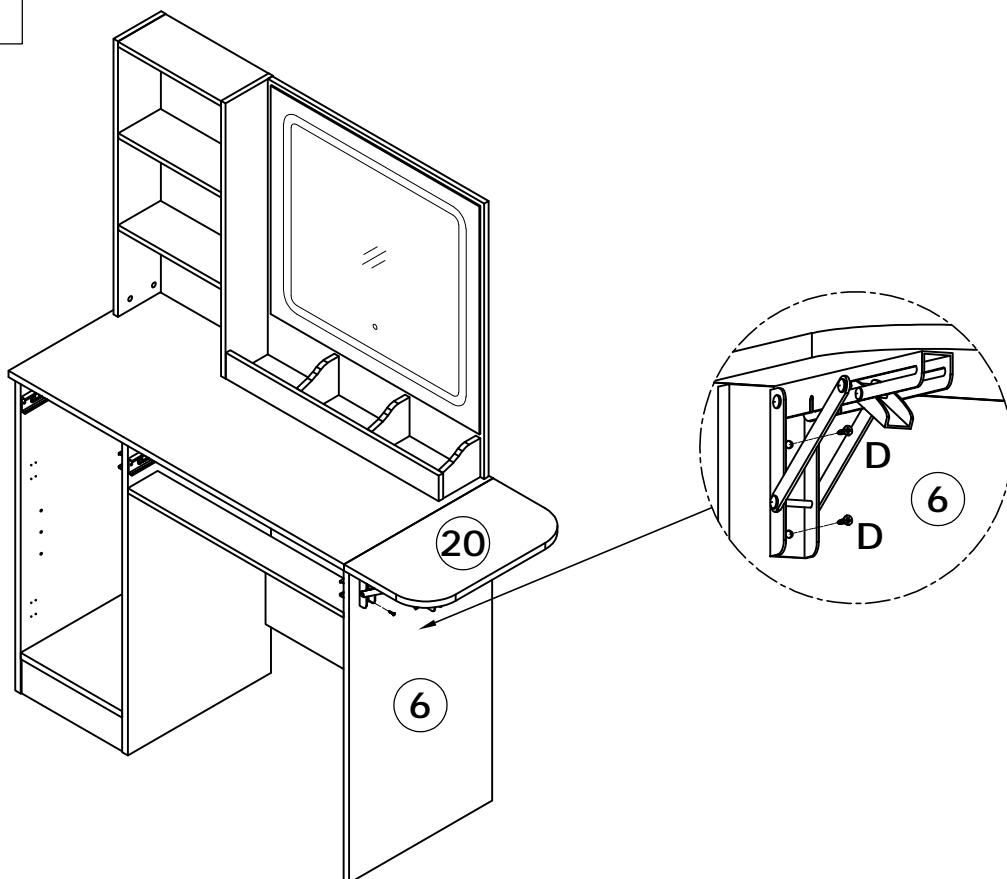
# 35

D x 4  Ø3.5*12mm	J x 2 
---	--

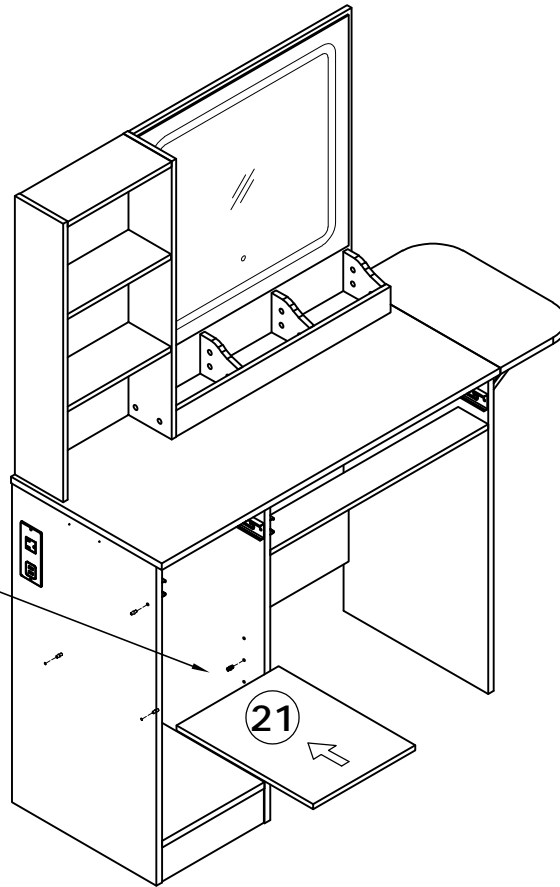
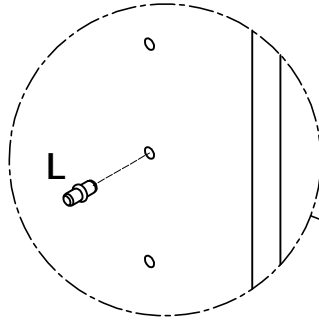
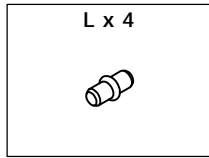


# 36

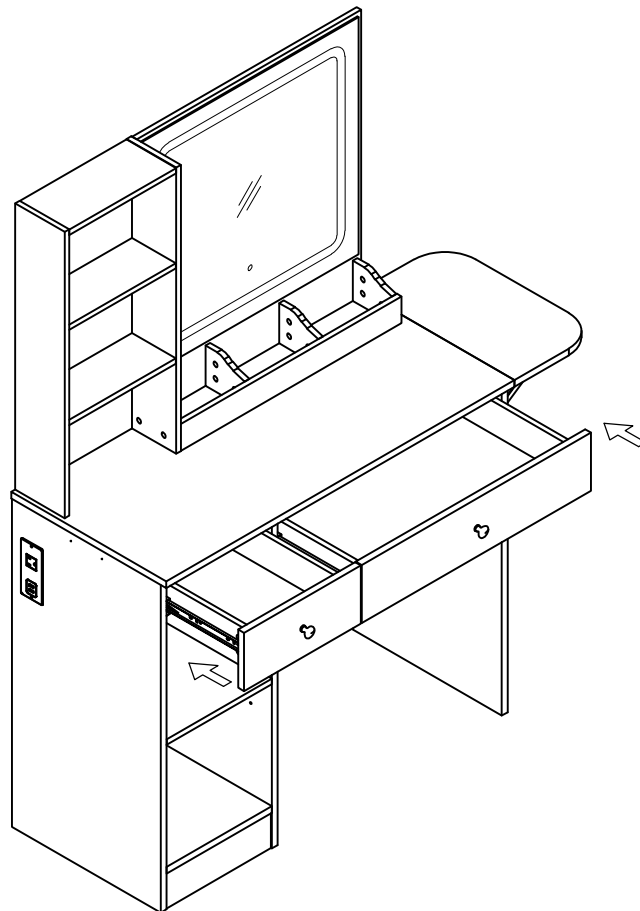
D x 4  Ø3.5*12mm
---







# 37

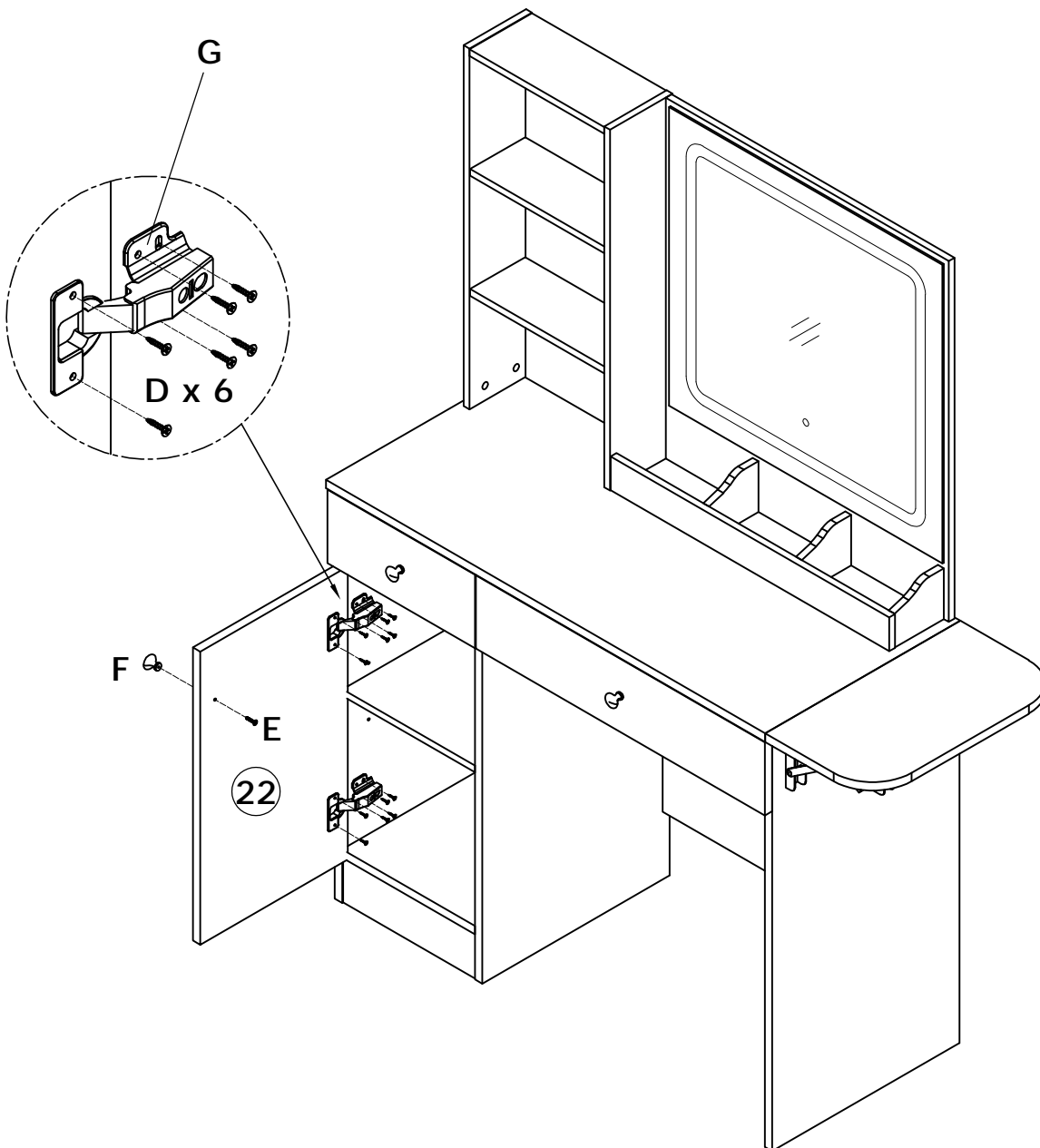
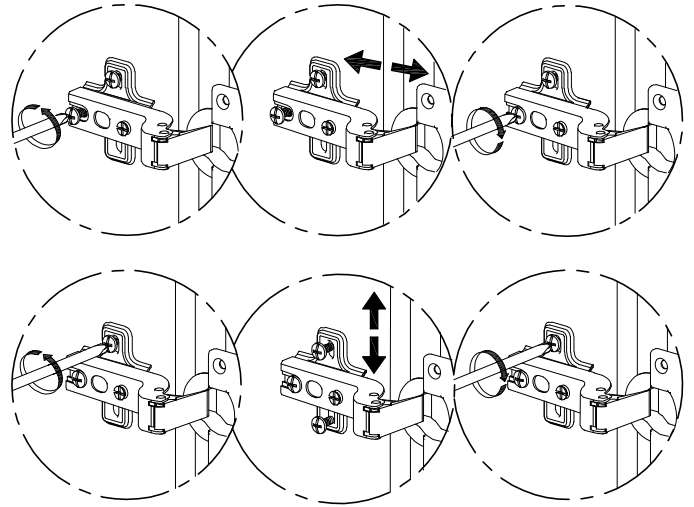


# 38

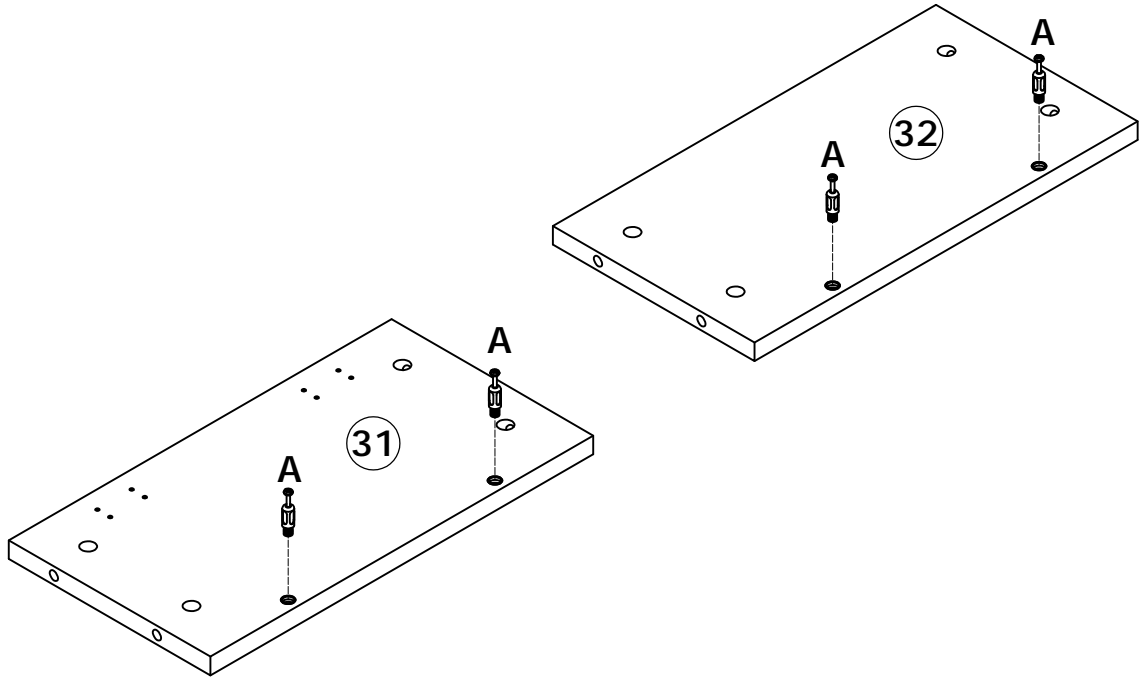
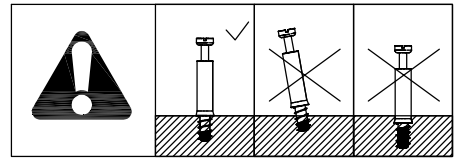
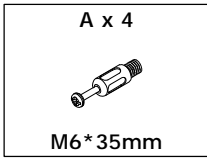


# 39

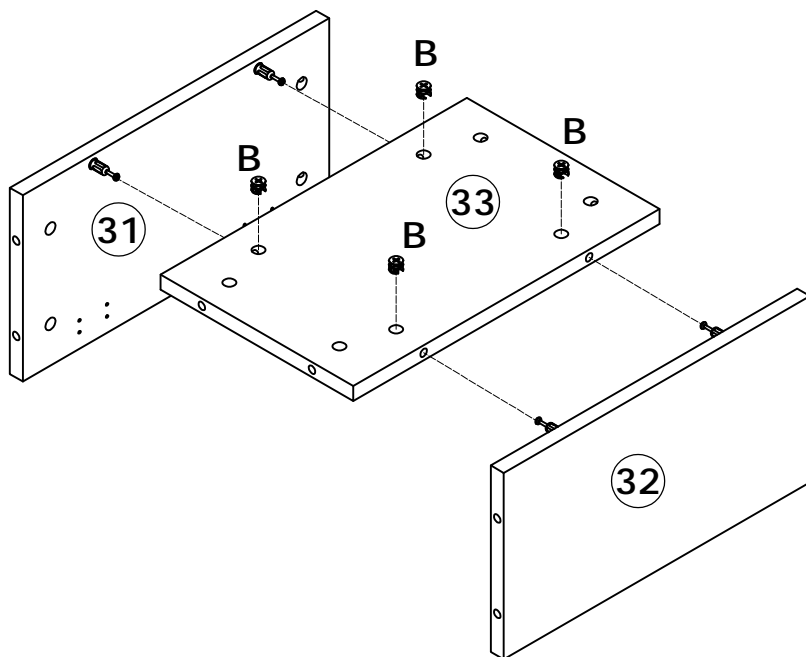
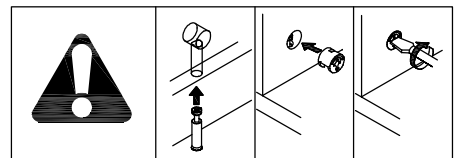
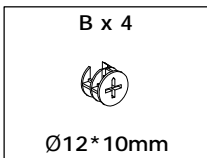
D x 12  Ø3.5*12mm	E x 1  M4*18mm	F x 1 	G x 2 
--	---	--	---




# 40

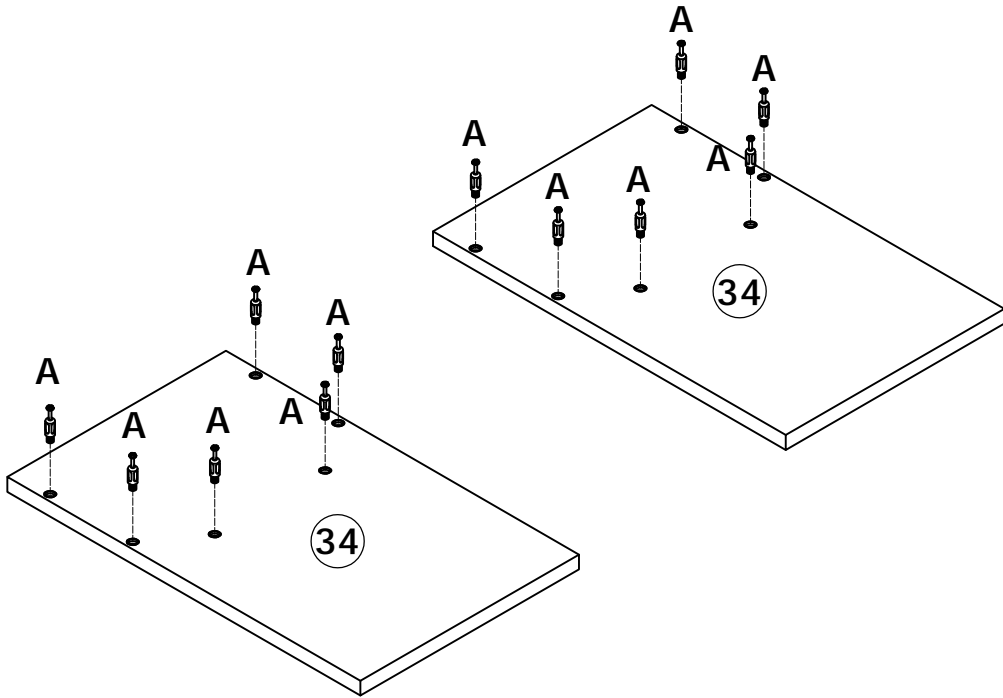
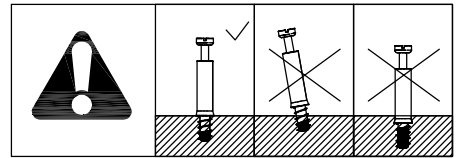


# 41




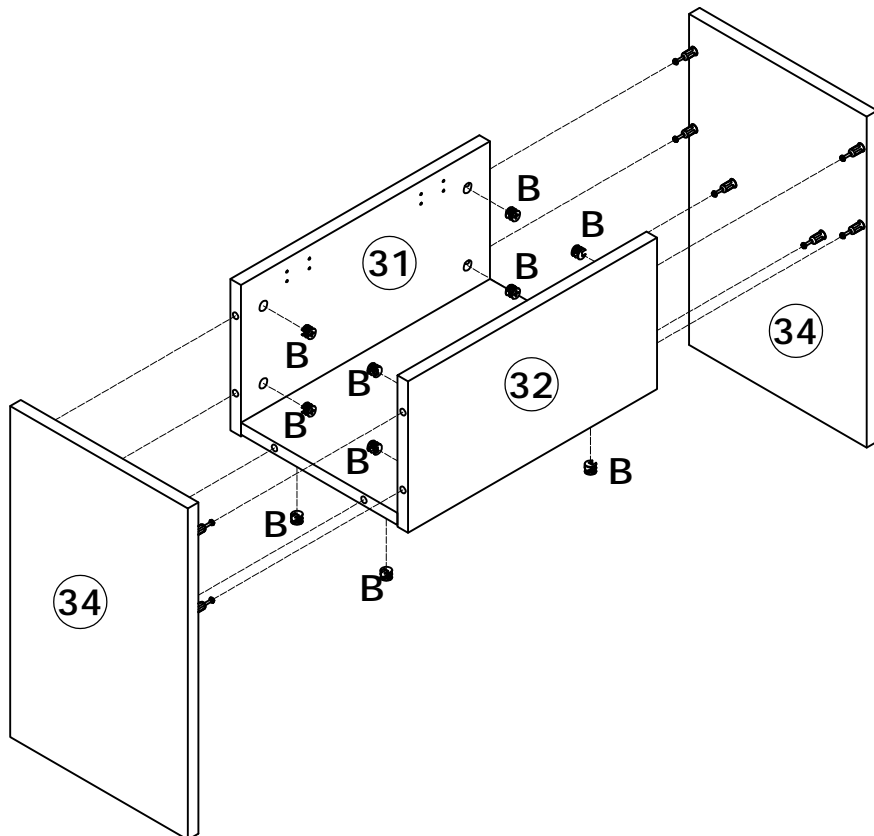
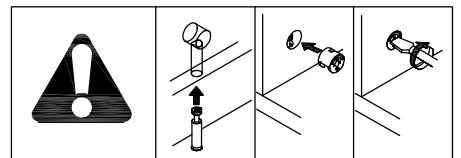
# 42

A x 12  
  
M6\*35mm





# 43

B x 12  
  
Ø12\*10mm



# 44

<p>D x 12</p>  <p>Ø3.5*12mm</p>	<p>G x 2</p> 
--	--

