

## NOTICE

\* Please make sure that you have all parts indicated and they are in good condition before you begin assembly of this item. Refer to part list and hardware list below for guidance.

\* This item should be assembled on a soft surface to prevent scratching the finish during assembly.

\* If you are having difficulty, our friendly Customer Care team is always here to help.

## PREPARATION

\* Before beginning assembly of product, make sure all parts are present. Compare parts with part contents list and hardware contents list.

\* If any part is missing or damaged, do not attempt to assemble the product.

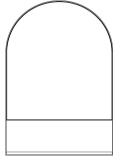
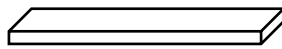

\* Estimated Assembly Time: **5 minutes.**

\* Tools Required for Assembly (included): Phillips Screw Driver

## CARE AND MAINTENANCE

Dust with a soft, dry cloth. Do not use abrasive cleaner. To clean glass, spray a small amount of glass cleaner onto a lint-free cloth and wipe glass clean.

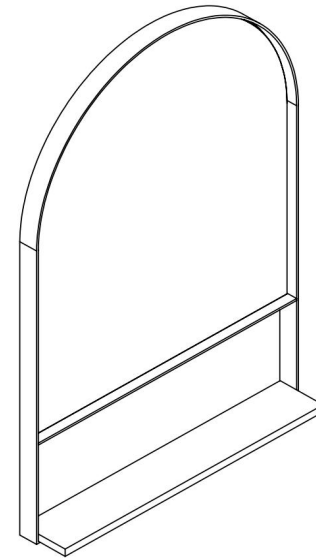
### Part List and Hardware List

PIECE	DESCRIPTION	PICTURE	QUANTITY
A	MIRROR		1X
B	Shelf Board		1x
HW1	Screw 4x16mm		8x

 **SAFAVIEH**  
FURNITURE

Model# MRR2009

Product Dimensions: 24"\*4"\*36"H



## PREPARATION

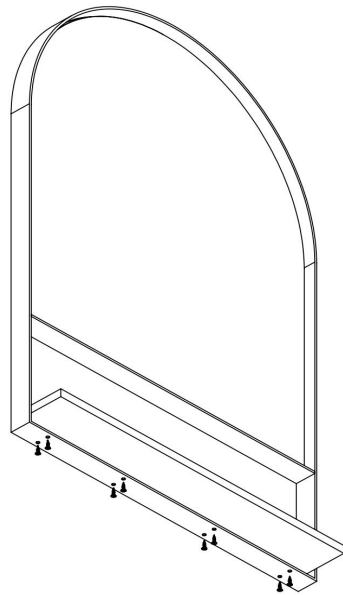
\*Before beginning assembly of product, make sure all parts are present. Compare parts with package contents list and hardware contents list.

\*If any part is missing or damaged, do not attempt to assemble the product.

\*Estimated Assembly Time: 5 minutes.

\*Tools Required for Assembly (included): Phillips Screw Driver

\* If you are having difficulty, our friendly Customer Care team is always here to help. Please email [customersupport@safavieh.com](mailto:customersupport@safavieh.com)



screw from the bottom of metal