

## ASSEMBLY INSTRUCTION

It would be best if you set aside and organize all pieces & corresponding {nuts/bolts} fist  
Please follow the instructions to assemble the items correctly.

Could be assembled by one person, but would recommend two.

Do not make the screws too loose or too tight.  
As shown in figure, insert the screw into the hole.  
Then rotate 90 or 180 clockwise.

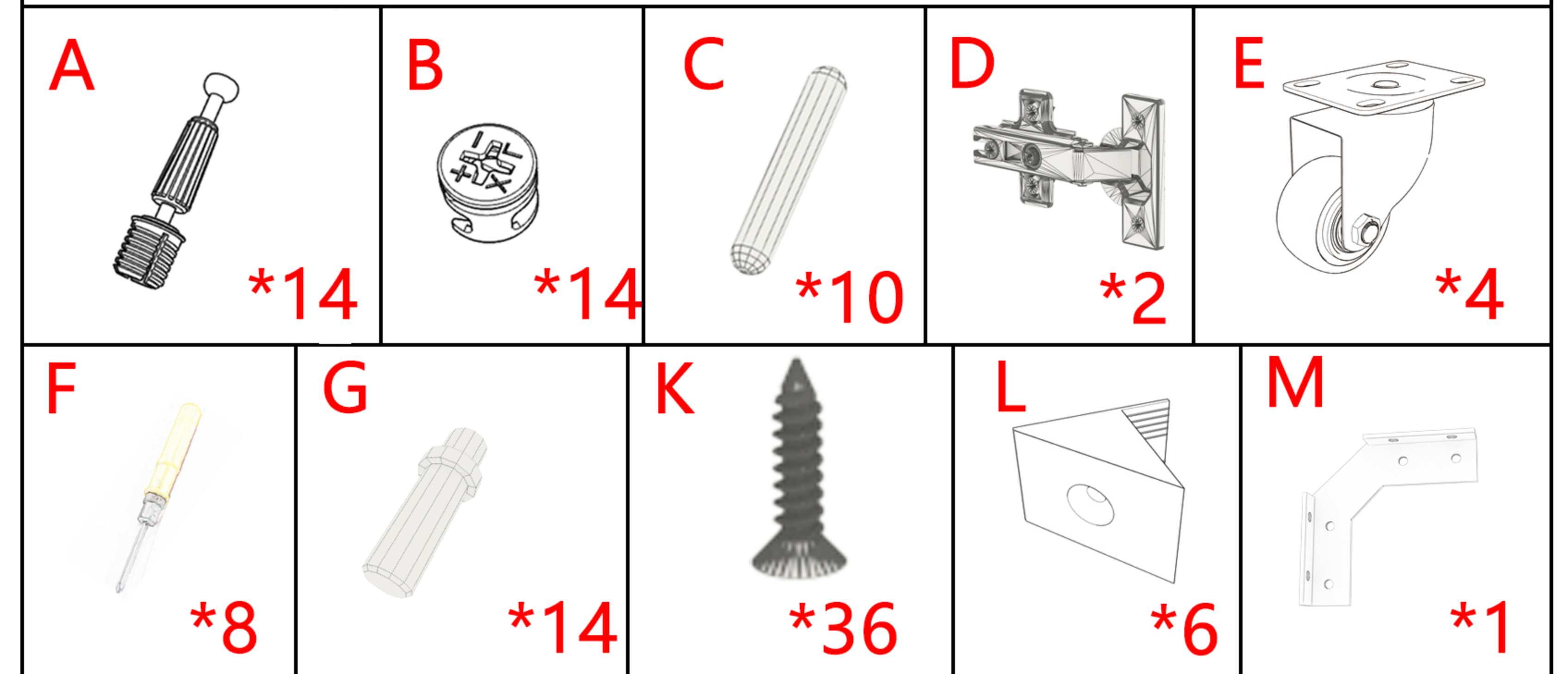
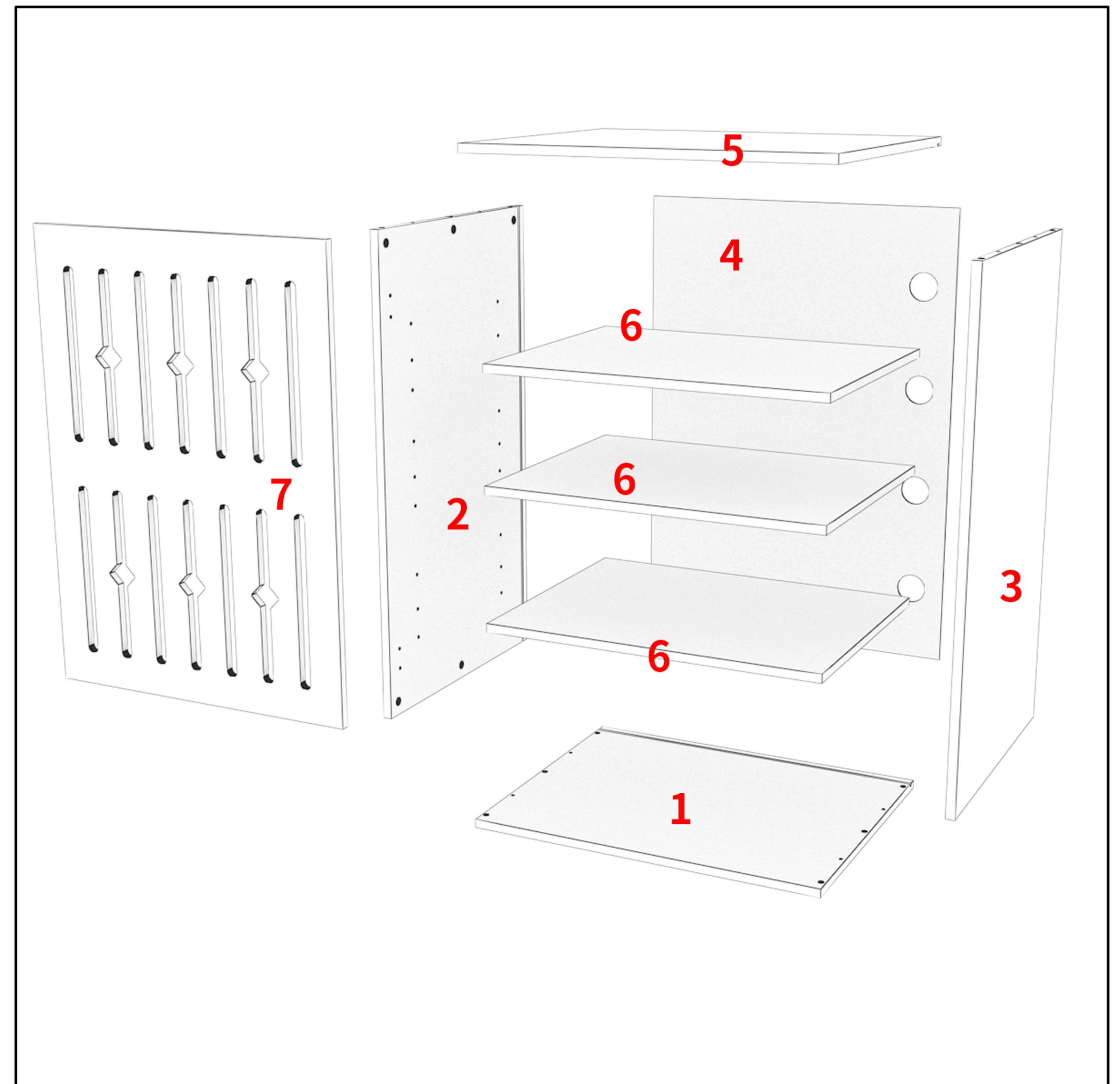
The remaining parts are spare parts.

## SAFETY INFORMATION

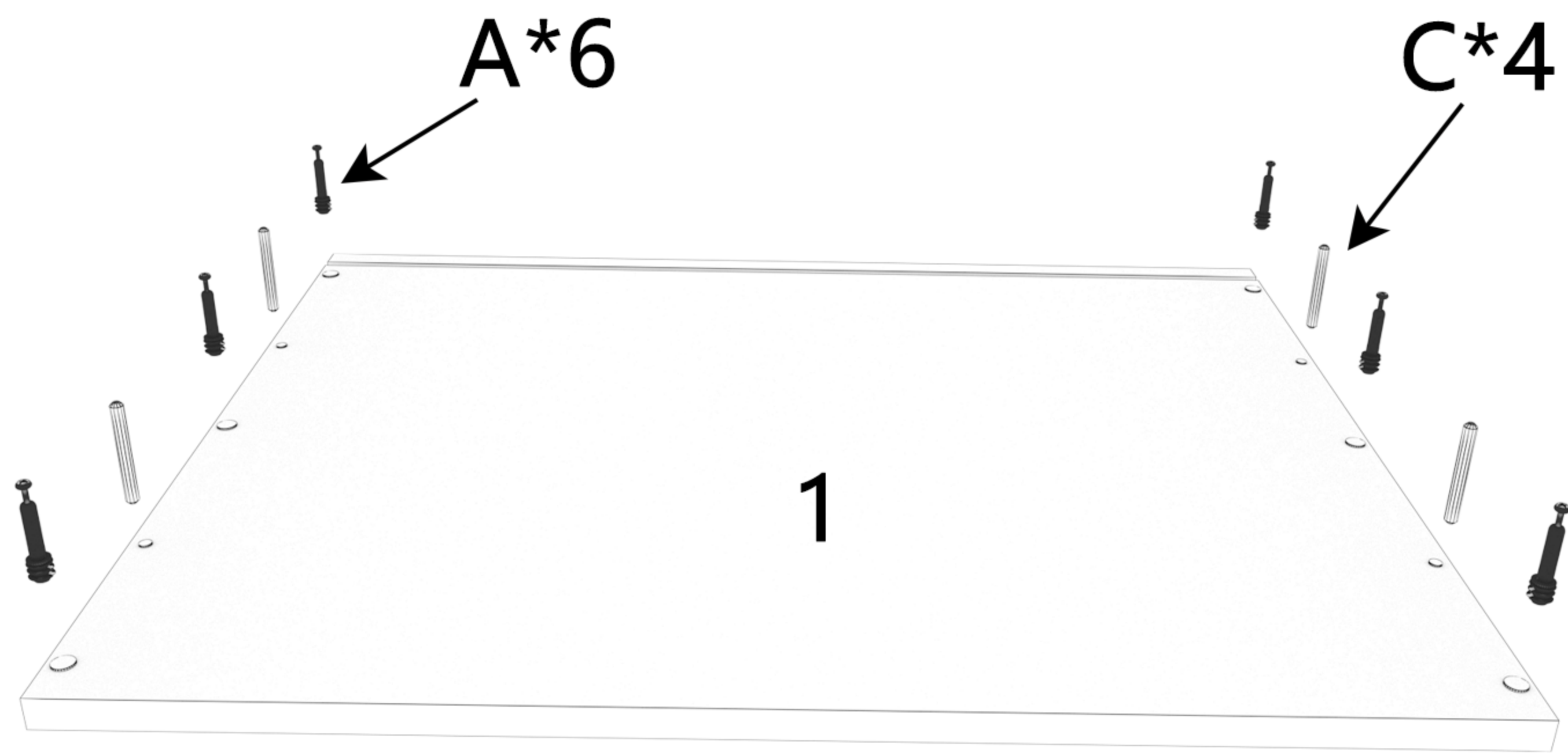
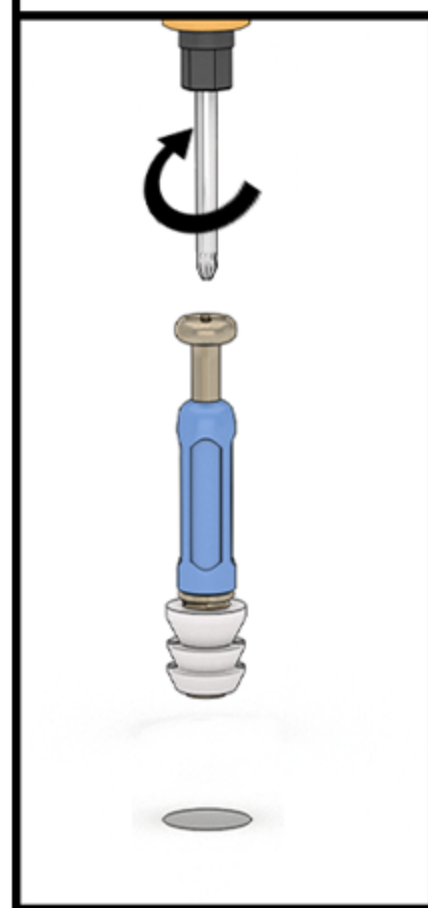
The accessory bag contains some small accessories, which

should be kept away from children.

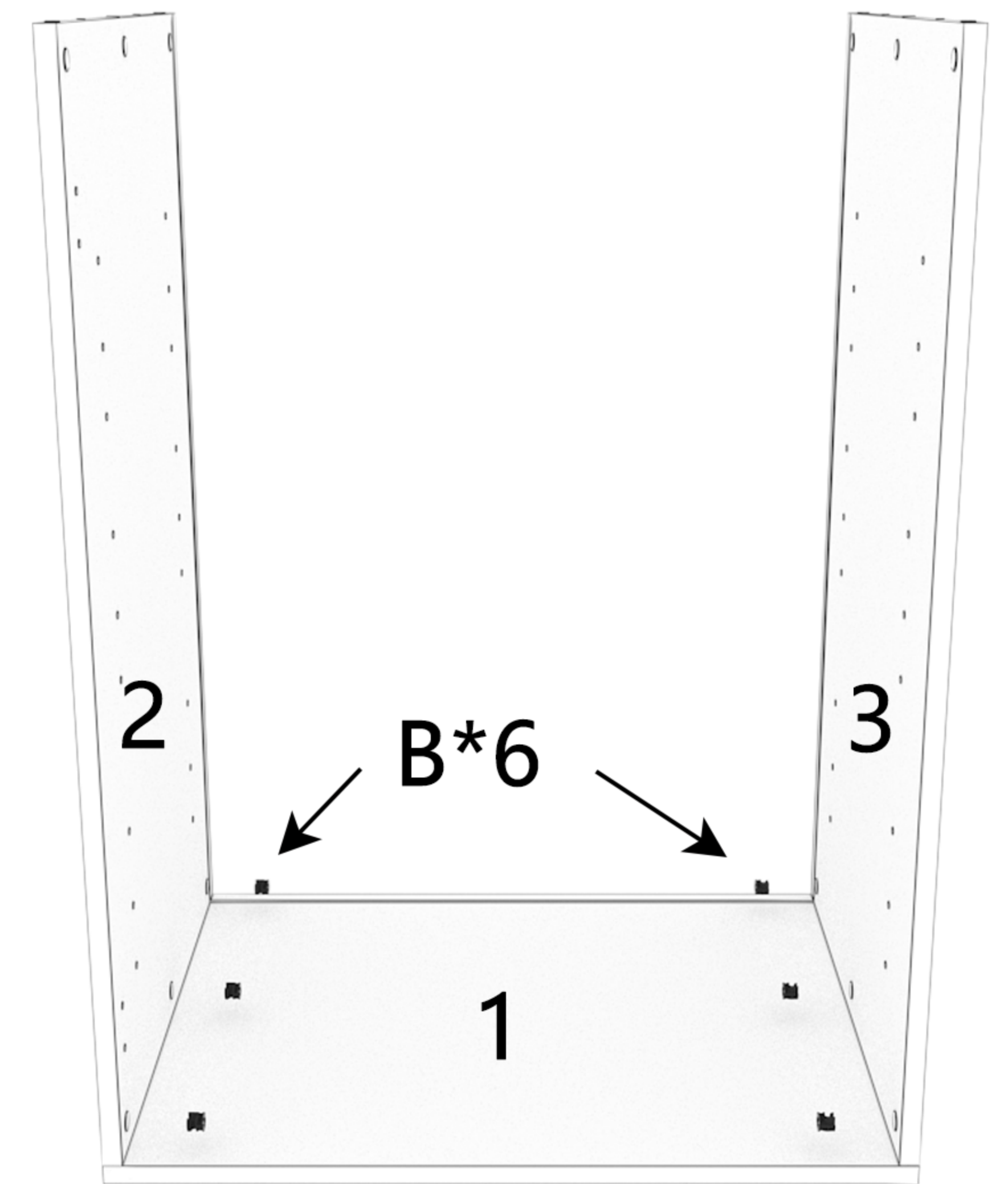
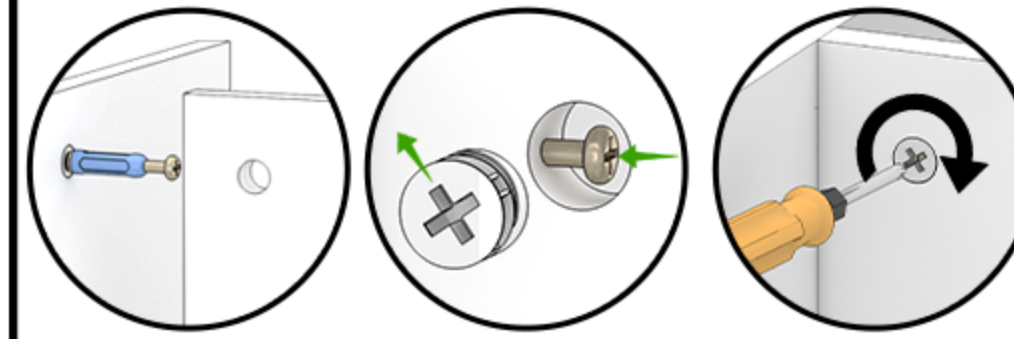
Kids are not allowed to climb or play with product for safety reasons.



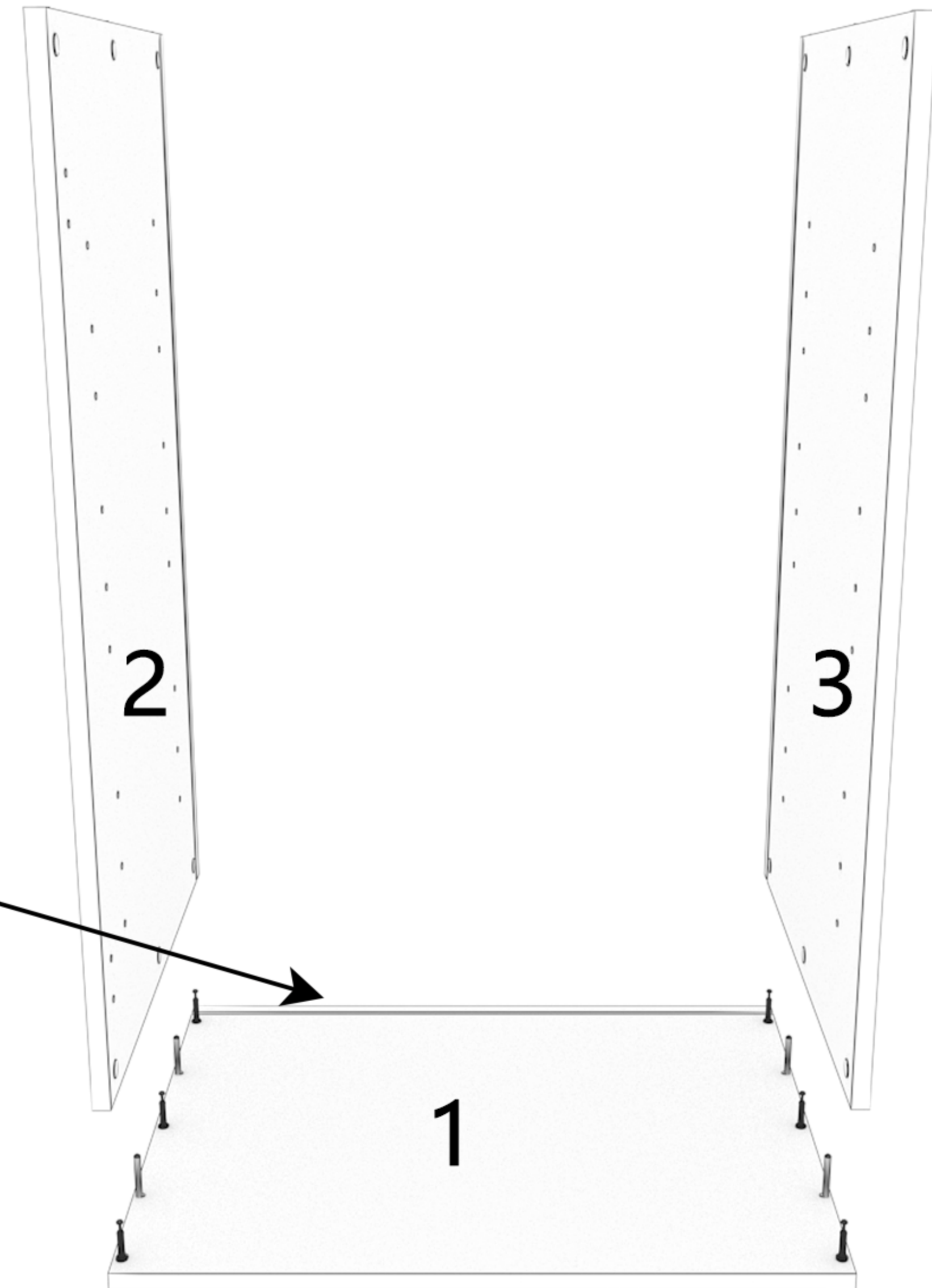
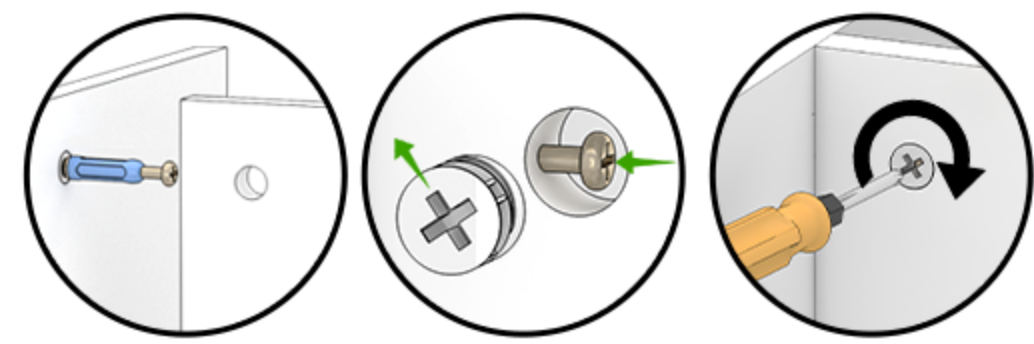
# STEP1



# STEP3

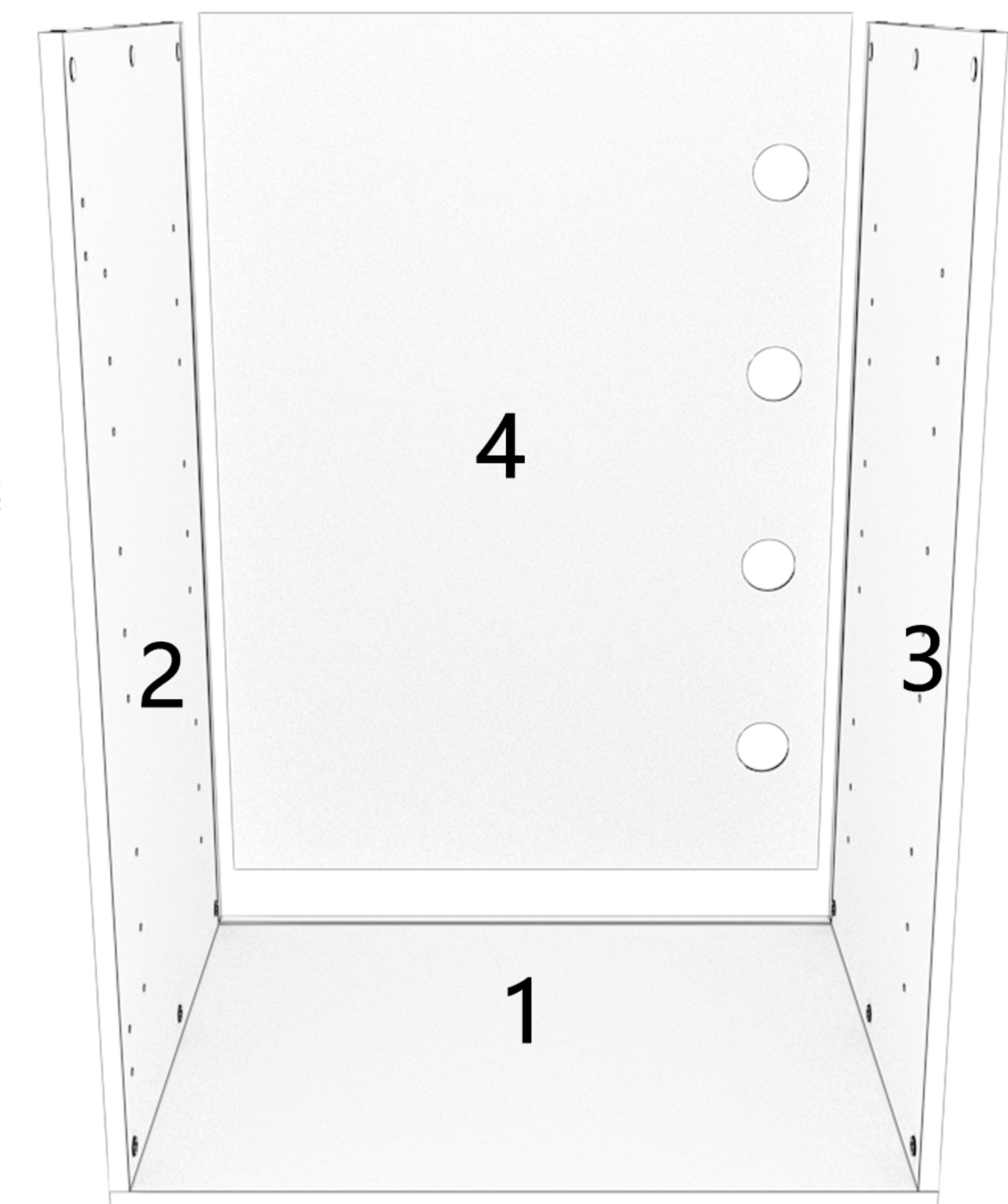
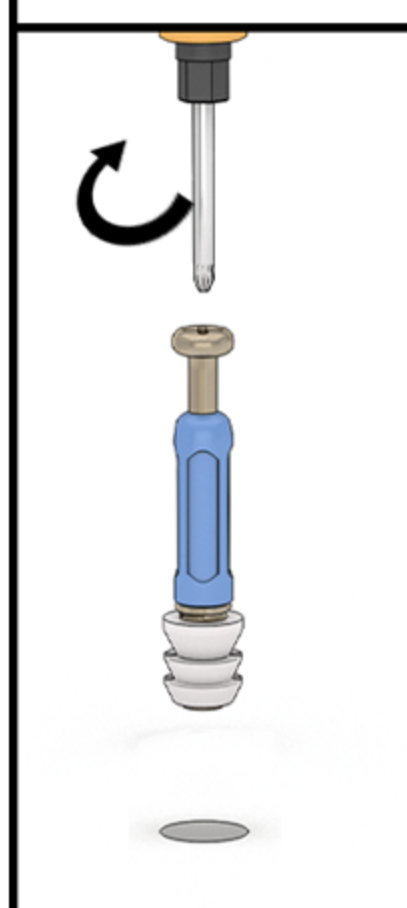
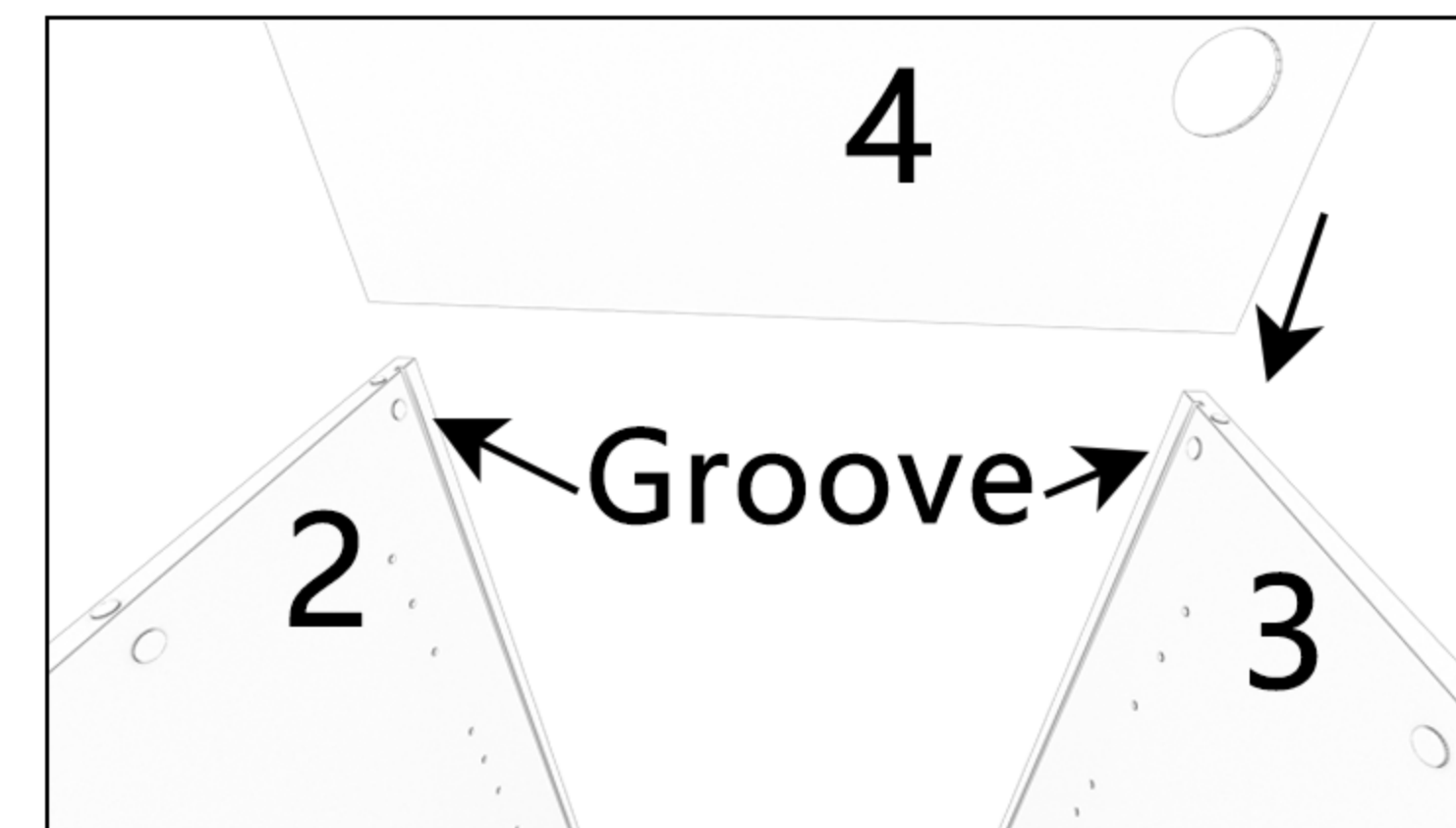


# STEP2

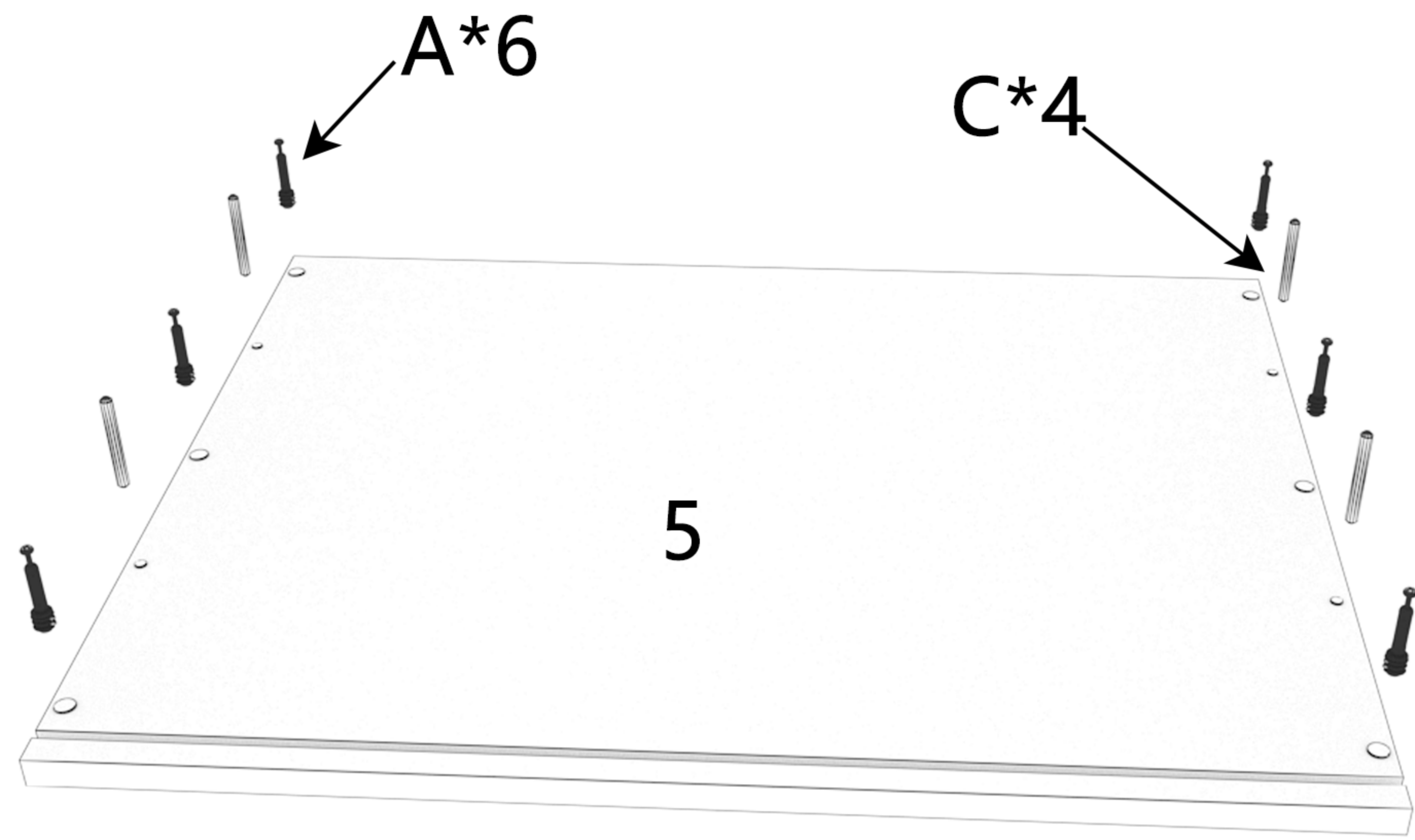
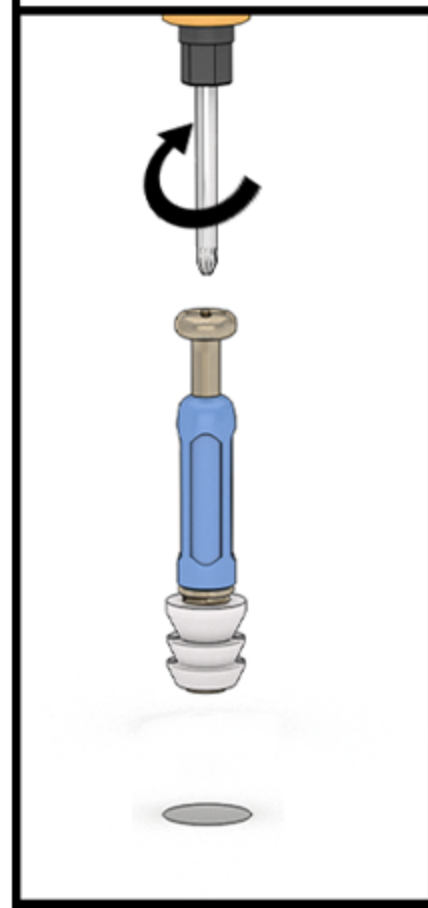


The grooves are in the same direction

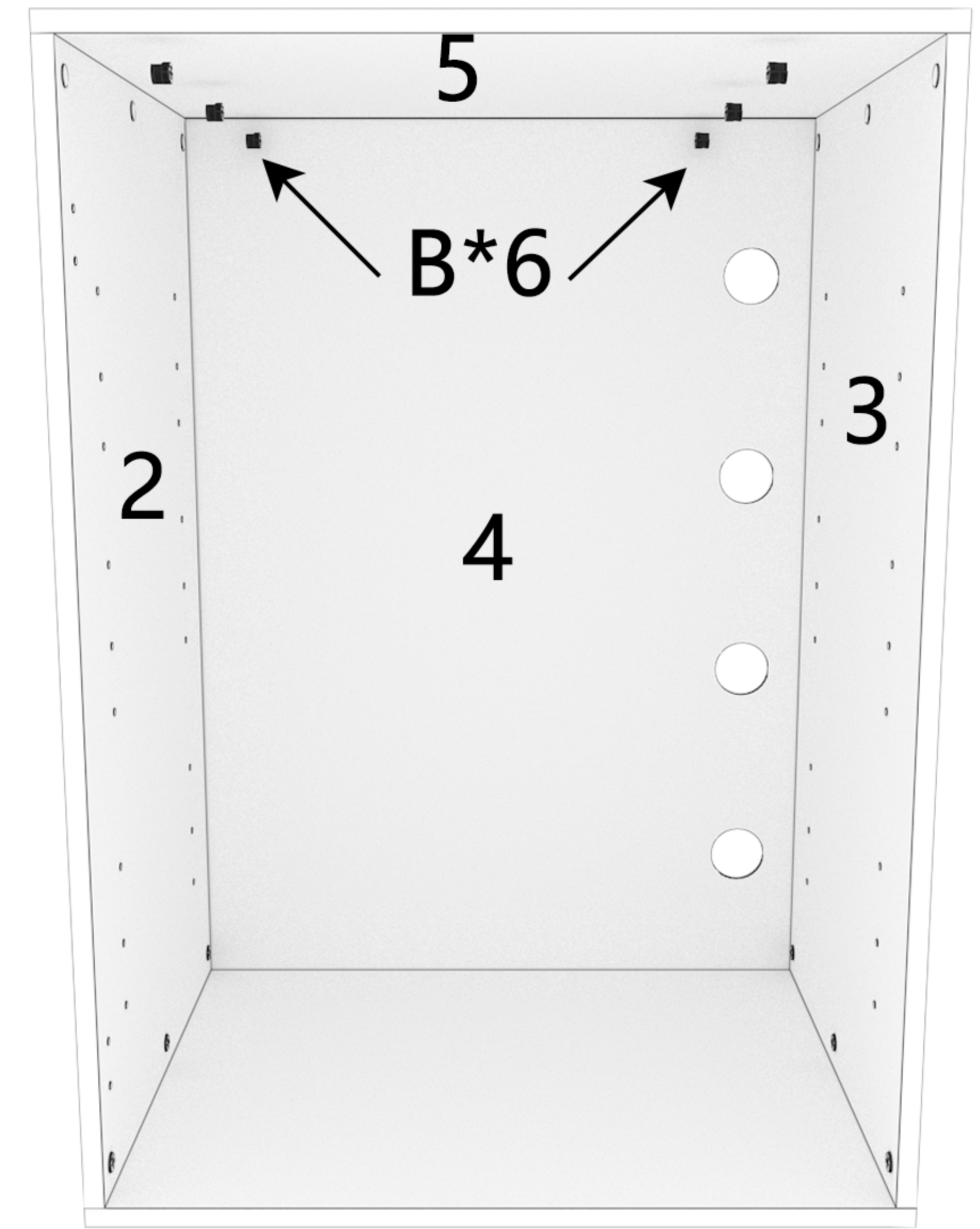
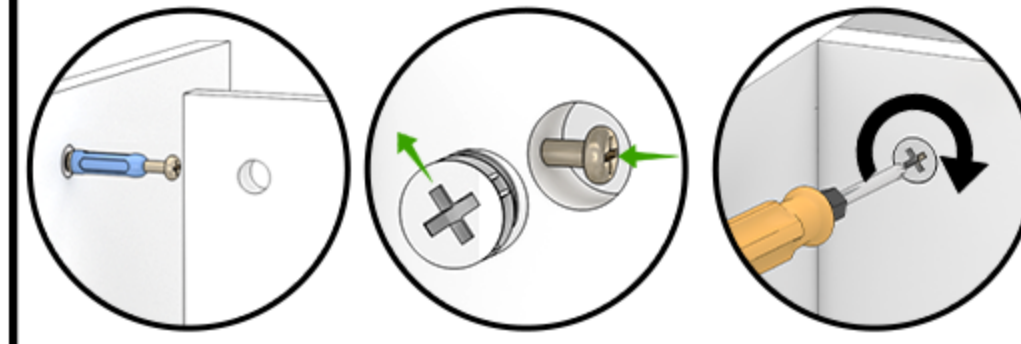
# STEP4



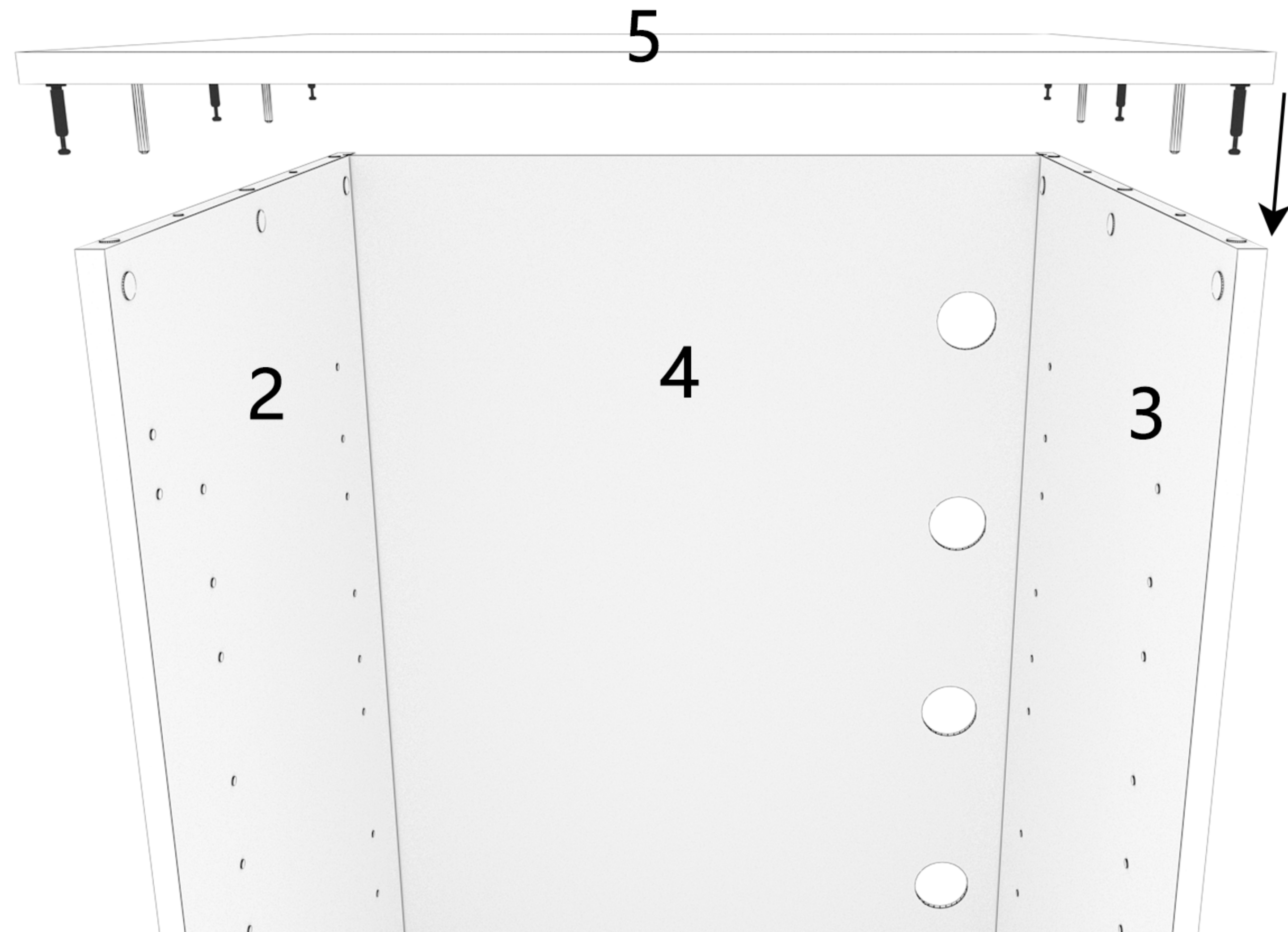
### STEP5



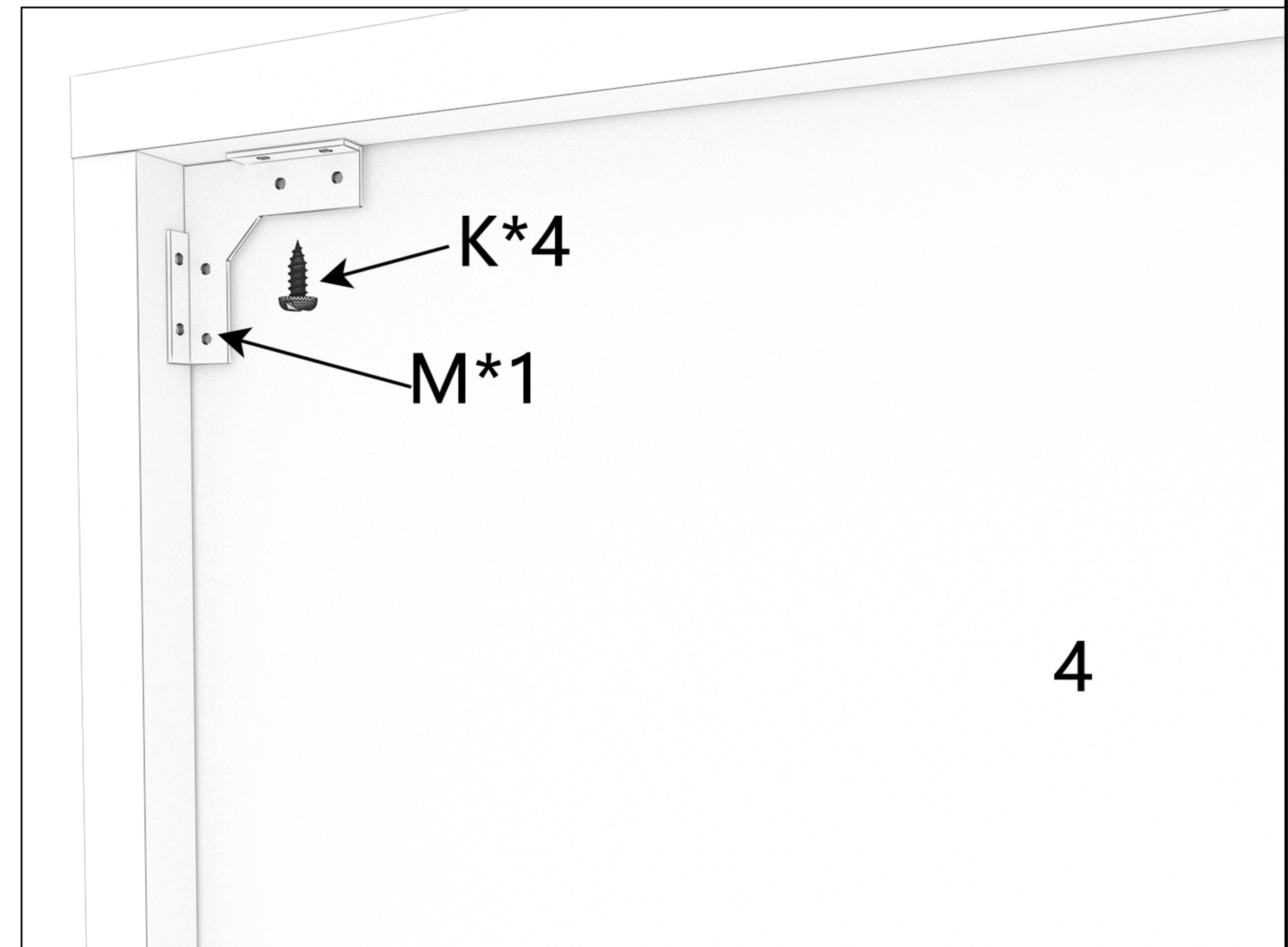
### STEP7



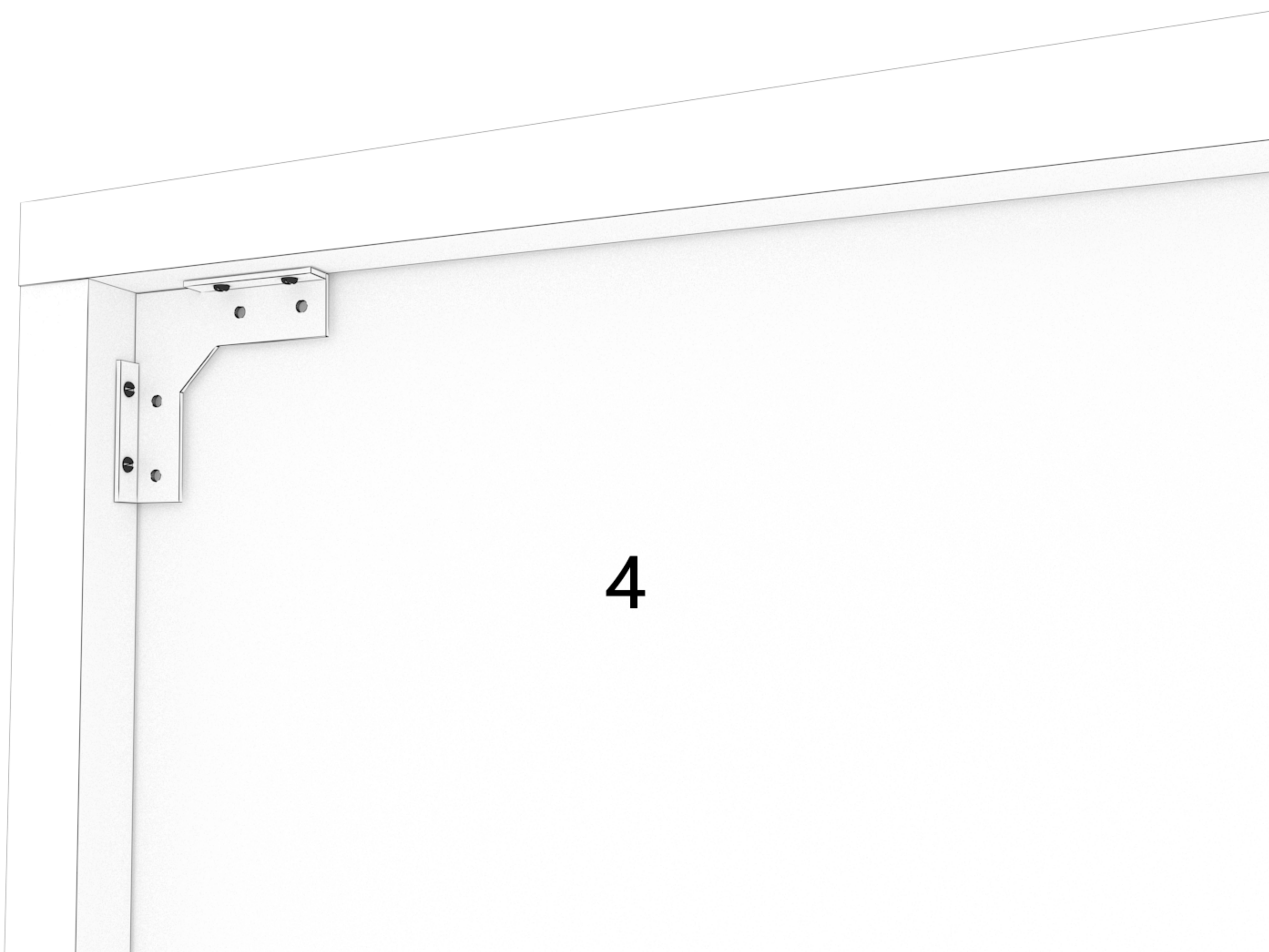
### STEP6



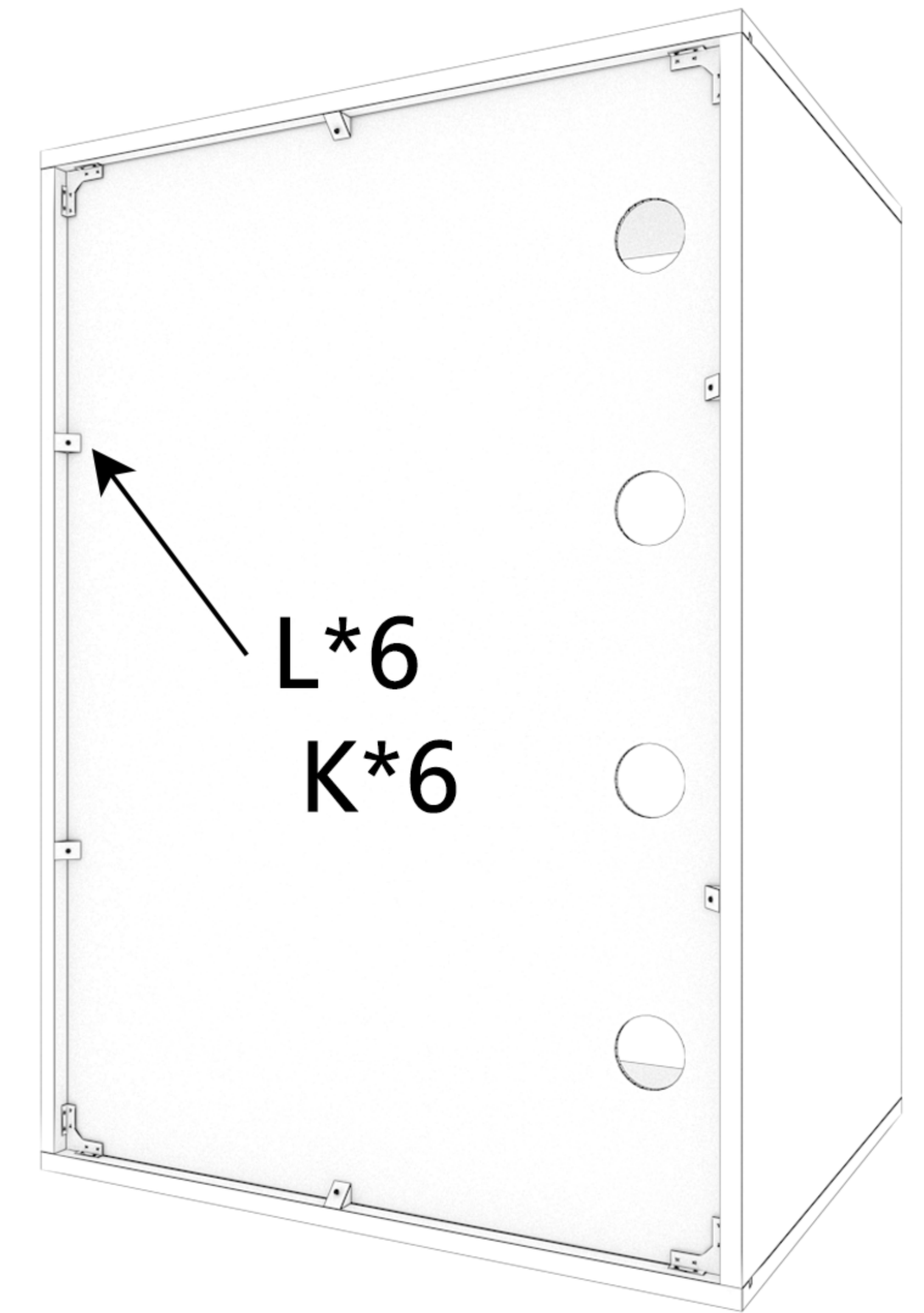
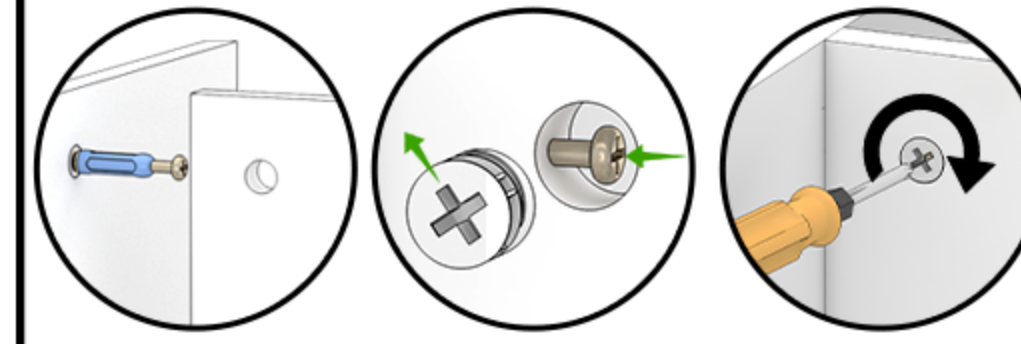
### STEP8



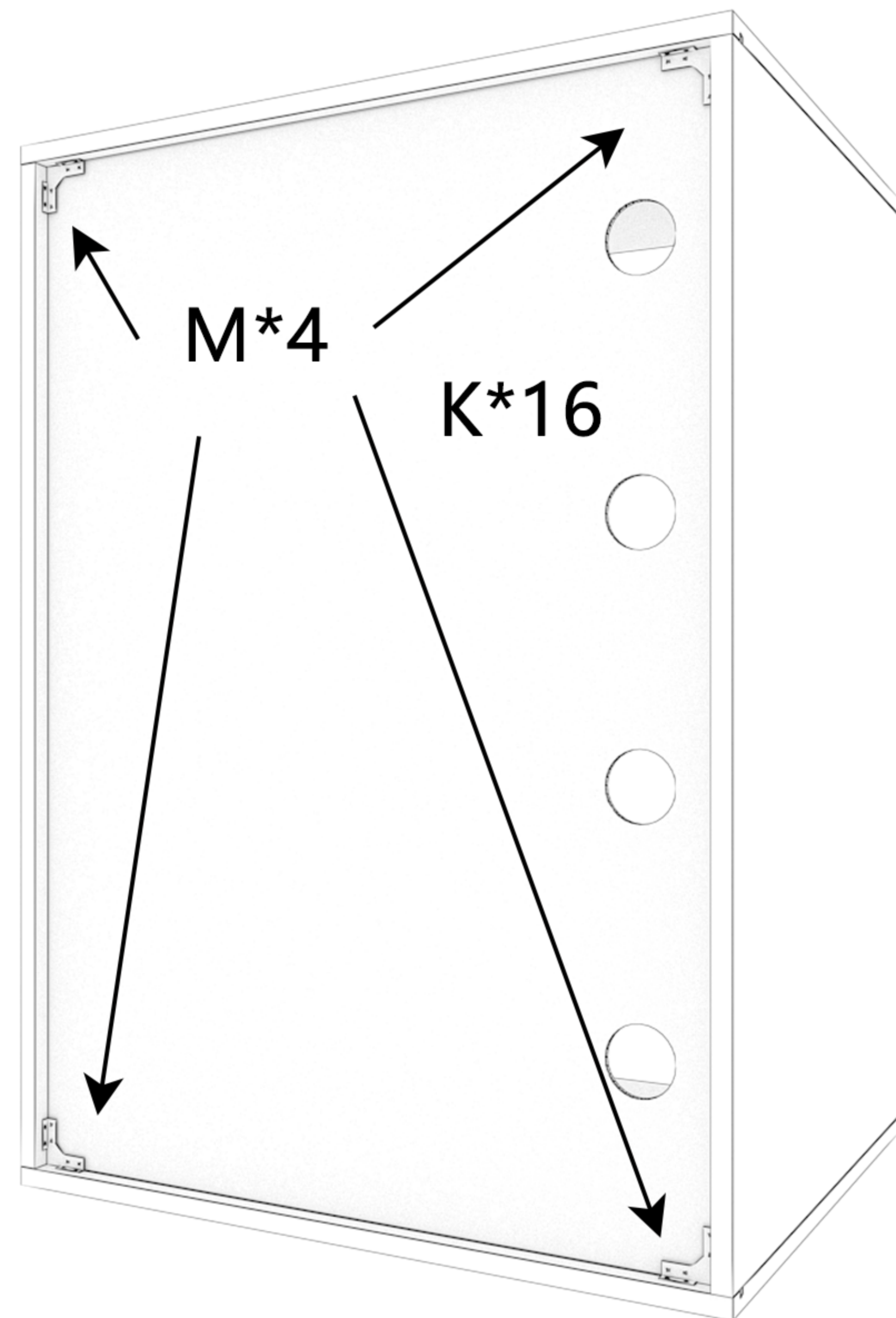
# STEP9



# STEP11



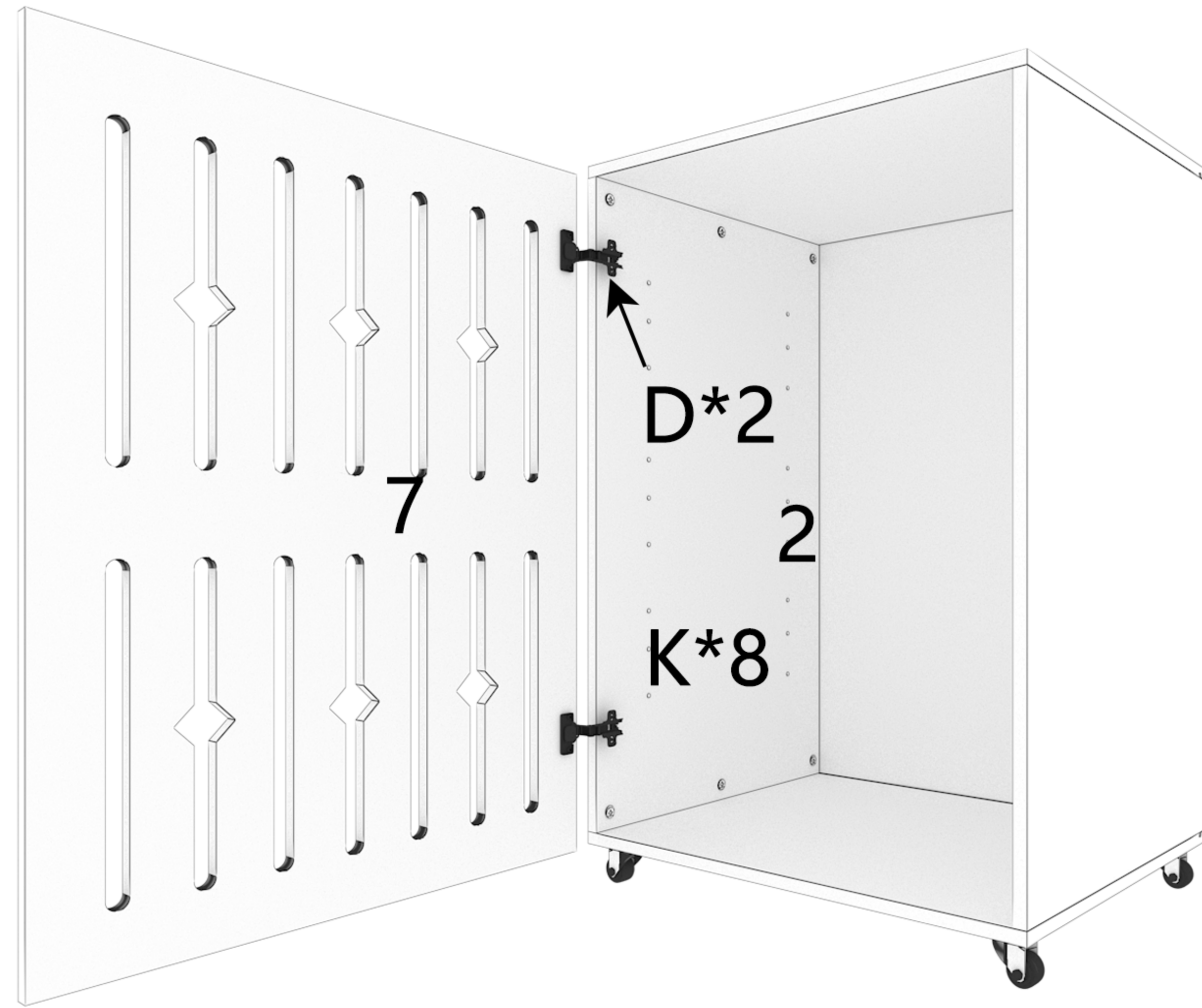
# STEP10



# STEP12



# STEP13



# STEP15



# STEP14

