



Twin Platform Bed with Wood Slat Headboard

ASSEMBLY INSTRUCTIONS

Before You Begin: **Phillips screw driver required for assembly (Not Included).**

Please identify all component parts and hardware pieces required before you begin. Carefully remove all of the components from the packaging and set aside for assembly. Assemble on a soft surface to prevent scratching during assembly.

Caution:

Tighten all components securely before use. Failure to do so may result in personal injury.

DO NOT use any sharp objects to open plastic wrapped components as damage to product or components may result.

Warning:

CHOKING HAZARD - Small Parts. Adult Assembly Required.

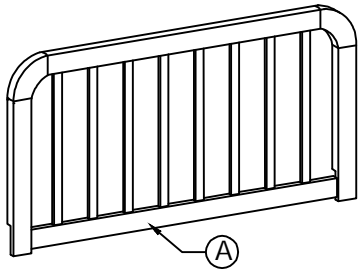
DO NOT ALLOW CHILDREN TO CLIMB ON FURNITURE

Serious or fatal injuries can occur from furniture tipping over. You must install Tipping Restraint Hardware (where included) to help prevent the unit from tipping and causing accidental injury, instability, death or damage.

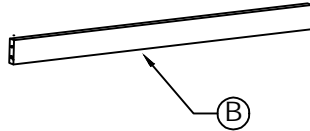
The tipping restraint is intended only as a safety measure, it is not a substitute for proper adult supervision.

To help prevent furniture from tipping over it must be permanently attached to the wall. Anti-Tip Safety Wall Straps suitable for the unit weight and wall materials (if not included) should be purchased and installed.

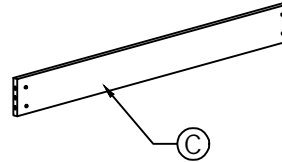
Parts List



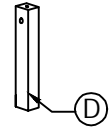
Headboard Panel x 1



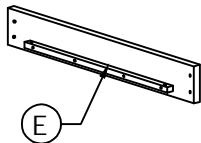
Headboard Support x 1



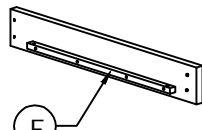
Footboard Panel x 1



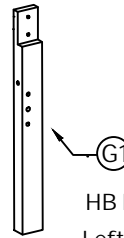
Support Leg x 2



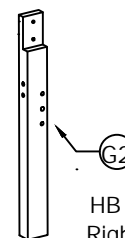
Side Rail (L) x 2



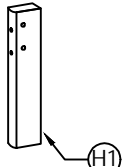
Side Rail (R) x 2



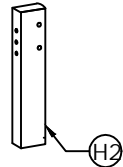
HB Post
Left x 1



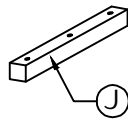
HB Post
Right x 1



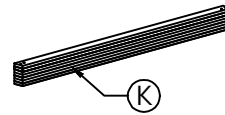
FB Post
Left x 1



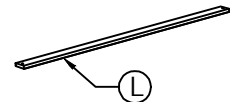
FB Post
Right x 1



Support Bars
x 2



Bed Slat x 2 sets

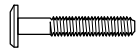


Bed Slat (Center) x 1pc

Hardware List



① M6 x 15mm JCBC
x 8



② M6 x 30mm JCBC
x 4



③ M6 x 40mm JCBC
x 8



④ M6 x 50mm JCBC
x 4



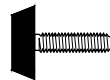
⑤ M6 x 90mm JCBC
x 14



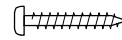
⑥ M6 x 100mm JCBC
x 2



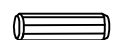
⑦ Barrel Nut
x 16



⑧ Adjustable
Foot x 2



⑨ Wood Screw
(M4 x 32mm)
x 20



⑩ Wood Dowel
(10x40mm)
x 8



⑪ 7001 Metal
Bracket x 2



⑫ Spring Washer
(M6) x 4



⑬ Flat Washer
(M6) x 10



⑭ Flat Washer
(M8) x 4

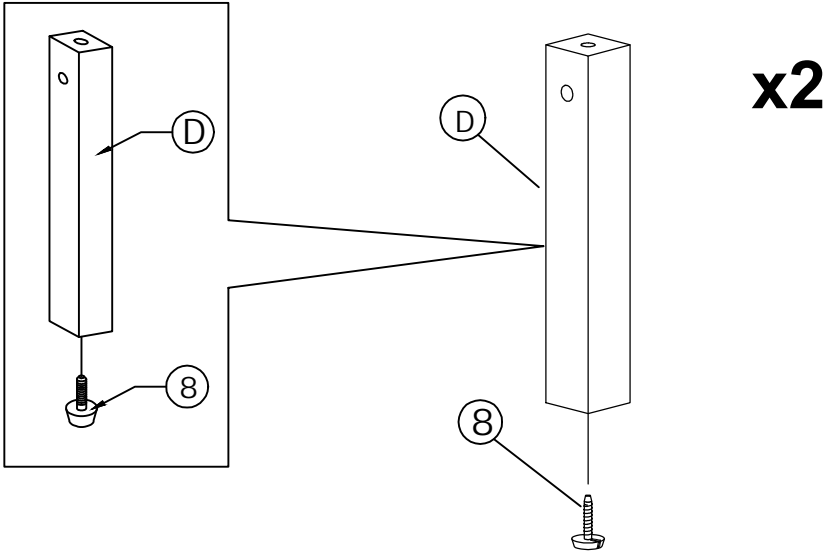


⑮ JCN NUT
x 4



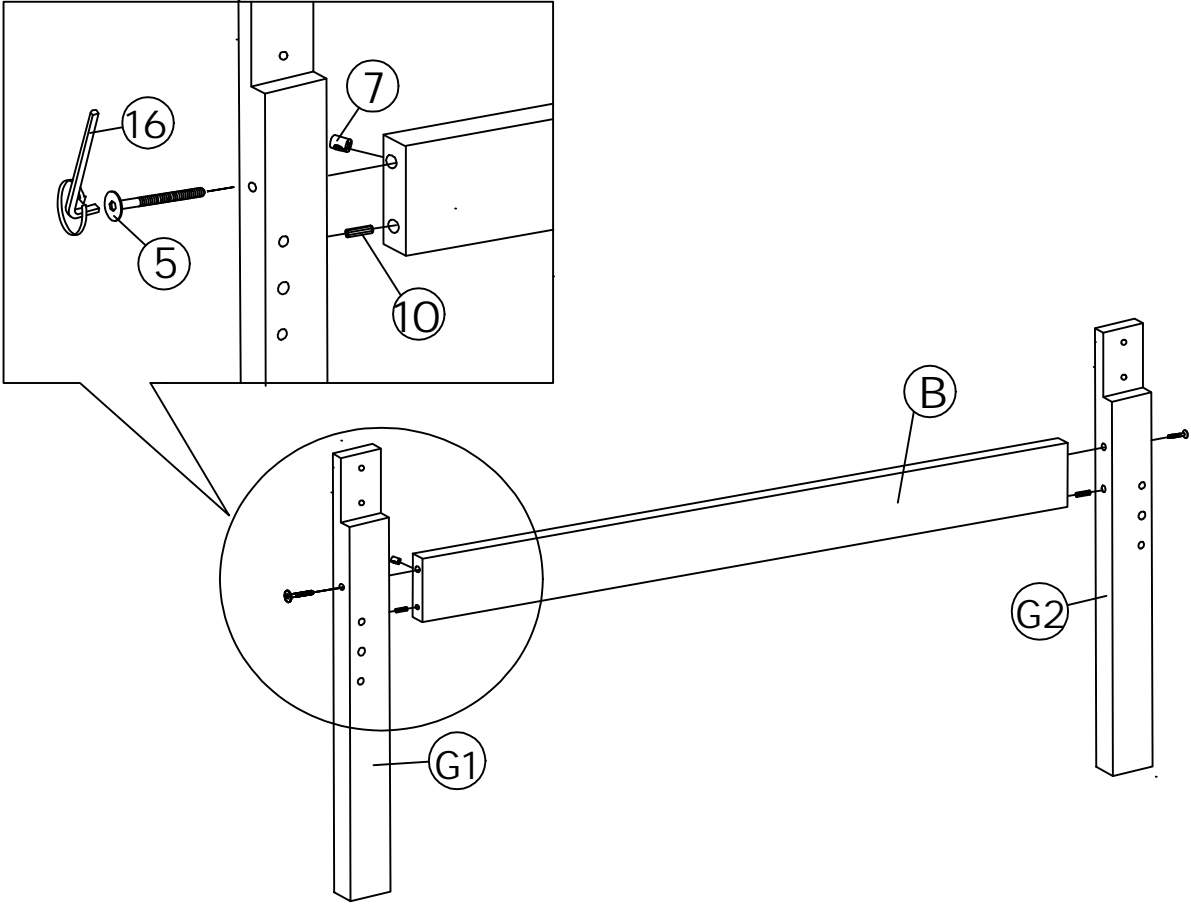
⑯ M4 Allen Key
x 1

STEP 1:



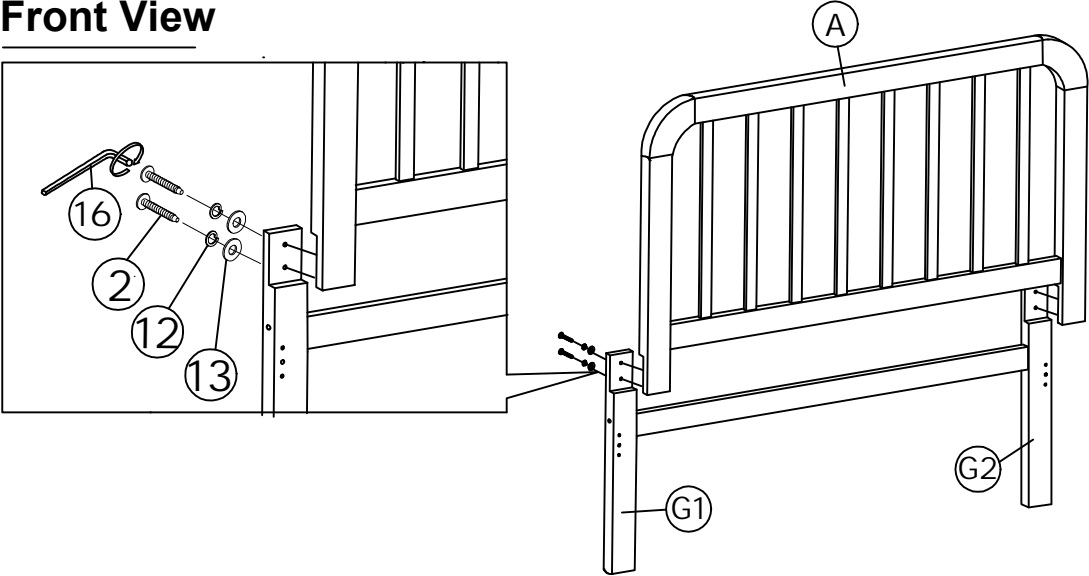
STEP 2:

Front View

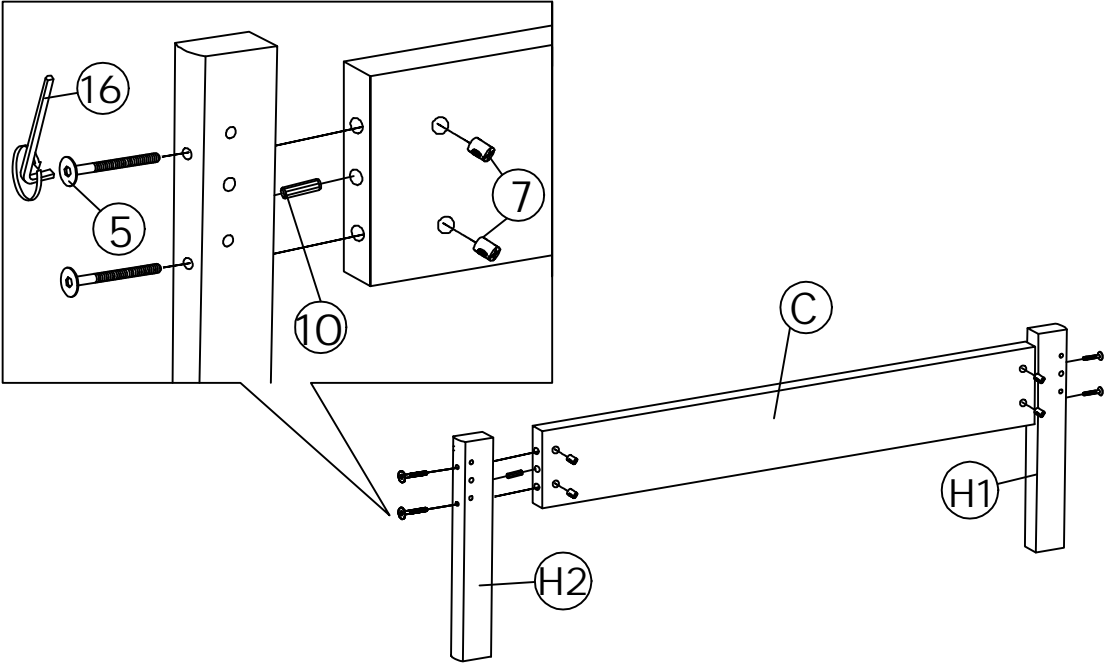


STEP 3:

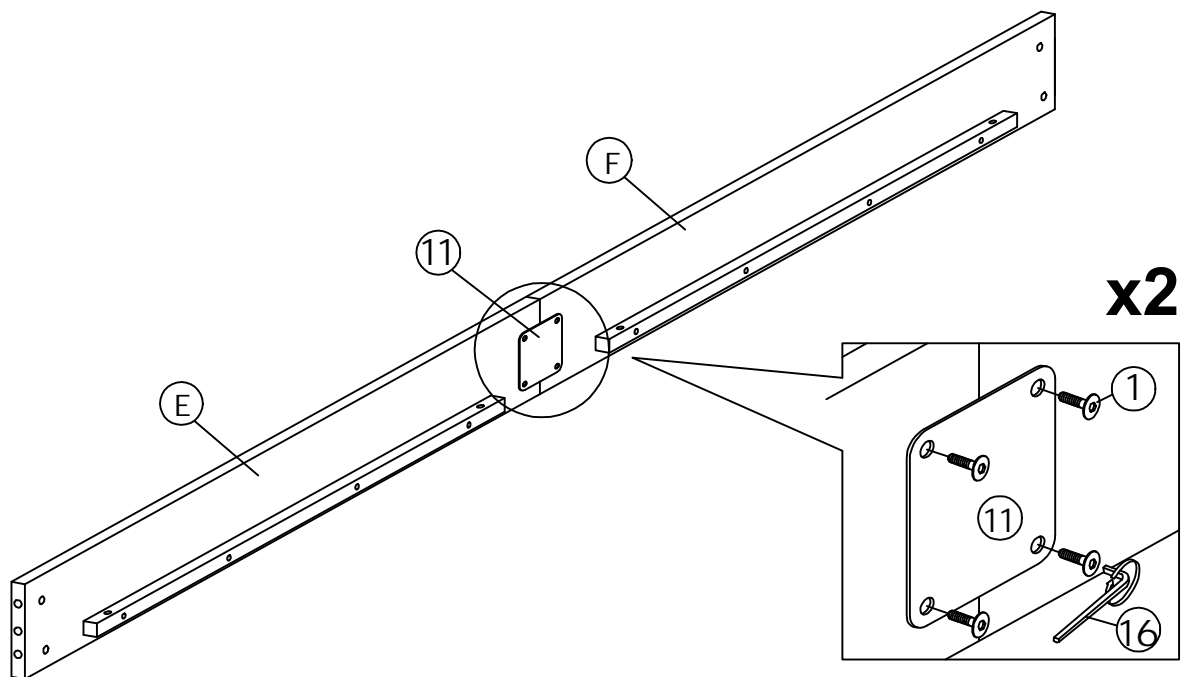
Front View



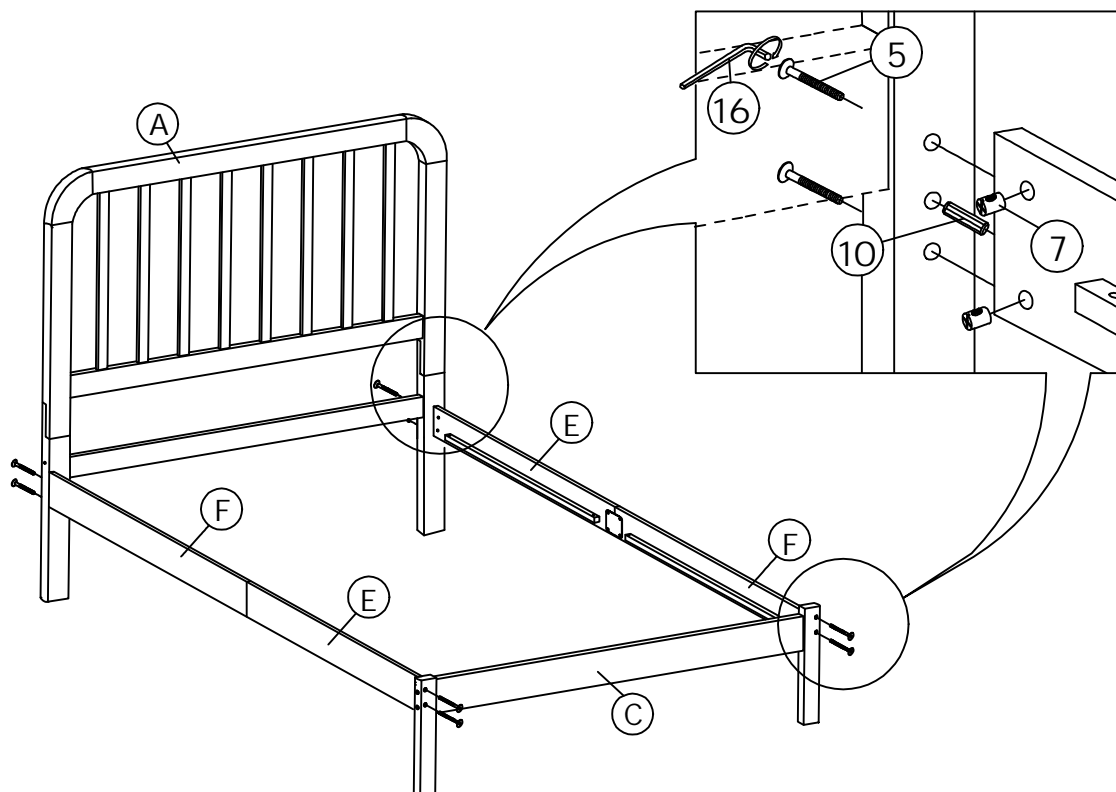
STEP 4:



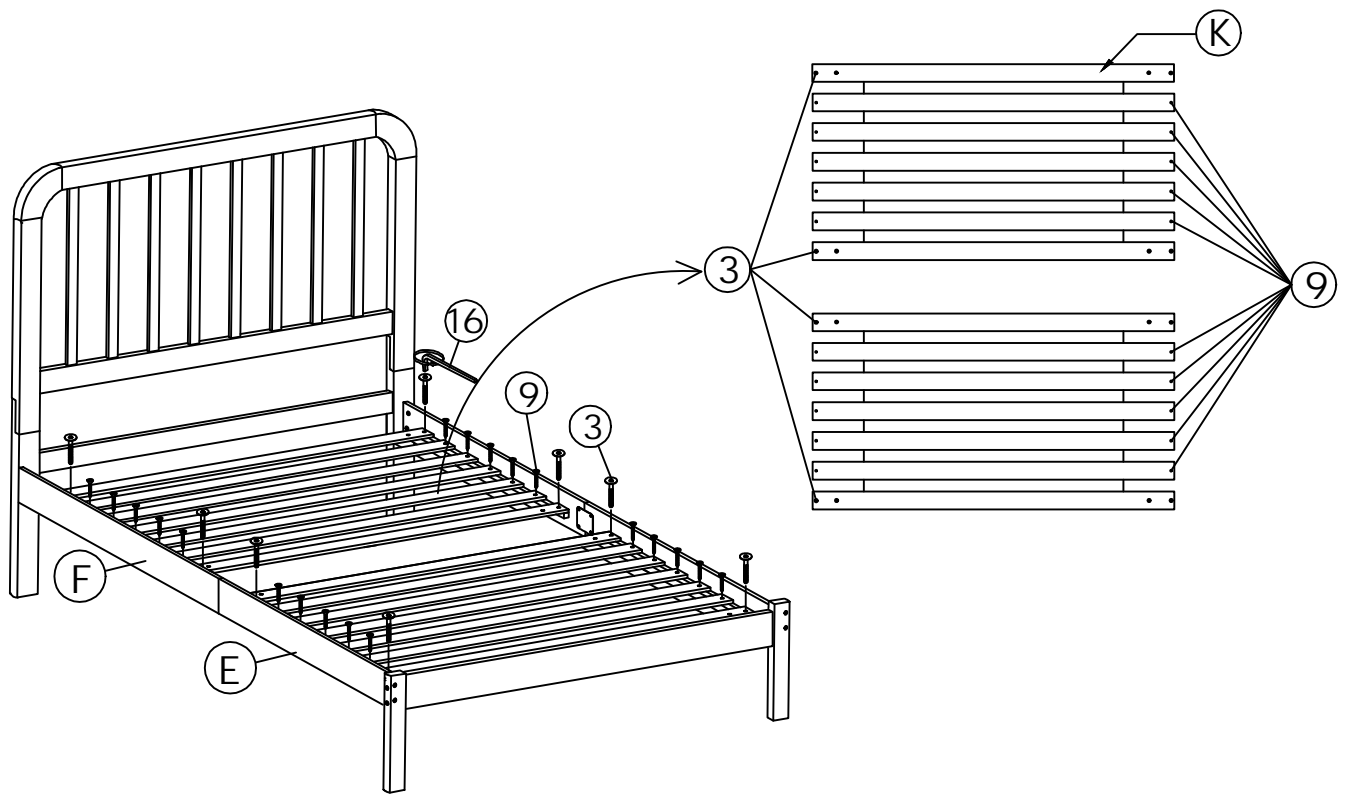
STEP 5:



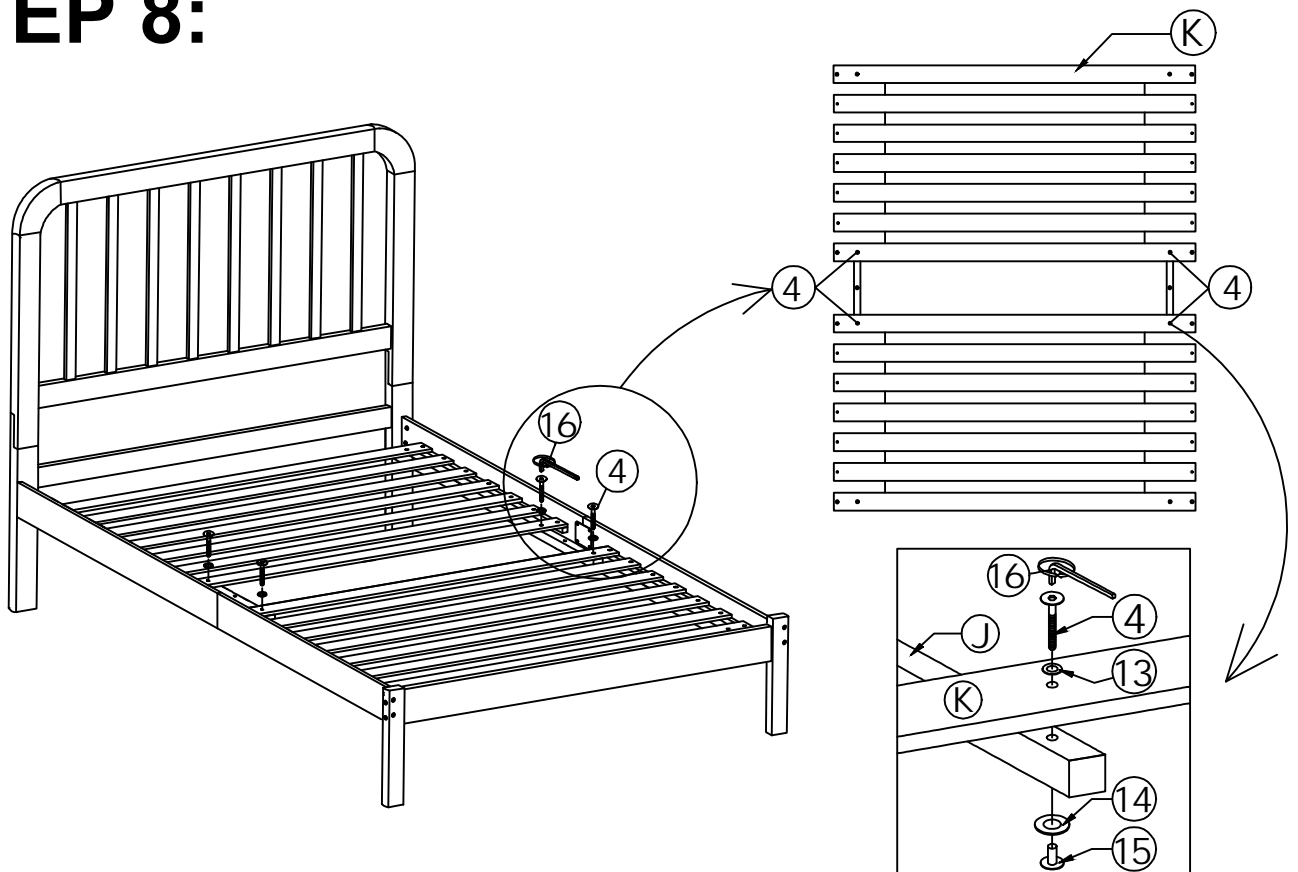
STEP 6:



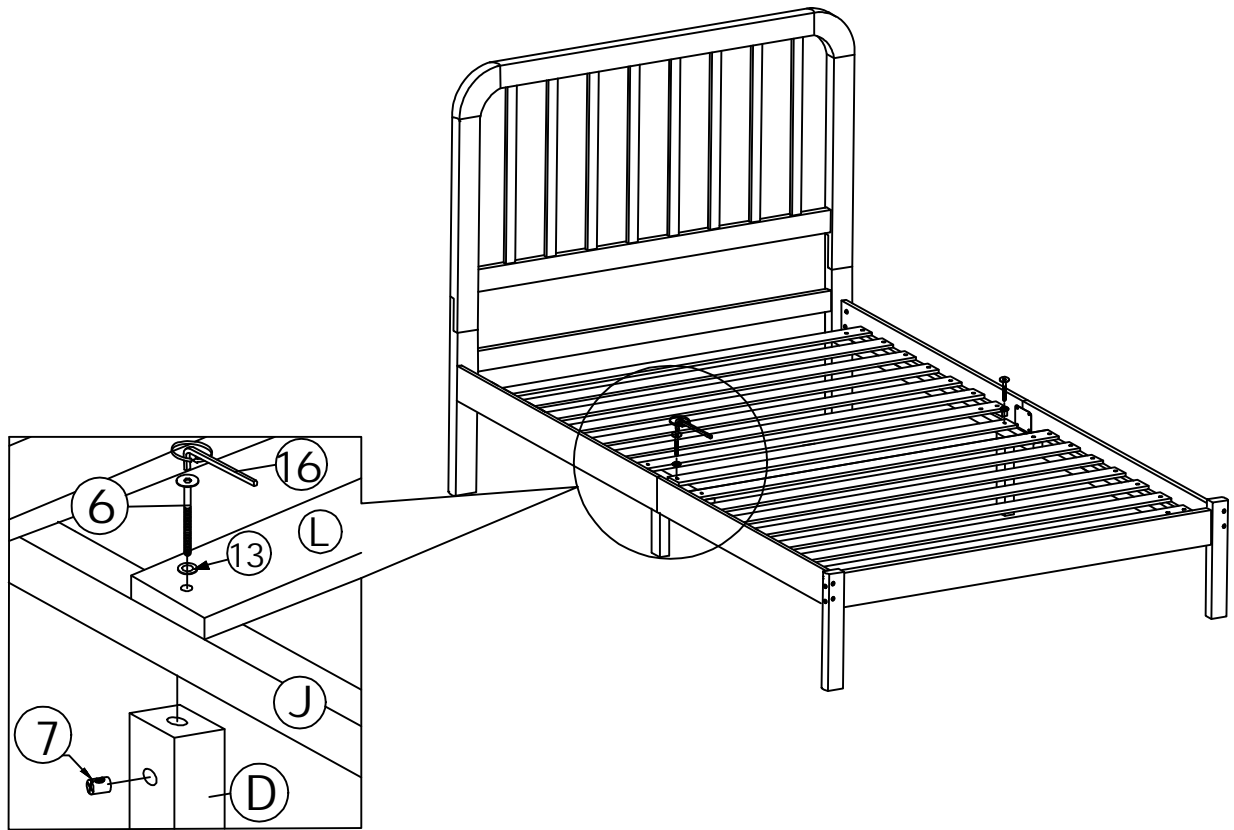
STEP 7:



STEP 8:



STEP 9:



Quality and Safety Guidelines

- Please use this item on a stable, level surface only. If any of the legs are not contacting the flooring surface, do not use. Do not use this item if any instability is detected.
- Carefully follow all of the assembly instructions. If all of the parts are not provided, please do not use this item. Please email us for assembly instructions.
- This item is intended for indoor use. Store indoors also.
- Do not drag or slide the bedframe when repositioning it. Team lift the bedframe and move it carefully without sliding the legs in any manner.
- This item is intended for lying down, do not jump, climb, hang or stand on this item.
- Do not use this bed with infants or Children under **6** years old. Adult supervision required.
- Do not attach or hang anything from any part of the bedframe.
- Do not use this item without an approved mattress.
- For product longevity, product safety and product integrity, please email us for storage instructions.
- Please visit [website](#) for our product warranty details or email us.
- For maintenance instructions and replacement parts, please email us
- Please follow the static and dynamic weight capacity limits provided on this item. If you are unsure of the weight capacities for this product, email us.
- Please inspect this product regularly to make sure there are no damaged or worn parts. Also inspect to make sure all hardware is tightened correctly and securely. For inspection instructions, please email us.
- If any parts are damaged or worn, please stop using the product. Repair this product with manufacturer supplied parts only.