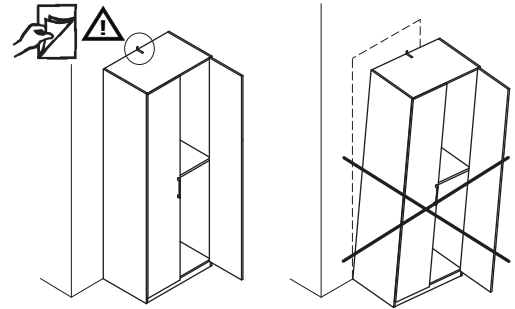
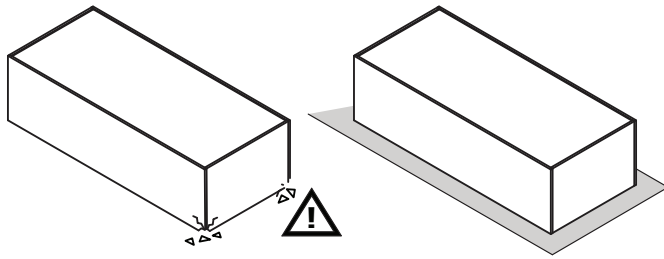
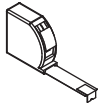
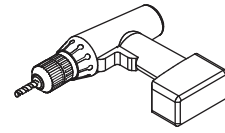
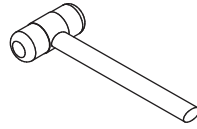
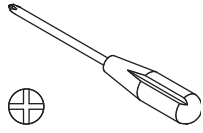
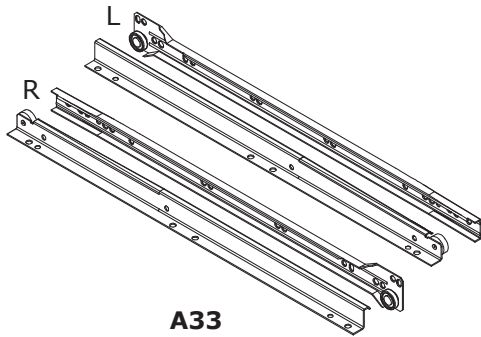


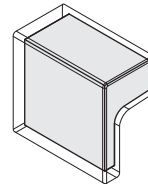
2,5h



BU4344

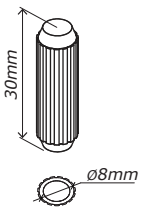


A33
x3

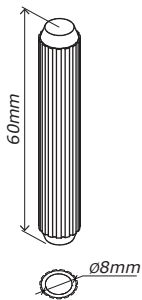


M211
x3

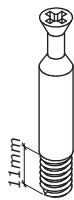
BU4302



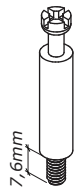
H1
x24



H82
x4



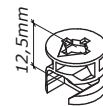
T28
x32



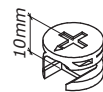
T103
x8



T53
x4



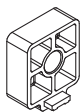
T7
x28



T98
x12



R40
x24



H281
x12



V114
x12



V5
x57



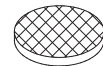
H2
x45



V137
x6



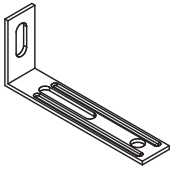
H15
x9



H139
x8



V81
x4



H185
x2



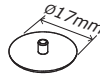
H129
x4



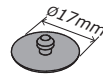
H113
x8



H210
x1



G128
x12



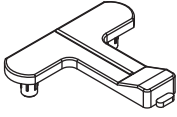
G32
x16



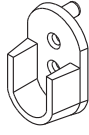
V115
x4



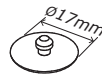
G103
x2



H117
x1

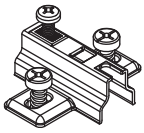


R19
x2

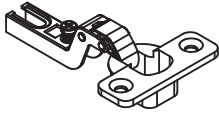


G57
x4

BU4335



B40
x2

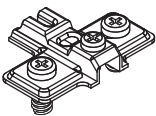


C39
x2

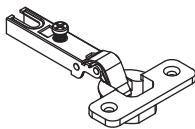


V5
x4

BU0347



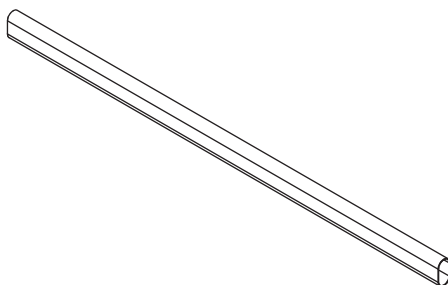
B9
x8



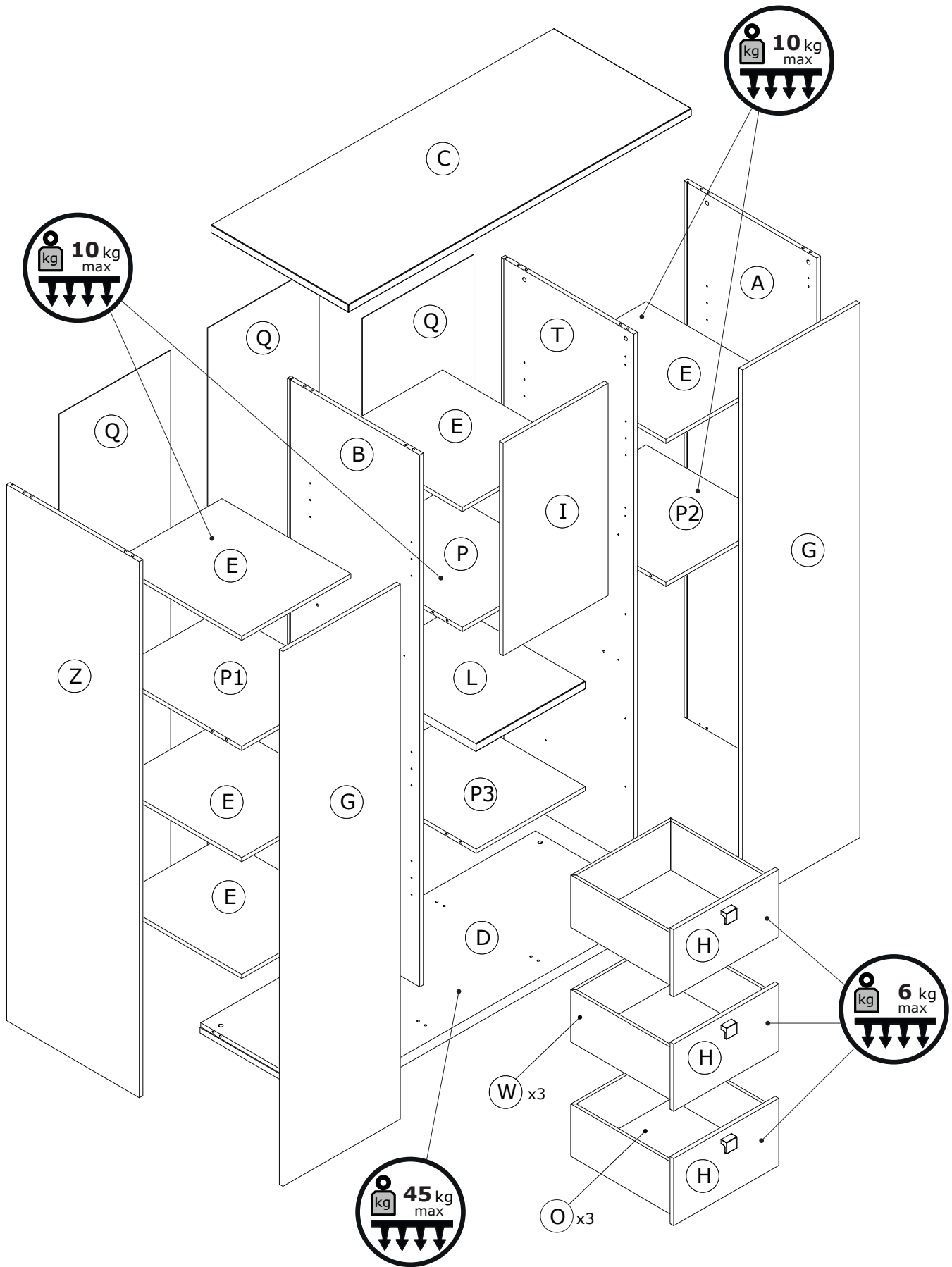
C1
x8

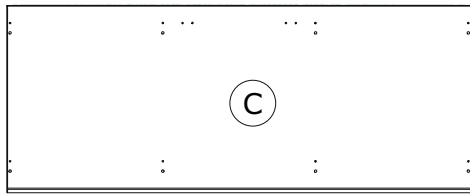
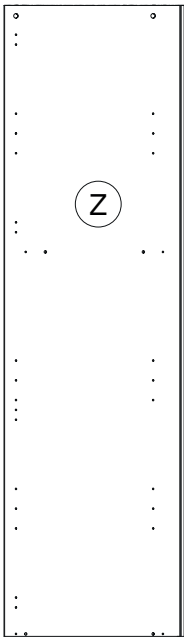


V5
x16

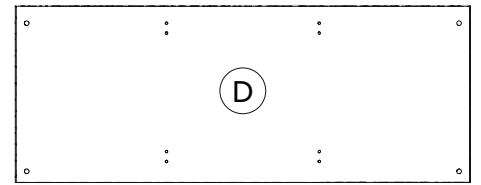


W492
x1

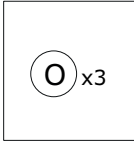




CA3603
1505x607x30mm



BA2192
1475x571x38mm



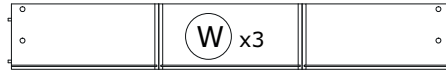
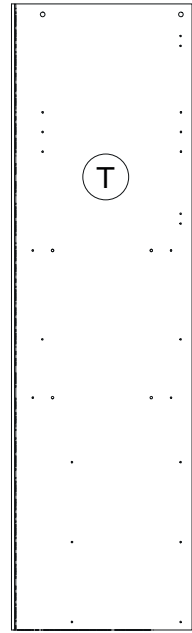
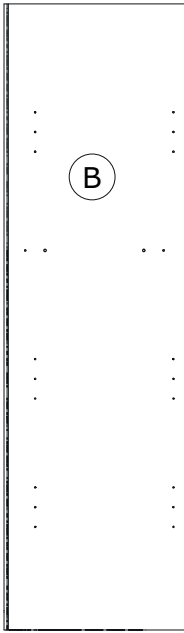
SH3377
425x451x2mm

FI8718
2045x586x16mm

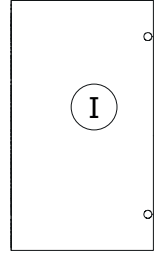
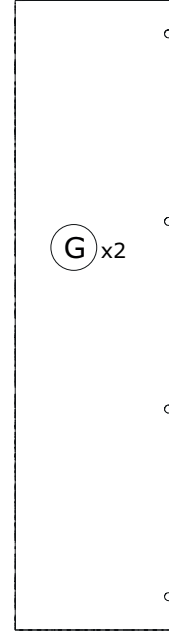
FI8722
2045x586x16mm

BOX 1/5

BOX 2/5



OF0582
450x438x450mm H.200mm



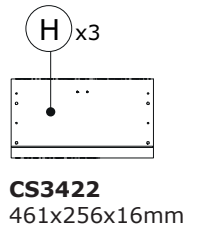
AN2930
810x461x16mm

TR2235
2029x585x16mm

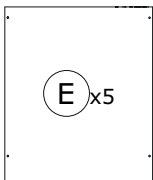
TR2236
2029x585x16mm

BOX 3/5

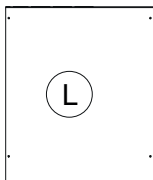
AN2926
2040x515x16mm



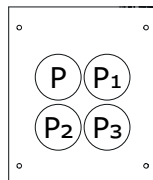
CS3422
461x256x16mm



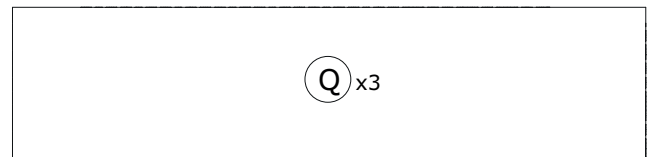
PI7162
479x570x16mm



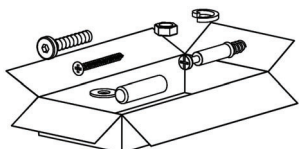
PI7164
479x570x30mm



PI7163
479x570x16mm



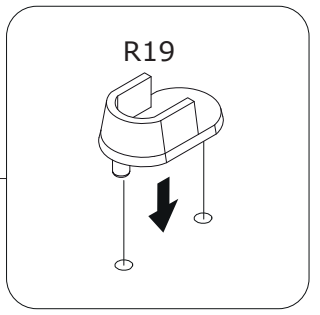
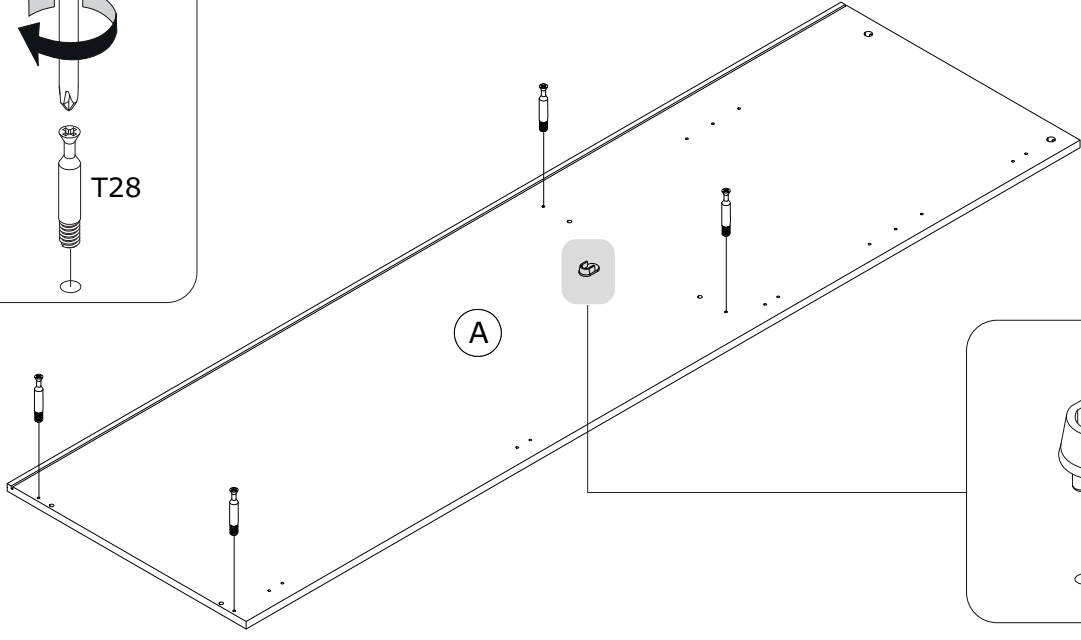
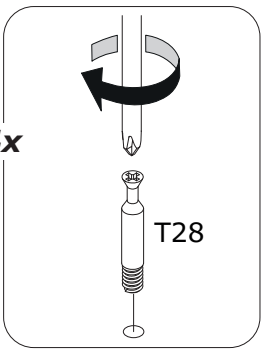
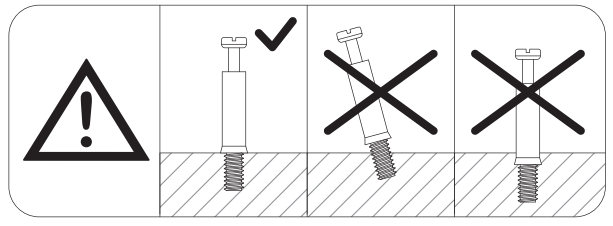
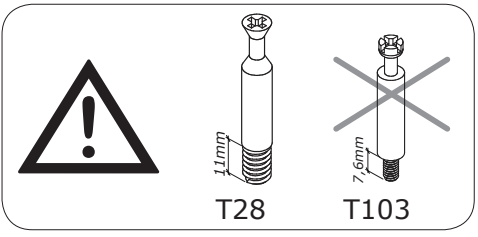
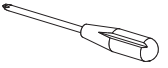
SH3376
2052x489x2mm



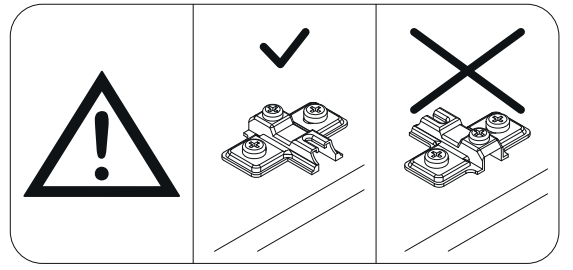
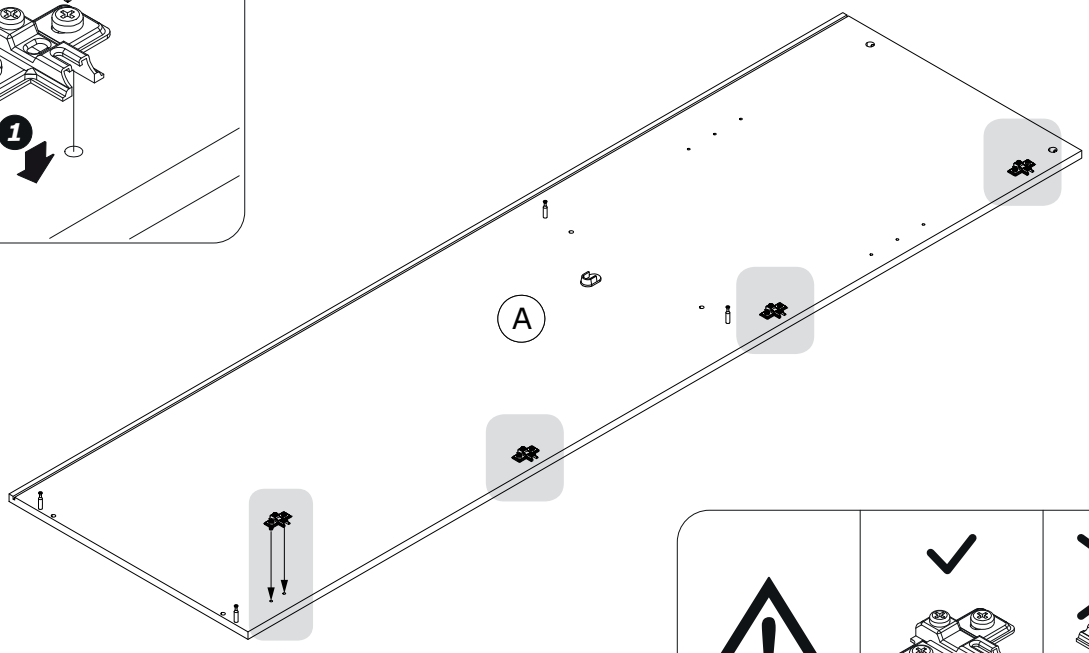
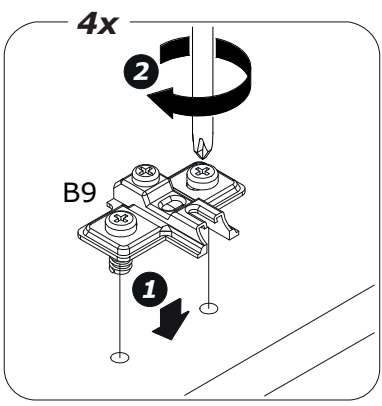
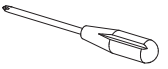
BOX 5/5

BOX 4/5

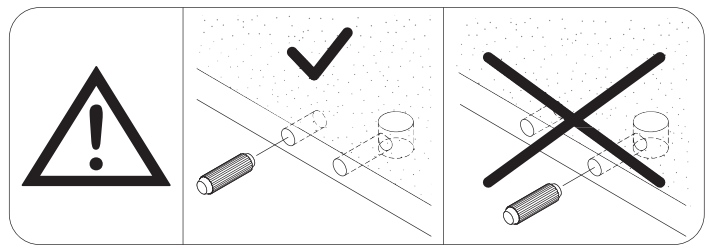
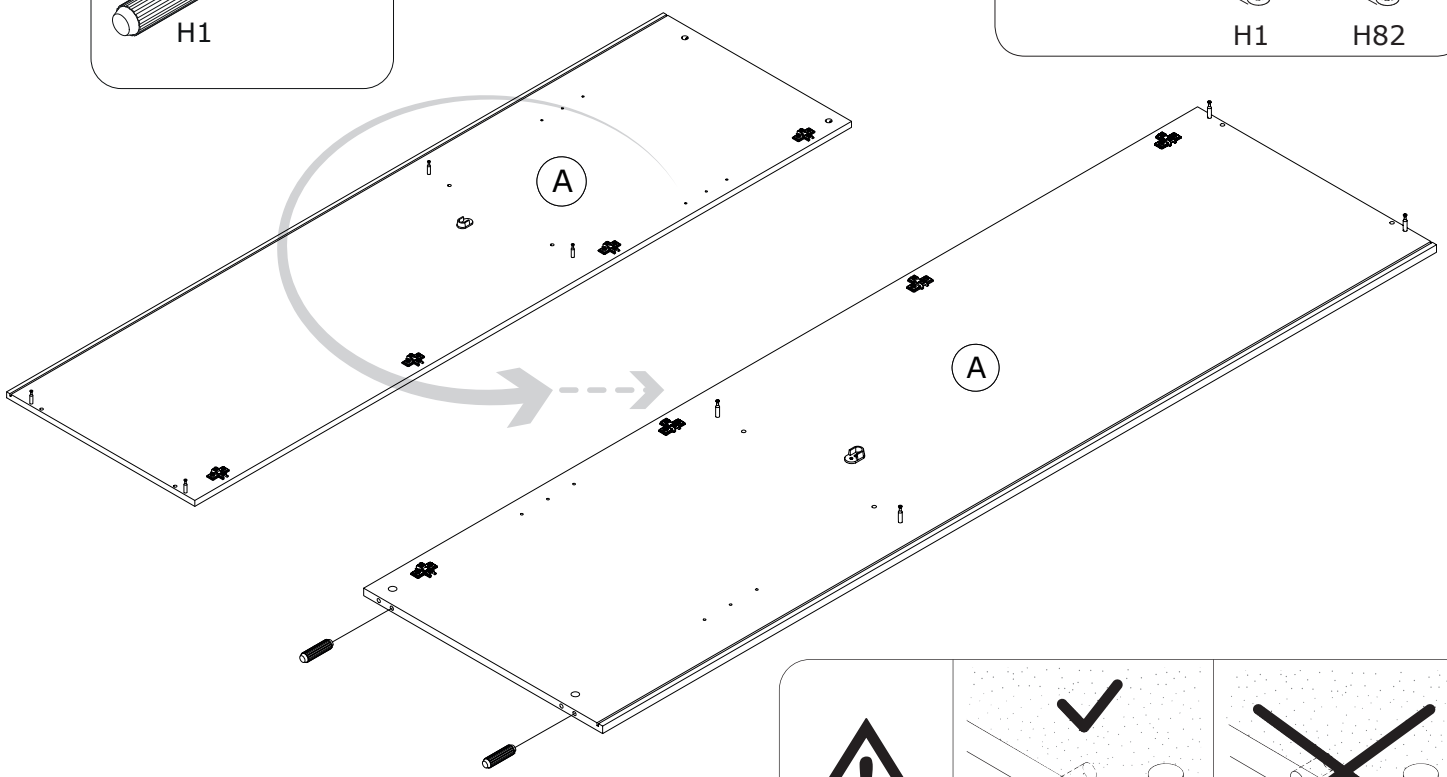
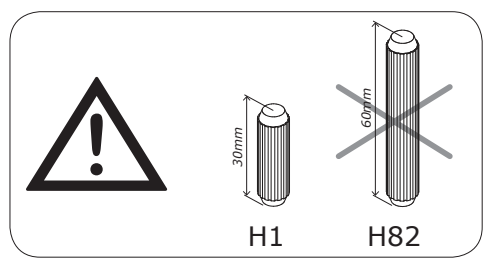
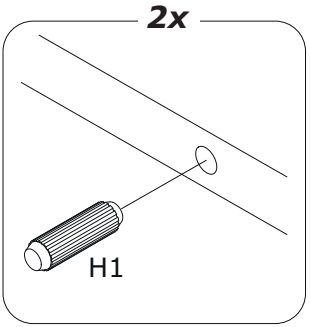
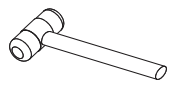
1



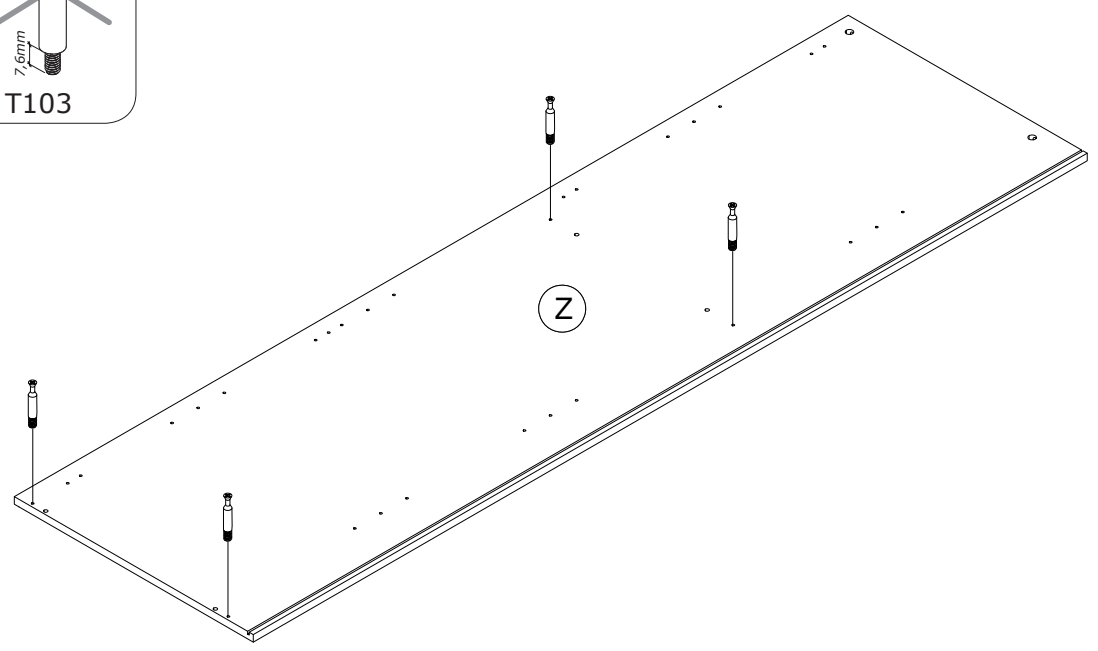
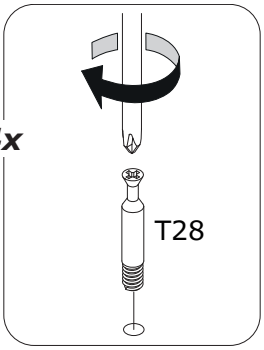
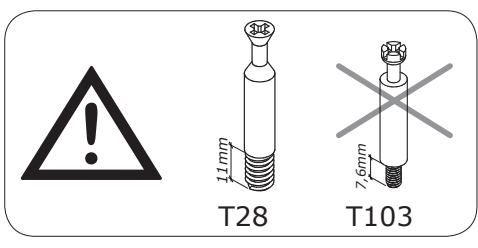
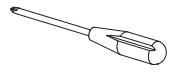
2



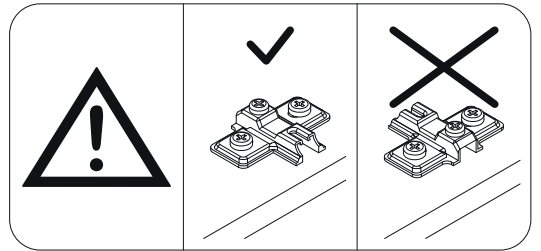
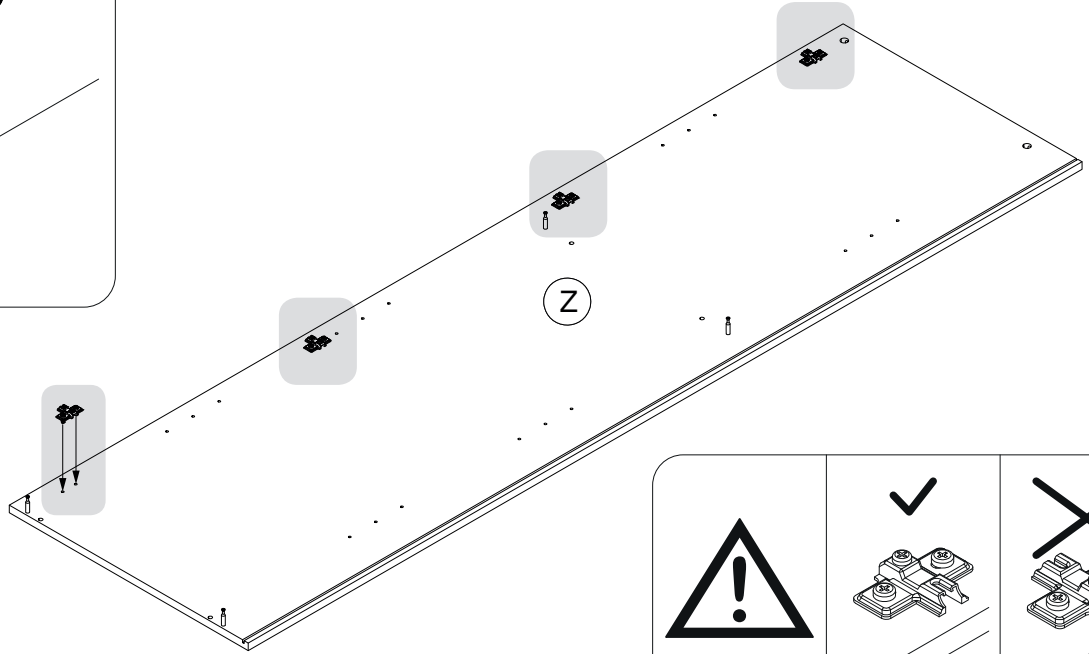
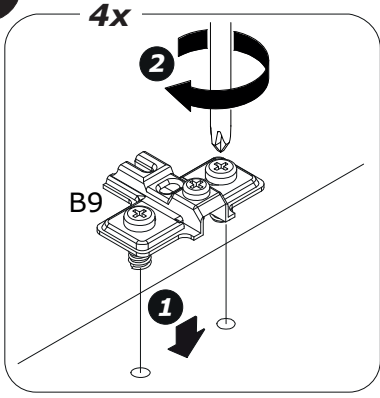
3



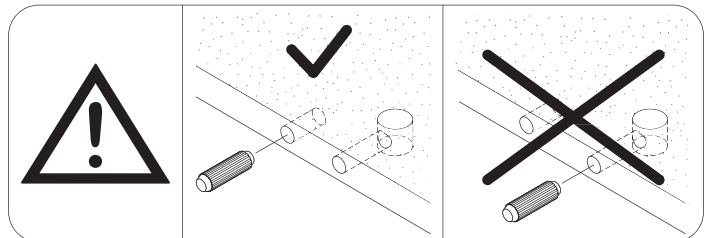
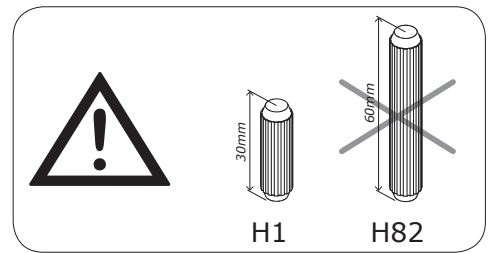
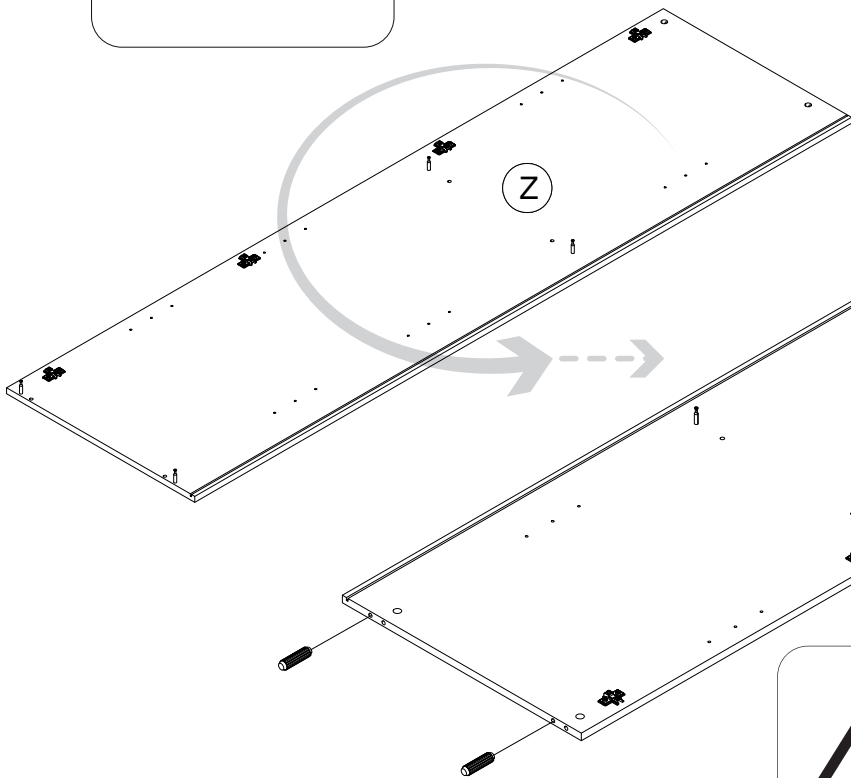
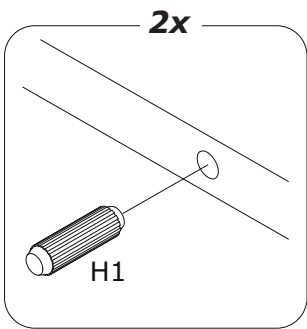
4



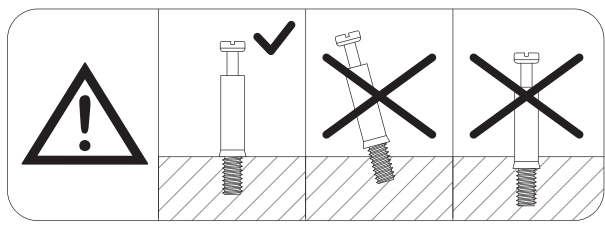
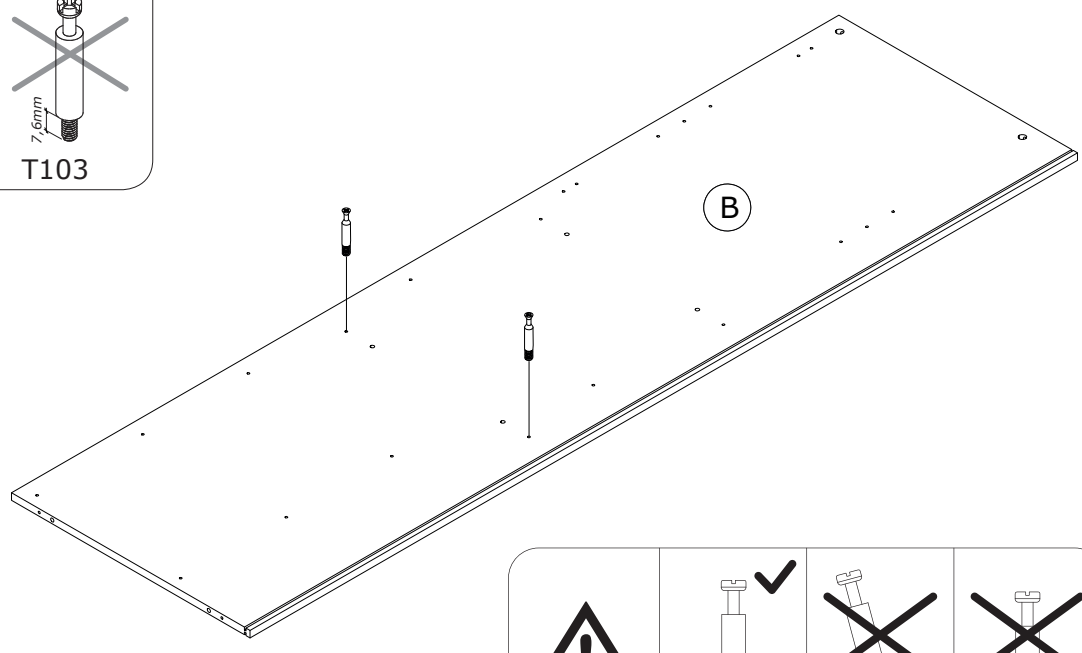
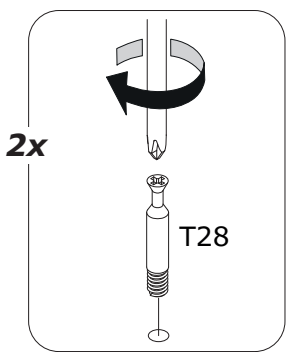
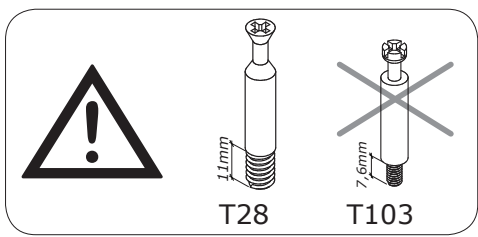
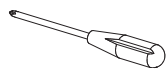
5



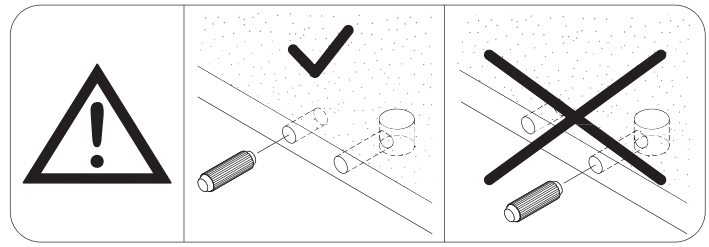
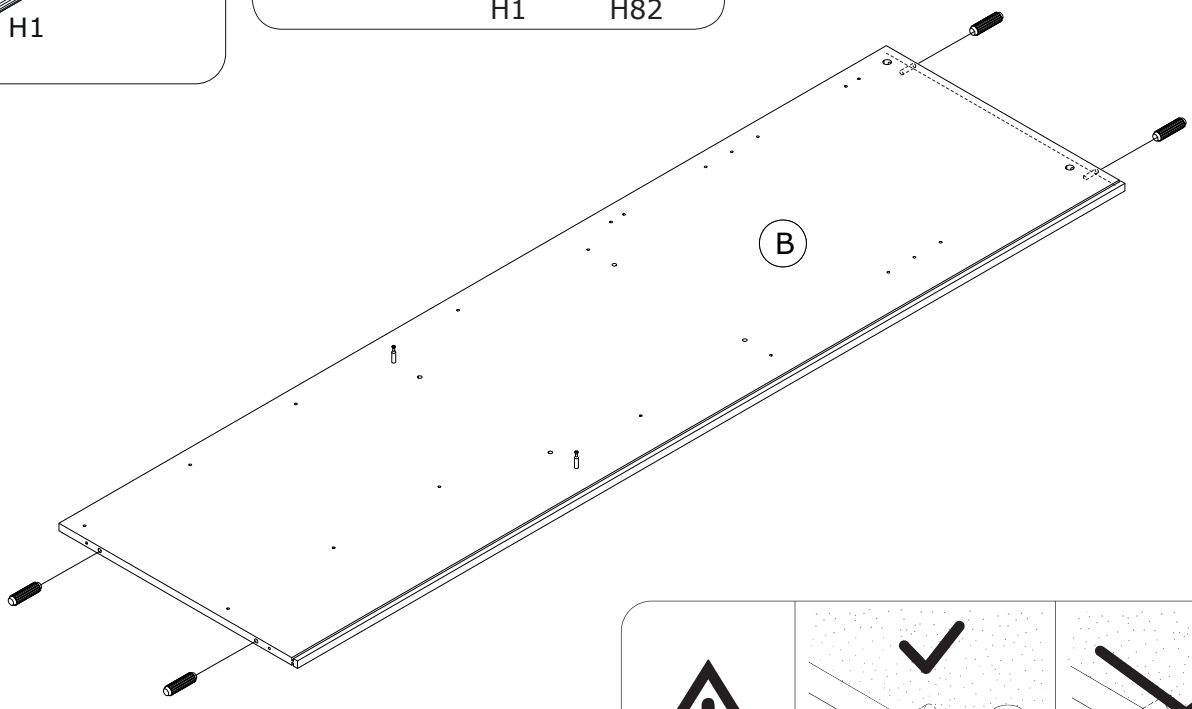
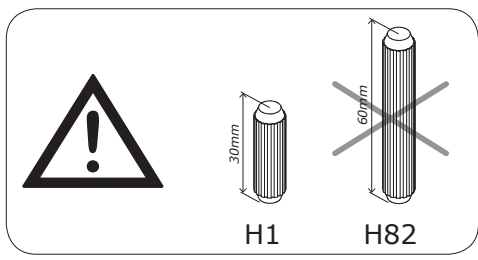
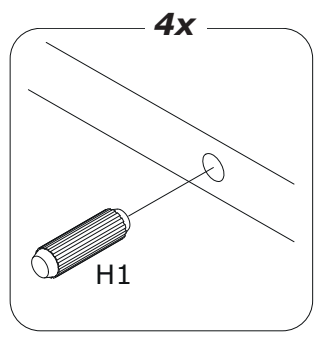
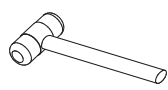
6



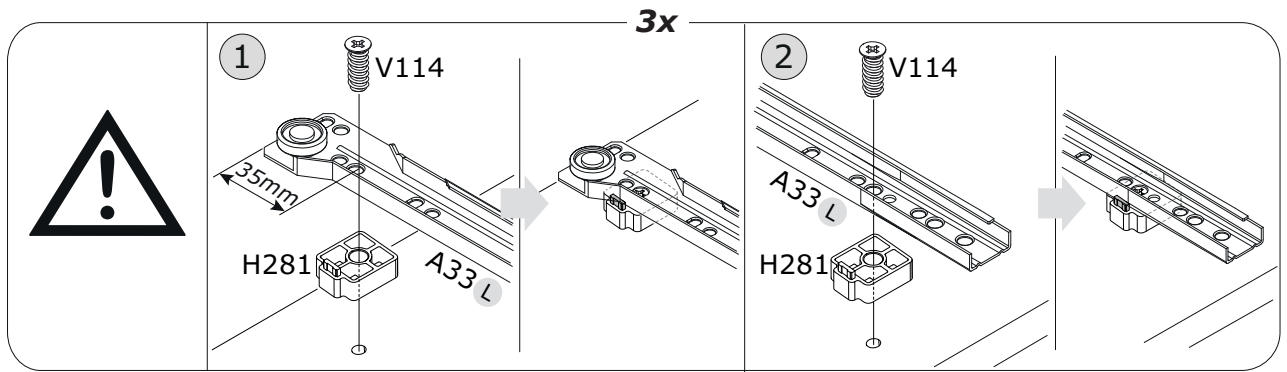
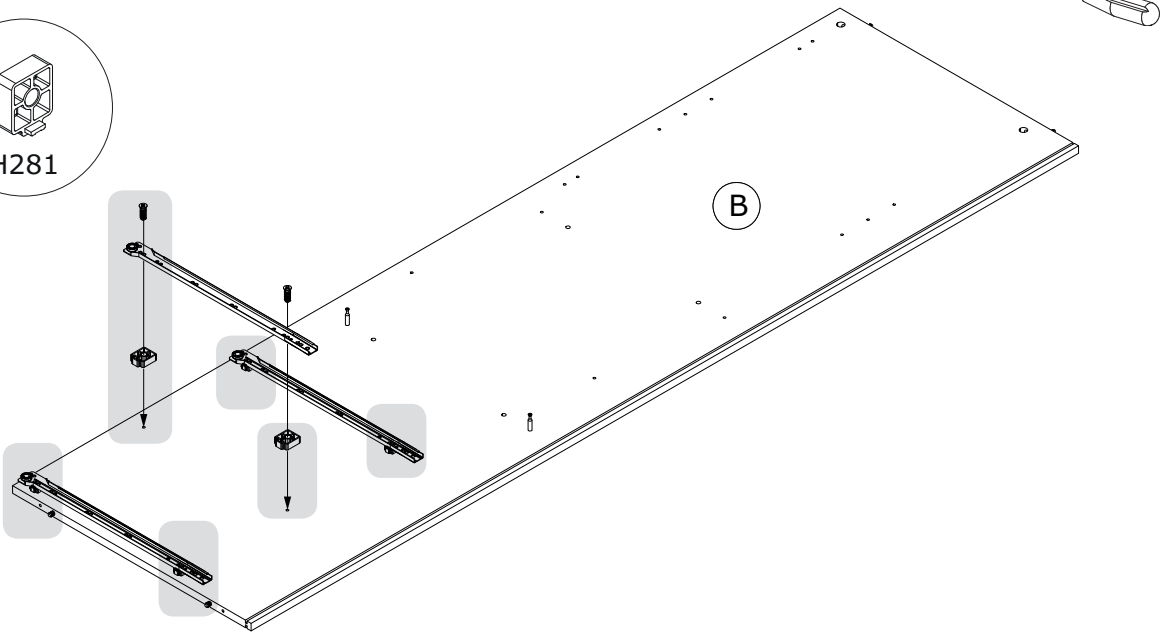
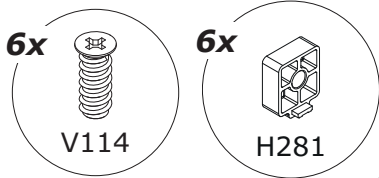
7



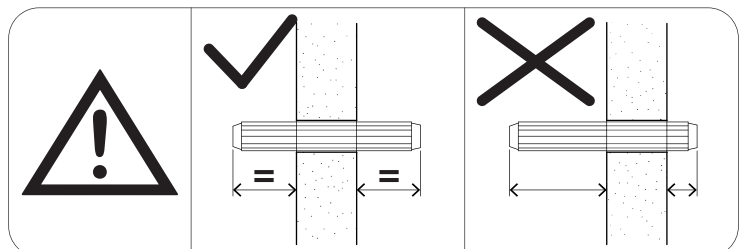
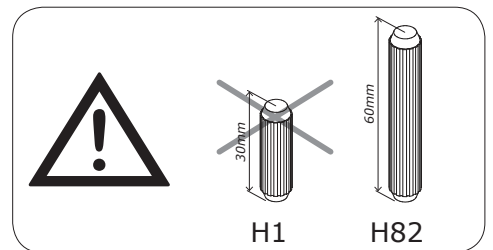
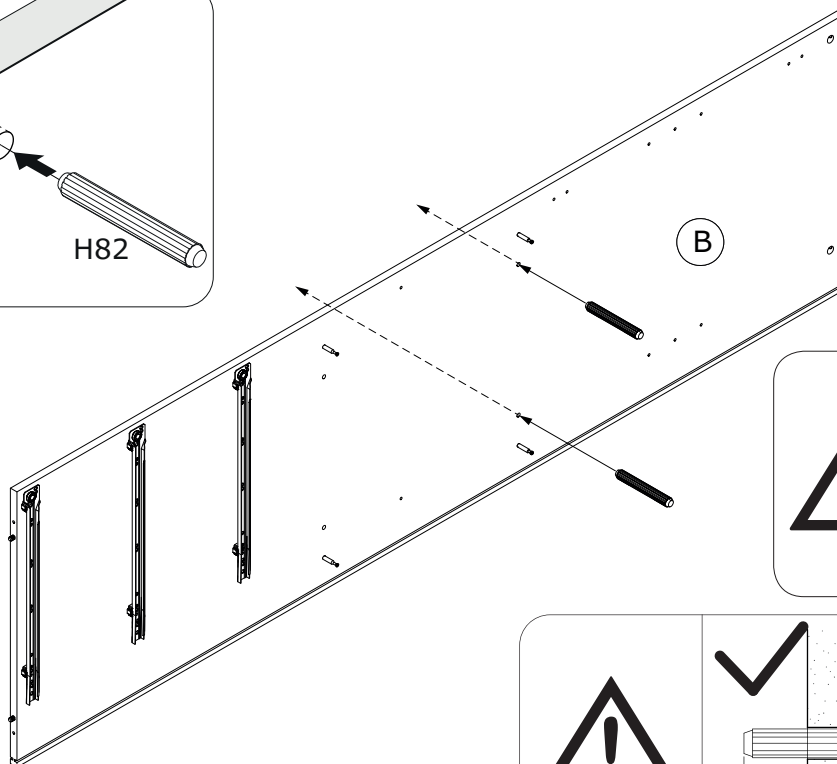
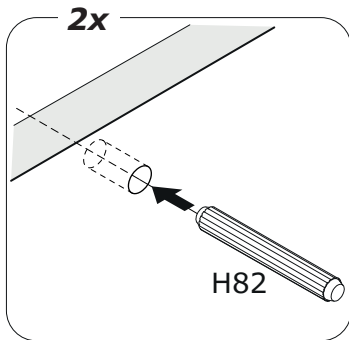
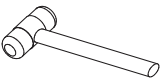
8



9

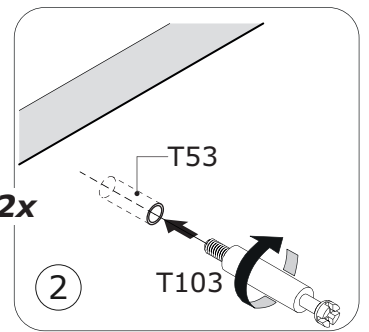
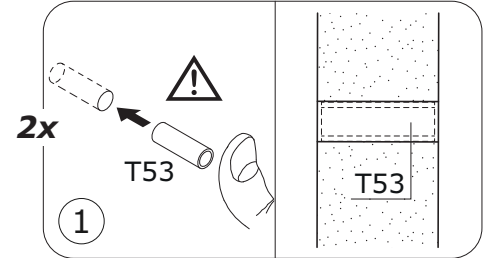
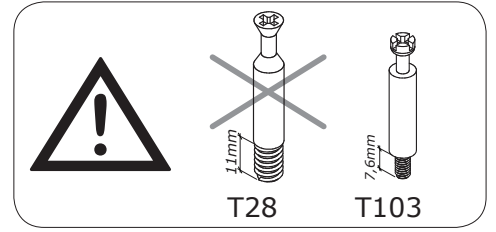
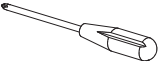
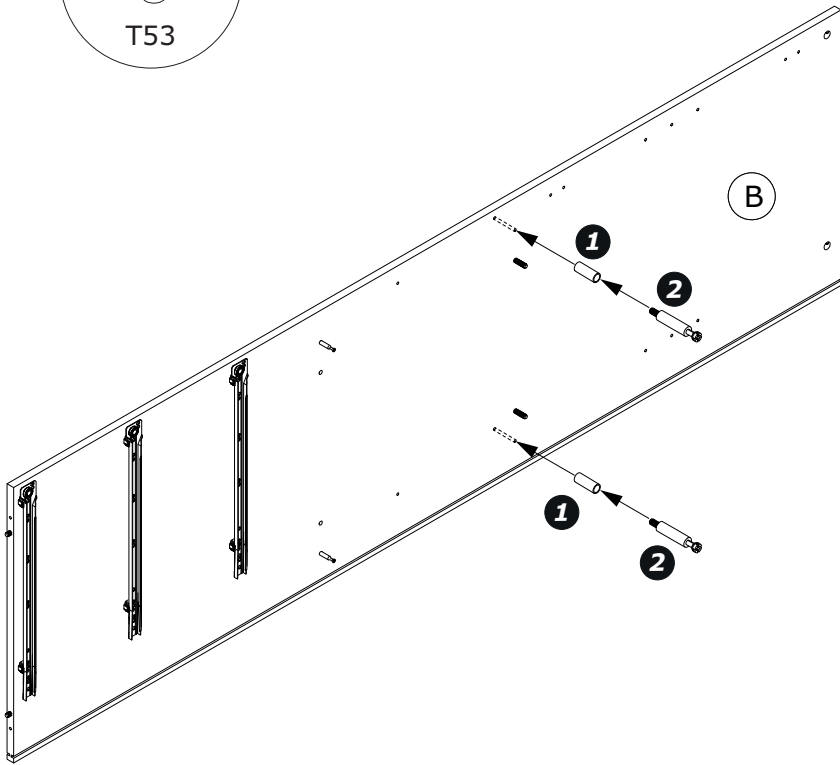
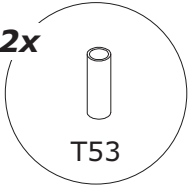


10

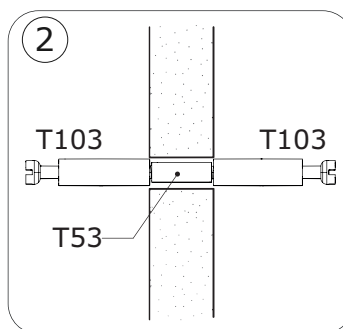
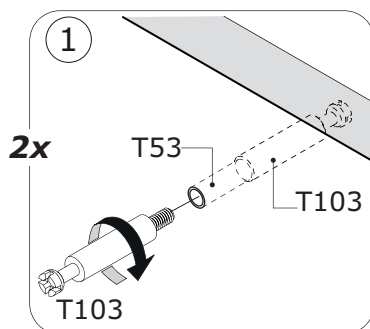
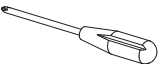
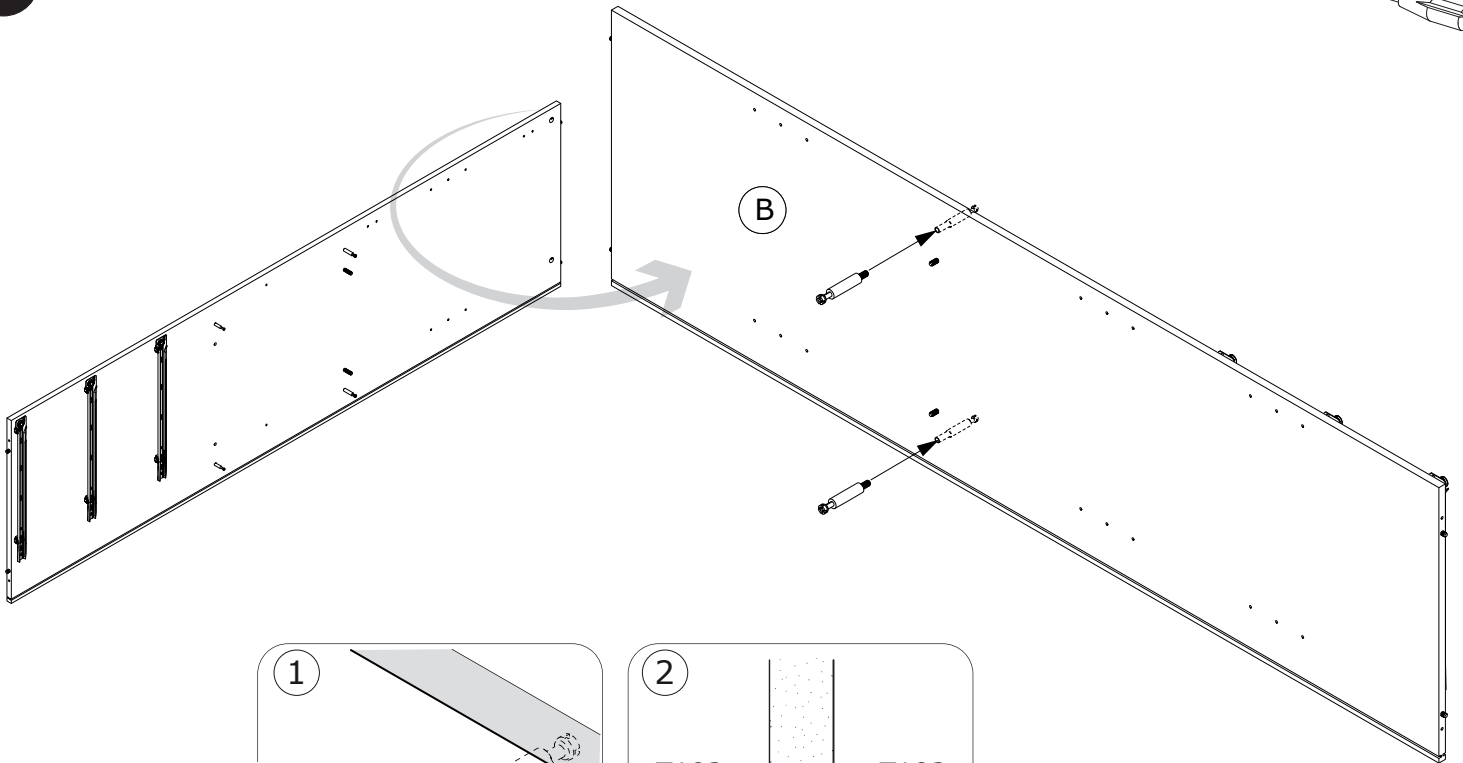


11

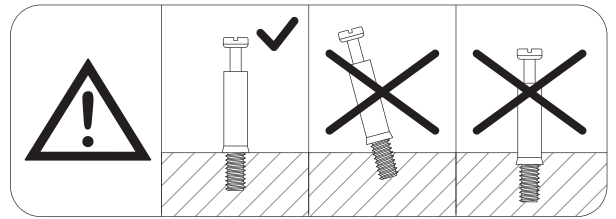
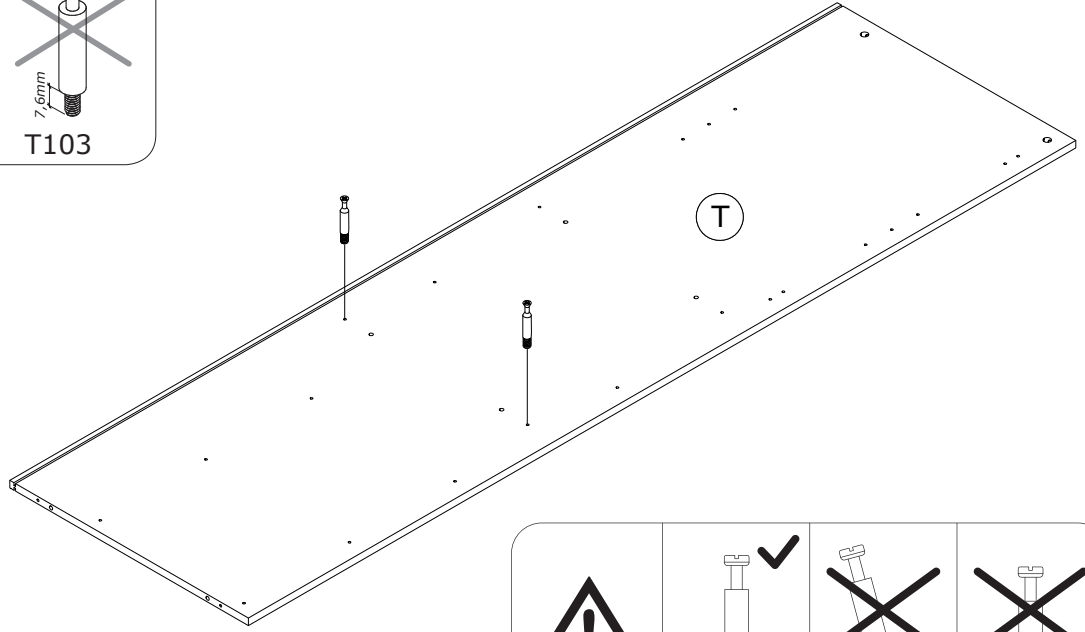
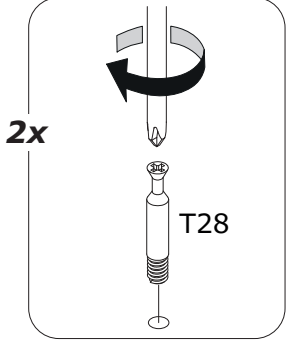
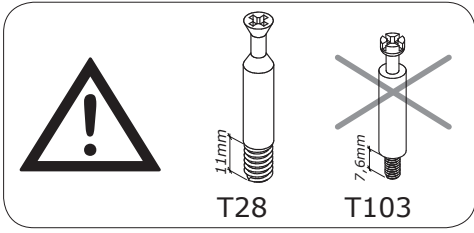
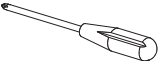
2x



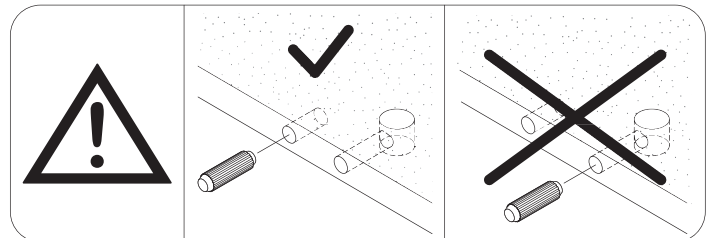
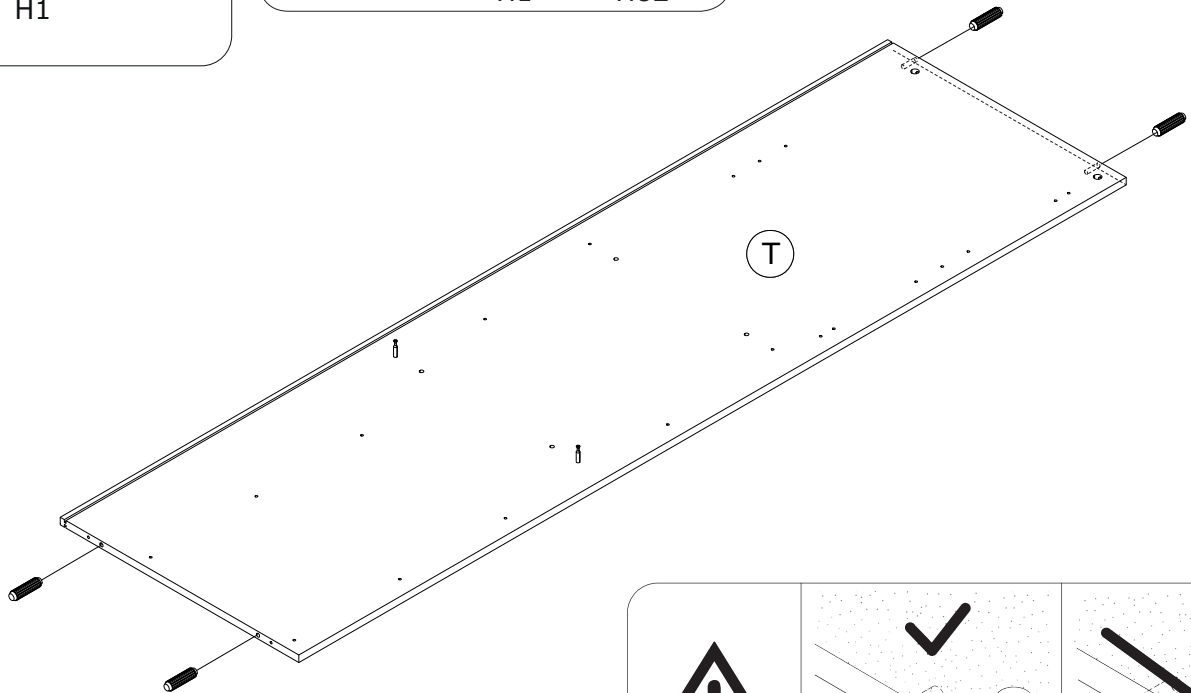
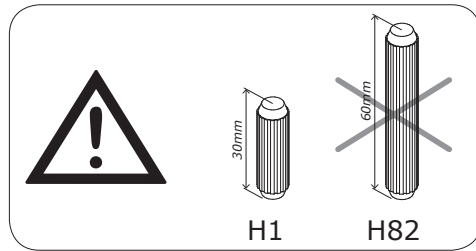
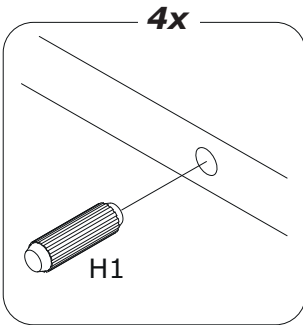
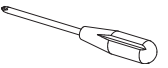
12



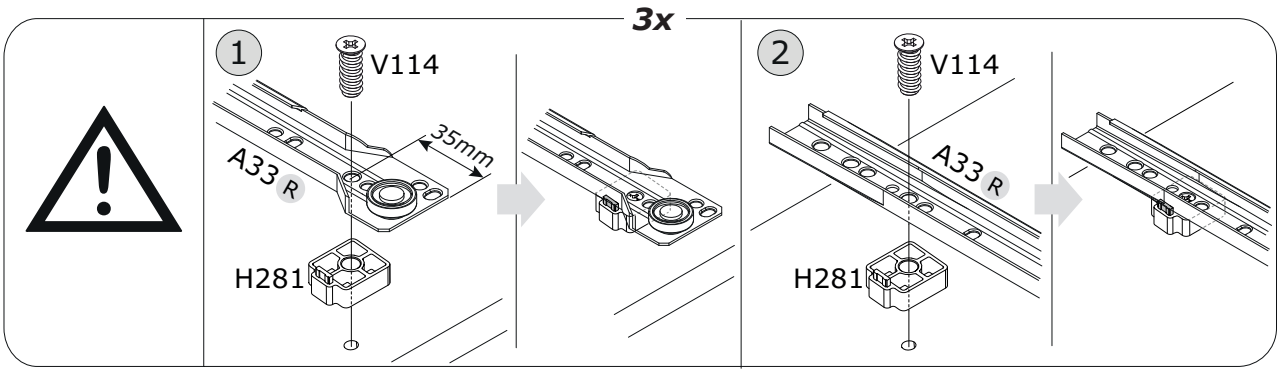
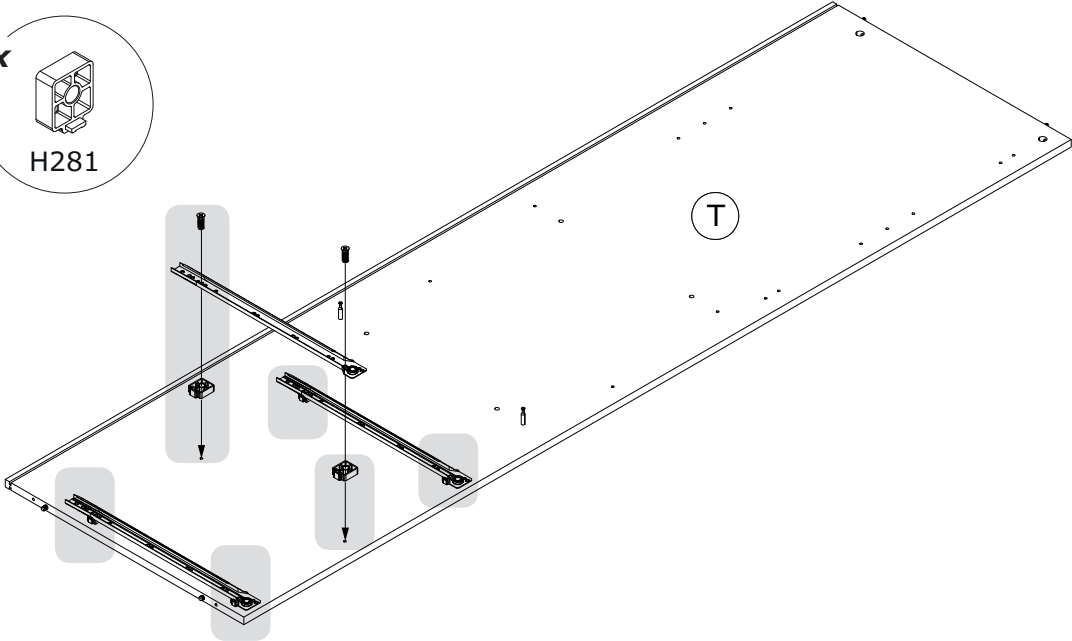
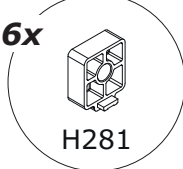
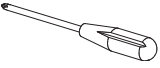
13



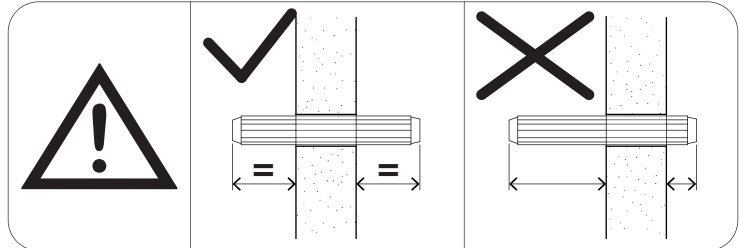
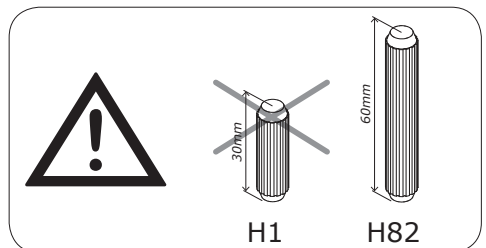
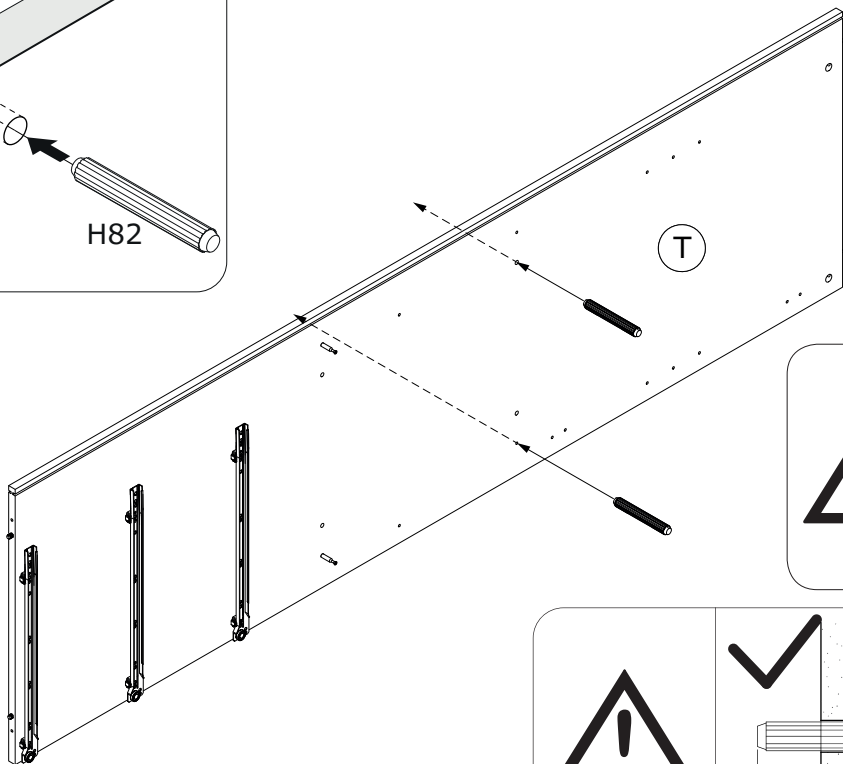
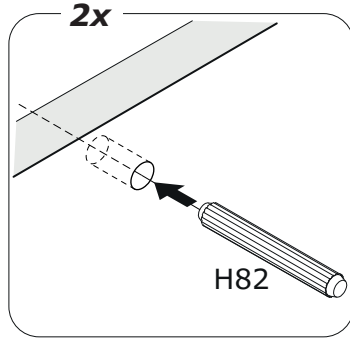
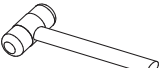
14



15

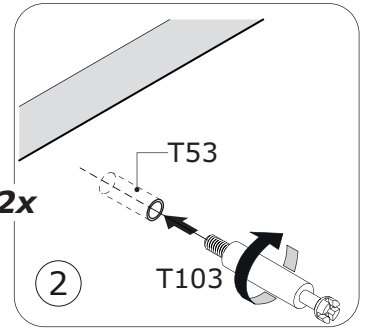
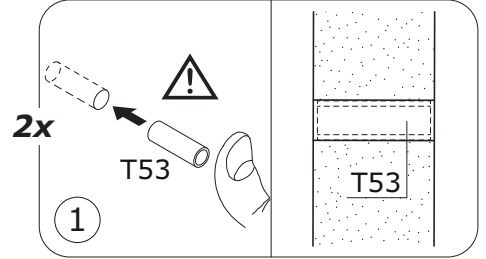
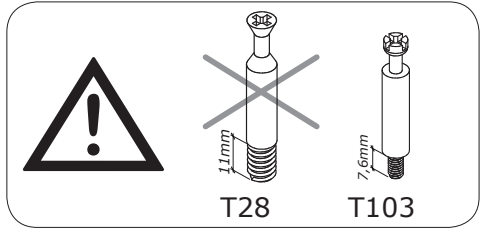
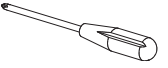
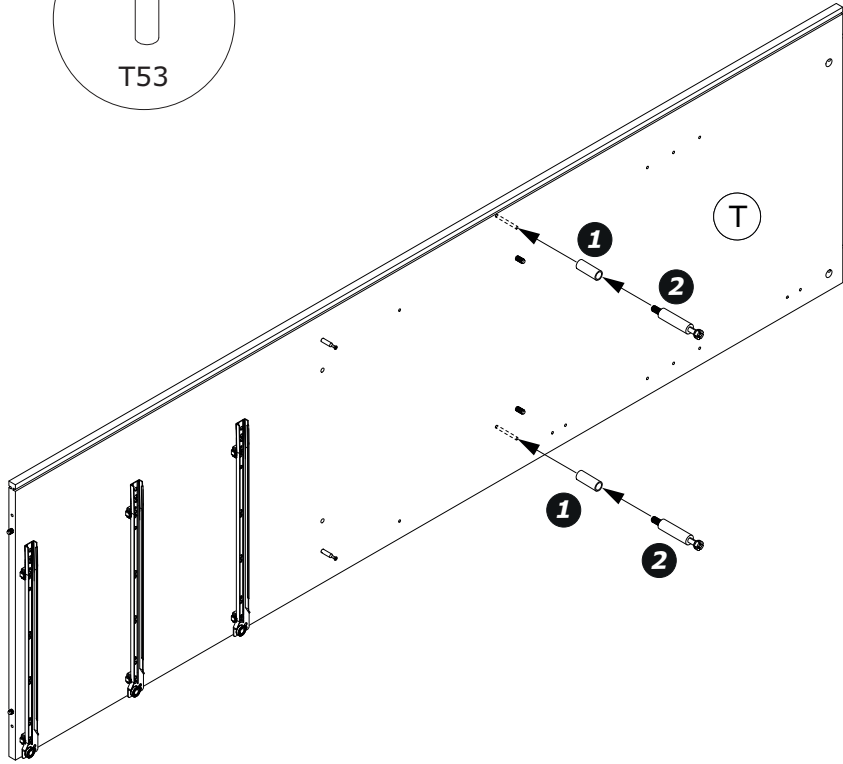
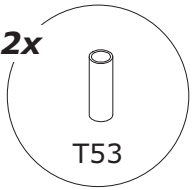


16

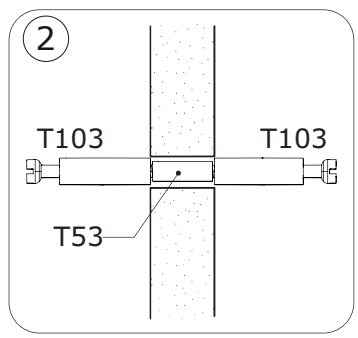
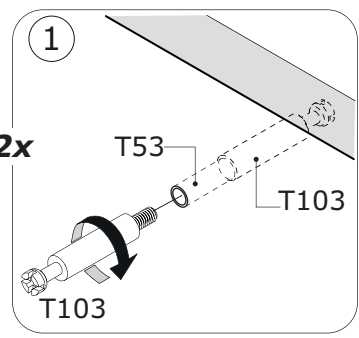
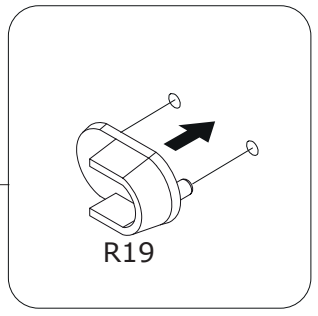
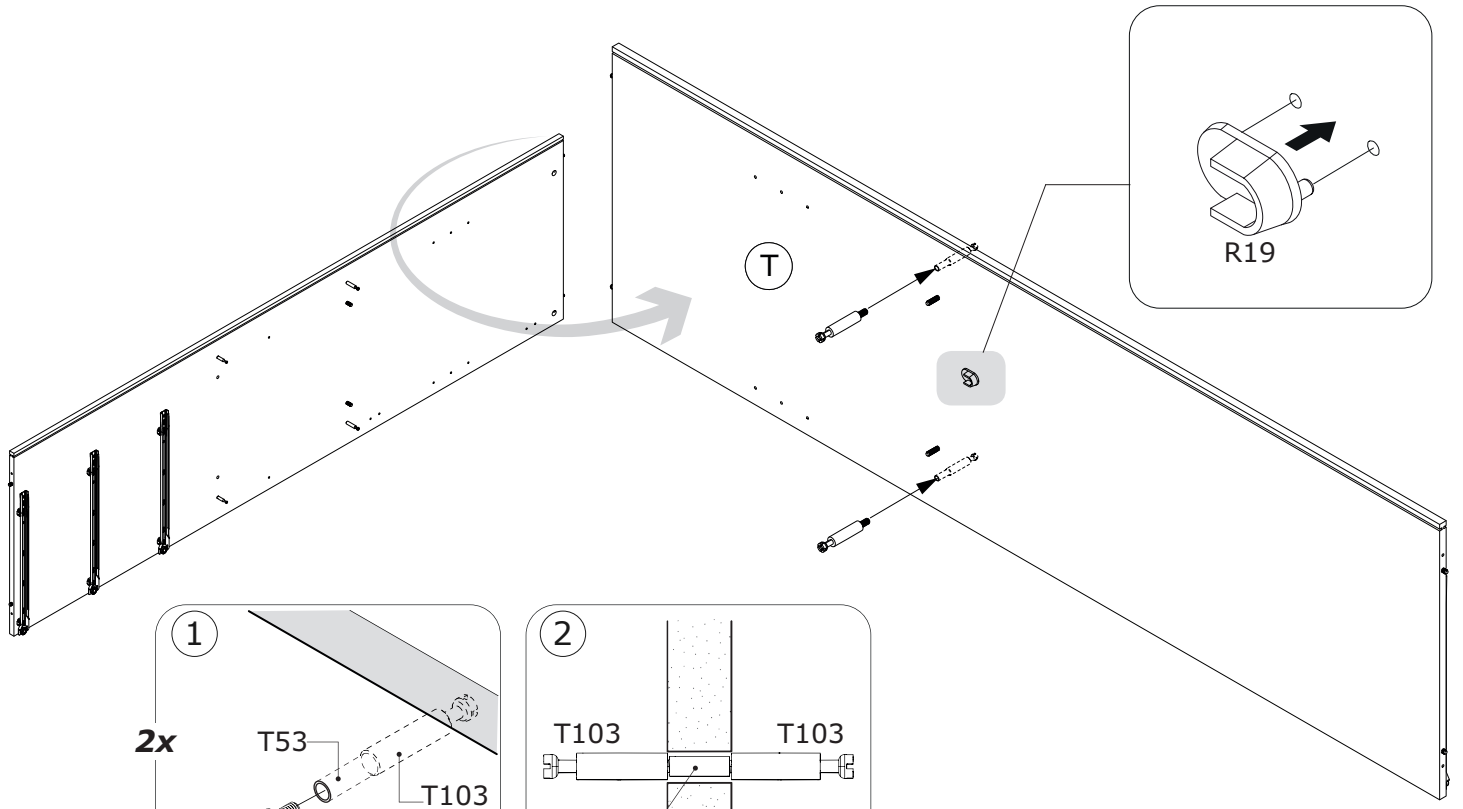
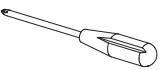


17

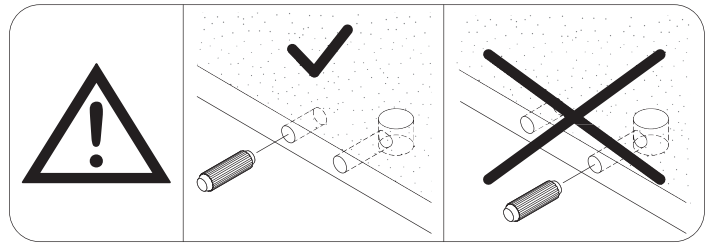
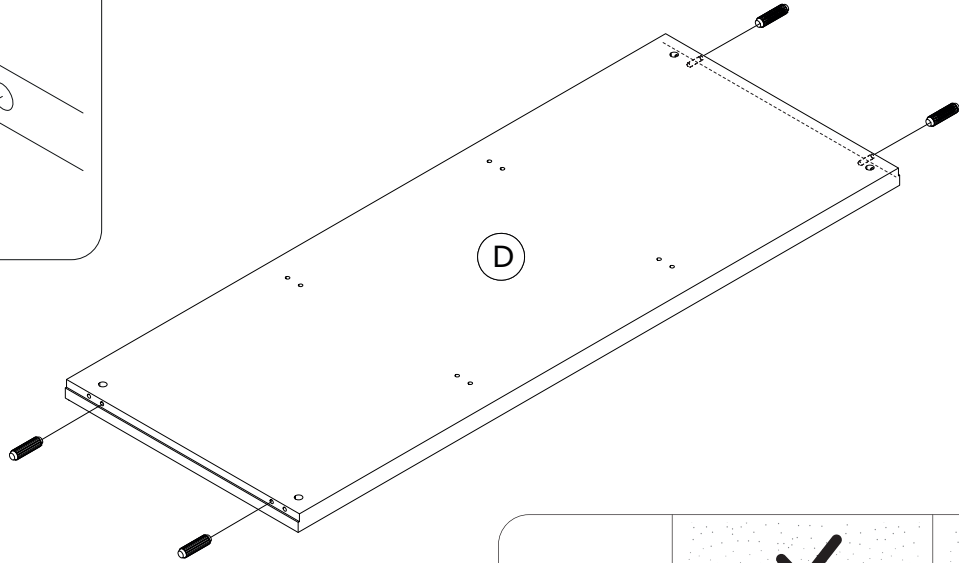
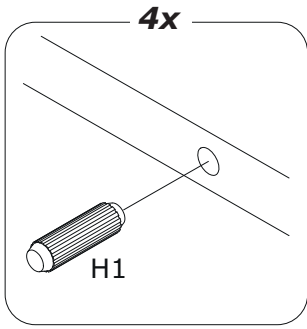
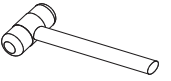
2x



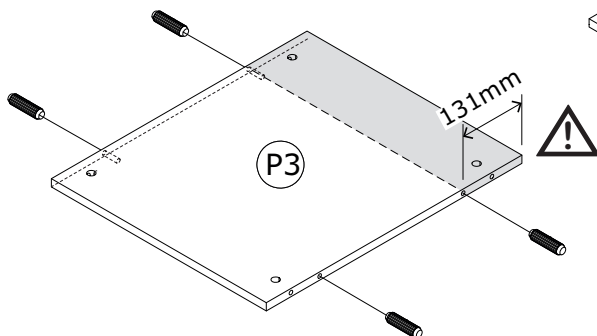
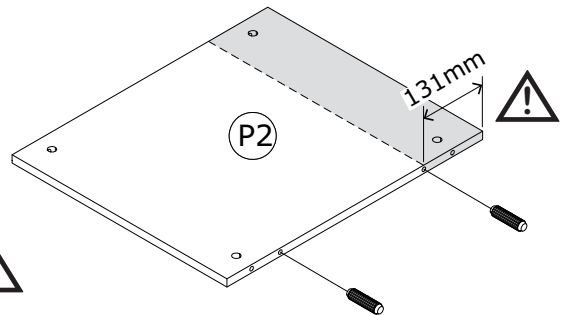
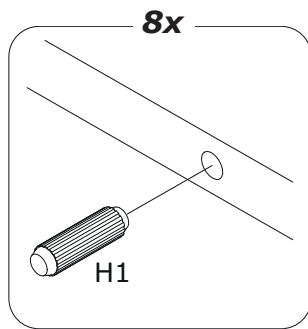
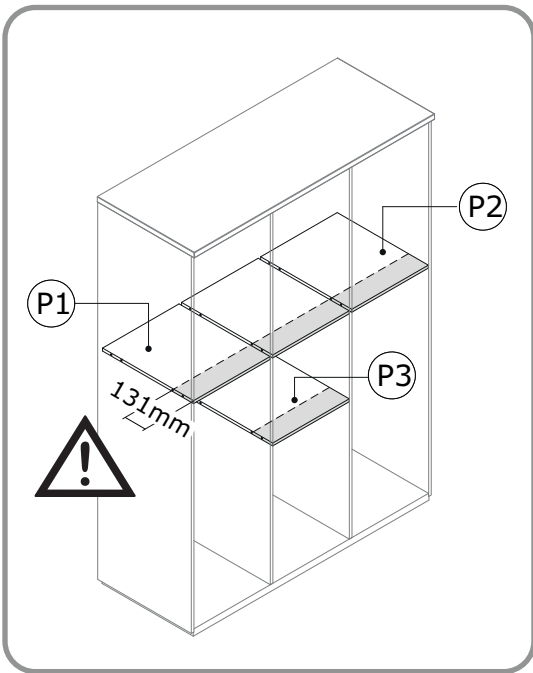
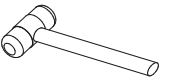
18



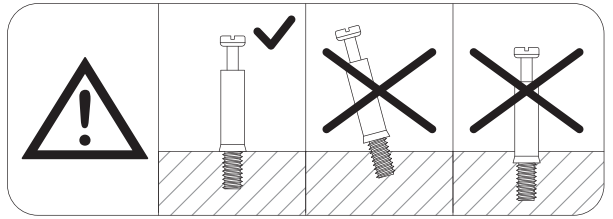
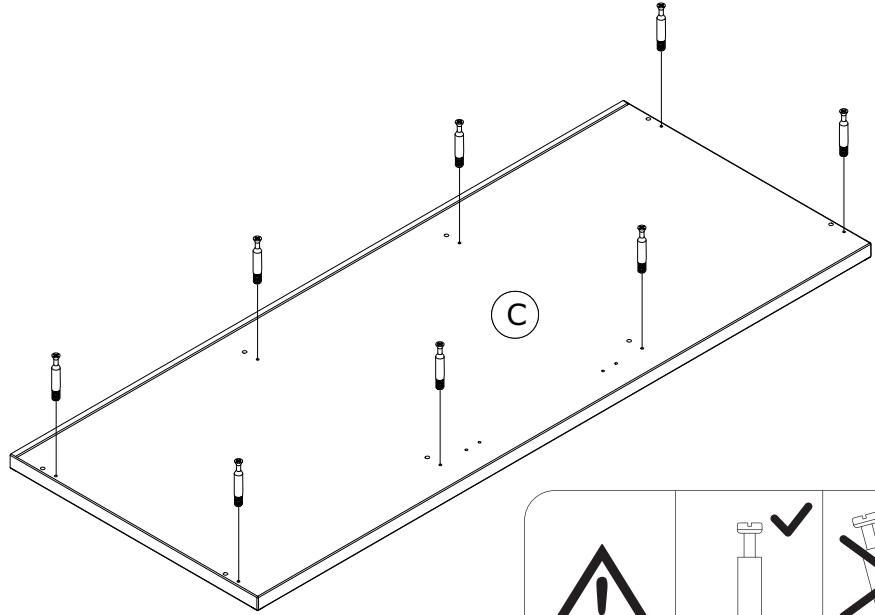
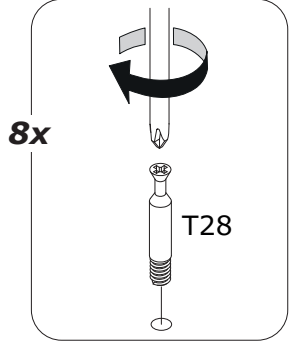
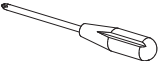
19



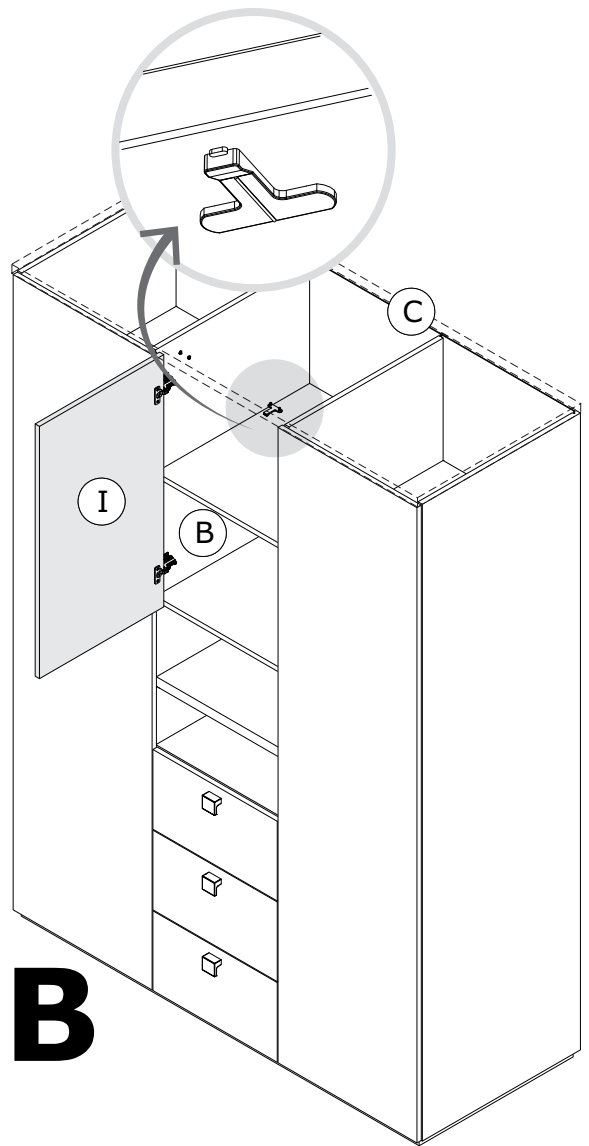
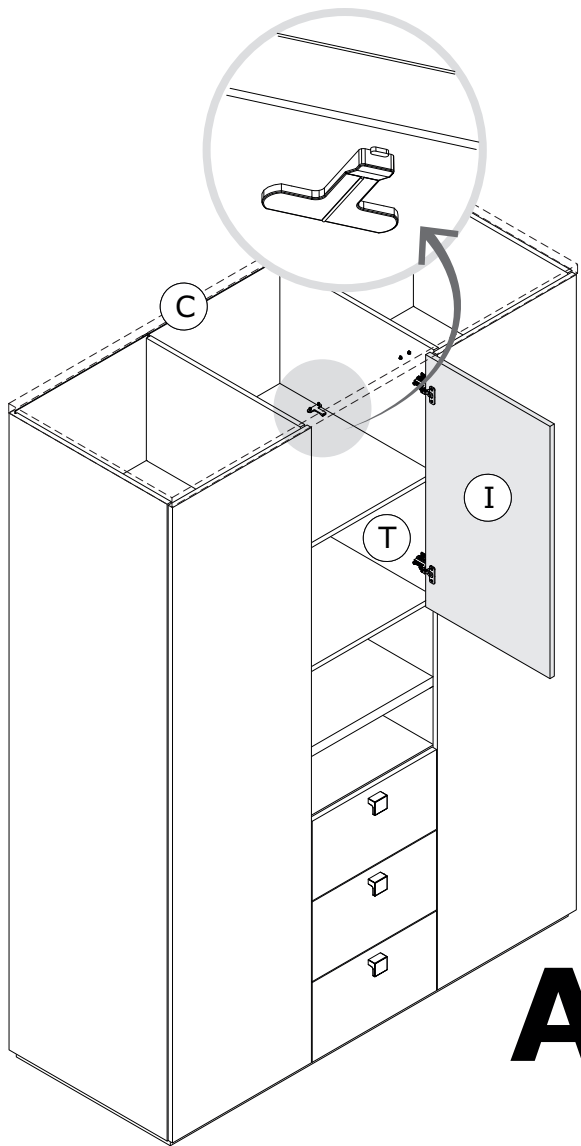
20



21

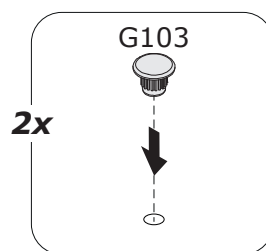
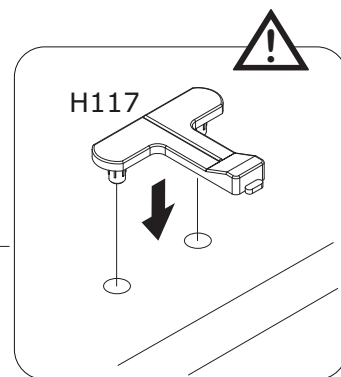
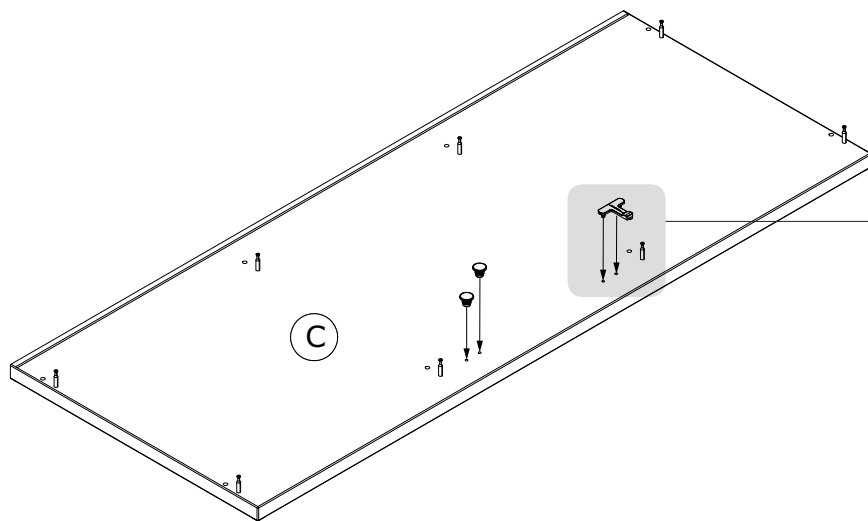
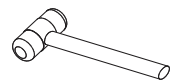


22



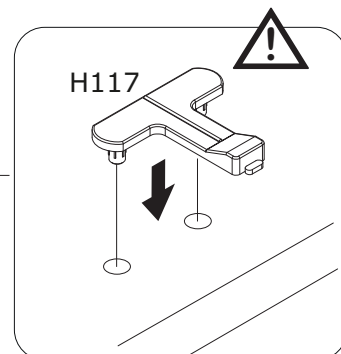
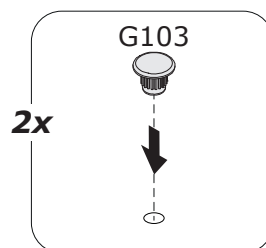
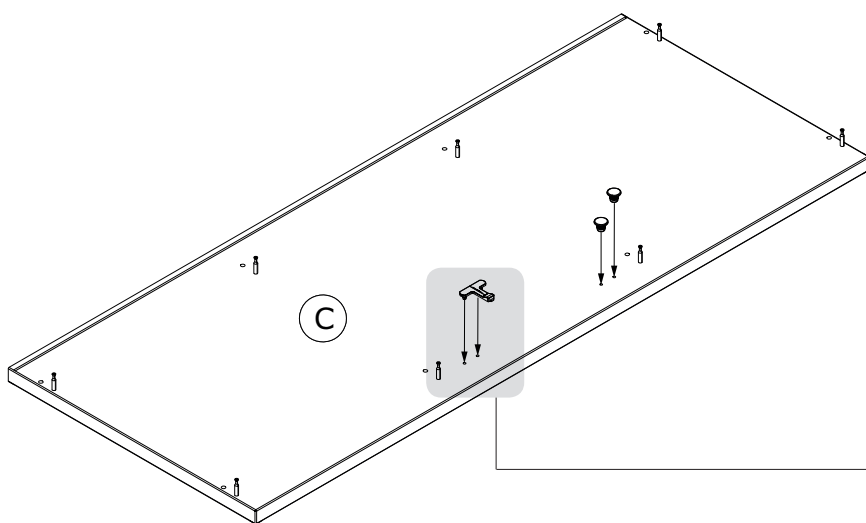
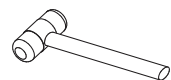
23

A



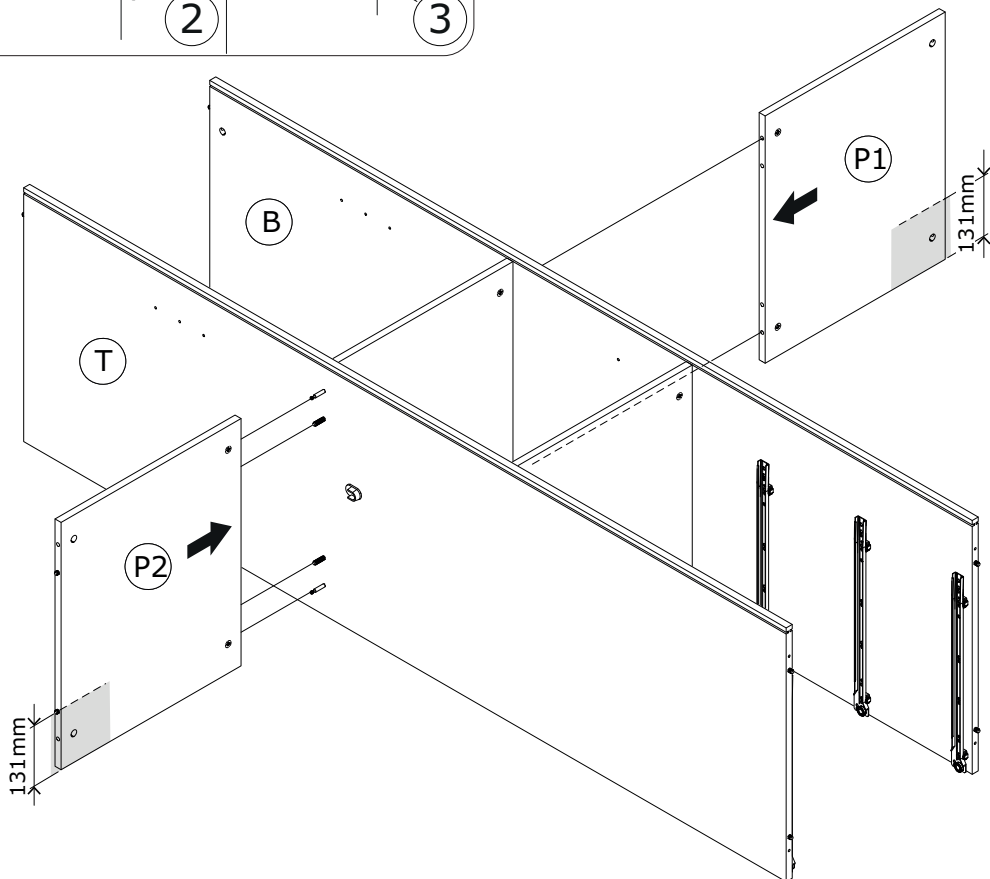
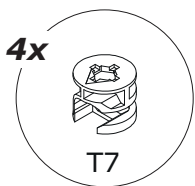
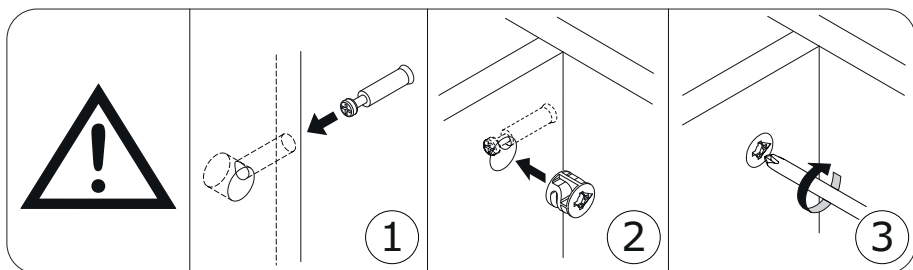
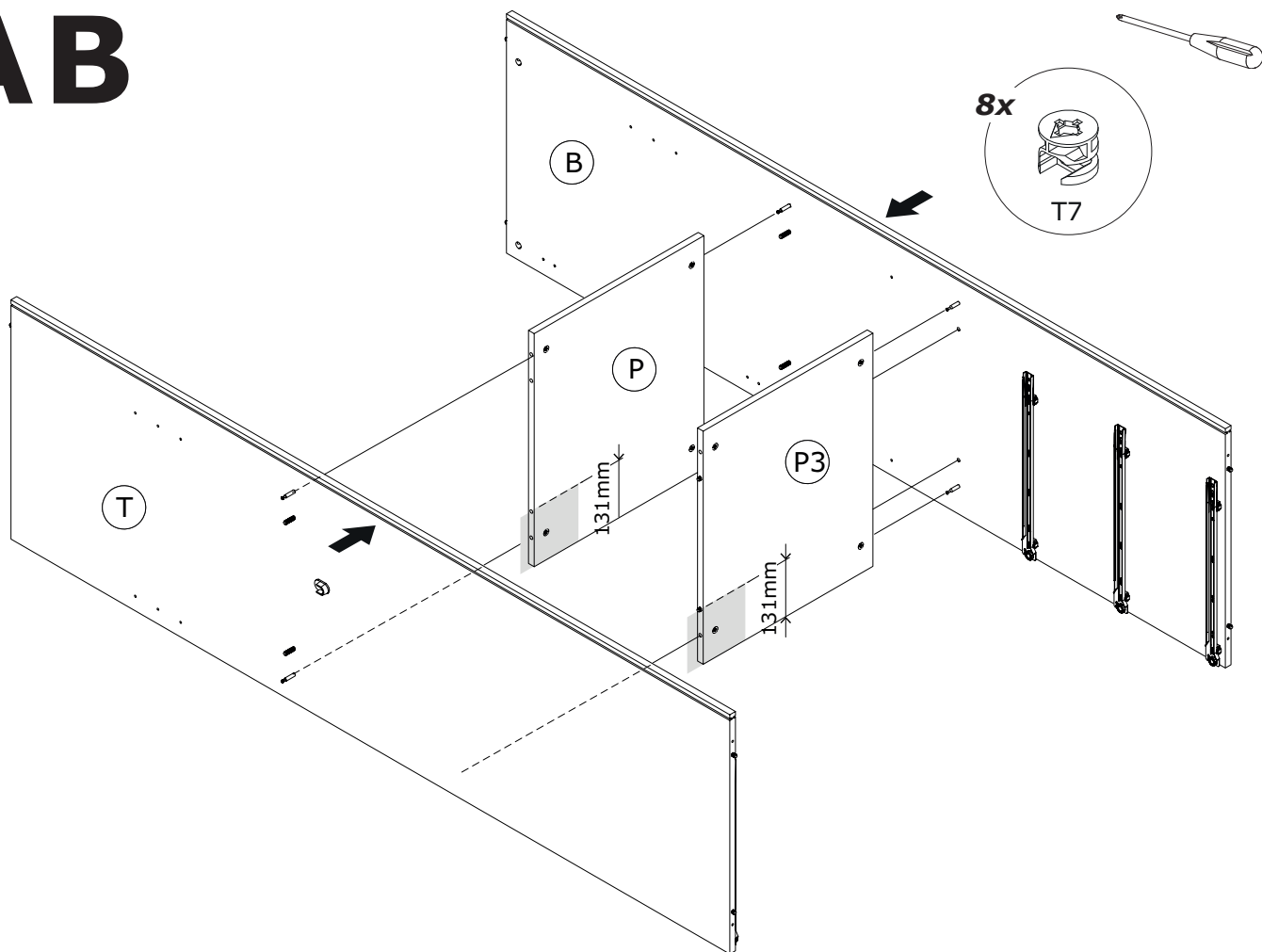
23

B



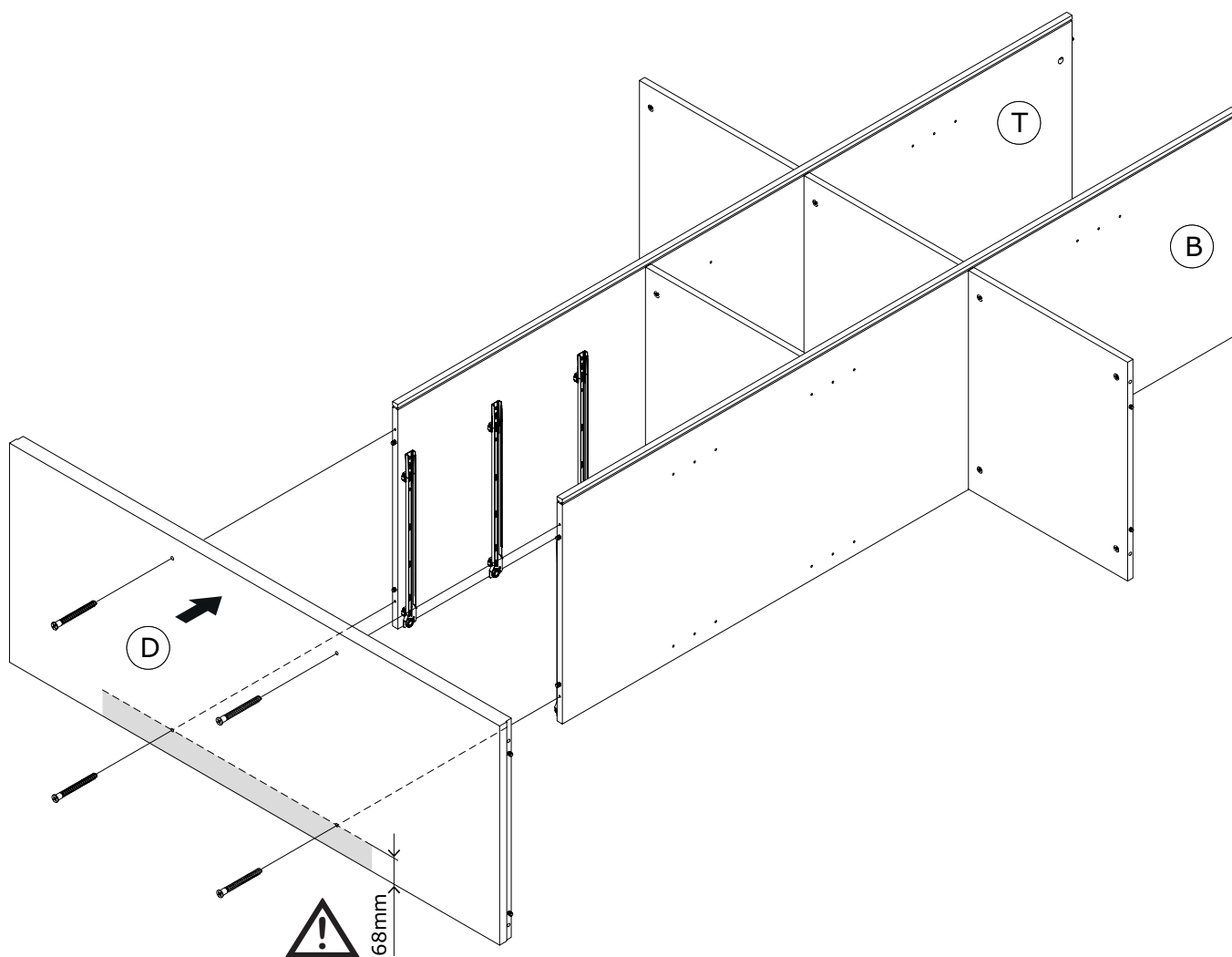
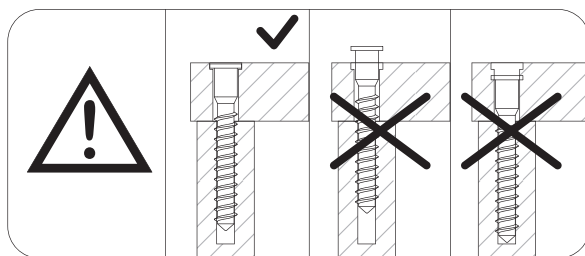
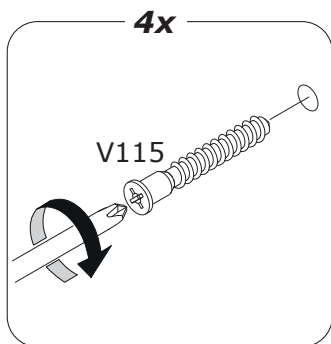
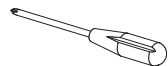
24

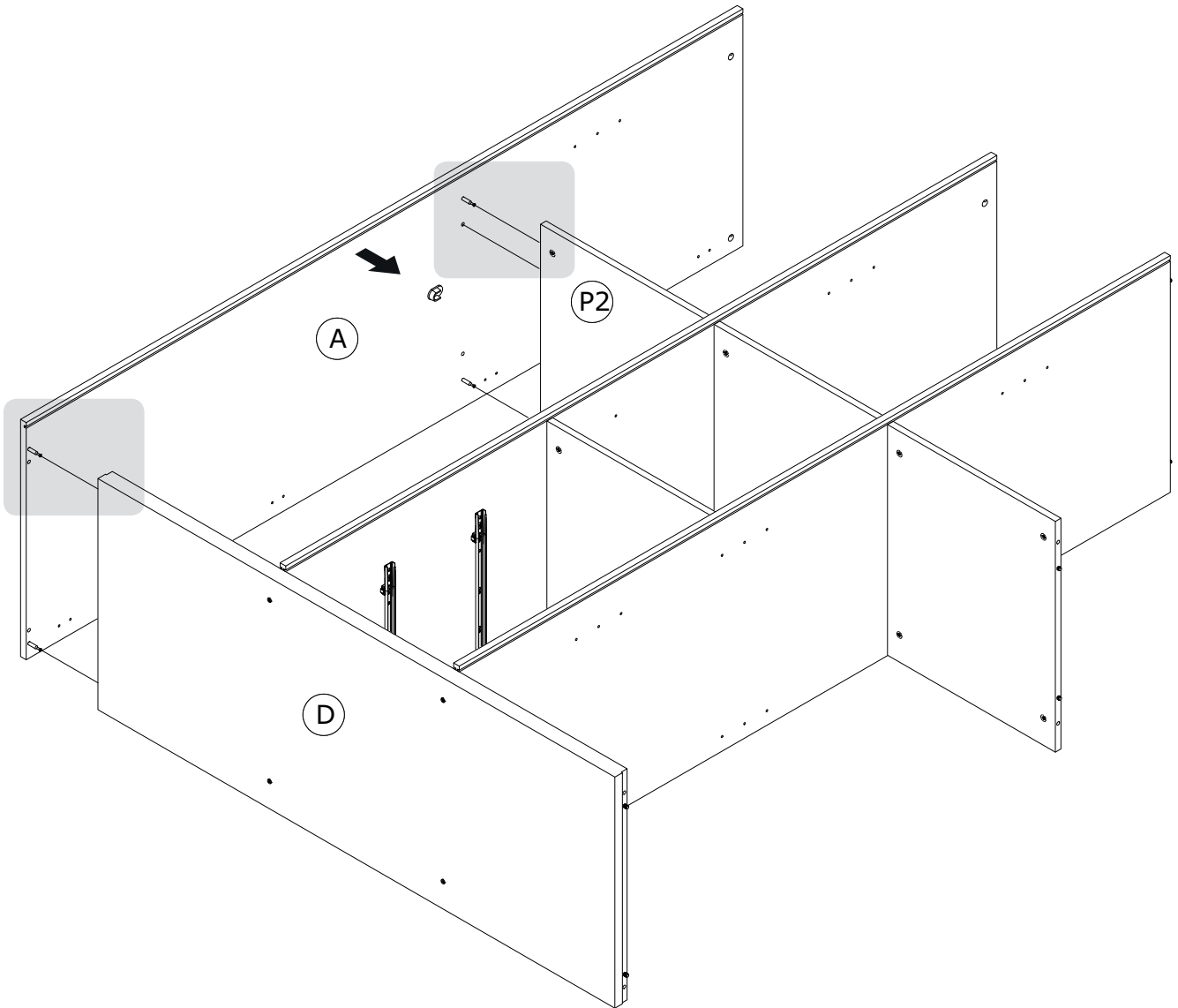
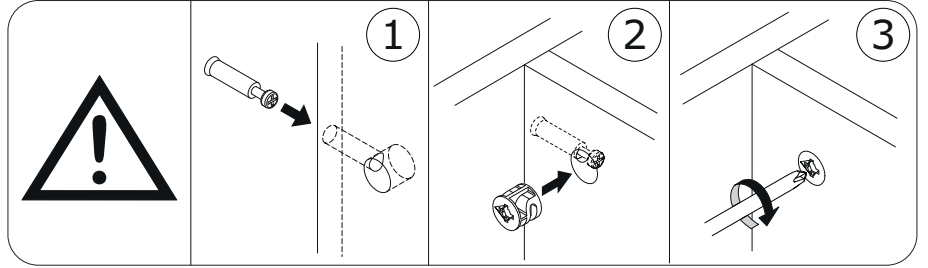
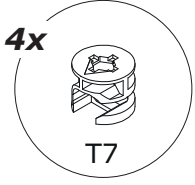
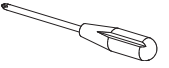
AB

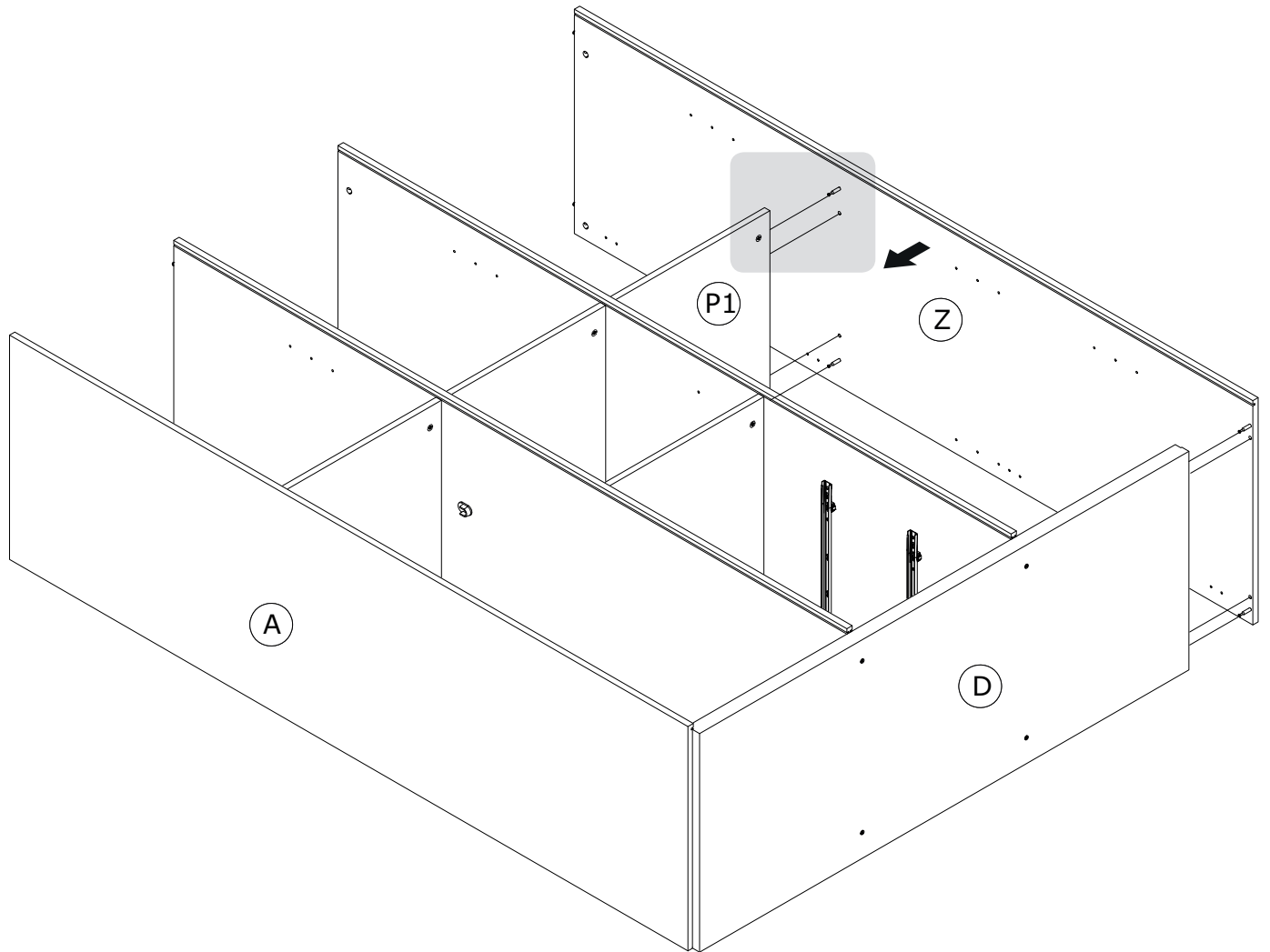
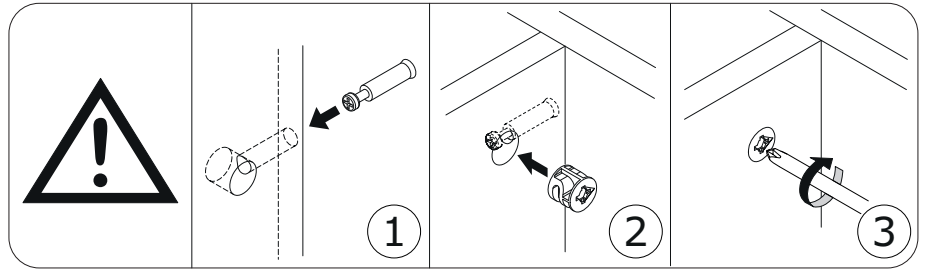
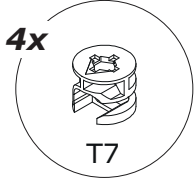
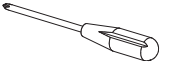


25

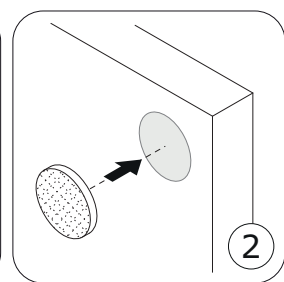
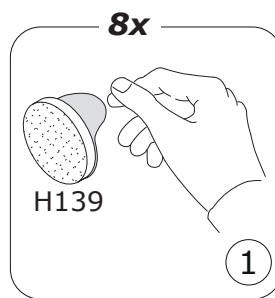
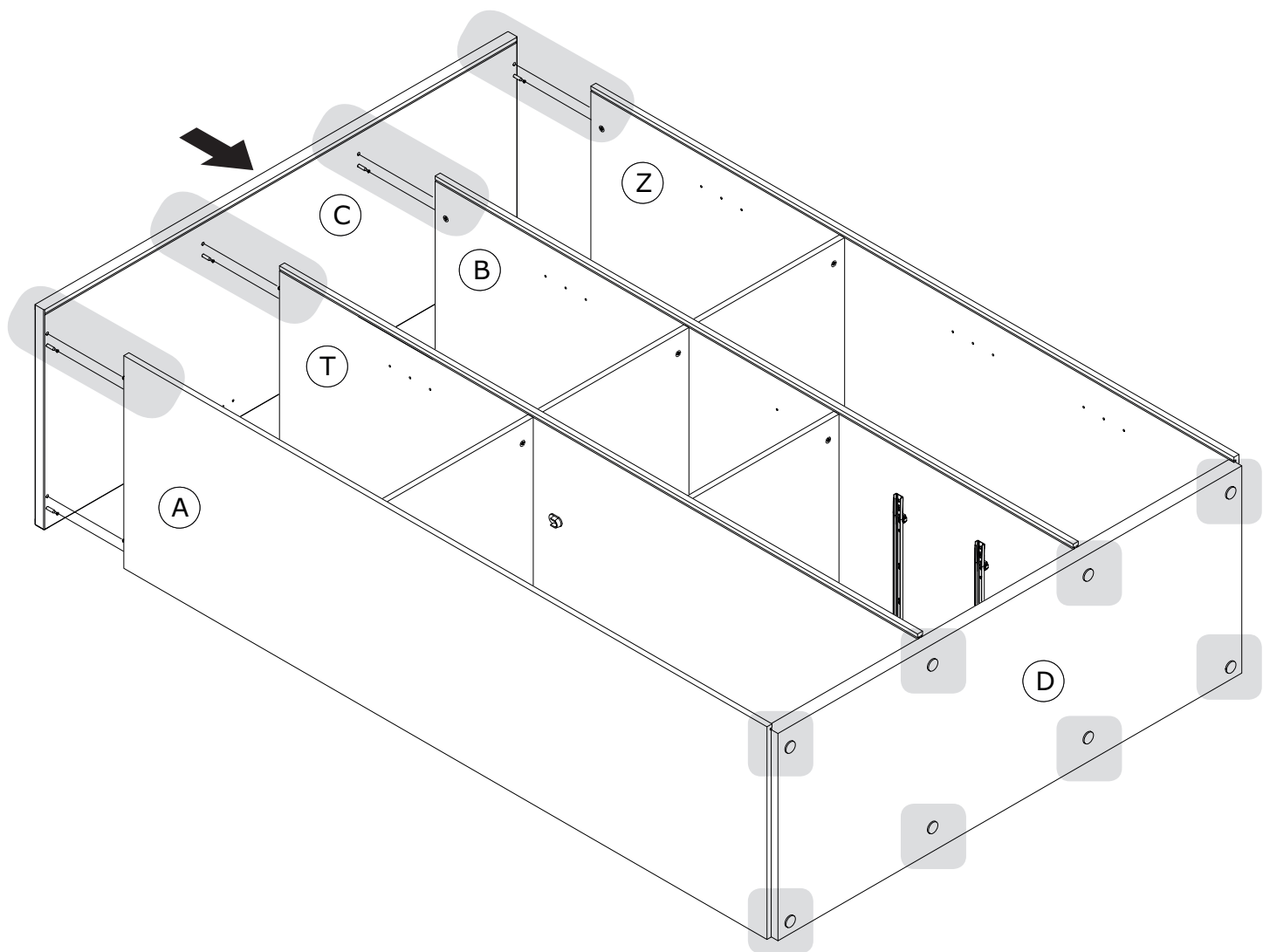
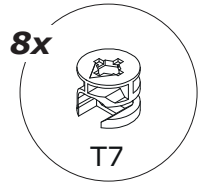
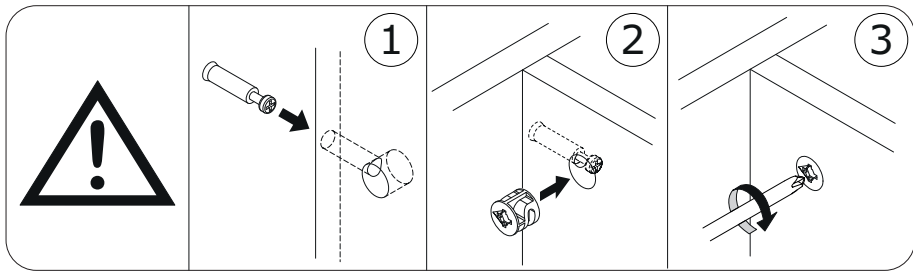
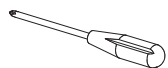
AB





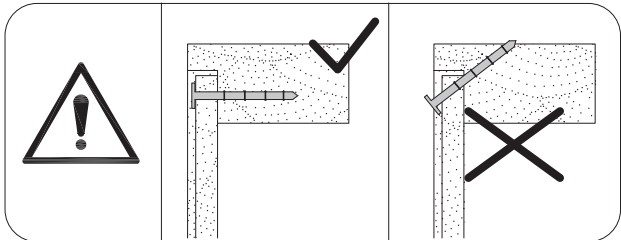
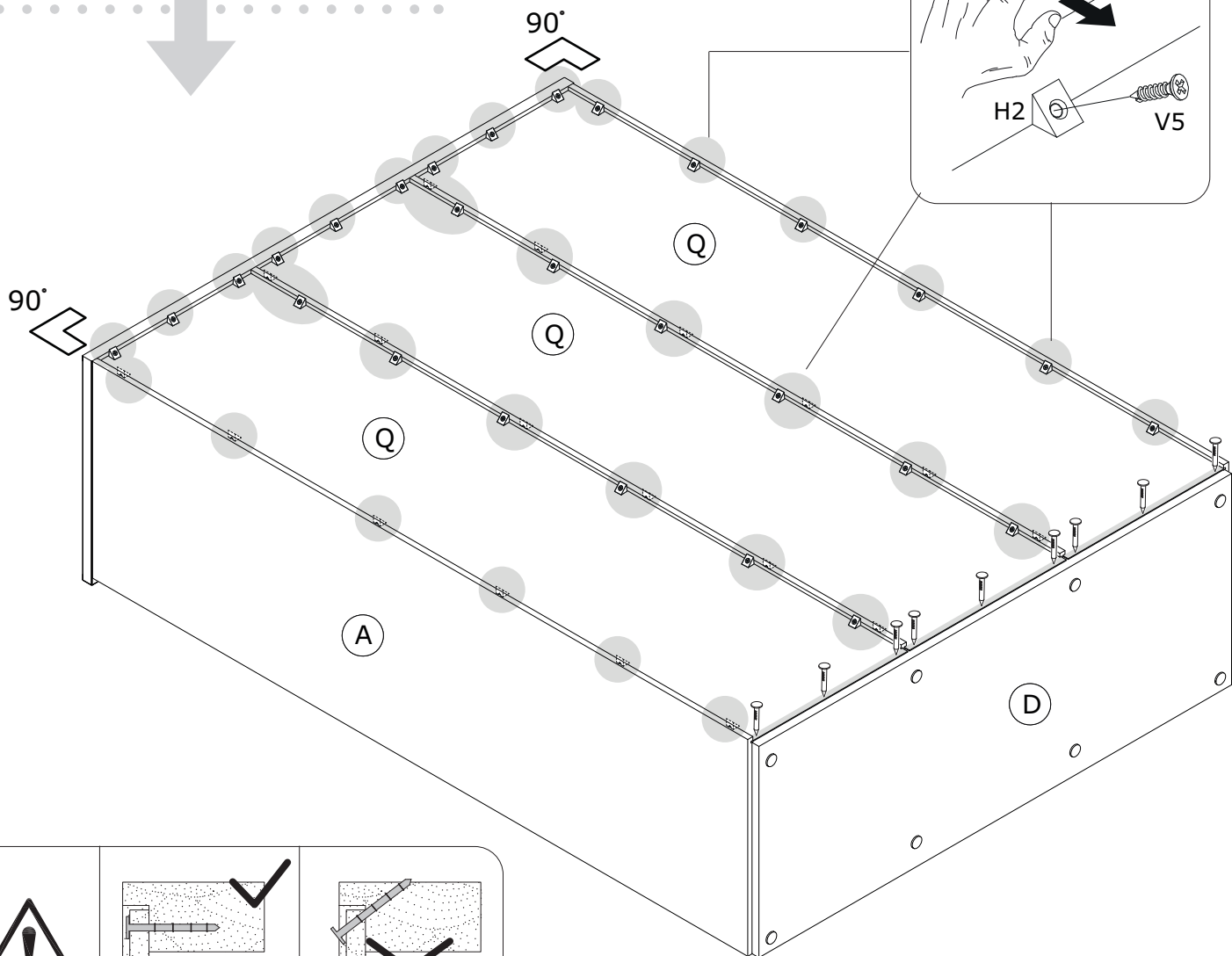
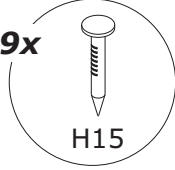
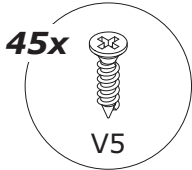
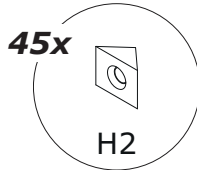
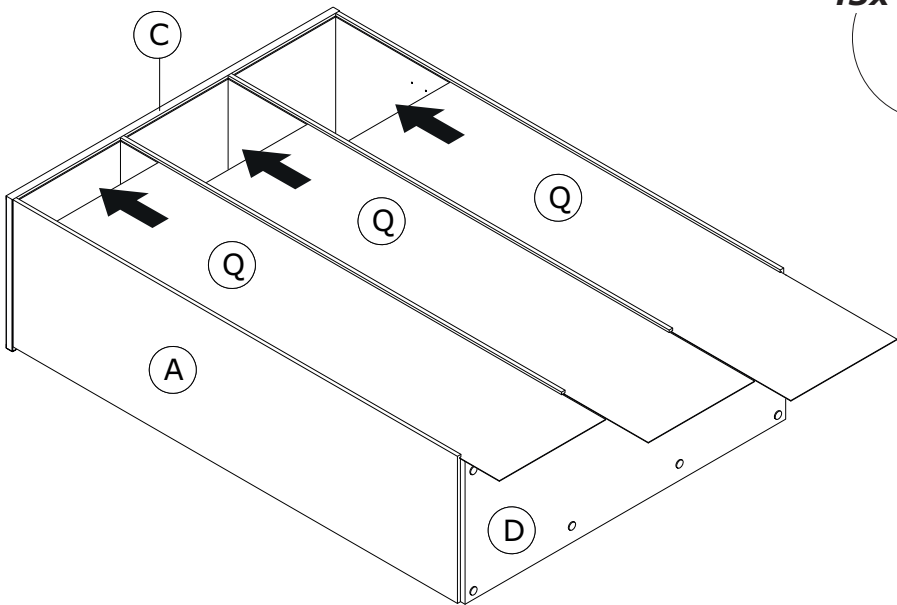
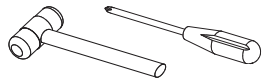


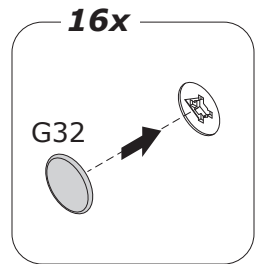
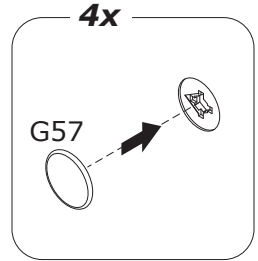
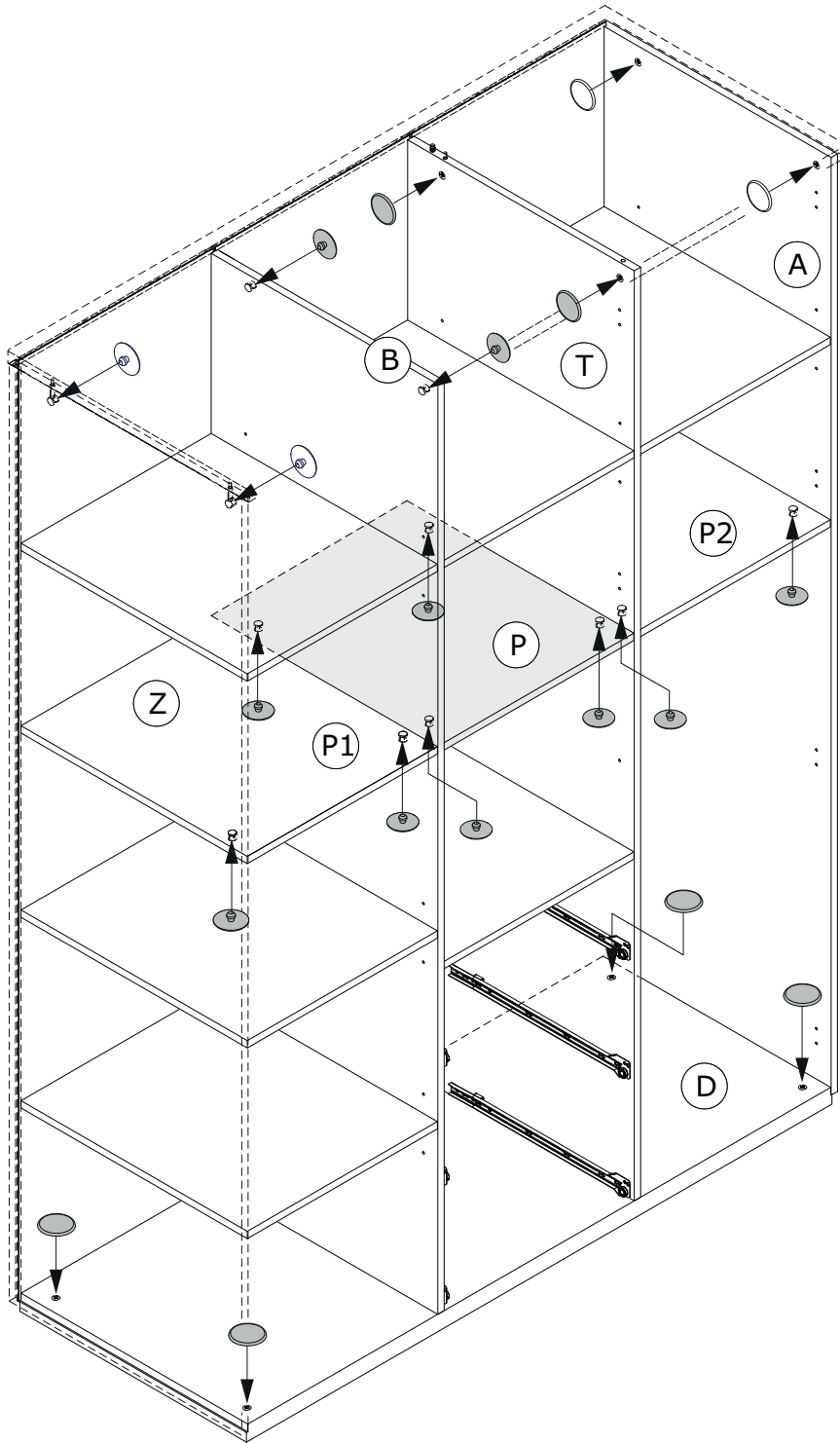
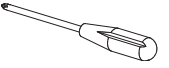
AB



29

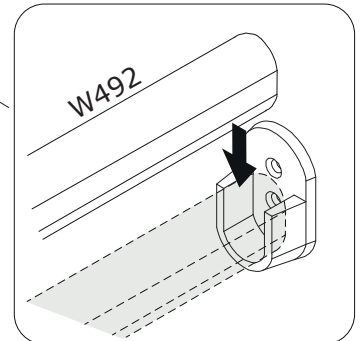
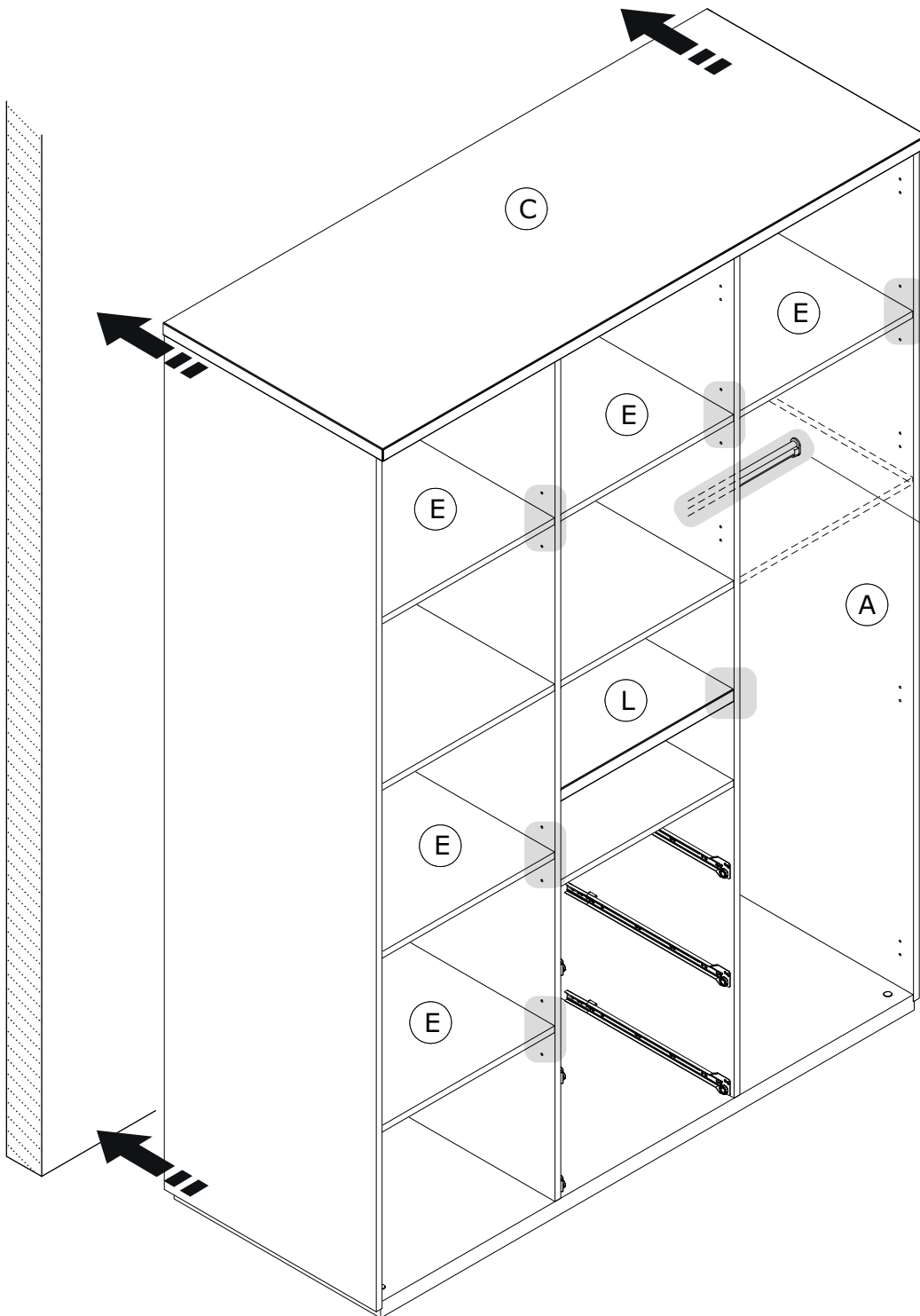
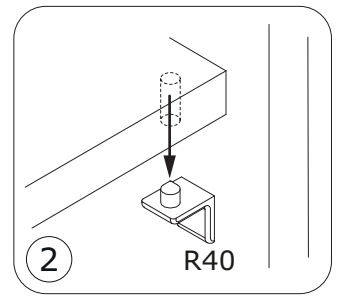
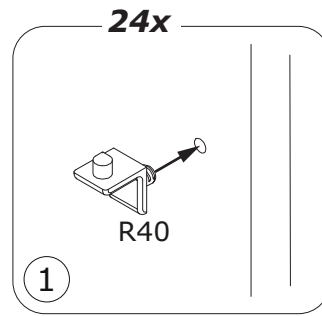
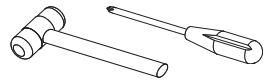
AB

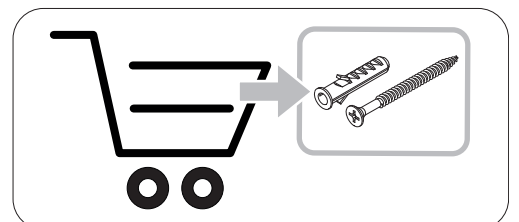
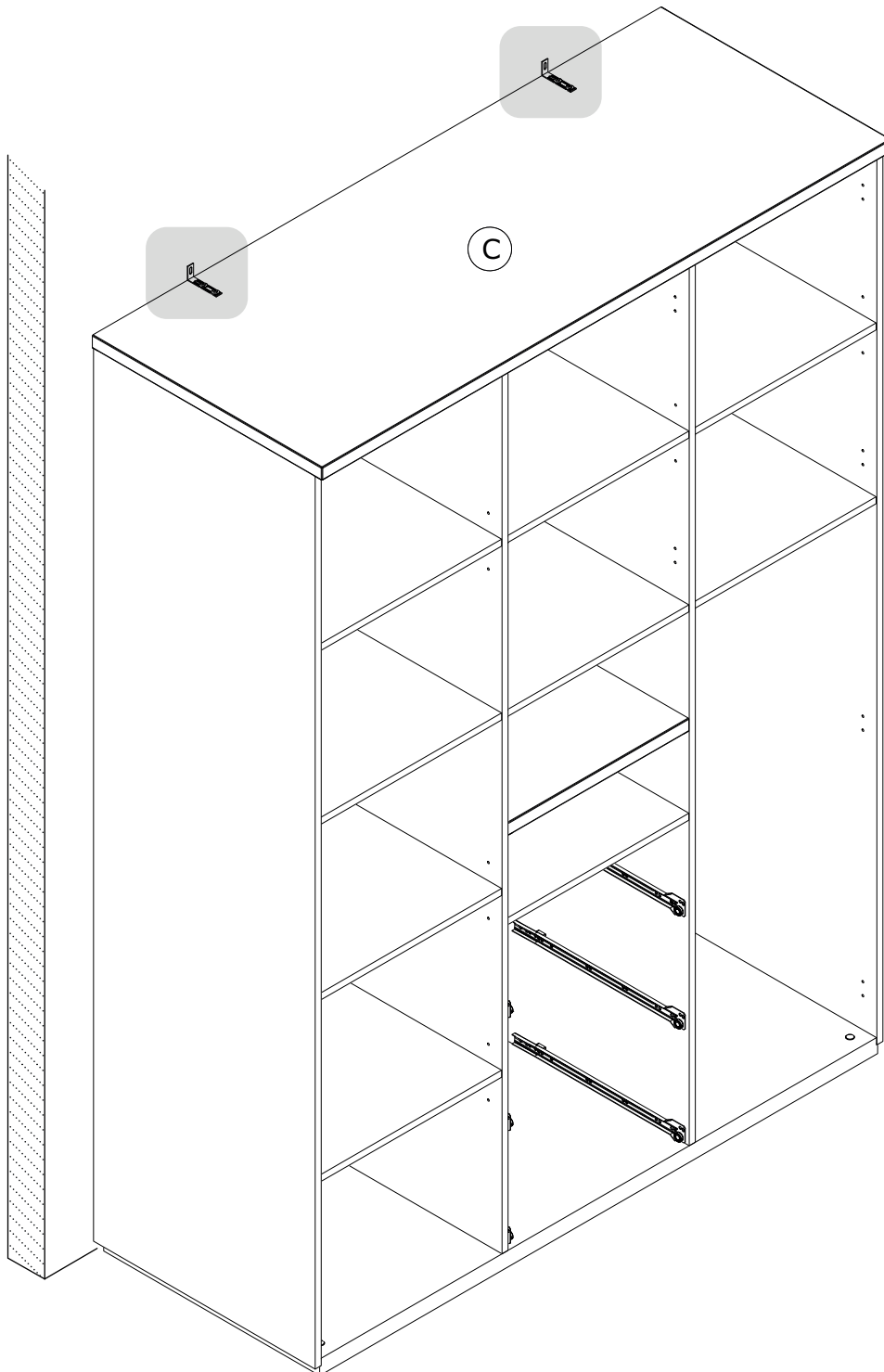
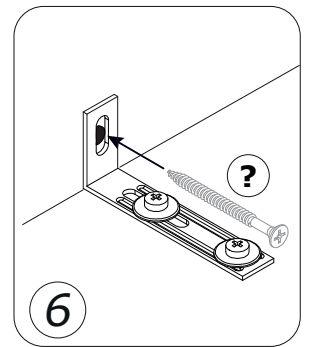
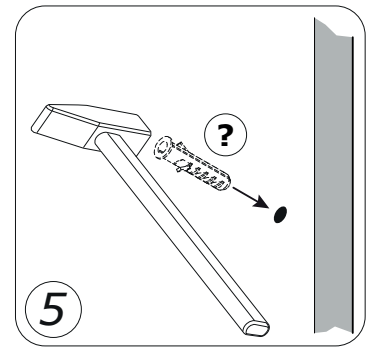
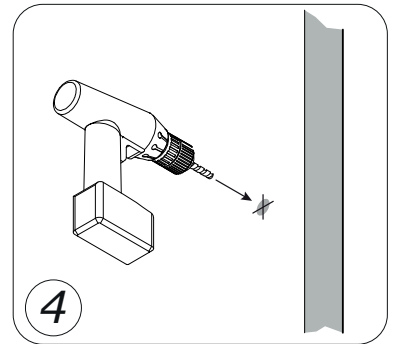
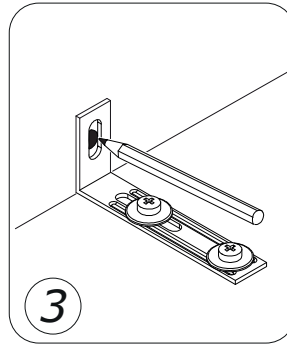
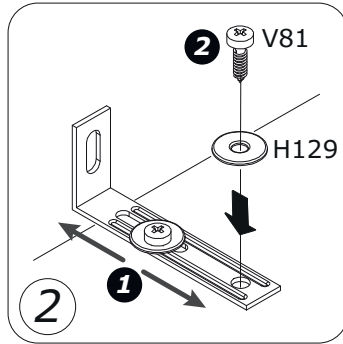
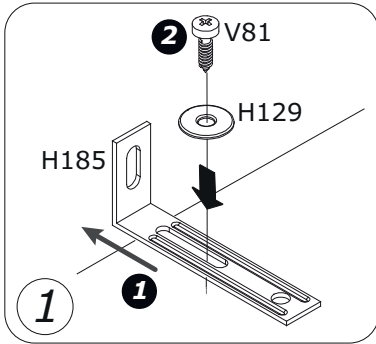
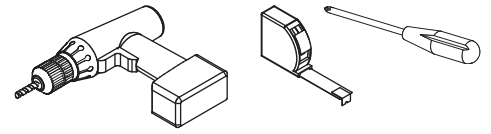




31

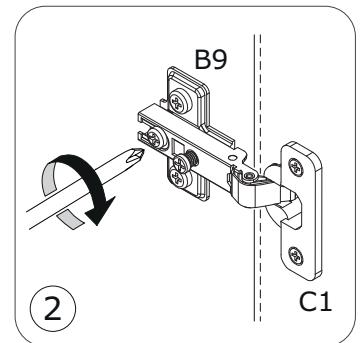
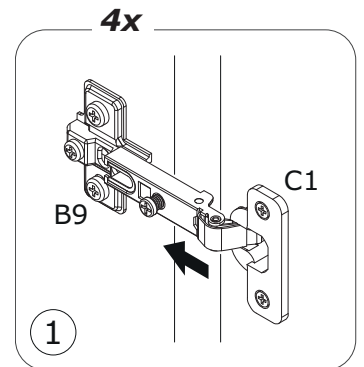
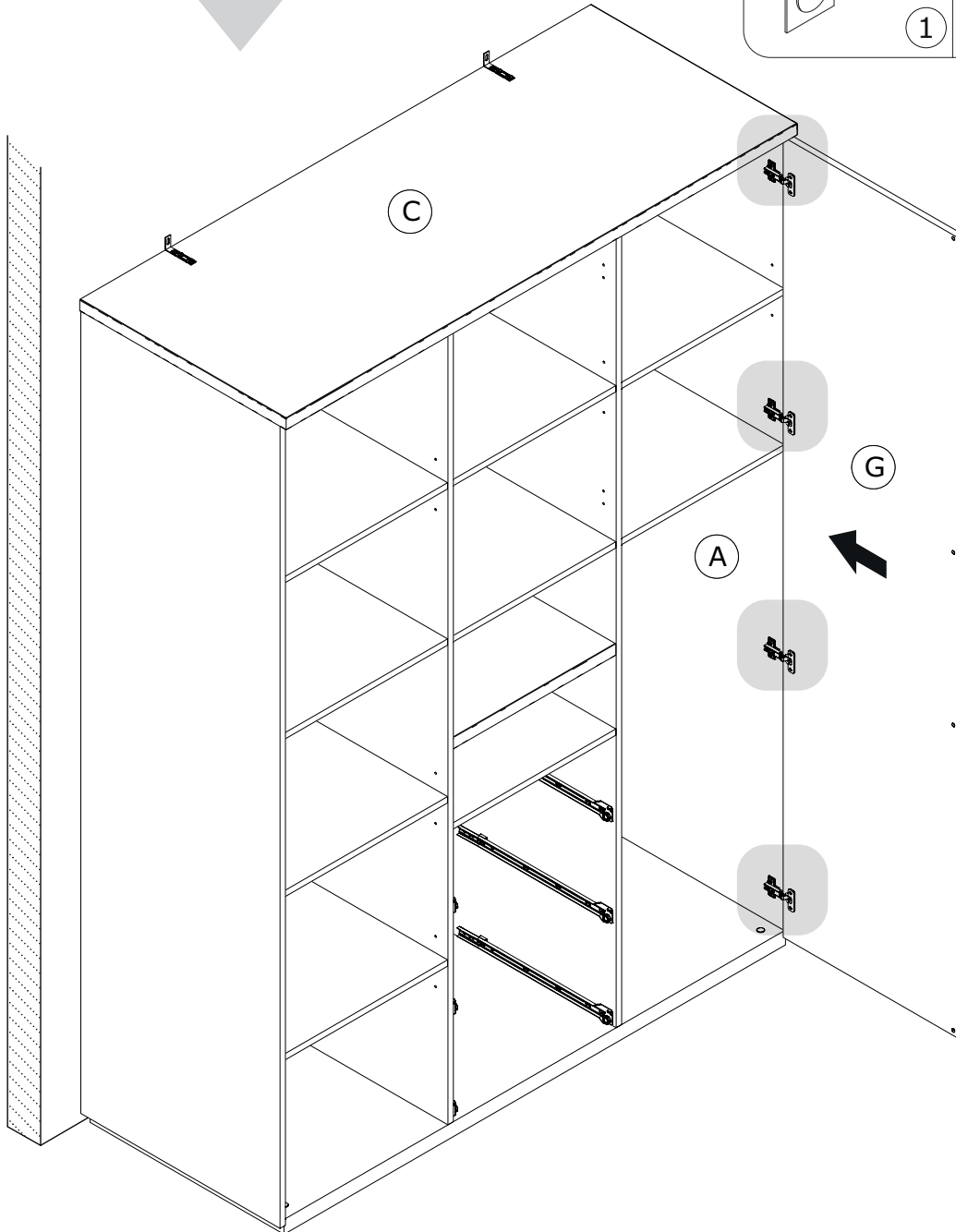
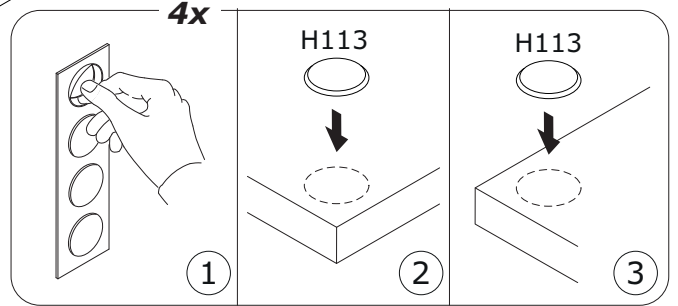
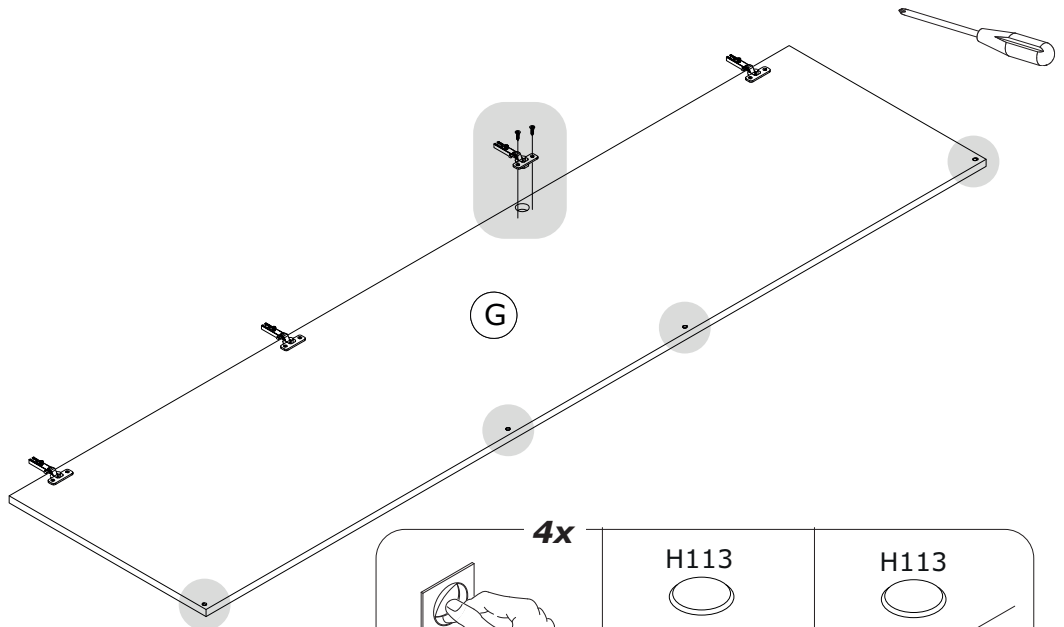
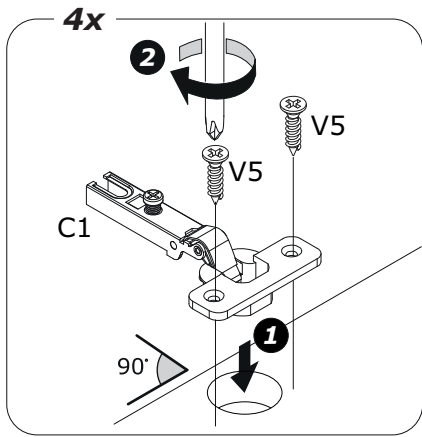
AB



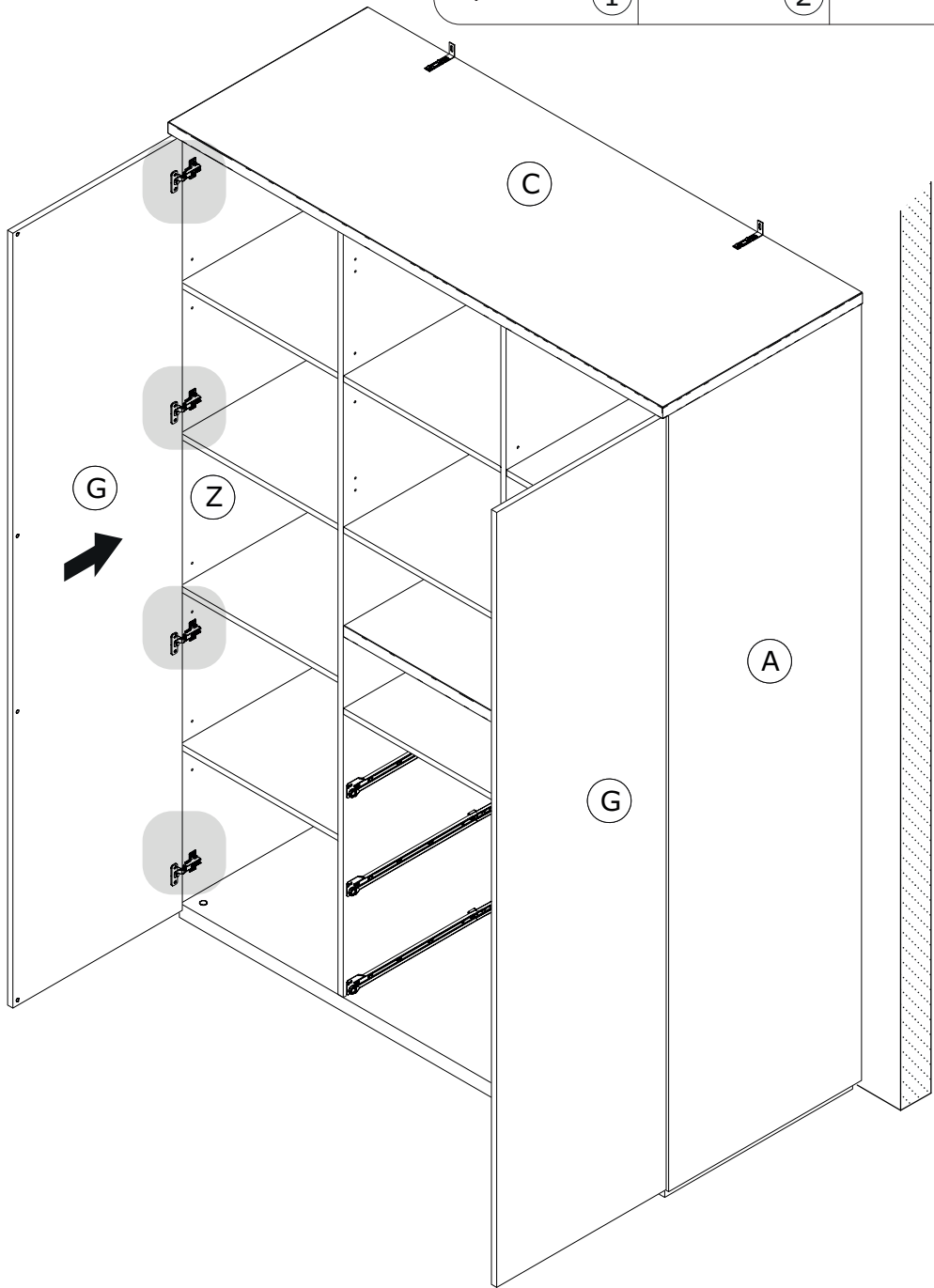
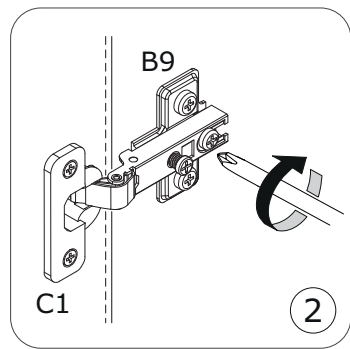
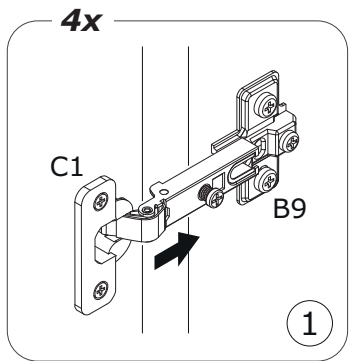
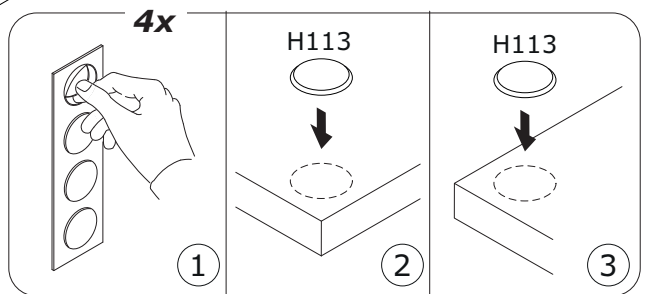
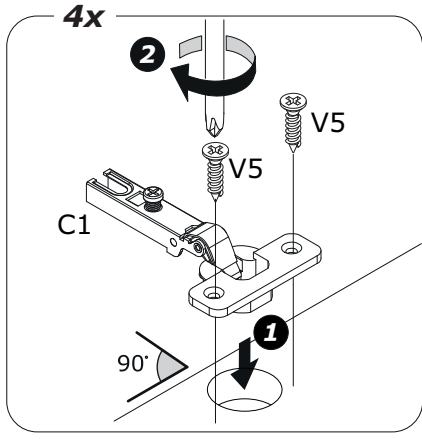
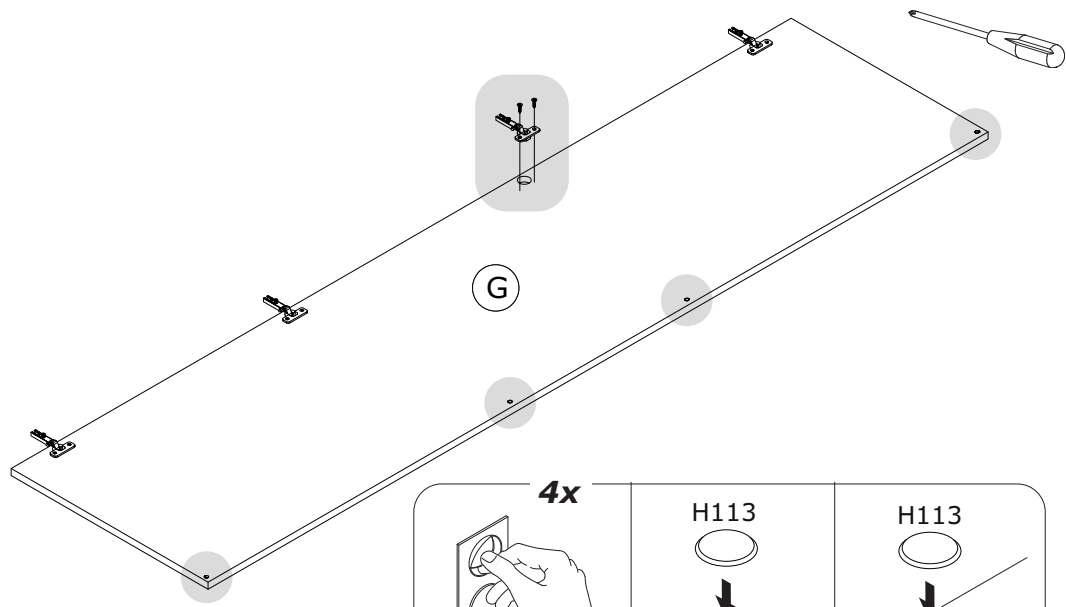


33

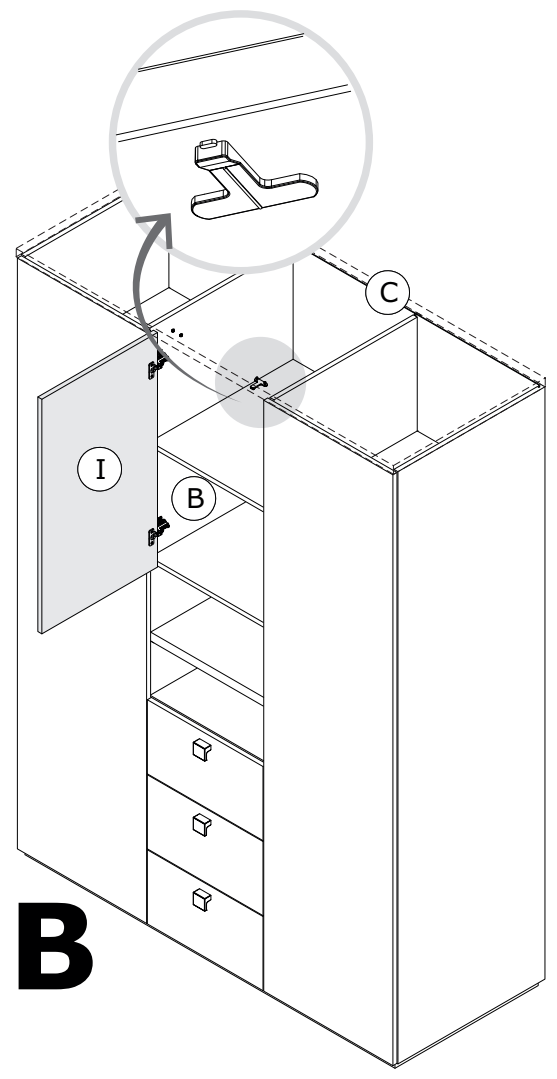
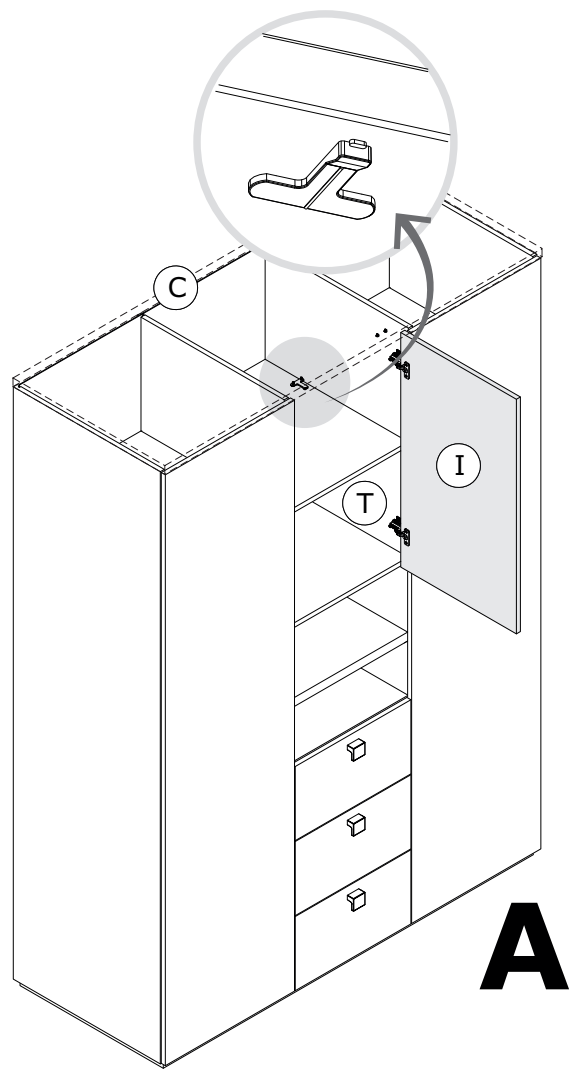
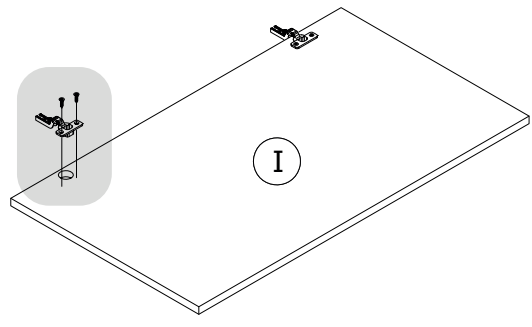
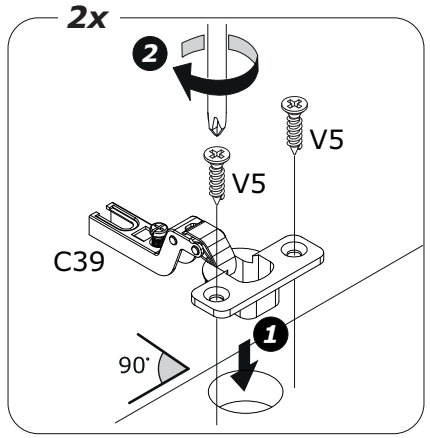
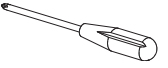
AB



34 AB



AB

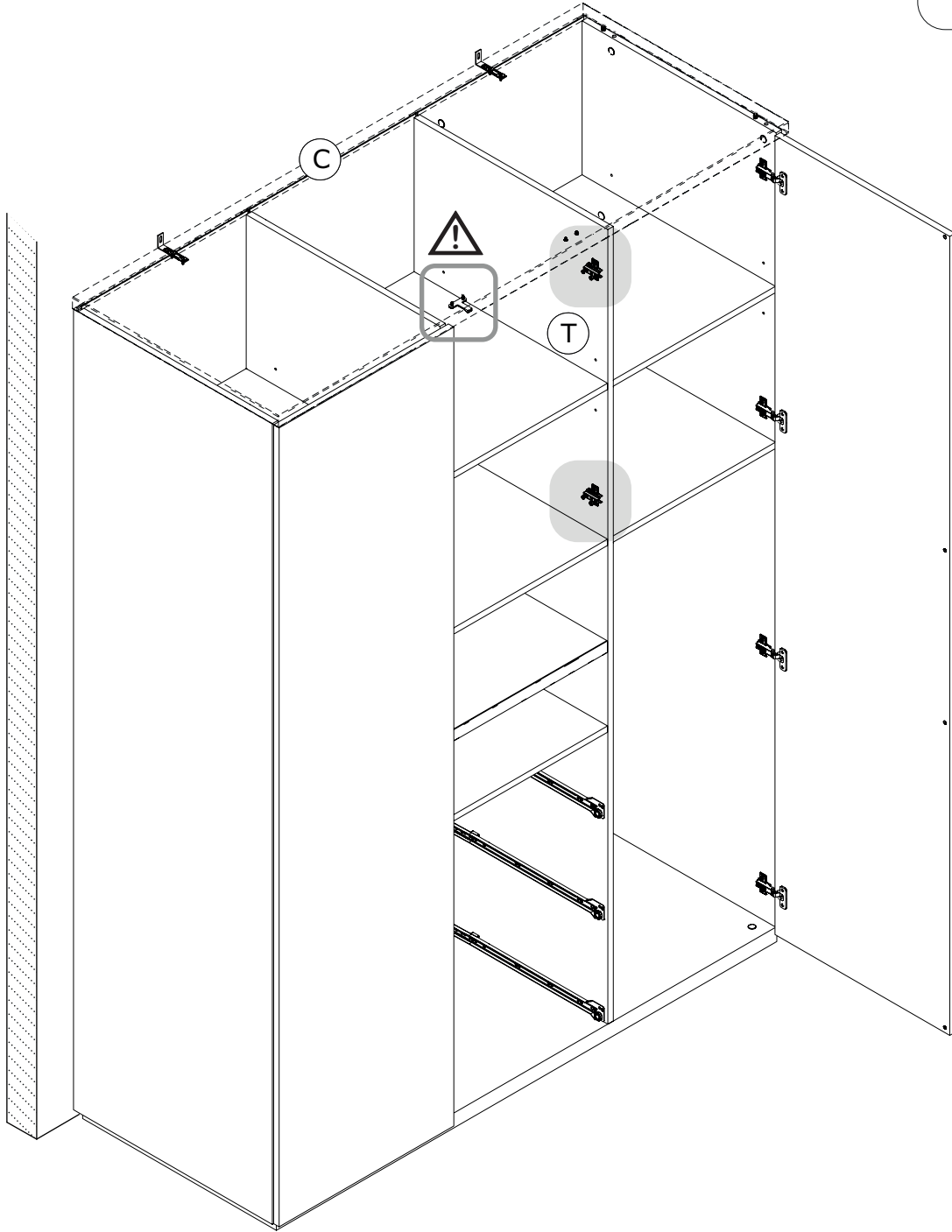
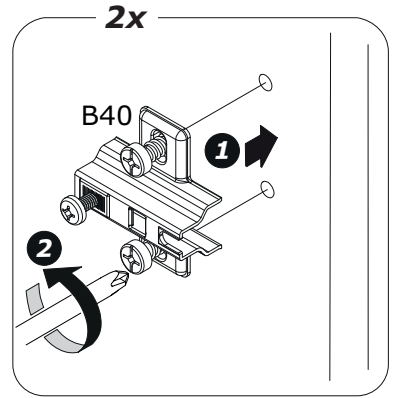
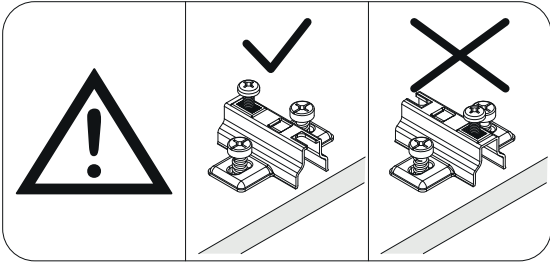
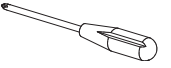


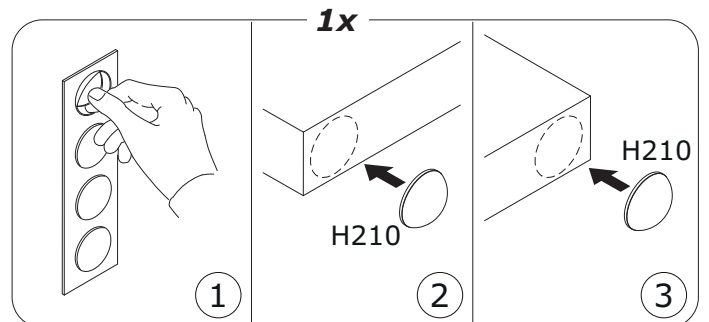
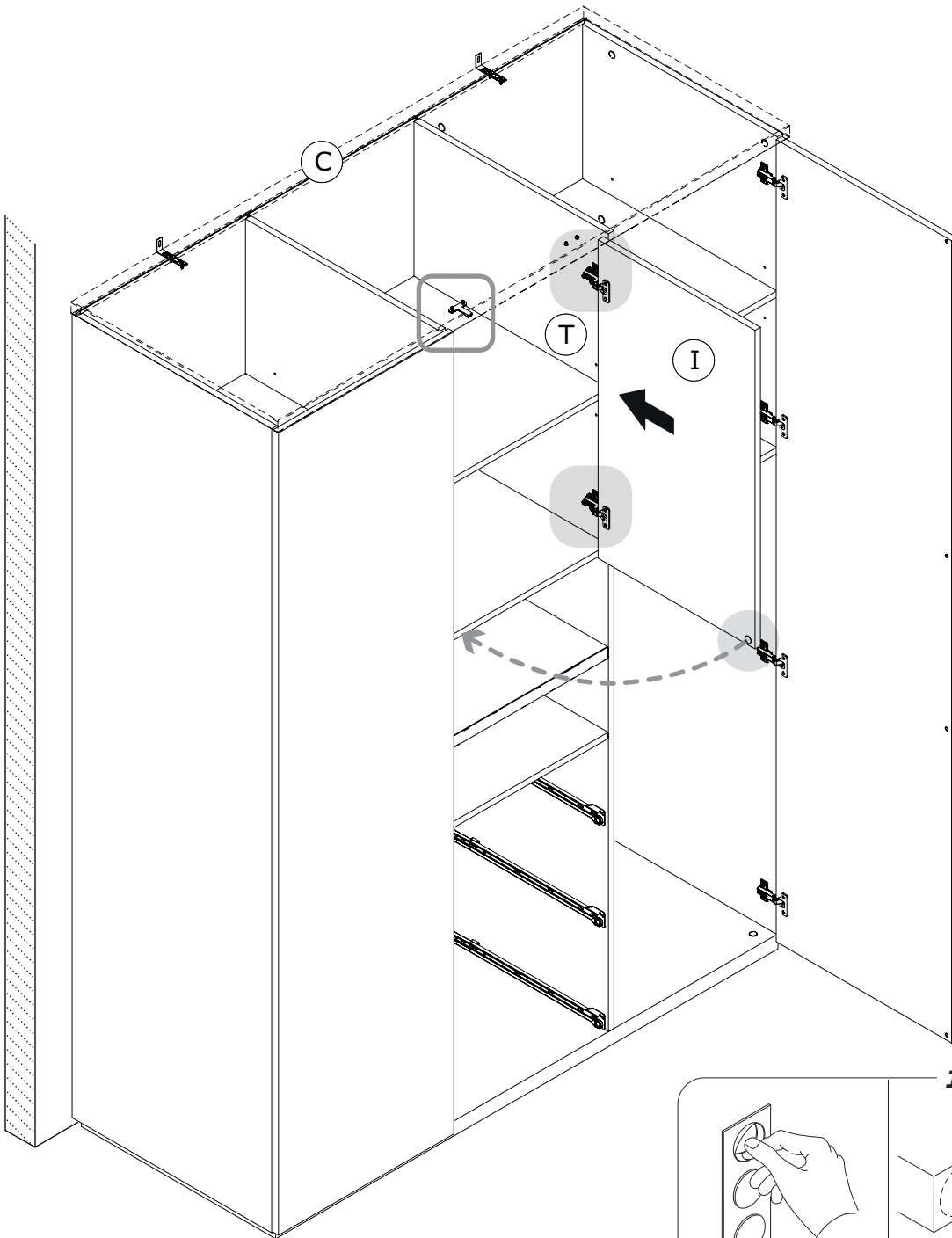
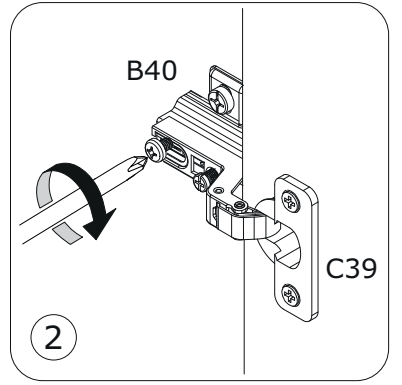
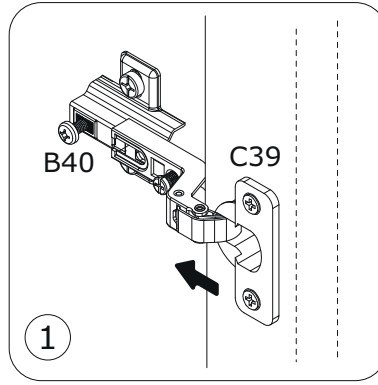
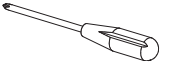
36 - 37

38 - 39

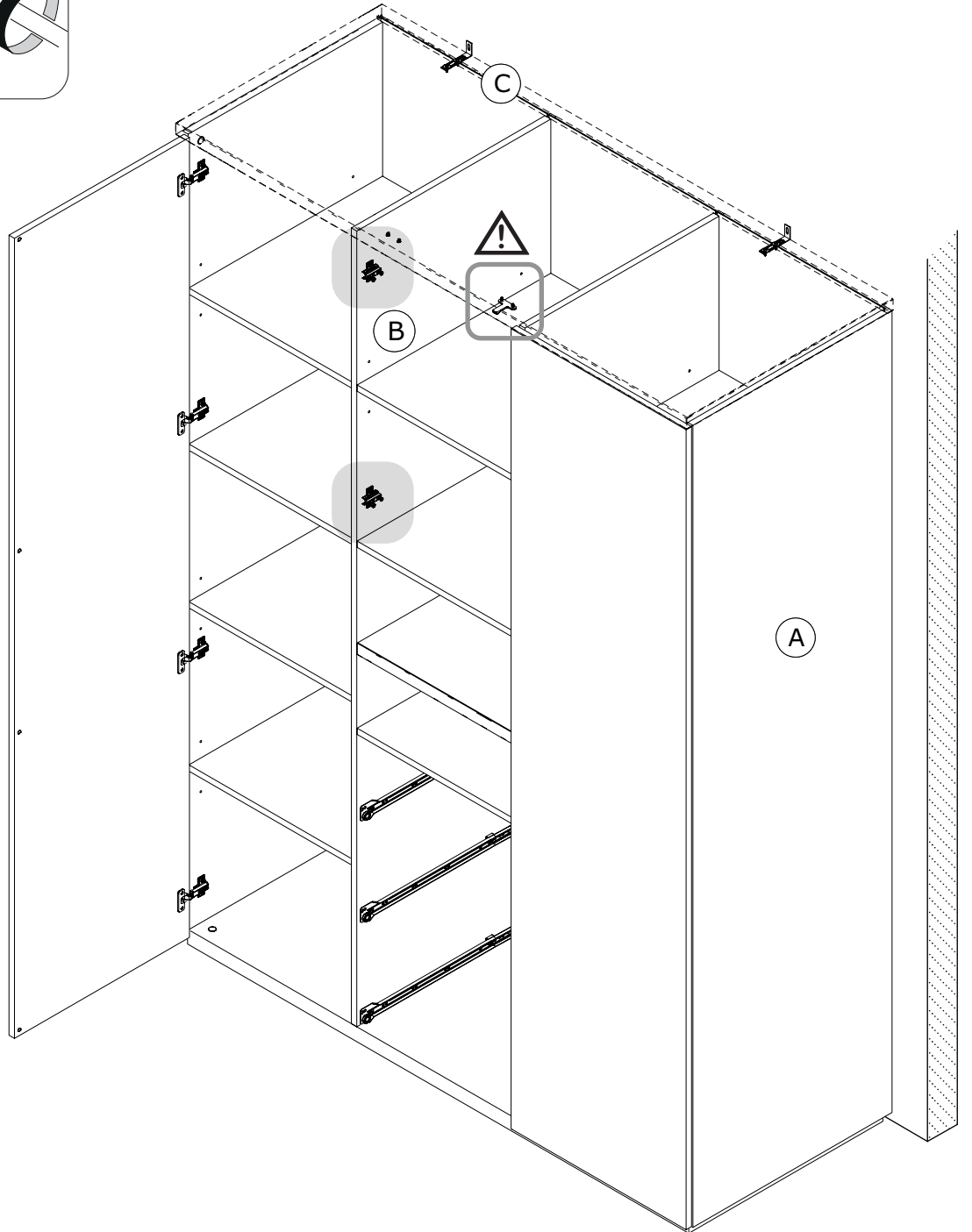
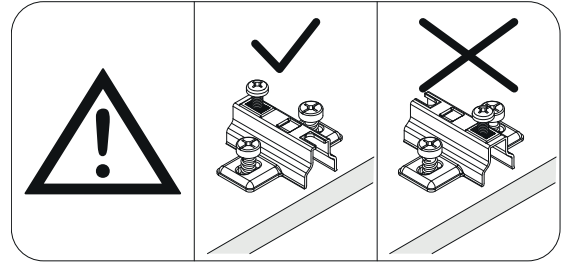
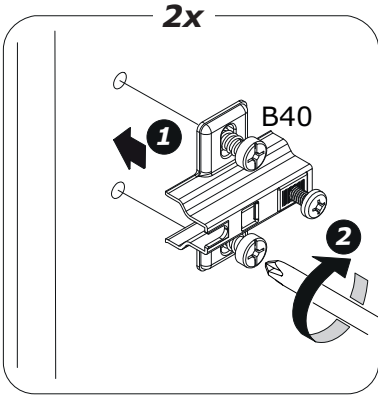
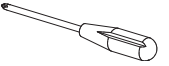
36

A

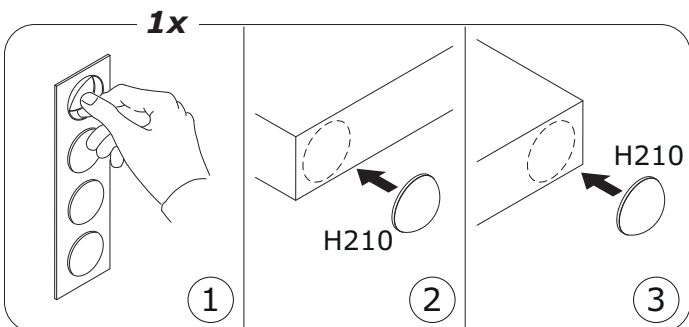
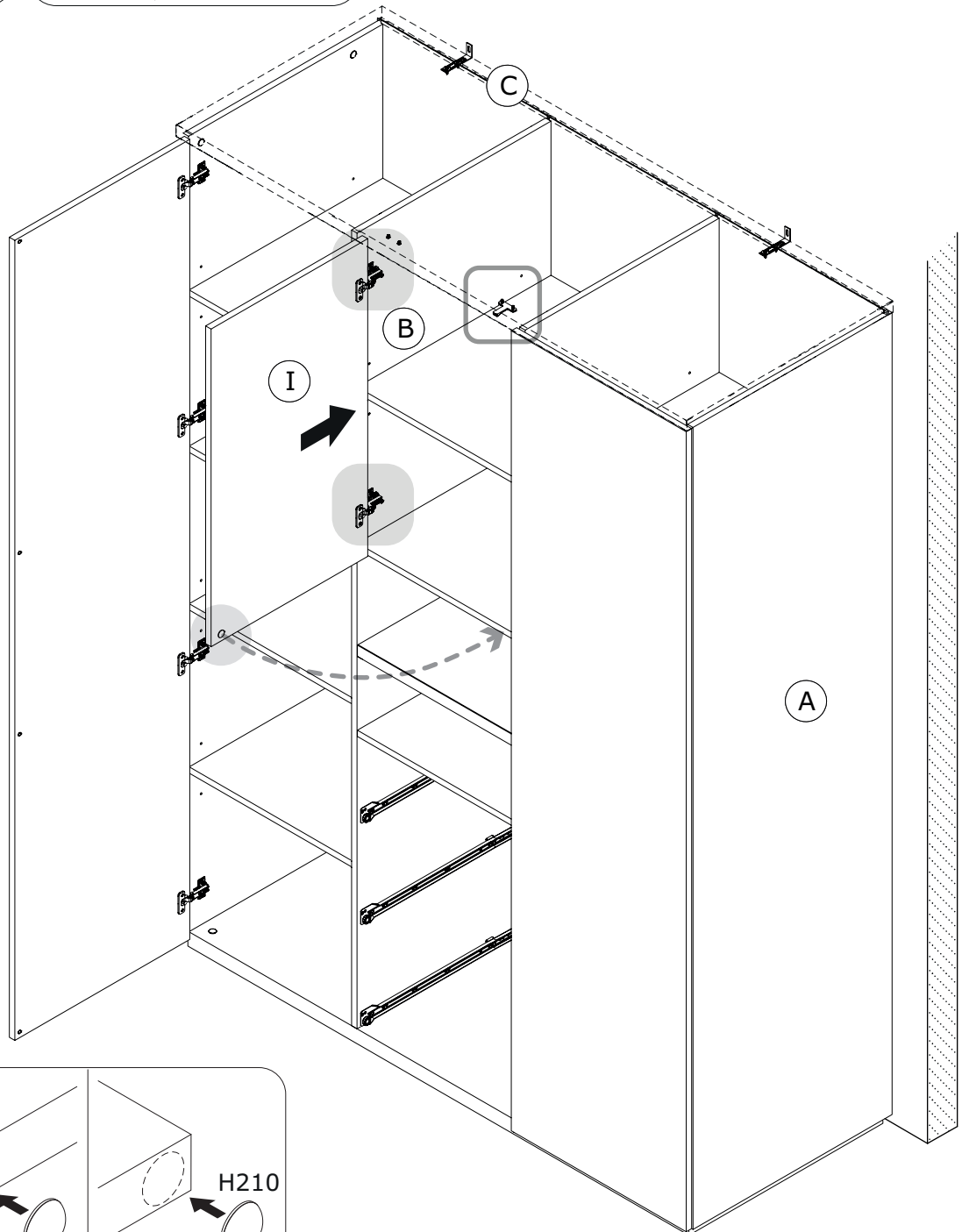
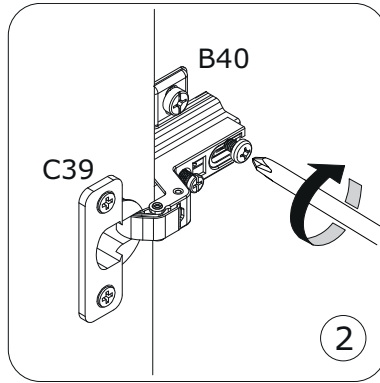
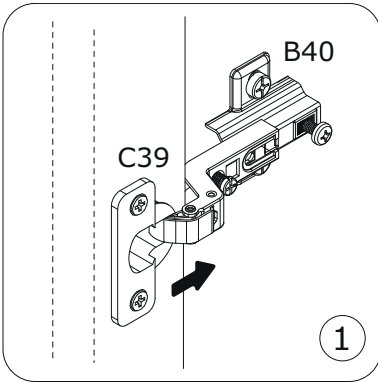
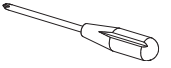


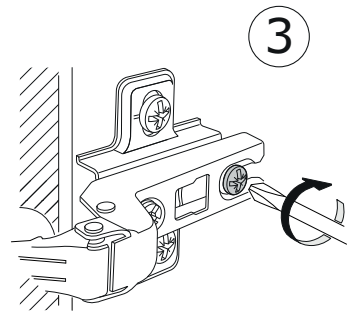
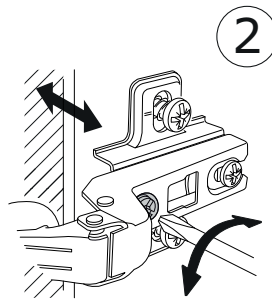
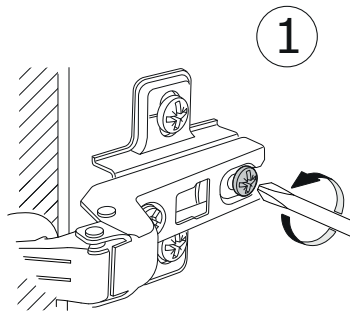
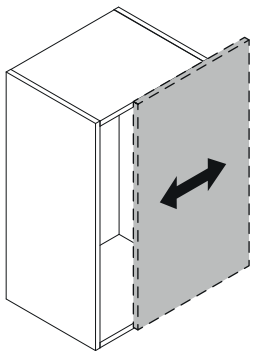
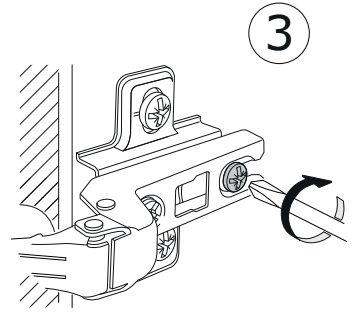
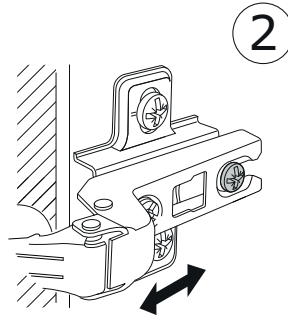
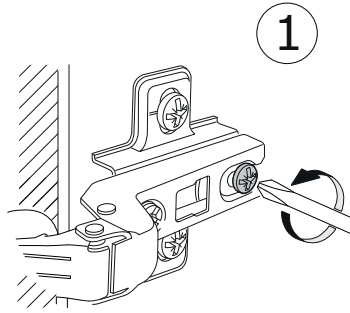
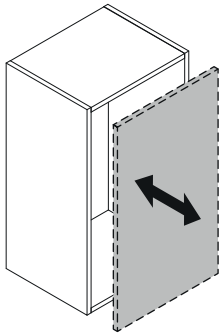
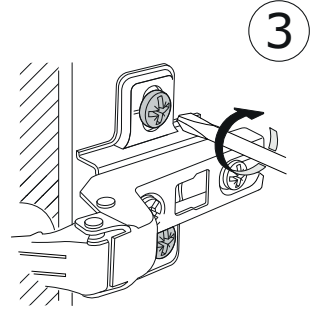
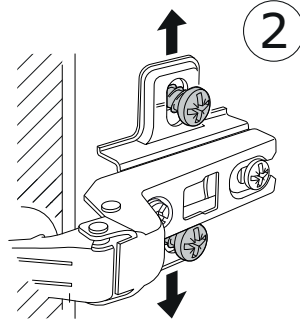
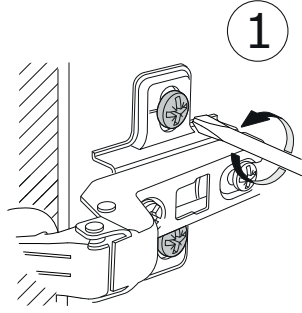
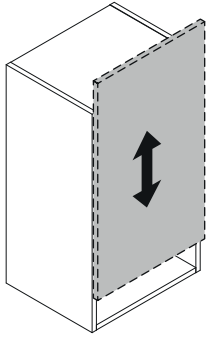
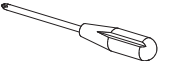


B



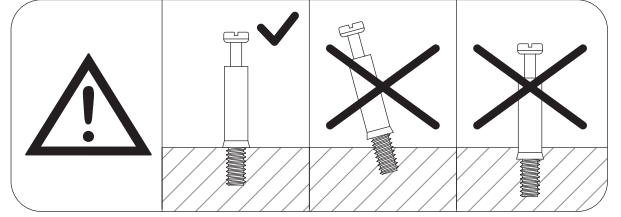
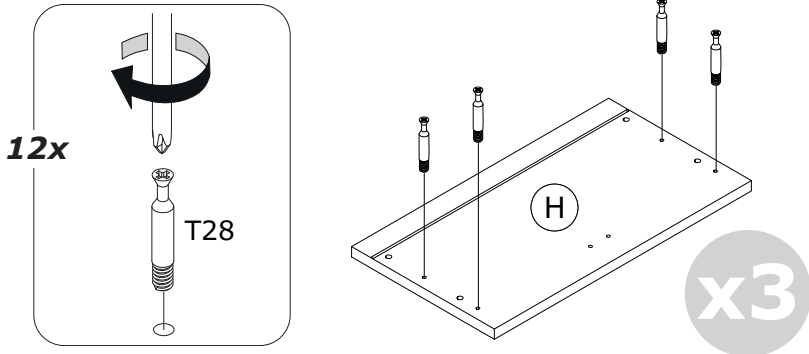
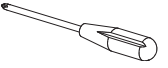
B



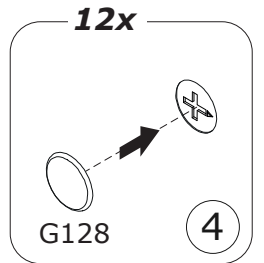
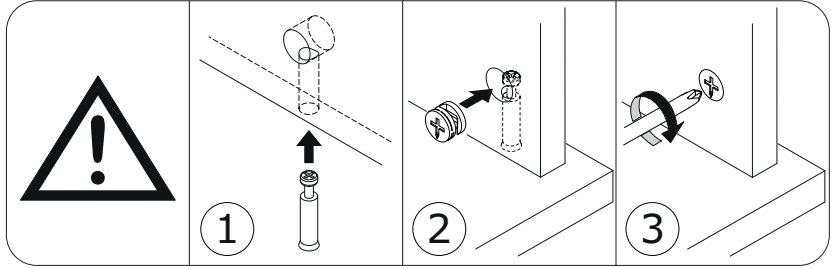
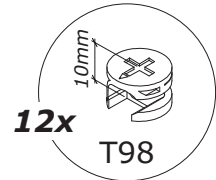
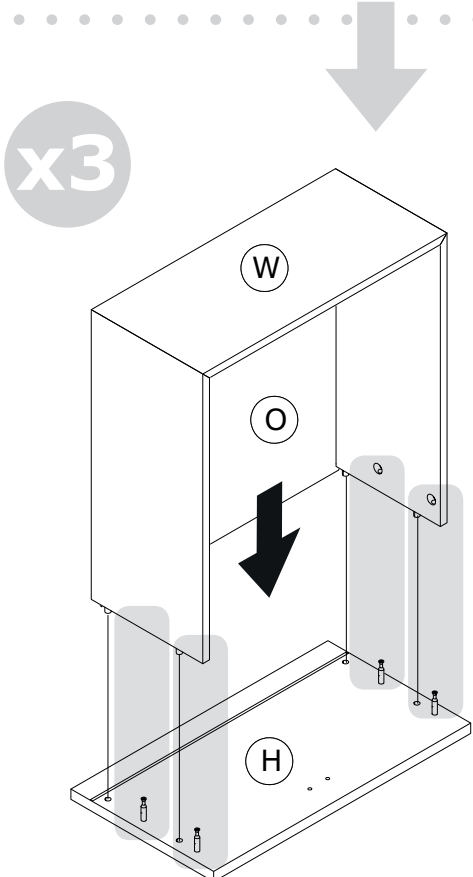
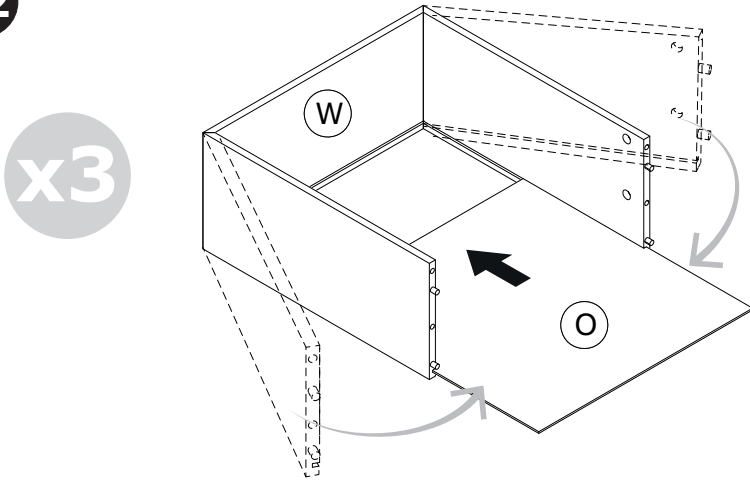
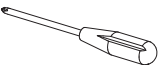


41

AB

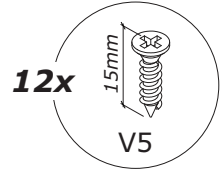
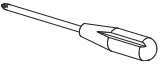


42

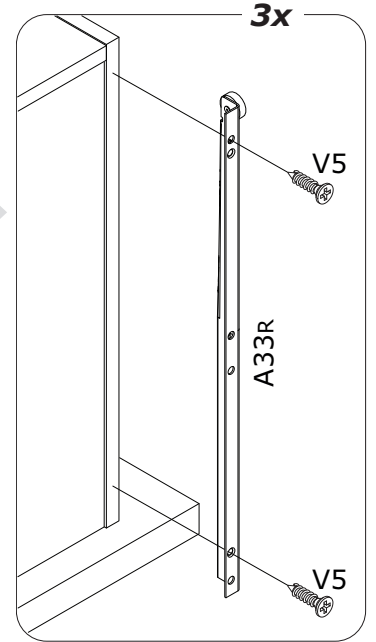
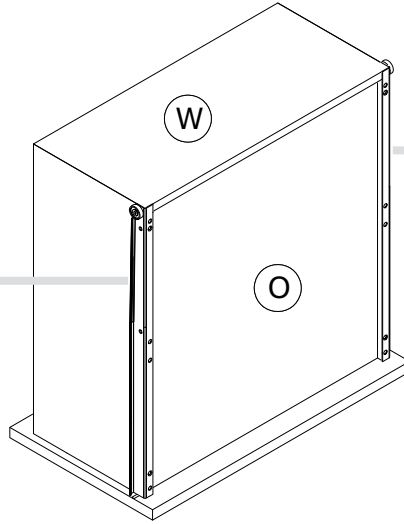
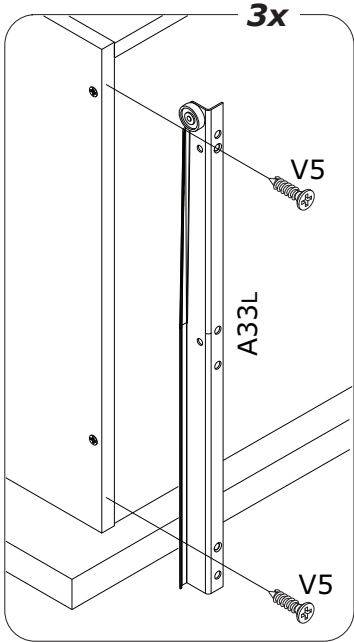


43

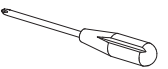
AB



x3



44



x3

