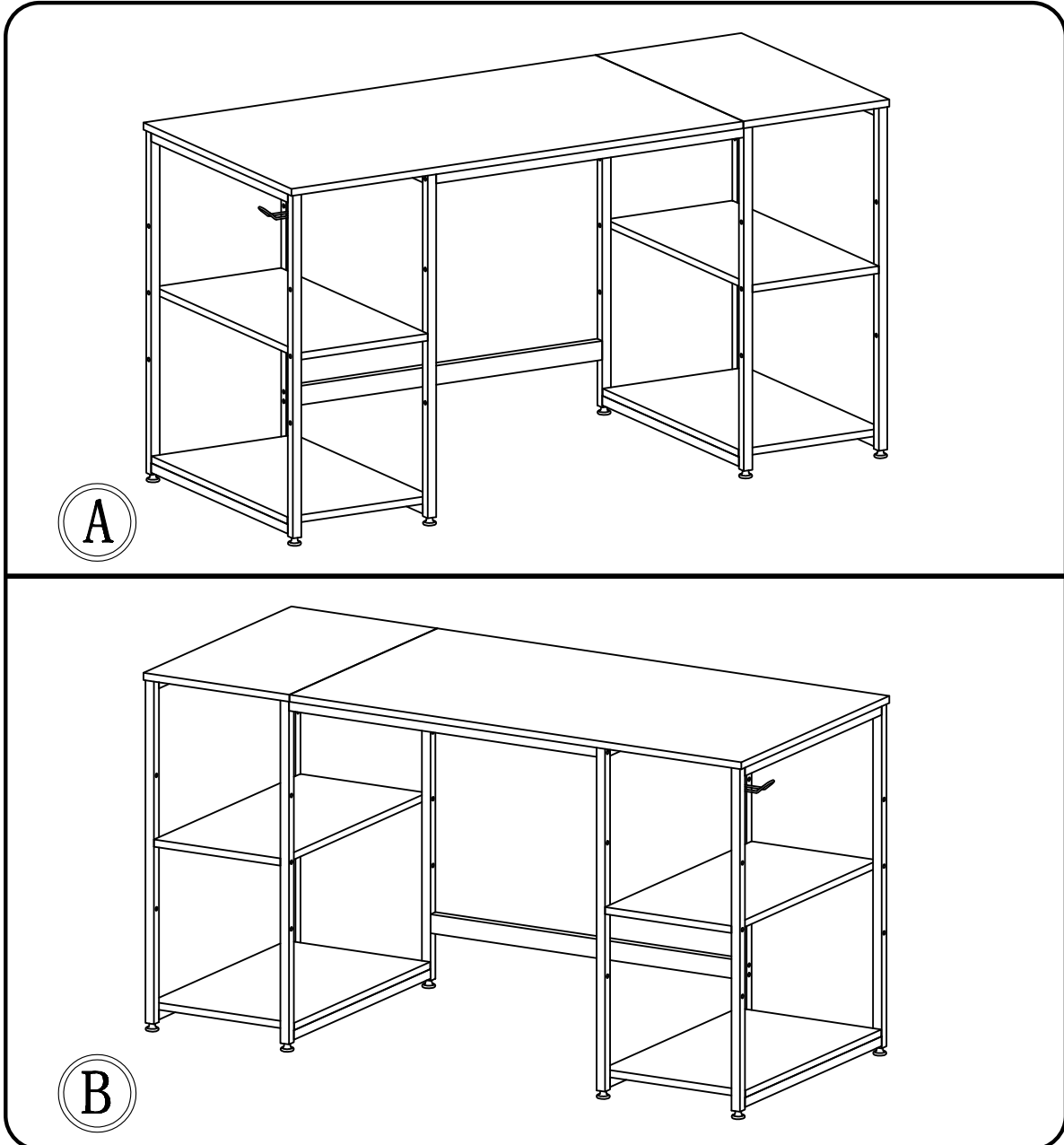


PRODUCT NAME:


**ASSEMBLY
INSTRUCTION**

55" computer desk with 4 shelves



IMPORTANT

CONTACT US BY:

 **PHONE: 888-666-1086**

 **EMAIL: Service@nostnhost.com**

Thanks for choosing us. Your item is sent with care.
Please share your shopping experience on the platform if you are satisfied with it.
Feel free to contact us if you need help.



HELPFUL HINTS

! ASSEMBLY TIP

BEFORE YOU START

- Read through each step carefully and follow the proper order by reading this installation instructions.
- Separate and count all your parts on a clean surface to check if the tags and numbers are correct.
- Give yourself enough room for the assembly process.

! CAUTION

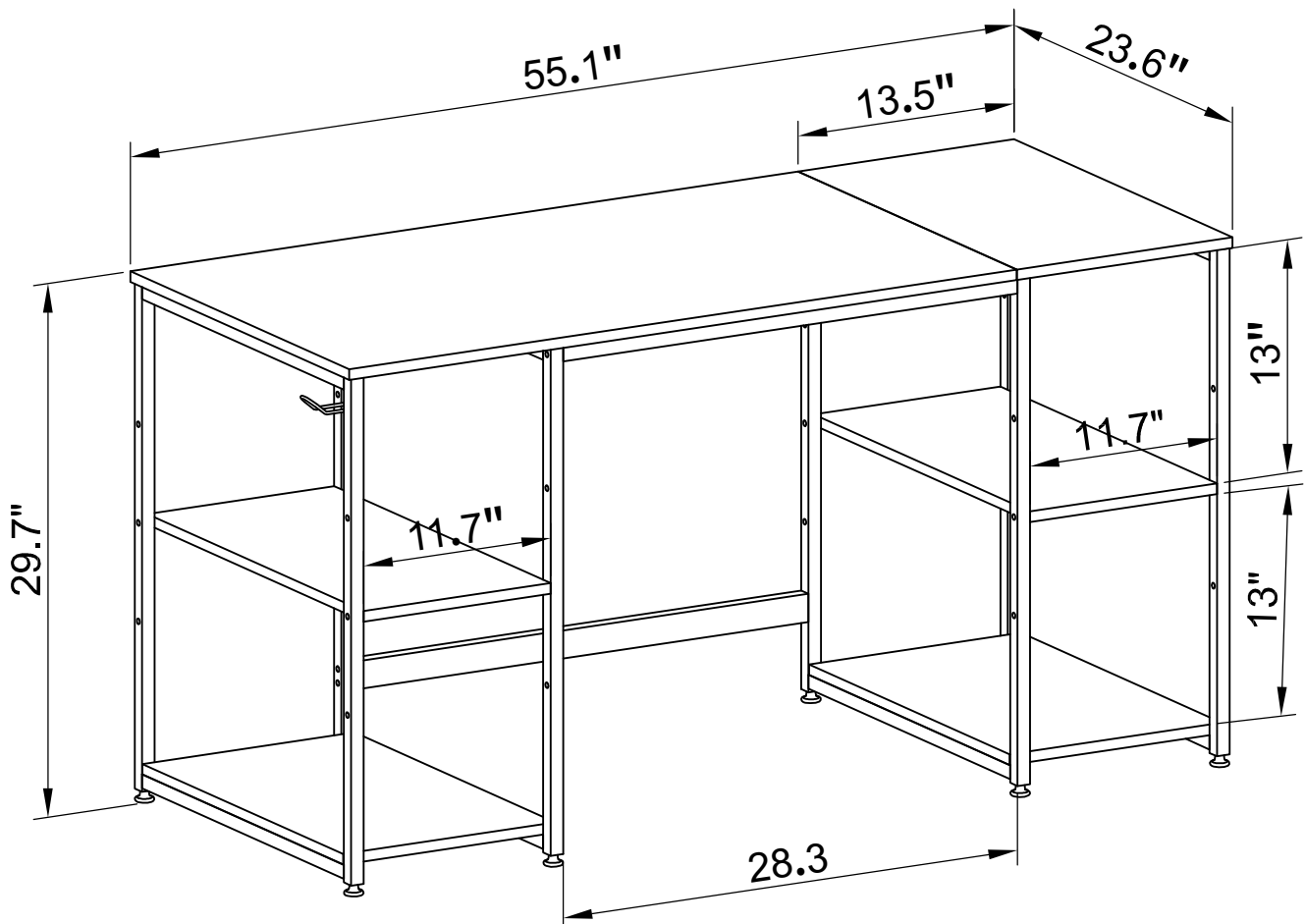
- If using a power drill or power screwdriver for screwing please be aware to slow down and stop when screw is tight Failure to do so may result in stripping the screw.

! PEOPLE NEEDED FOR ASSEMBLY:1-2 ESTIMATED ASSEMBLY TIME:1HOUR

- Open your item in the area you plan to keep it to avoid excessive heavy lifting.
- Identify, sort and count the parts before attempting assembly.
- Check the product packaging ,whether the appearance is good.
- According to the product drawing, determine the product installation position and install according to the correct steps.
- Do NOT use harsh chemicals or abrasive cleaners on this item.
- Carefully push, pull, or drag your furniture.

INSTALLATION POINTS

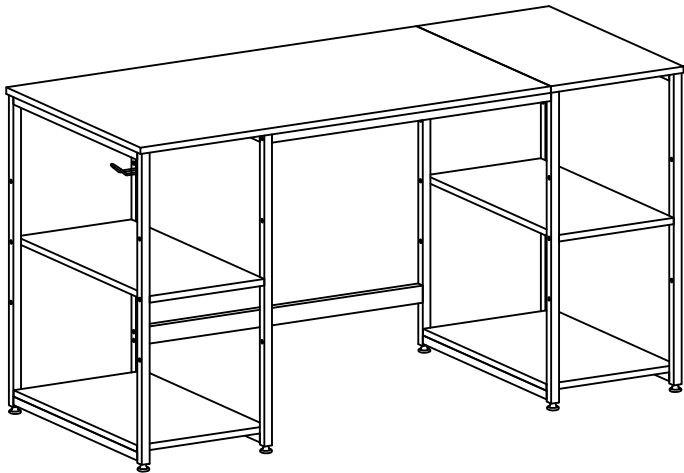


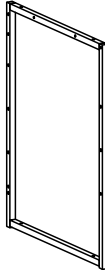
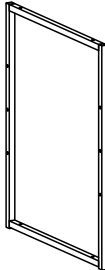
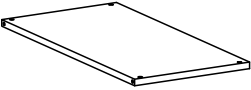
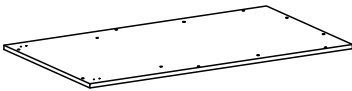
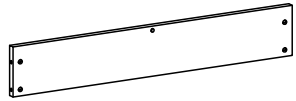
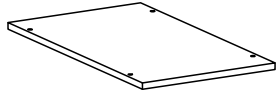
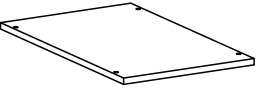
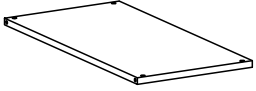


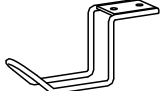
UNIT: INCH



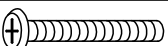
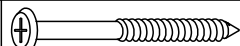
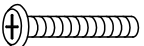




D044D

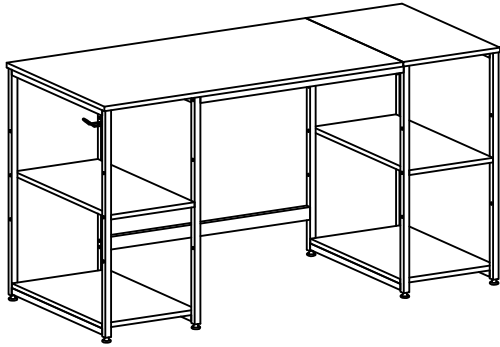
02

PARTS LIST

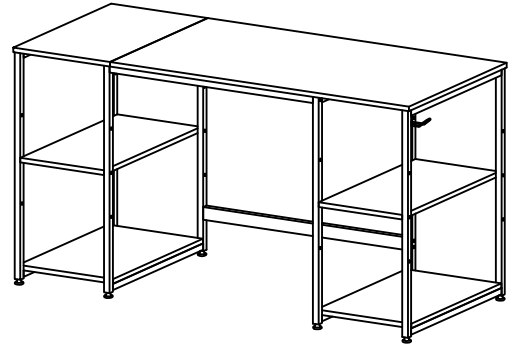
	1  ×1	2  ×1	
	3  ×2	4  ×2	
5  ×1	6  ×1	7  ×1	8  ×1
9  ×2	10  ×1	11  ×8	12  ×3
13  ×1			

ACCESSORIES LIST

No.	PICTURE	SIZE	QTY	No.	PICTURE	SIZE	QTY
A		M6x35	6	E		ST5x50	12
B		M6x30	20	F		ST3.5x14	2
C		M6x12	6				
D		M6	2				



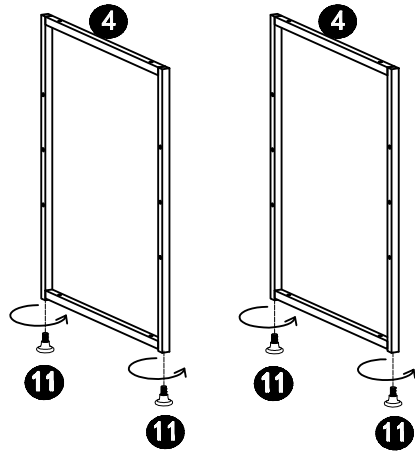
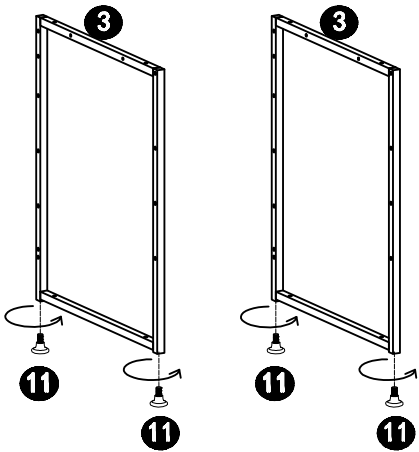
A



B

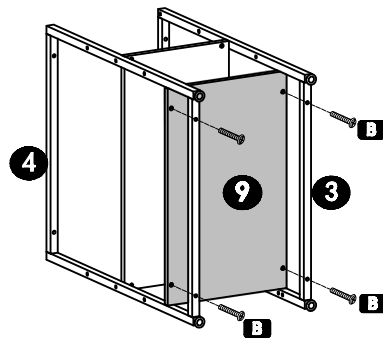
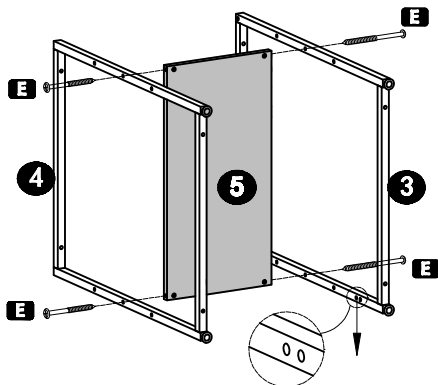
※ The black piece desk top board can be installed at left or right side according to your preference.

STEP 1



STEP 2

※ You can install the shelf board in different height to meet your need. Do not tighten the screws in this step.

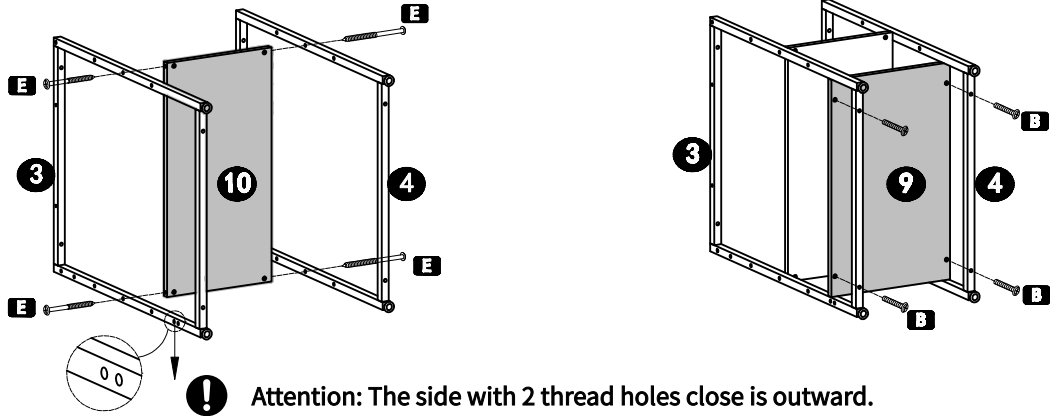


! Attention: The side with 2 thread holes close face inward.

E ST5x50 4 **B** M6x30 4

STEP 3

※ You can install the shelf board in different height to meet your need. Do not tighten the screws in this step.

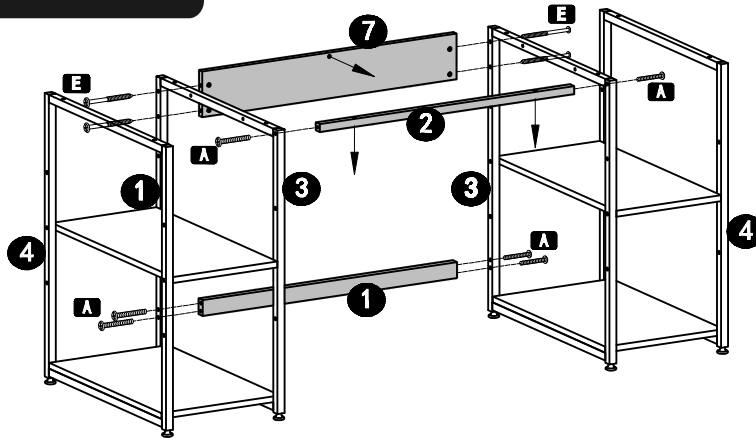


⚠ Attention: The side with 2 thread holes close is outward.

E ST5x50 4 **B** M6x30 4

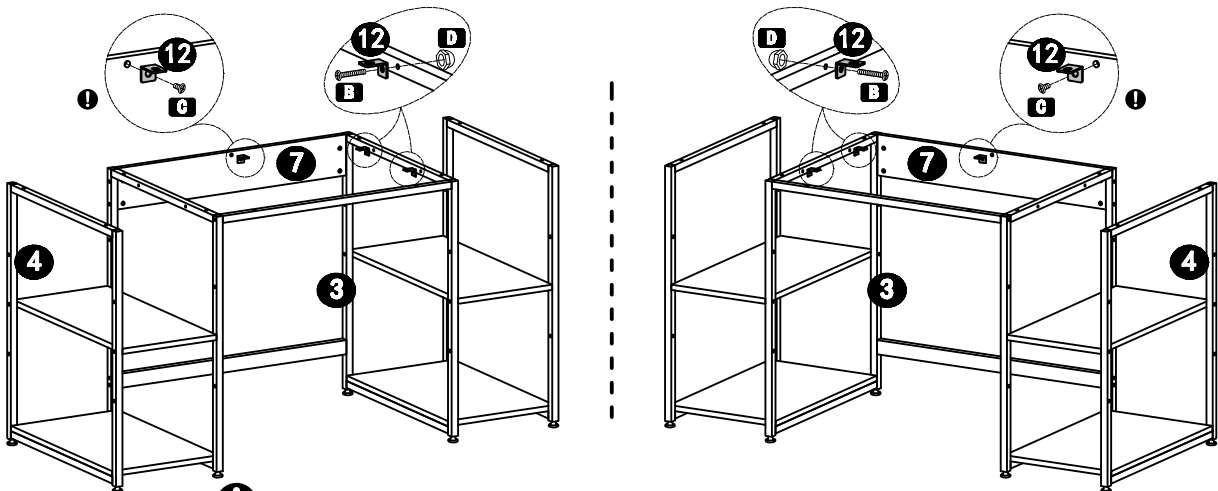
STEP 4

※ Please make sure correct screws are used in different parts. Do not tighten the screws in this step.



A M6x35 6 **E** ST5x50 4

STEP 5

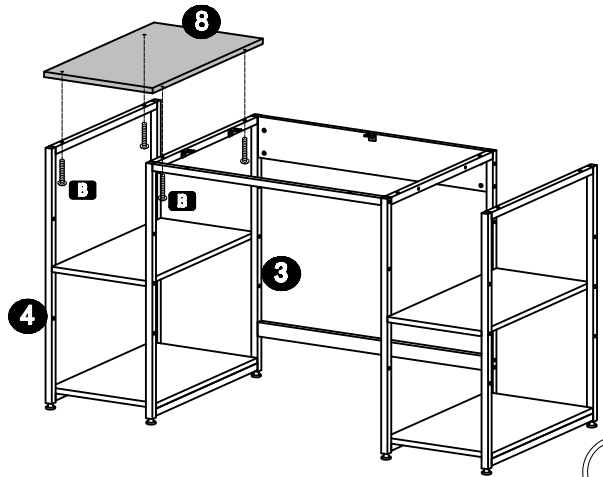
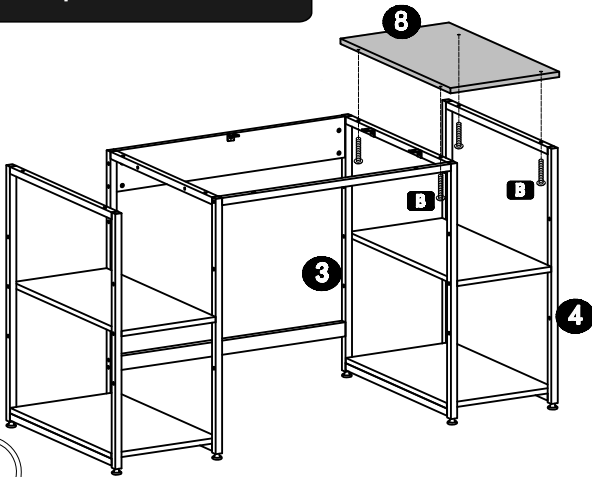


⚠ Attention: Make sure Screws C used to connect the wood board and the corner bracket to avoid damage to the board.

B M6x30 2 **C** M6x12 1 **D** M6 2

STEP 6

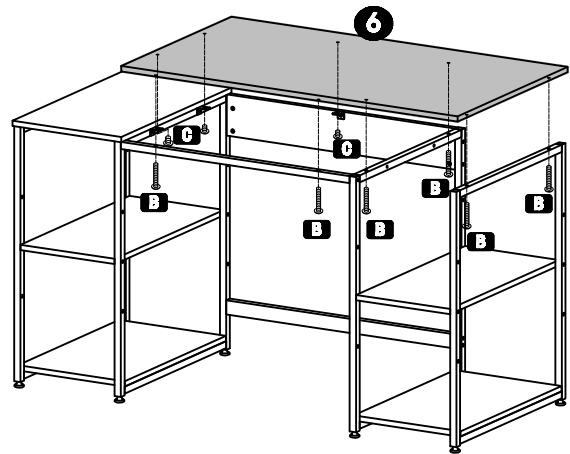
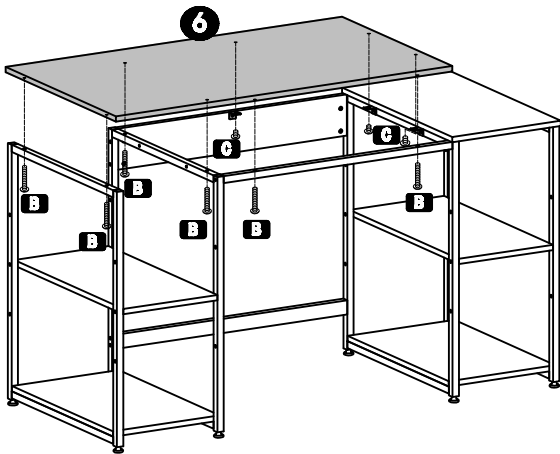
※ Do not tighten the screws in this step



B  M6x30 4

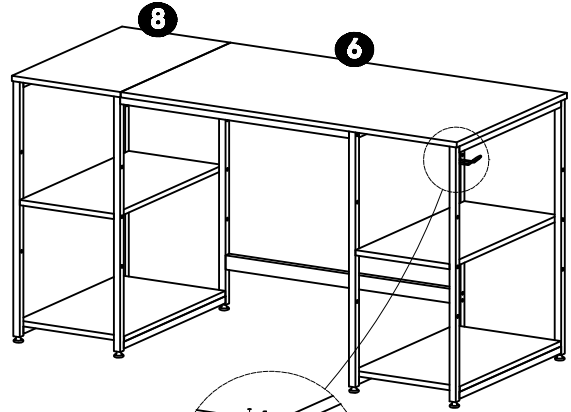
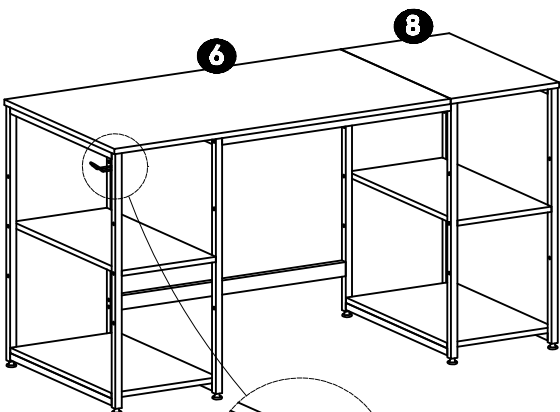
STEP 7

※ Tighten all screws in this step when there is not gap.



B  M6x30 6 **C**  M6x12 3

STEP 8



C  M6x12 2

⚠ Attention: Please make sure screws C used in this step to avoid damage to wood board.