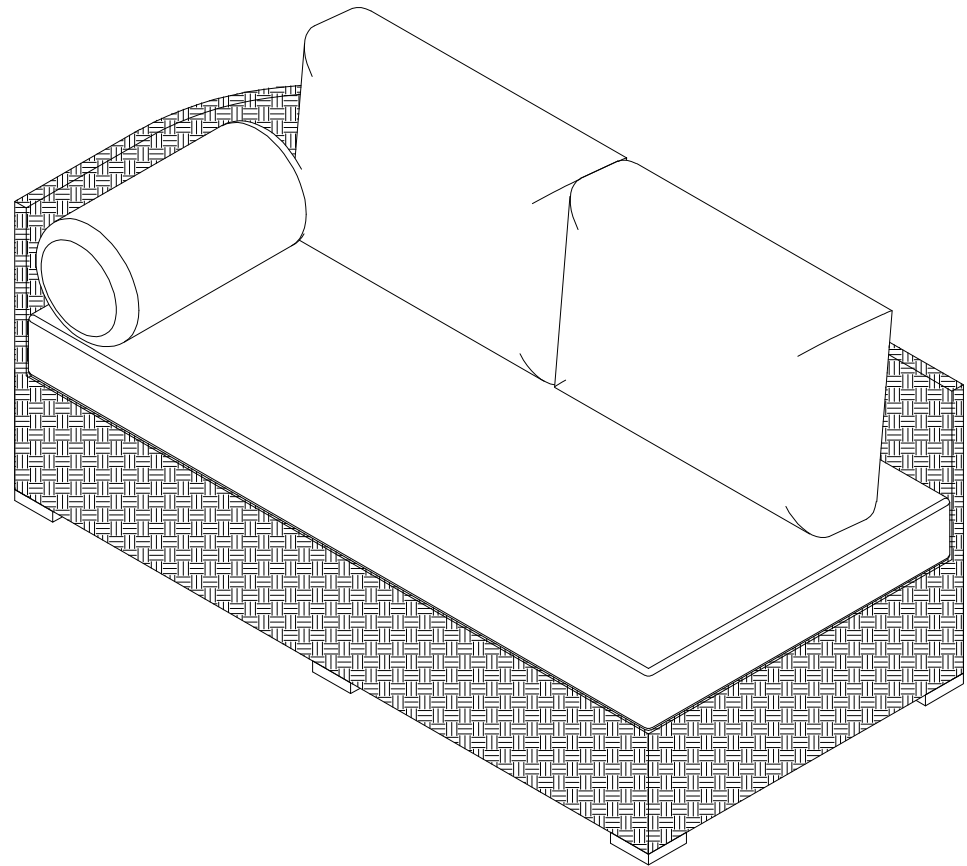


# WICKER OUTDOOR CHAISE SECTIONAL

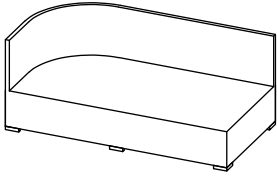
Assembly Instructions



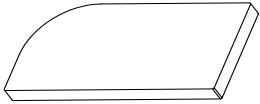
Everything we make is incredibly simple to set up, including your new chaise sectional. You won't need any additional tools.

### Parts List

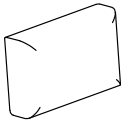
A x1  
LEFT BENCH FRAME



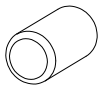
CSH2 x1  
SEAT CUSHION



CSH3 x2  
BACK CUSHION

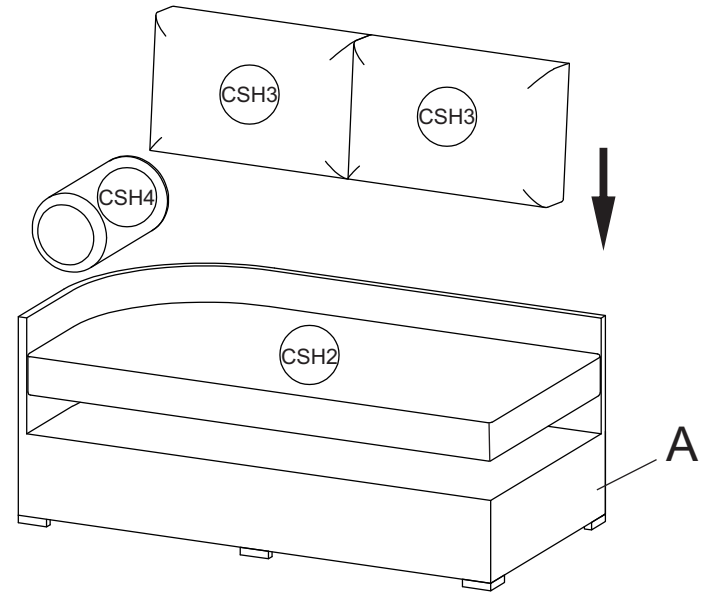


CSH4 x1  
THROW PILLOW



1

Place the Seat Cushion (CSH2) the Back Cushion (CSH3) the Throw Pillow (CSH4) on the bench.



2

Place the bench in the position you will use it.

