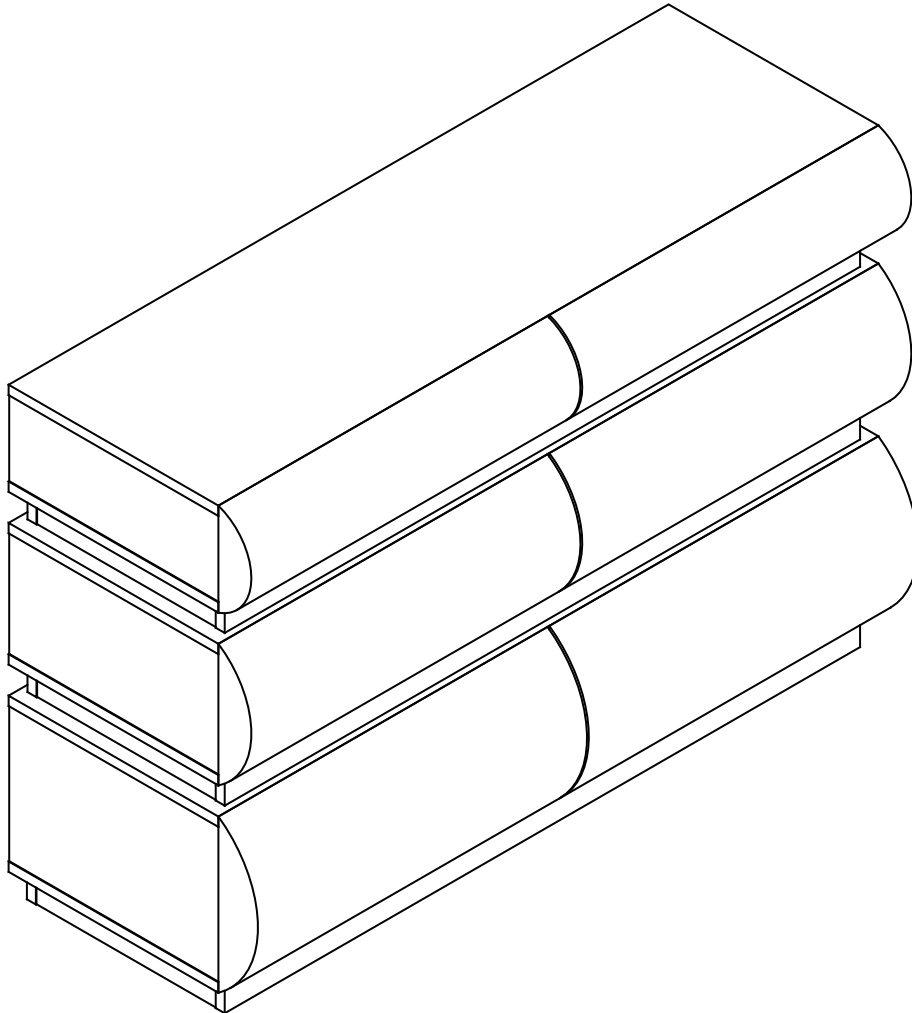


STORAGE CABINET

User Manual



- Thank you for purchasing our product! We hope that the final product will not only be a cabinet but also a great helper for storage in your daily life.
- Please read the manual patiently and follow it step by step to install the product, buliding your daily life helper.
- Life is a continuous process of construction. Not every step of the process goes smoothly, but it always makes the future better. We believe that you can build your own perfect world through your effort and heart.

For a Hassle-Free installation



Assembly Reminder & Preparation Guide

To make the installation process as smooth as possible, we have broken down each step into detail as much as possible so that you can understand the manual more easily. Therefore, the steps and pages of the manual may seem quite numerous. Please read the manual patiently and follow it step by step to install the product.

1. Verify All Packages & Prepare Accordingly

Please make sure you have received all the boxes listed in your order. Take a moment to review the assembly instructions to familiarize yourself with the process. Ensure you have enough people to assist with lifting or handling larger parts, and allow sufficient time to complete the assembly.

2. Create an Appropriate Workspace

Be sure to set aside enough space in your home to assemble the product comfortably. We recommend laying a soft mat or cardboard on the floor to protect both the parts and your flooring from scratches during assembly.

3. Check for Missing Parts

Carefully read through the instructions and confirm that all parts are included. If anything appears to be missing, do not begin assembly.

4. Lay Out All Parts Clearly on a soft surface

Place all hardware and components on a soft surface. This will make it easier to identify each part and prevent any damage.

5. Match Parts to the Instruction Manual

Identify all components based on the labeled letters in the manual. This helps to ensure each piece is placed in the correct position before and during assembly.

6. Follow Instructions Step-by-Step

Assemble the product strictly in the order outlined in the manual. Do not skip any steps, as this may affect the stability and safety of the final product.



Missing or Damaged Parts?

We' ll send replacements for free! Just contact us with your order number and store name _____ we' re happy to help.



WARNING

**Serious injury or death may result from improper assembly or use.
Please follow all safety instructions carefully.**

**1.Keep small parts away from children during assembly.
Choking hazard — not for children under 3 years old.**

**2.Always secure this product to the wall using the provided safety hardware.
Before drilling, check for hidden electrical wires, water lines, or gas pipes.**

**3.Anti-tipping restraints reduce but do not eliminate the risk of tipping.
Regularly inspect and ensure the safety straps are properly attached.**

**4.Do not place heavy items on top unless the product is specifically
designed to support them.**

5.Store heavy items on lower shelves or drawers to maintain stability.

**6.Do not allow children to climb, hang, or play on drawers, doors, or shelves.
This can cause tipping and serious injury.**

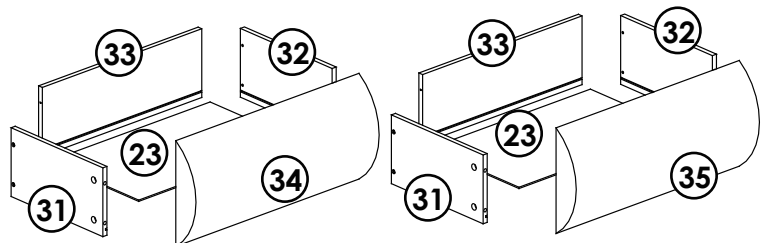
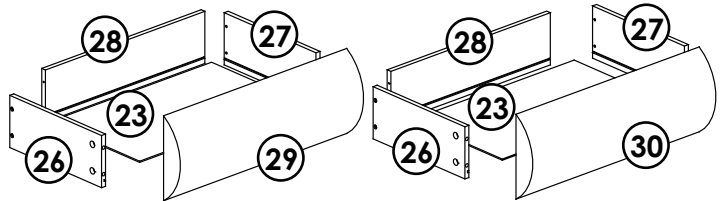
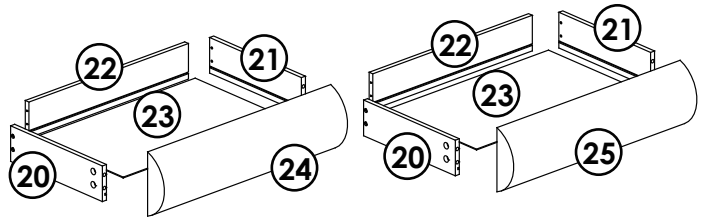
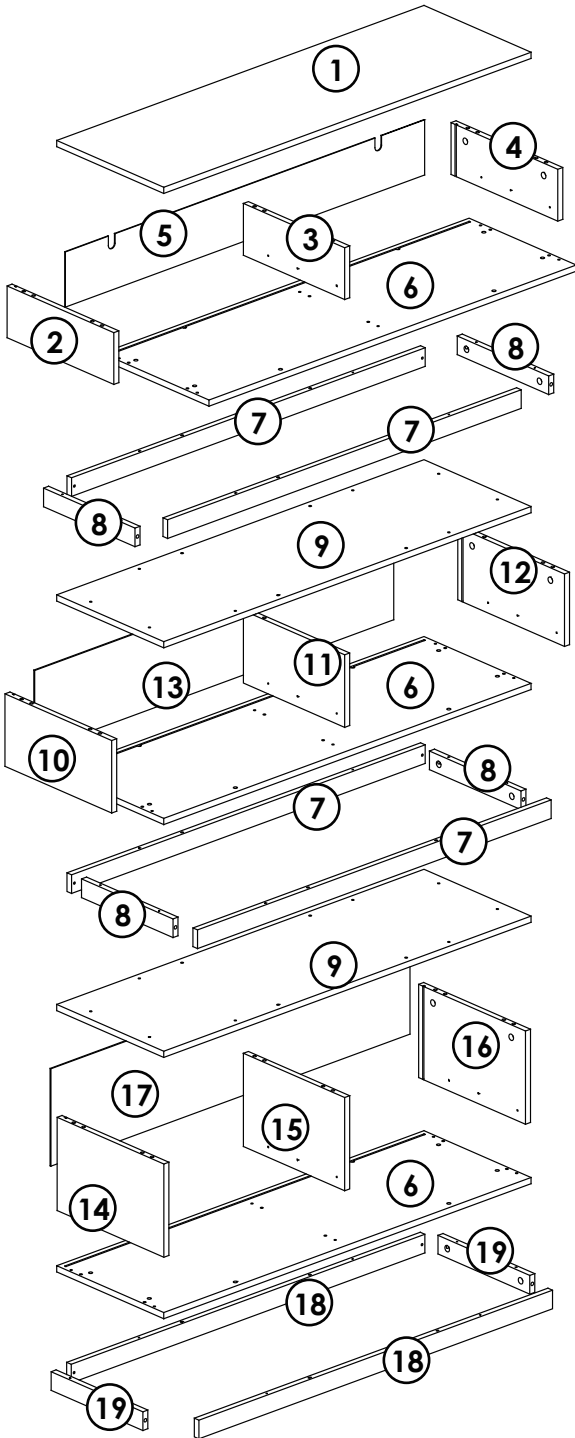
PANEL LAYOUT

Missing or Damaged Parts?

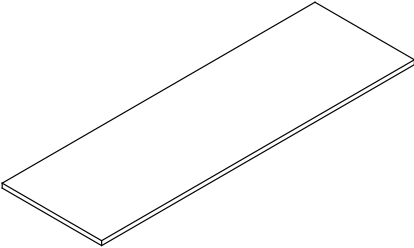
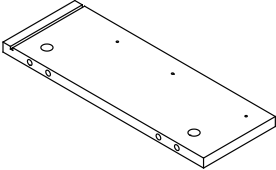
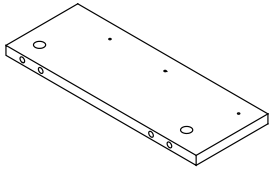
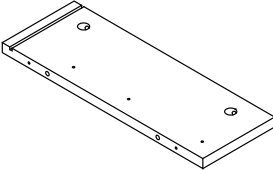
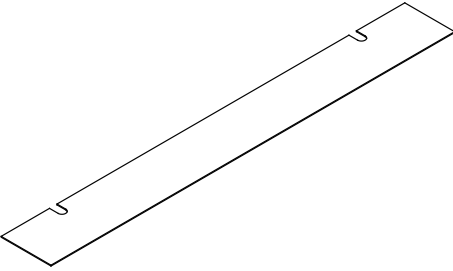
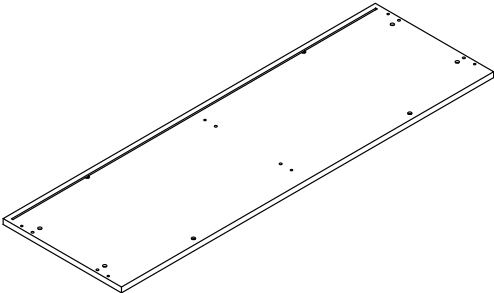
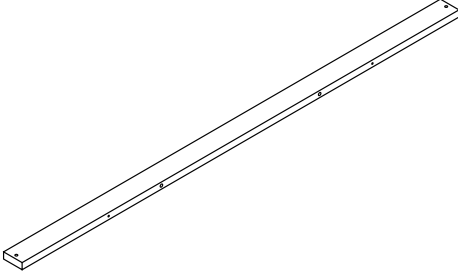
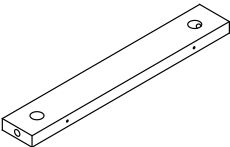
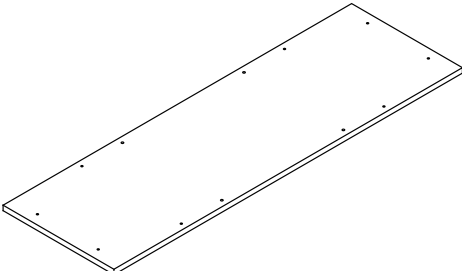
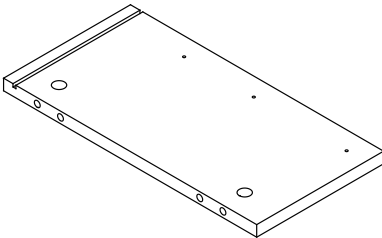
We' ll send replacements for free!

Just contact us with the specifica part number & request quantity.

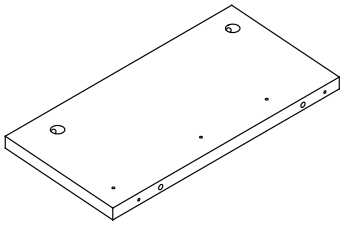
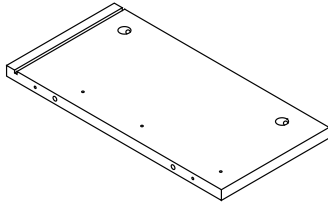
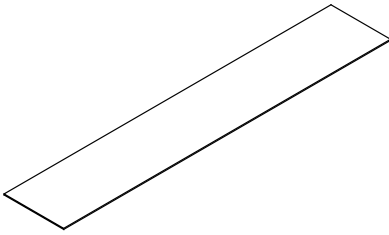
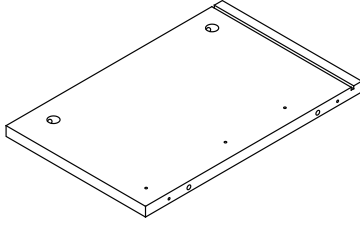
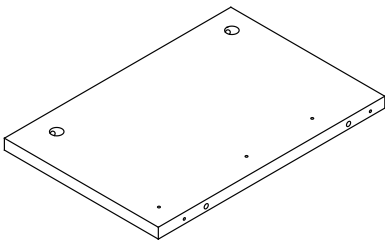
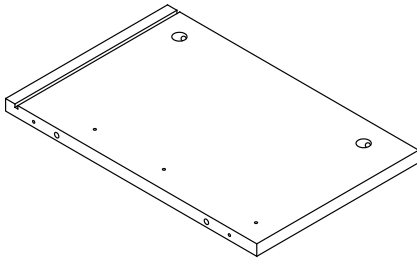
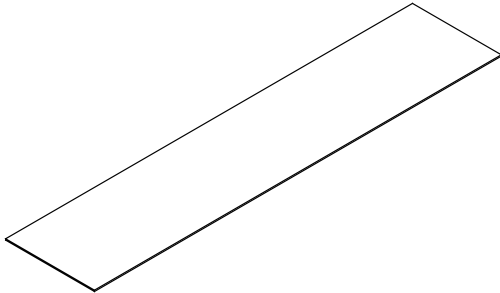
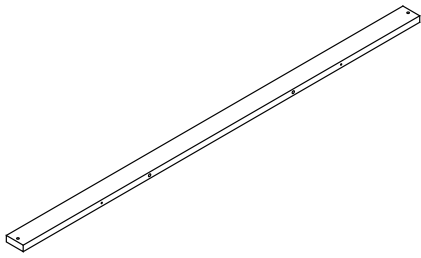
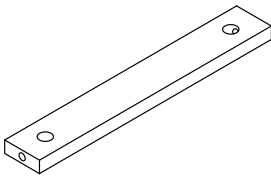
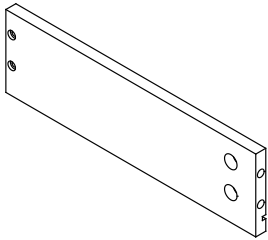
It would be even better if you could send customer servicer the pictures of the damaged parts! — we' re happy to help.



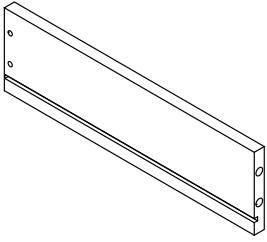
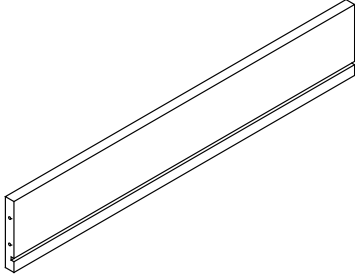
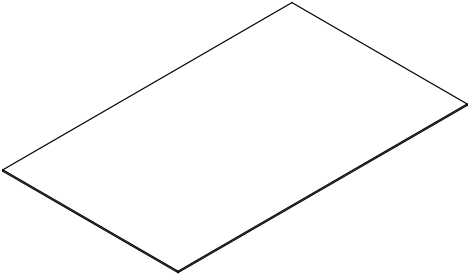
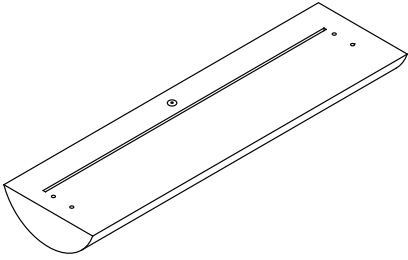
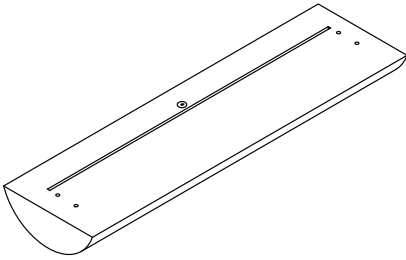
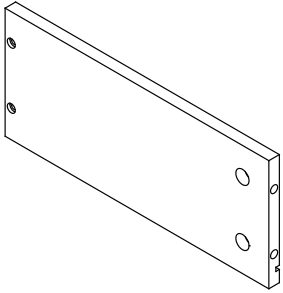
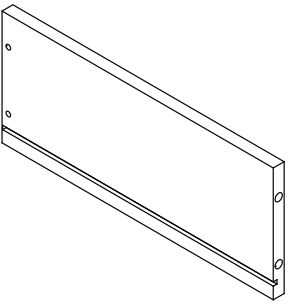
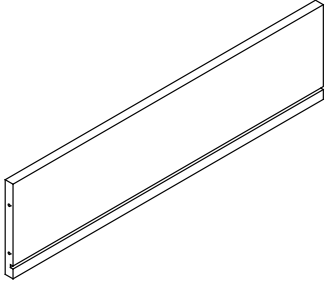
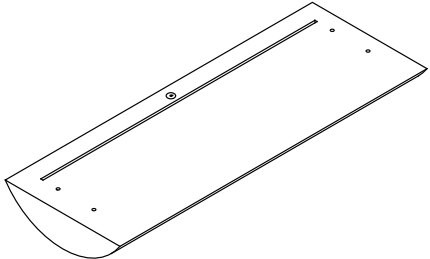
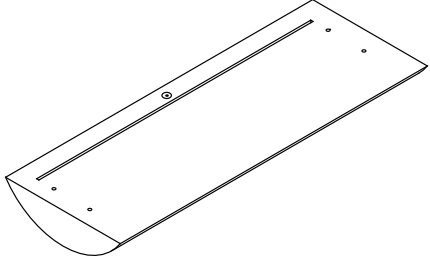
PARTS LIST

<p>1</p>  <p>1100*350*15mm</p> <p>1 pc</p>	<p>2</p>  <p>349*125*15mm</p> <p>1 pc</p>
<p>3</p>  <p>331*125*15mm</p> <p>1 pc</p>	<p>4</p>  <p>349*125*15mm</p> <p>1 pc</p>
<p>5</p>  <p>1077*133*3mm</p> <p>1 pc</p>	<p>6</p>  <p>1100*350*15mm</p> <p>3 pcs</p>
<p>7</p>  <p>1060*45*15mm</p> <p>4 pcs</p>	<p>8</p>  <p>629*80*15mm</p> <p>4 pcs</p>
<p>9</p>  <p>1100*349*15mm</p> <p>2 pcs</p>	<p>10</p>  <p>349*175*15mm</p> <p>1 pc</p>

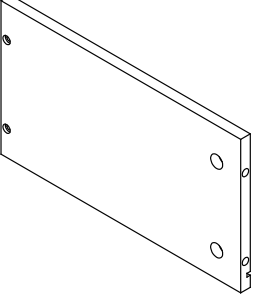
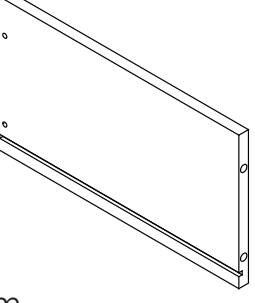
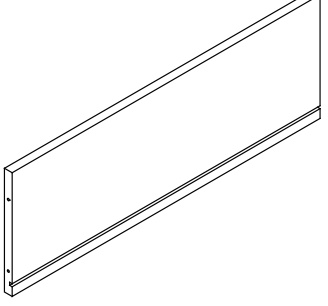
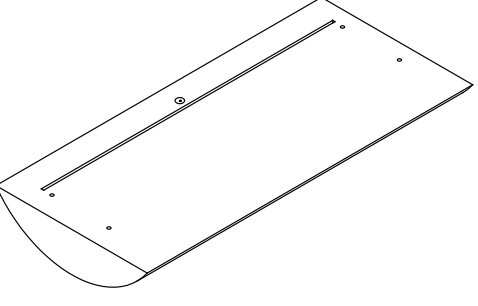
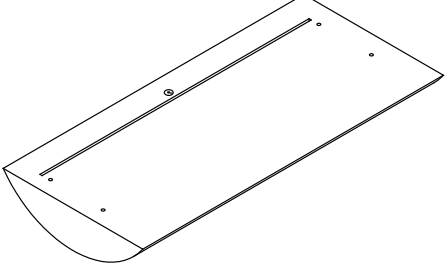
PARTS LIST

<p>11</p>  <p>331*175*15mm</p> <p>1 pc</p>	<p>12</p>  <p>349*176*12mm</p> <p>1 pc</p>
<p>13</p>  <p>1077*183*3mm</p> <p>1 pc</p>	<p>14</p>  <p>349*225*15mm</p> <p>1 pc</p>
<p>15</p>  <p>331*225*15mm</p> <p>1 pc</p>	<p>16</p>  <p>349*225*15mm</p> <p>1 pc</p>
<p>17</p>  <p>1077*233*3mm</p> <p>1 pc</p>	<p>18</p>  <p>1066*45*15mm</p> <p>2 pcs</p>
<p>19</p>  <p>299*45*15mm</p> <p>2 pcs</p>	<p>20</p>  <p>300*86*12mm</p> <p>2 pcs</p>

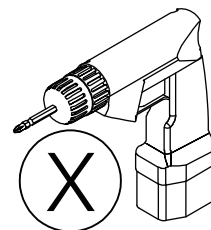
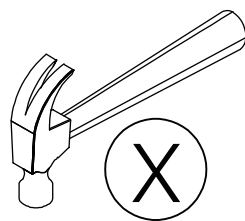
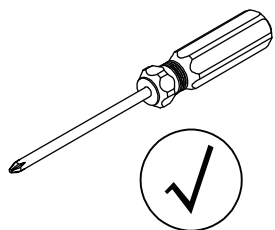
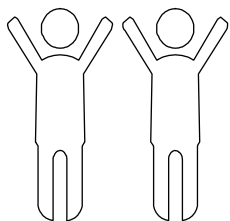
PARTS LIST

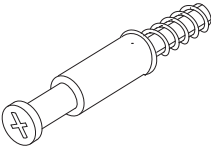

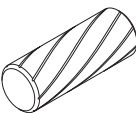
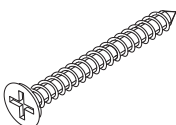
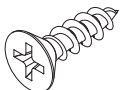

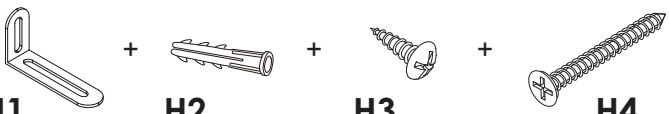
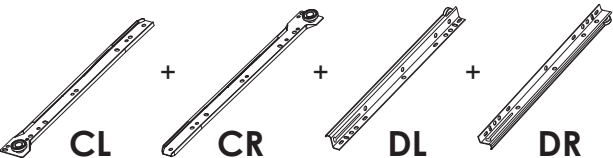
<p>21</p>  <p>300*86*12mm</p> <p>2 pcs</p>	<p>22</p>  <p>478*86*12mm</p> <p>2 pcs</p>
<p>23</p>  <p>486*294*3mm</p> <p>6 pcs</p>	<p>24</p>  <p>549*156*50mm</p> <p>1 pc</p>
<p>25</p>  <p>549*156*50mm</p> <p>1 pc</p>	<p>26</p>  <p>300*126*12mm</p> <p>2 pcs</p>
<p>27</p>  <p>300*126*12mm</p> <p>2 pcs</p>	<p>28</p>  <p>478*126*12mm</p> <p>2 pcs</p>
<p>29</p>  <p>549*206*50mm</p> <p>1 pc</p>	<p>30</p>  <p>549*206*50mm</p> <p>1 pc</p>

PARTS LIST

<p>31</p>  <p>300*166*12mm</p> <p>2 pcs</p>	<p>32</p>  <p>300*166*12mm</p> <p>2 pcs</p>
<p>33</p>  <p>478*166*12mm</p> <p>2 pcs</p>	<p>34</p>  <p>549*256*50mm</p> <p>1 pc</p>
<p>35</p>  <p>549*256*50mm</p> <p>1 pc</p>	

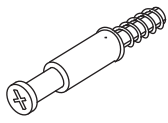
HARDWARE LIST



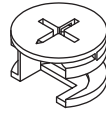
<p>A</p>  <p>Ø6*35mm 54 pcs</p>	<p>B</p>  <p>Ø15*10mm 54 pcs</p>	<p>C</p>  <p>Ø6*30mm 56 pcs</p>	<p>D</p>  <p>Ø4*35mm 82 pcs</p>
<p>E</p>  <p>Ø3*14mm 84 pcs</p>	<p>G</p>  <p>Ø3*16mm 12 pcs</p>		
<p>H</p> <p>73*25mm 30*8mm Ø4*14mm Ø4*35mm</p>  <p>H1 H2 H3 H4</p> <p>2 pcs</p>			
<p>I</p>  <p>CL CR DL DR</p> <p>300mm 6 pcs</p>			

ASSEMBLY STEPS

CAM BOLT INSTALLATION AS BELOW:



Cam bolt



Connecting piece

<p>Pin Panel X No gap ✓</p>	<p>Rotate connecting piece if found in the position illustrated above. X Correct orientation to receive bolts. ✓</p>
-------------------------------------	--

A1.

A2.

A3.

A4.



CL

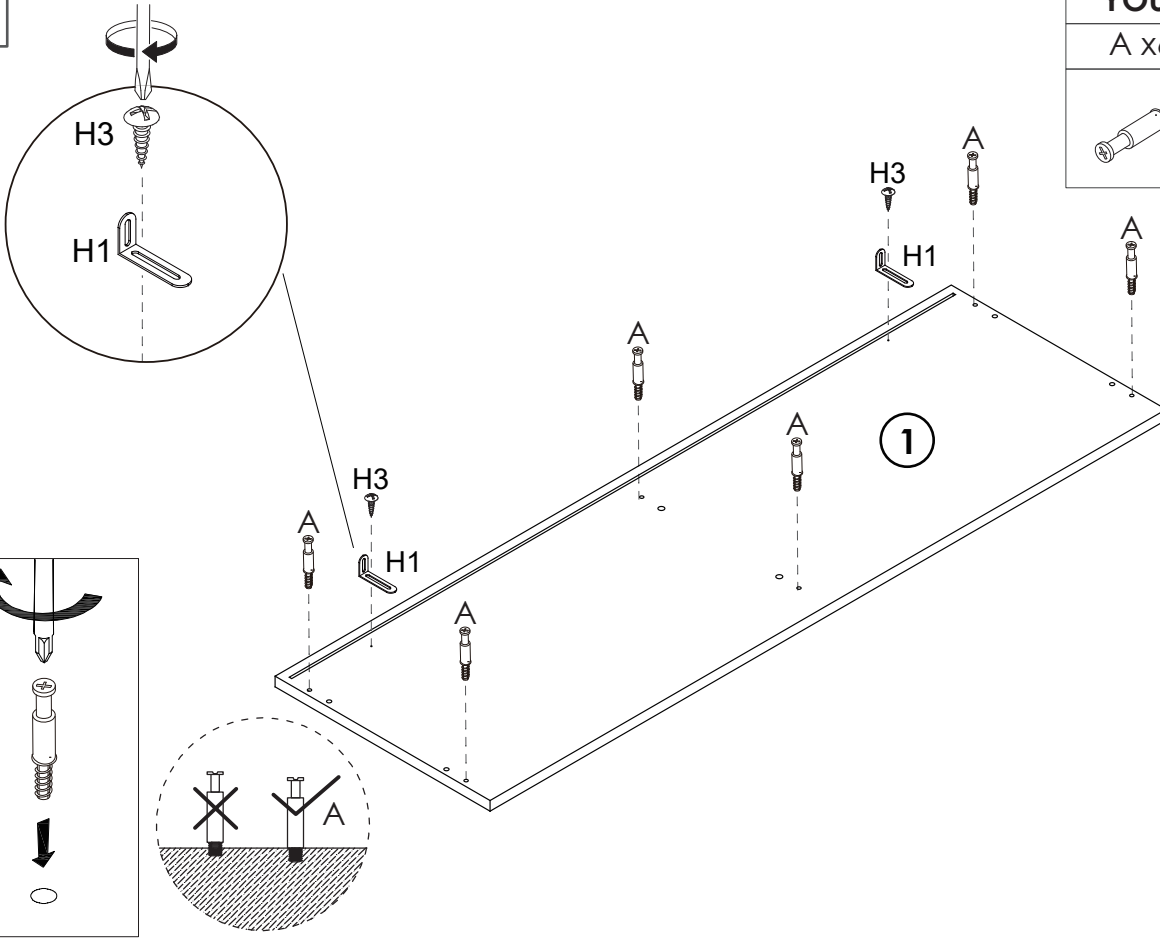
CR

DR

DL

C: For Cabinet
D: For Drawer
R: For Right
L: For Left

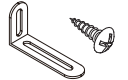
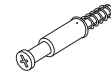
1



YOU WILL NEED

A x6

H x2



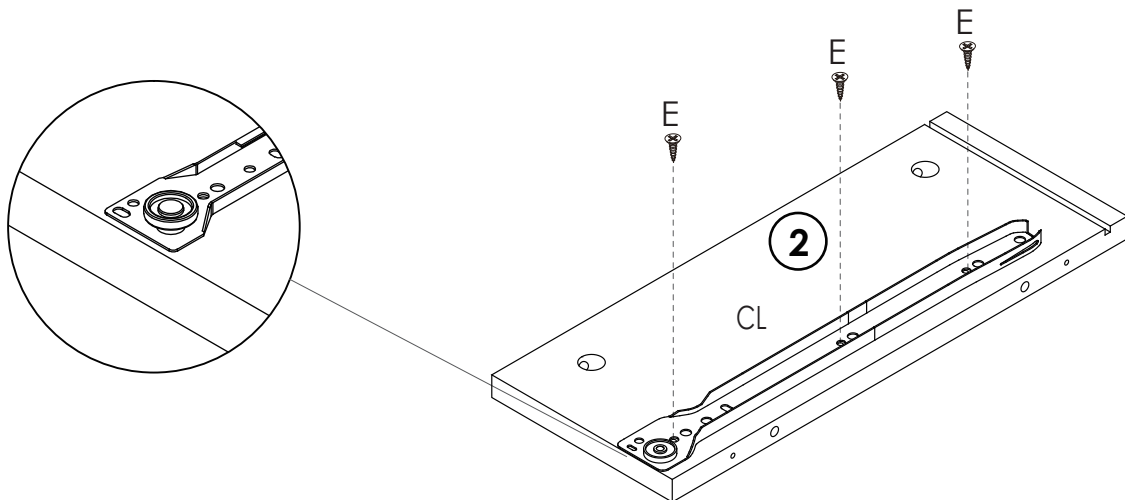
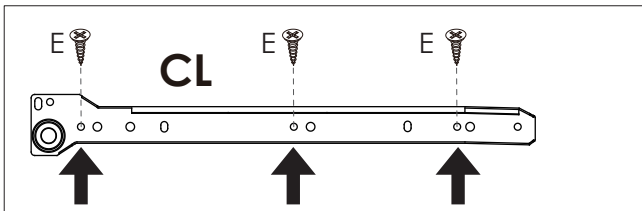
2

Lock the slides onto the plate according to the holes shown in the illustration.

YOU WILL NEED

E x3

I



3

Lock the slides onto the plate according to the holes shown in the illustration.

YOU WILL NEED

E x6

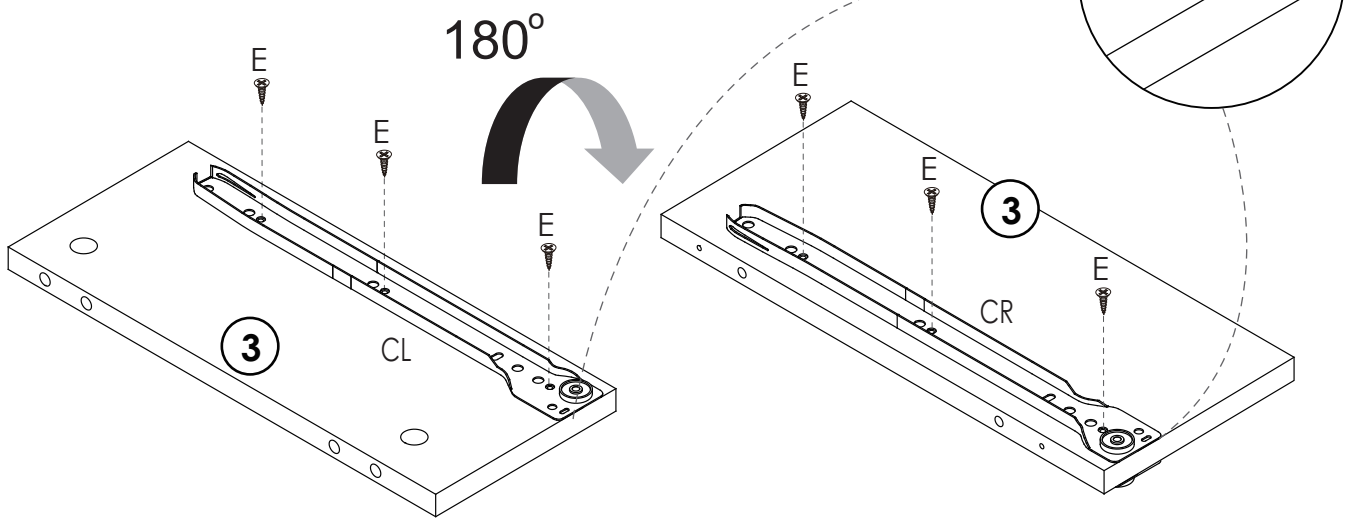
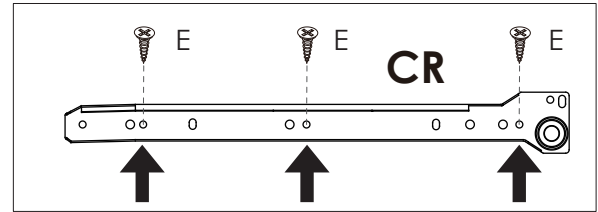
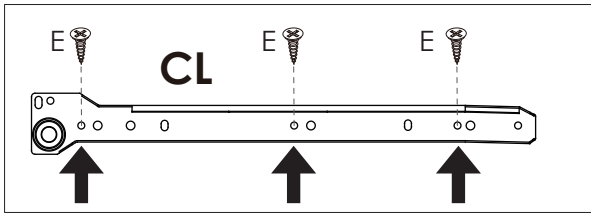
I



CL x1



CR x1



4

Lock the slides onto the plate according to the holes shown in the illustration.

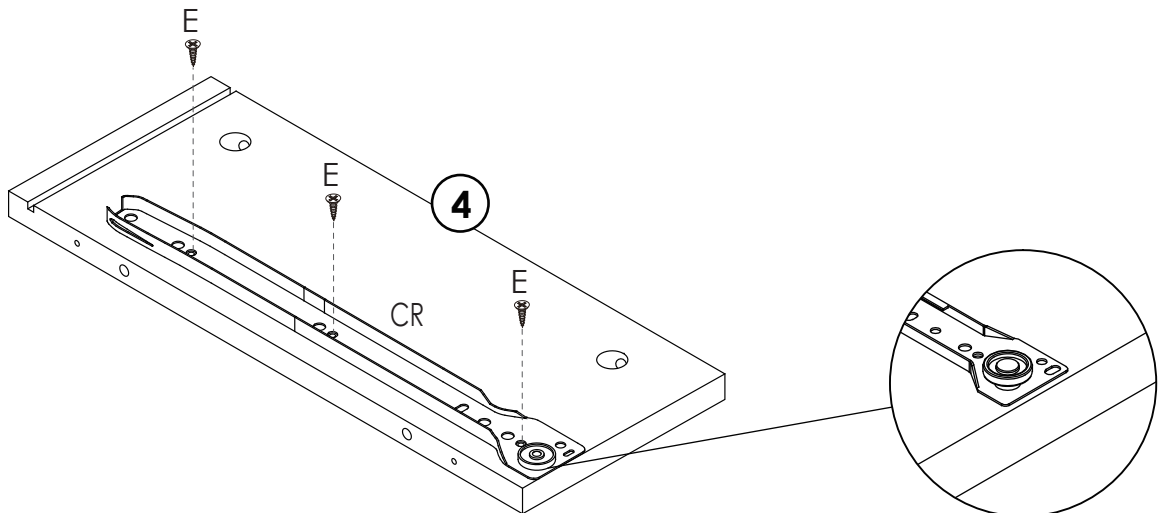
YOU WILL NEED

E x3

I



CR x1

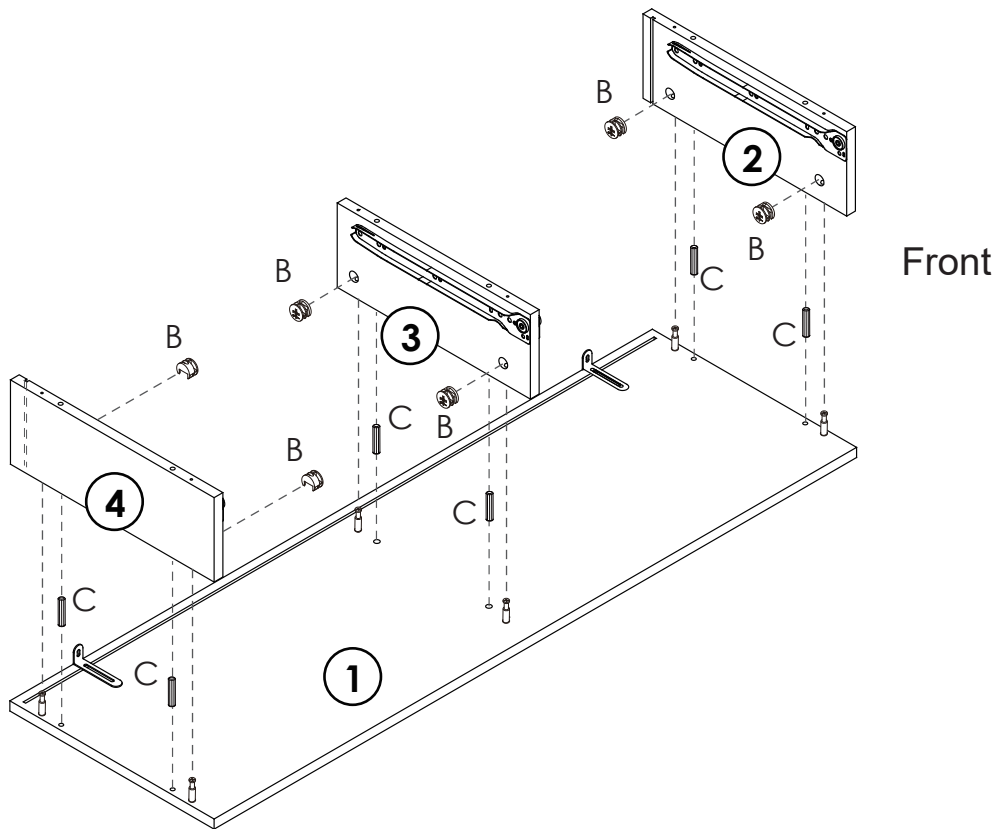


5

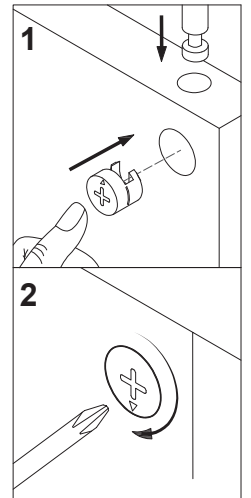
YOU WILL NEED

B x6

C x6

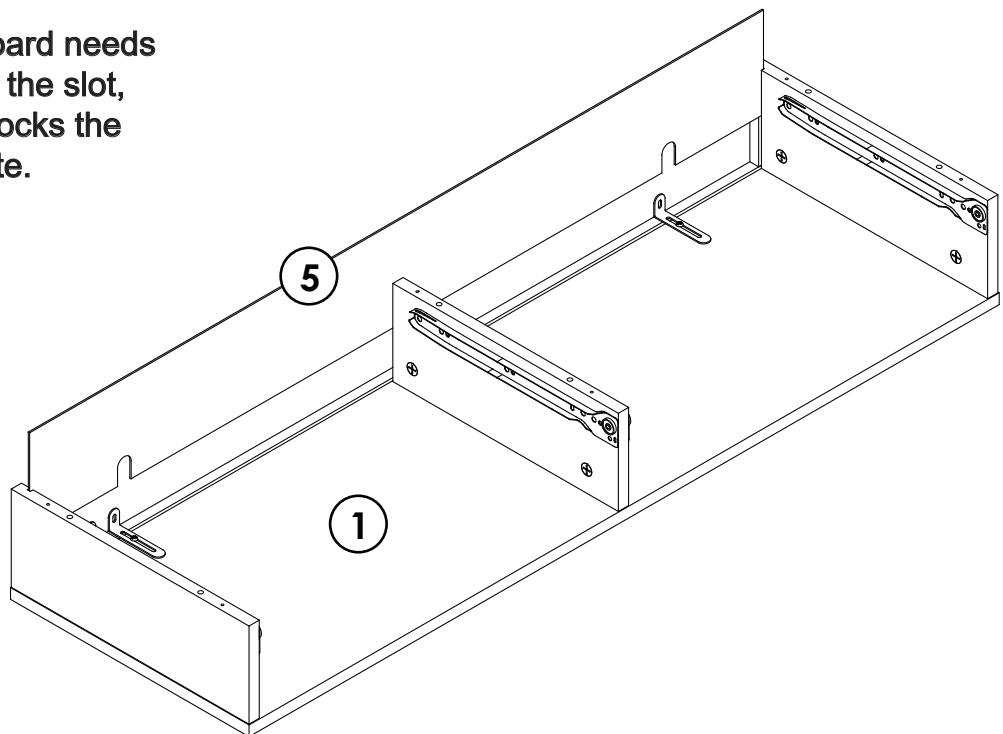
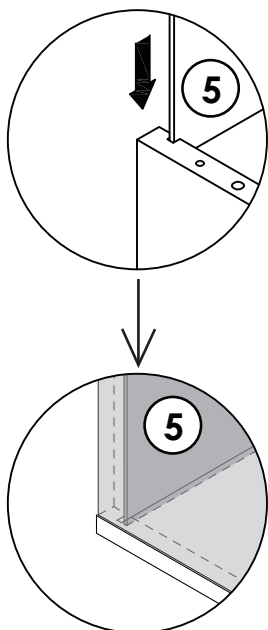


The orientation of the wheels

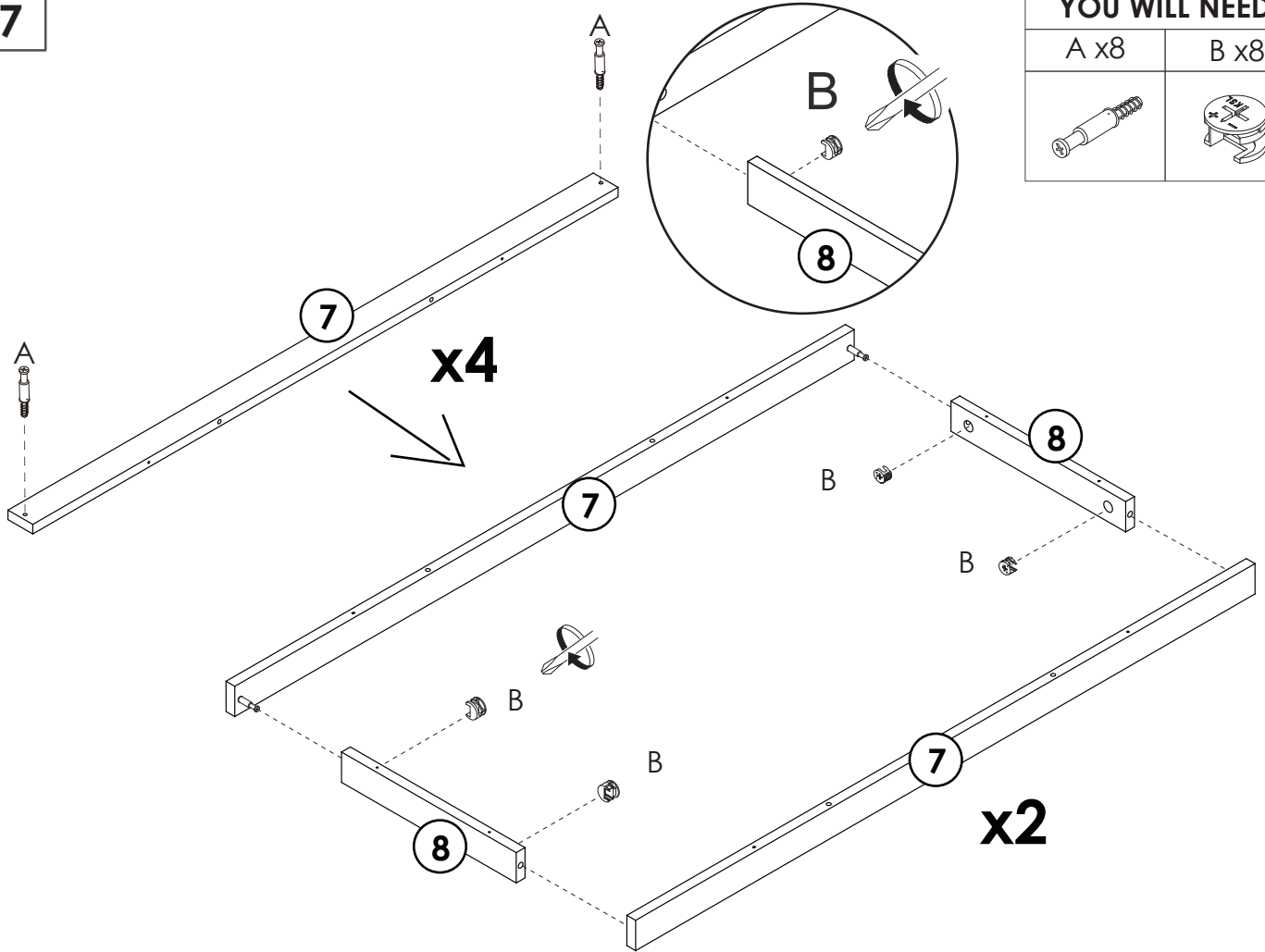


6

Thin back board needs to be inside the slot, otherwise blocks the opposite plate.



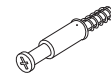
7



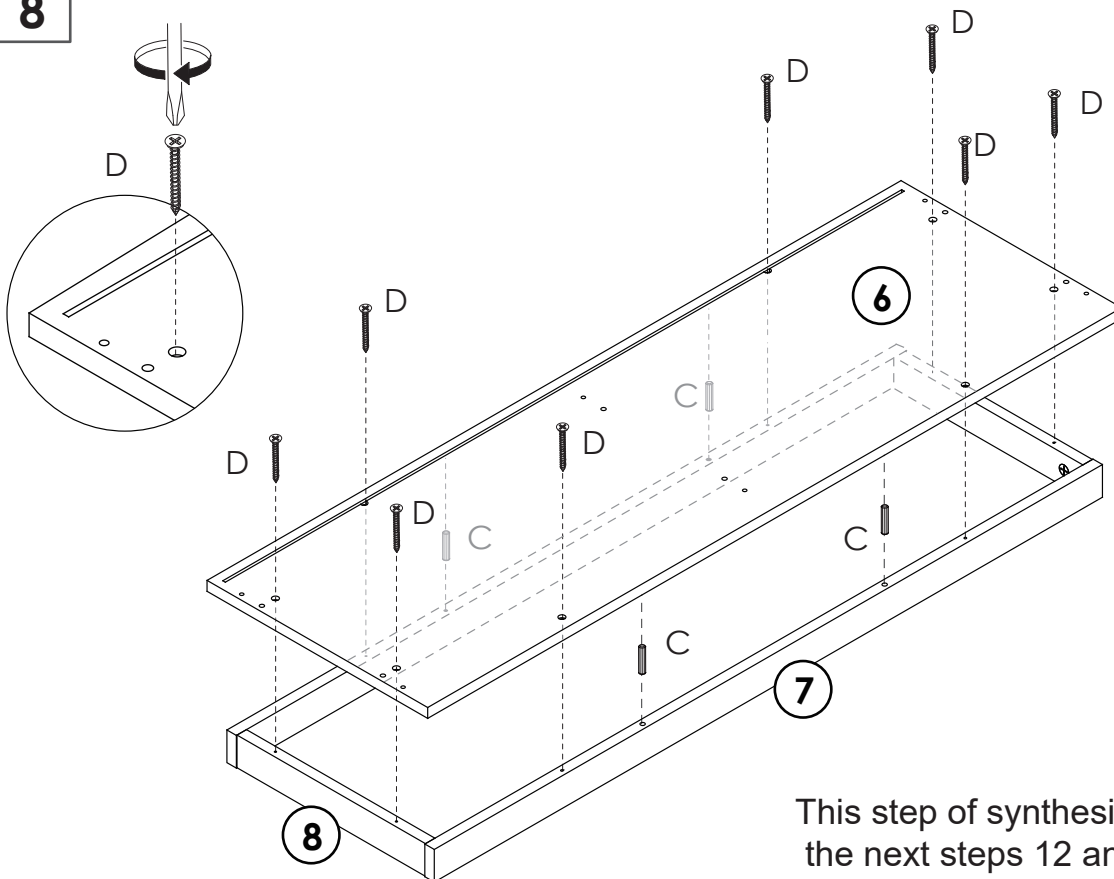
YOU WILL NEED

A x8

B x8



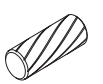
8



YOU WILL NEED

D x16

C x8



x2

This step of synthesis is to prepare for the next steps 12 and 17.

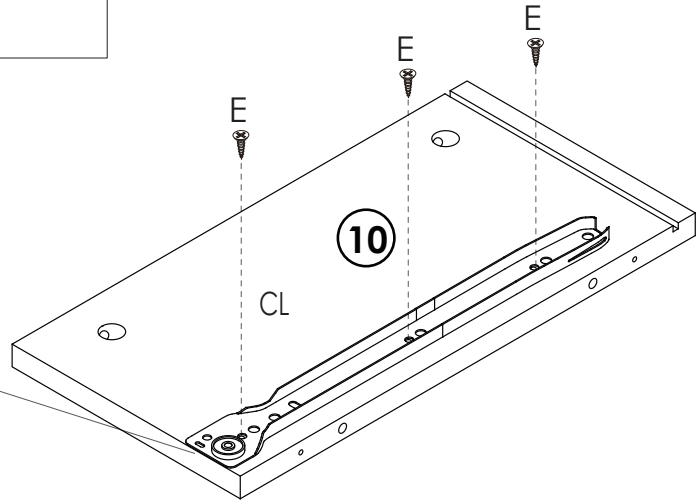
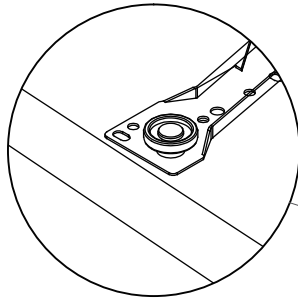
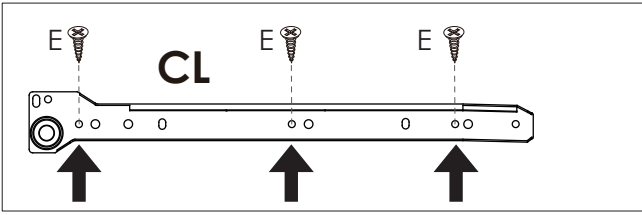
9

Lock the slides onto the plate according to the holes shown in the illustration.

YOU WILL NEED

E x3

I



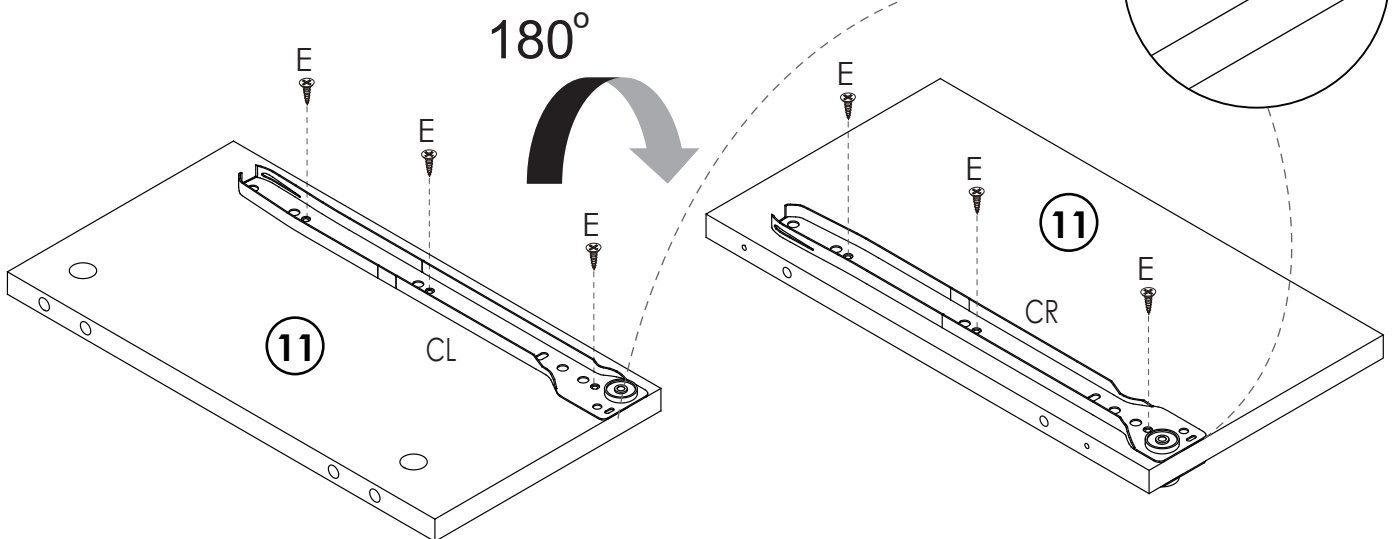
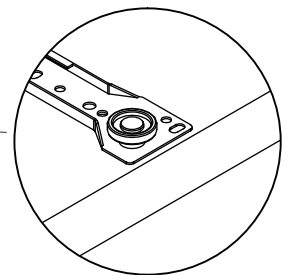
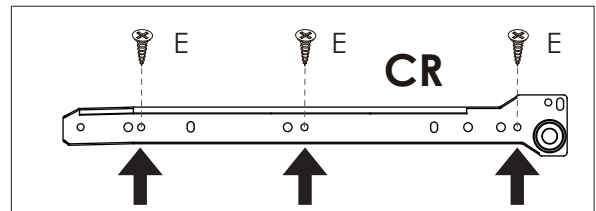
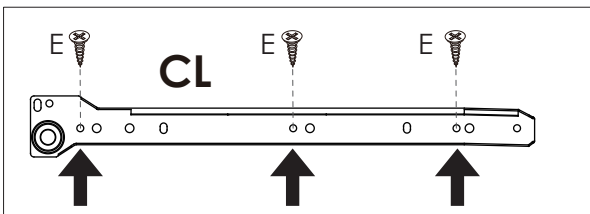
10

Lock the slides onto the plate according to the holes shown in the illustration.

YOU WILL NEED

E x6

I



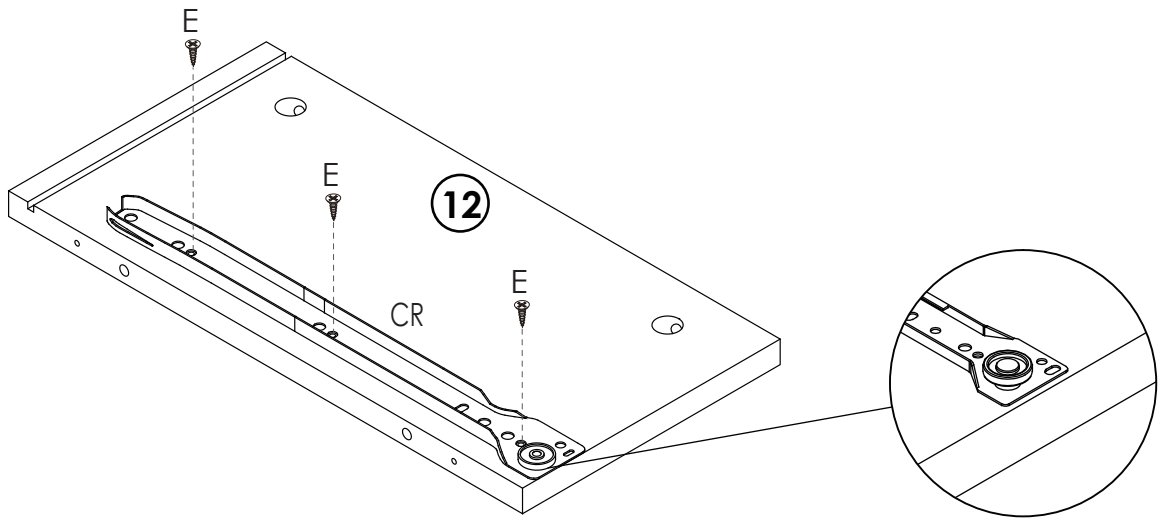
11

Lock the slides onto the plate according to the holes shown in the illustration.

YOU WILL NEED

E x3

I

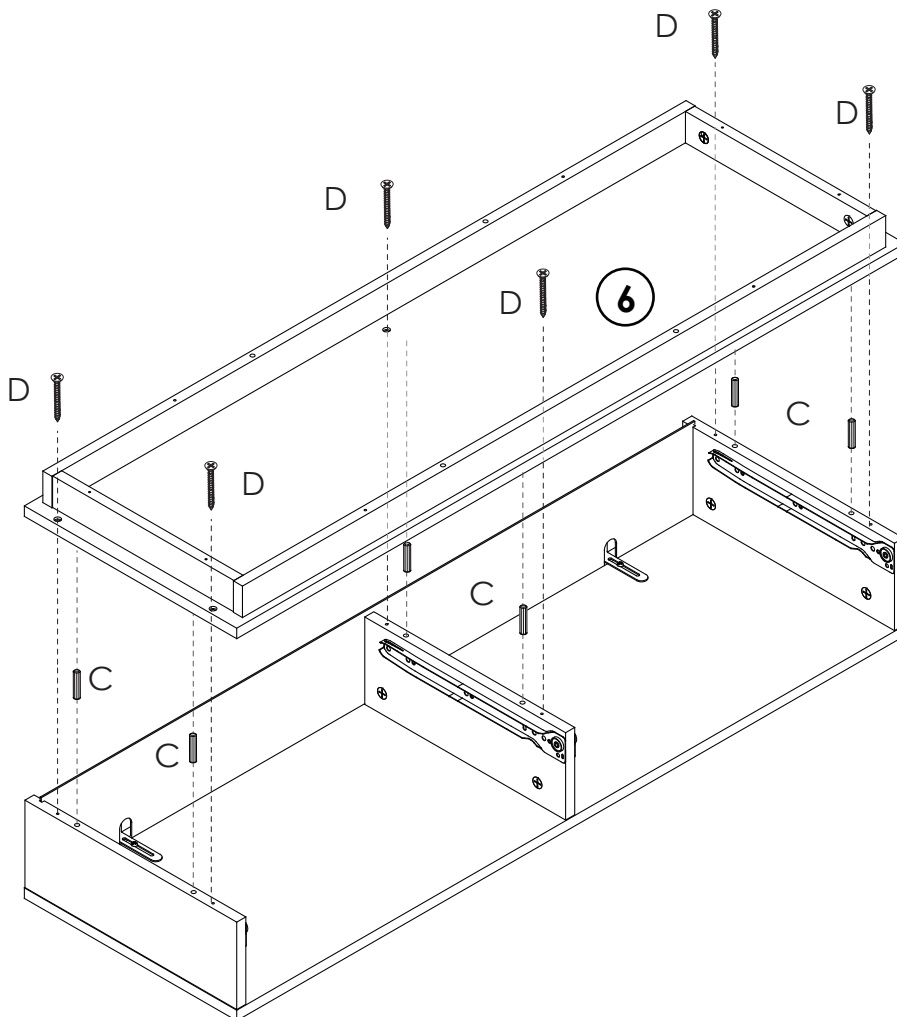
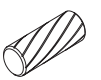


12

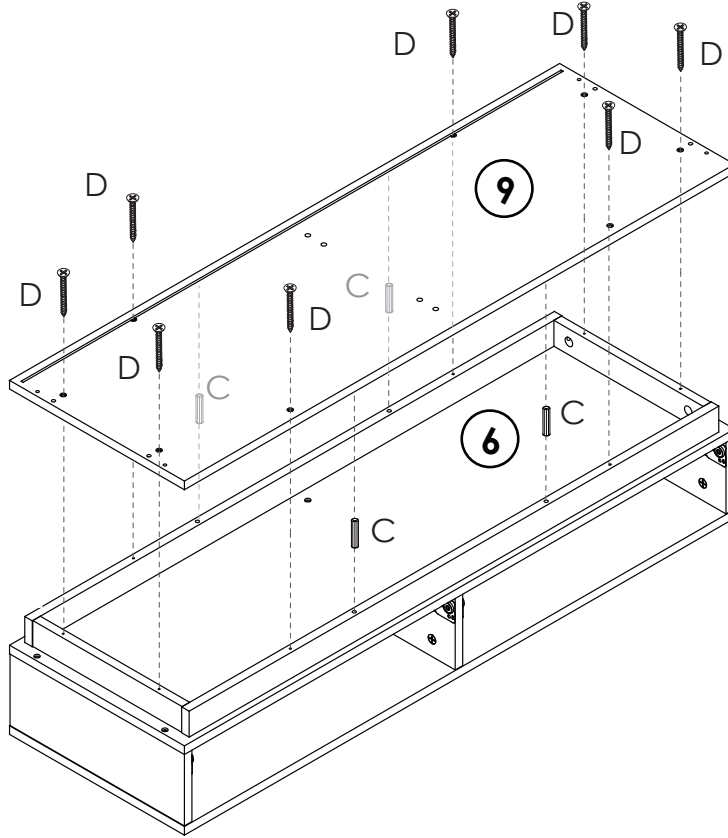
YOU WILL NEED

D x6

C x6



13



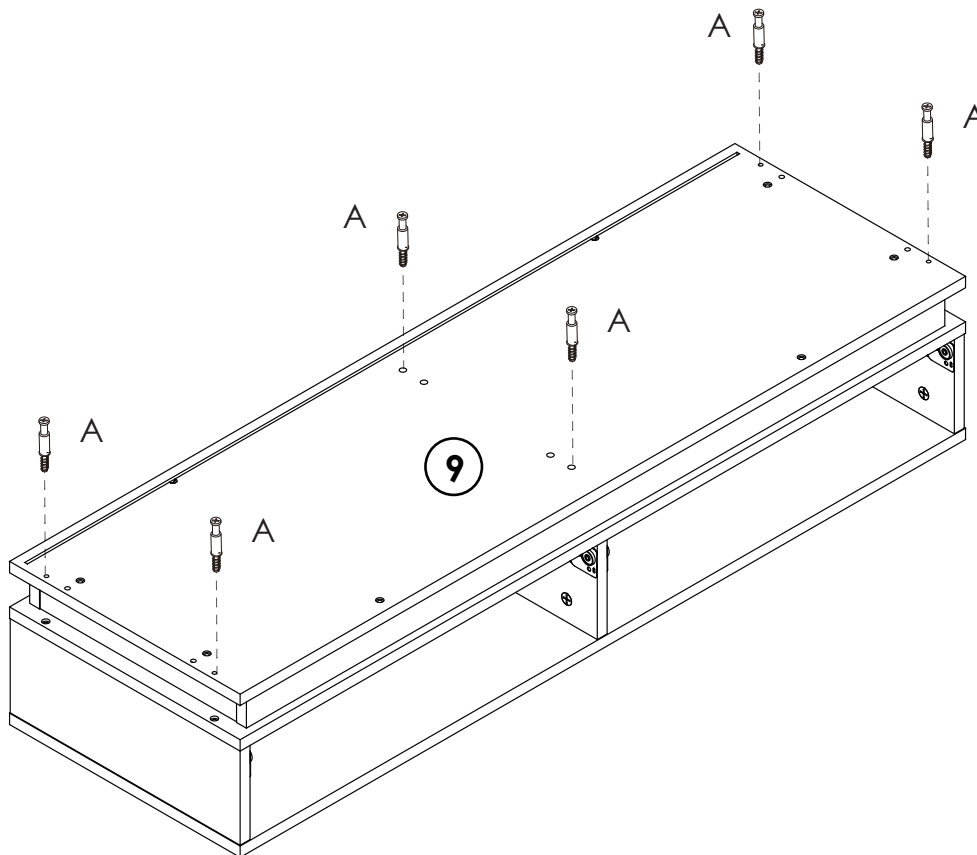
YOU WILL NEED

D x8

C x4

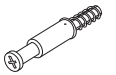


14

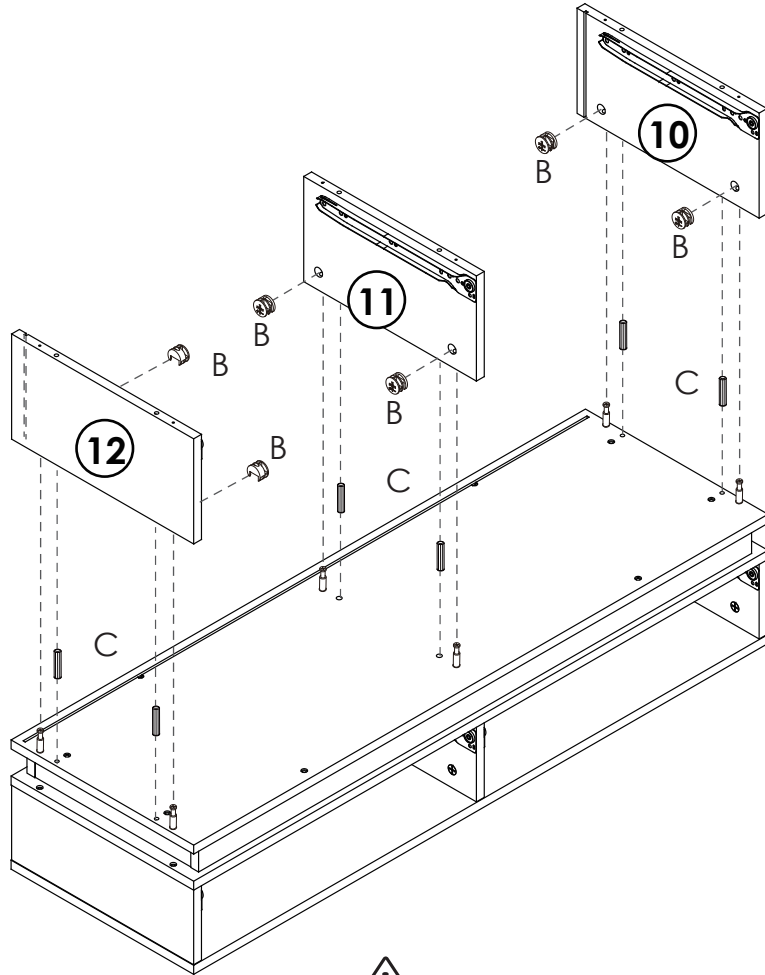


YOU WILL NEED

A x6



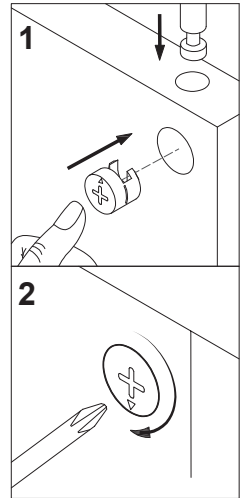
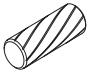
15



YOU WILL NEED

B x6

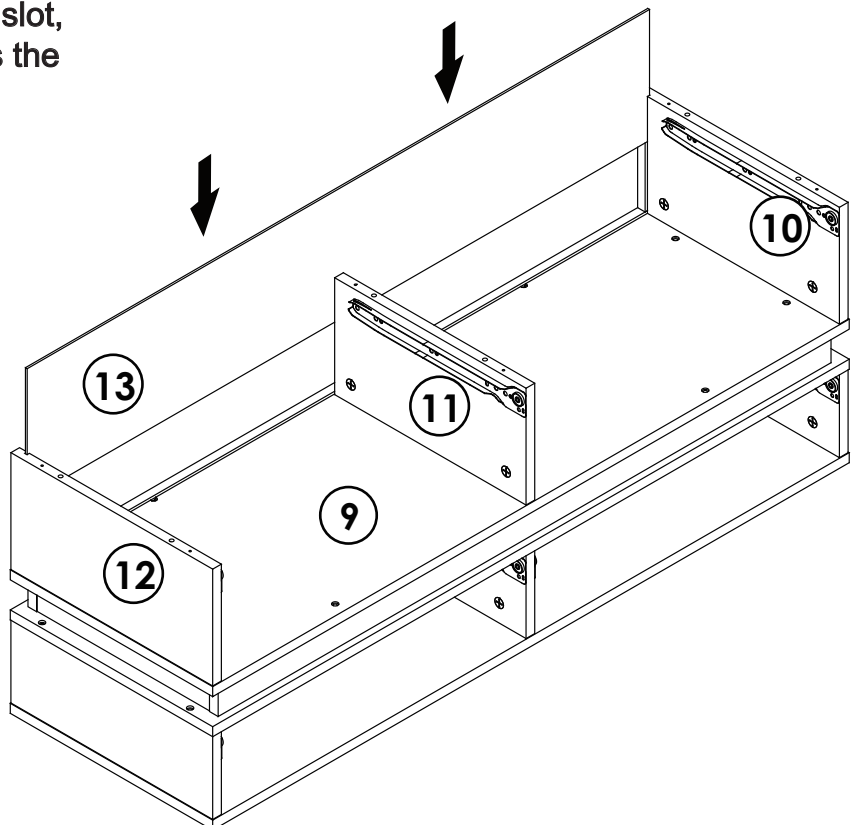
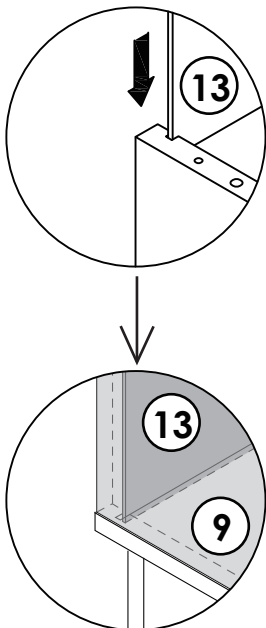
C x6



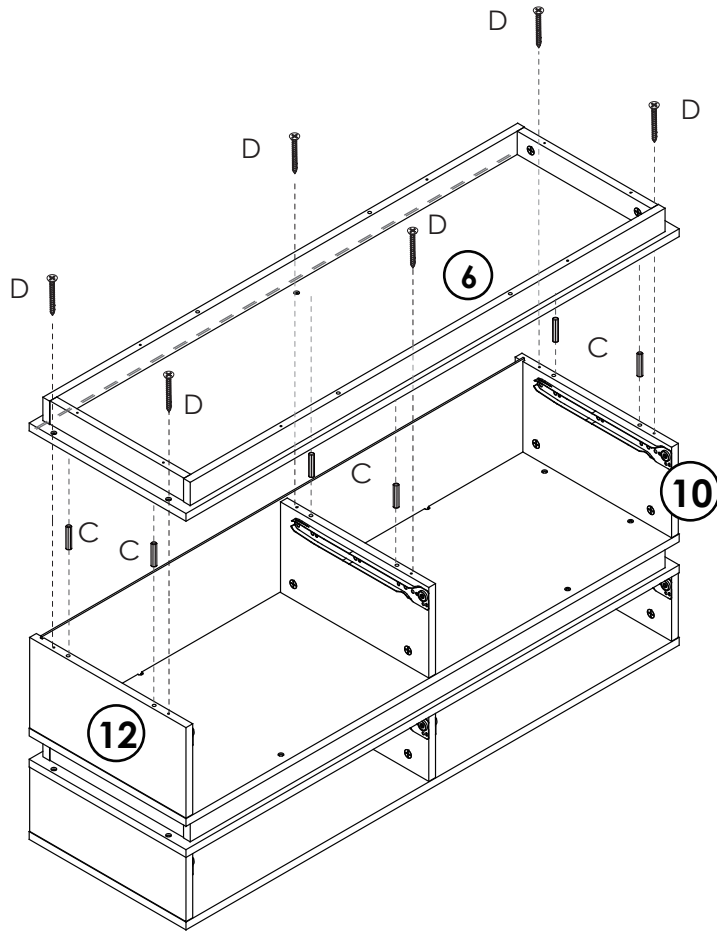
The orientation of the wheels

16

Thin back board needs to be inside the slot, otherwise blocks the opposite plate.



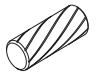
17



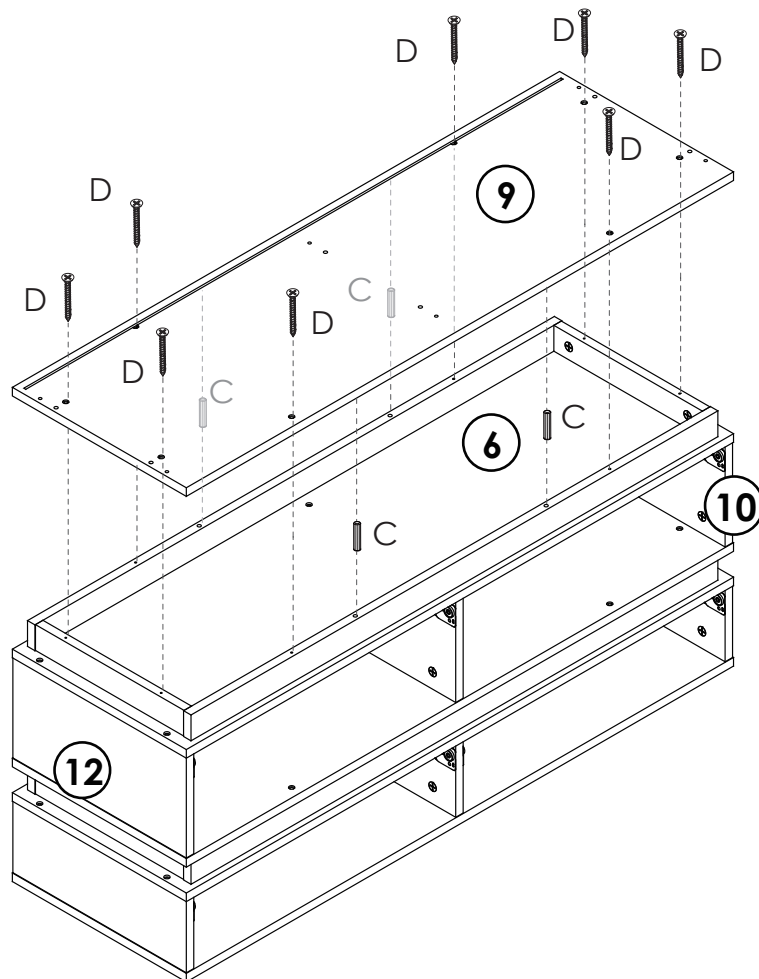
YOU WILL NEED

D x6

C x6



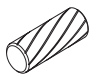
18



YOU WILL NEED

D x8

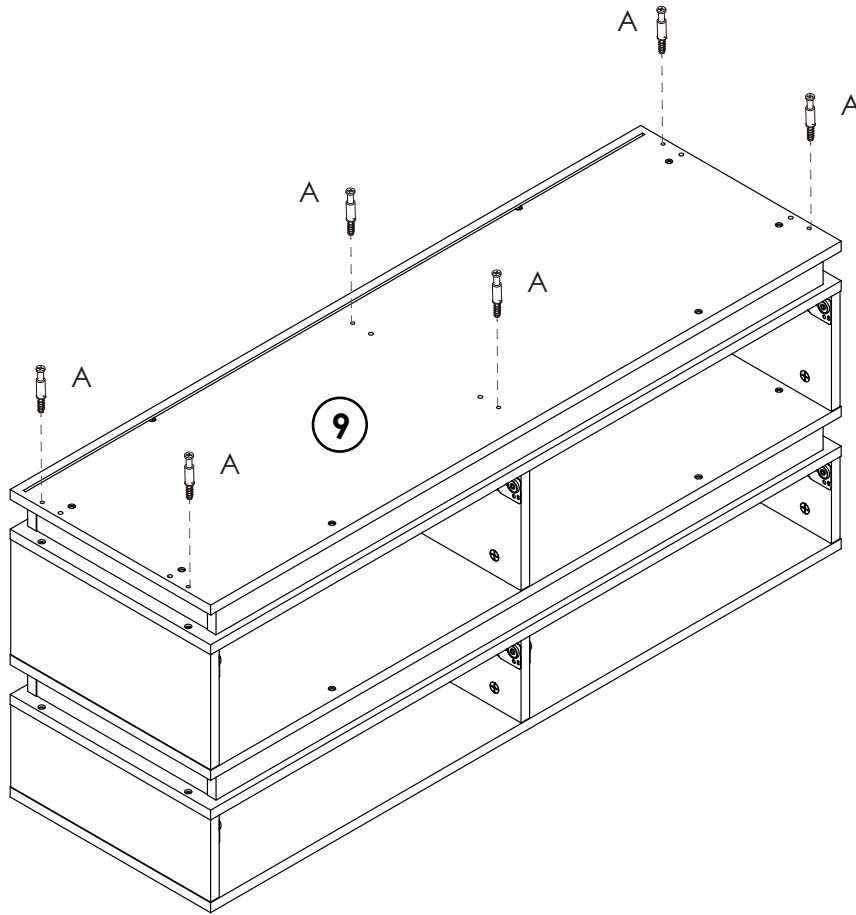
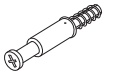
C x4



19

YOU WILL NEED

A x6



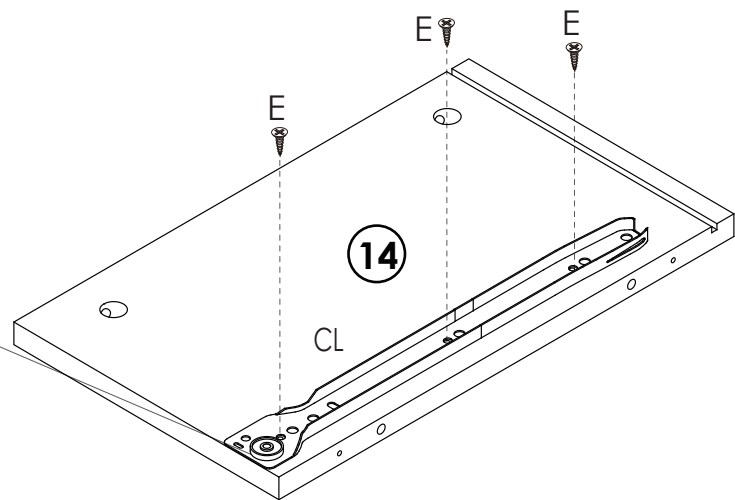
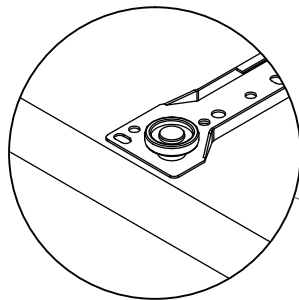
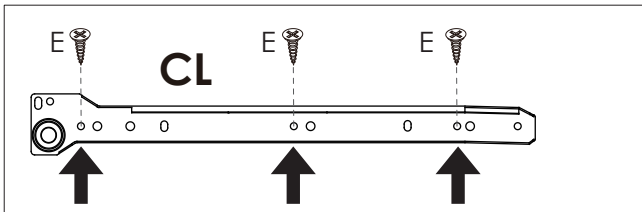
20

Lock the slides onto the plate according to the holes shown in the illustration.

YOU WILL NEED

E x3

I



21

Lock the slides onto the plate according to the holes shown in the illustration.

YOU WILL NEED

E x6

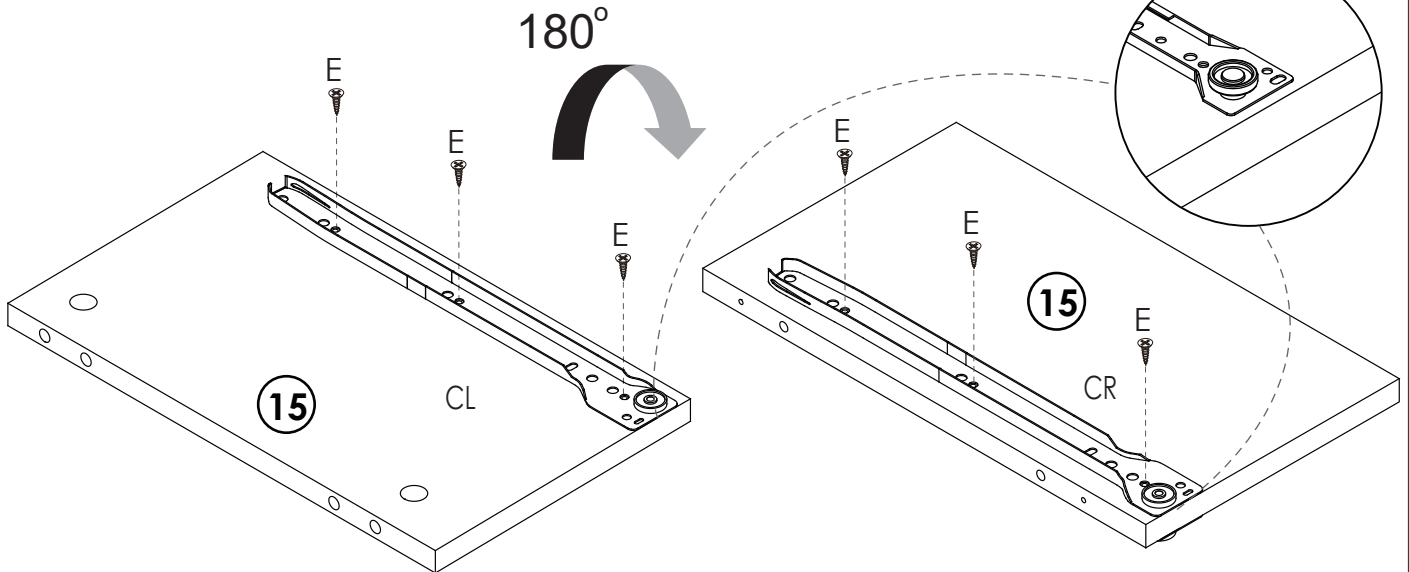
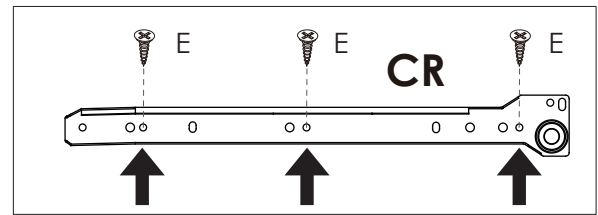
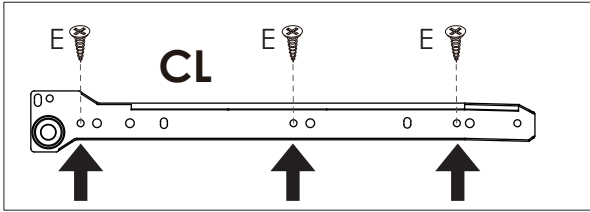
I



CL x1



CR x1



22

Lock the slides onto the plate according to the holes shown in the illustration.

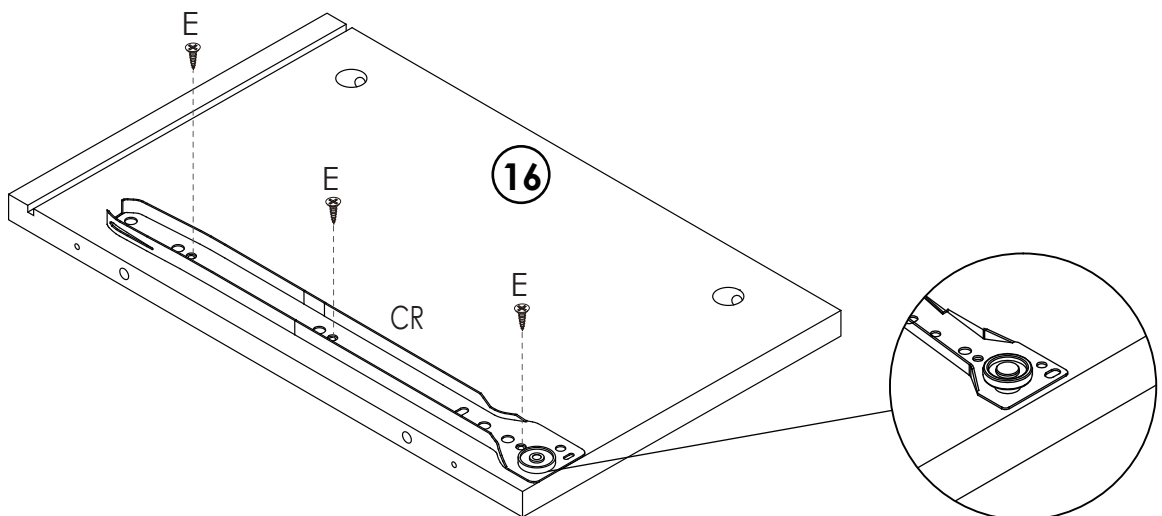
YOU WILL NEED

E x3

I



CR x1

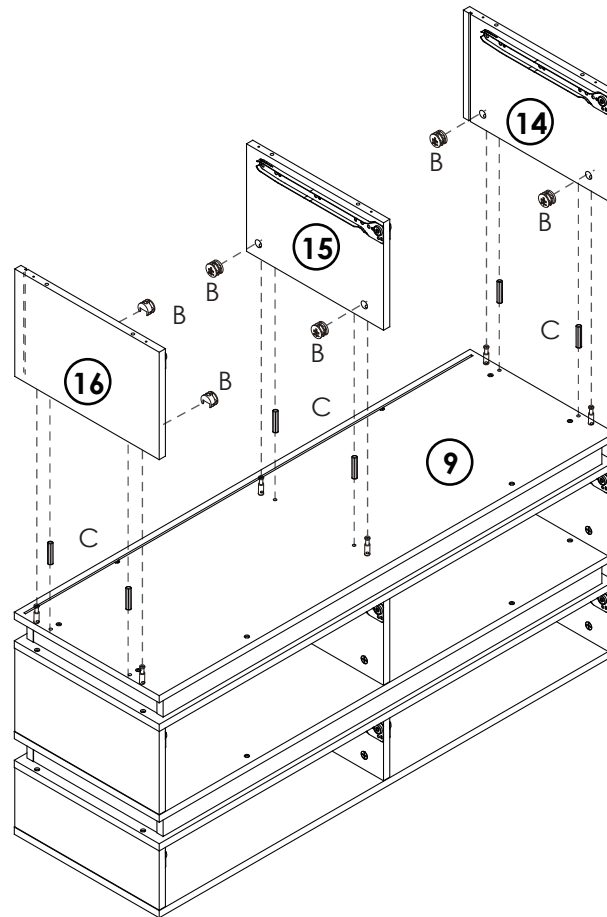
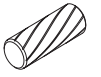


23

YOU WILL NEED

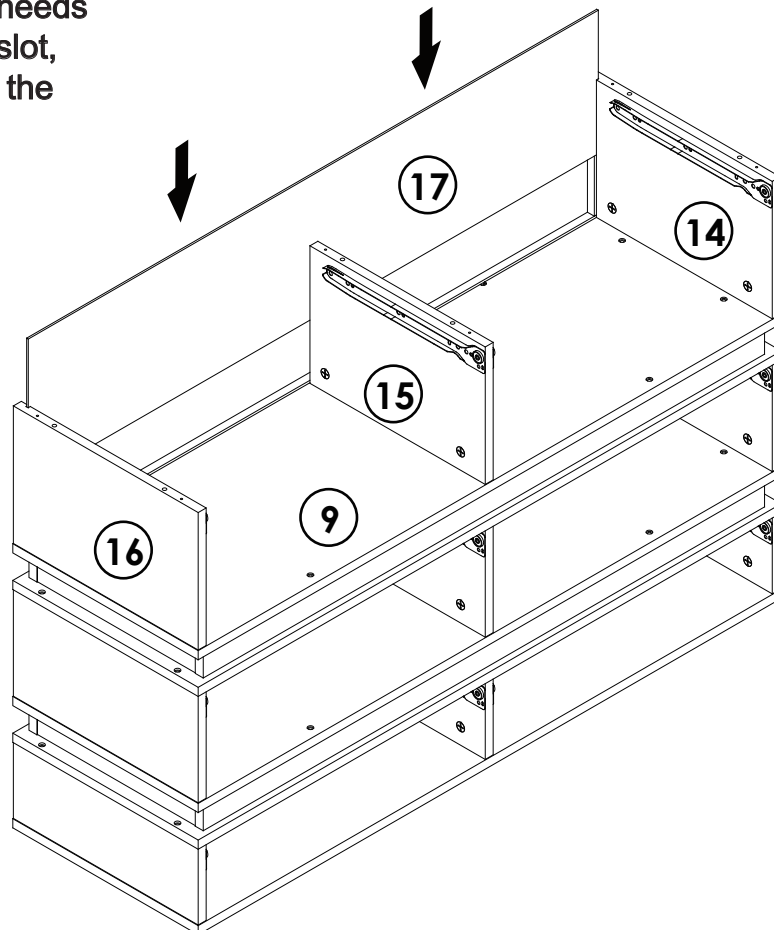
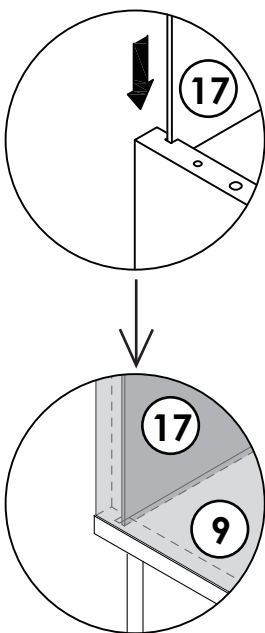
B x6

C x6

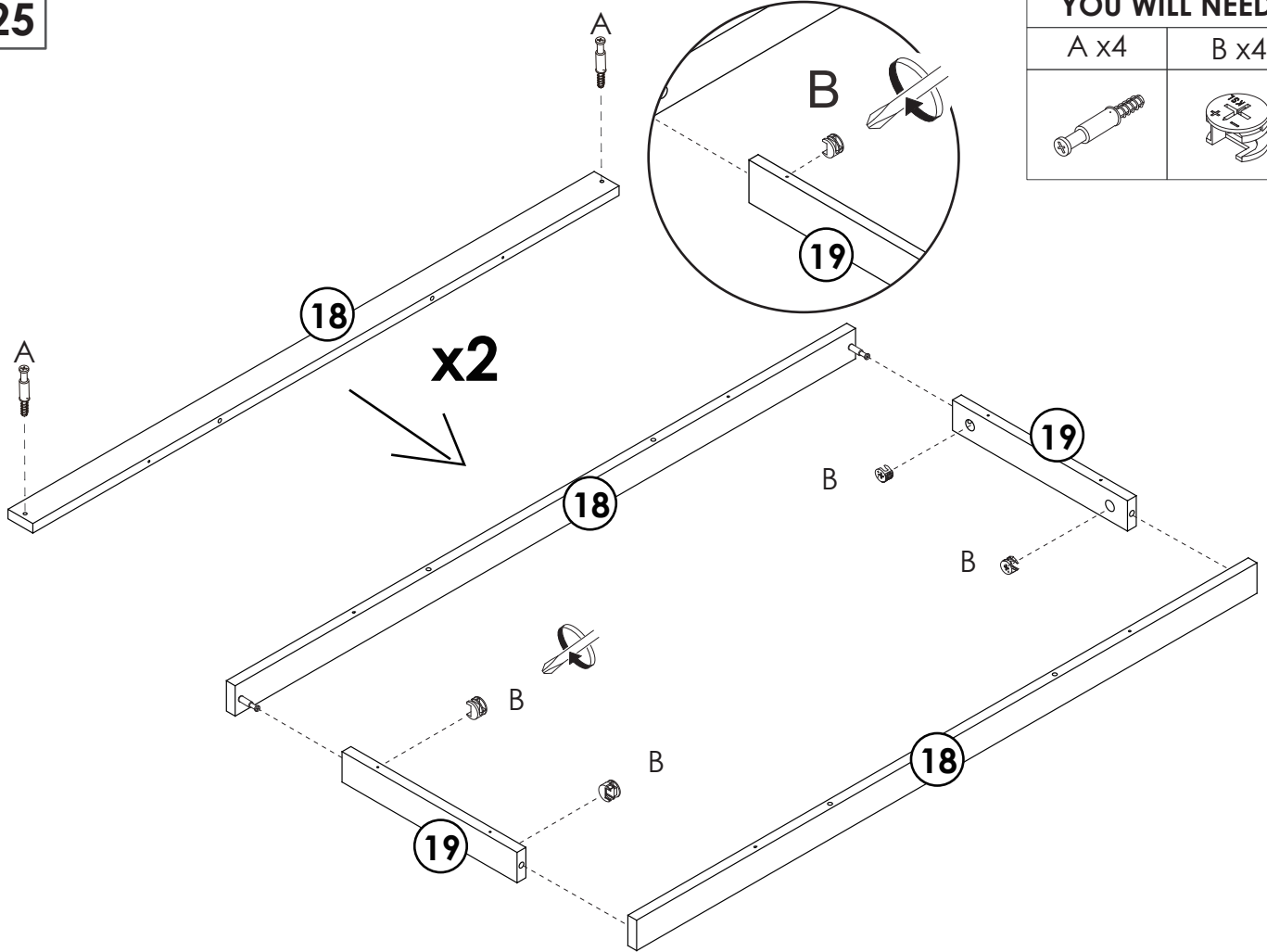


24

Thin back board needs to be inside the slot, otherwise blocks the opposite plate.



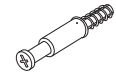
25



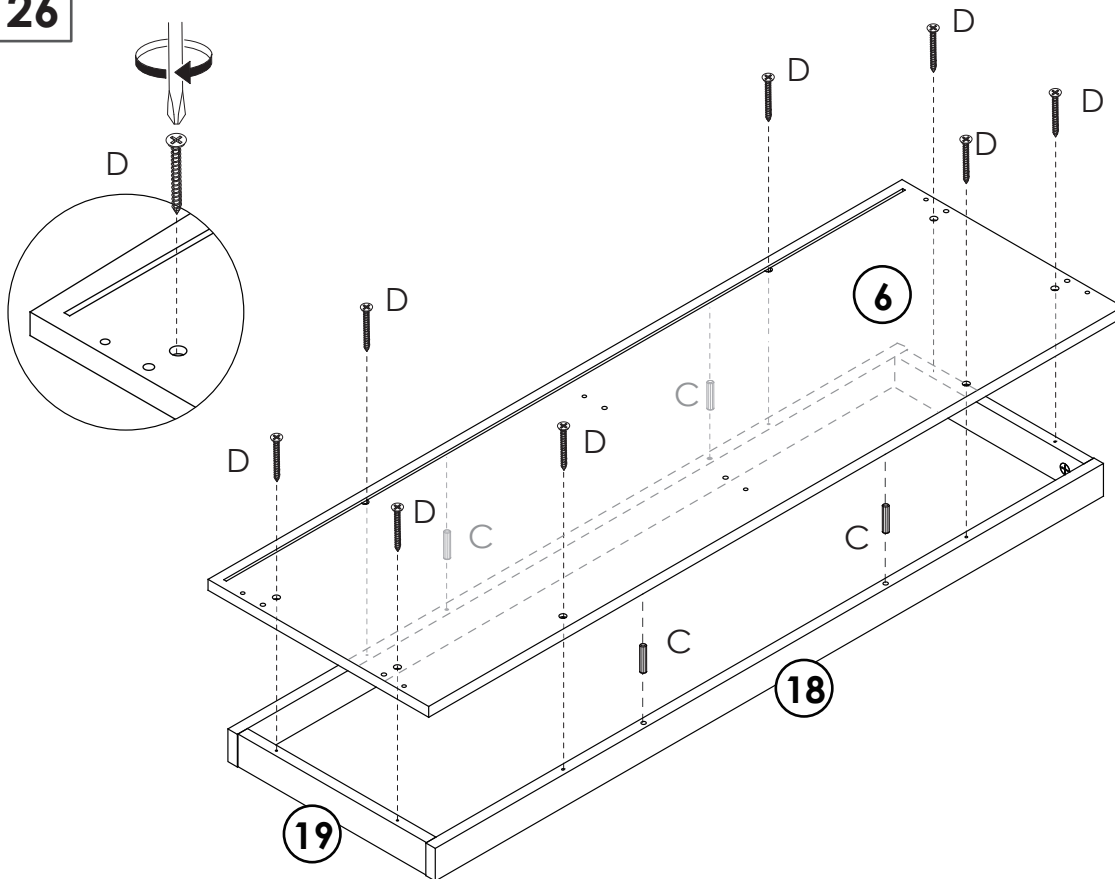
YOU WILL NEED

A x4

B x4



26



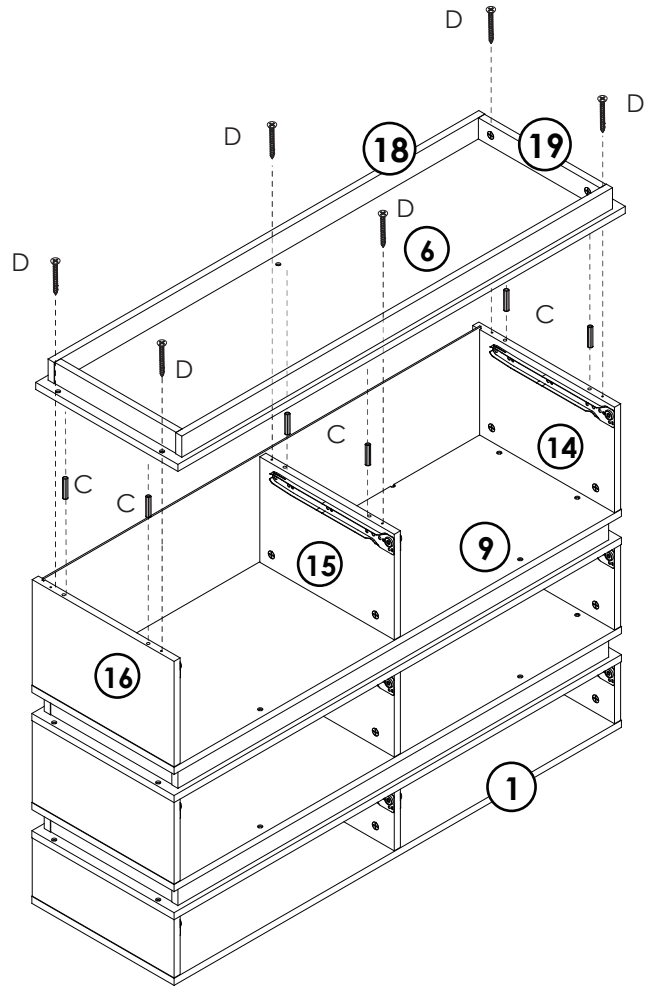
YOU WILL NEED

D x8

C x4



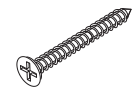
27



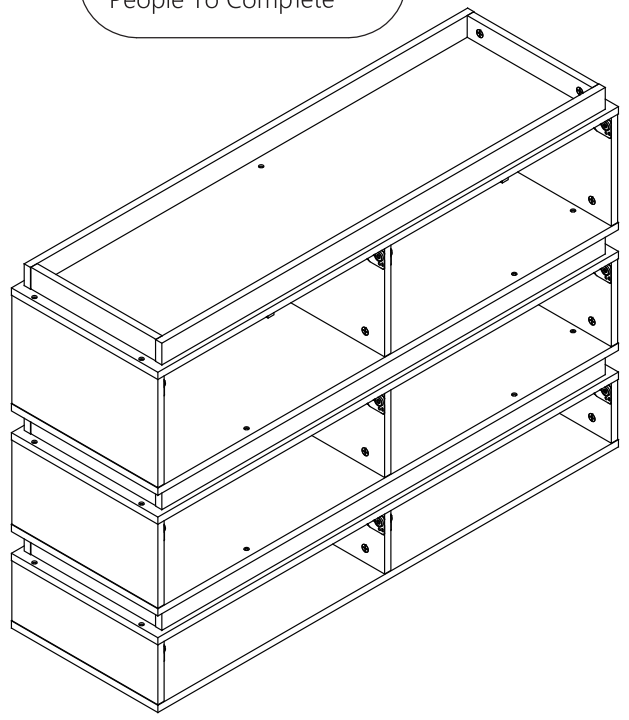
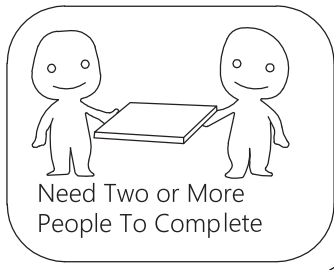
YOU WILL NEED

D x6

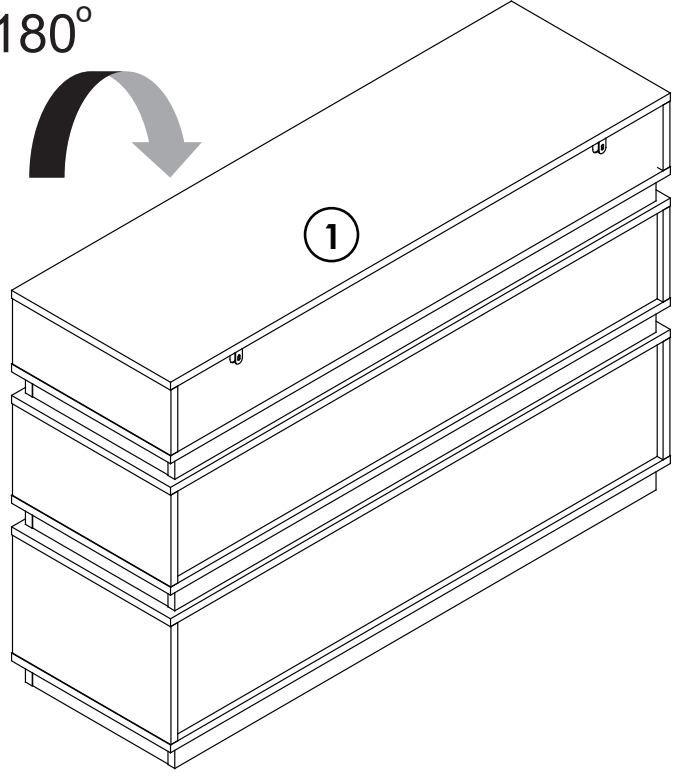
C x6



28

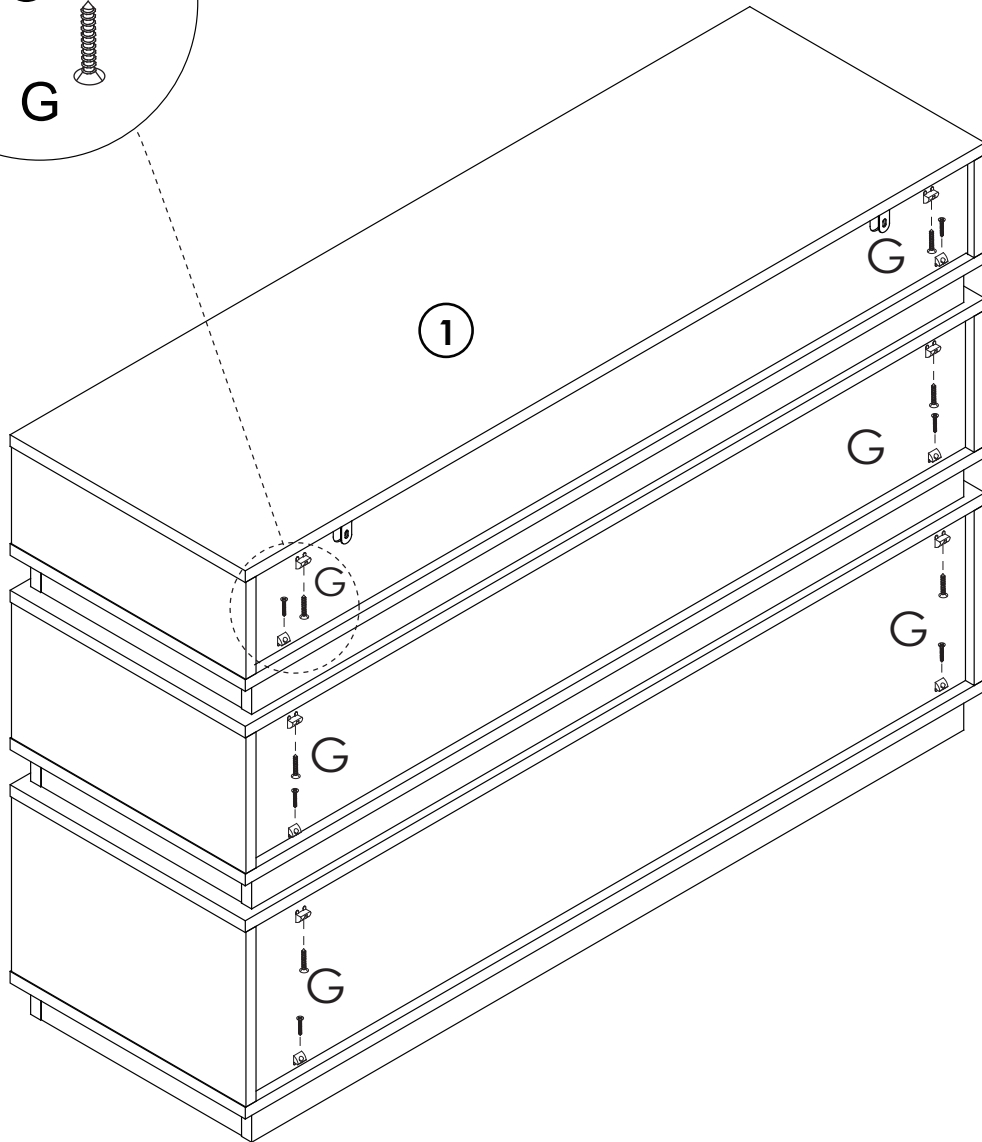
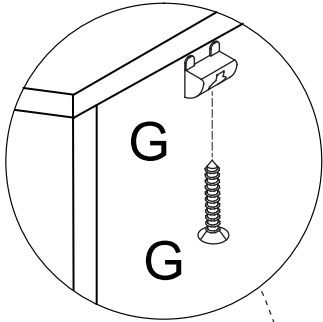


180°



YOU WILL NEED

G x12





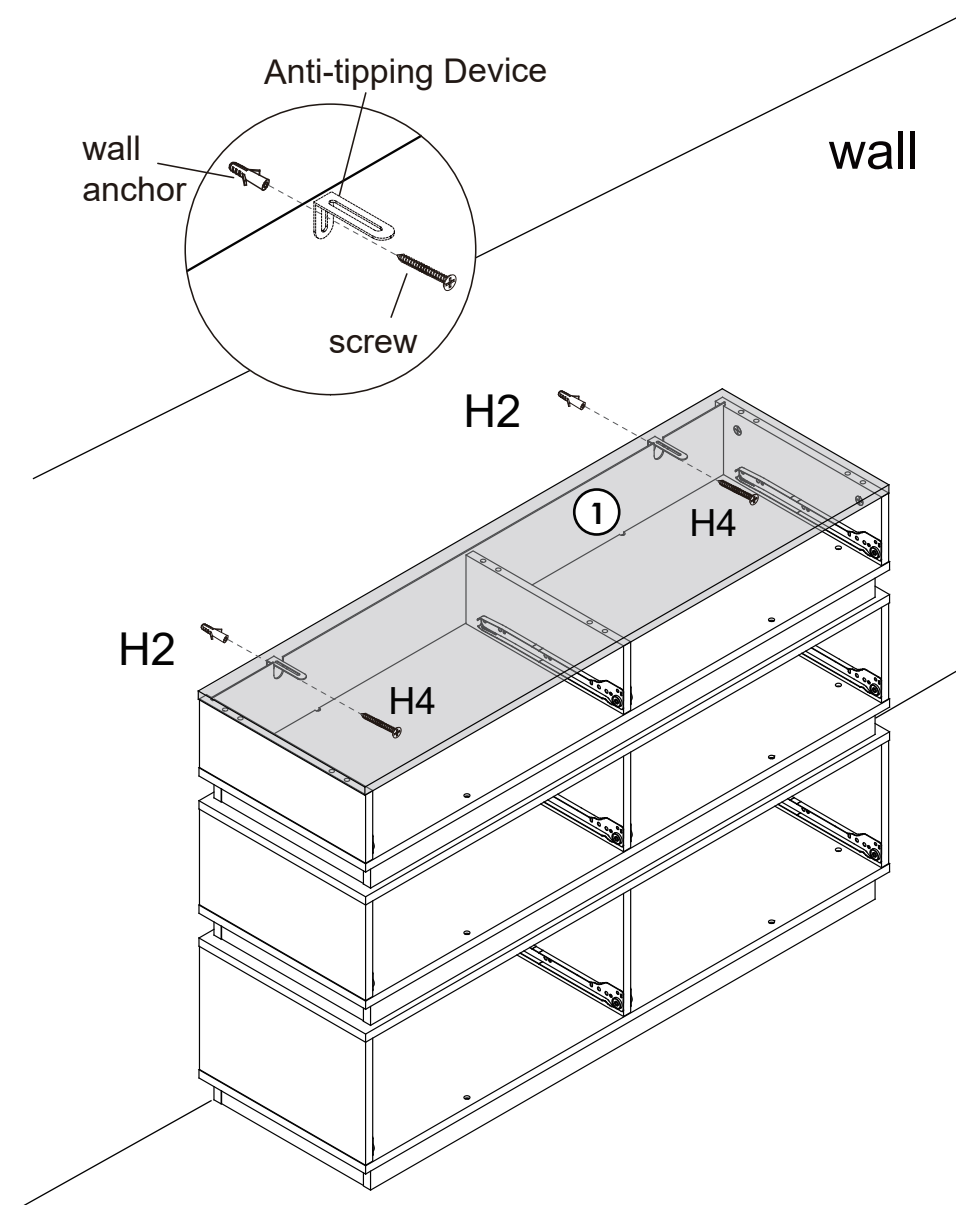
TIP-OVER HAZARD WARNING

To help prevent serious injury or death:

- Always anchor furniture to the wall or floor using the provided tip-over restraint kit.
- Do not place unstable furniture in areas where children play or climb.
- This product includes an anchor kit suitable for plaster walls. If you need a different type of anchor (e.g. for drywall, concrete, or brick), please consult your local hardware store.

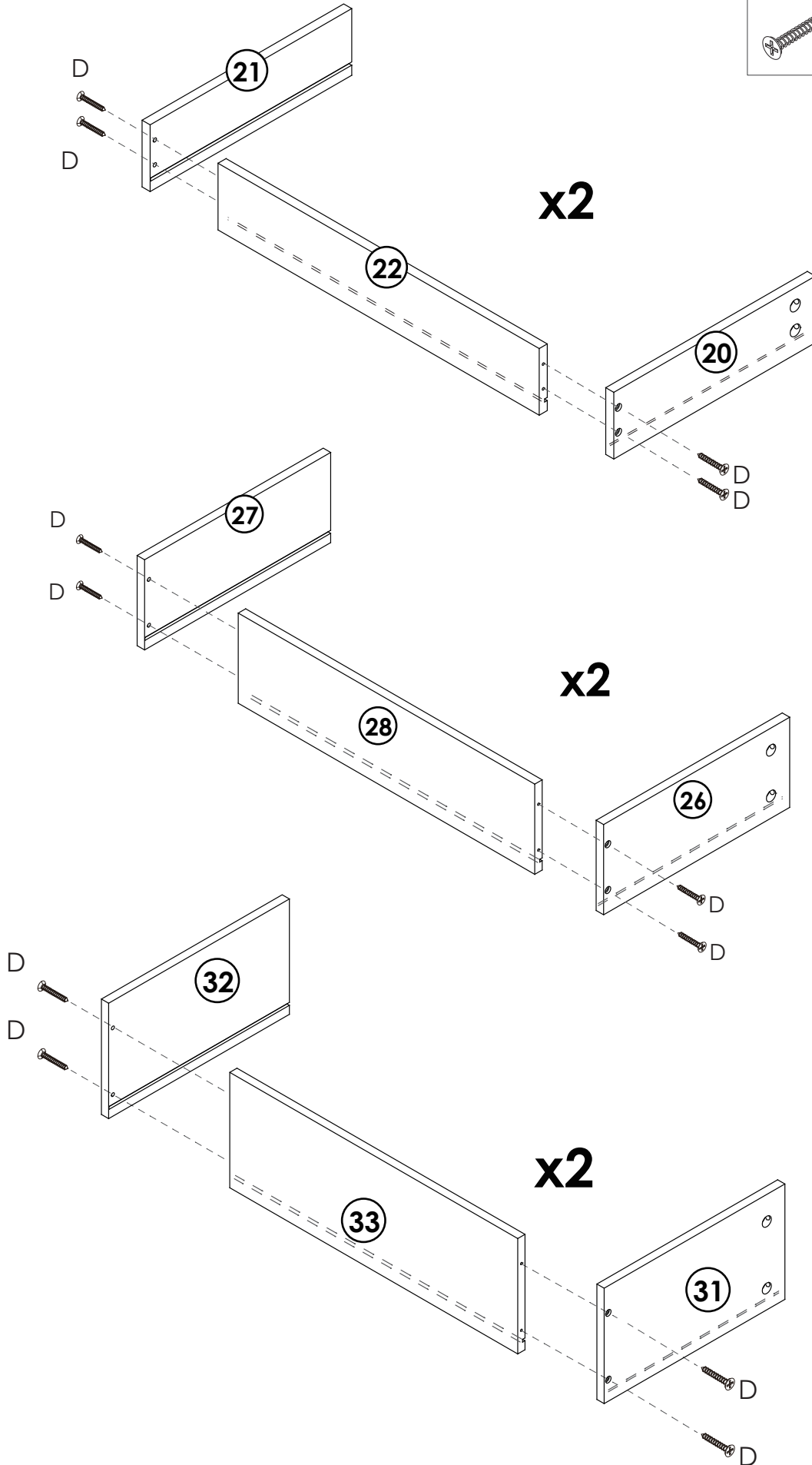
Important:

The tip-over restraint must be installed. Failure to do so increases the risk of tip-over. Before drilling, check the wall for hidden electrical wires, water lines, or gas pipes.

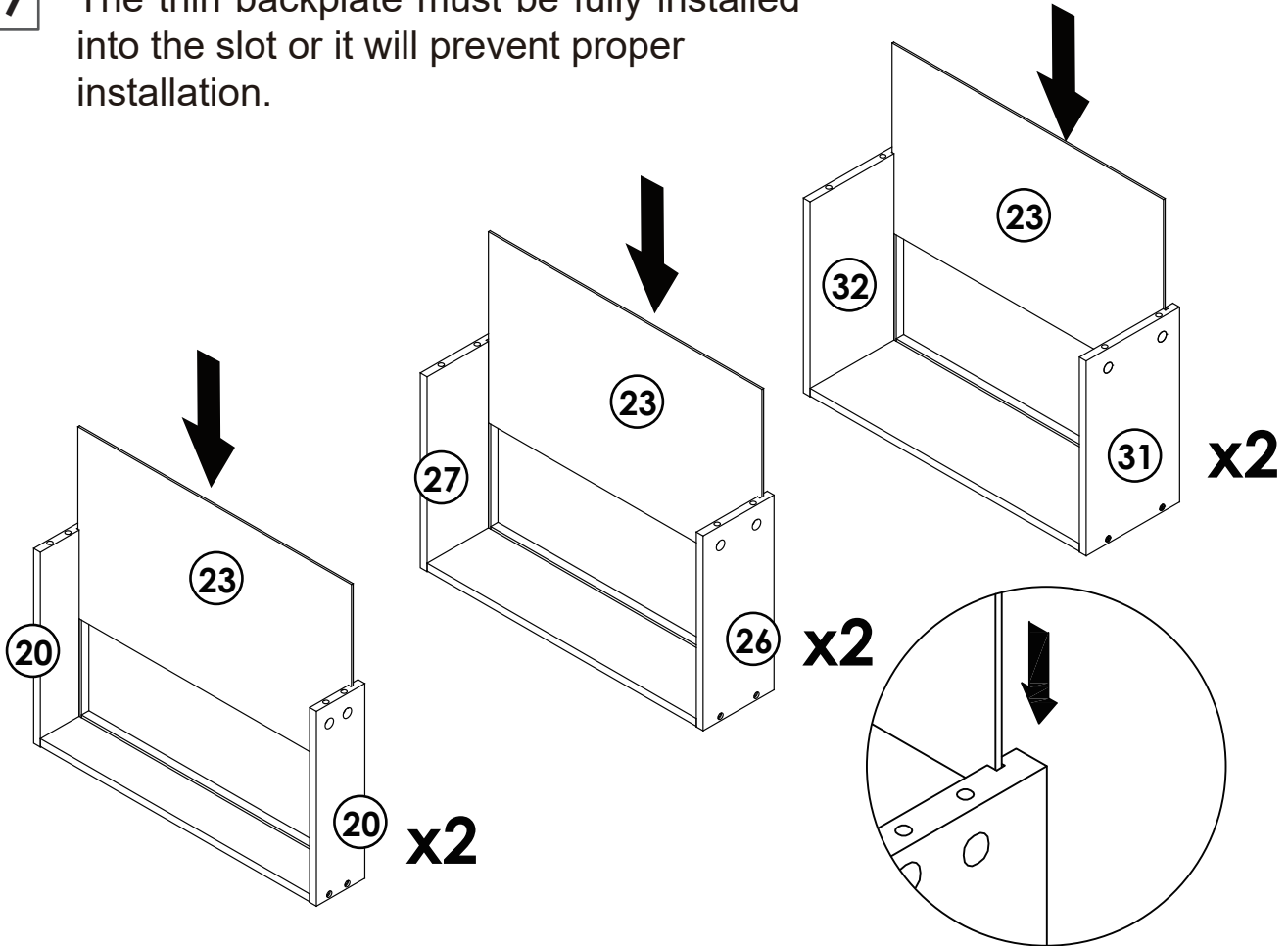


YOU WILL NEED

D x 24



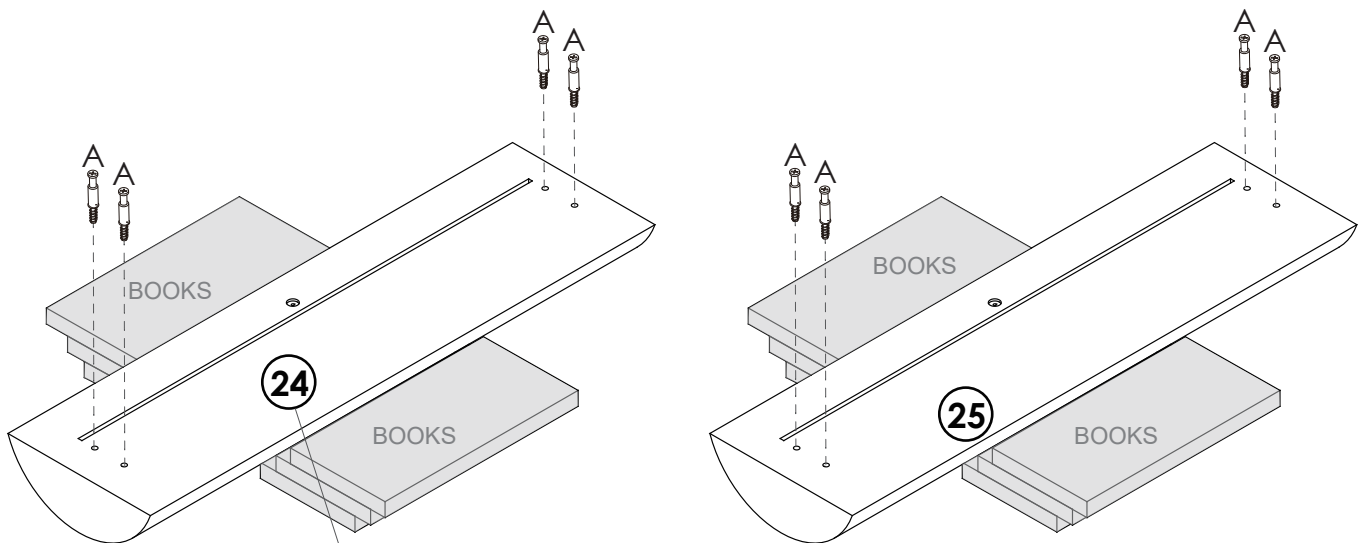
37 The thin backplate must be fully installed into the slot or it will prevent proper installation.



38 You need some books to maintain the balance of the noodles.

YOU WILL NEED

A x8

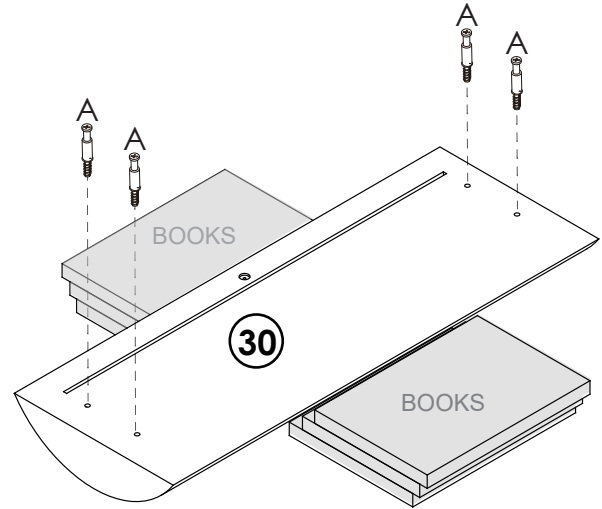
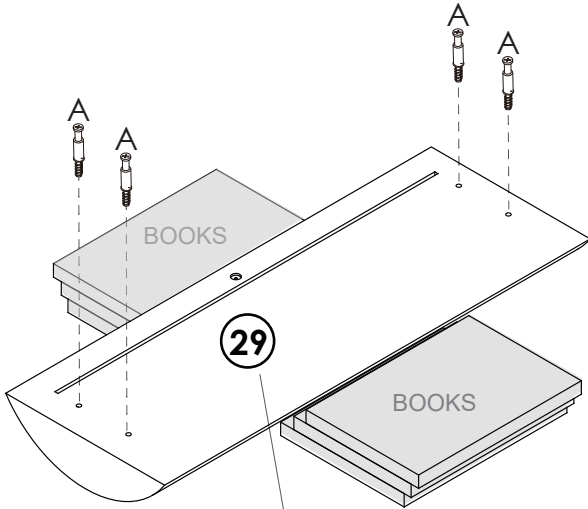
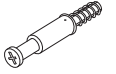


This is the left side drawing.

39 You need some books to maintain the balance of the noodles.

YOU WILL NEED

A x8

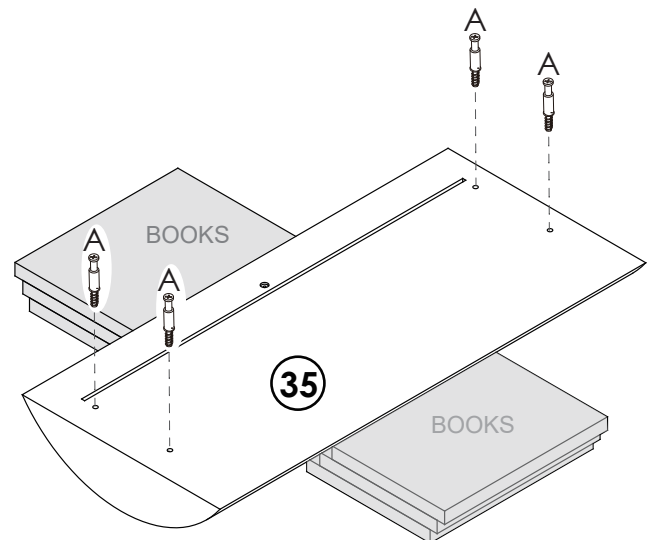
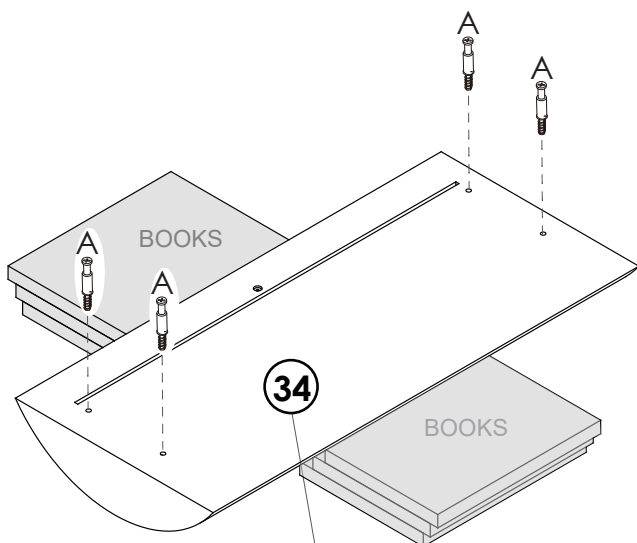
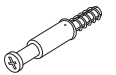


This is the left side drawing.

40 You need some books to maintain the balance of the noodles.

YOU WILL NEED

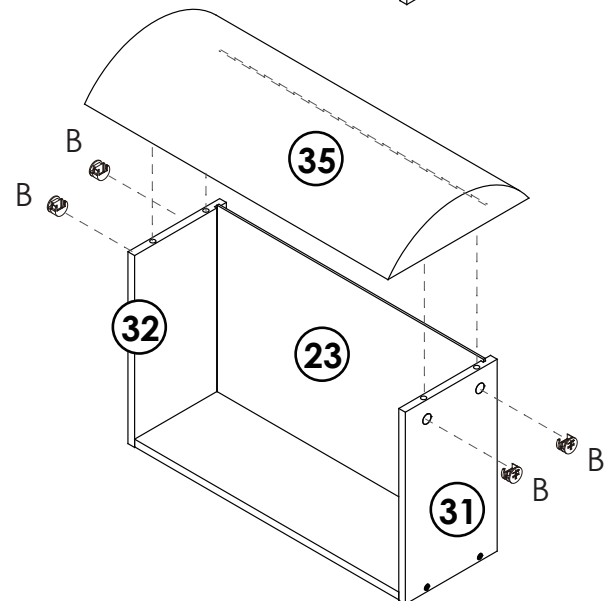
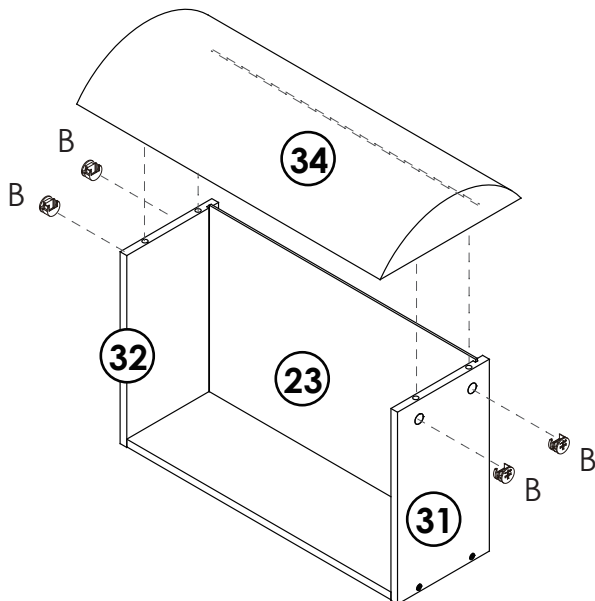
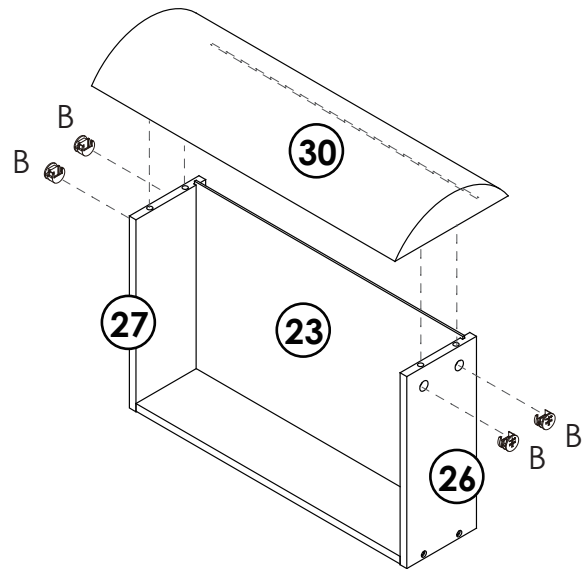
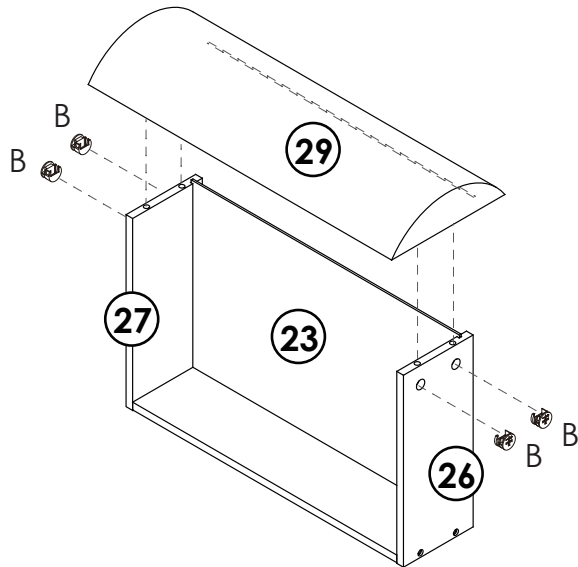
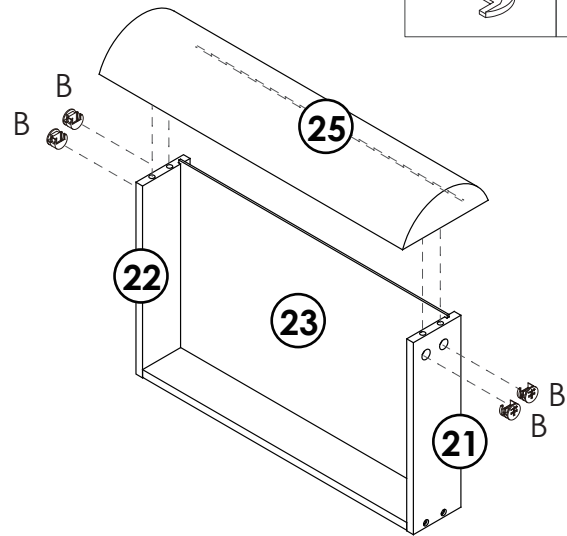
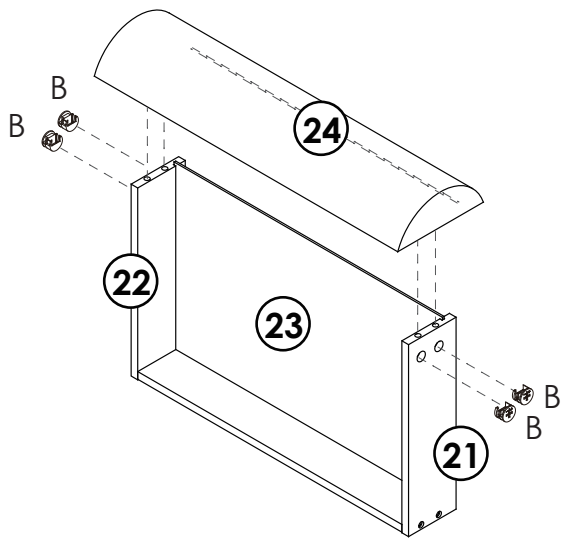
A x8






This is the left side drawing.

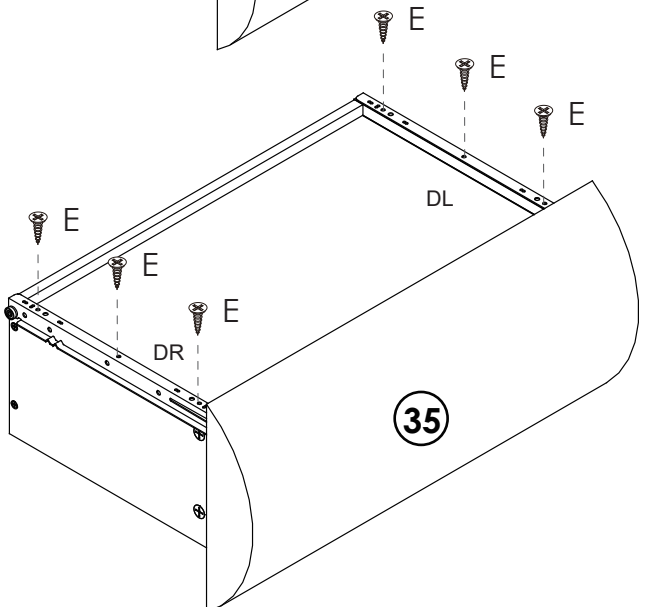
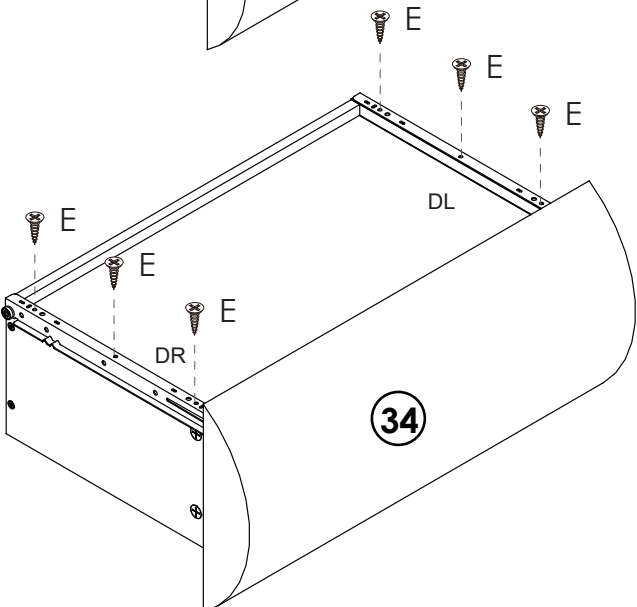
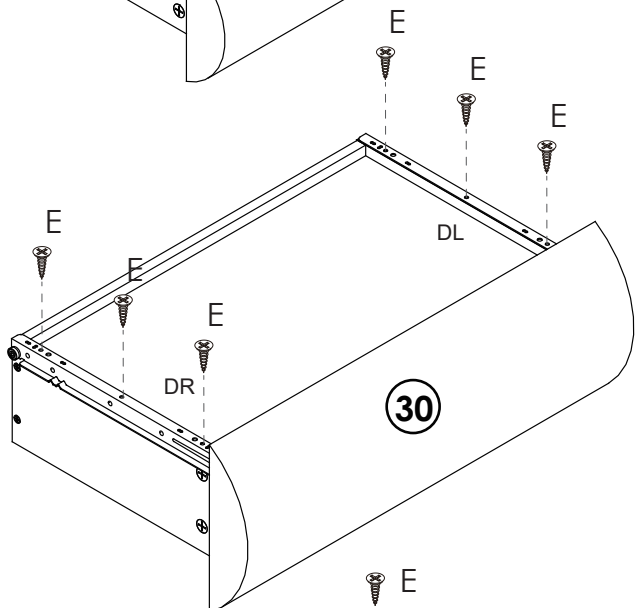
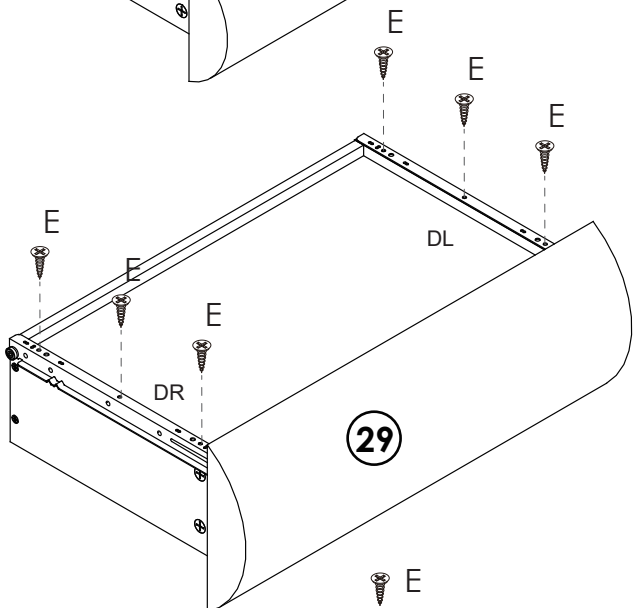
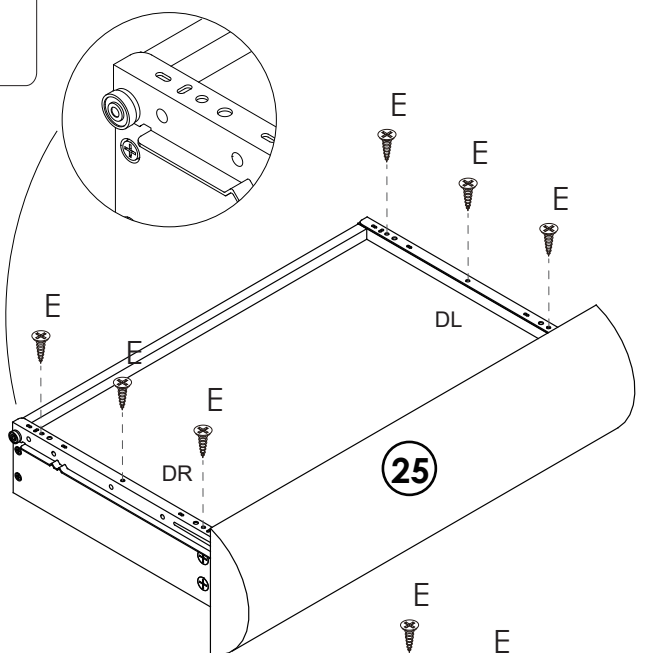
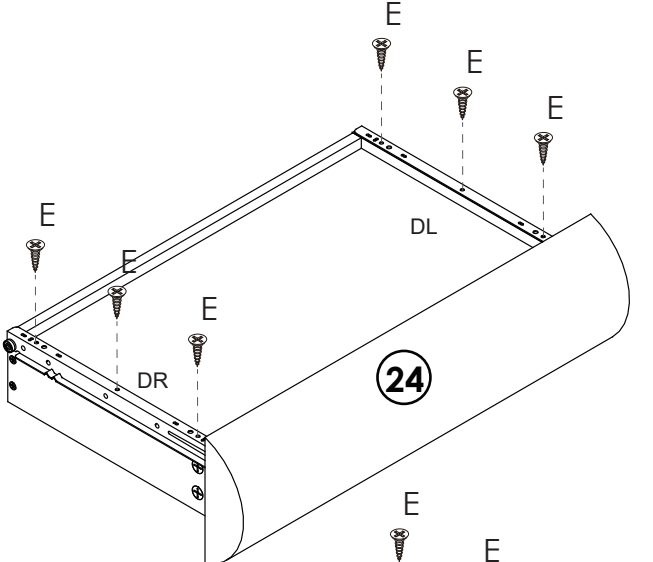
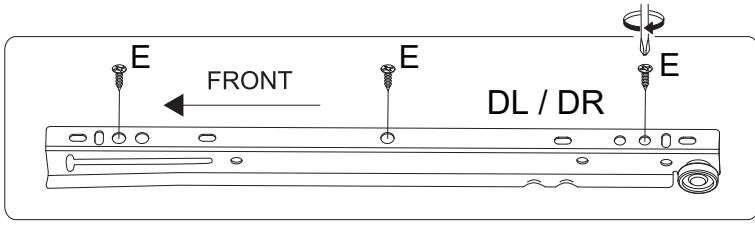
YOU WILL NEED

B x24



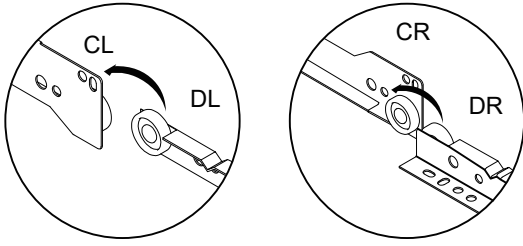
42 Lock the slides onto the plate according to the holes shown in the illustration.

YOU WILL NEED	
E x36	I
	 DL x6  DR x6

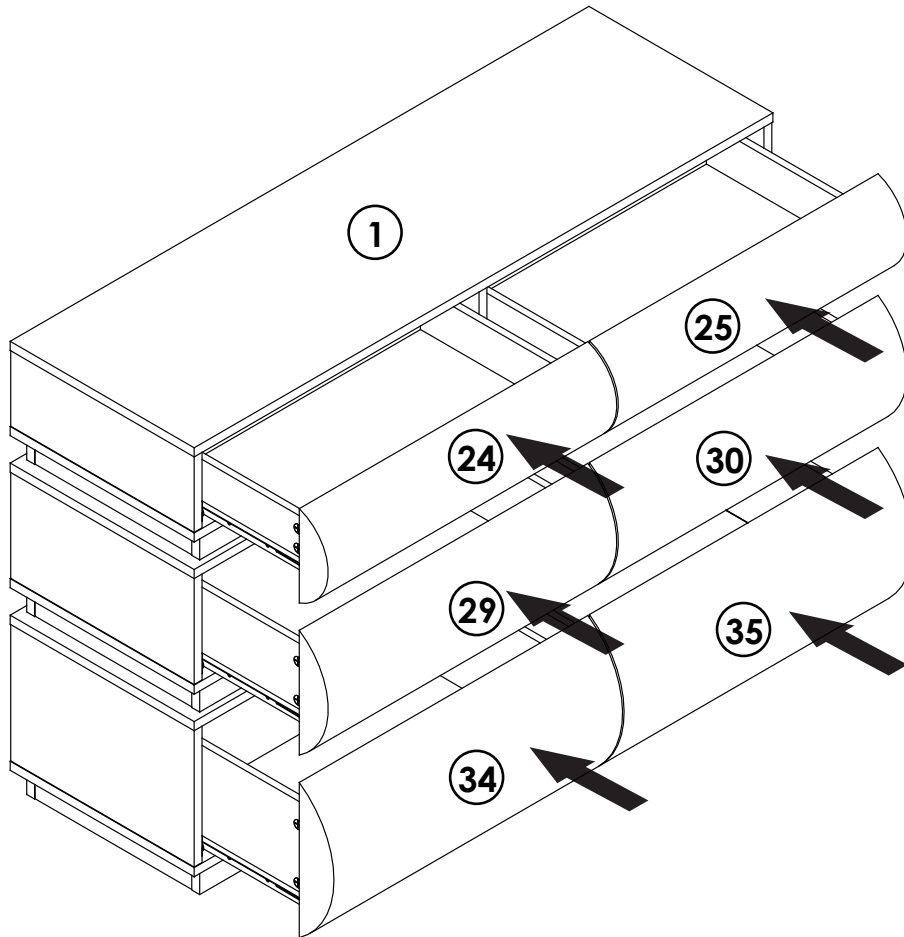


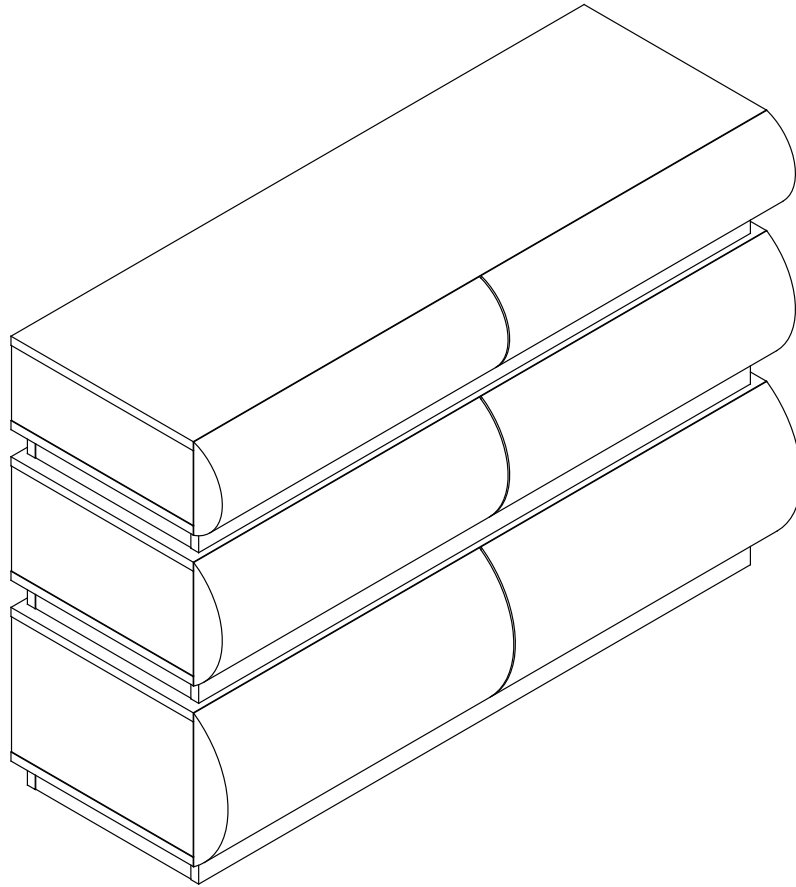
43

The rollers on both sides should be fully seated in the slides as shown.



These drawer panels of No.24, No.29 & NO.34 are on the left.
Do not confused the position of drawer of on the left and right sides.





WARNING



Children have died from furniture tipover. To reduce the risk of furniture tipover:

- ALWAYS install tipover restraint provided.
- NEVER put a TV on this product.
- NEVER allow children to stand, climb or hang on drawers, doors, or shelves.
- NEVER open more than one drawer at a time.
- Place heaviest items in the lowest drawers.

