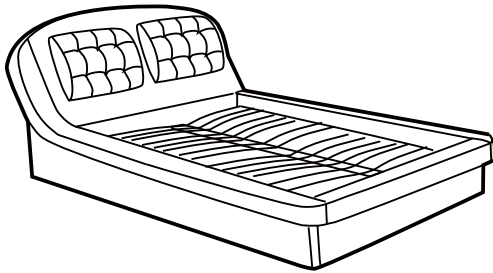


QUEEN SIZE



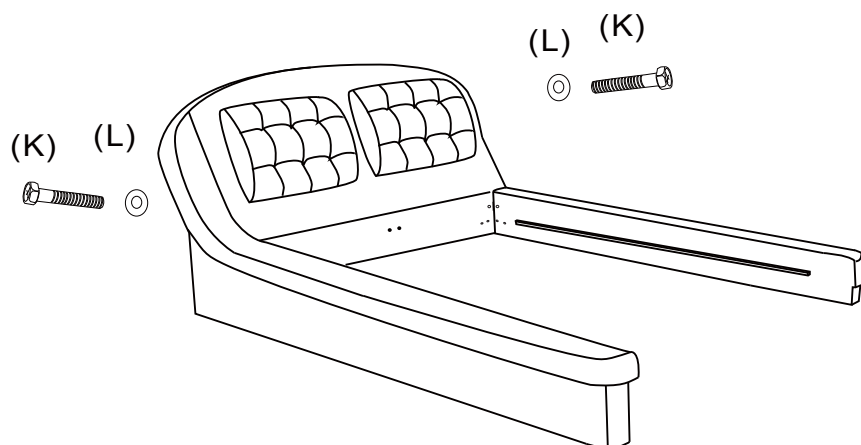
WARNING

Inspect the bed before each use, make sure all components and parts are correctly and securely positioned. Do not use it if any worn, defective, or missing parts. Do not do sudden seating or bouncing on the bed. Do not jump onto or off the bed. Do not use the bed unless placed at a stable position. When you clean the bed, please use a leather cleaner. Suggested tools: electronic screwdriver

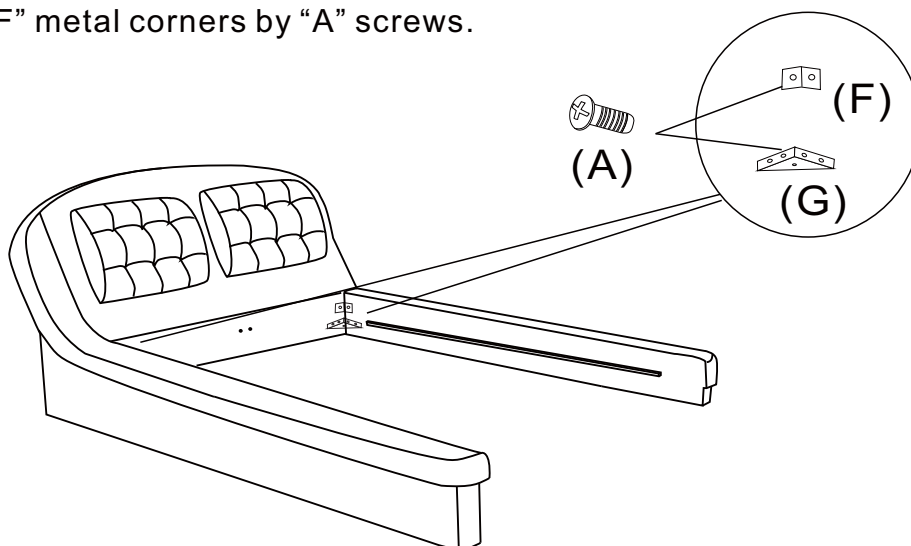
Components/QTY		Components/QTY		Components/QTY	
Screw(Bed)	(A) 28	Small Conner	(F) 4	Long screw	(K) 2
Screw(Slat)	(B) 4	Big corner	(G) 4	Mat	(L) 2
Nut(Slat)	(C) 4	Part1(Slat)	(H) 14	Spanner	(M) 2
Central rail	(D) 1	Part2(Slat)	(I) 28		
Legs(Slat)	(E) 2	Block	(J) 28		

<p>① HEAD BOARD (1PC)</p>	<p>② FOOT BOARD (1PC)</p>	<p>③ SIDE RAIL (2PCS)</p>	
---------------------------	---------------------------	---------------------------	--

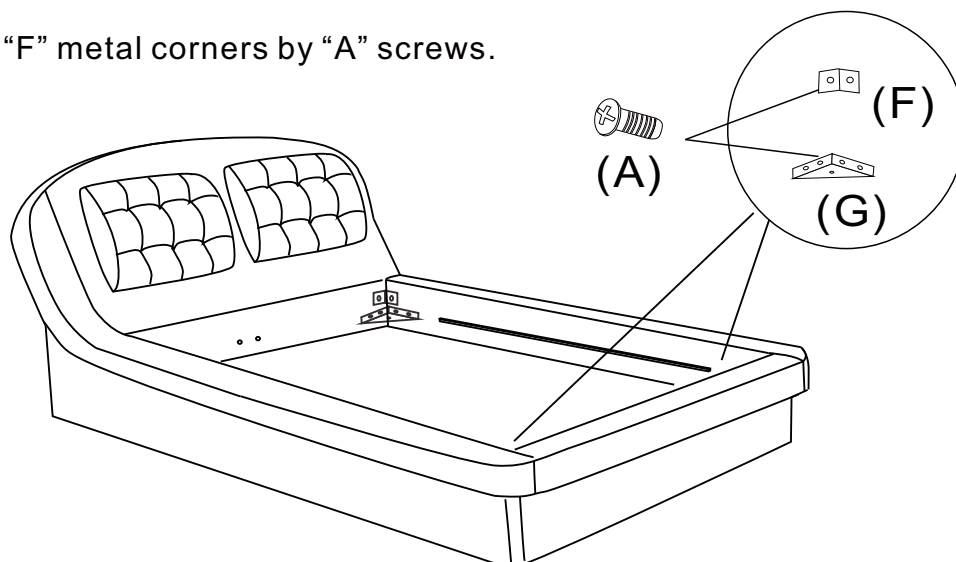
1. Connect the headboard with bedside by "K" long screw and "L" mat.



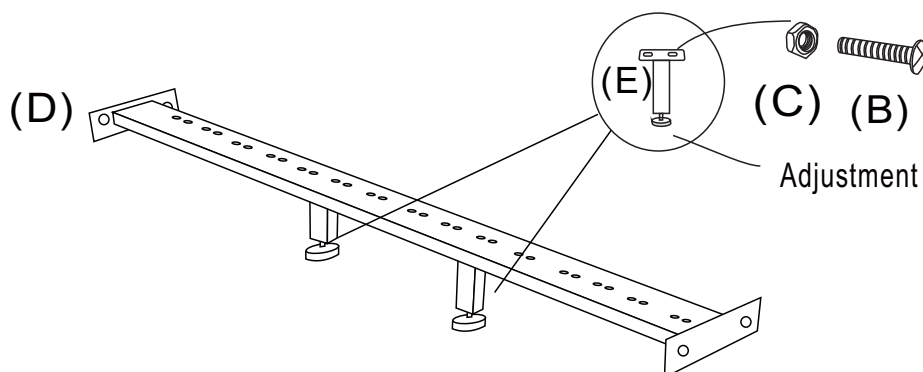
2. Fix "G" and "F" metal corners by "A" screws.



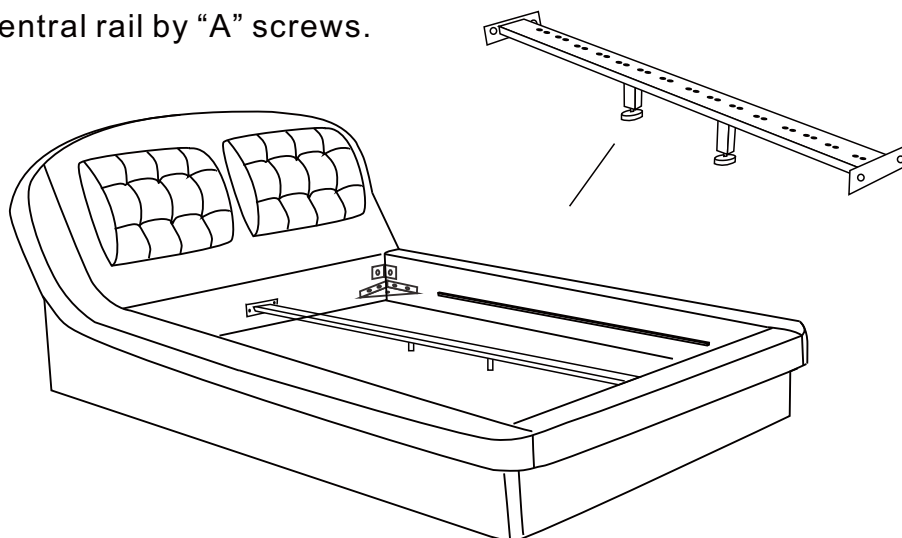
3. Fix "G" and "F" metal corners by "A" screws.



4. Fix the "E" adjustable legs by "C" nuts and "B" screws onto "D" central rail.



5. Fix the "D" central rail by "A" screws.



6. Fix the "J" slat by "I" and "H" plastic caps, then press "J" slat onto the central rail and both side rails.

