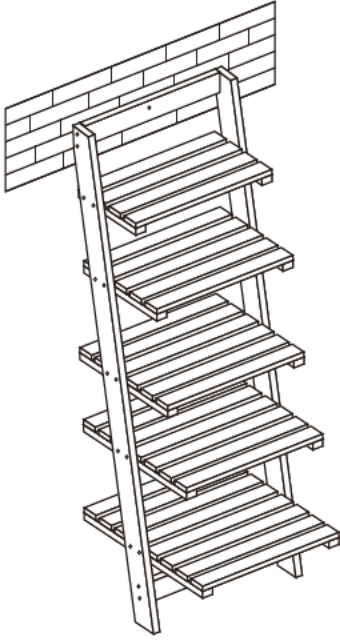


5-Tier Leaning Ladder Bookshelf

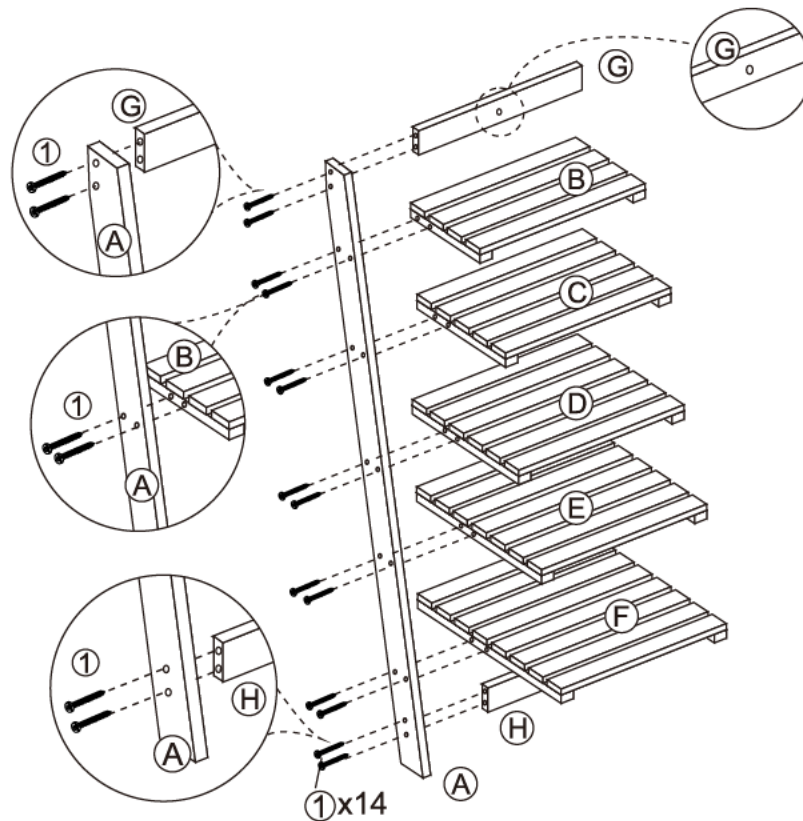


Ax2	Bx1	Cx1	Dx1		Ex1	
	Top Shelf	2 nd Shelf	3 rd Shelf	4 th Shelf		
	Fx1	Gx1	Hx1	①x28+2 2 extra	②x1	③x1
Left/Right Support	Bottom Shelf	Support shelf to Top Support	Support shelf to Bottom Support	Hexagon Screw	Cross Screw	Expansion bolt
					④x1	
						Wrench

STEP1



Attach (Part G, B, C, D, E, F, H) shelf to Left Support (Part A) with 1 (hexagon screw)

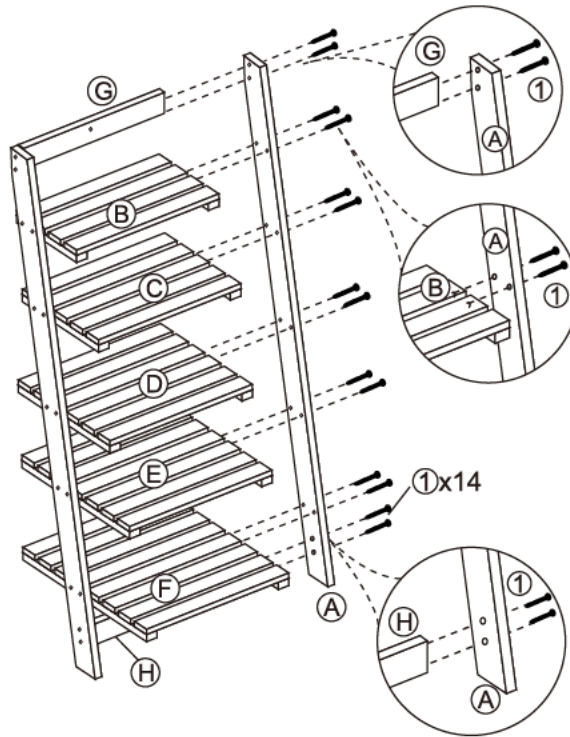


STEP2

① x14



Attach (Part G,B,C,D,E,F,H) shelf to Right Support(Part A) with 1(hexagon screw)



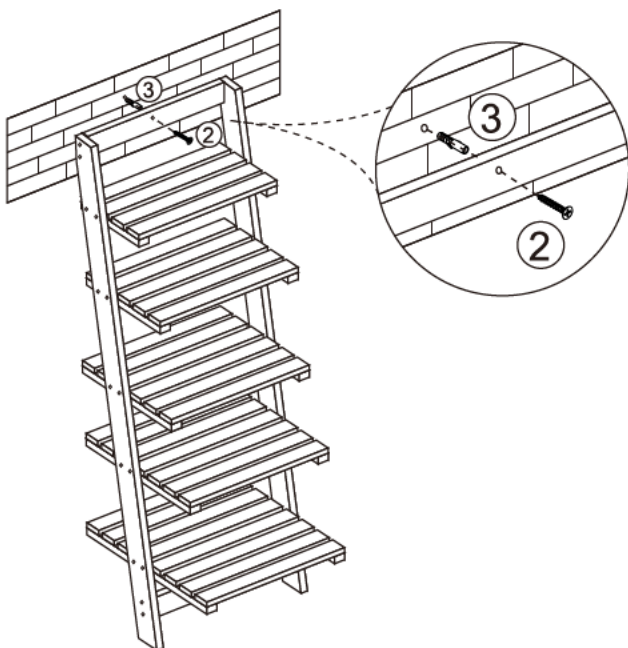
STEP3

③ x1

② x1



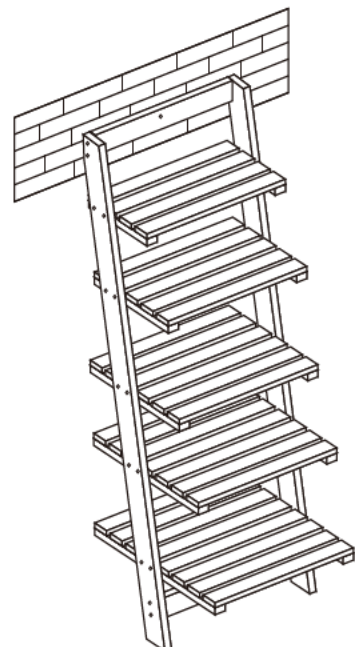
To prevent tipping, affix shelf to wall



STEP4

CLEANING INSTRUCTIONS:

Dust using a clean, soft, dry and lint-free cloth.
We do not recommend using chemical cleansers,
abrasives or furniture polish.
FOR INDOOR USE.



Per Shelf