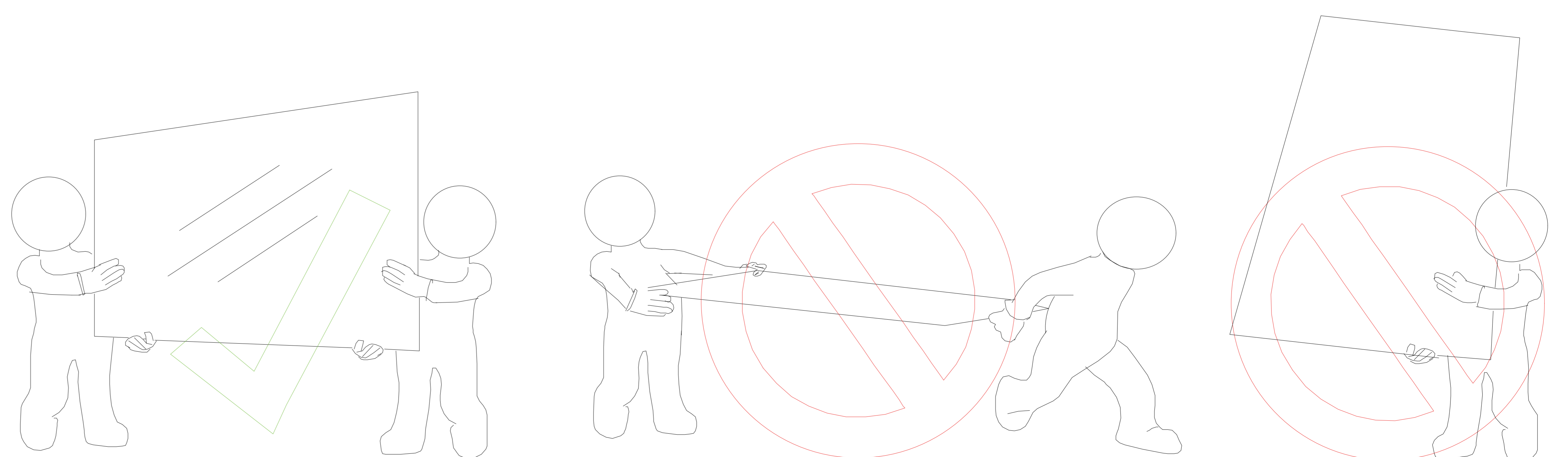
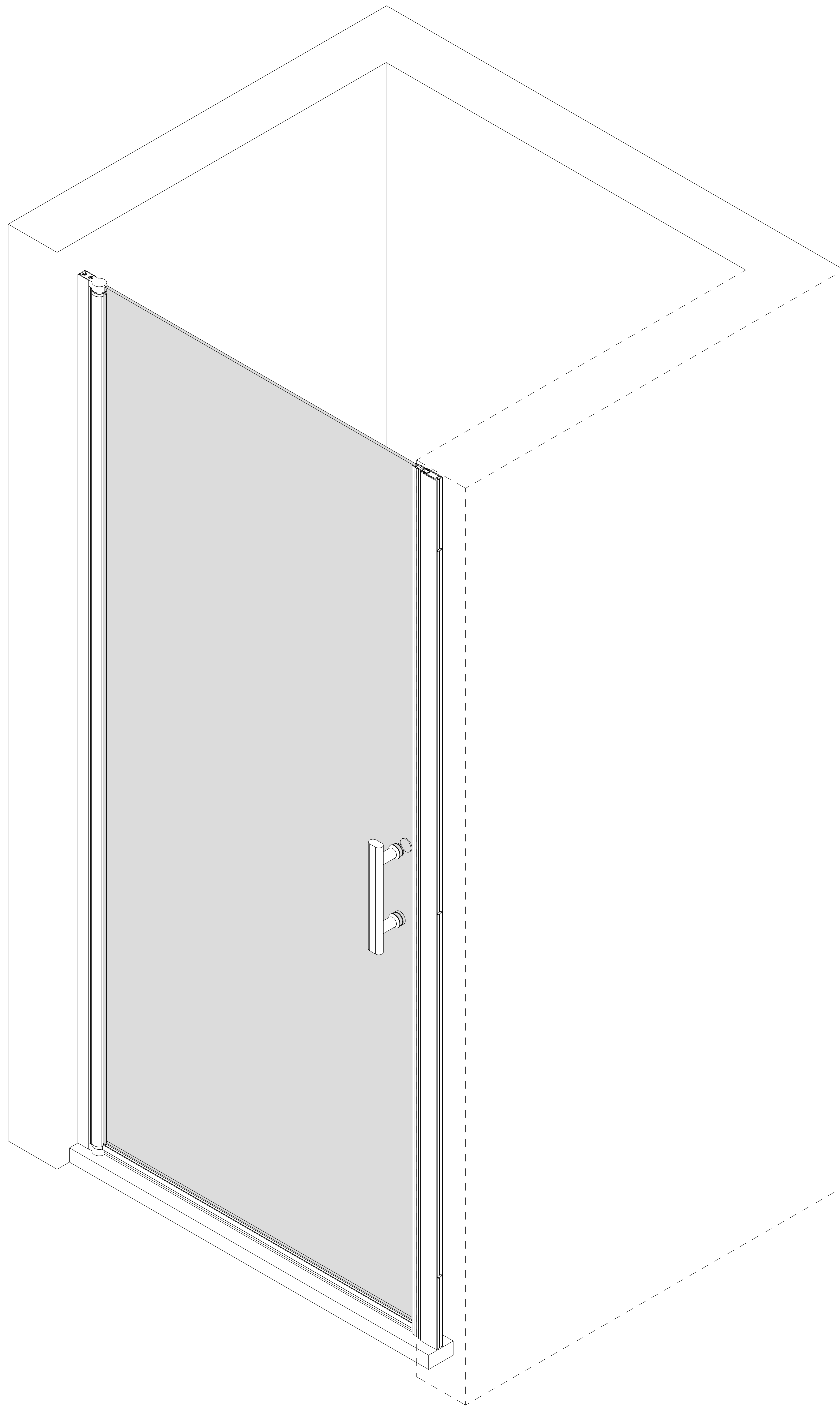
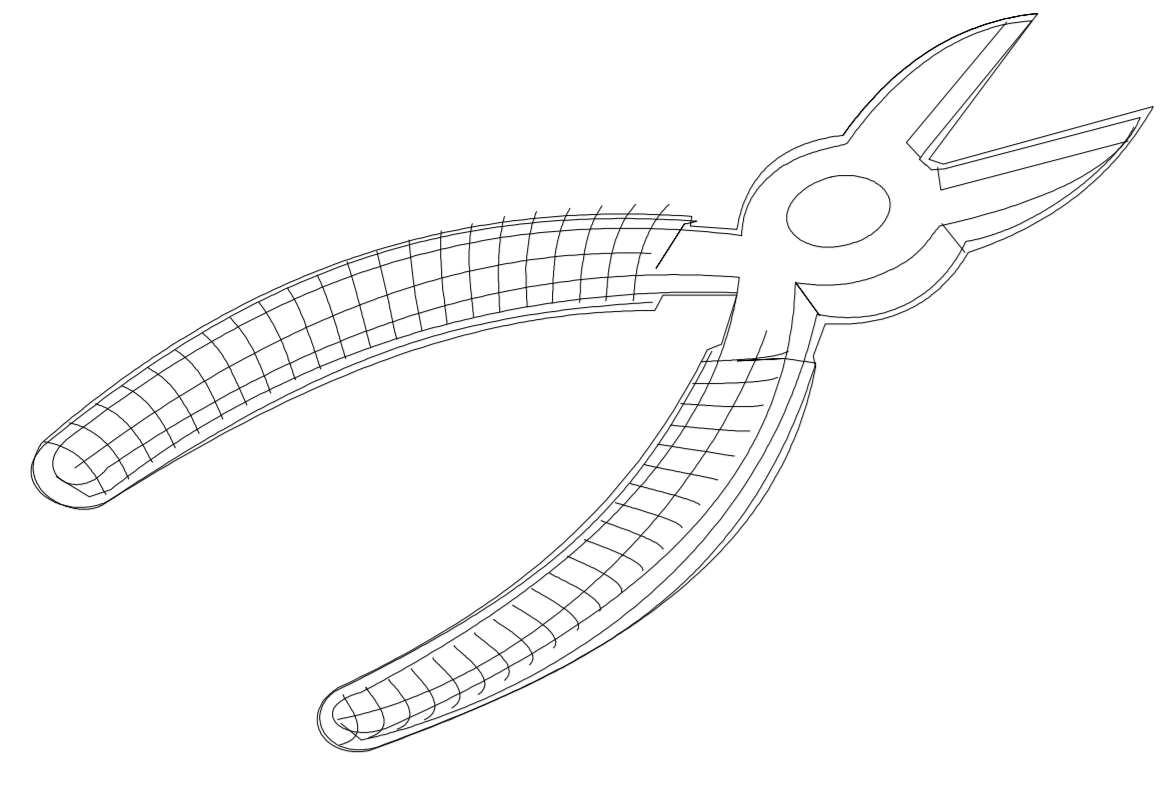
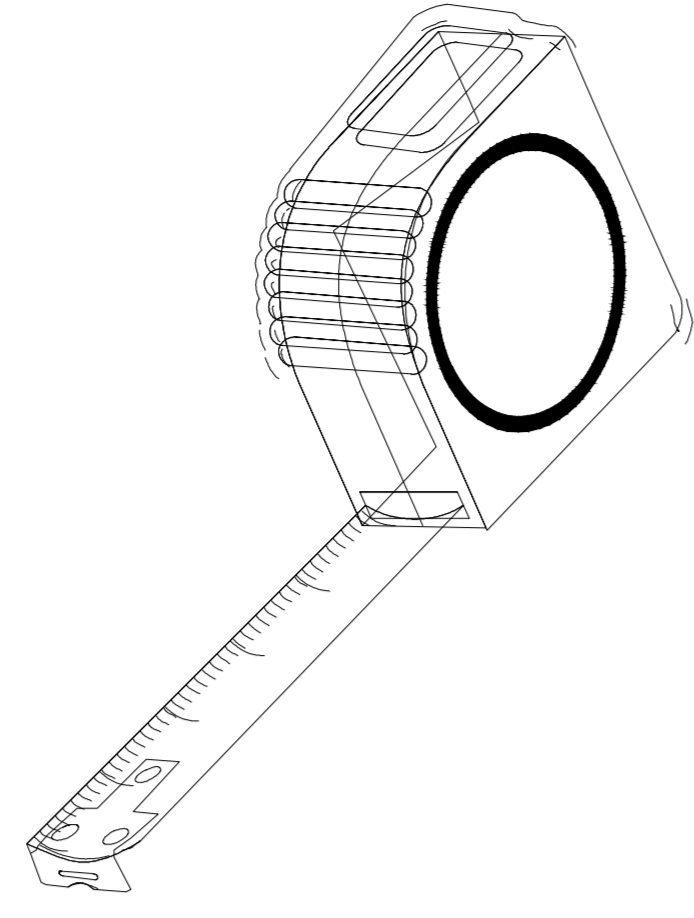
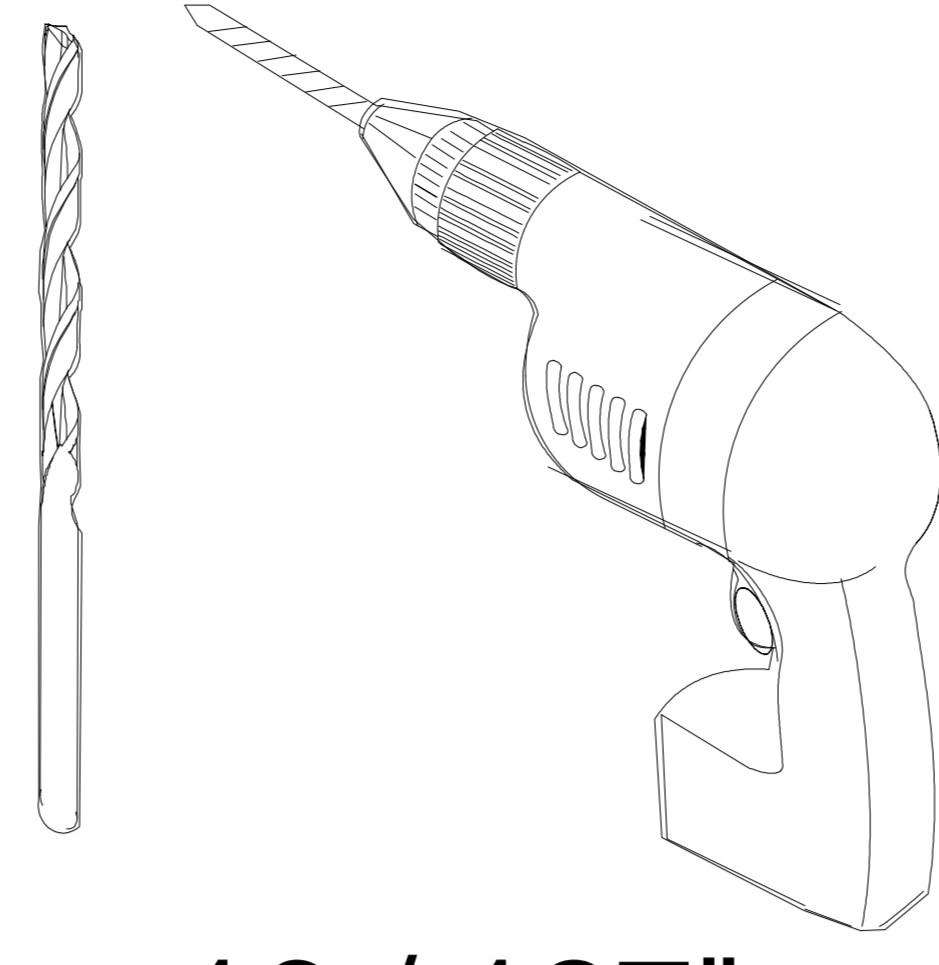
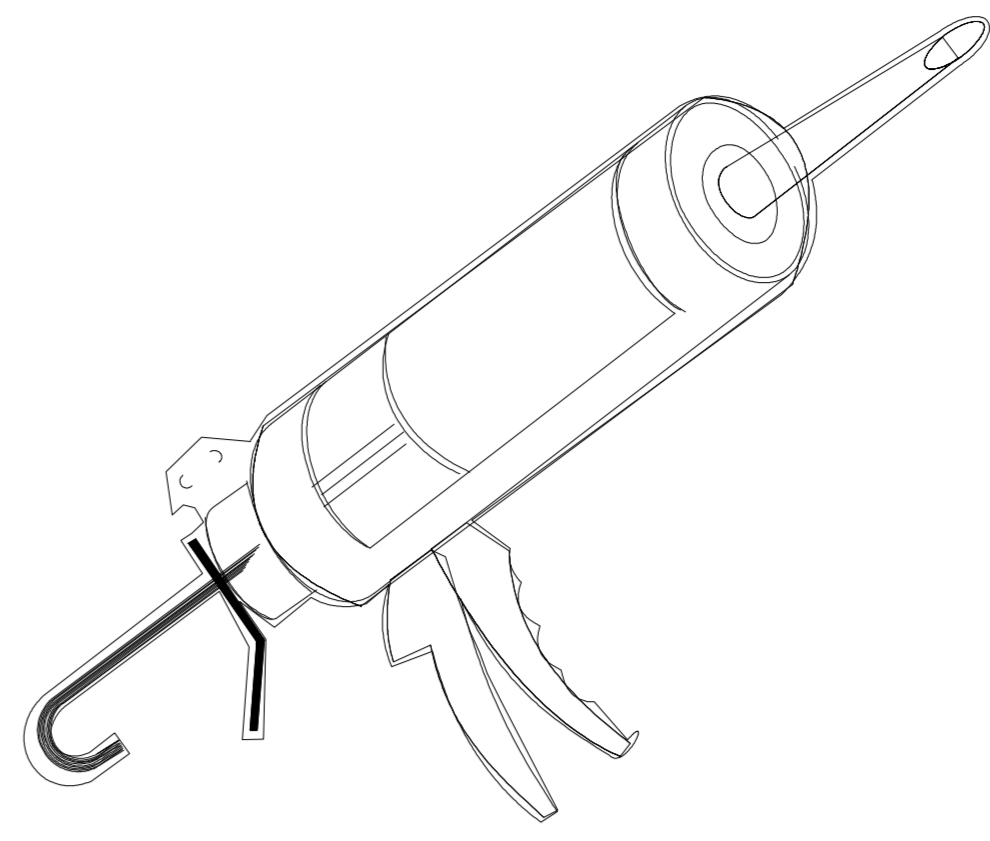
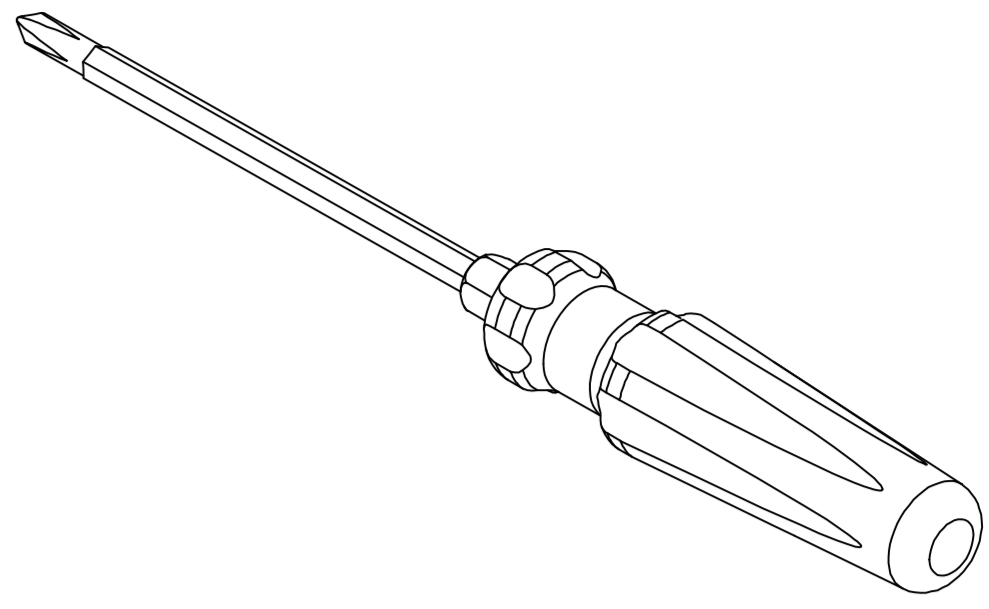
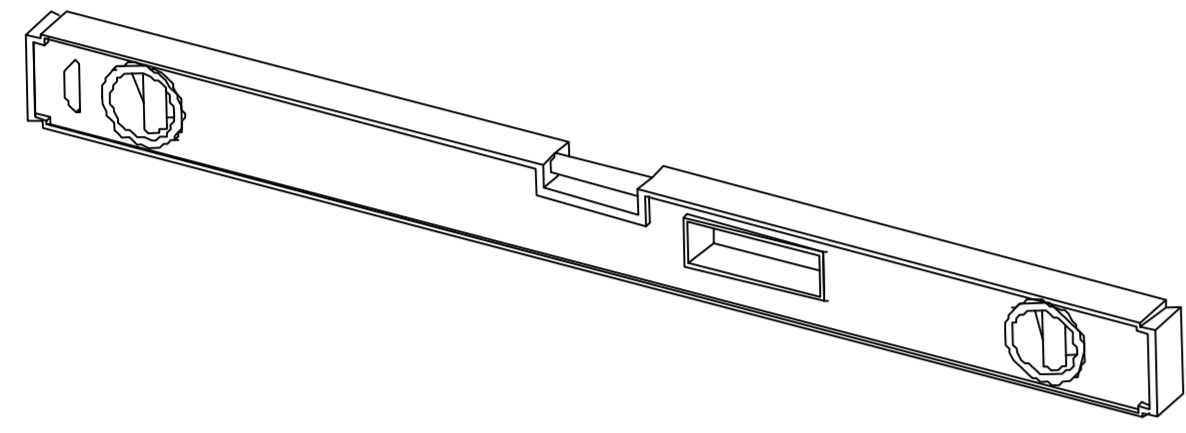
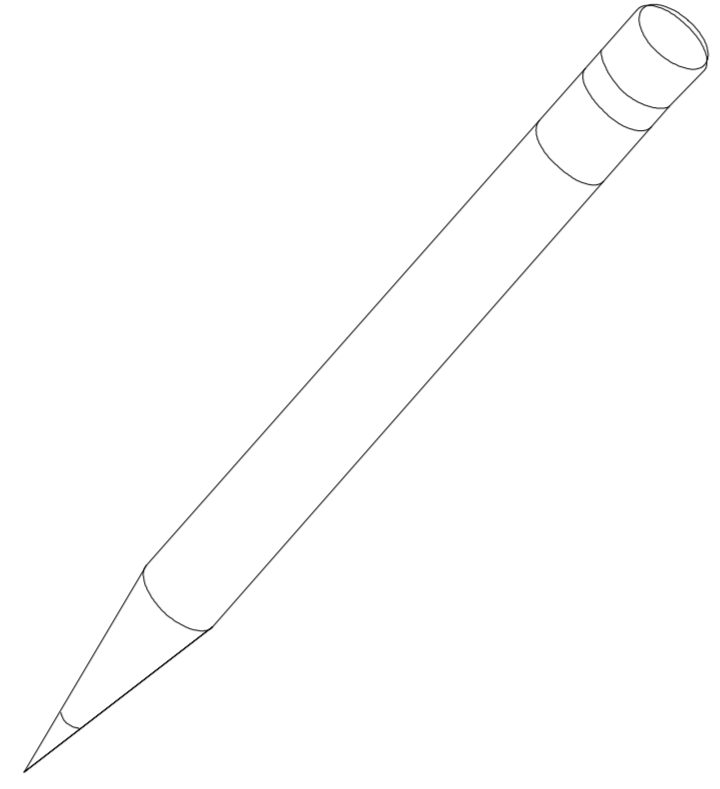
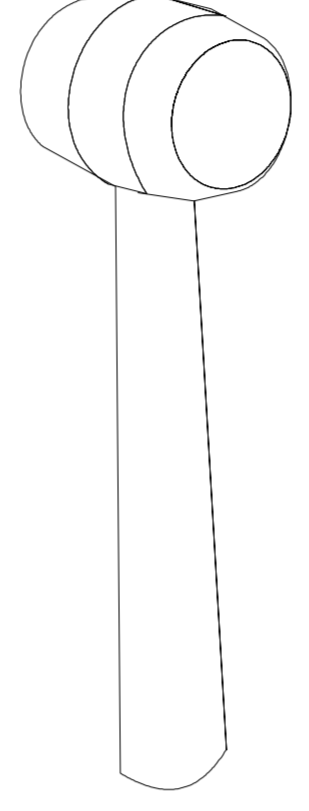


# INSTALLATION MANUAL



**NOTE: Installation Requires 2 People**

## Tools and Materials

		 ∅ 3.2mm 16 / 127" ∅ 6mm 30 / 127"		
<b>Cutting Plier</b>	<b>Tape Measure</b>	<b>Drill</b>	<b>Caulk Gun</b>	<b>Screwdriver</b>
				
<b>Level</b>	<b>Pencil</b>	<b>Mallet</b>		

## Before You Begin

- ⚠ **CAUTION:** Risk of injury. Always wear safety glasses when cutting or drilling.
- ⚠ **CAUTION:** Risk of injury or product damage. Tempered glass cannot be cut.
  - Before starting the installation, lay out and identify the parts. Inspect them for damage.
  - The bath/shower or receptor should be installed/prepared at this time, including finished wall materials.

## Installation on Tiled Surfaces

If your shower door will be installed over tiles, ensure the tiles are fully laid beneath the door frame.

## Shower Door Care

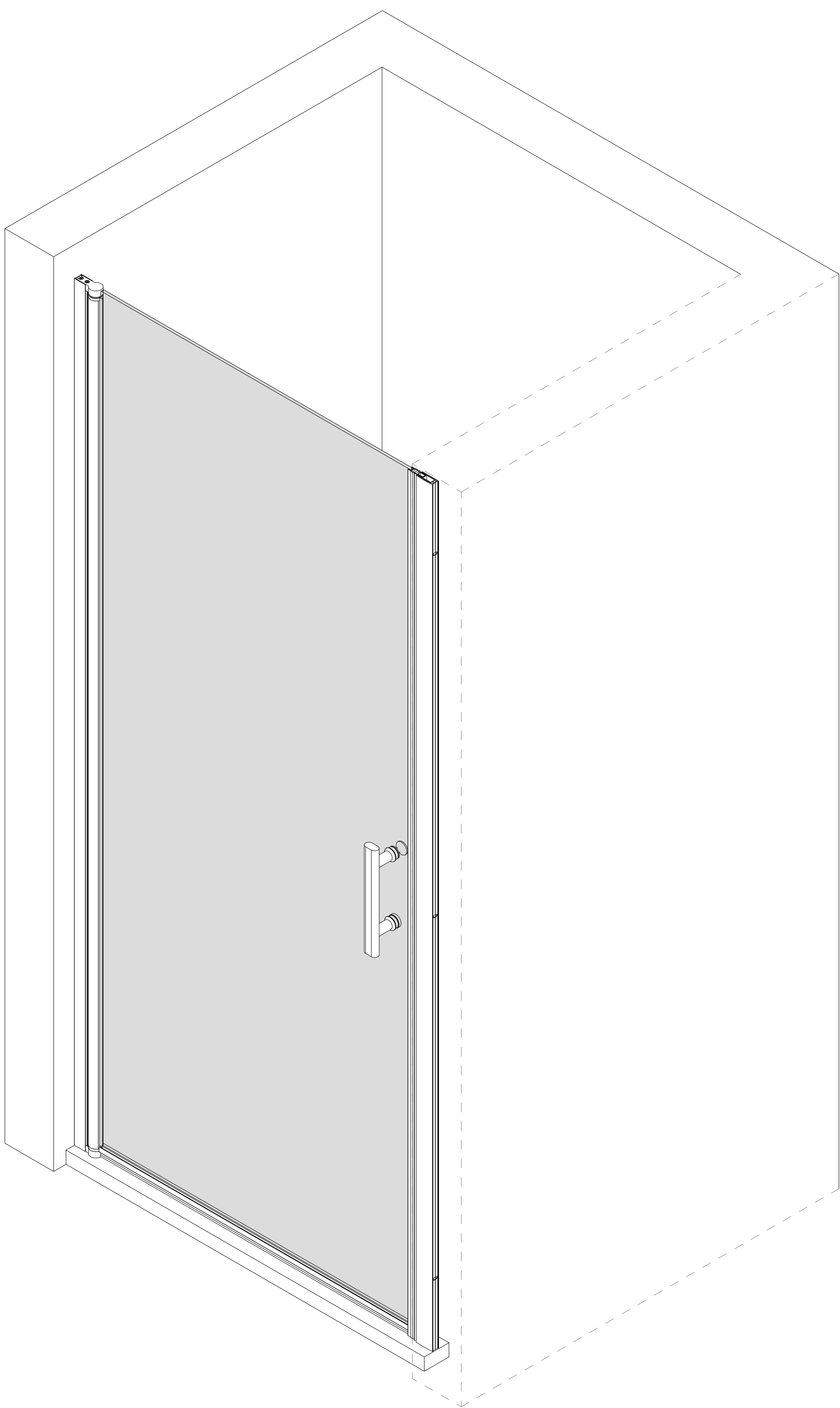
Do not use abrasive pads or sharp tools on any metal parts or glass surfaces.

To maintain a clean and like-new appearance, wipe with diluted mild soap and water.

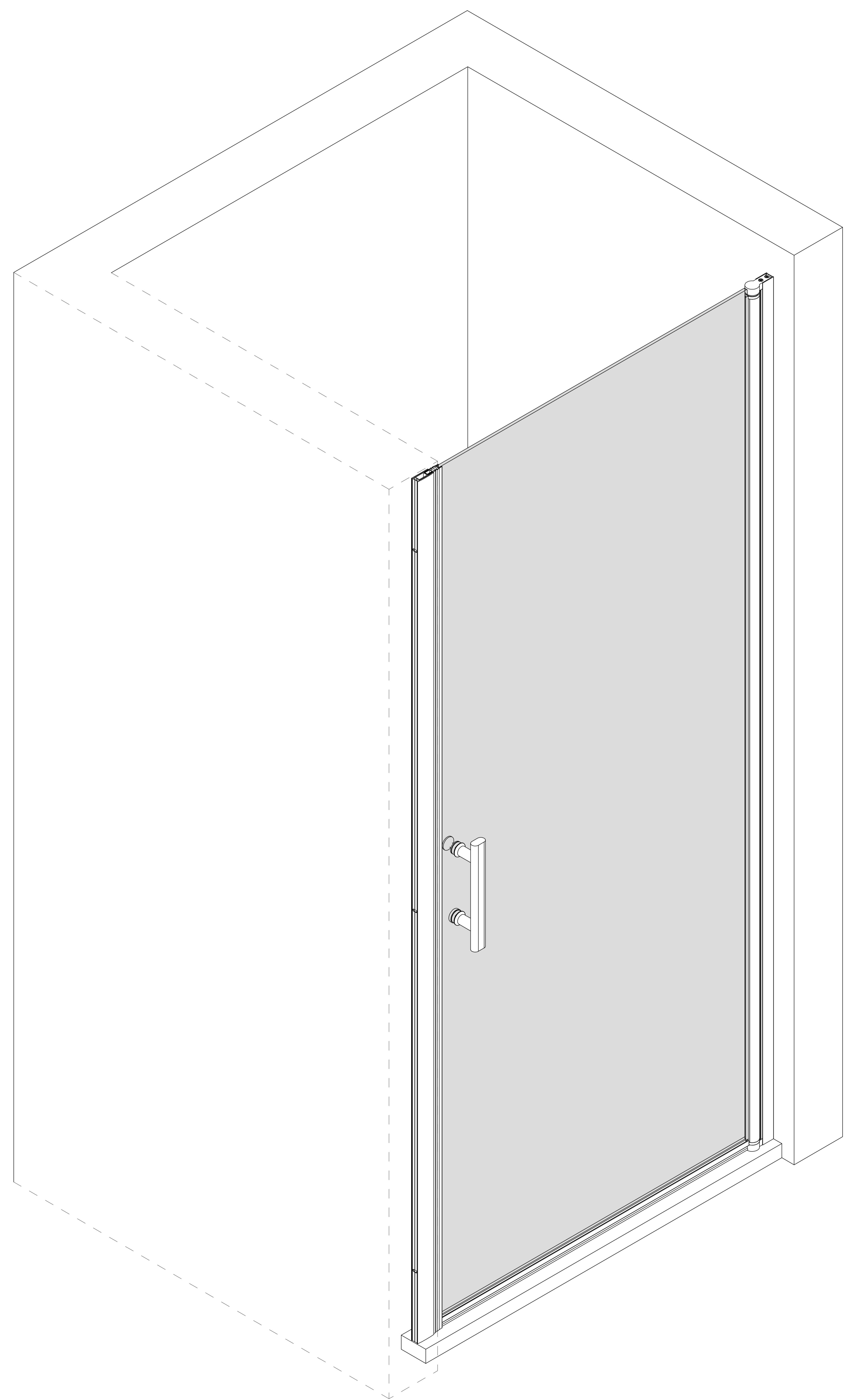
We recommend using a squeegee to dry the glass panels after each use.

# Overall Installation displaying

产品可反向安装，说明书为  
左开门，右开门方向请镜像安装.

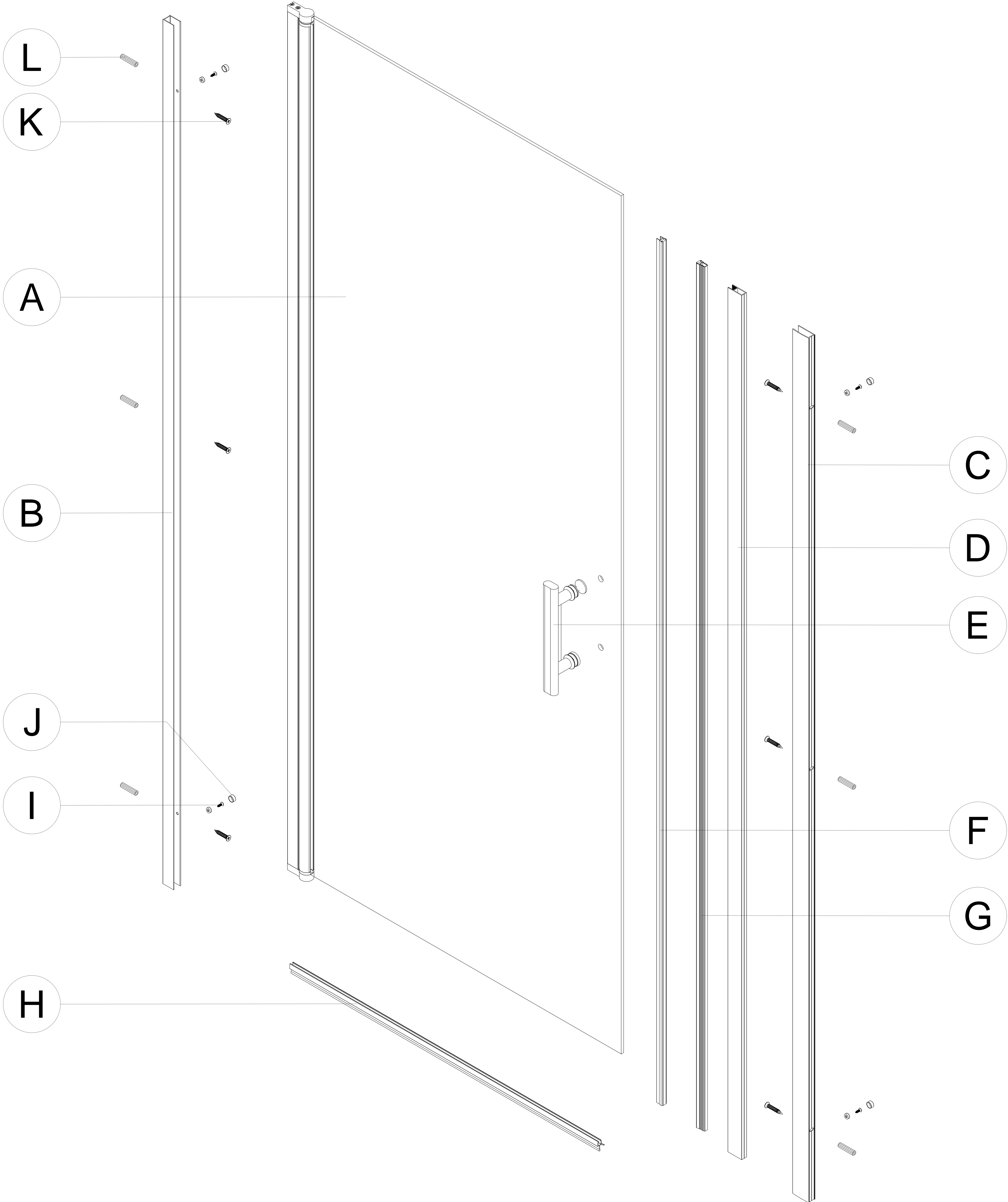


左开



右开

# Detailed Diagram of Shower Door Components

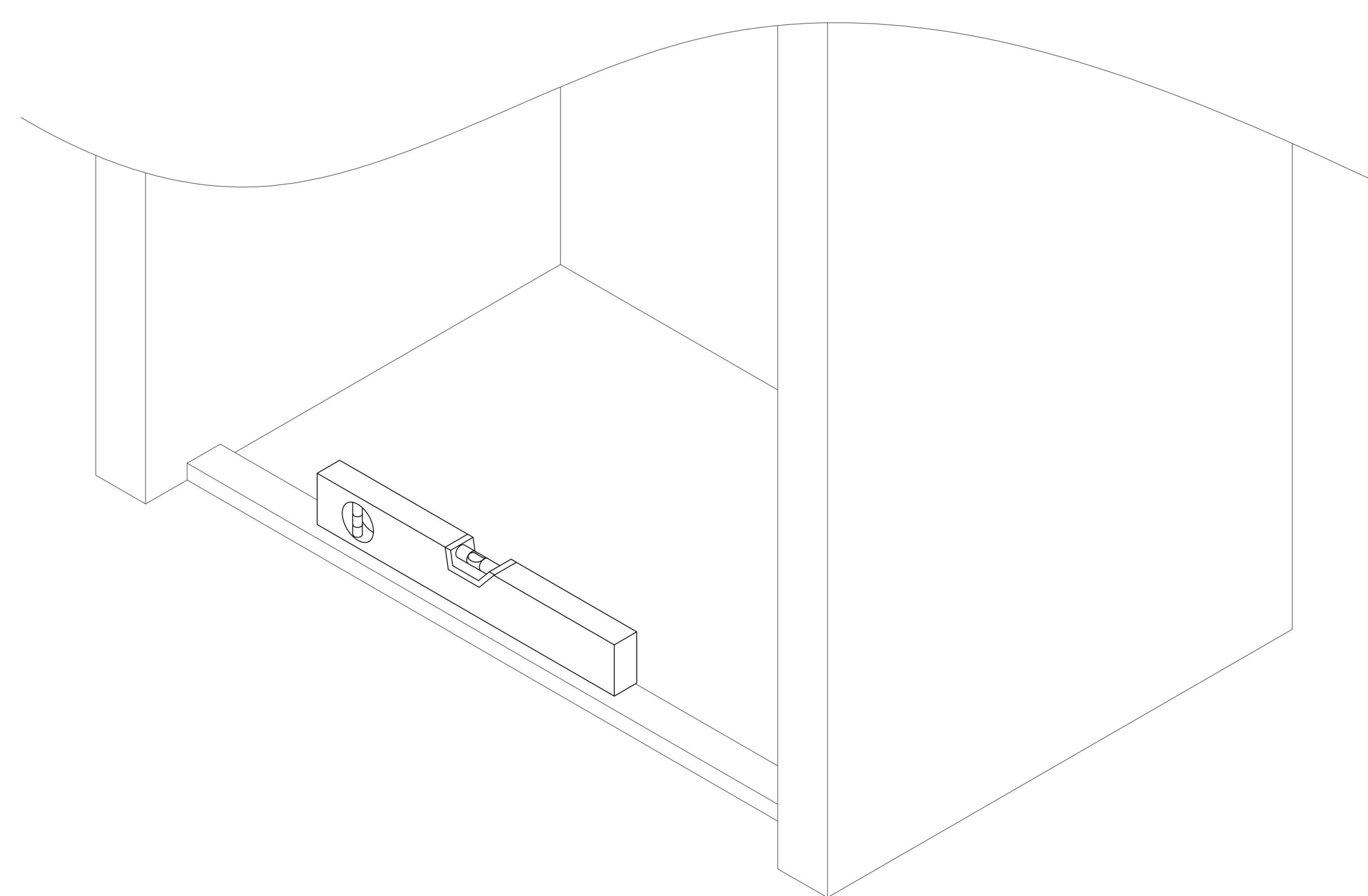


# Parts And Hardware Listing

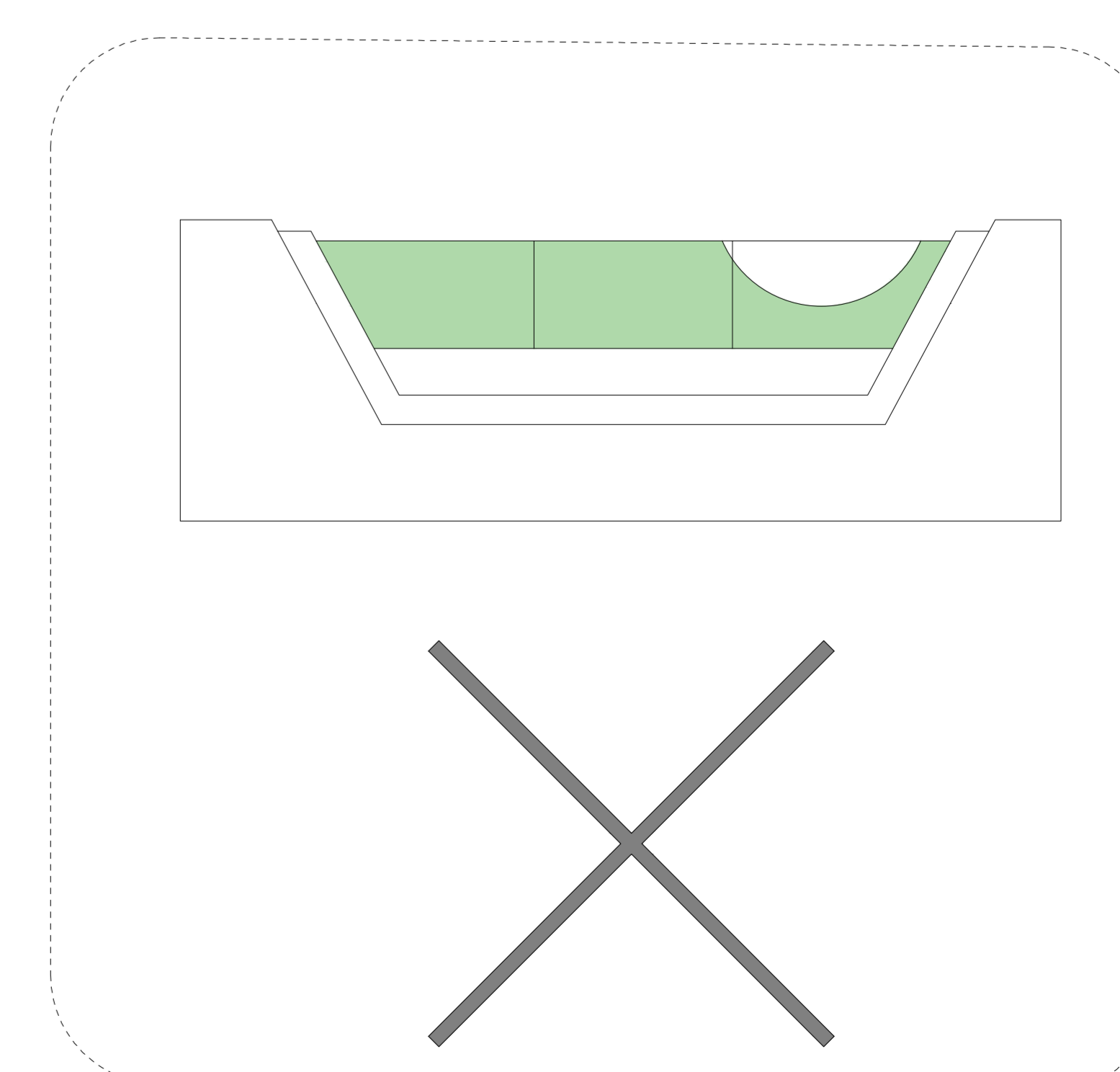
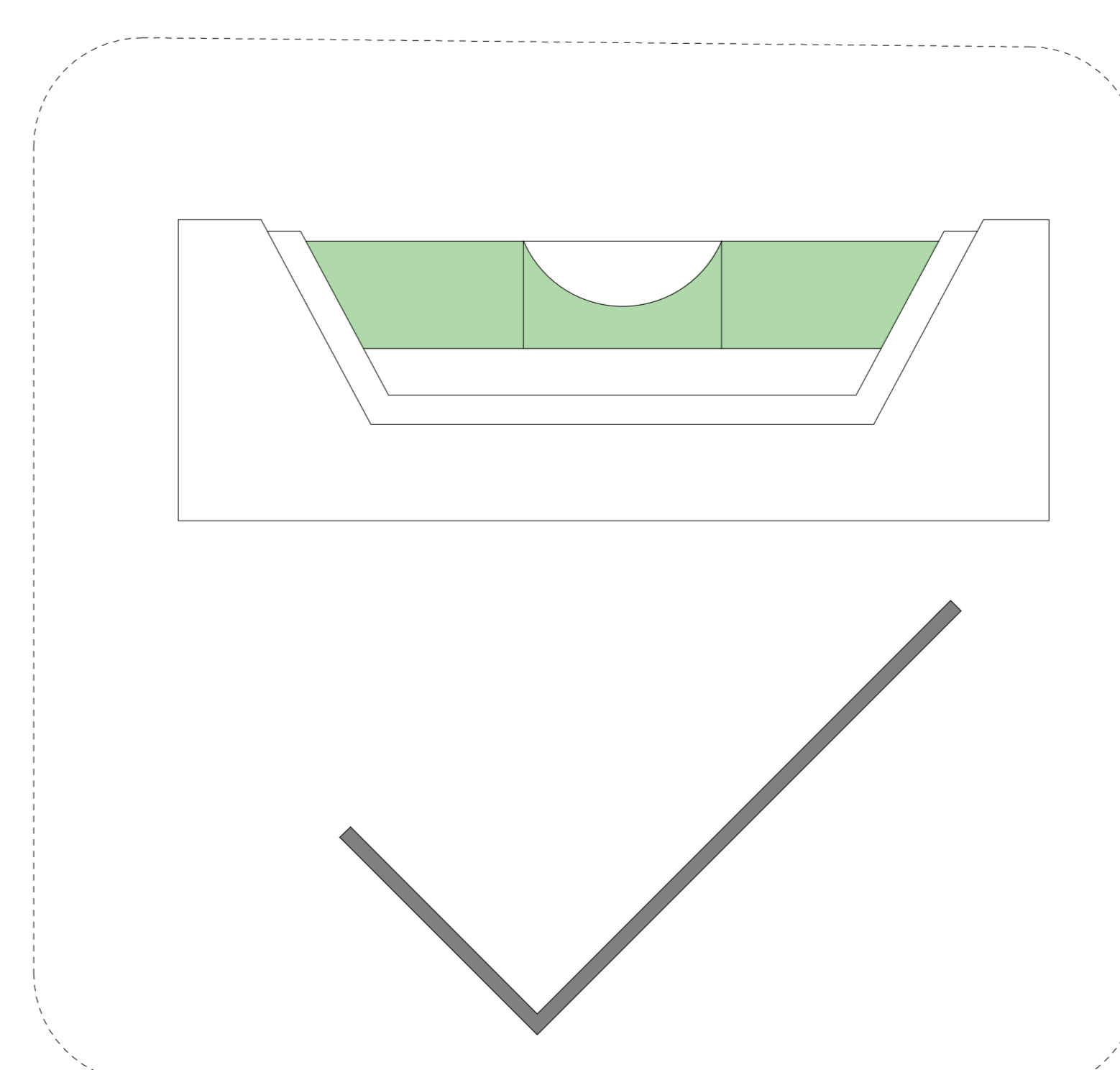
ITEM	NAME	QTY	PICTURE
(A)	活动玻璃门	1	
(B)	转轴边墙料	1	
(C)	磁吸边墙料-A	1	
(D)	磁吸边墙料-B	1	
(E)	拉手	1	
(F)	门玻磁条	1	
(G)	压入式磁条	1	
(H)	门下挡水胶条	1	
(I)	Fixing screws 4mm x 12mm	4	
(J)	D01 Screw decorative cap	4	
(K)	Fixing screws 5mm x 40mm	6	
(L)	Hollow wall plugs 7mm x 30mm	6	

## STEP 1

### 测量现场安装情况并调整

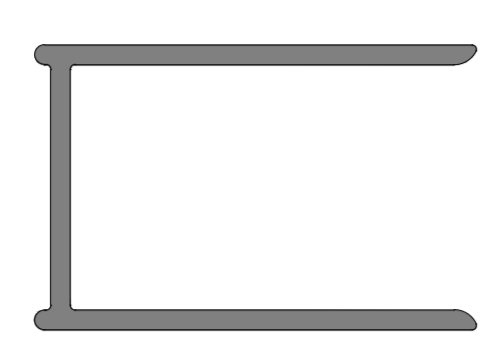
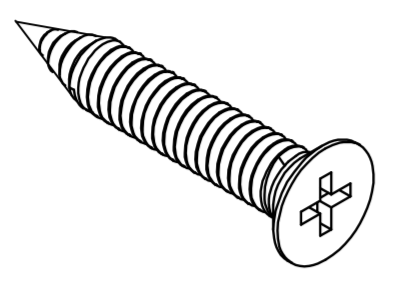
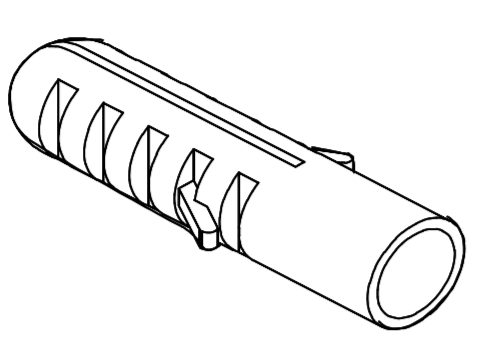


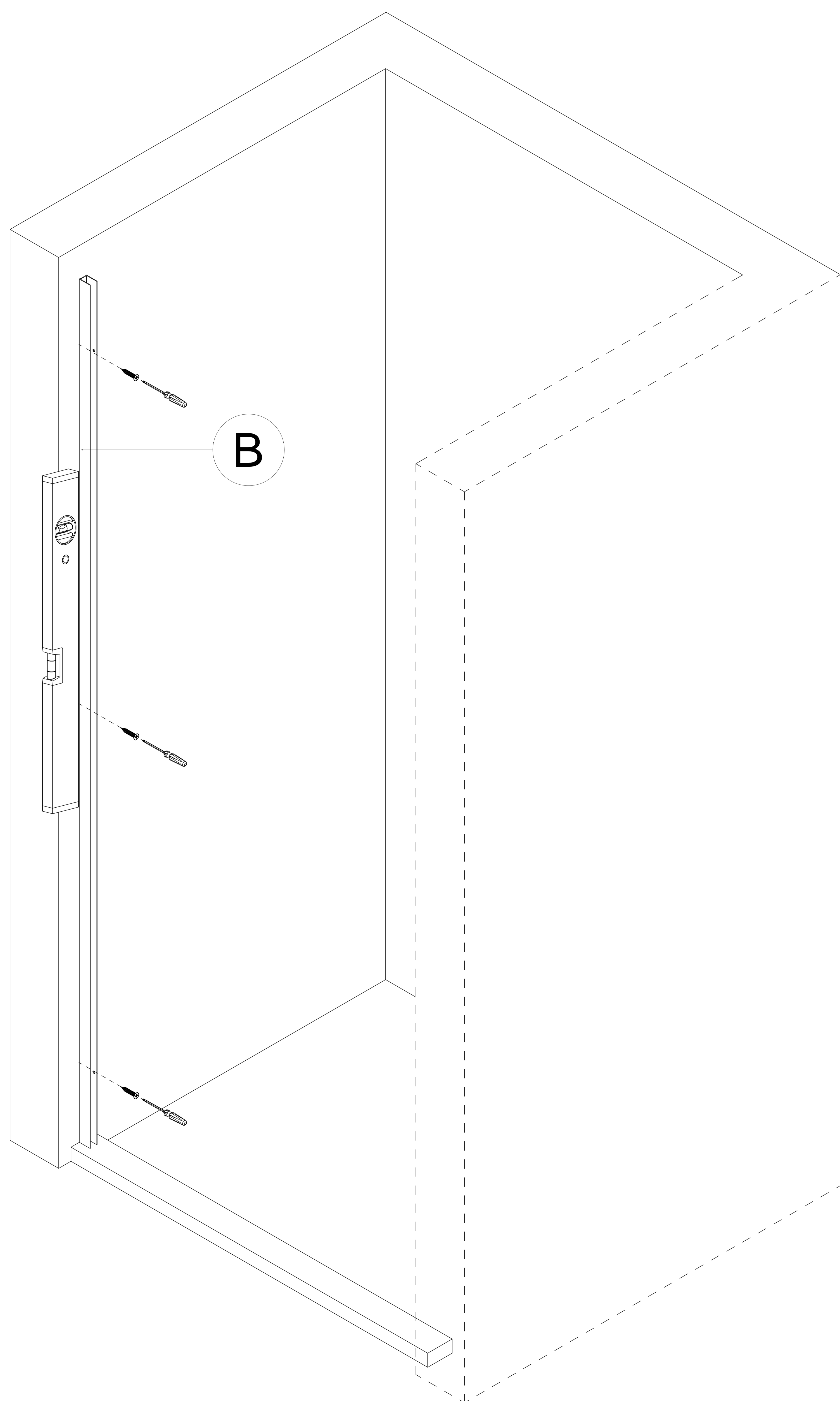
The installation shown is based on plumb finished walls and a levelled Base. If these conditions are not met, please adjust accordingly.



# STEP 2

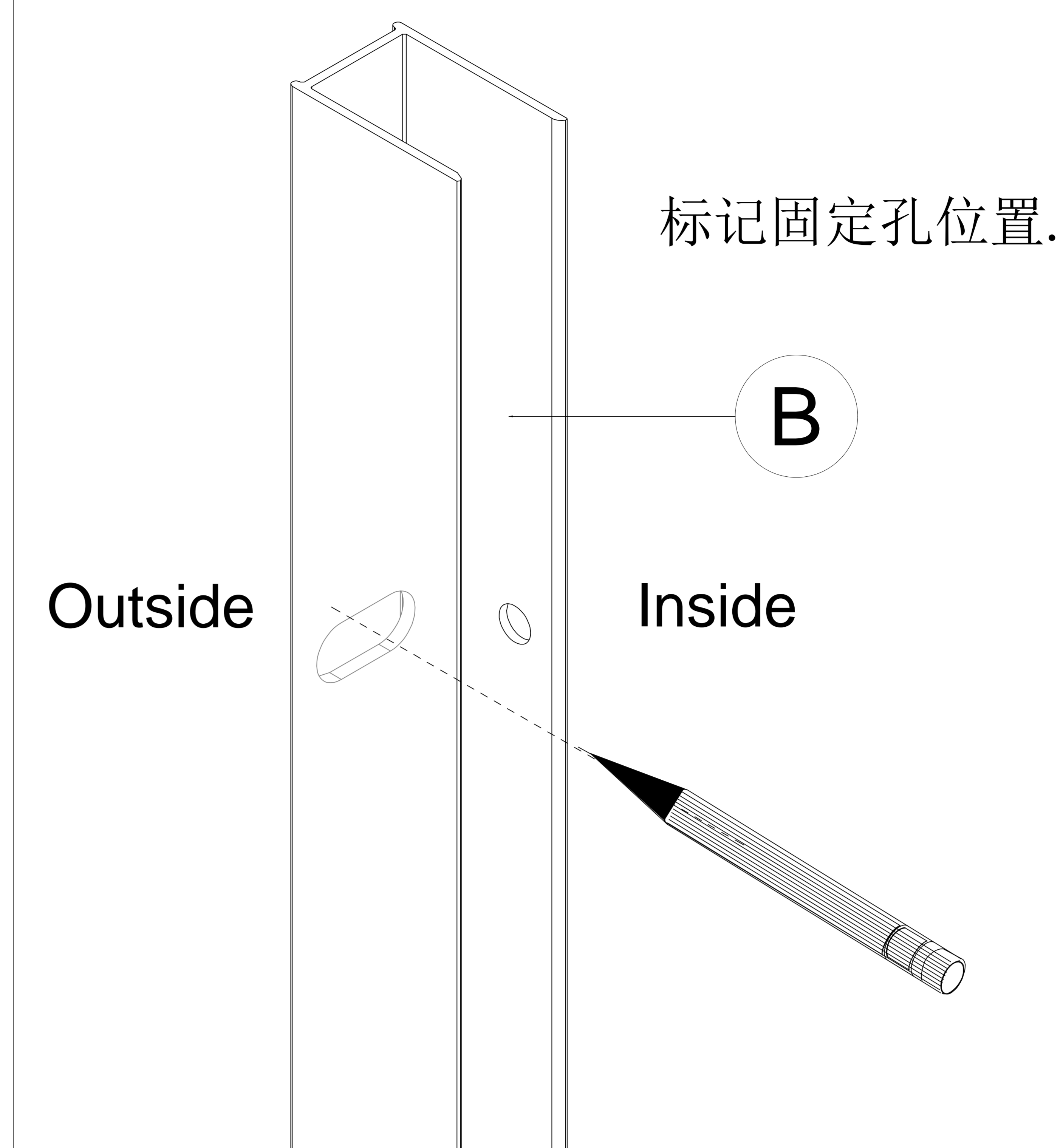
## 安装转轴边墙料

B		X1
K		X3
L		X3

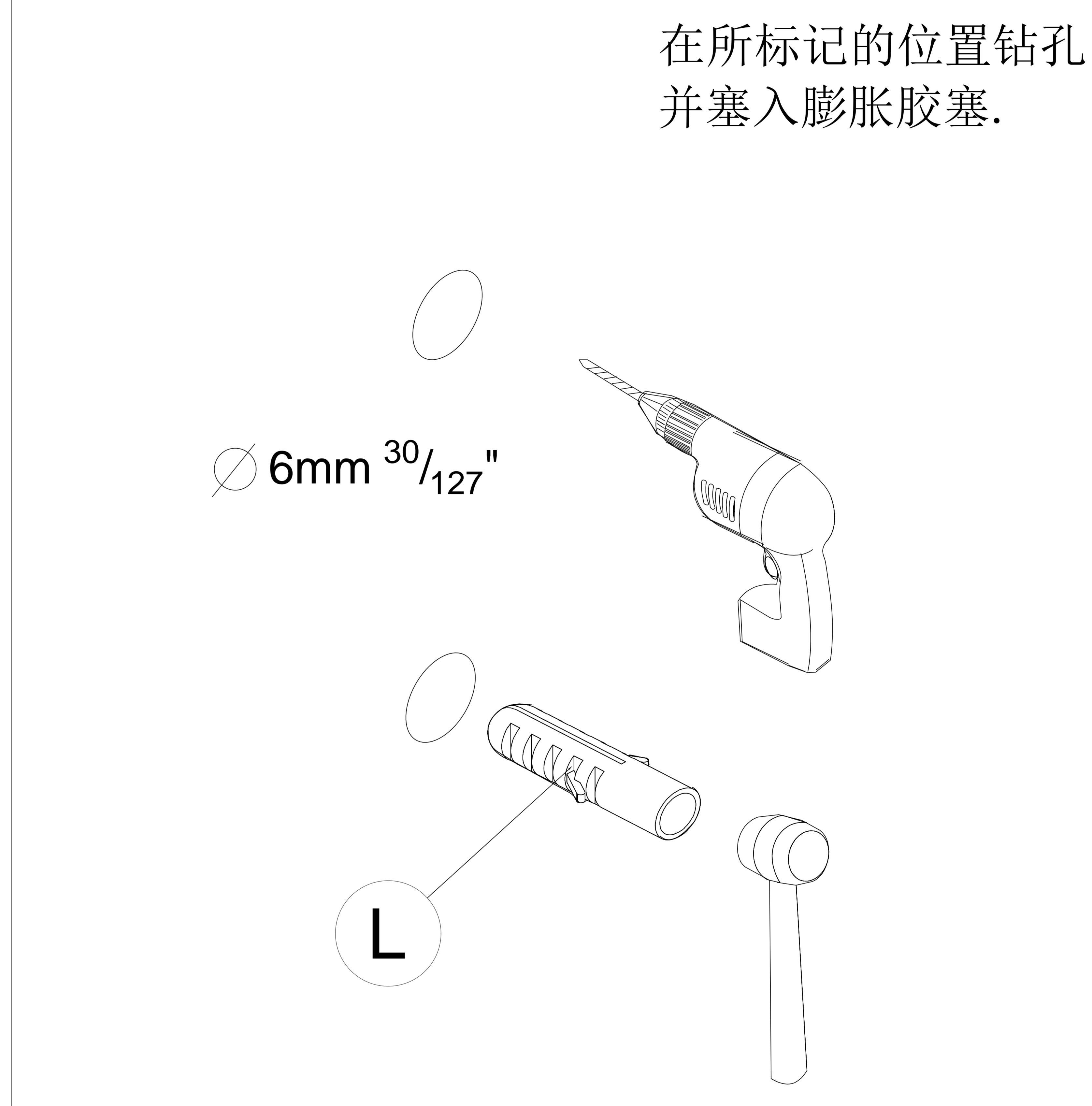


将转轴边墙料放置在安装位置，并保持水平垂直于地门和墙体。

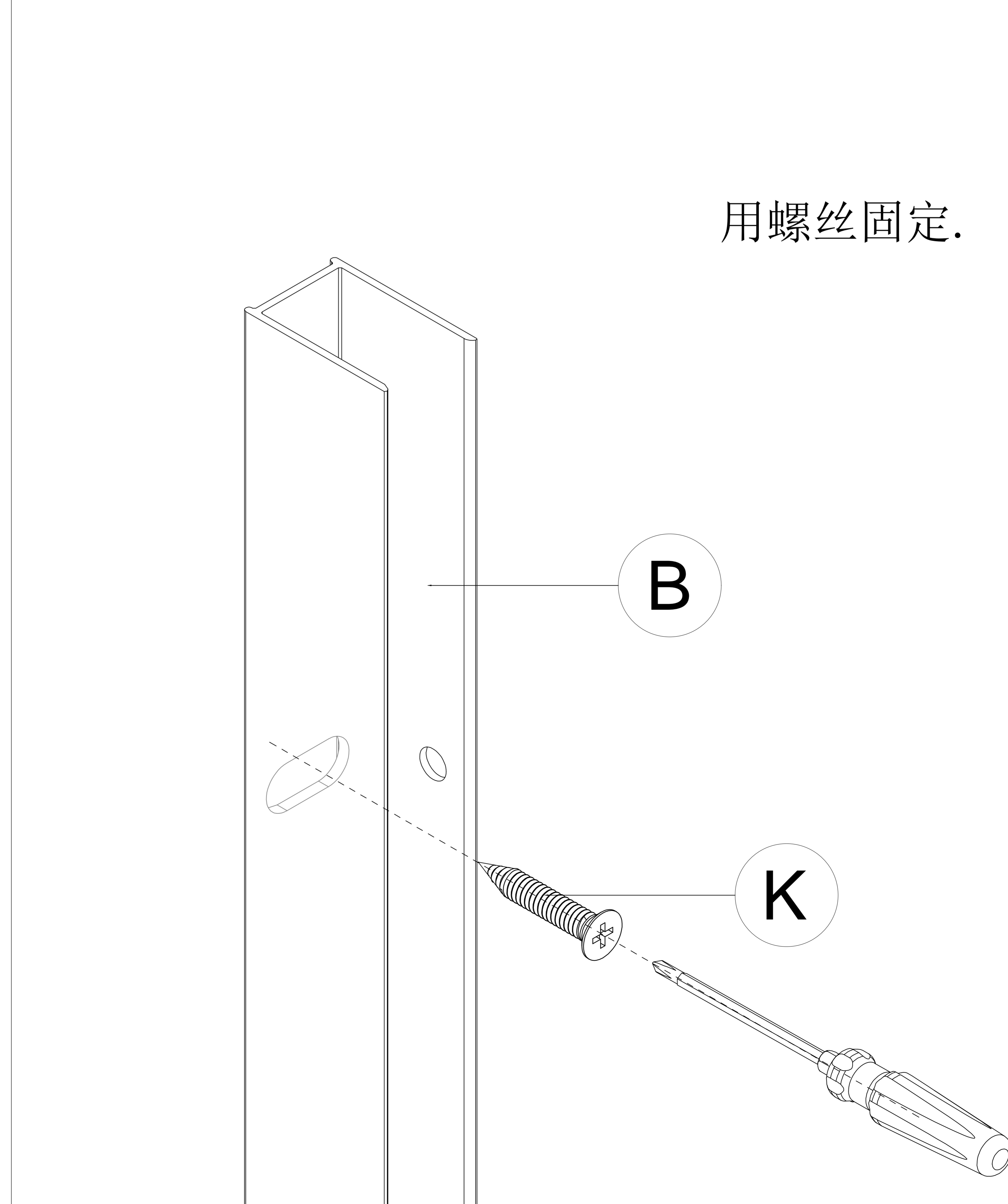
### 2-1



### 2-2



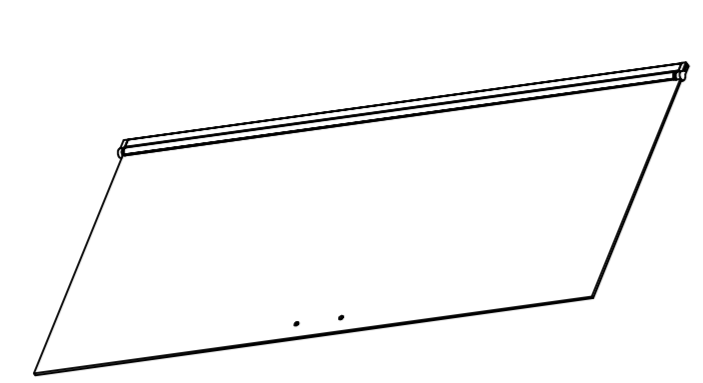
### 2-3



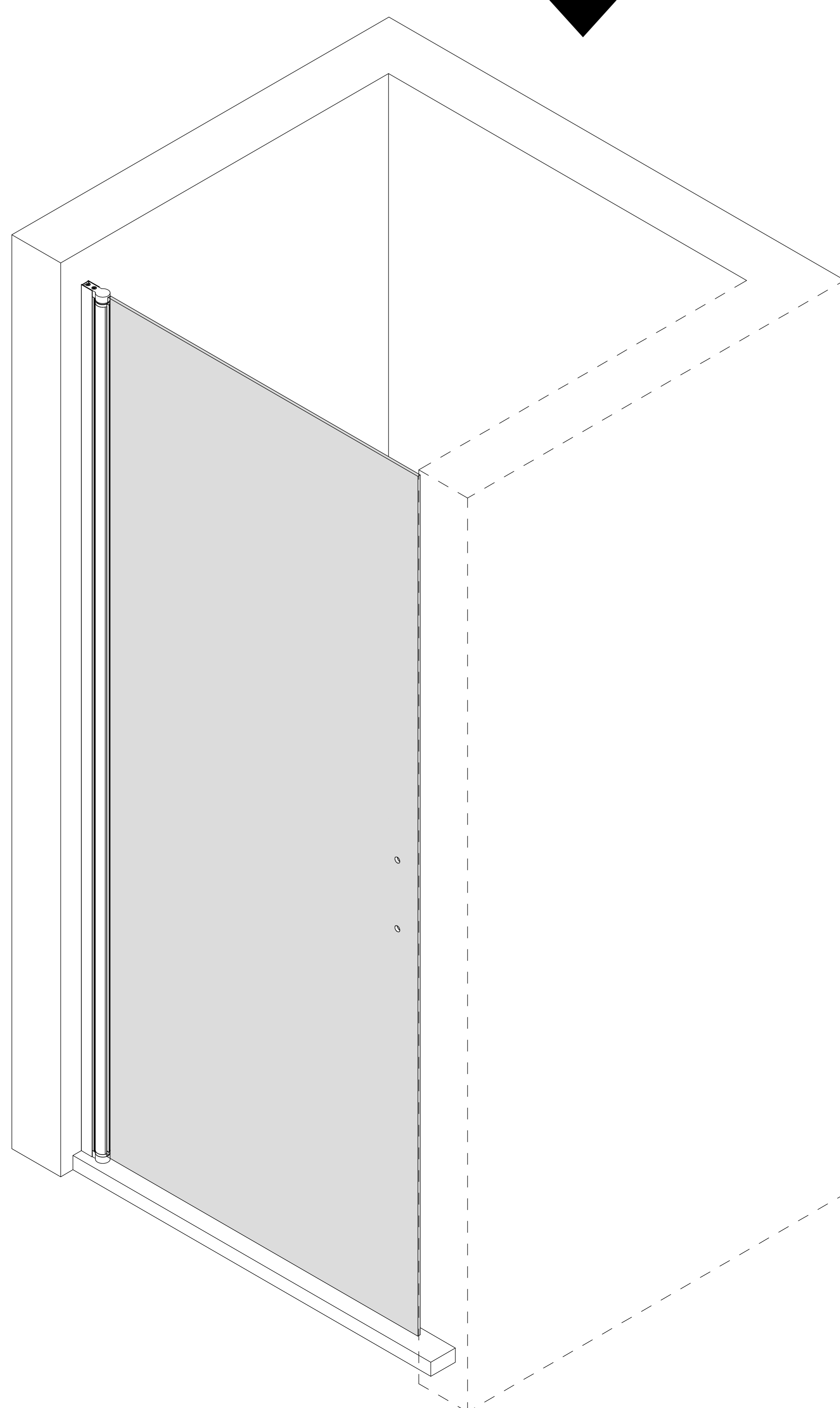
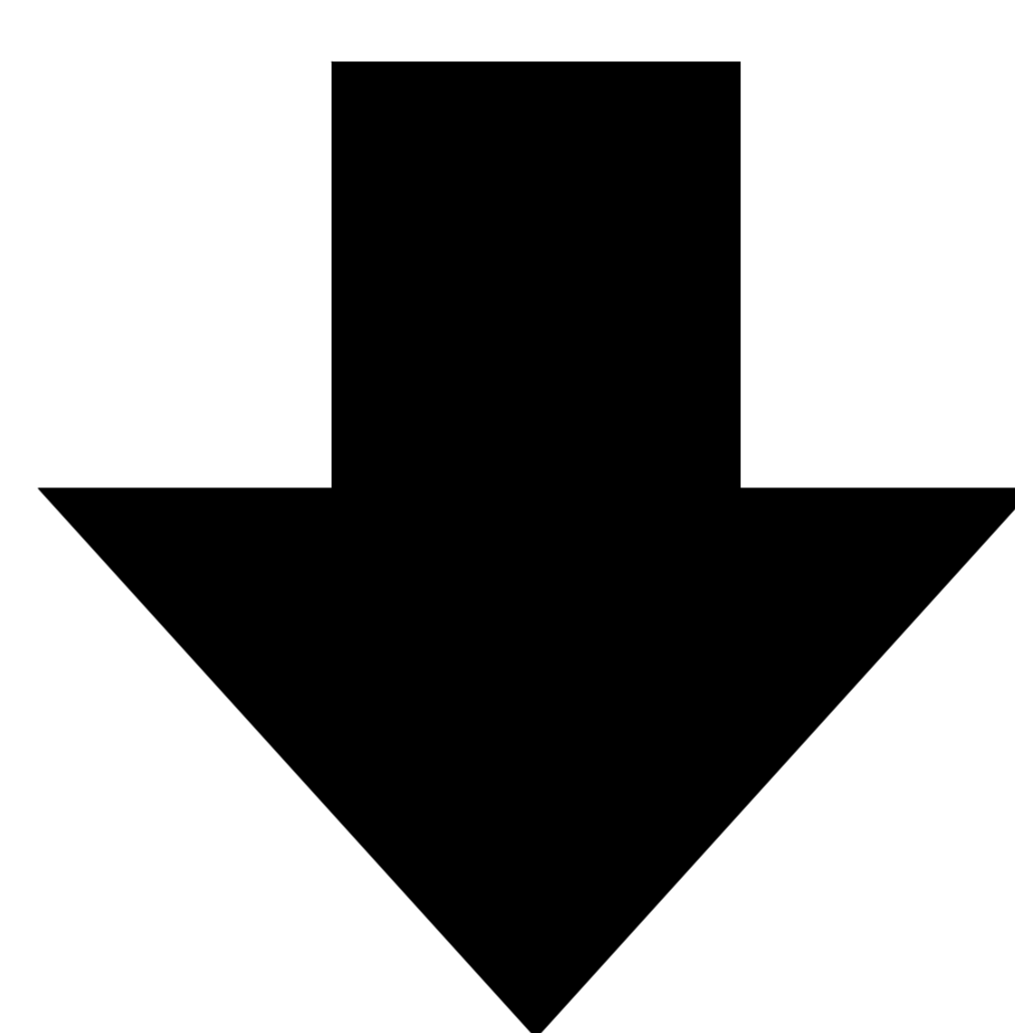
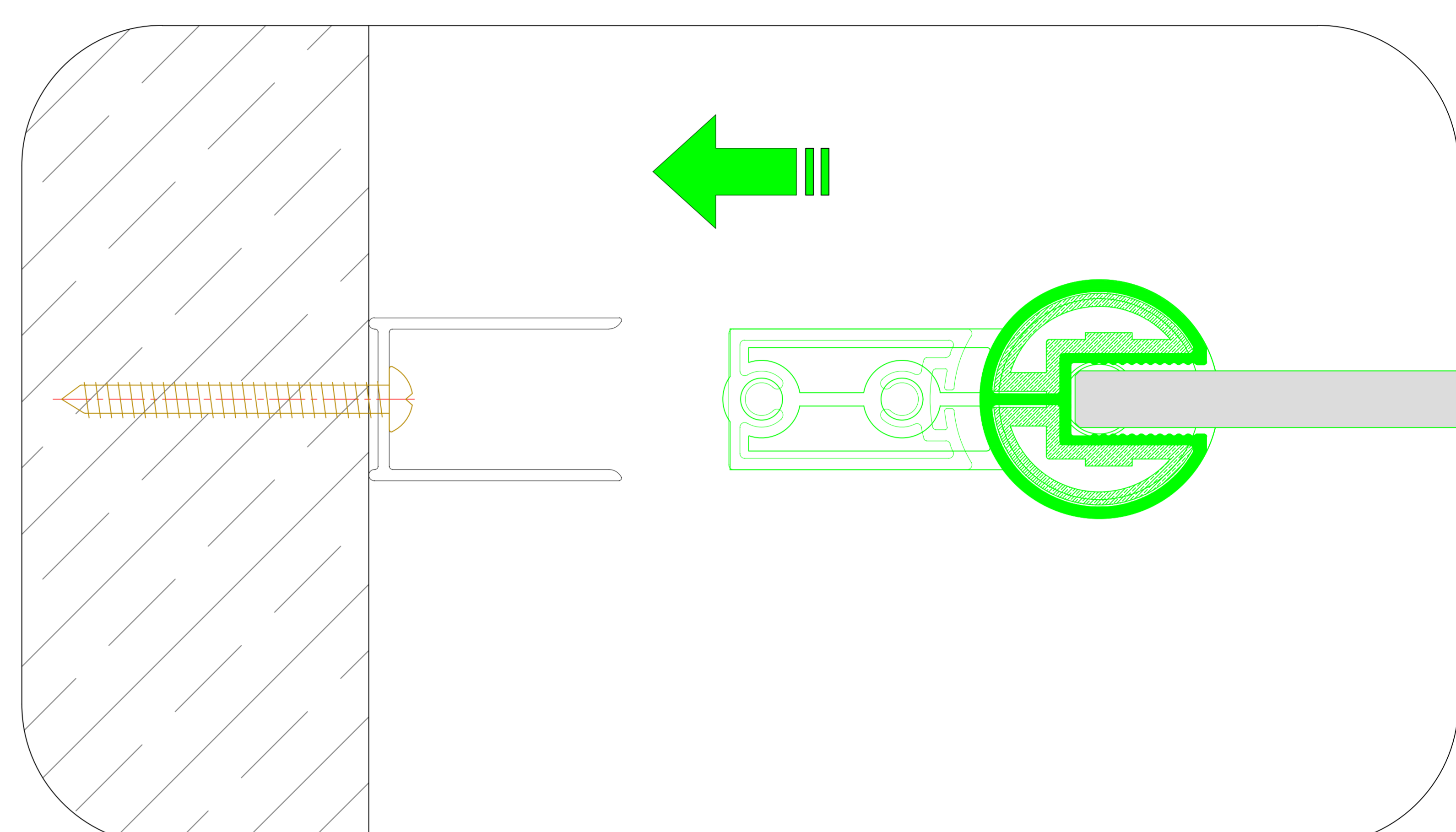
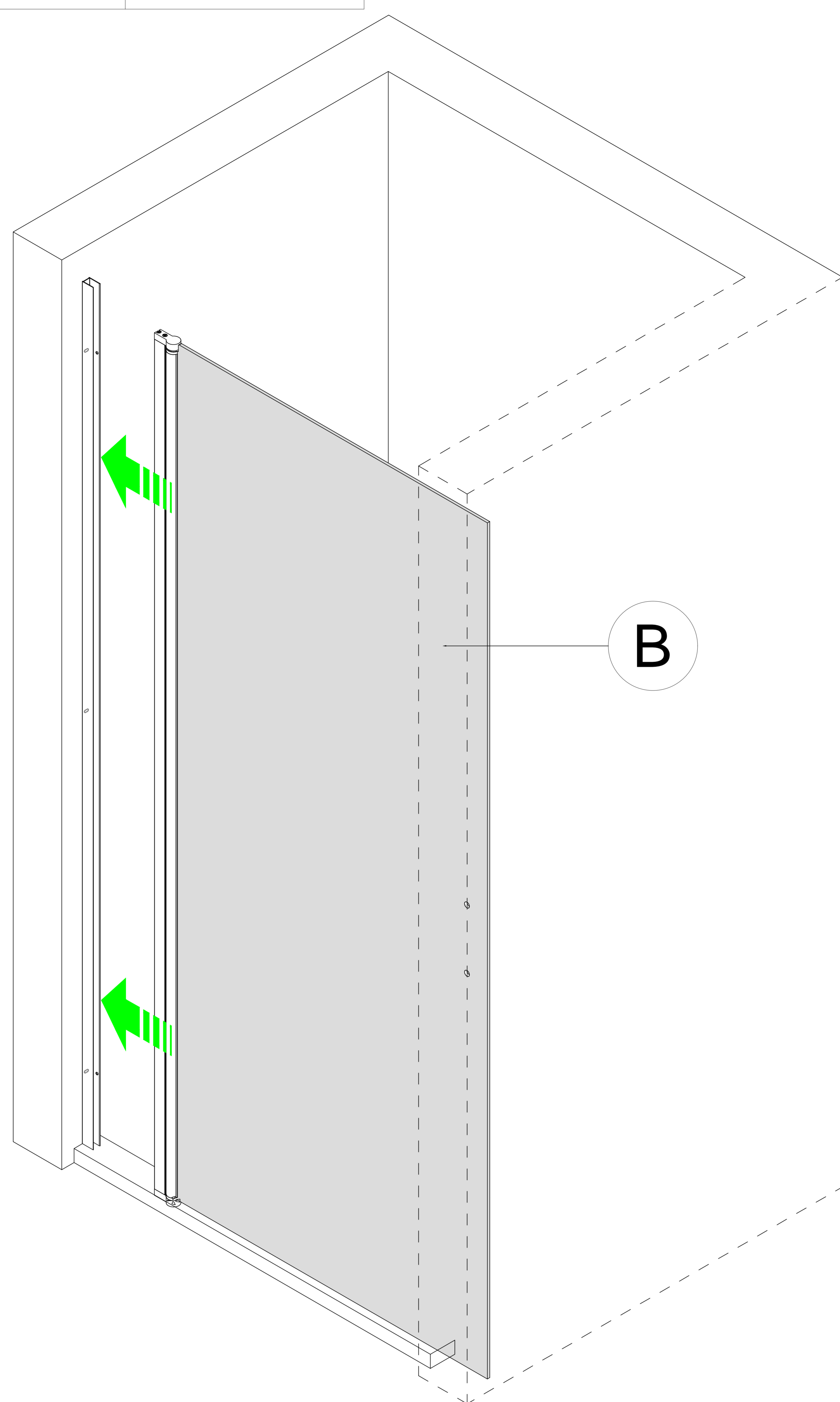
# STEP 3

## 安装活动玻璃门

B

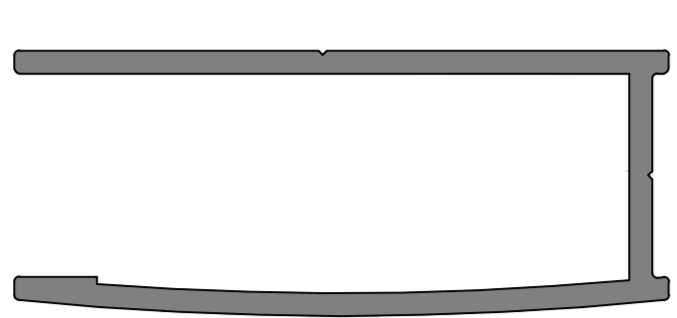
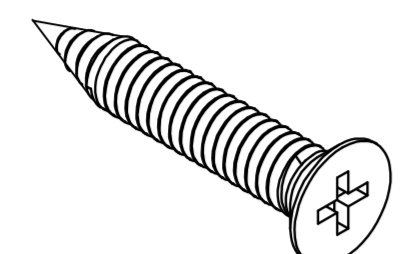
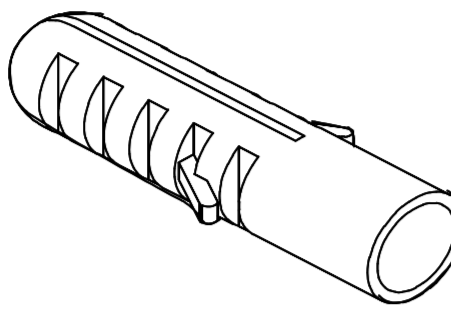


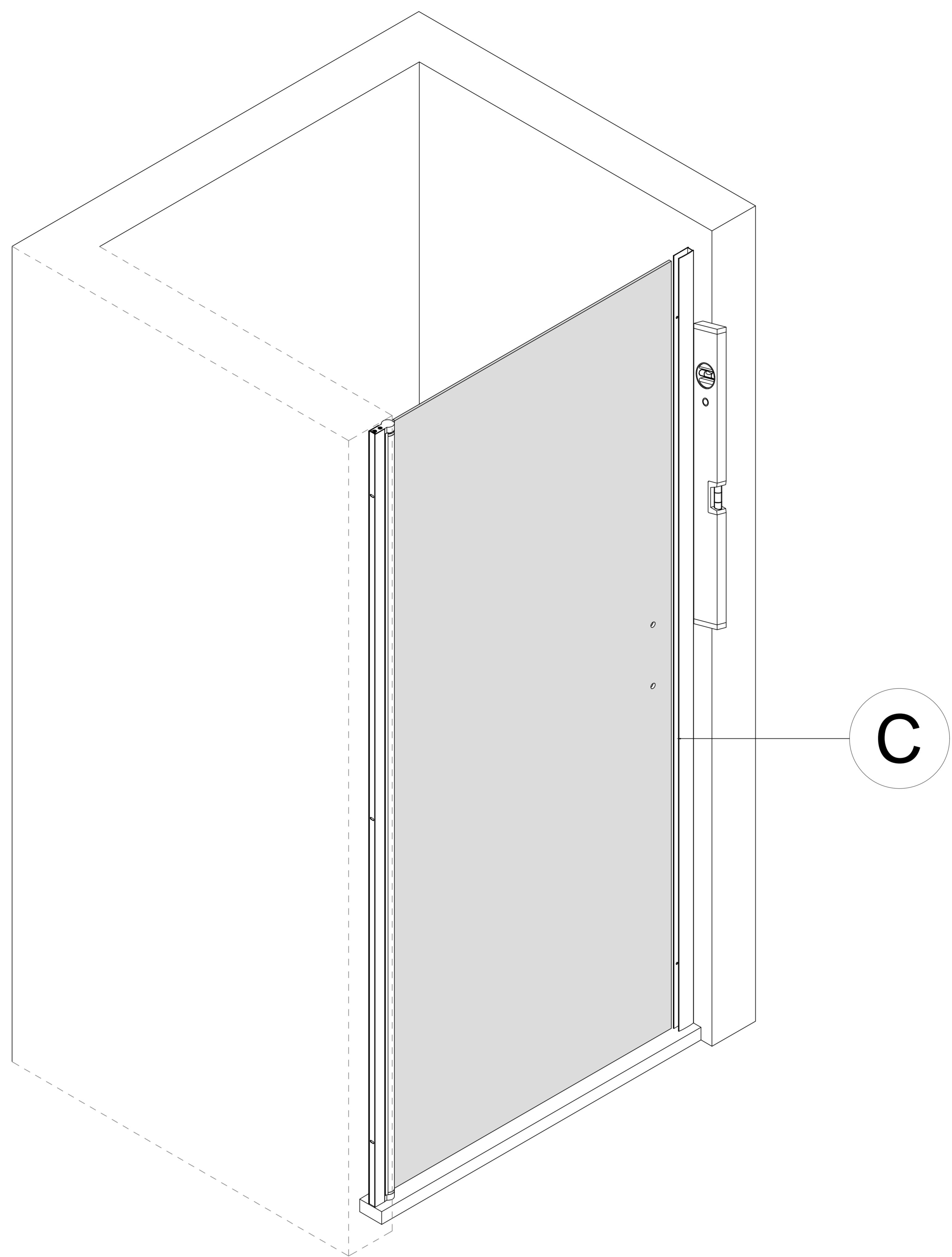
X1



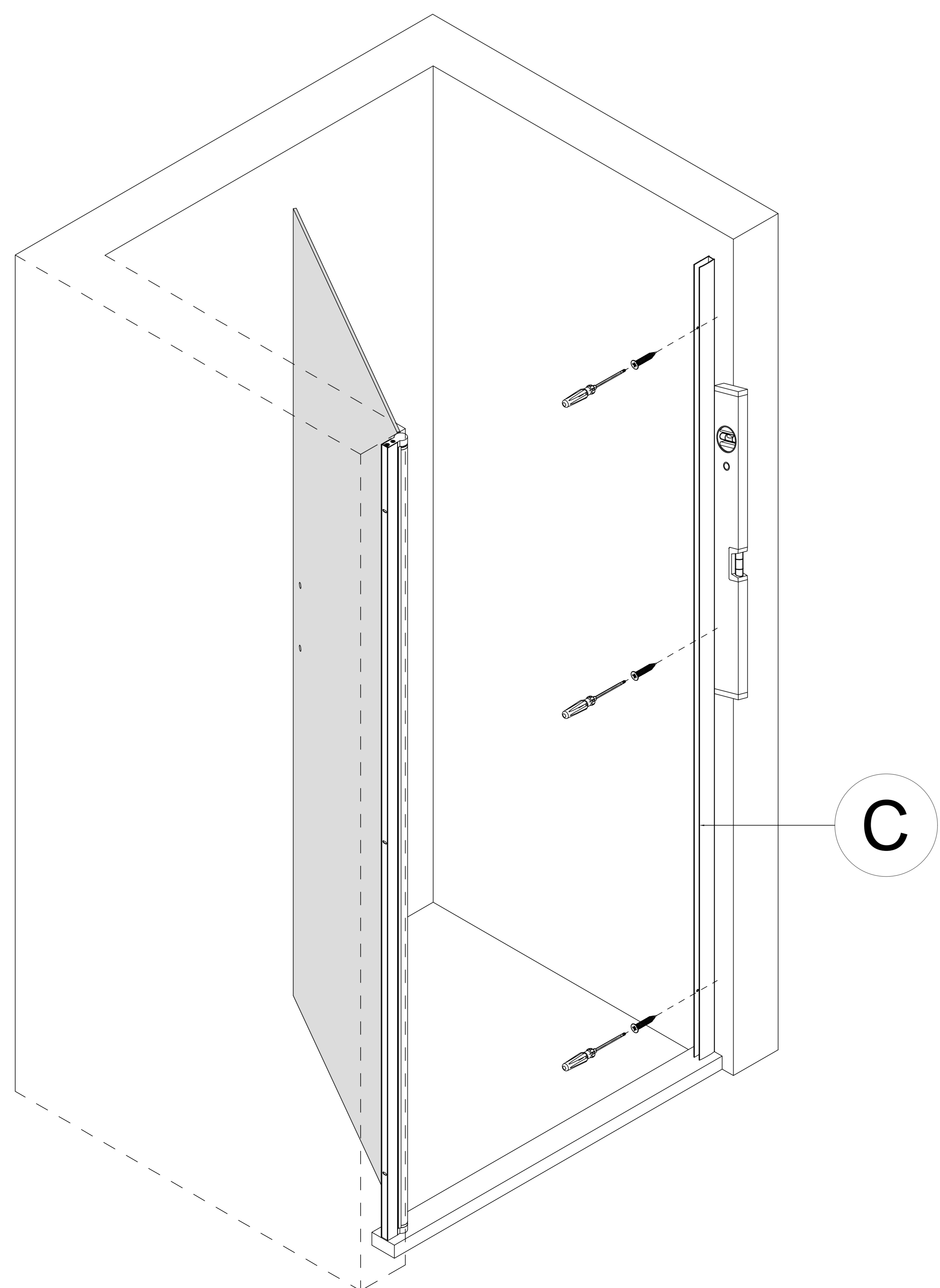
# STEP 4

## 安装磁吸边墙料A

C		X1
K		X3
L		X3

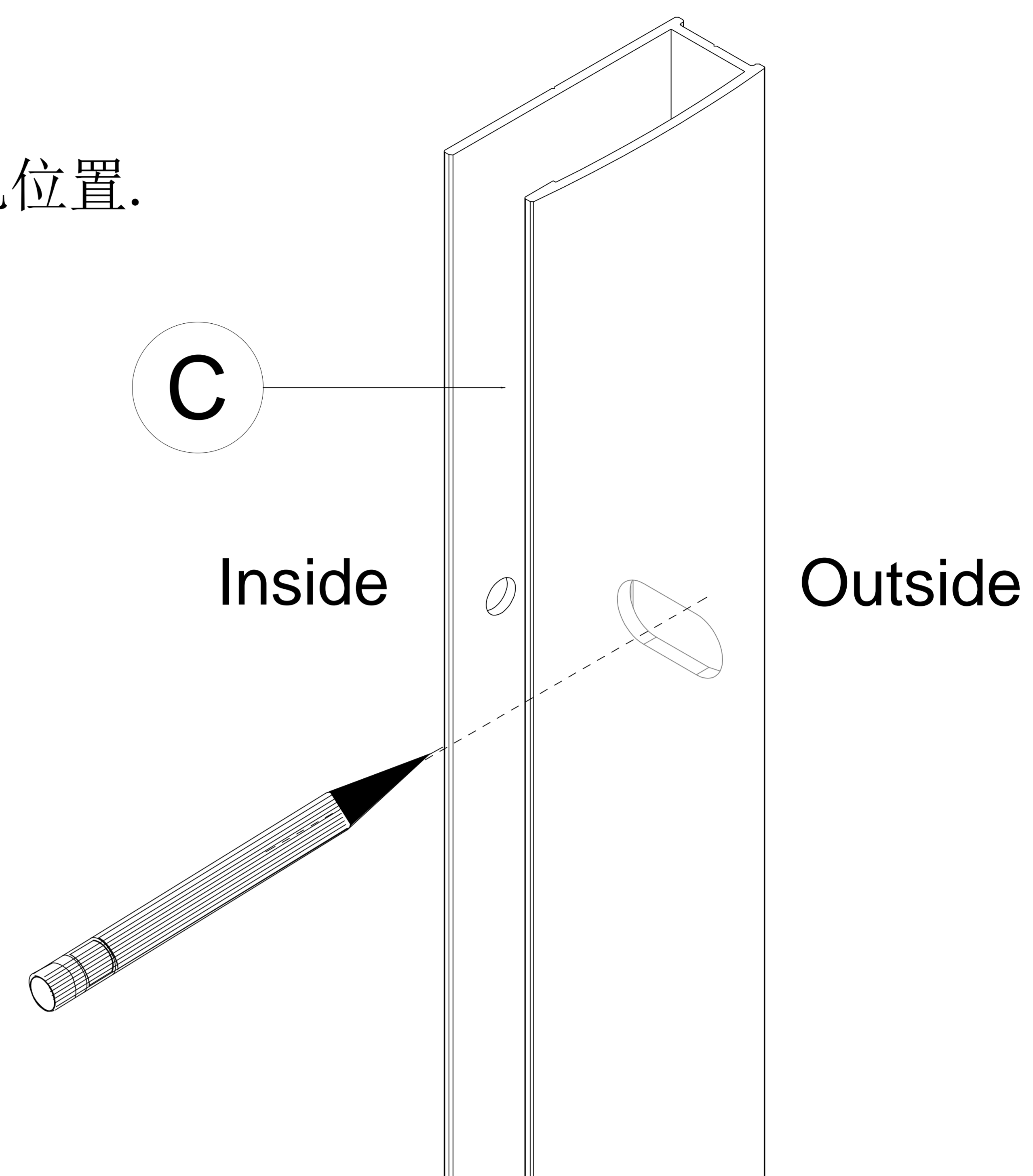


把磁条墙料-A放置在安装位置，与活动门平行，水平垂直于地面和墙体。



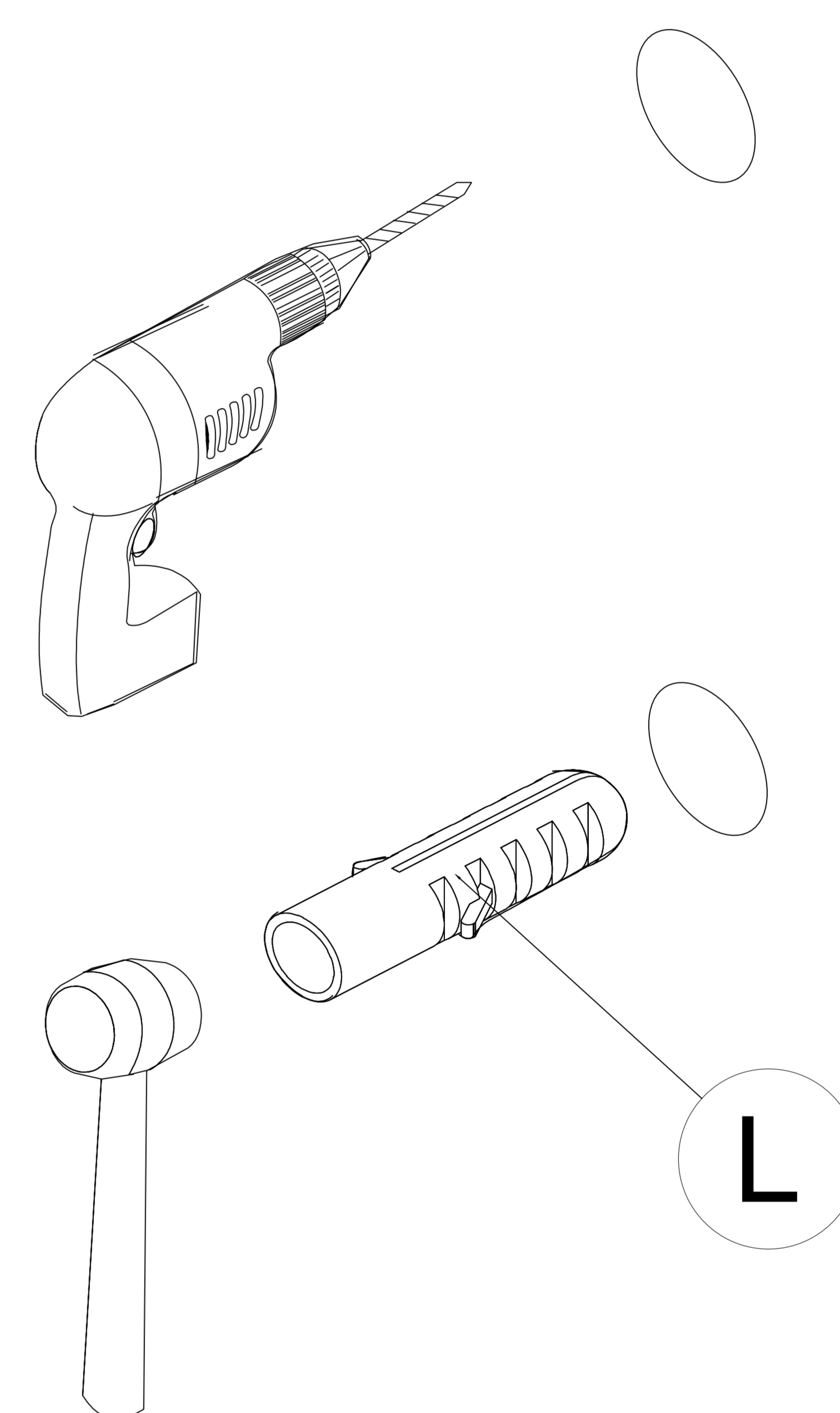
### 4-1

标记固定孔位置。



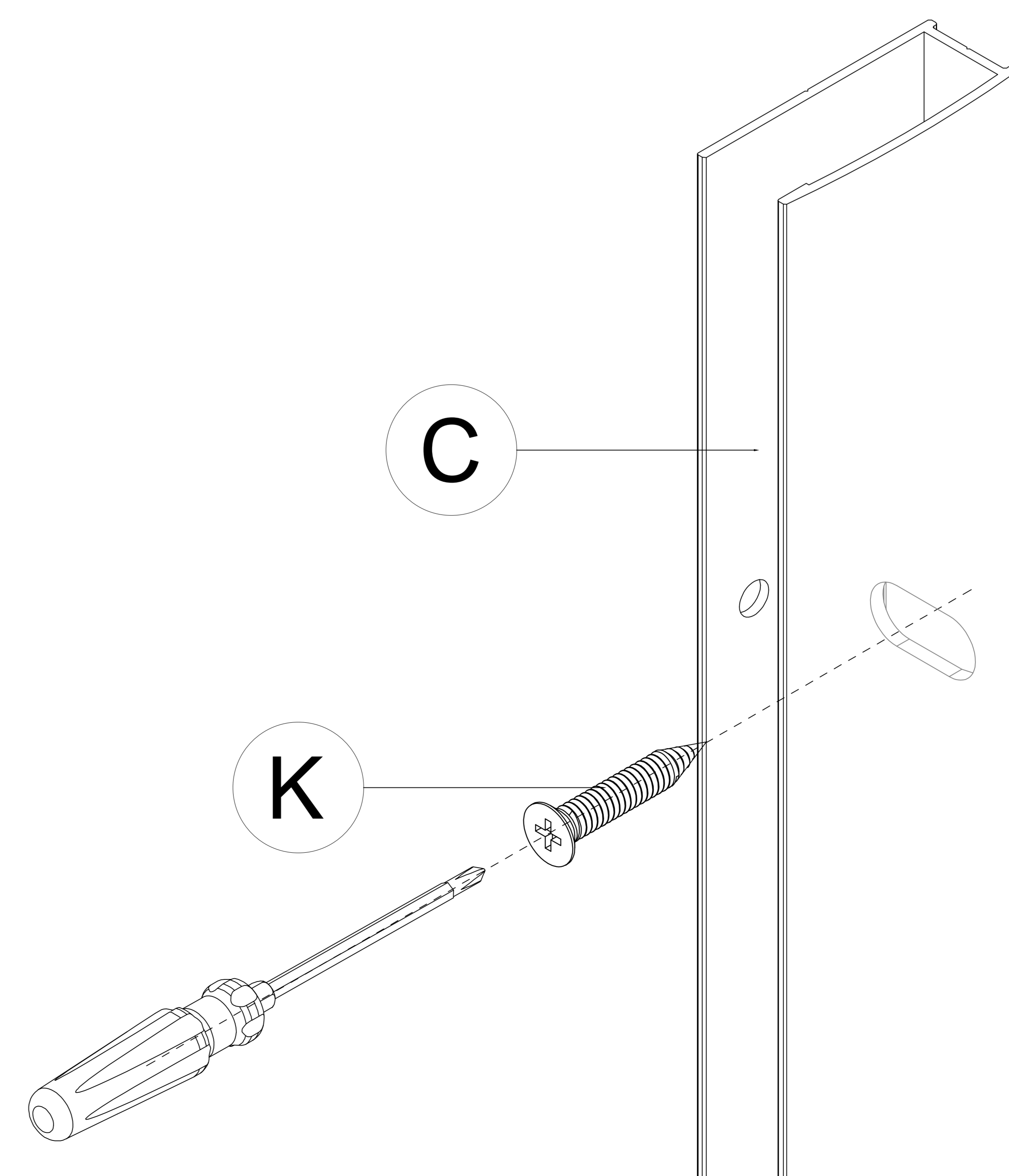
### 4-2

在所标记的位置钻孔并塞入膨胀胶塞。



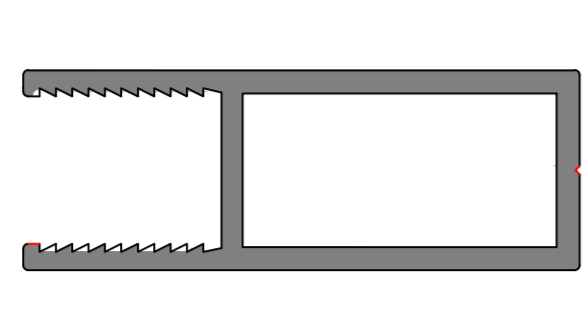
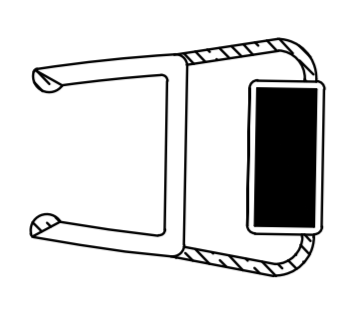
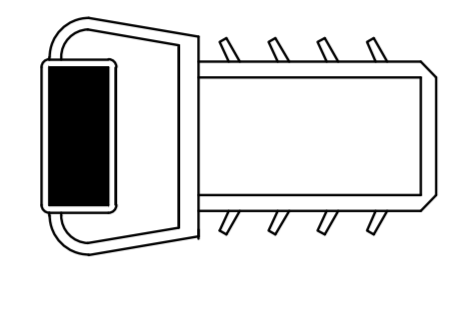
### 4-3

用螺丝固定。

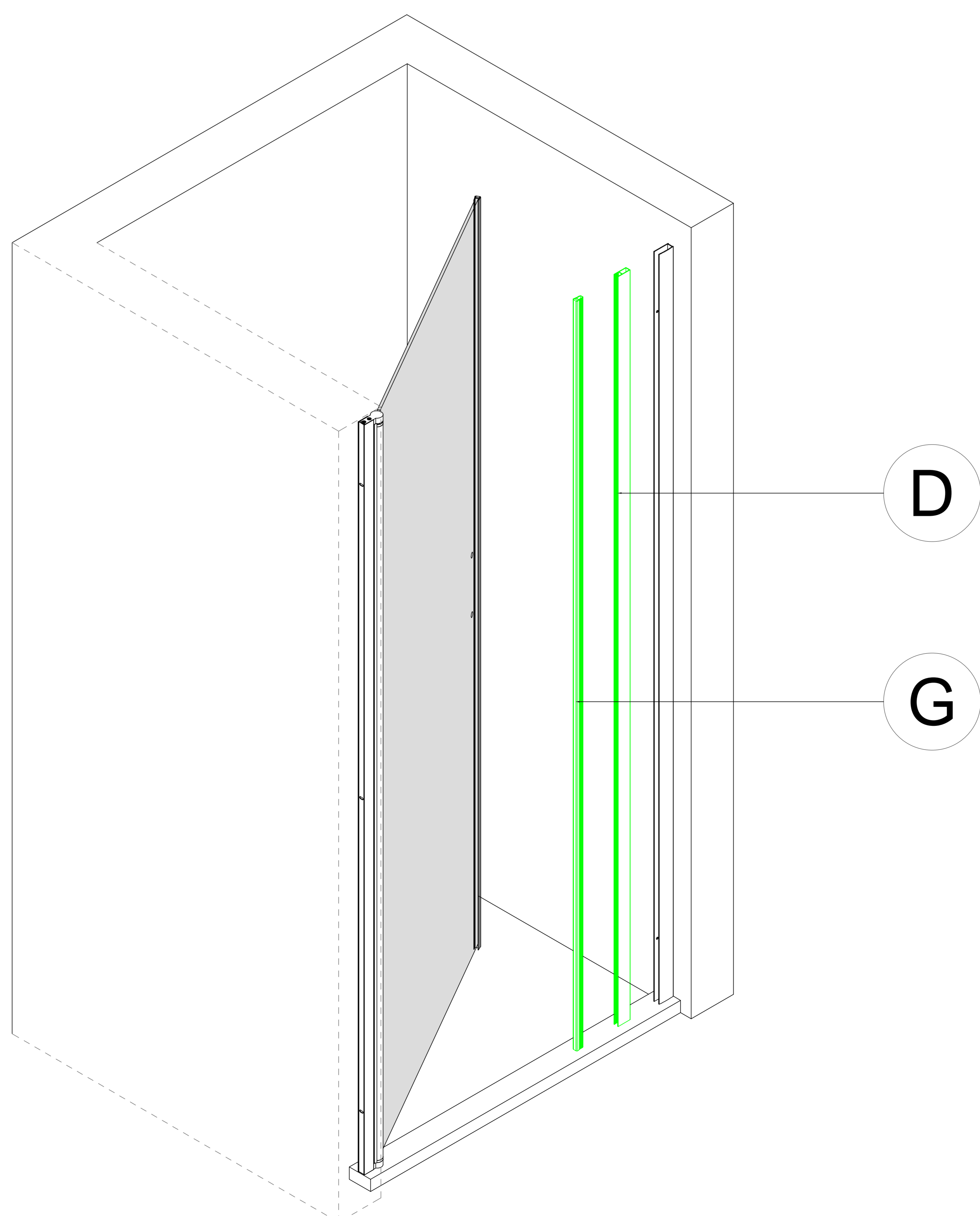
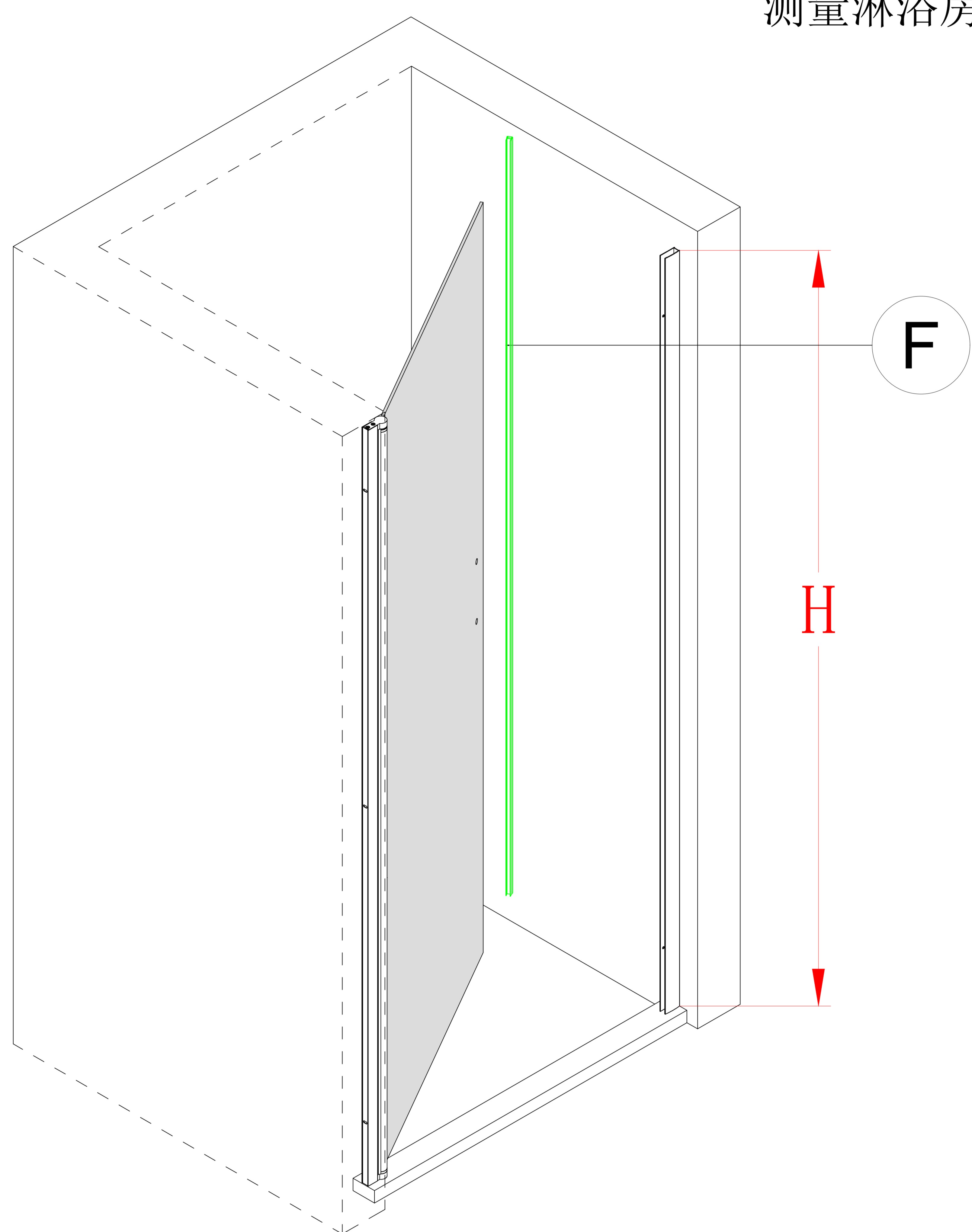


# STEP 5

## 安装磁条

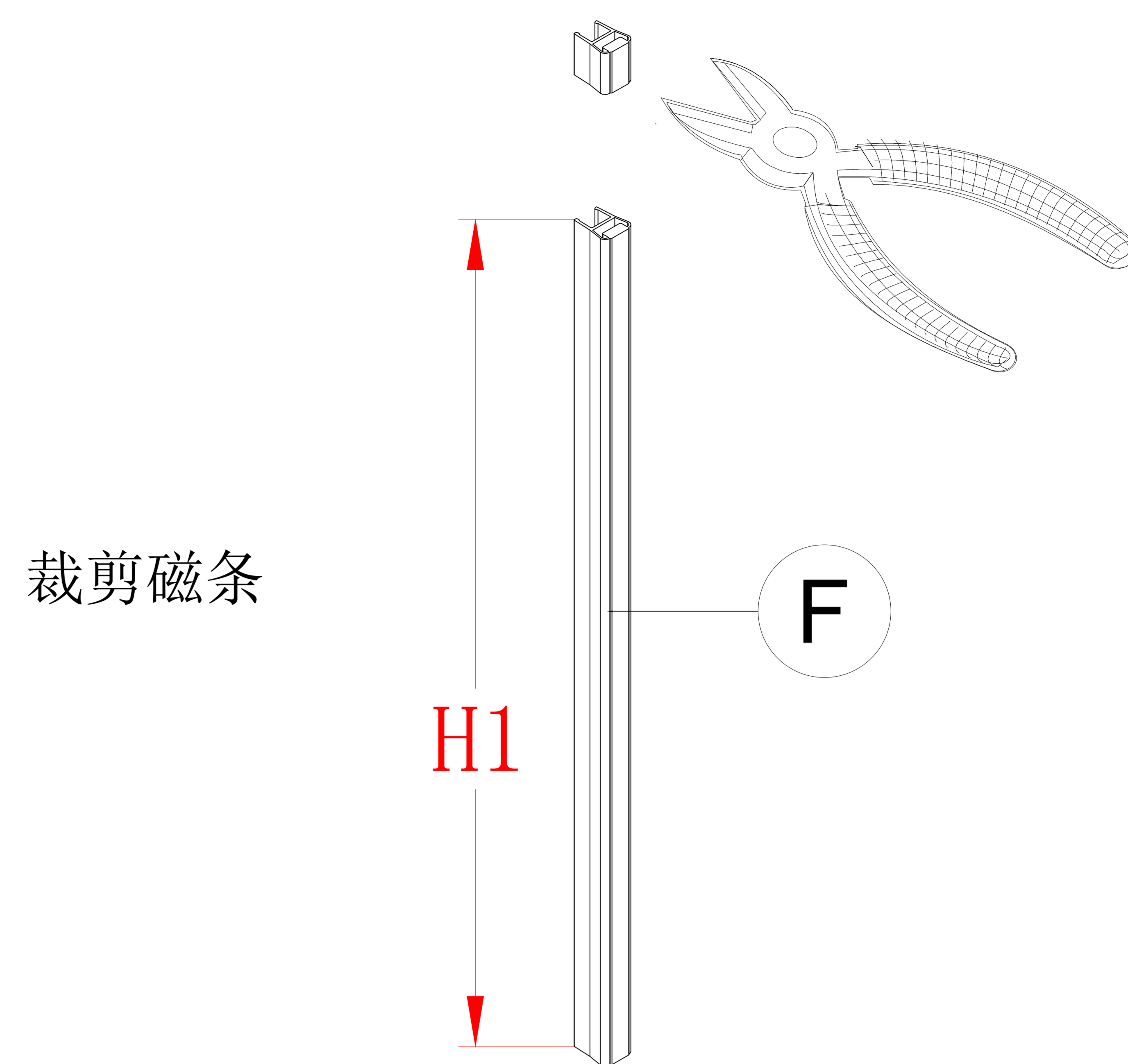
(D)		X1
(F)		X1
(G)		X1

测量淋浴房高度

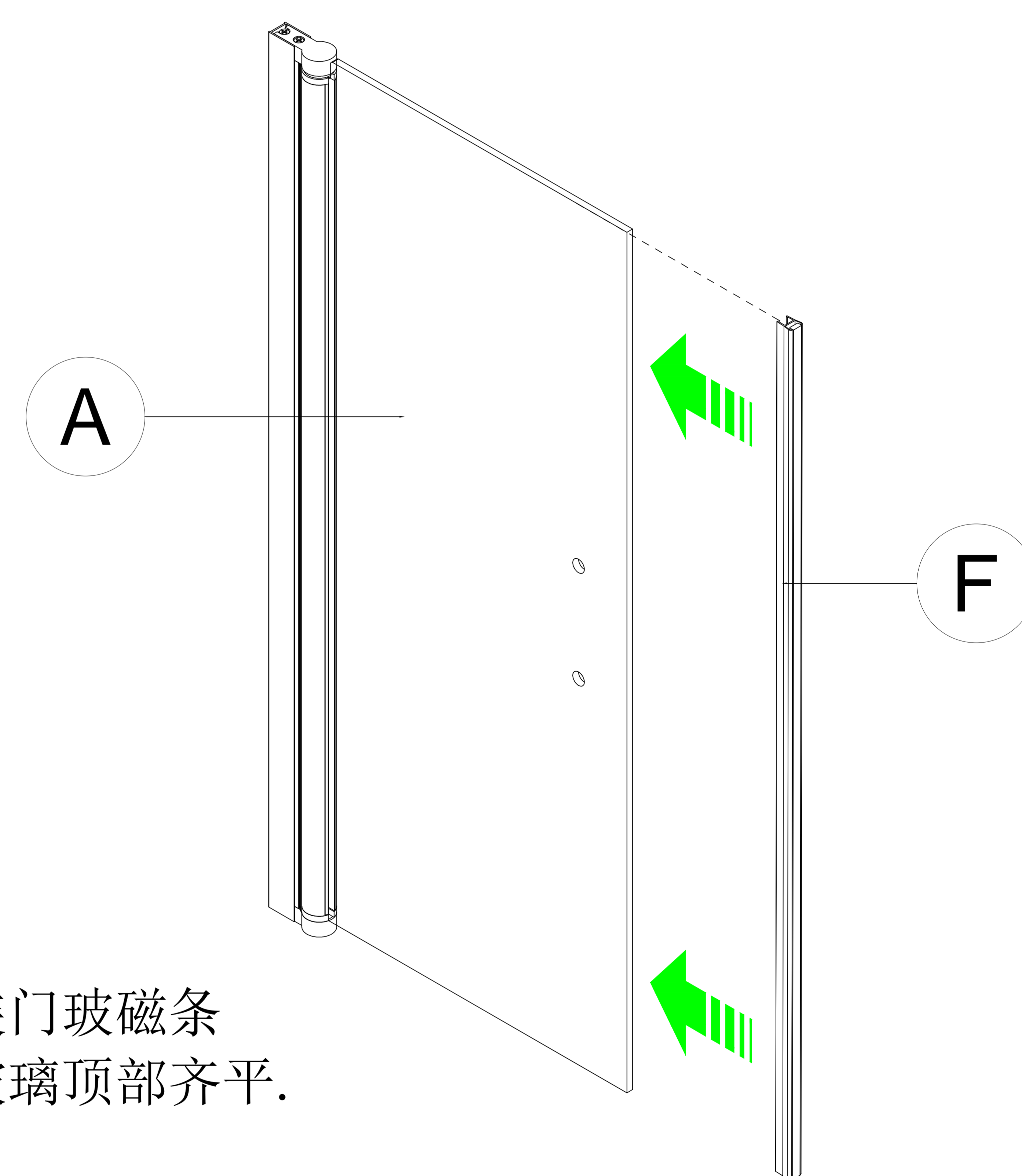


5-1

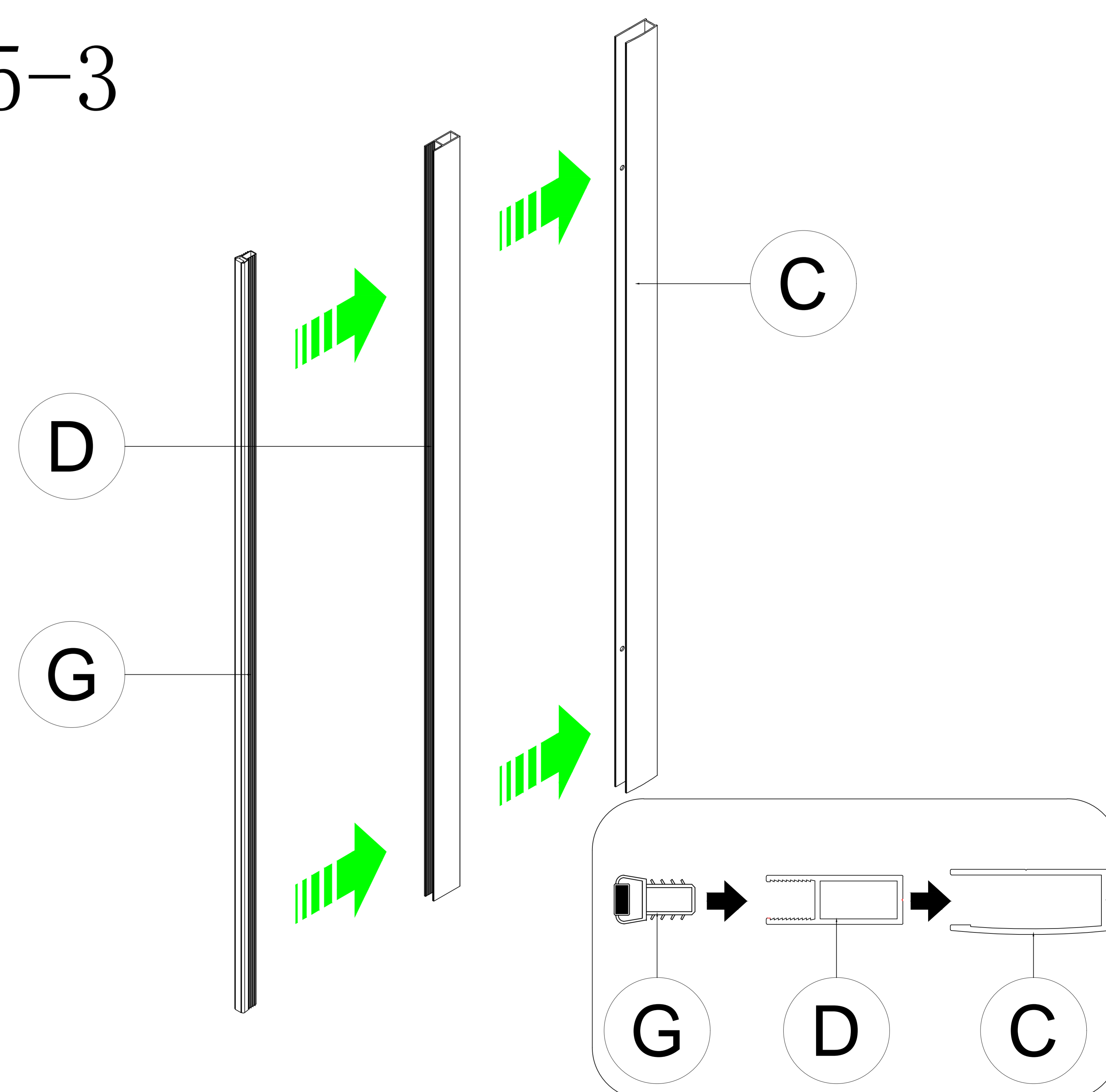
$H1 = H - 3\text{mm} (\frac{1}{8}'' )$



5-2



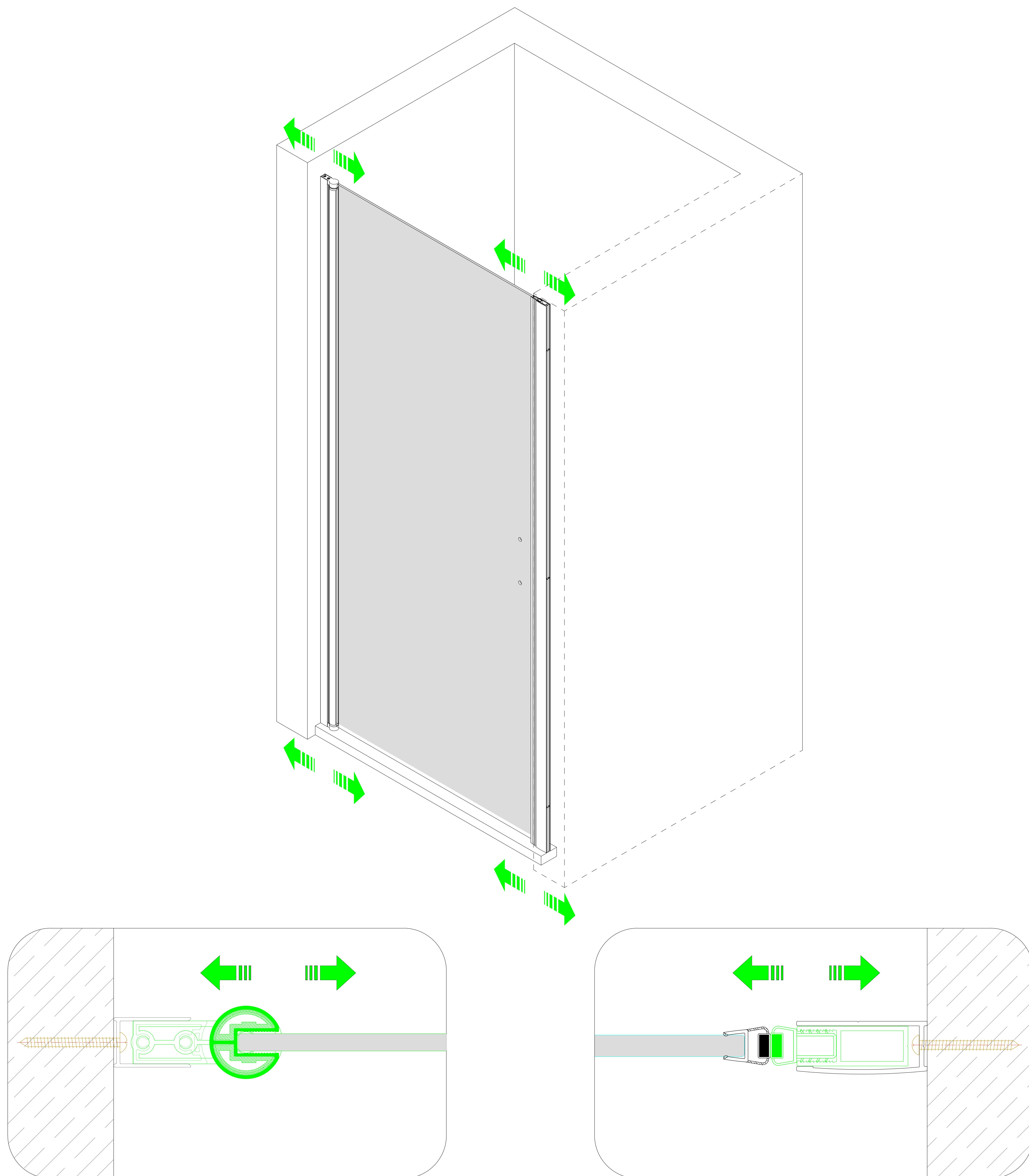
5-3



安装磁条墙料B和压入式磁条

# STEP 6

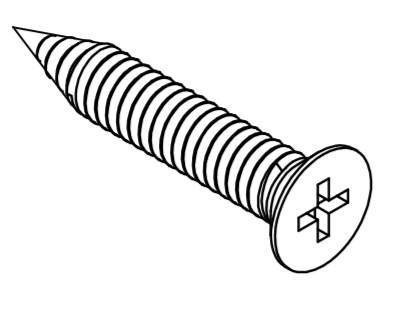
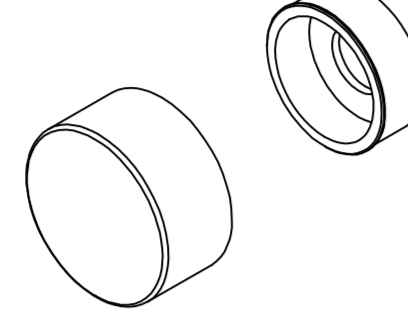
## 调节

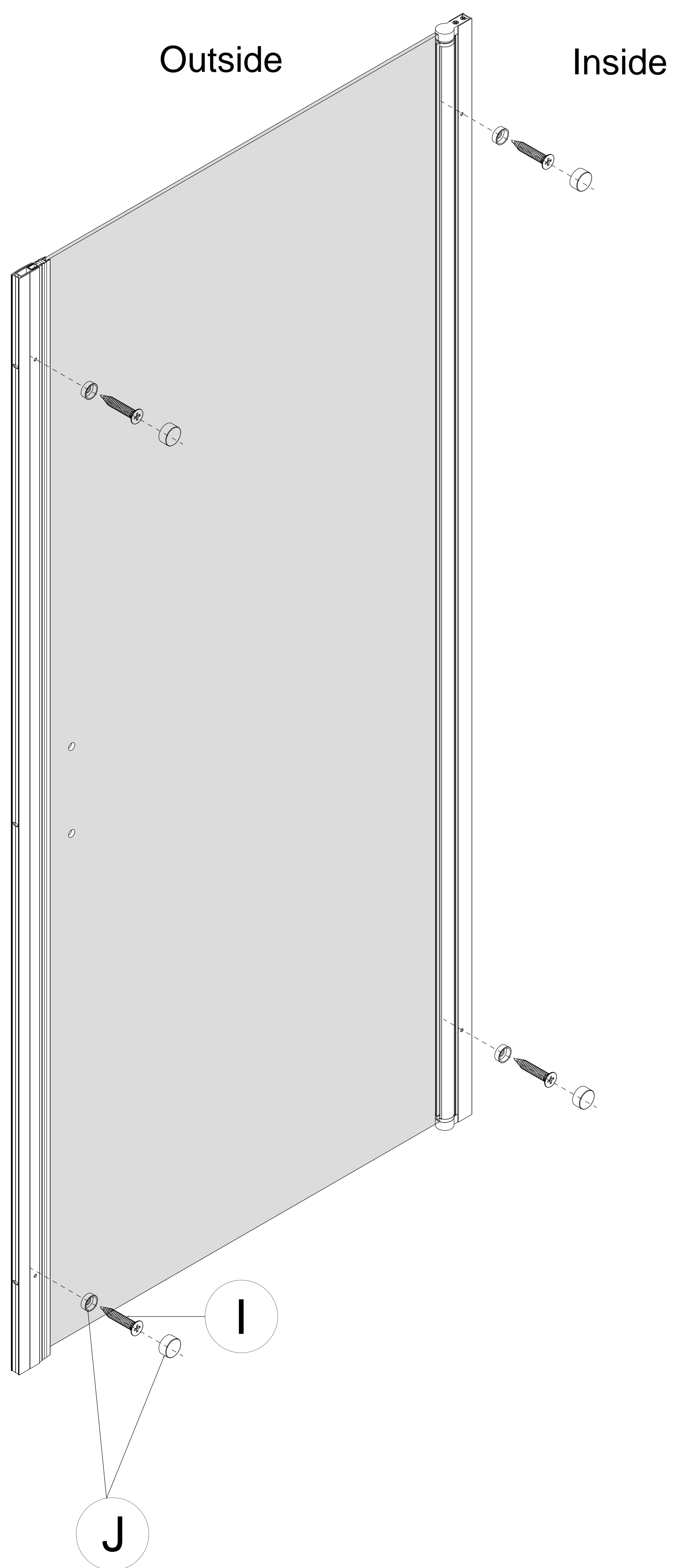


调节活动门玻和磁条墙料B  
使开门顺畅.

# STEP 7

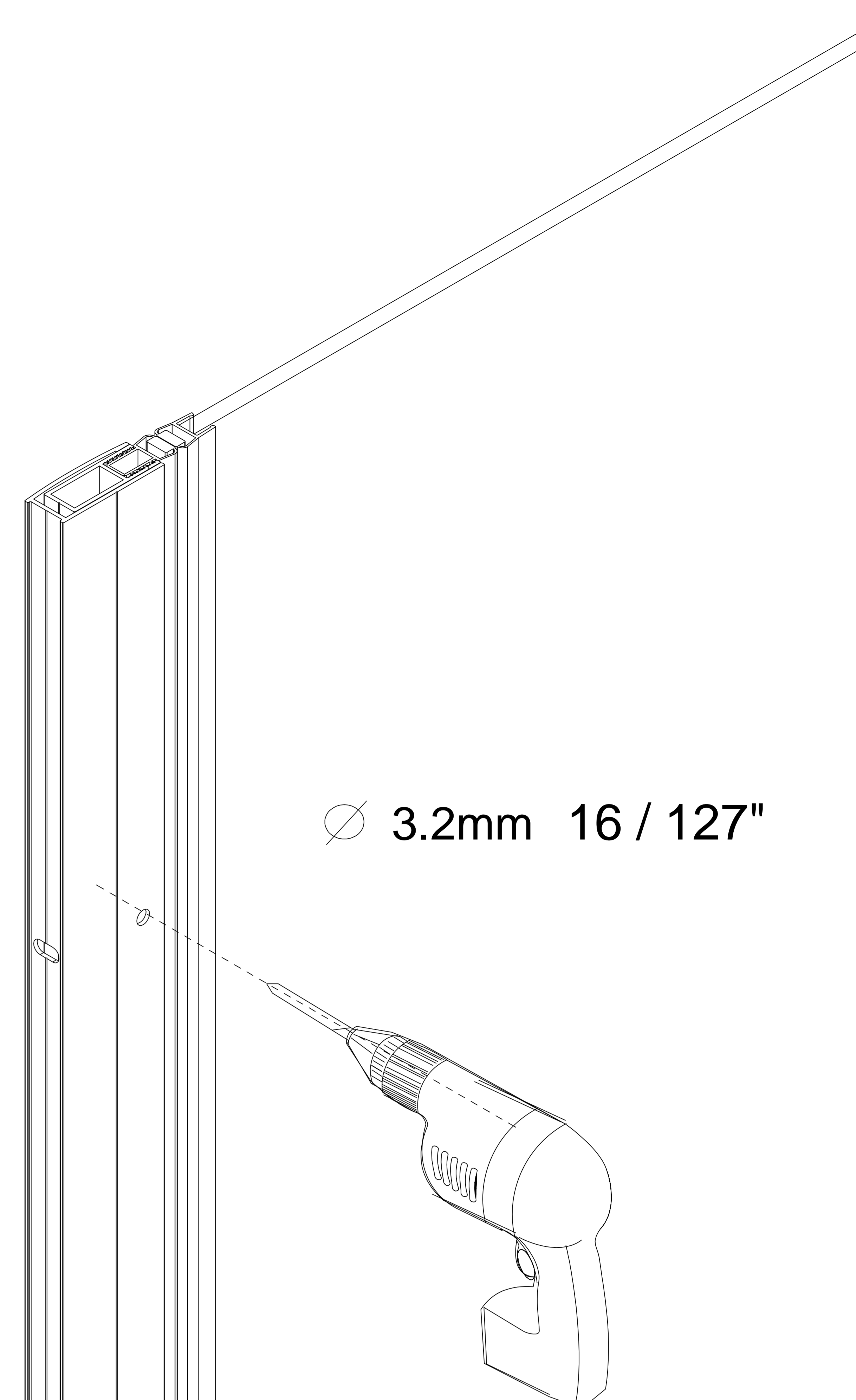
## 固定

I		X4
J		X4



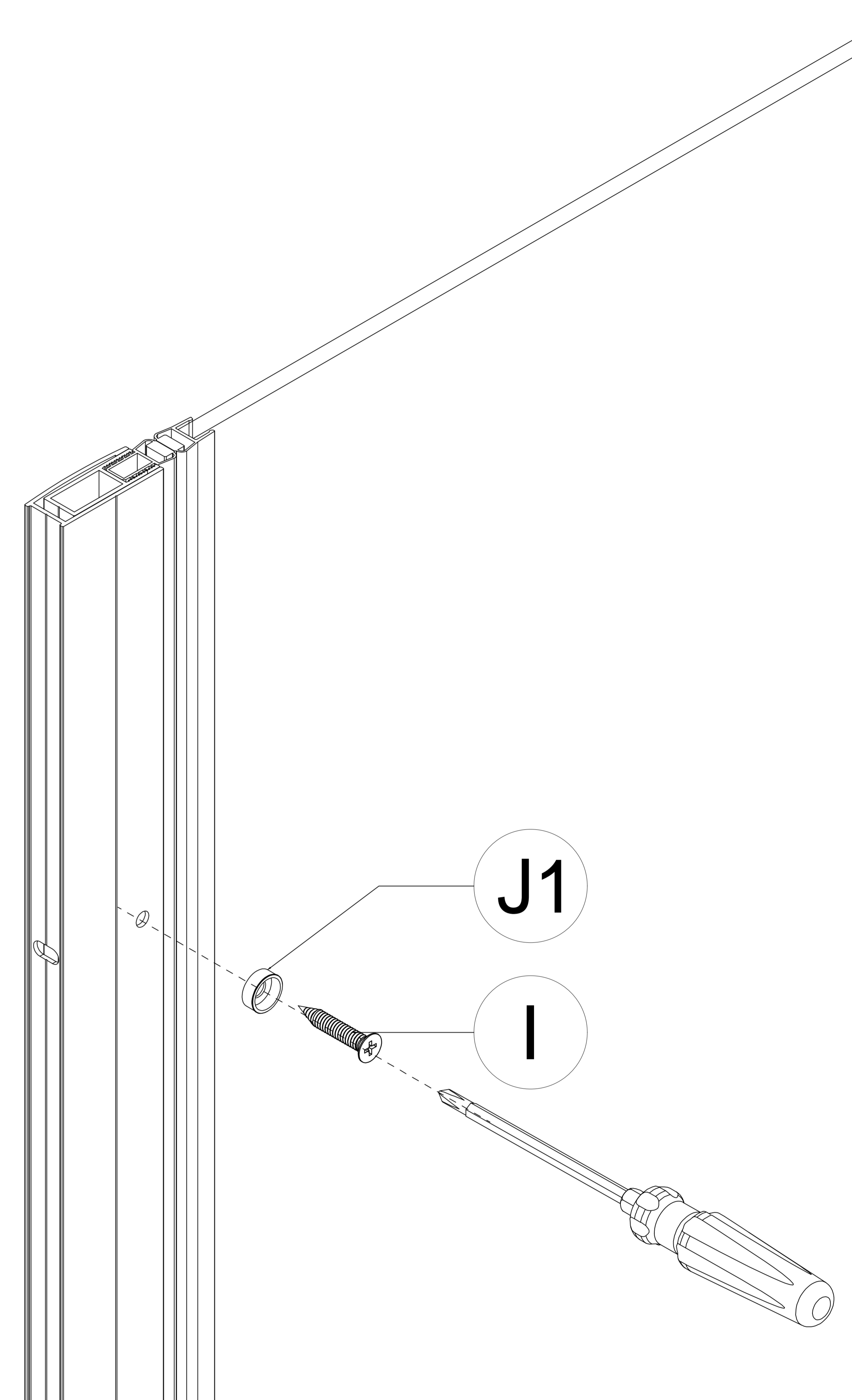
### 7-1

钻孔



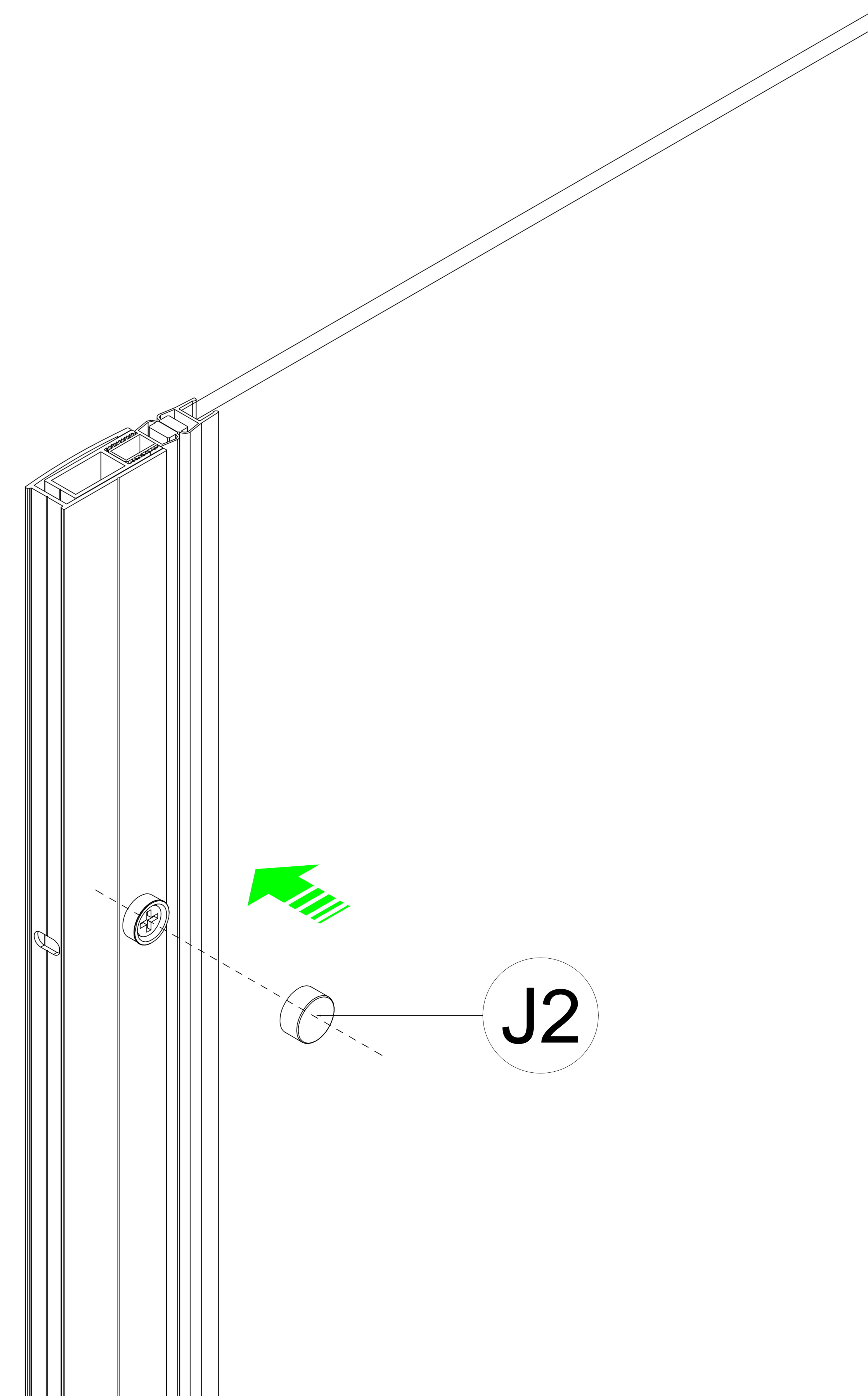
### 7-2

固定



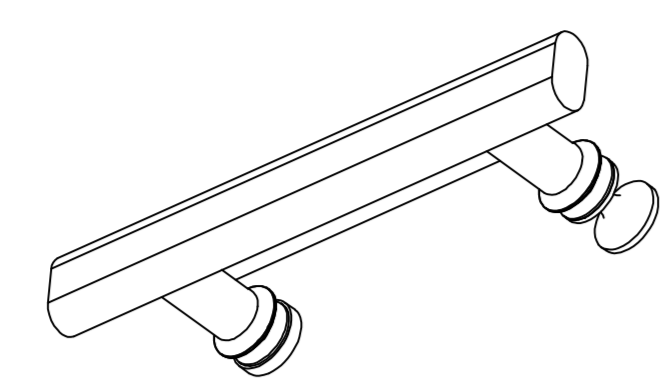
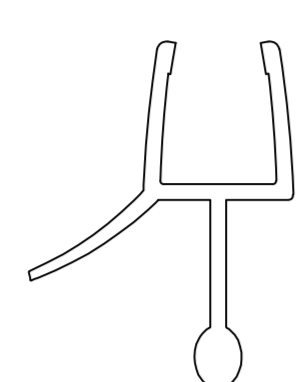
### 7-3

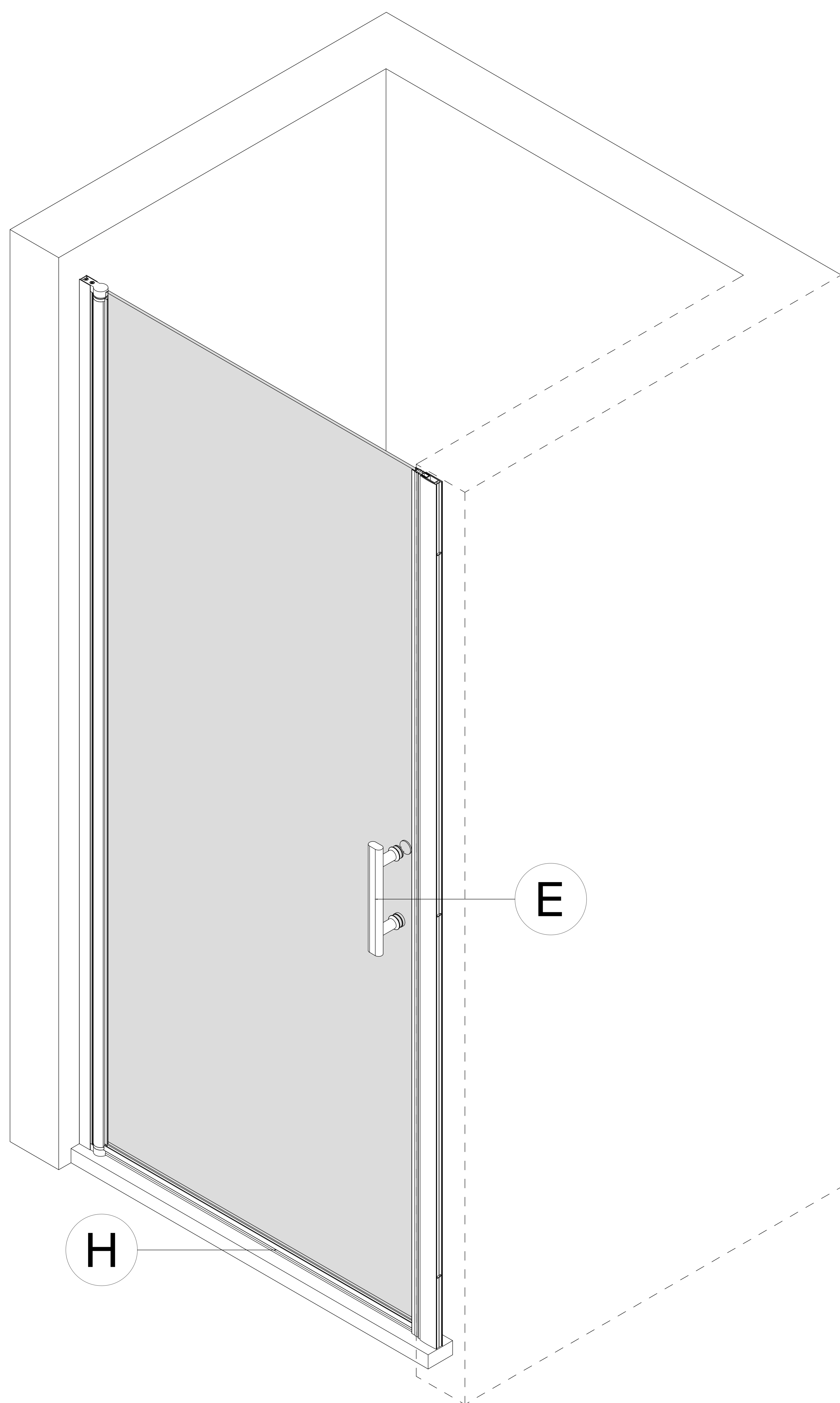
盖上装饰盖



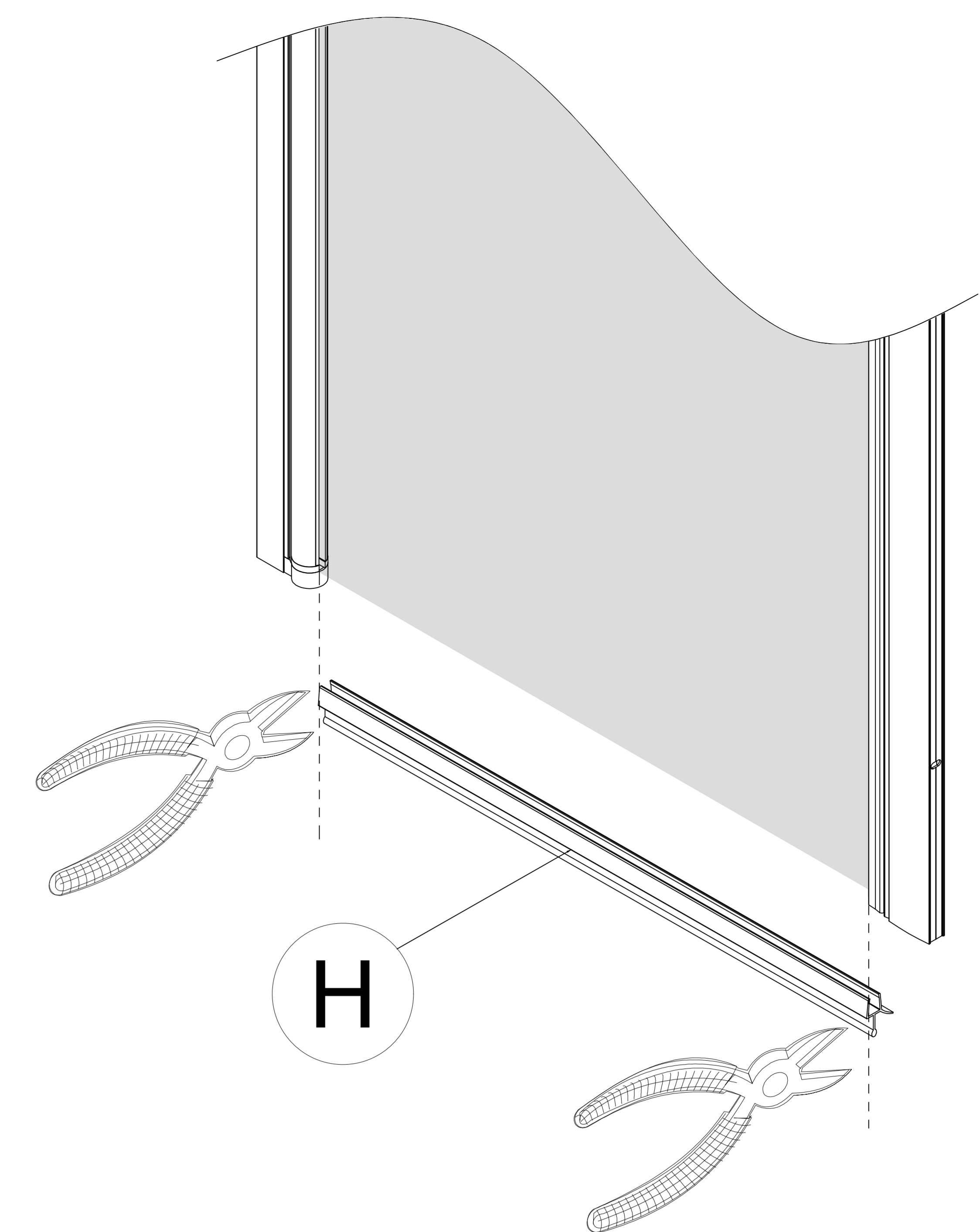
# STEP 8

## 安装门下挡水胶条和拉手

E		X1
H		X1

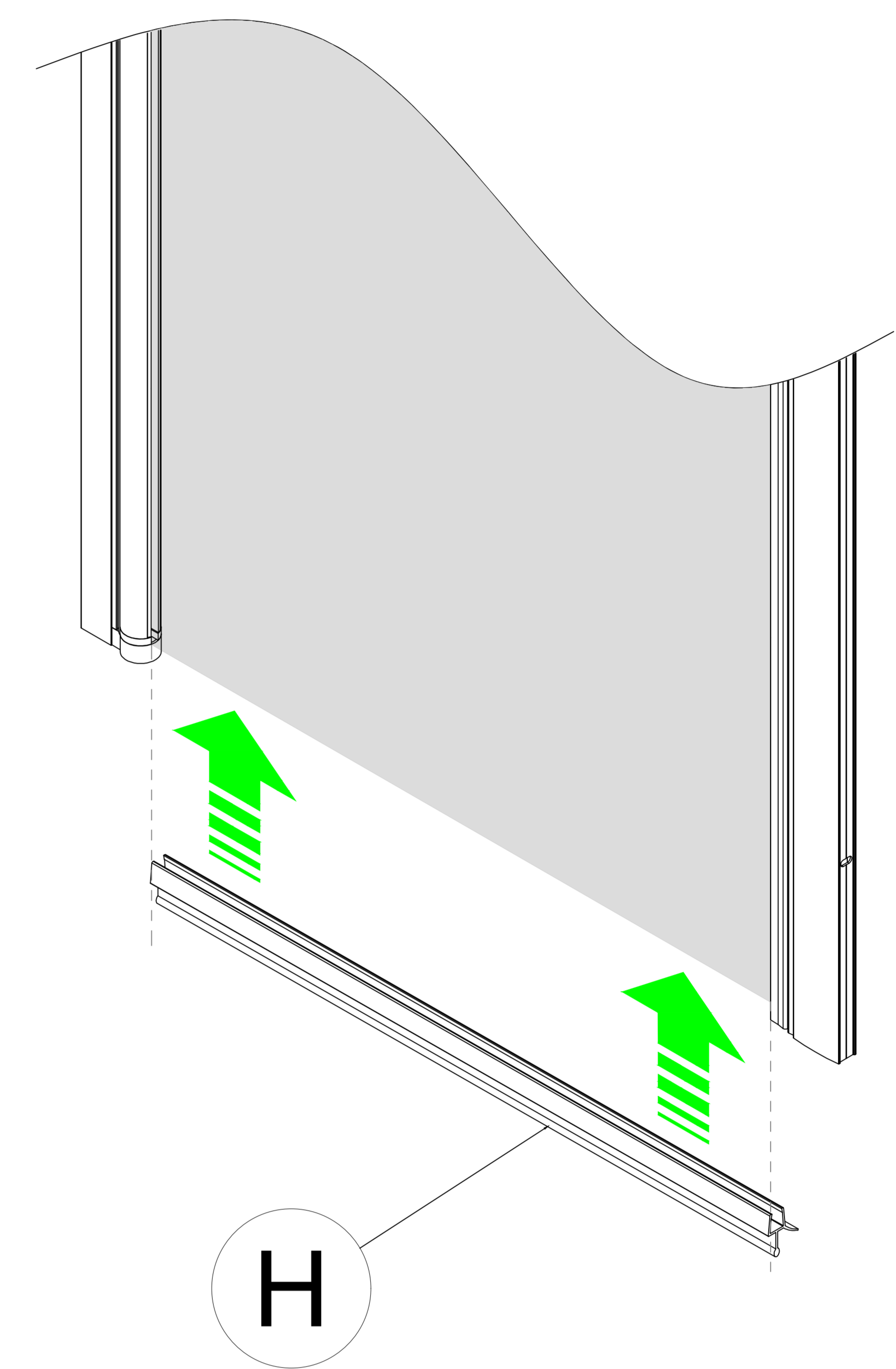


### 8-1



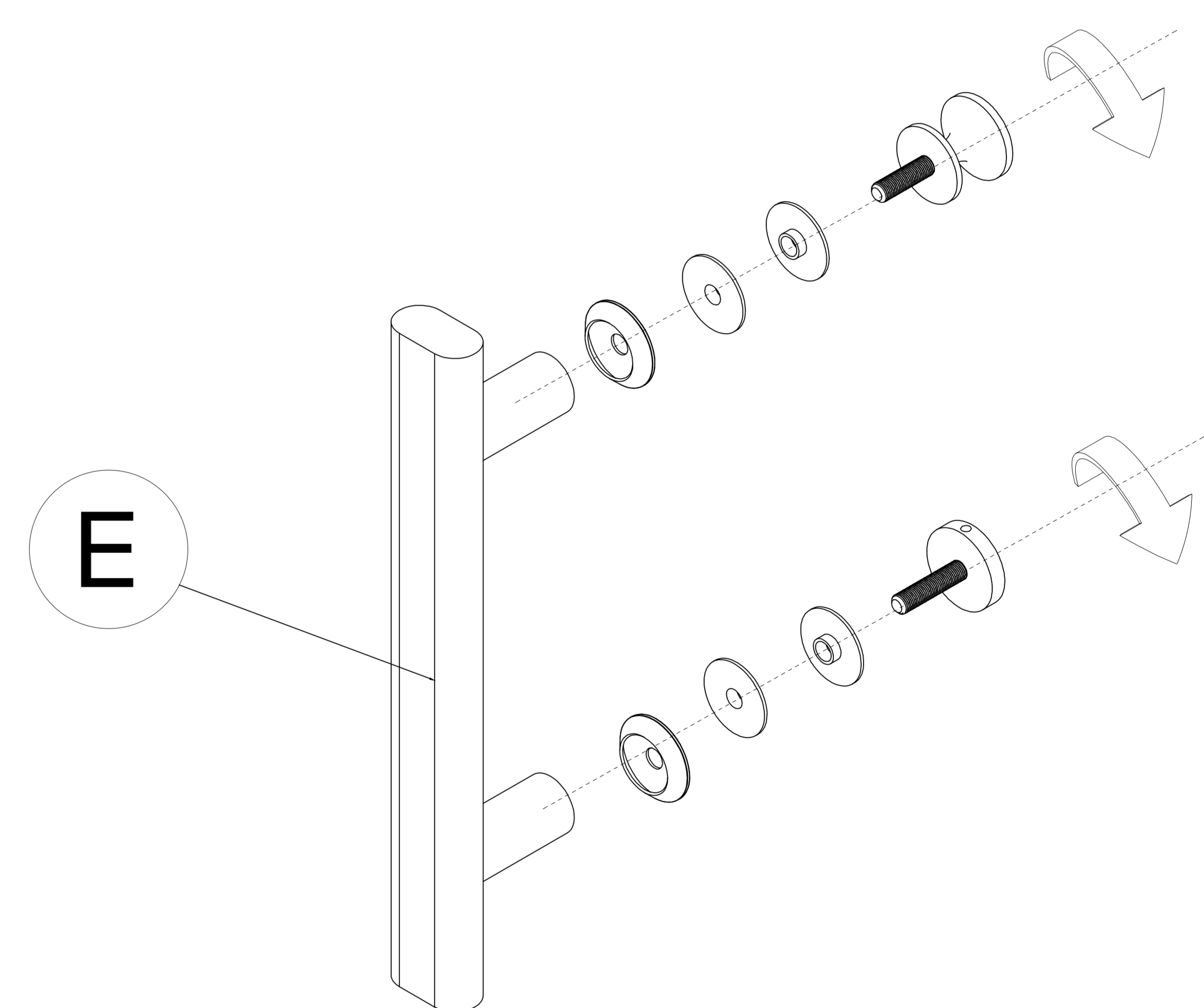
裁剪胶条

### 8-2



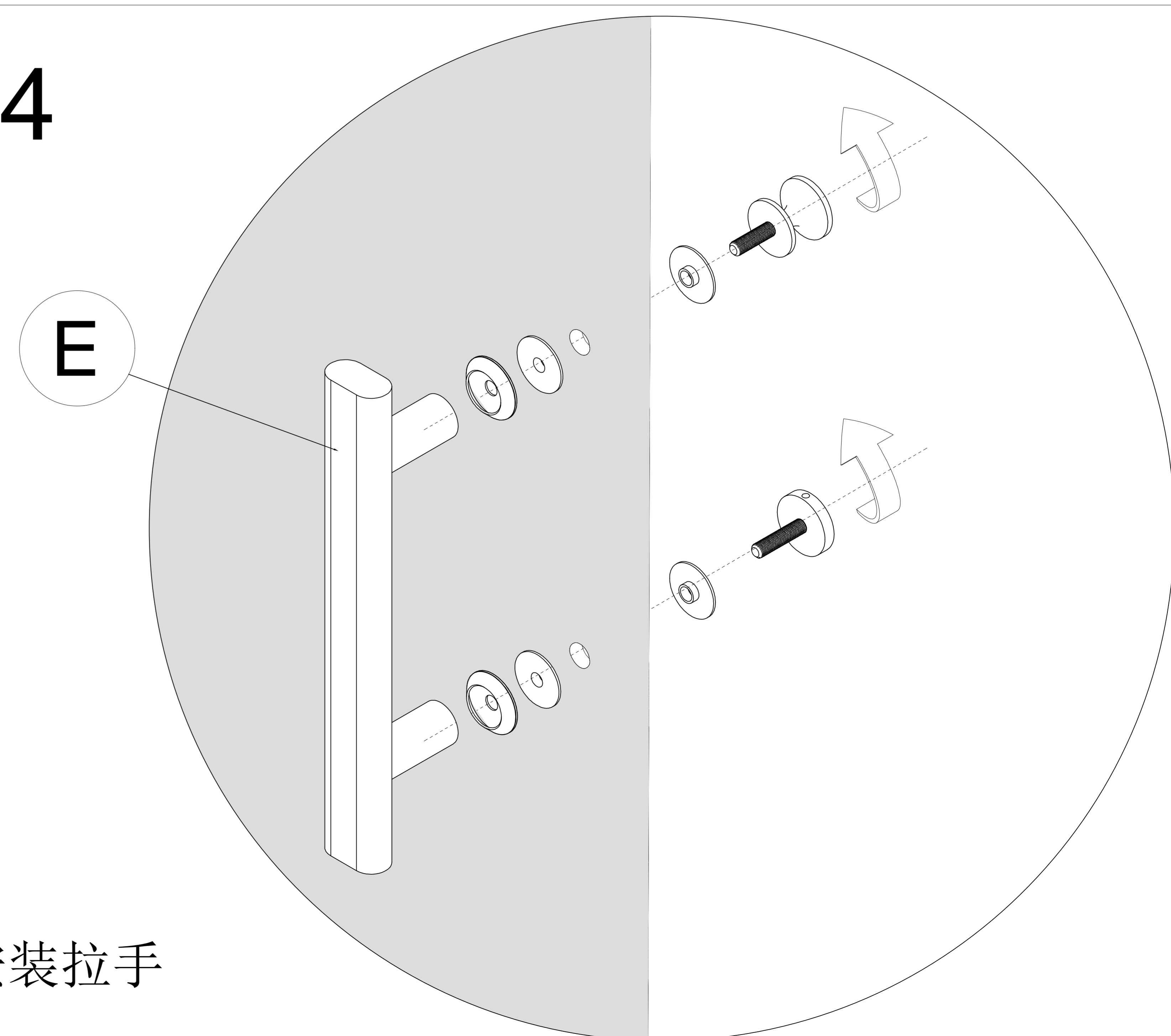
安装门下挡水胶条

### 8-3



松开拉手螺丝

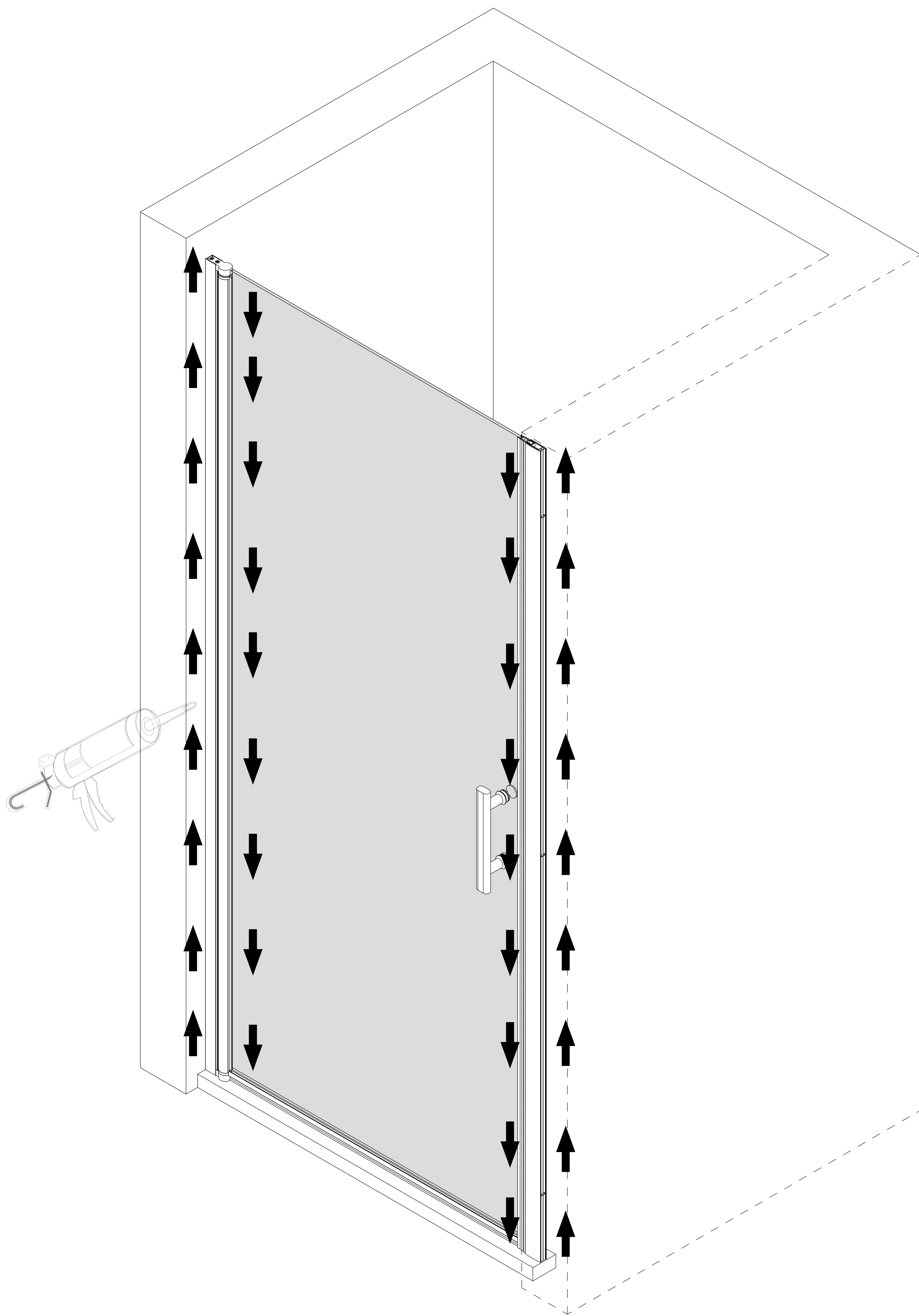
### 8-4



安装拉手

# STEP 9

## Sealing



### NOTE

The surfaces need to be clean and free of debris before applying silicone.

### NOTE

Make sure that the shower door is tightly closed and opens smoothly.

Use silicone sealant to seal along the entire length of the Wall Jambs .



# 24



Allow 24 hours for the silicone to cure before using the shower.