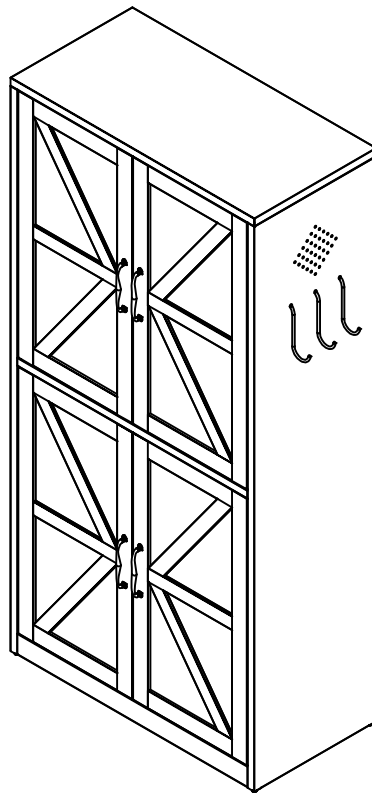
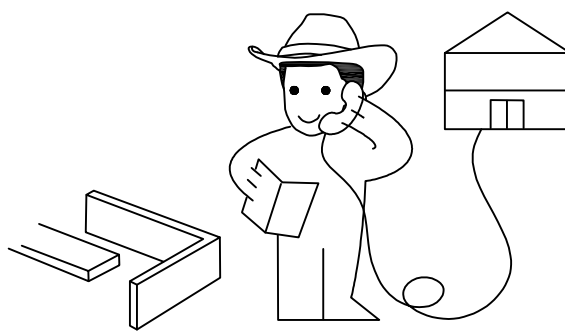
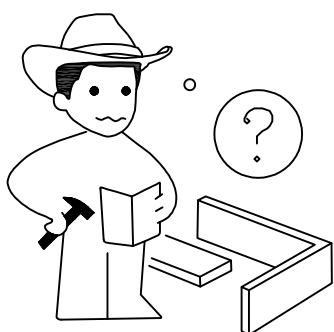
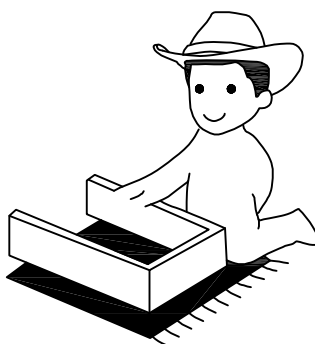
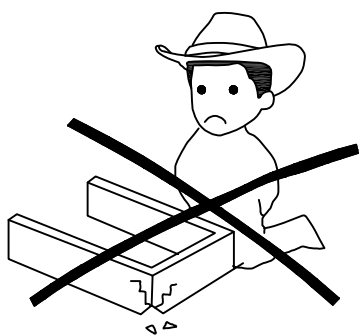
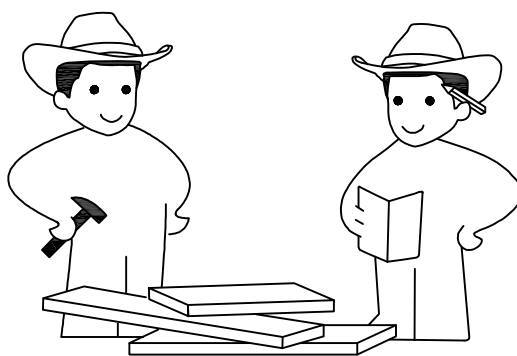
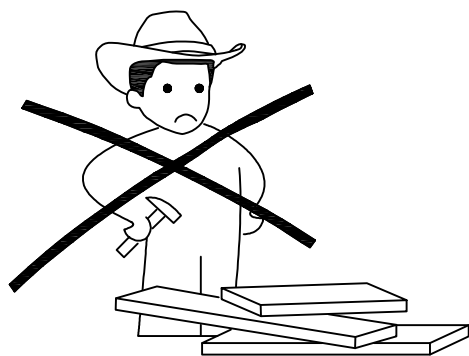
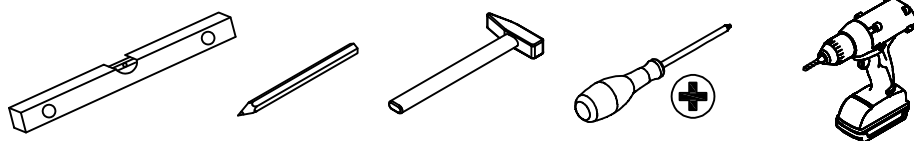
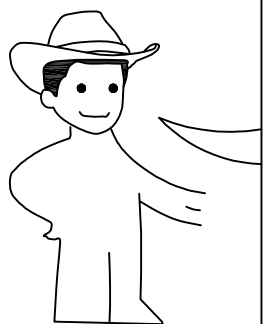
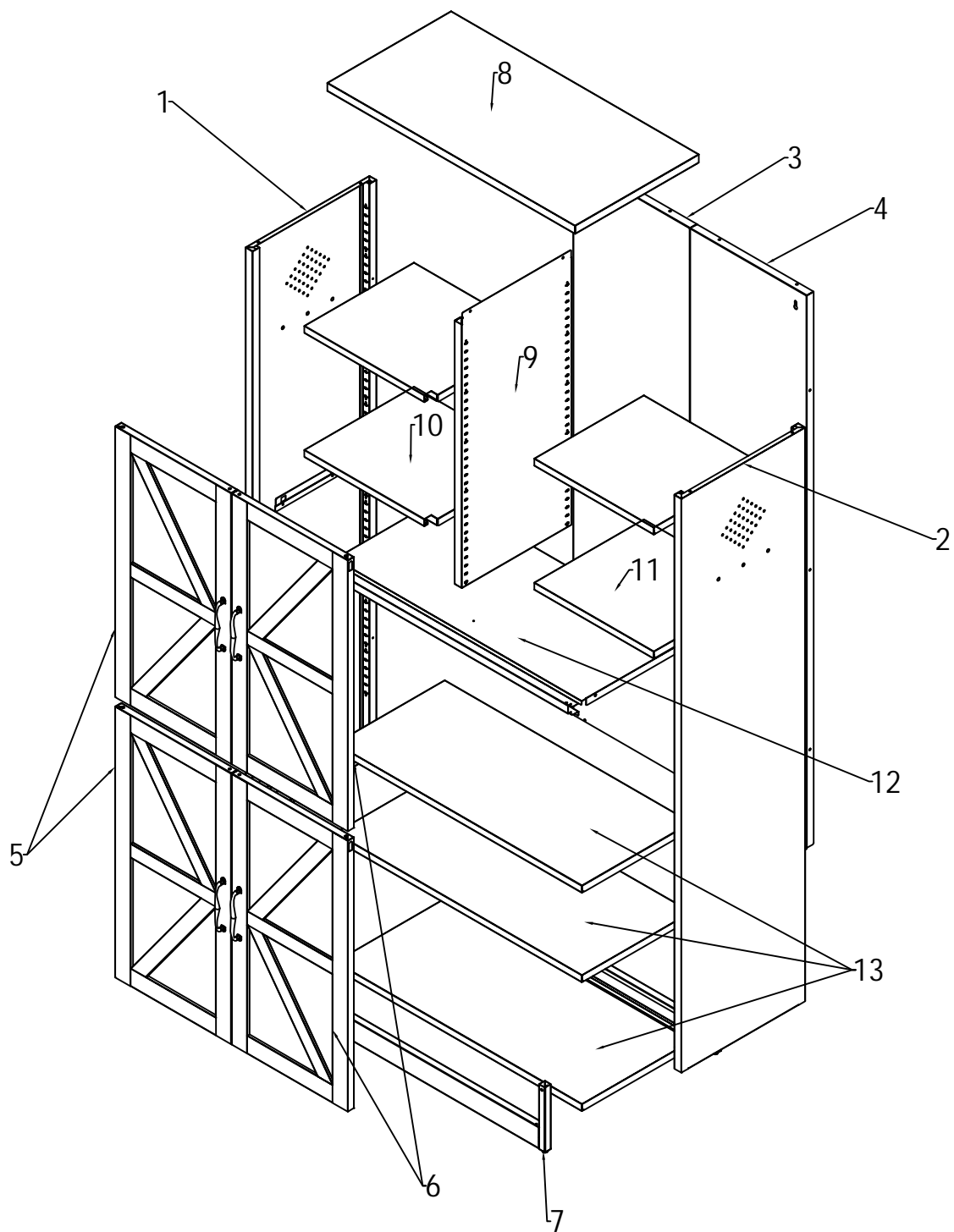
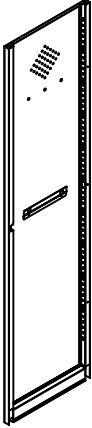
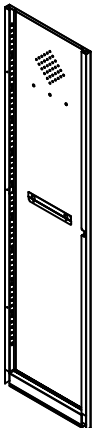
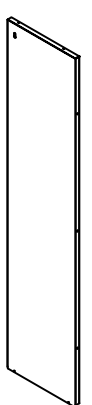

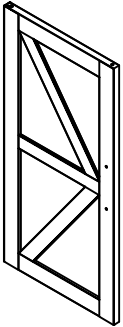
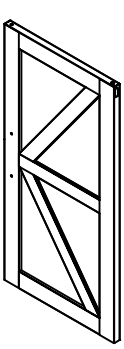
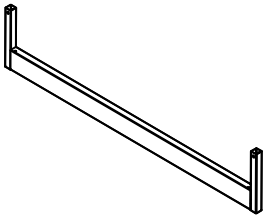
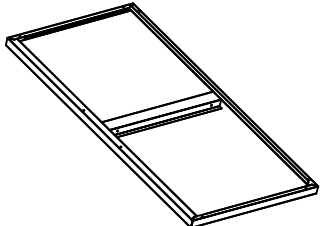
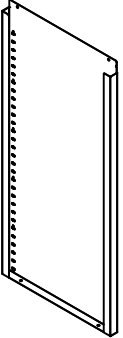
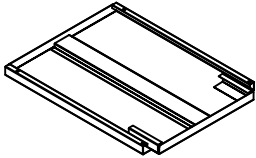
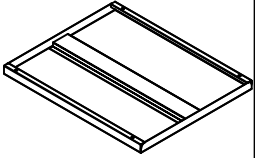
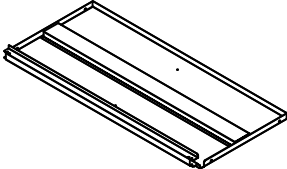
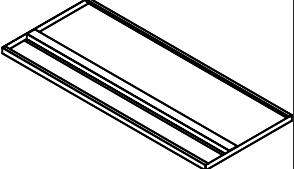

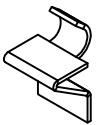




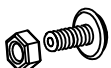

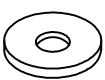


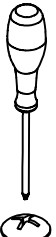



Installation & Assembly



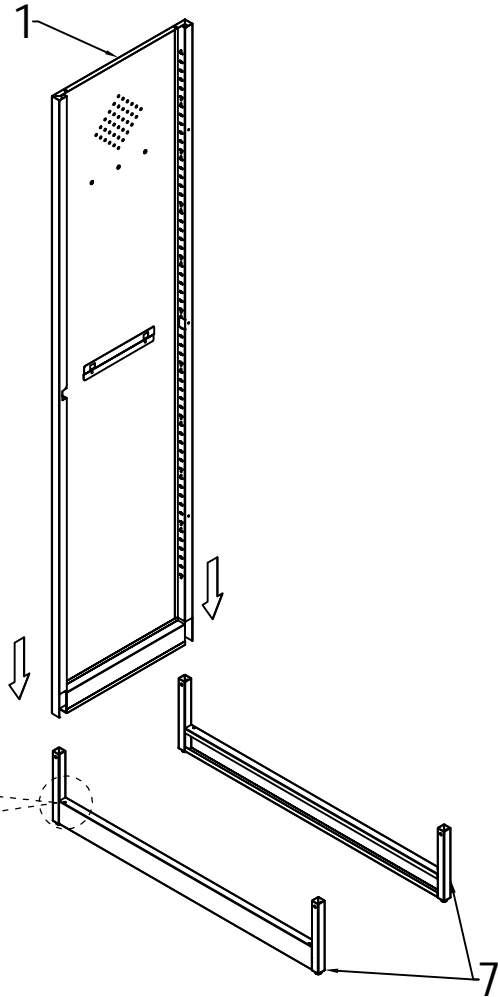
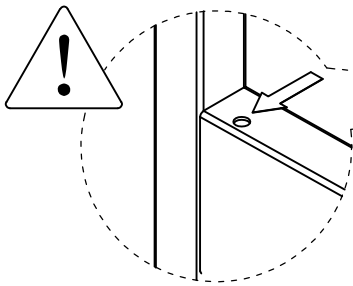




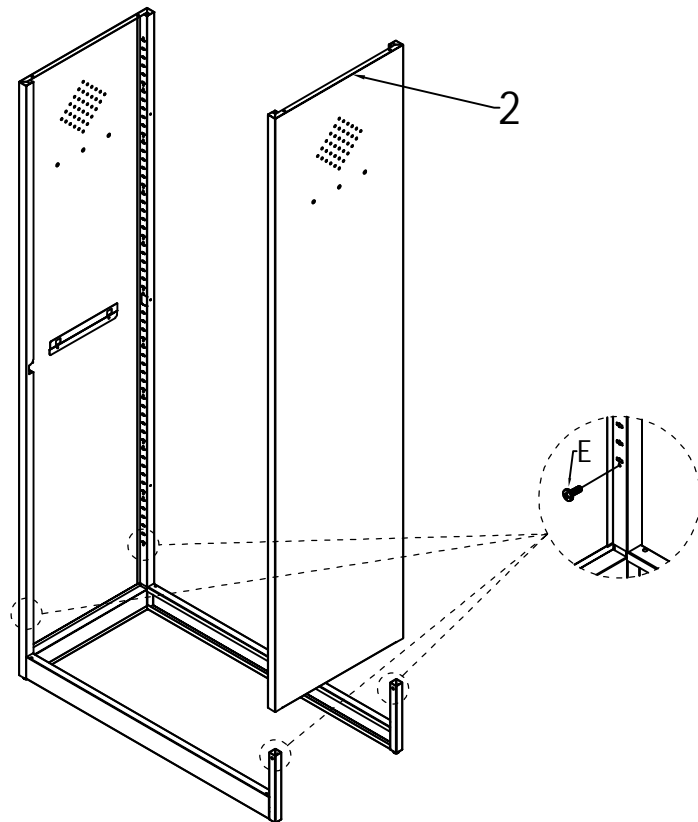
<p>1× 1*pc</p> 	<p>2× 1*pc</p> 	<p>3× 1*pc</p> 	<p>4× 1*pc</p> 			
<p>5× 2*pcs</p> 	<p>6× 2*pcs</p> 	<p>7× 2*pcs</p> 	<p>8× 1*pc</p> 			
<p>9× 1*pc</p> 	<p>10× 2*pcs</p> 	<p>11× 2*pcs</p> 	<p>12× 1*pc</p> 	<p>13× 3*pcs</p> 		
<p>A×4*pcs</p> 	<p>B×24*pcs</p> 	<p>C×4*pcs</p> 	<p>D×12*pcs</p> 	<p>E×22*pcs</p> <p>M4×10</p> 	<p>F×8*pcs</p> <p>M4×22</p> 	
<p>G×3*pcs</p> 	<p>H×2*pcs</p> 	<p>I×2*pcs</p> 	<p>J×3*pcs</p> 	<p>K×2*pcs</p> 		

1

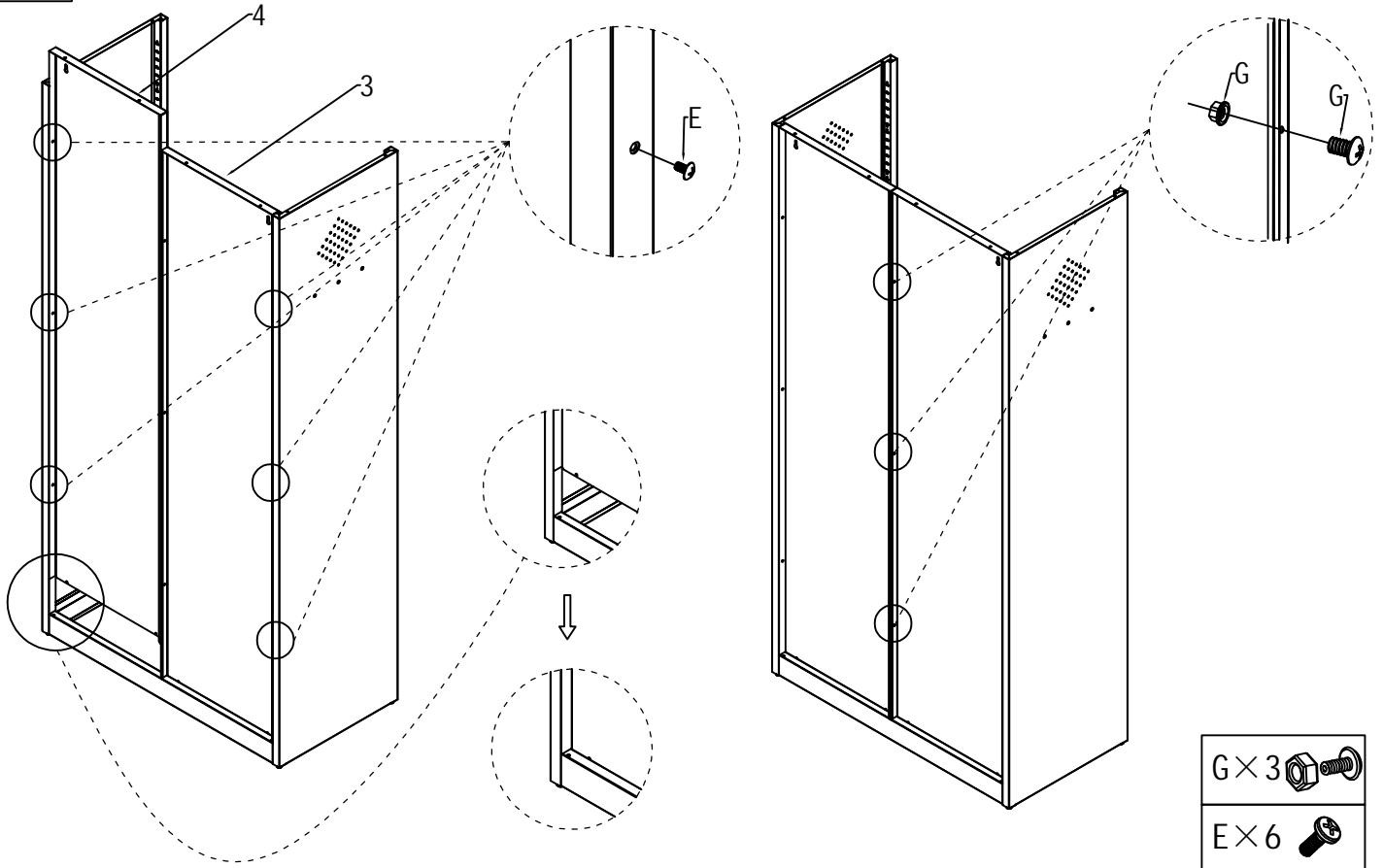
The hole must be facing outward.



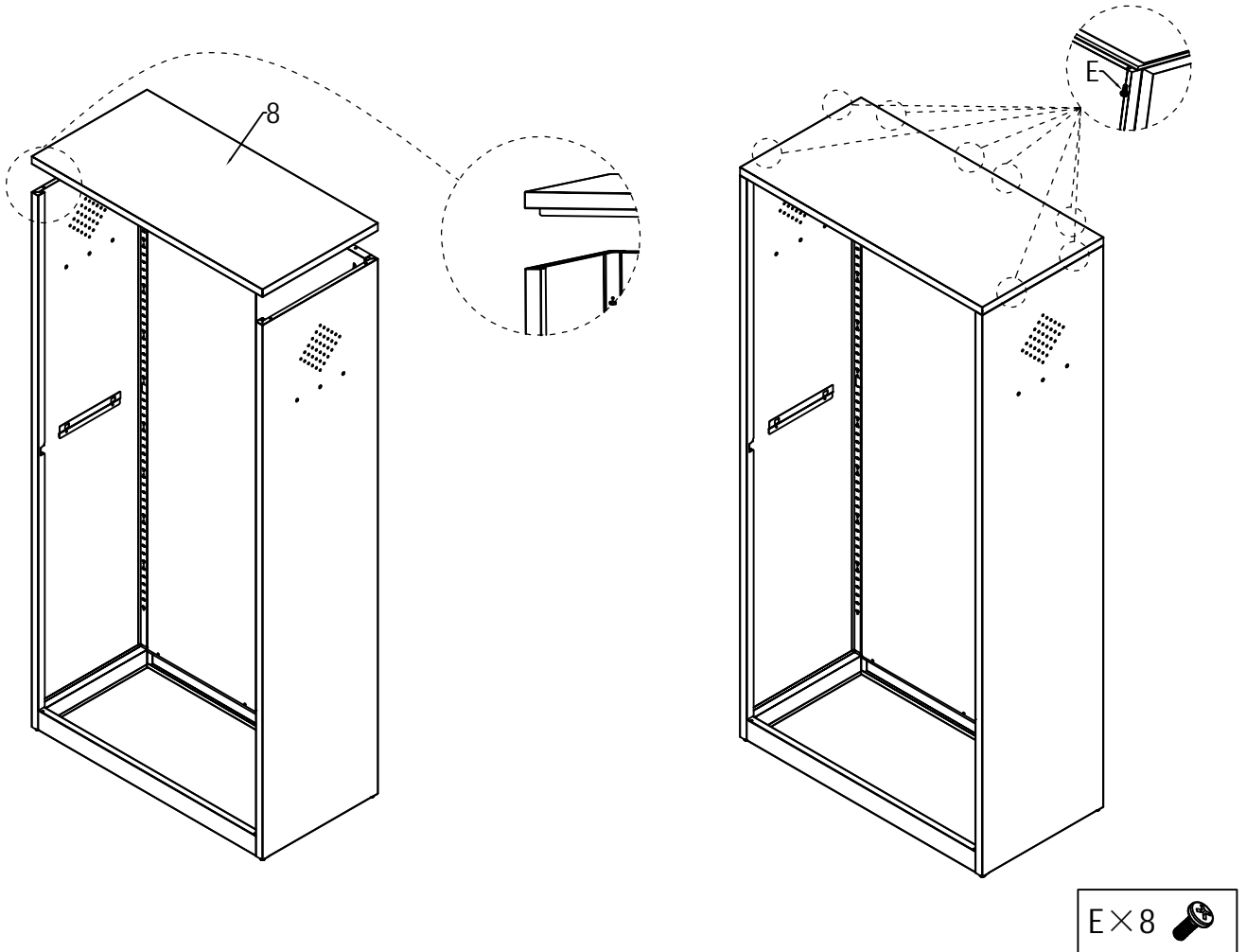
2



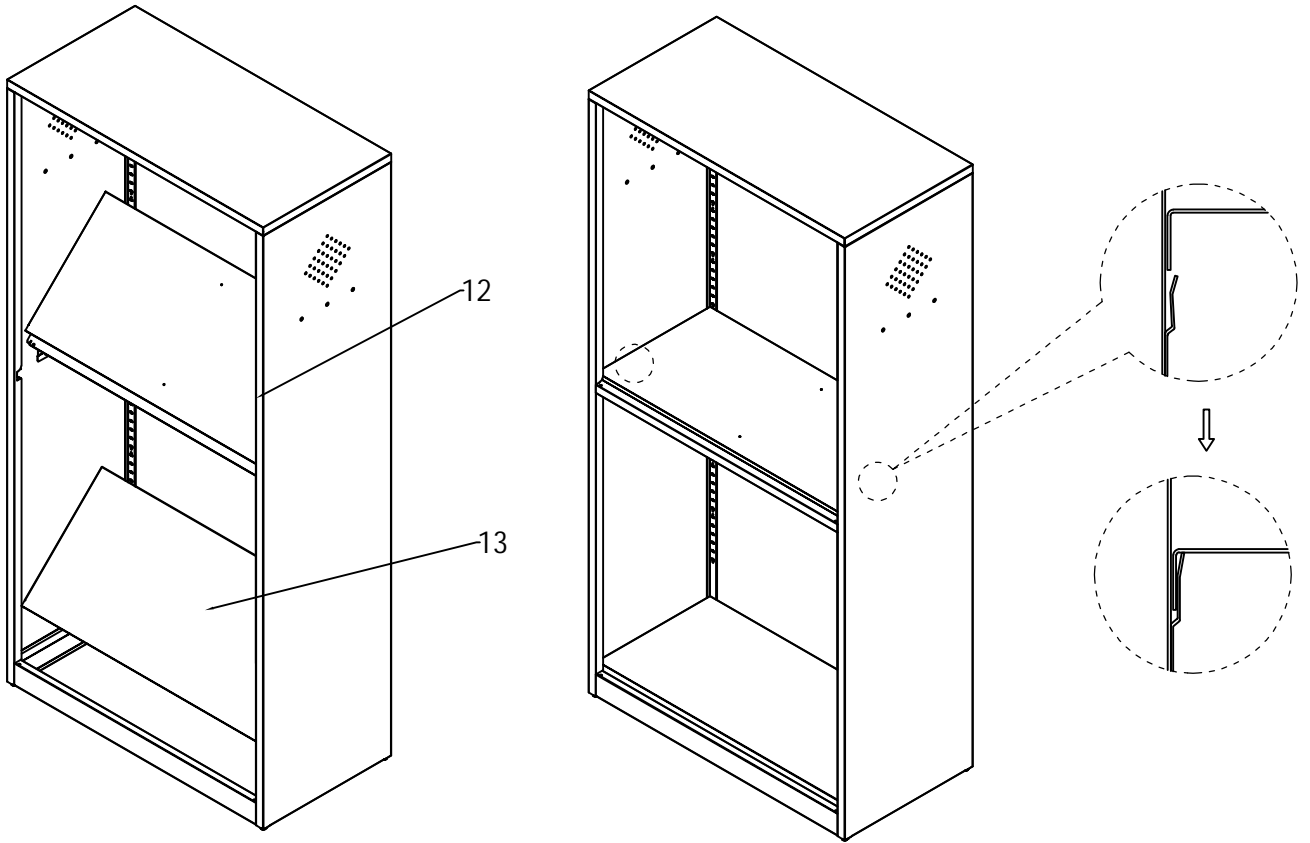
3



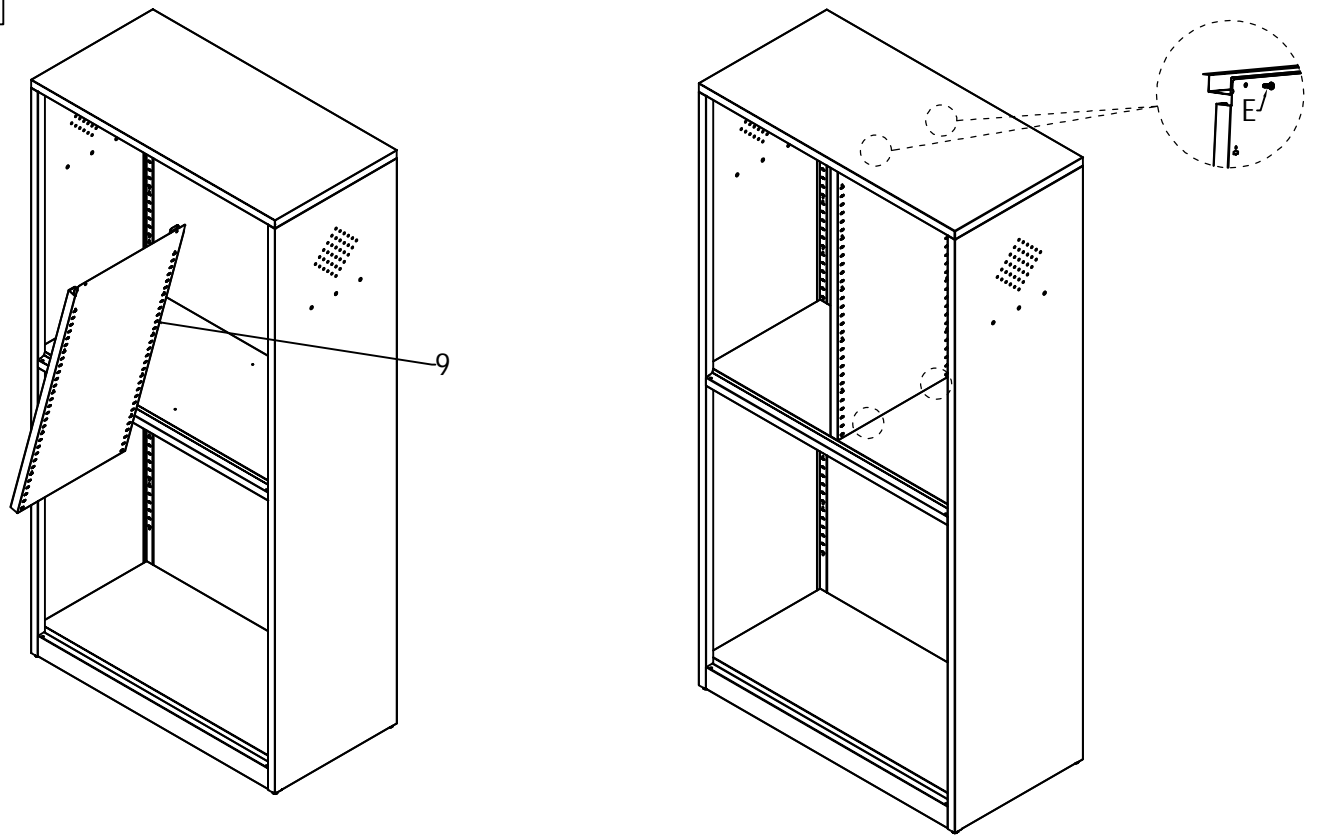
4



5

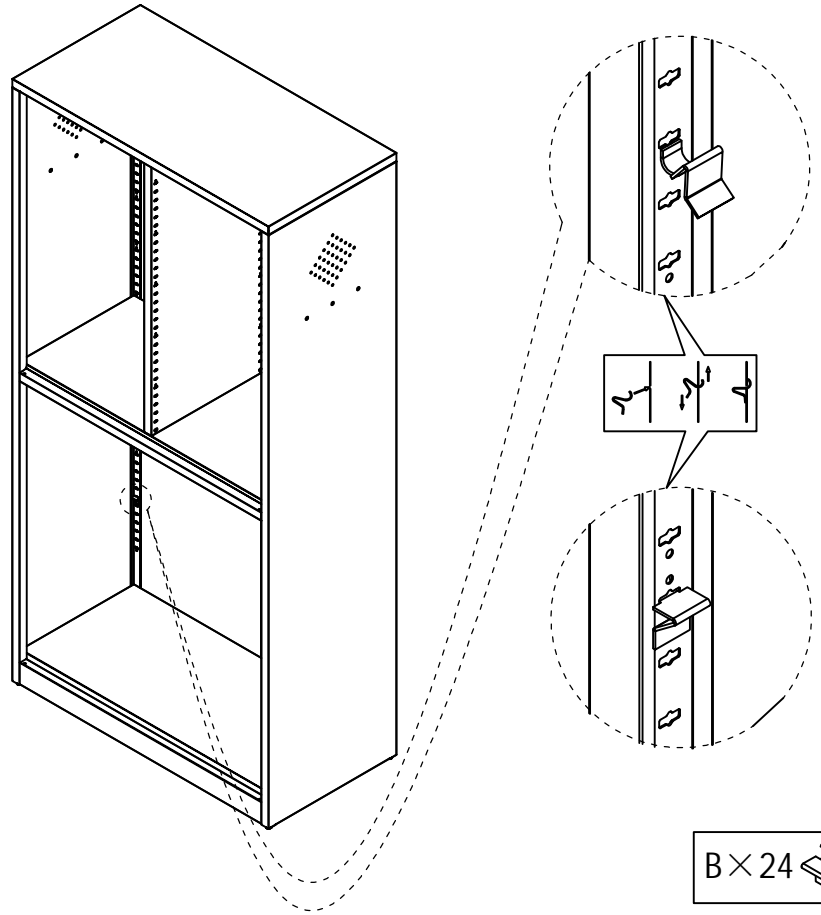


6

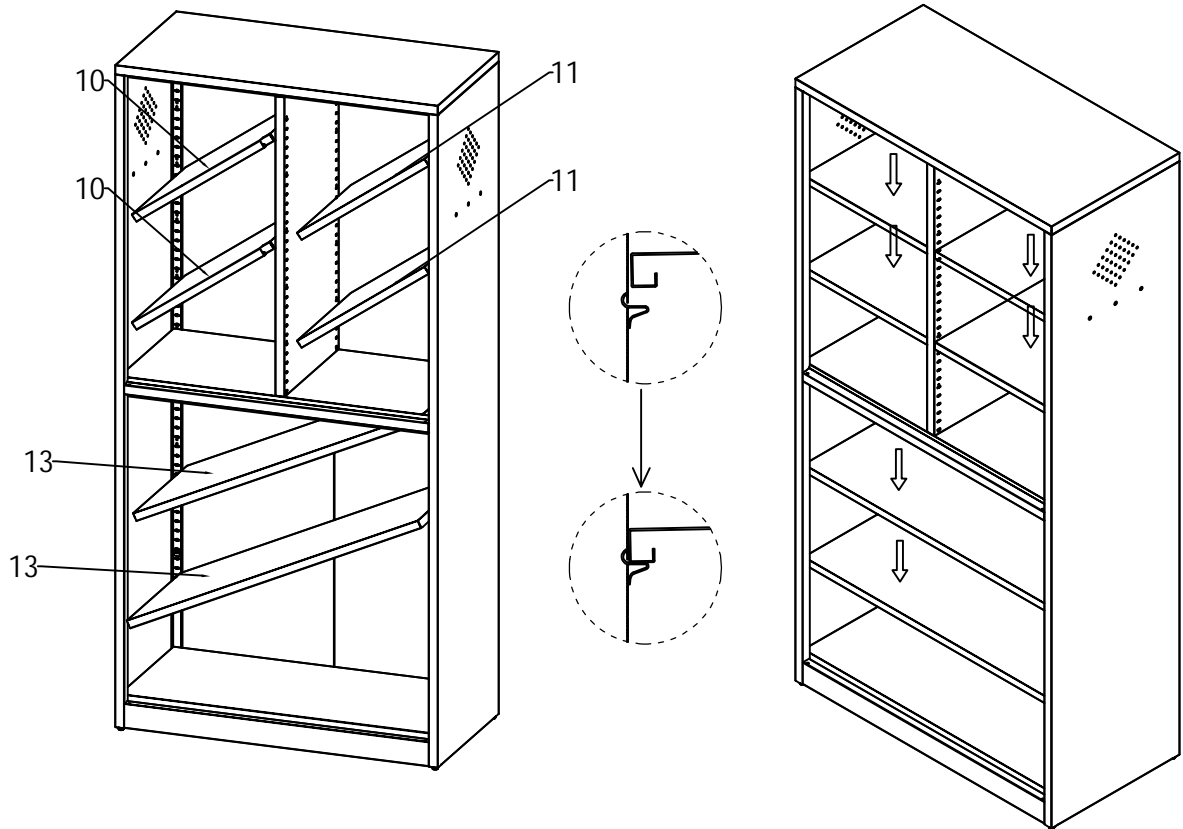


E×4 

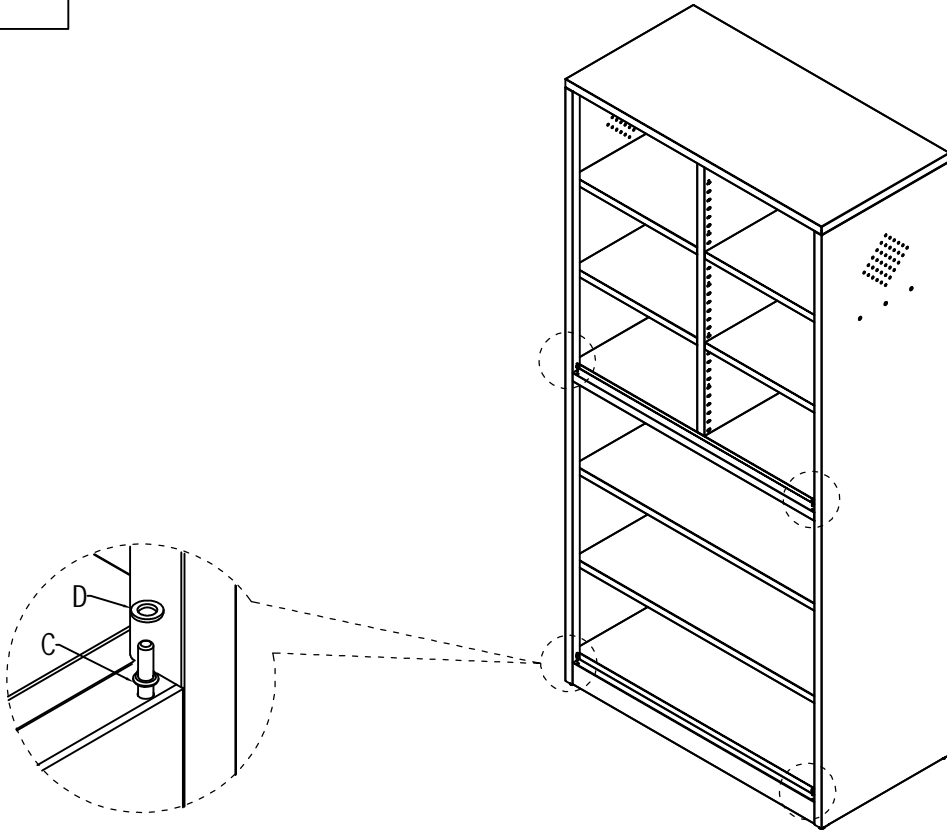
7





8



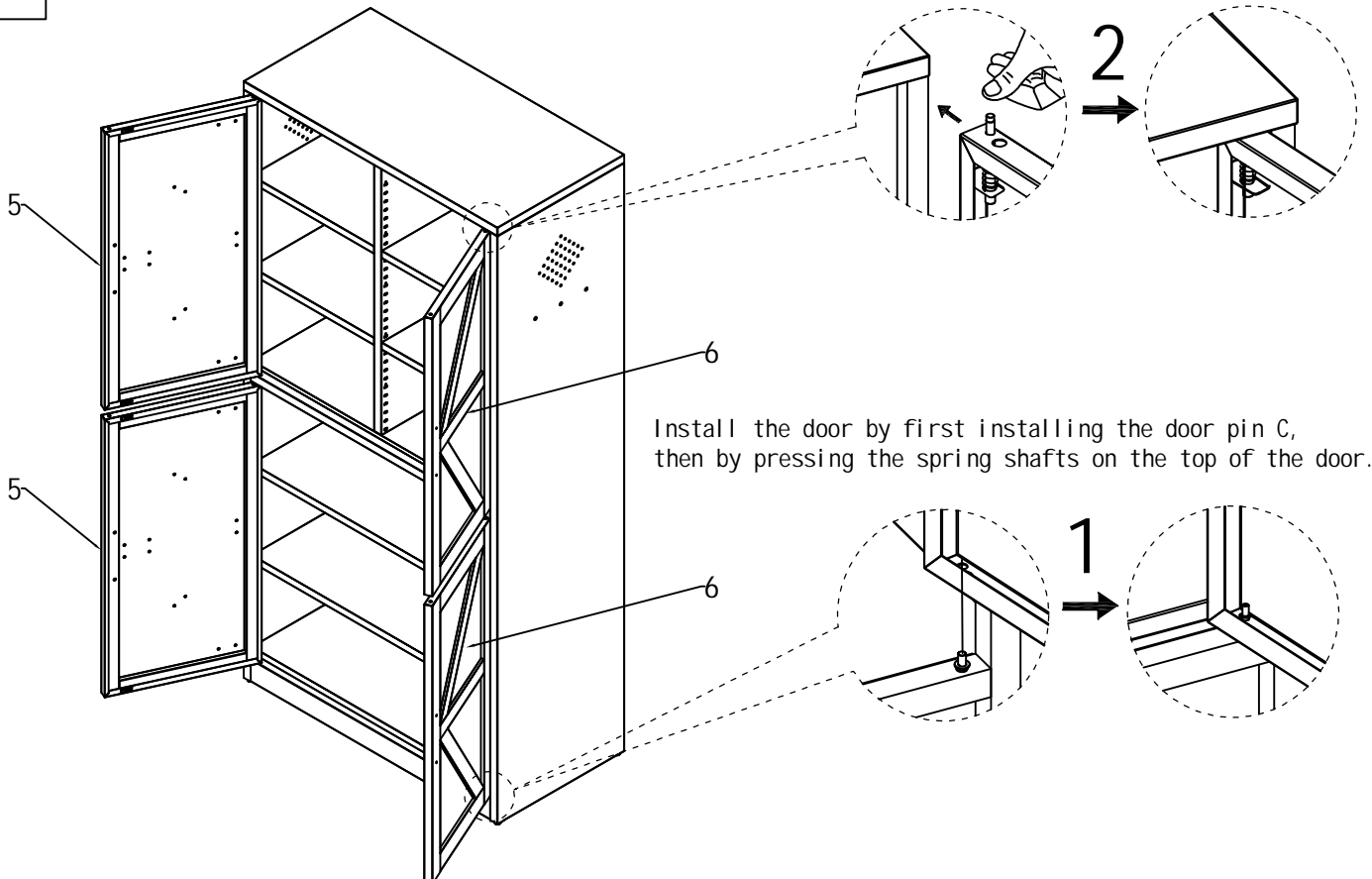
9



C × 4	
D × 4	

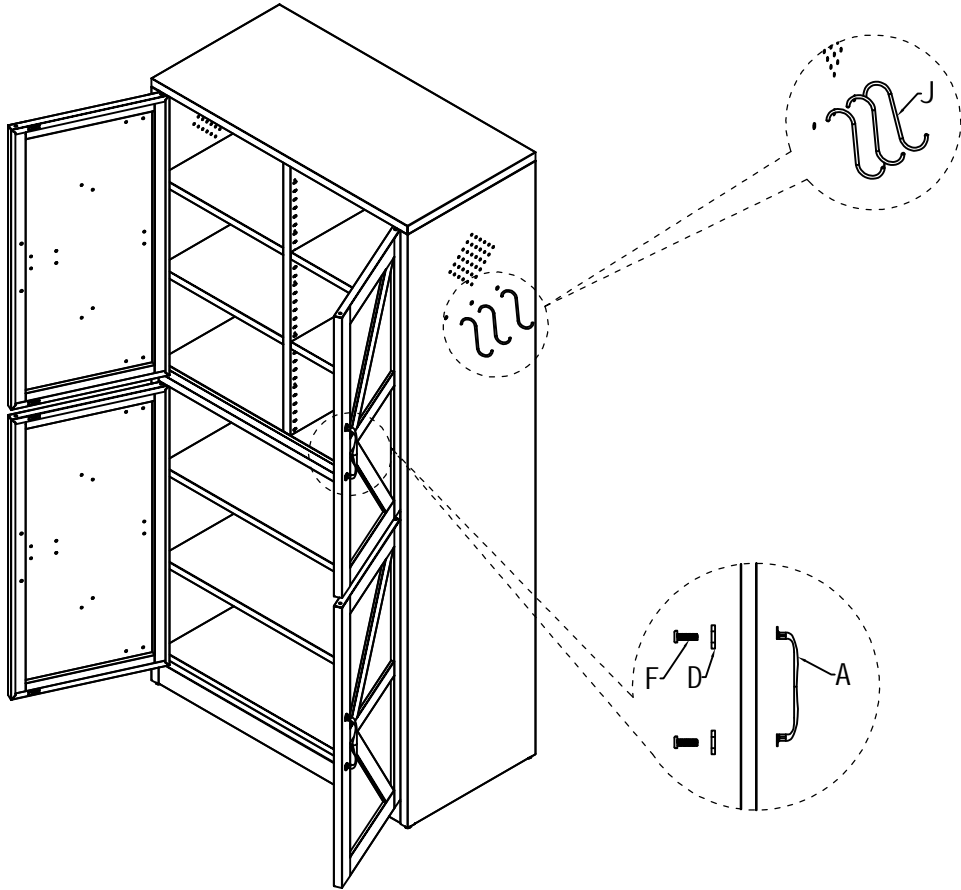
10

If the spring screw is missing from the door, you can find the screw K in the hardware package to install it.



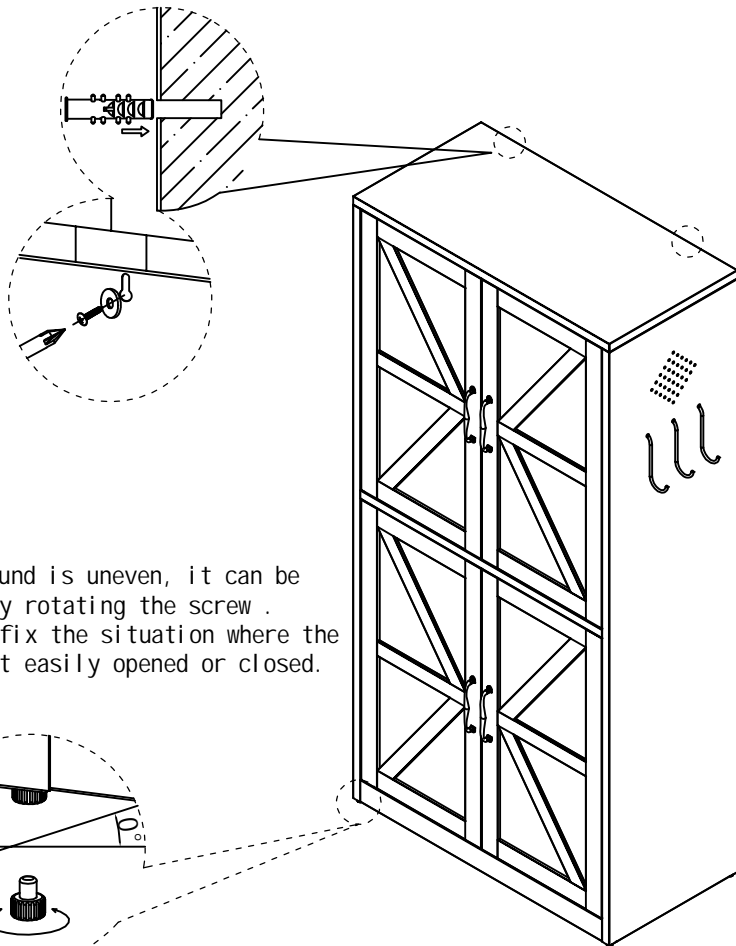
Install the door by first installing the door pin C, then by pressing the spring shafts on the top of the door.

11



A×4	
D×8	
F×8	
J×3	

12



H
H

If the ground is uneven, it can be adjusted by rotating the screw . This will fix the situation where the door is not easily opened or closed.

H×2	
I×2	