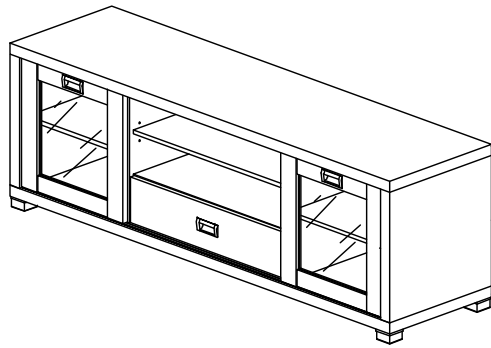
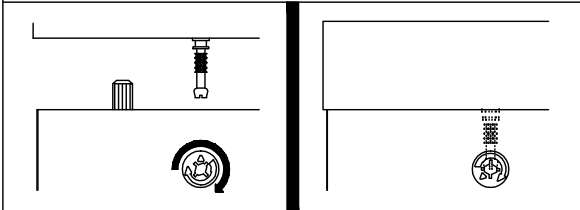


# Assembly Instruction

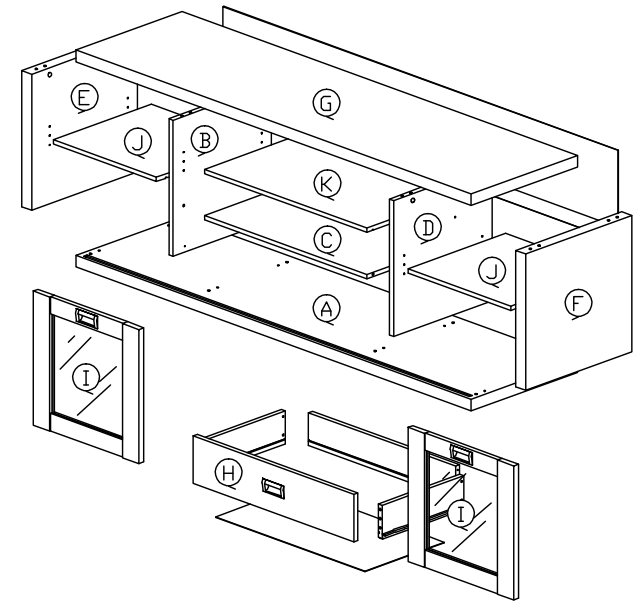


## Dowel / Cam - Lock Installation

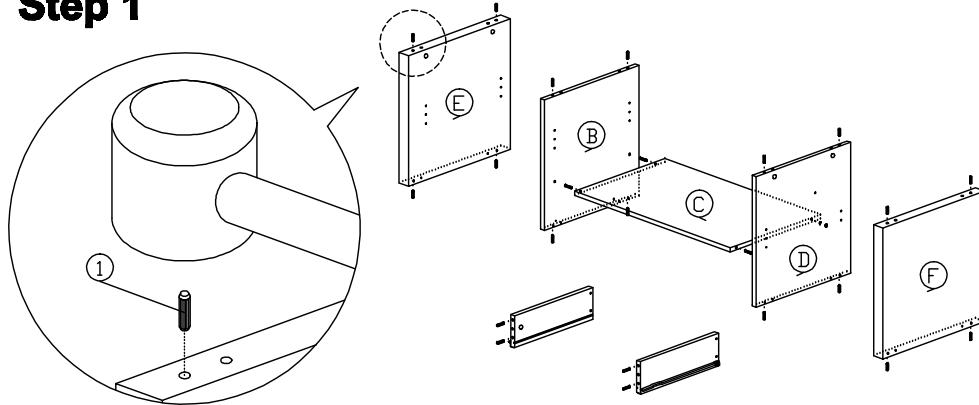


<i>Hardware List</i>			
<i>No.</i>	<i>SHAPE</i>	<i>DESCRIPTION</i>	<i>Qty.</i>
1		<b>8x25mm Wood Dowel</b>	24Pcs
2		<b>15MM Myfix Minifix</b>	10Set
3		<b>M3.5x12mm Screw</b>	4Pcs
4		<b>M3.5x16mm Screw</b>	24Pcs
5		<b>M4x38mm Screw</b>	4Pcs
6		<b>M4x65mm Screw</b>	8Pcs
7		<b>Nail</b>	40Pcs
8		<b>Shelf Support</b>	12Pcs
9		<b>Drawer Slide = 300mm</b>	1Set
10		<b>PVC Square Leg</b>	6Pcs
11		<b>PVC Profile U 128</b>	1Pc
12		<b>PVC Profile M 118</b>	1Pc

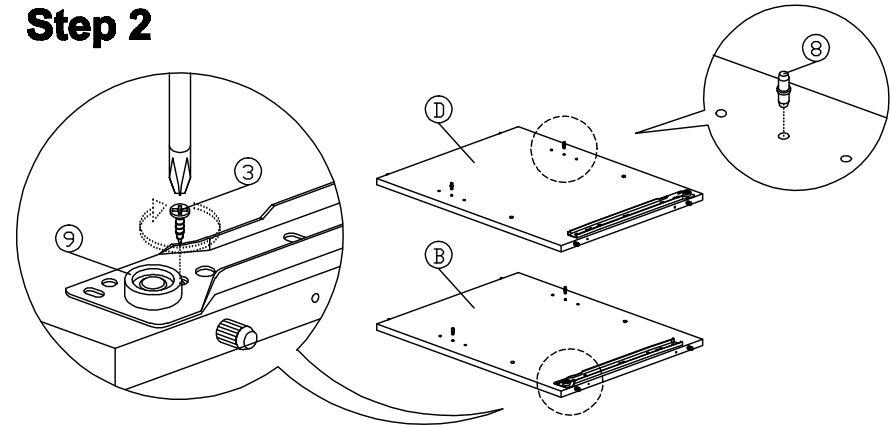
## Part List



## Step 1

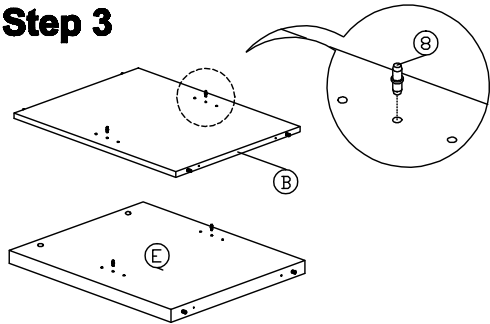


## Step 2

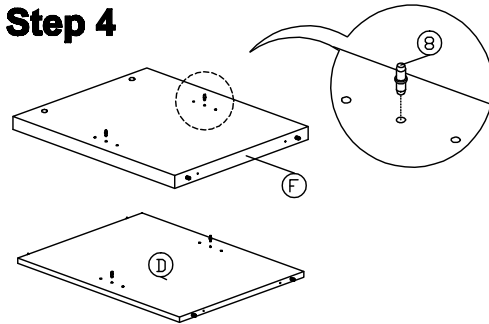


# Assembly Instruction

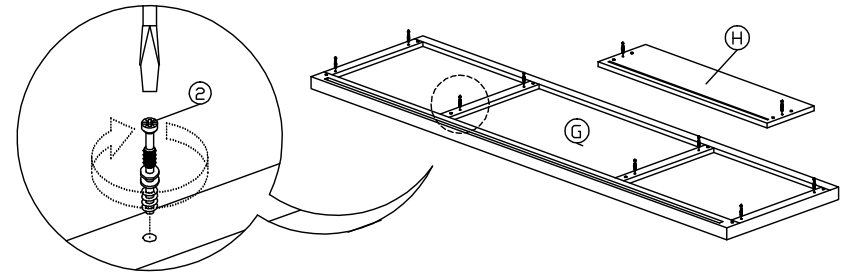
**Step 3**



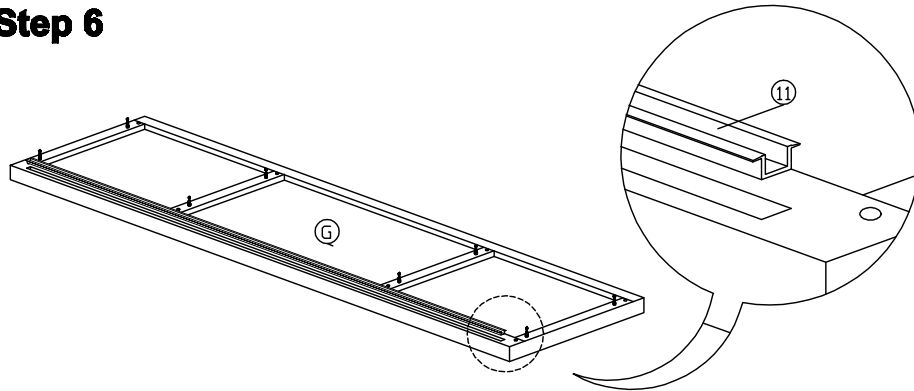
**Step 4**



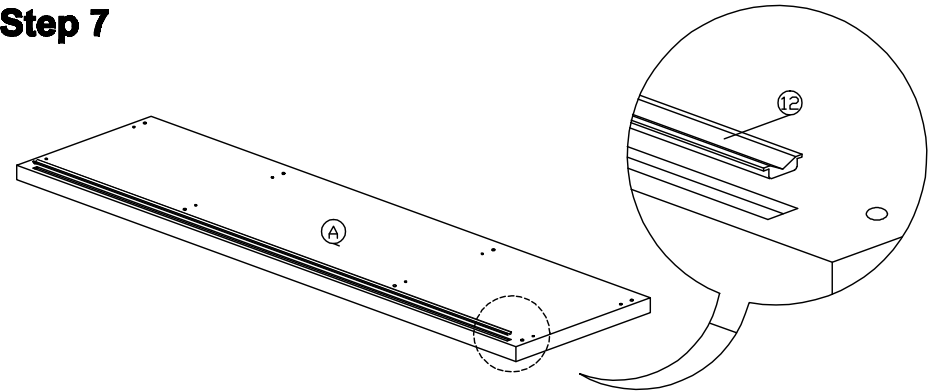
**Step 5**



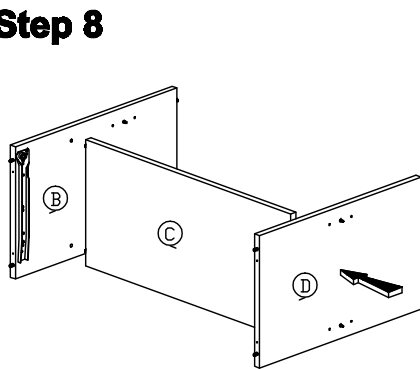
**Step 6**



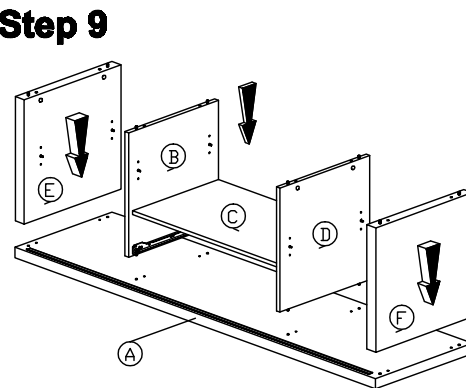
**Step 7**



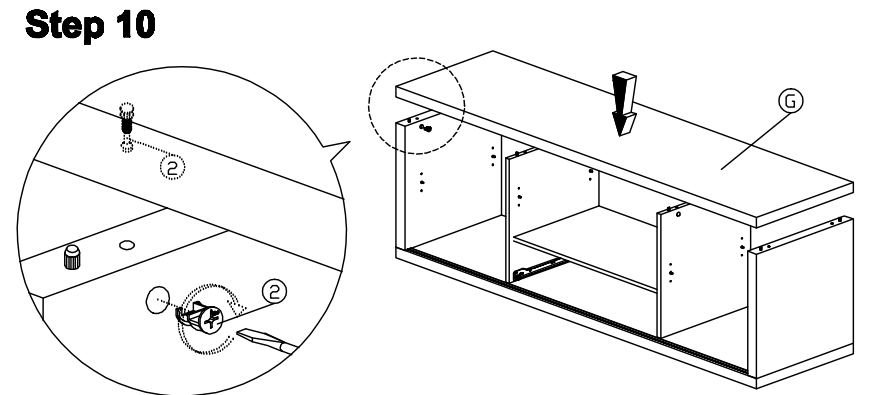
**Step 8**



**Step 9**

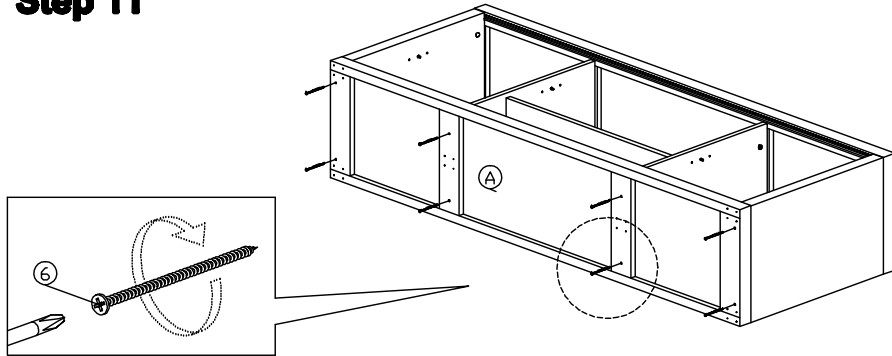


**Step 10**

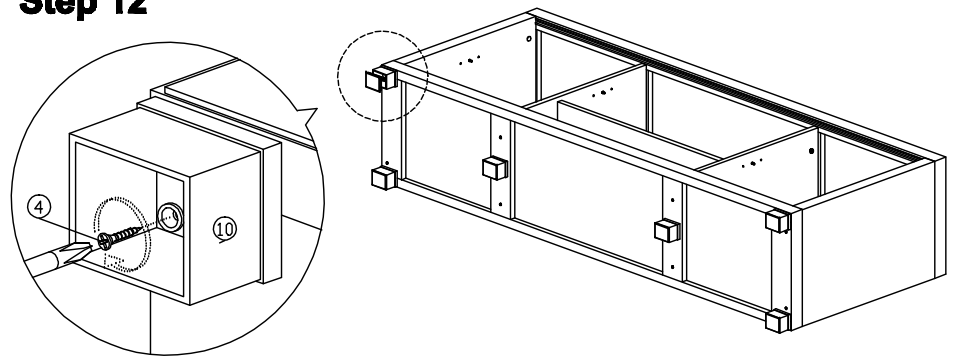


# Assembly Instruction

## Step 11

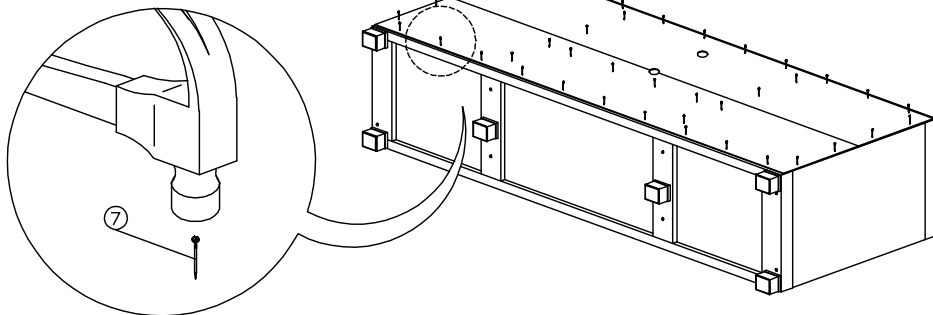


## Step 12

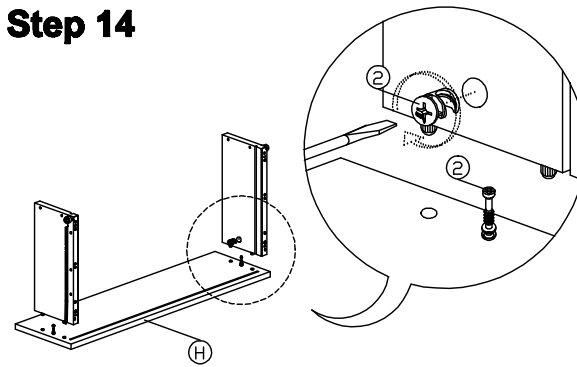


## Step 13

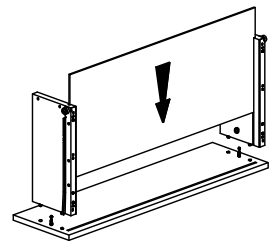
*\*Back View*



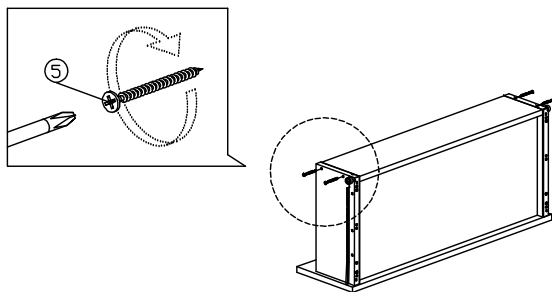
## Step 14



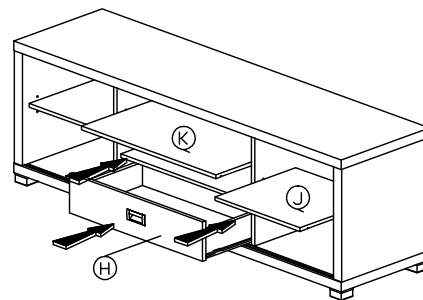
## Step 15



## Step 16



## Step 17



## Step 18

