

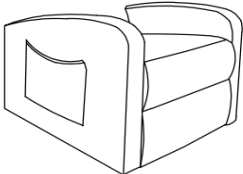
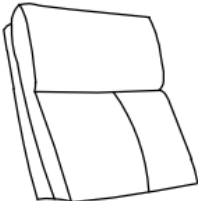



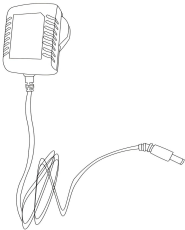
Assembly Instructions

CAUTION

DO NOT use any sharp objects to open plastic wrapped components as this may result damage to product or components .

Your recliner comes packaged in One box. Carefully remove all of components from the packaging and set aside for assembly.

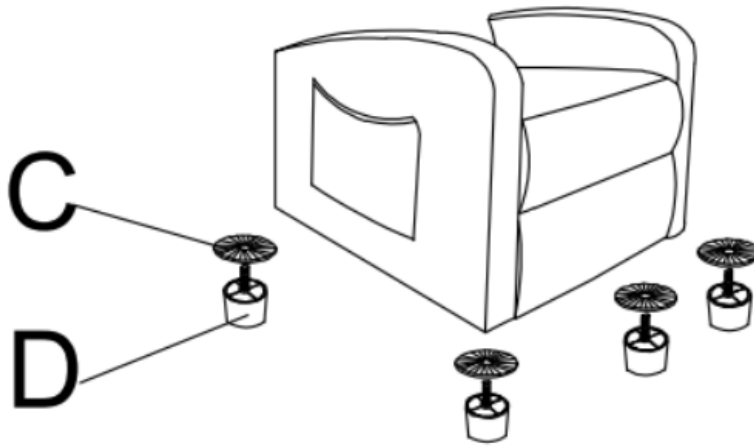
Package Contents

BOX 1				
	A*1	B*1	C*4	D*4
				
	E*1	F*1		

1 RECLINER ASSEMBLY - BODY SETUP

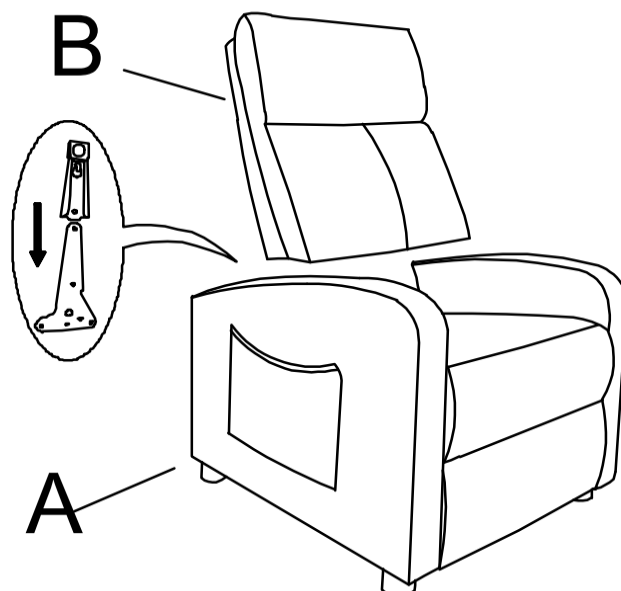
Step 1:

Insert the plastic foot (D) through the plastic washer (C) and secure it beneath the seat plate (A). When in use, be sure to tighten the leg fasteners thoroughly to ensure all components are securely installed.



Step 2:

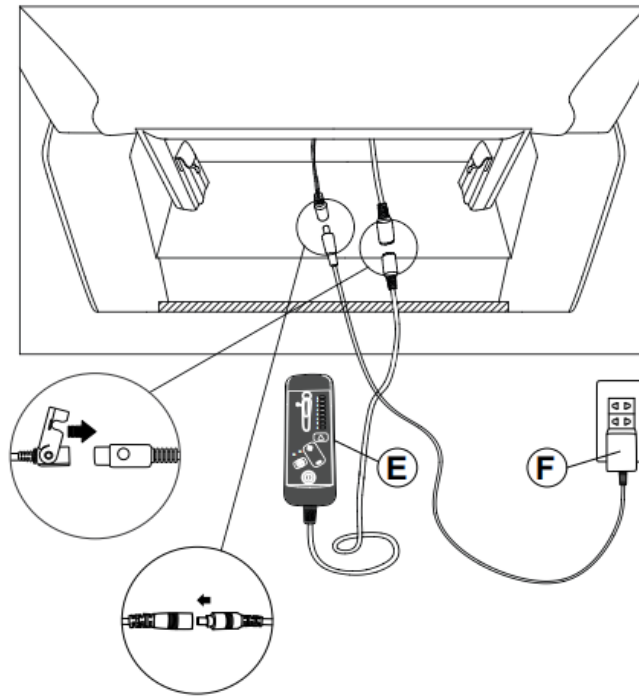
Install the **Back (B)** on the **Seat (A)** via aligning the metal slots to ensure a tight connection without wobbling.



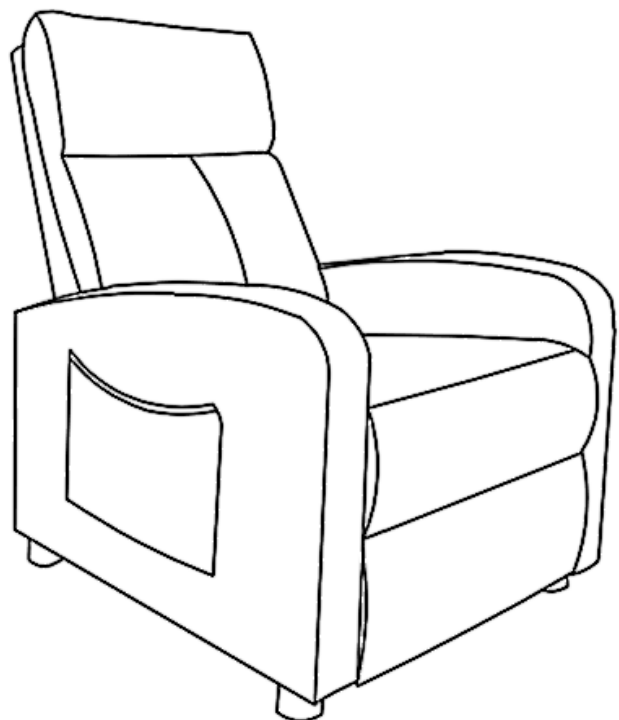
2 RECLINER ASSEMBLY - BODY SETUP

Step 3:

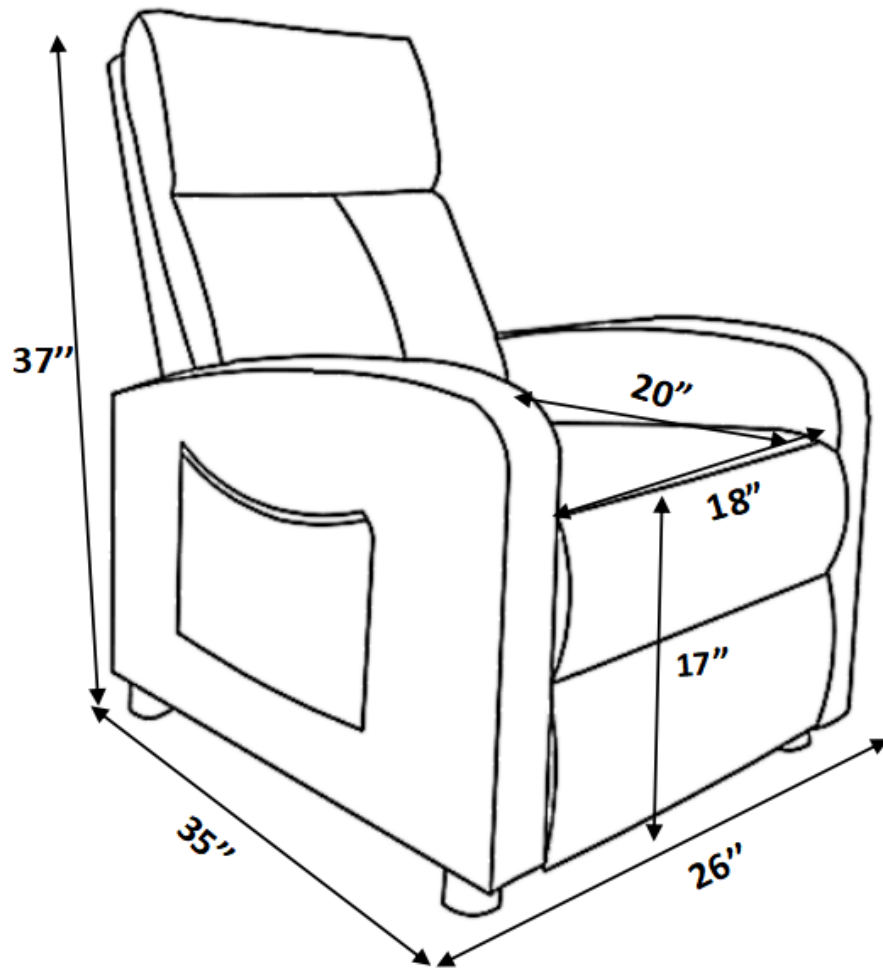
Finally, connect the power supply and remote controllers as indicated in the diagram (E/F).



ASSEMBLY COMPLETED



3 INSTRUCTIONS FOR USE - SIZE DIMENSIONS



Recliner

⚠️ WARNINGS

1. Please check if the components of the chair are all included and can be used normally.
2. Assemble all components according to the instruction correctly before you connect the chair to the power.
3. Please DO NOT sit on the armrests or footrest to eliminate the risk of tipping over.
4. If the chair is damaged or doesn't match the website description, please send clear pictures of the product and label of the carton to our service team for further help.

