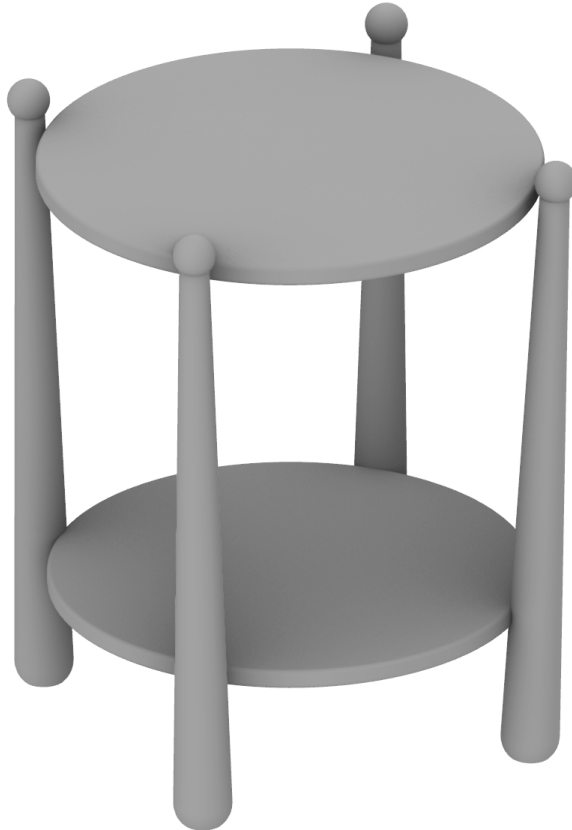


Owner Manual



15 : 00

estimated
assembly time



2 or more

people required

Ok, let's
get started!



- Put on mood music!
- To prevent damage to product, use the clean side of package carton or rug as working surface.
- In the event of missing or damaged parts, delivery problems etc., please reach out to our team. We will be happy to fix the problem!

care guide

- Clean regularly with a soft and dry cloth.
- To protect finish, avoid use of abrasive cleaners.
- Wipe up spills immediately. Please!



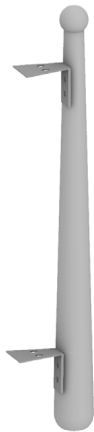
product parts



(A)
Table Top
x1



(B)
Shelf
x1

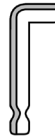


(C)
Legs
x4

what's included



(D)- Bolt
(12X6)
x16



(E)- Ball Allen Key
(4mm)
x1

WS White sticker

YS Yellow sticker

GS Green sticker

OS Orange sticker

assembly instructions

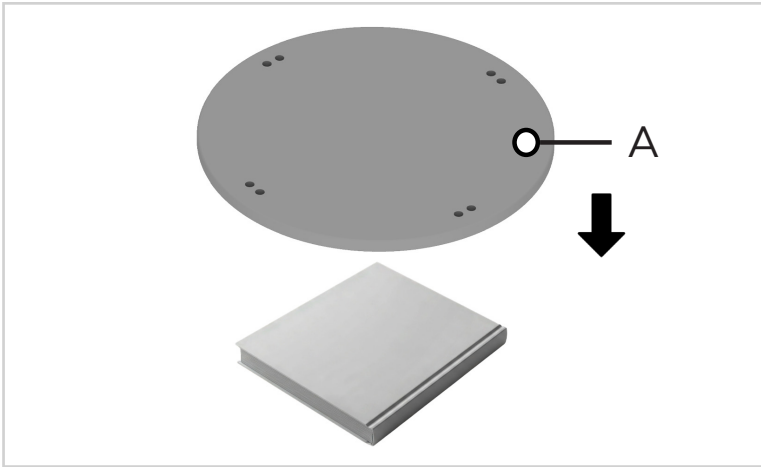
Friendly Tip: Take a deep breath going in. This may be a tricky part, but nothing too overwhelming. Just follow these steps to the T and the outcome will be worth it!



- ⓘ While assembling the product, tighten the bolts up to 50%. Once all parts are in place, only then fully tighten the bolts.

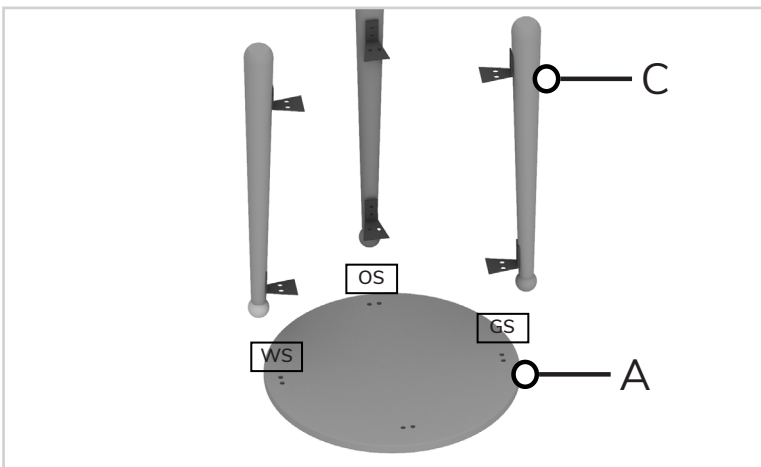
step 1:

Start by keeping a thick book on a flat surface and then place the table top (A) upside down over it.



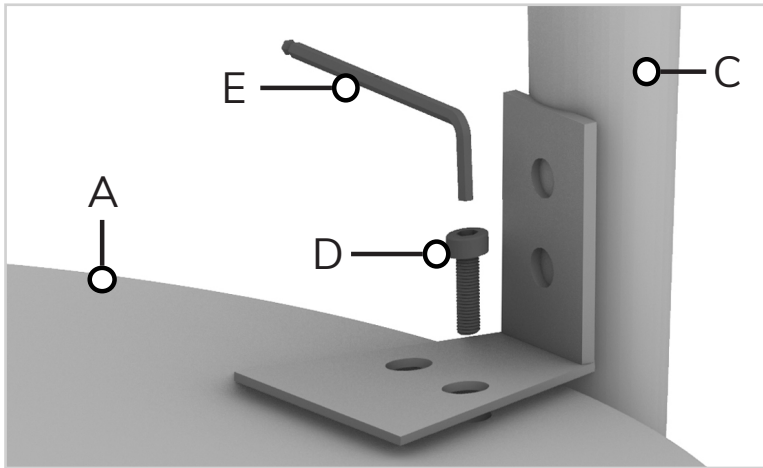
step 2:

Then, using the image below as a reference, align any 3 legs (C) with the slots on the table top. Ensure the stickers on the legs are similar to the stickers on the table top.



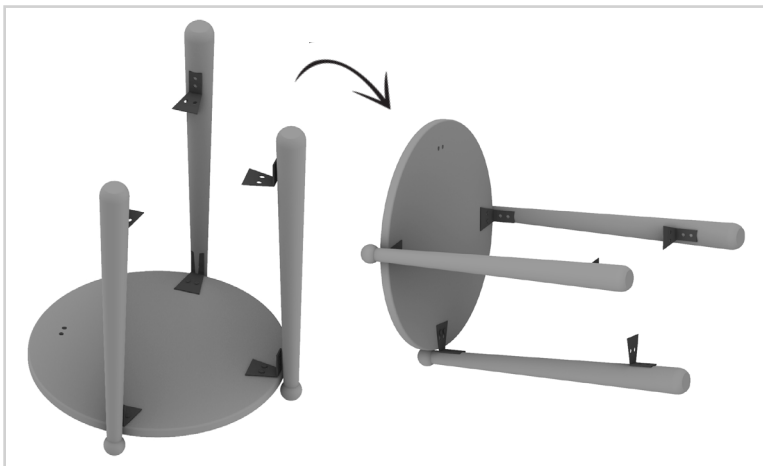
step 3:

Now, attach the 3 legs (C) with the table top (A) by inserting bolts (D) in the given slots. Tighten the bolt using allen key (E).



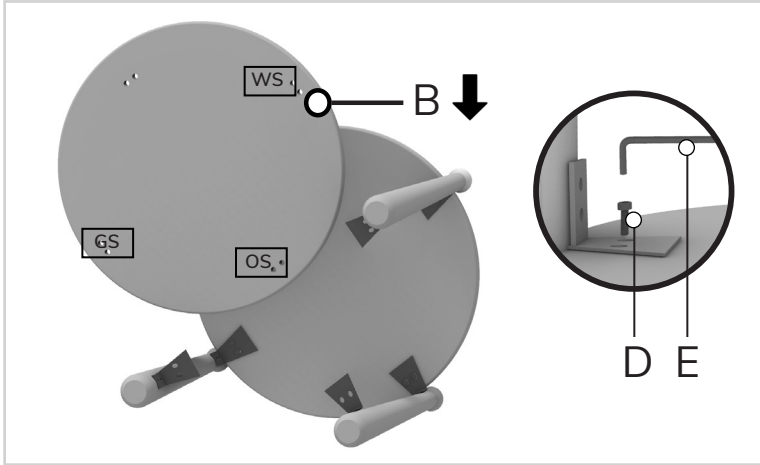
step 4:

Turn the table sideways as shown in the image below.



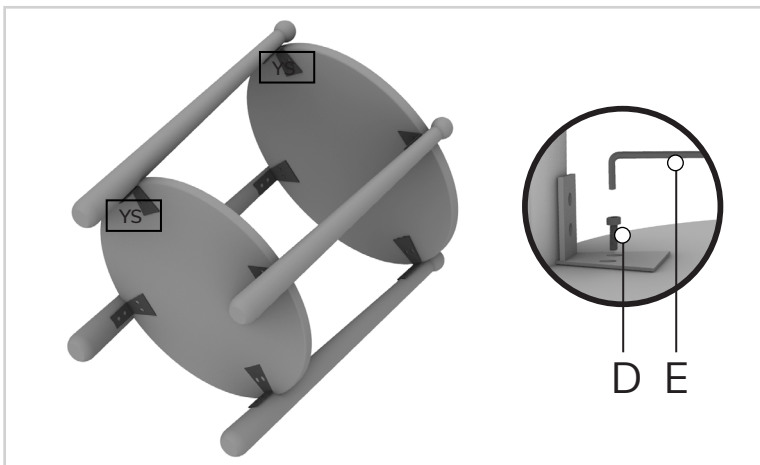
step 5:

Now, place the shelf (B) in between the legs, so that the lower slots on the legs (C) align with the holes on the shelf (B). Repeat step 3 to fix the shelf (B) in place. Ensure that the stickers on the shelf (B) & legs match.



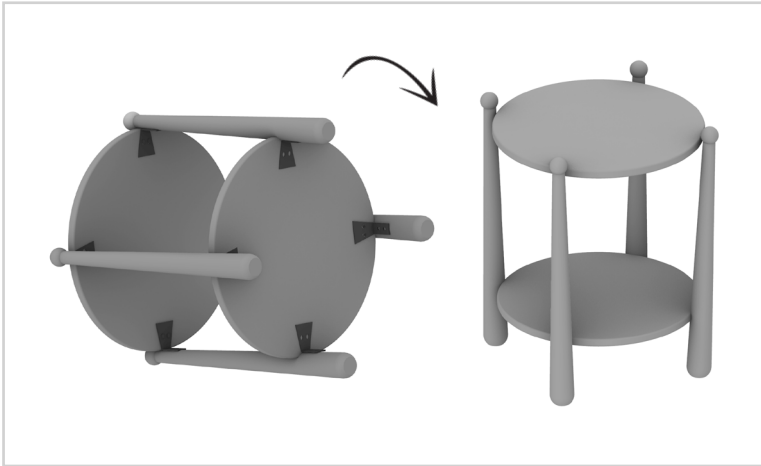
step 6:

When done, take the remaining fourth leg (C) and align it on the remaining holes given on the table top & shelf. Fix it in place by inserting bolts (D) in the given slots. Tighten the bolt using allen key (E).



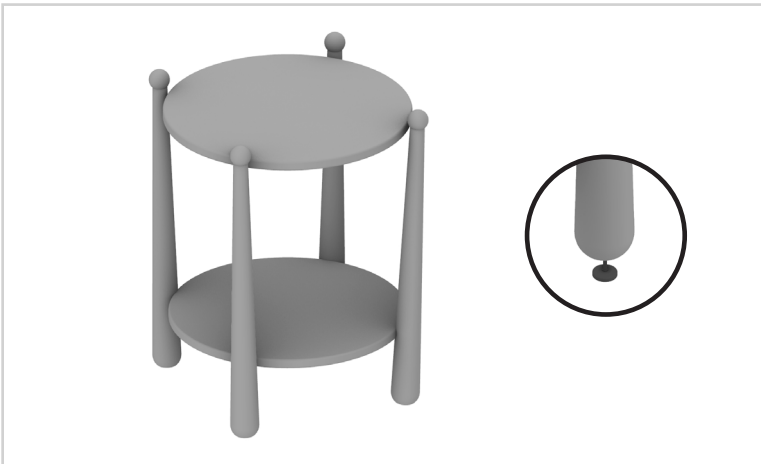
step 7:

Turn it into upright position.



step 8:

If required, adjust the levellers according to the floor.





Voila! Your end table is now assembled and secure!