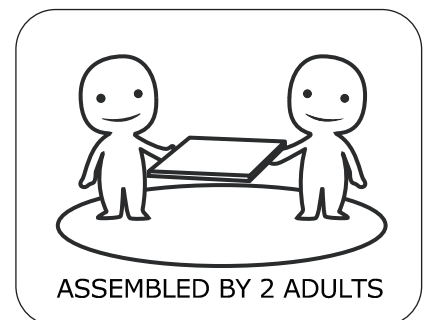
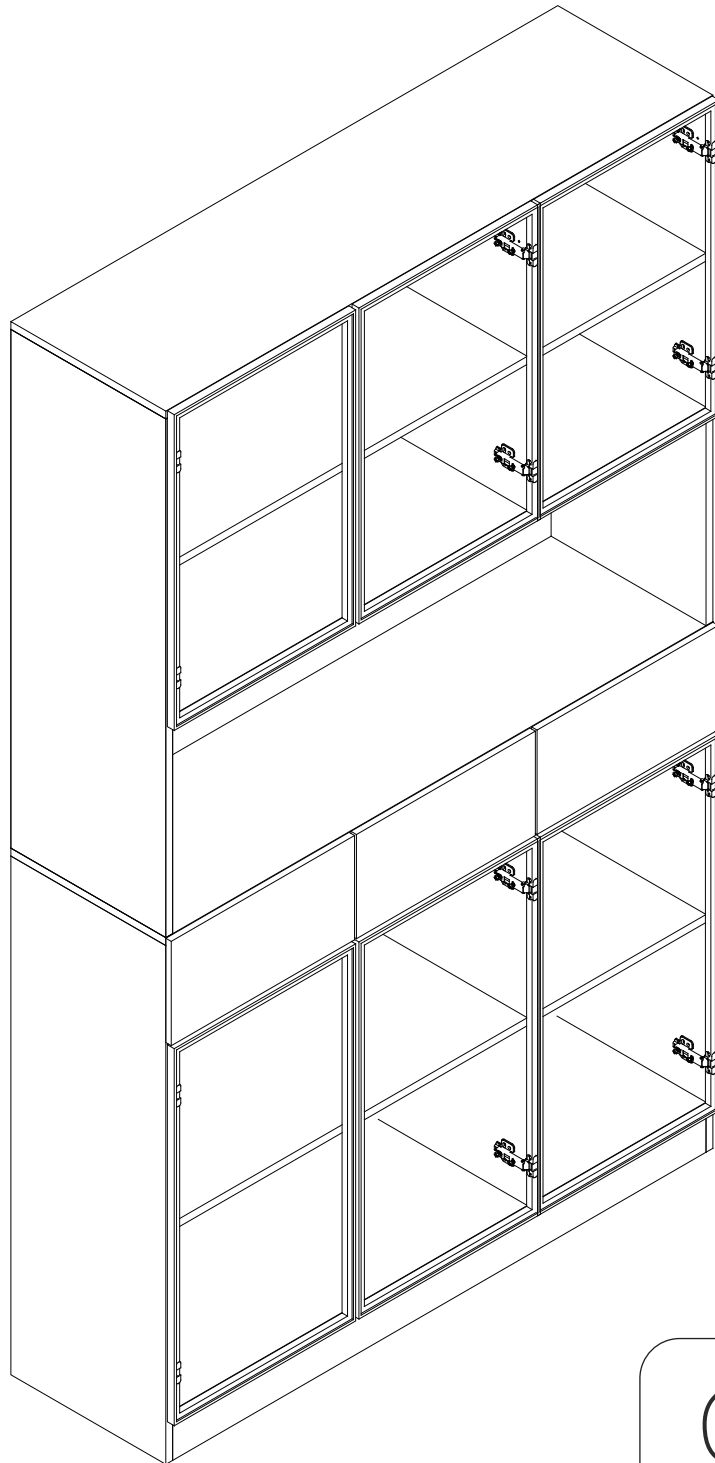
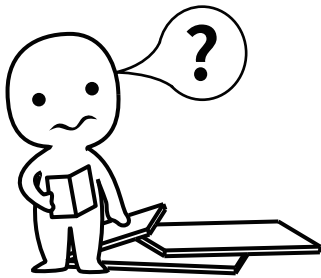


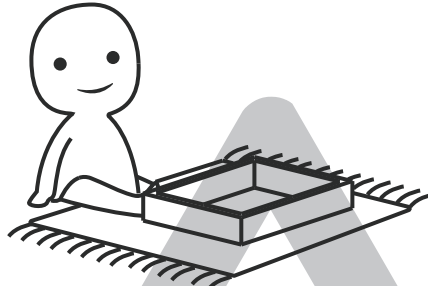
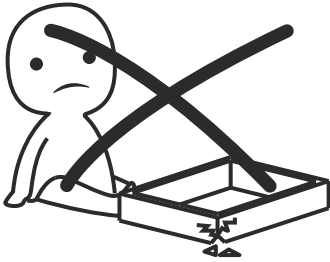
# Display Cabinet





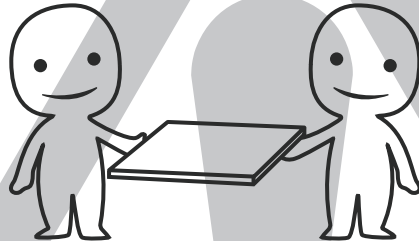
### **IMPORTANT INFORMATION!**

please read the entire manual before starting to assemble and/or using this product. follow the manual thoroughly and keep it for further reference.



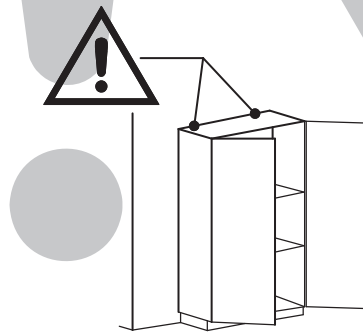
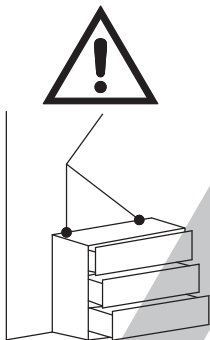
### **AVOID SCRATCHES!**

In order to avoid scratching this furniture should be assembled on a soft layer- could be a rug.



### **IMPROVE EFFICIENCY !**

Try to find a partner to install with you, which can speed up the installation efficiency and shorten the time.



### **ANTI-TOPPLE WARNING !**

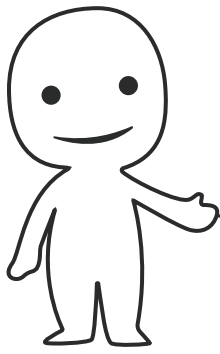
Overturnd furniture can cause serious or fatal crush injuries. To prevent tipping over, be sure to use the wall attachment, if not included with this product. Please purchase the wall attachment that fit your wall. If unsure, seek professional advice. Please read and follow each step of the instructions carefully.

### **IMPORTANT !**

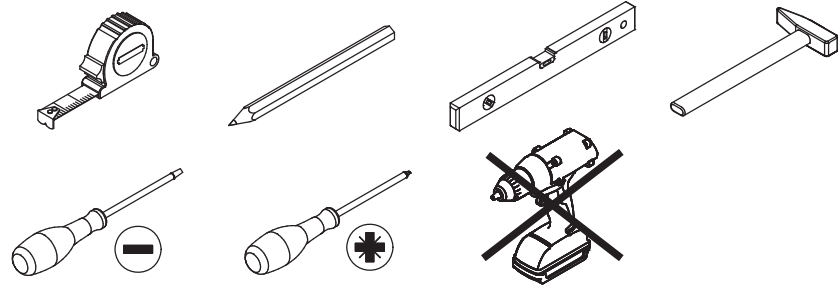
It is important that any product which is assembled using any kind of screw is re-tightened 2 weeks after assembly, and once every 3 months - in order to assure stability through-out the lifespan of the product.

For regular maintenance and cleaning of the product, for the frame, please use a rag dipped in neutral detergent to fully wipe it, and then dry it with a clean rag. For glass materials, wipe with a rag dampened with water glass cleaner, and then dry with a dry rag.

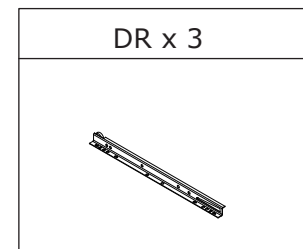
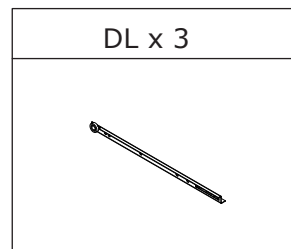
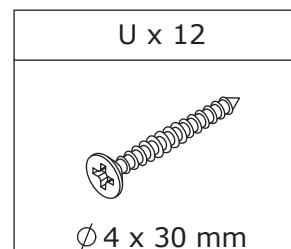
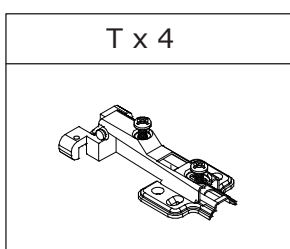
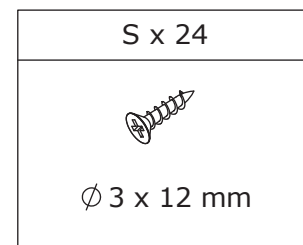
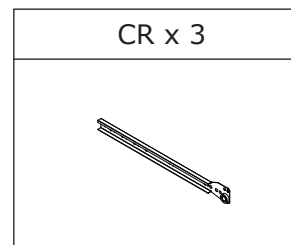
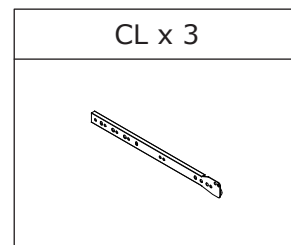
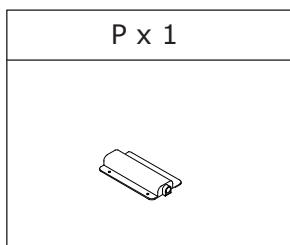
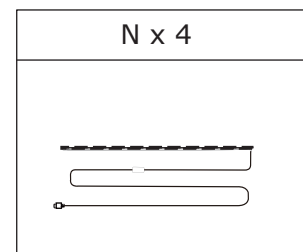
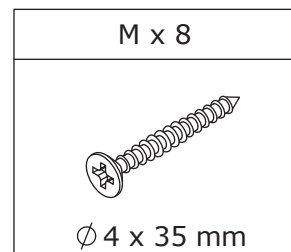
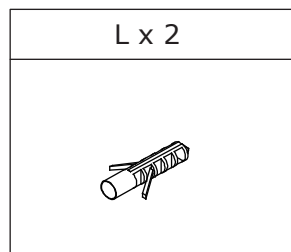
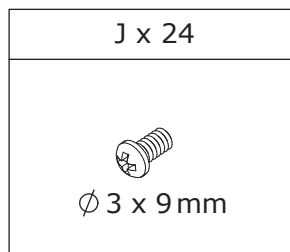
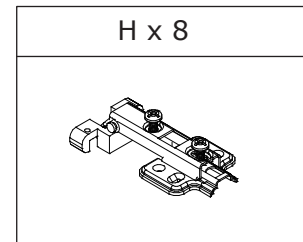
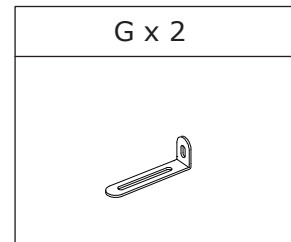
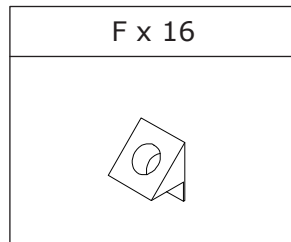
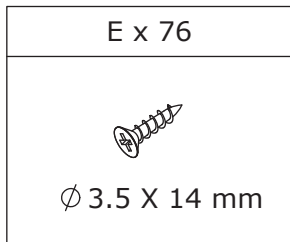
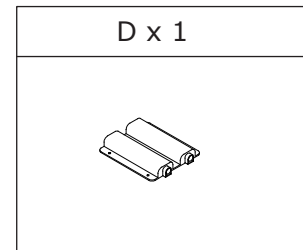
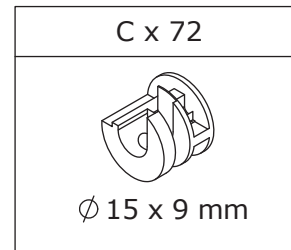
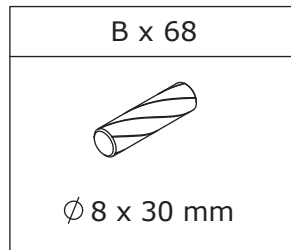
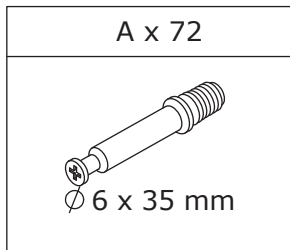
Do not use an electric screwdriver, and do not use too much force when installing, because the board is easy to break.

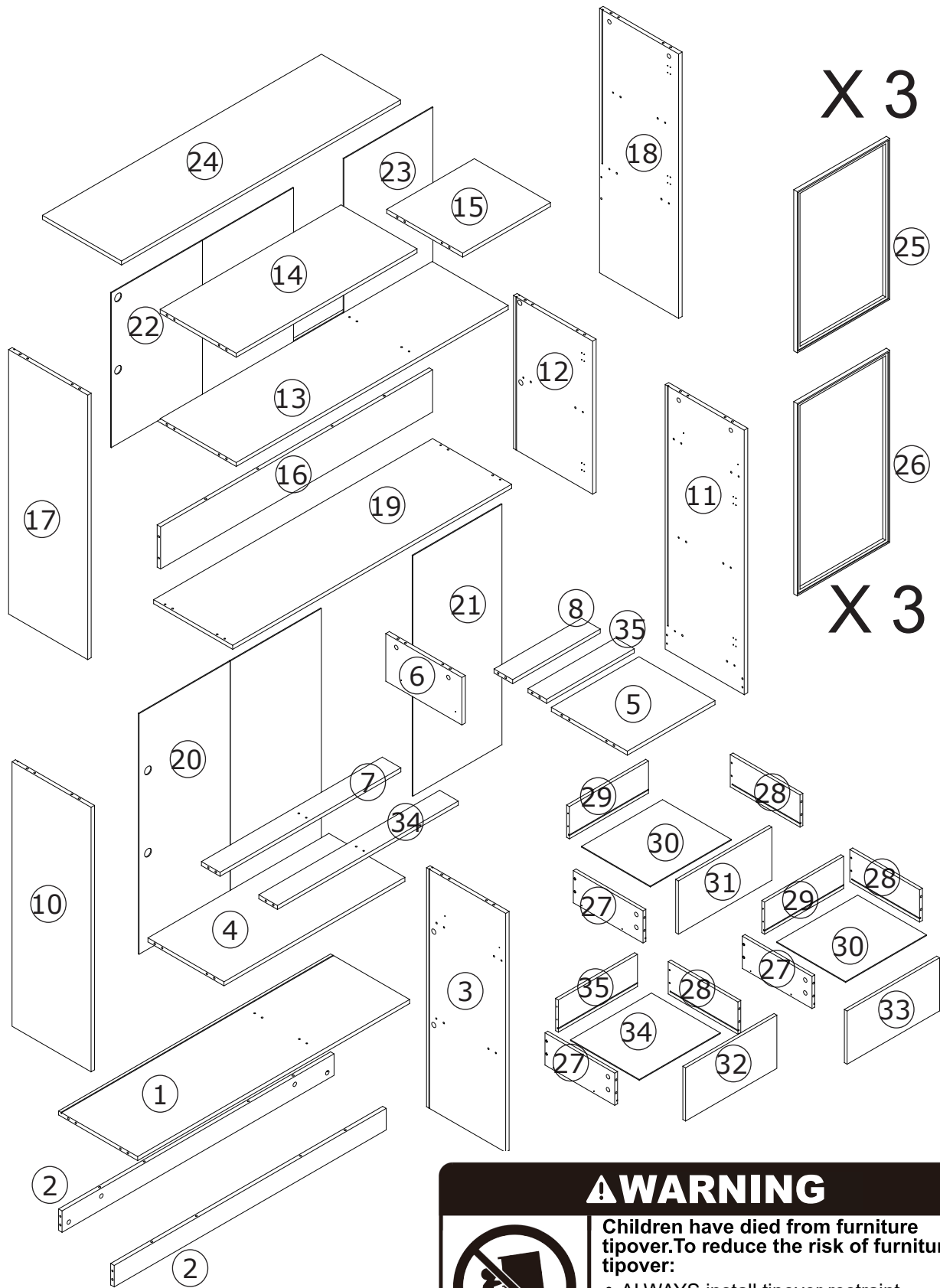


Please prepare the following tools



When installing, please carefully confirm whether each screw corresponds to the manual, accessories with similar shapes can be distinguished by size





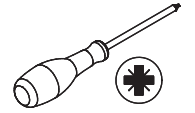
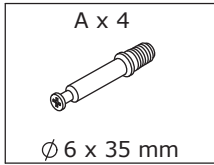
**⚠ WARNING**

**Children have died from furniture tipover. To reduce the risk of furniture tipover:**

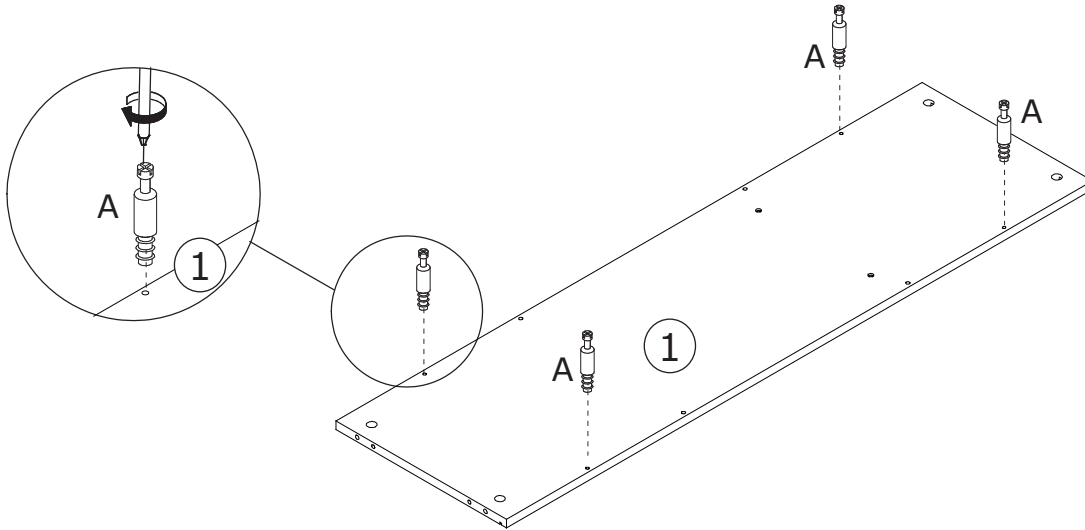
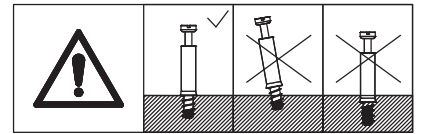
- ALWAYS install tipover restraint provided.
- NEVER put a TV on this product.
- NEVER allow children to stand, climb or hang on drawers, doors, or shelves.
- NEVER open more than one drawer at a time.
- Place heaviest items in the lowest drawers.

*This is a permanent label. Do not remove!*

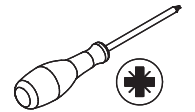
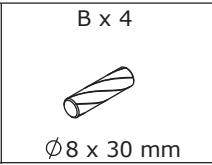
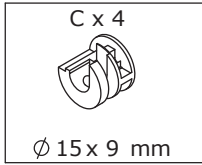
1



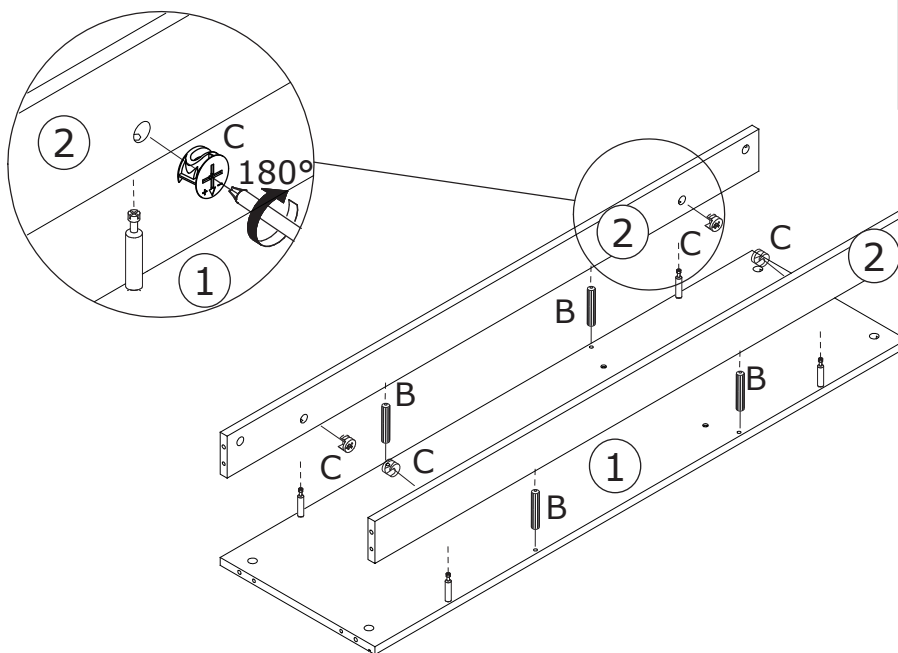
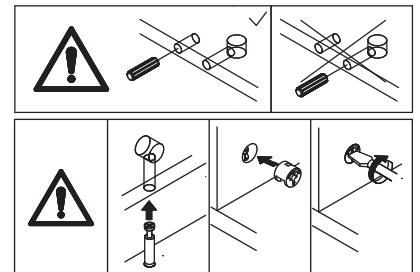
Screw eccentric rod A into board 1.



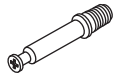
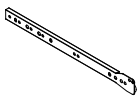
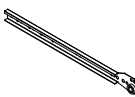

2

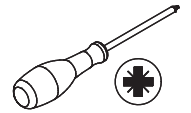


Insert wooden dowel B into board 1, connecting board 1 and two pieces of board 2.  
Turn eccentric wheel C clockwise to lock.

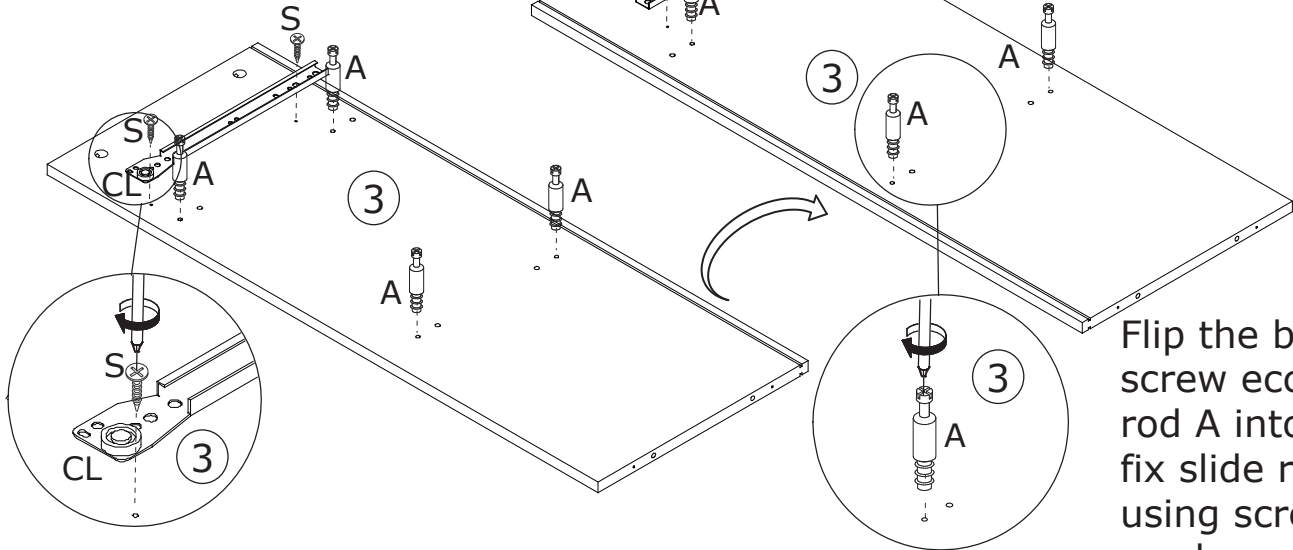
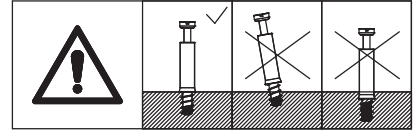
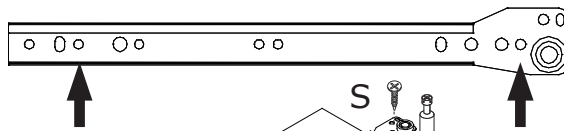


3

A x 8  Ø 6 x 35 mm	CL x 1 	CR x 1 	S x 4  Ø 3 x 12 mm
---	---	---	---





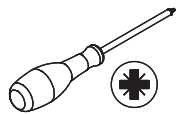
Screw eccentric rod A into board 3 and fix slide rail CL using screw S as shown.



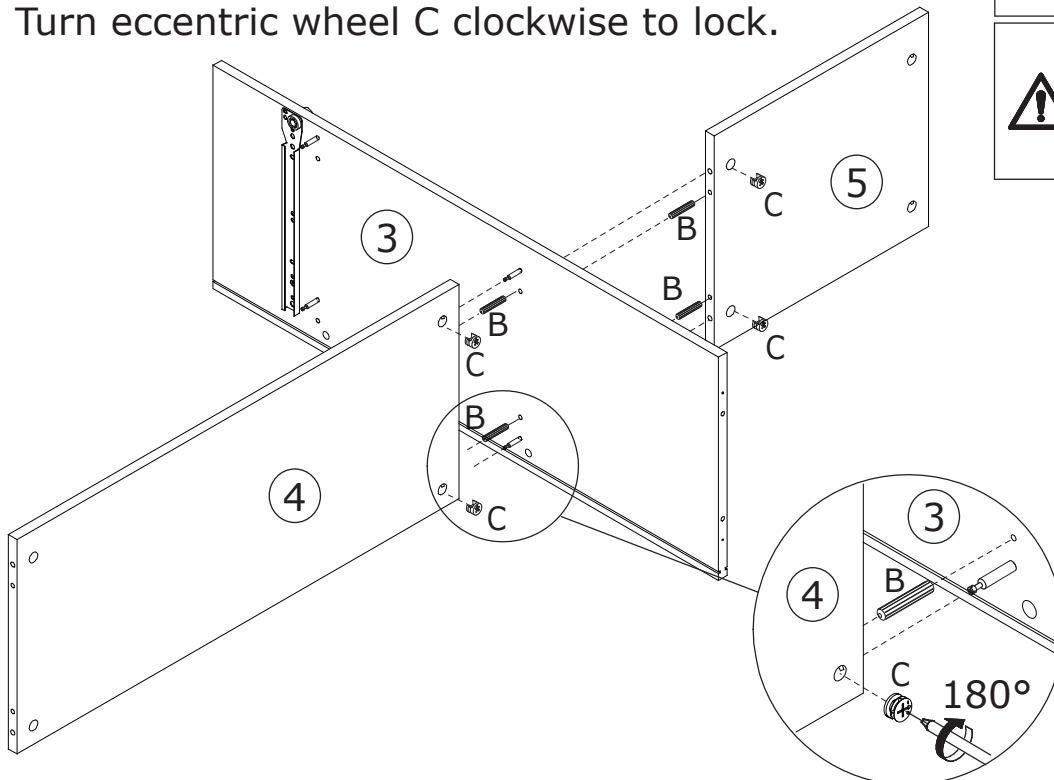
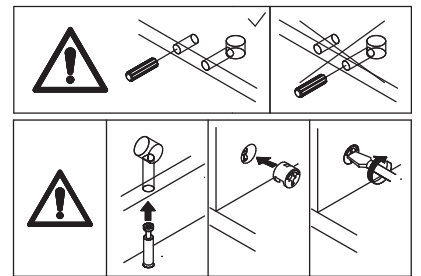
Flip the board, screw eccentric rod A into and fix slide rail CR using screw S as shown.

4

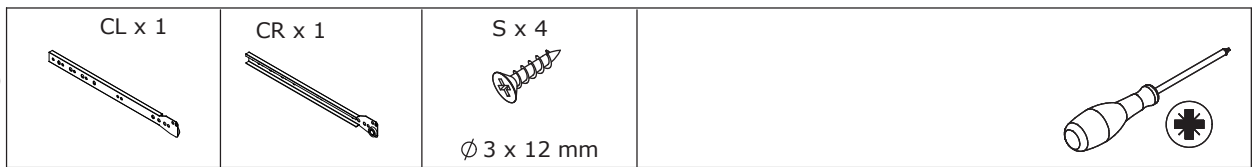
C x 4  Ø 15 x 9 mm	B x 4  Ø 8 x 30 mm
---	---



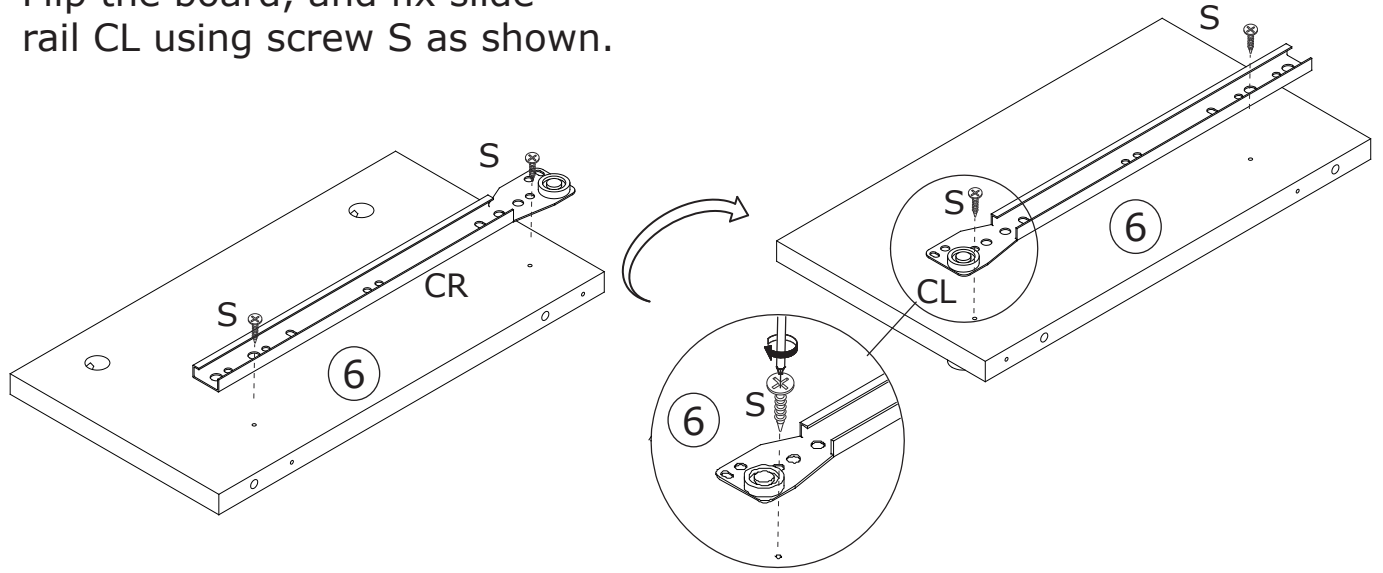
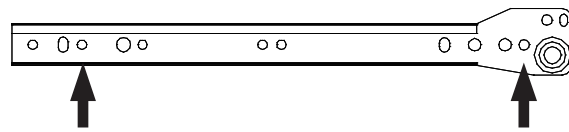
Insert wooden dowel B into board 3, connecting board 4 and board 5.  
Turn eccentric wheel C clockwise to lock.



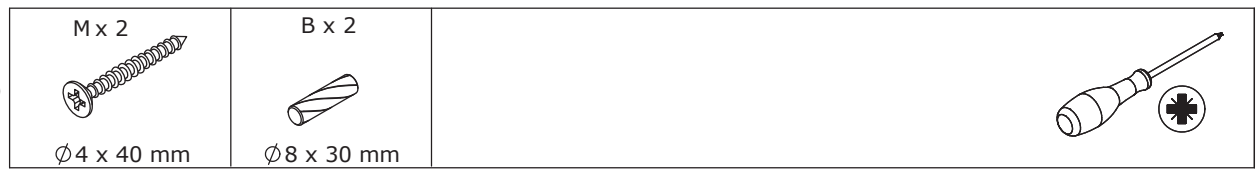
5



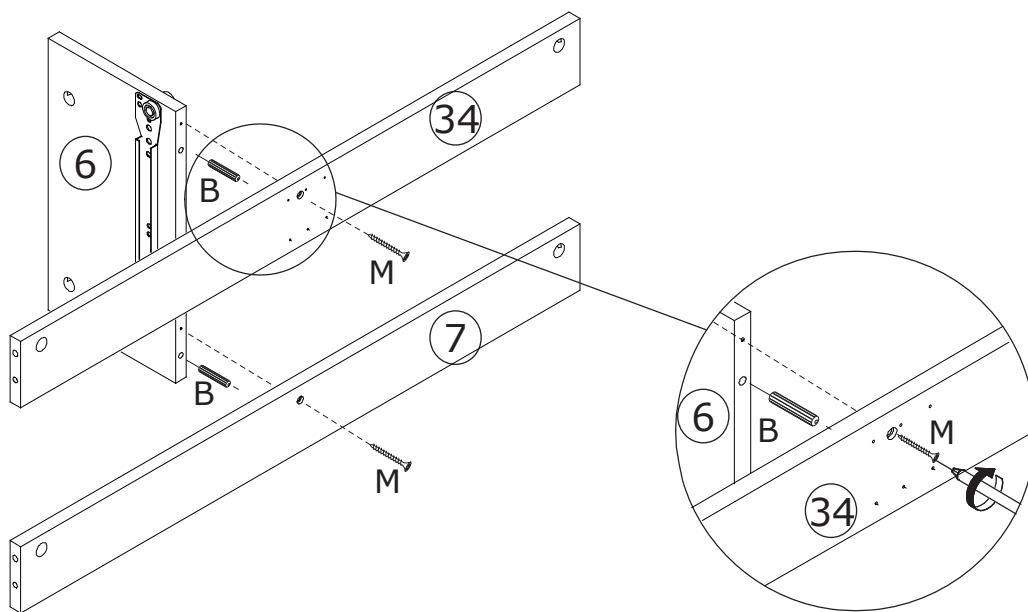
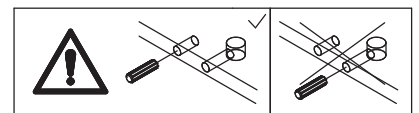
Fix slide rail CR to board 6 using screw S as shown. Flip the board, and fix slide rail CL using screw S as shown.



6



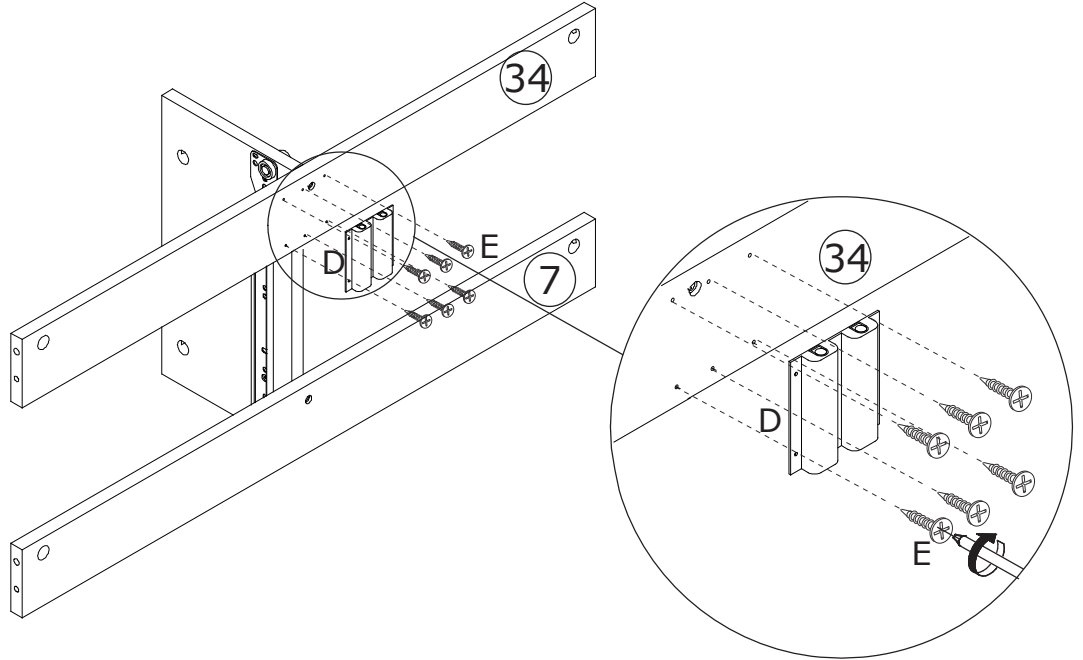
Insert wooden dowel B into board 6, connecting board 34 and board 7. Fix using screw M as shown.



7



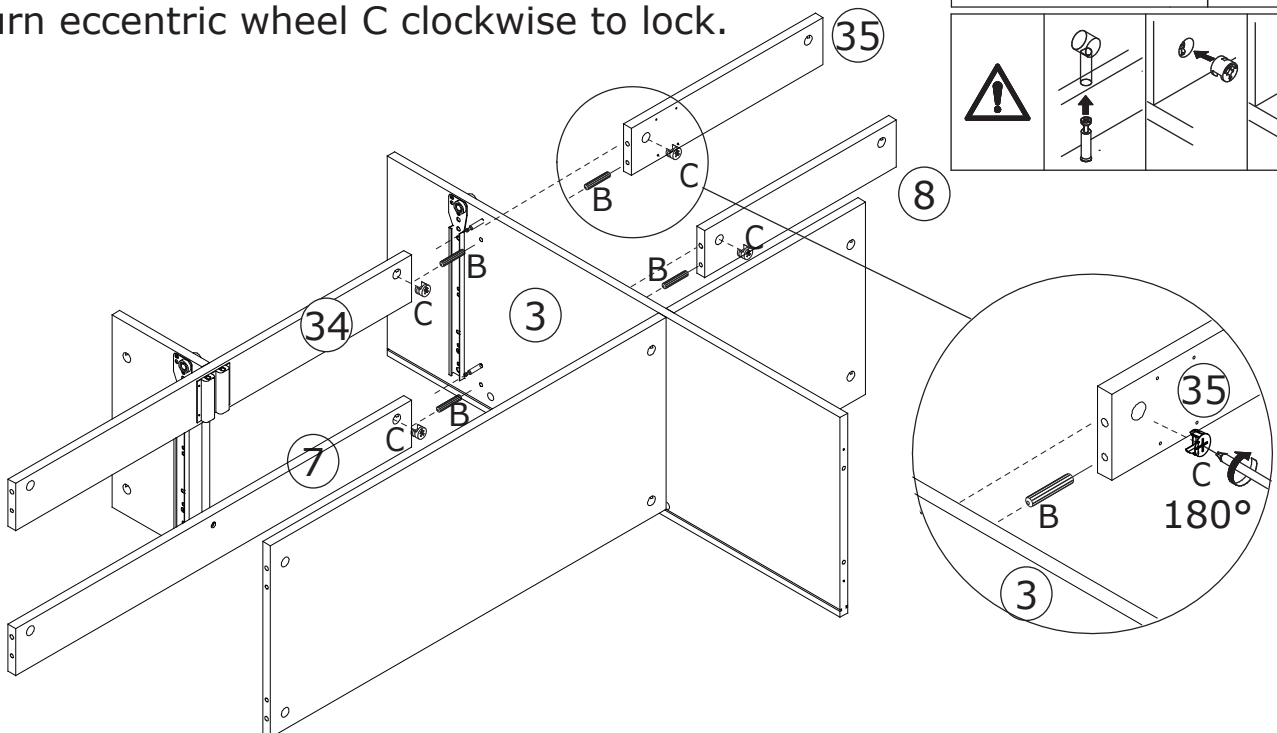
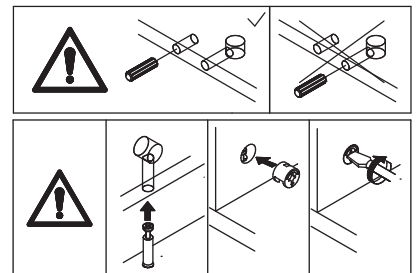
Fix rebounder D onto board 34 with screw E.



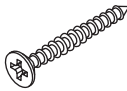

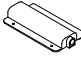

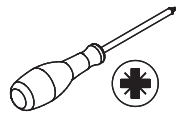
8



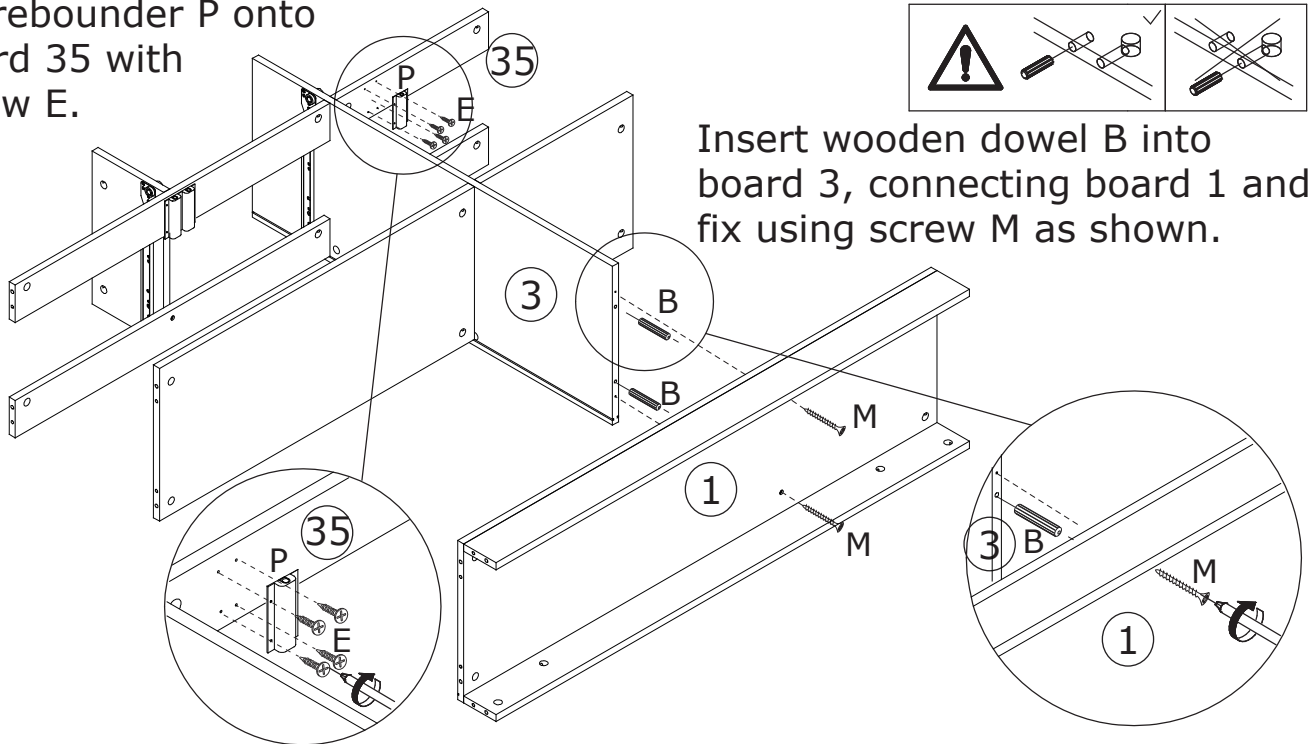
Insert wooden dowel B into board 3, connecting board 8, board 35, board 34 and board 7.  
Turn eccentric wheel C clockwise to lock.



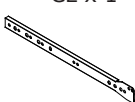



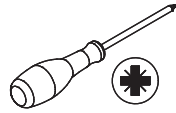
9

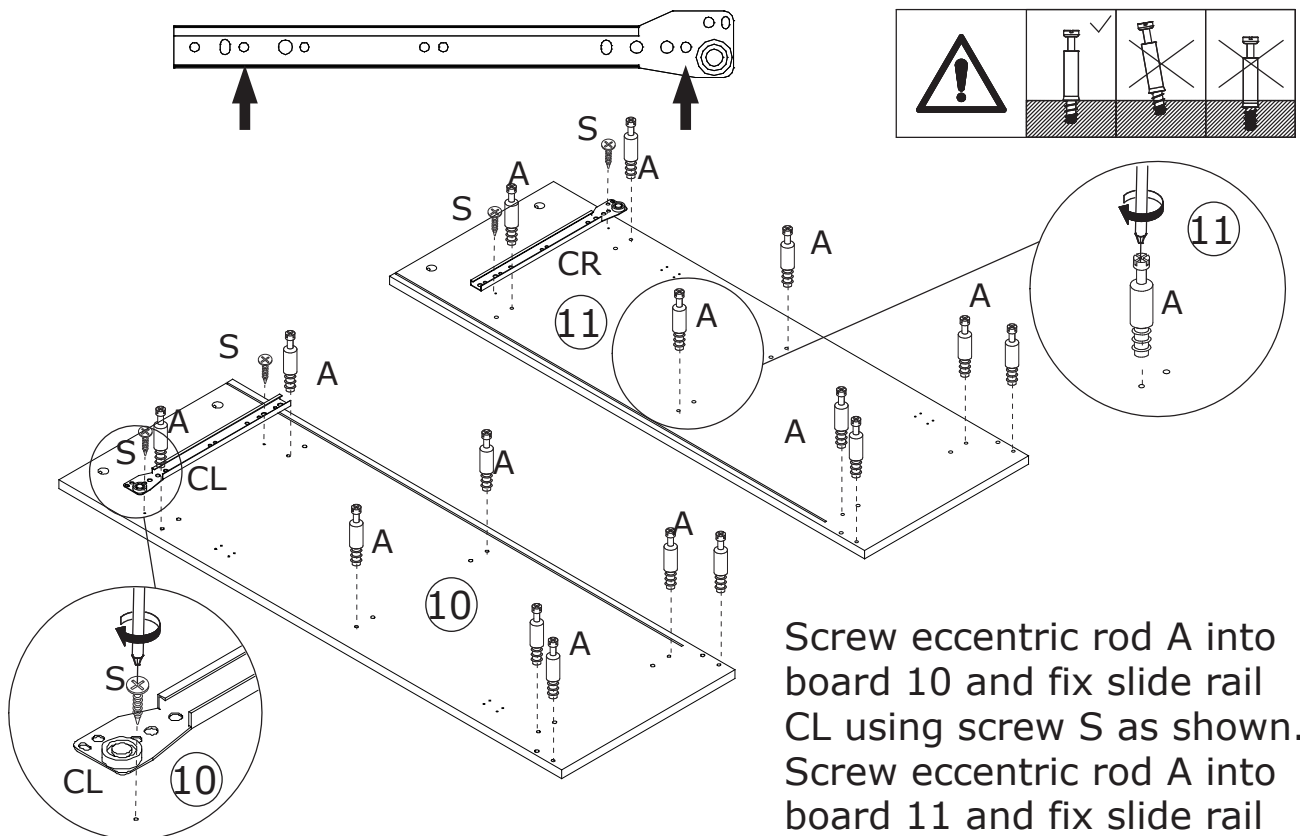
M x 2  Ø4 x 35 mm	B x 2  Ø8 x 30 mm	P x 1 	E x 4  Ø3.5 X 14 mm	
--	--	--	--	---

Fix rebounder P onto board 35 with screw E.



10

CL x 1 	CR x 1 	S x 4  Ø3 x 12 mm	A x 16  Ø6 x 35 mm	
---	---	--	--	---

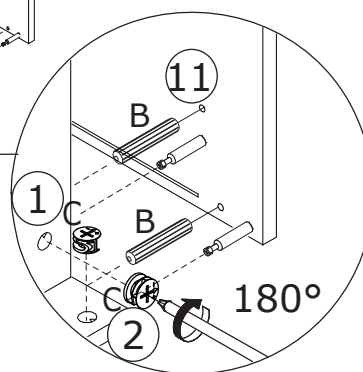
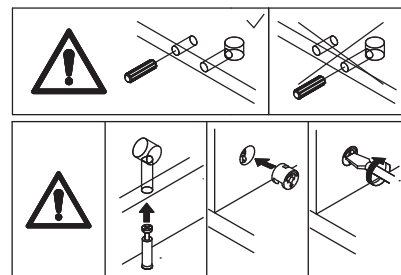
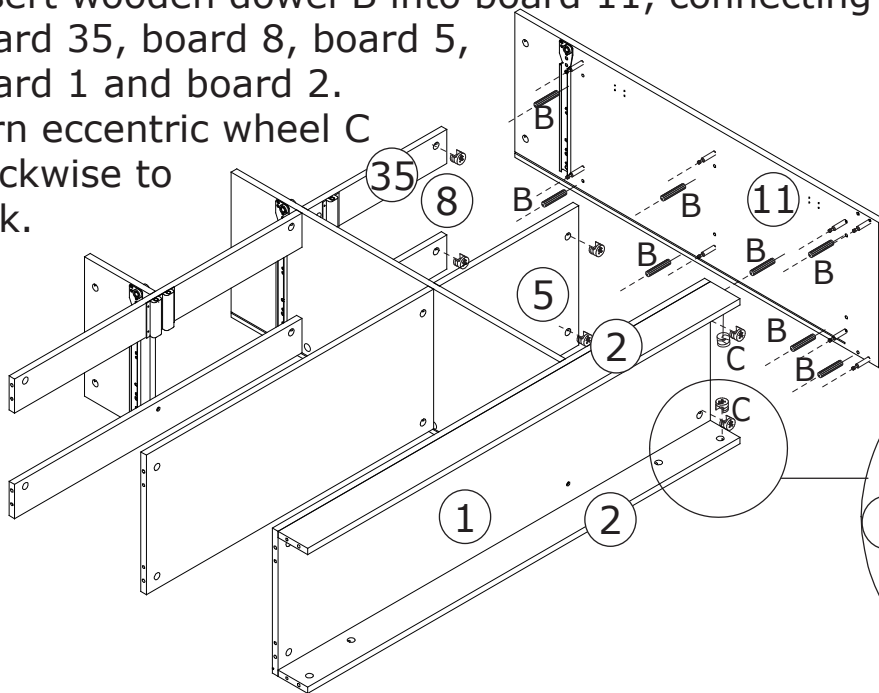


# 11



Insert wooden dowel B into board 11, connecting board 35, board 8, board 5, board 1 and board 2.

Turn eccentric wheel C clockwise to lock.

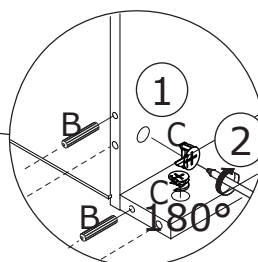
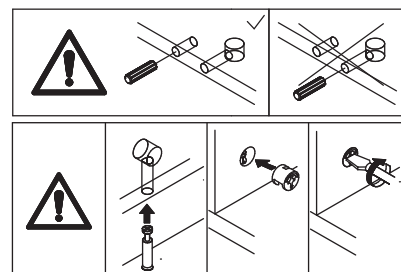
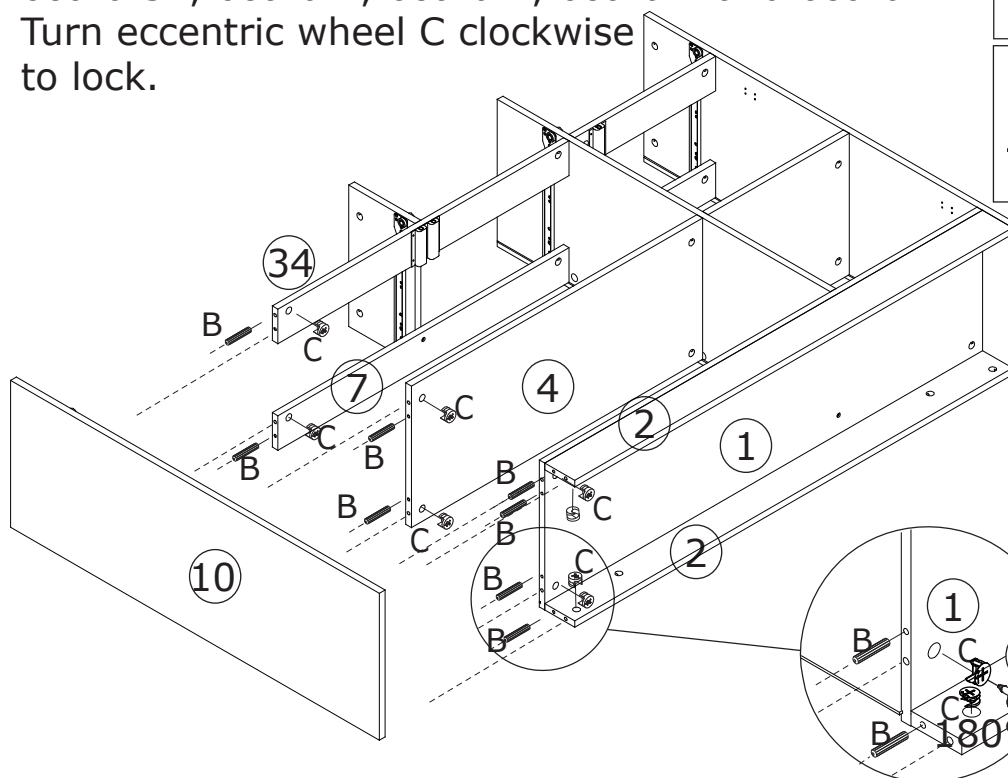


# 12

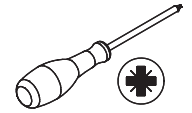
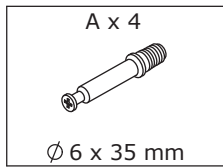


Insert wooden dowel B into board 10, connecting board 34, board 7, board 4, board 1 and board 2.

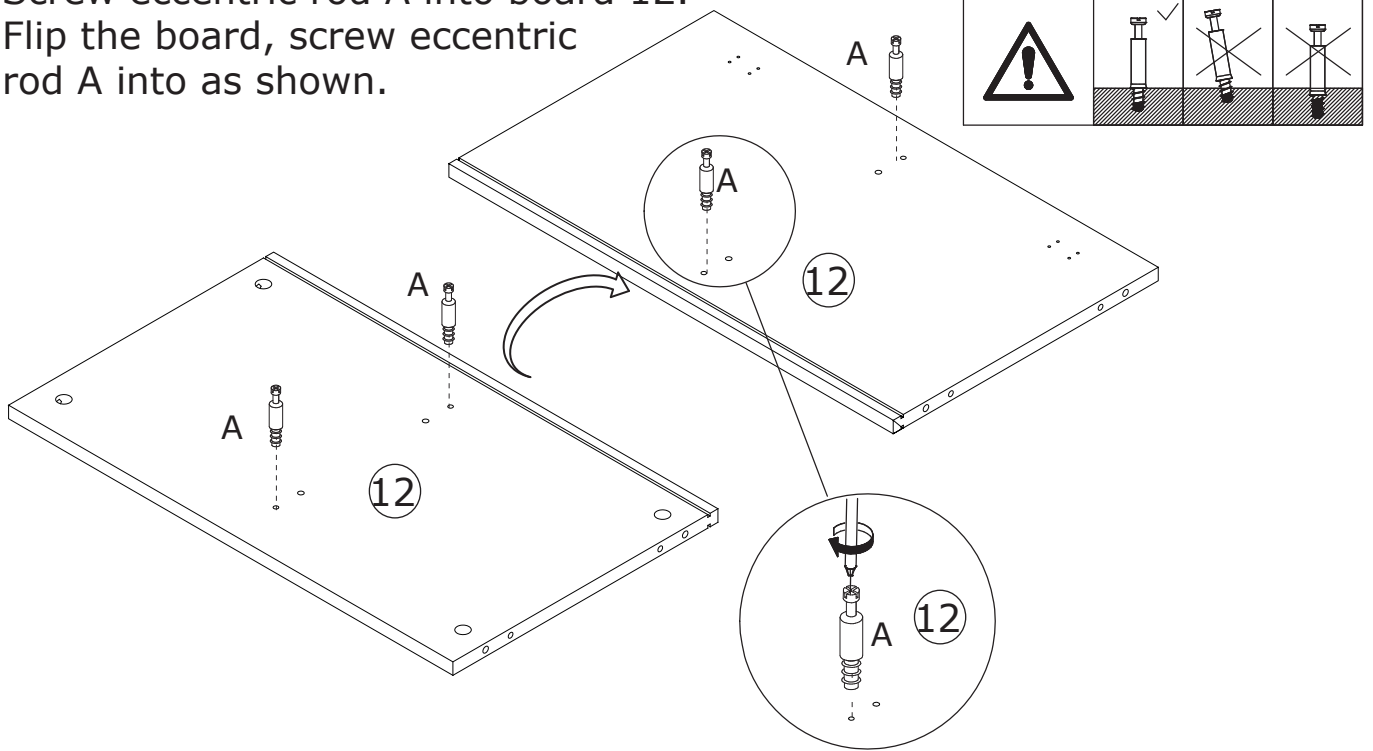
Turn eccentric wheel C clockwise to lock.



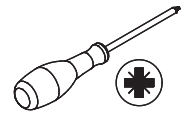
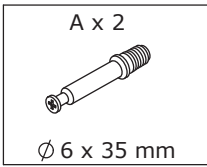
# 13



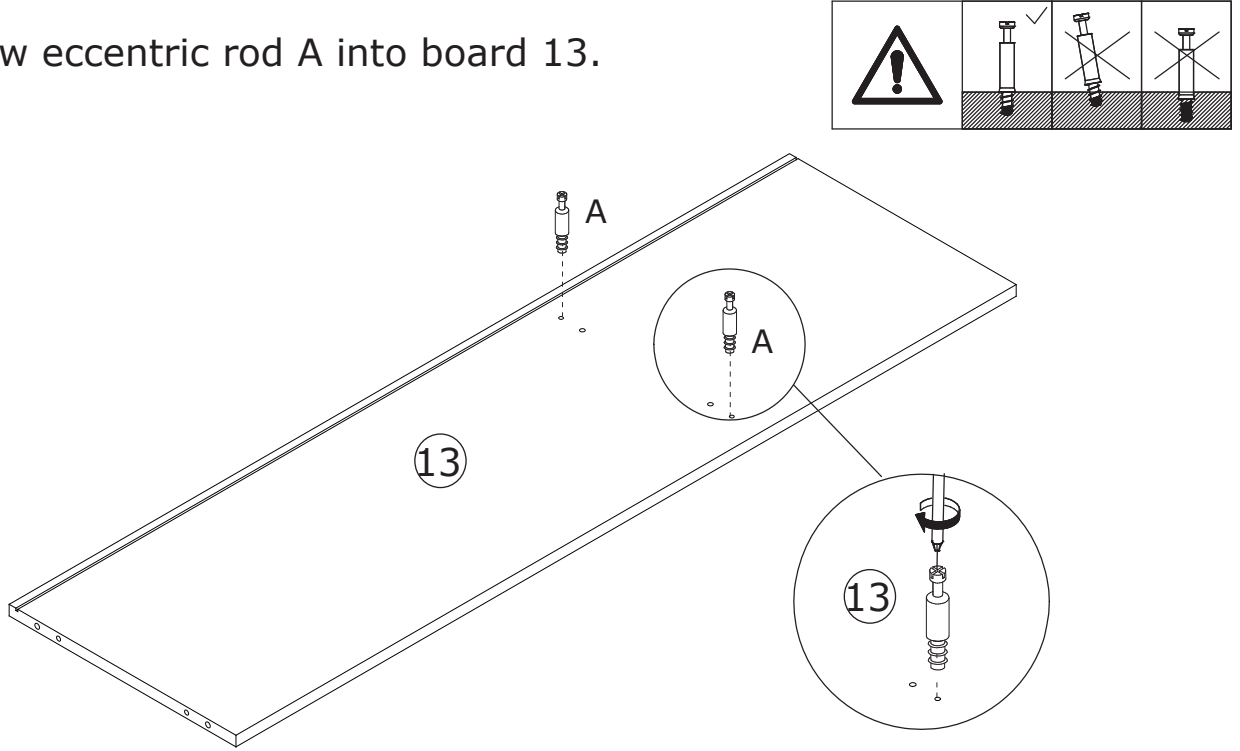
Screw eccentric rod A into board 12.  
Flip the board, screw eccentric  
rod A into as shown.



# 14



Screw eccentric rod A into board 13.



# 15

C x 6

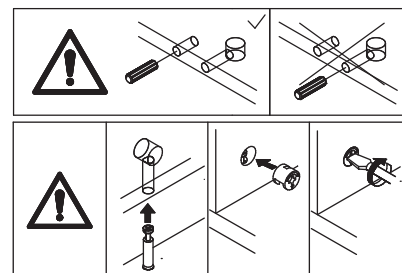
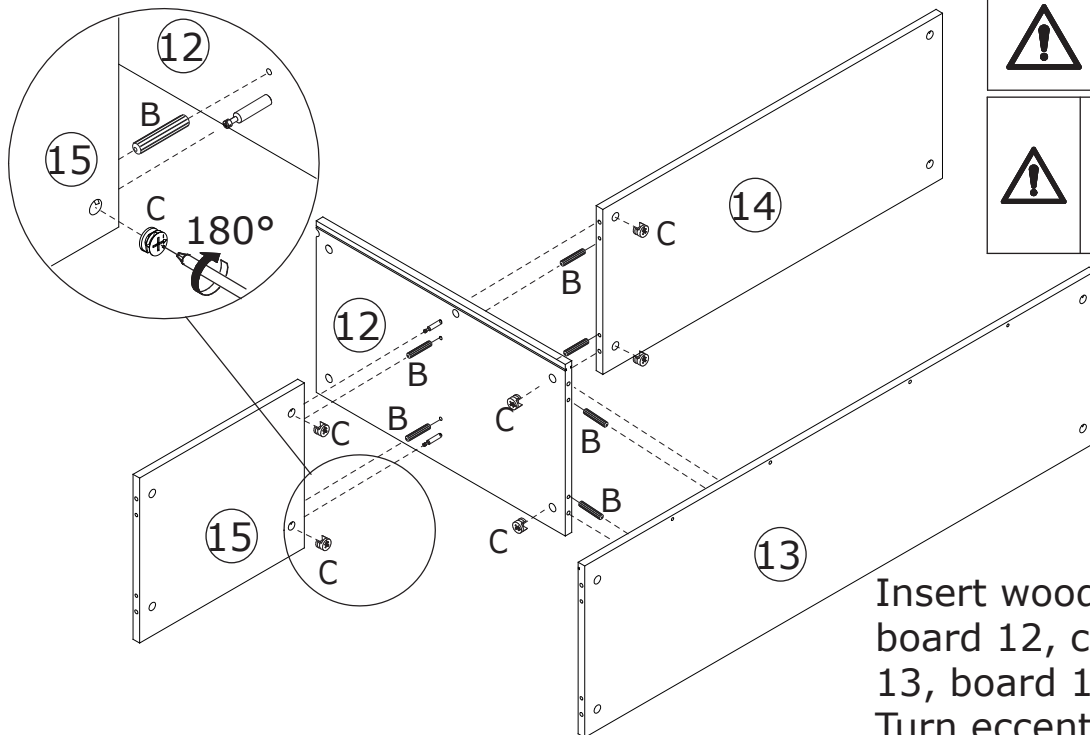


Ø 15 x 9 mm

B x 6



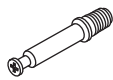
Ø 8 x 30 mm



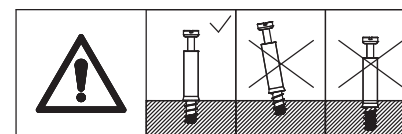
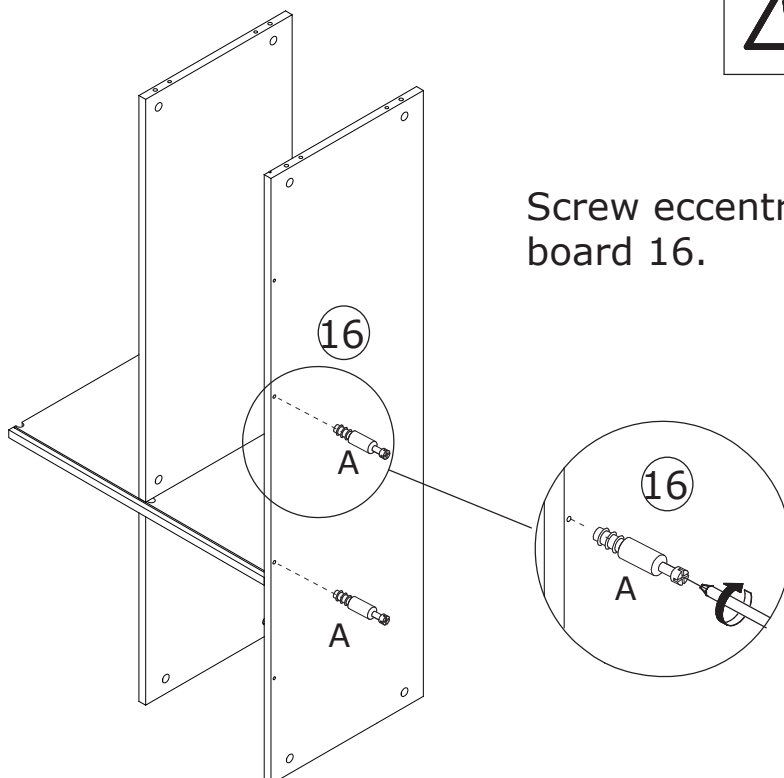
Insert wooden dowel B into board 12, connecting board 13, board 14, and board 15. Turn eccentric wheel C clockwise to lock.

# 16

A x 2



Ø 6 x 35 mm

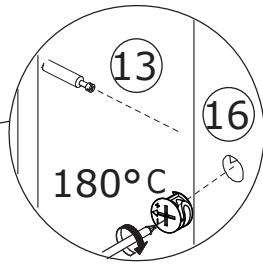
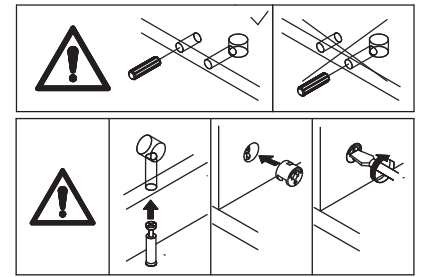
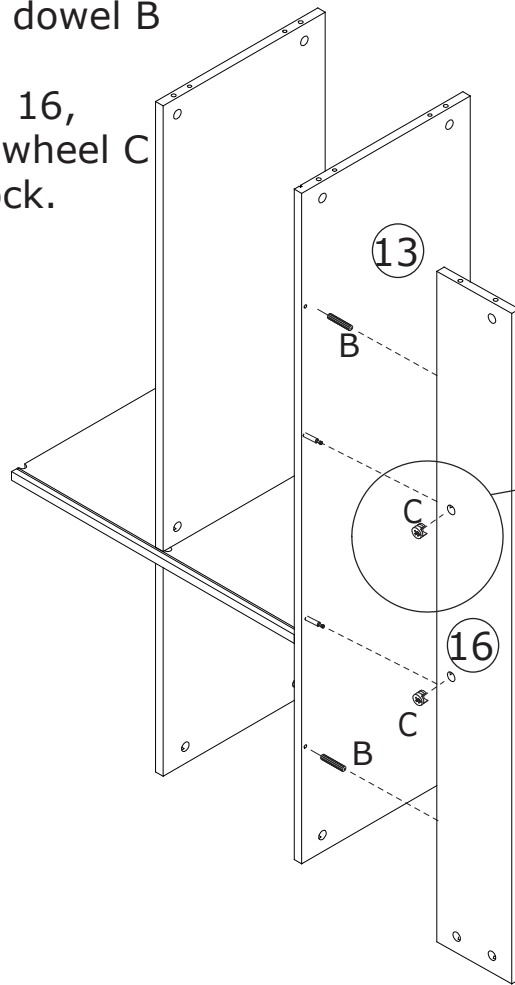


Screw eccentric rod A into board 16.

# 17

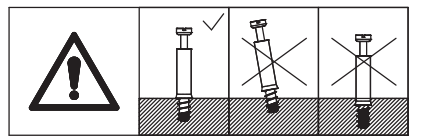
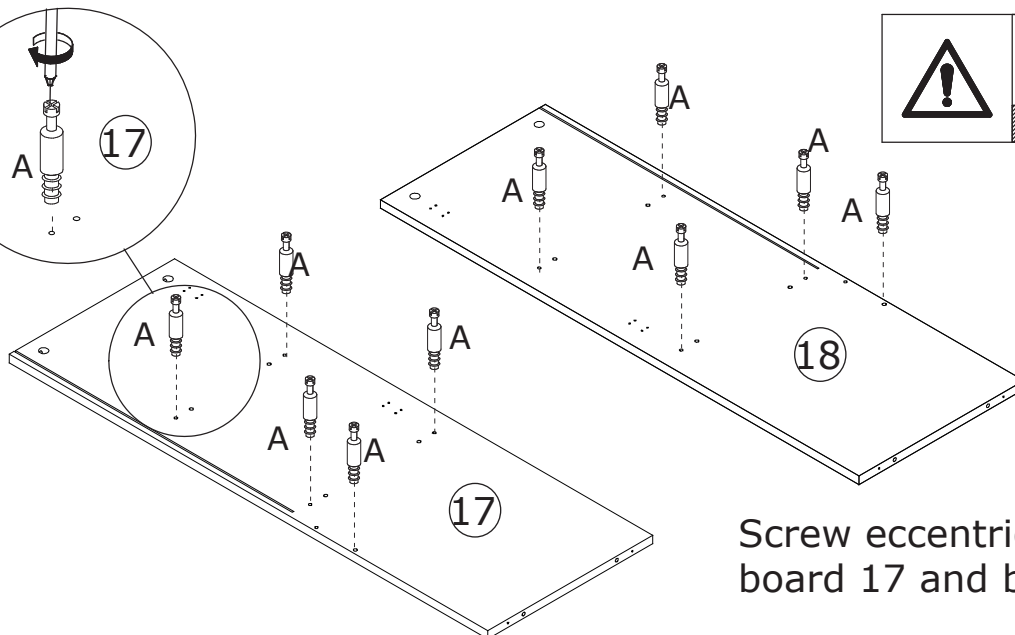
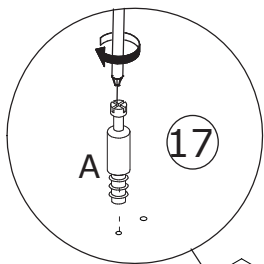
<b>C x 2</b>  Ø 15 x 9 mm	<b>B x 2</b>  Ø 8 x 30 mm	
--	--	---

Insert wooden dowel B into board 13.  
Connect board 16, turn eccentric wheel C clockwise to lock.



# 18

<b>A x 10</b>  Ø 6 x 35 mm	
---	---



Screw eccentric rod A into board 17 and board 18.

# 19

C x 5

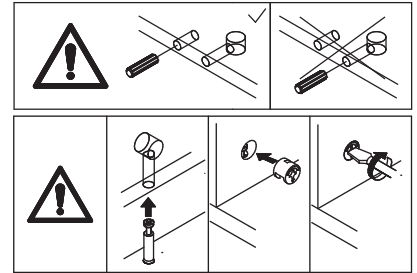
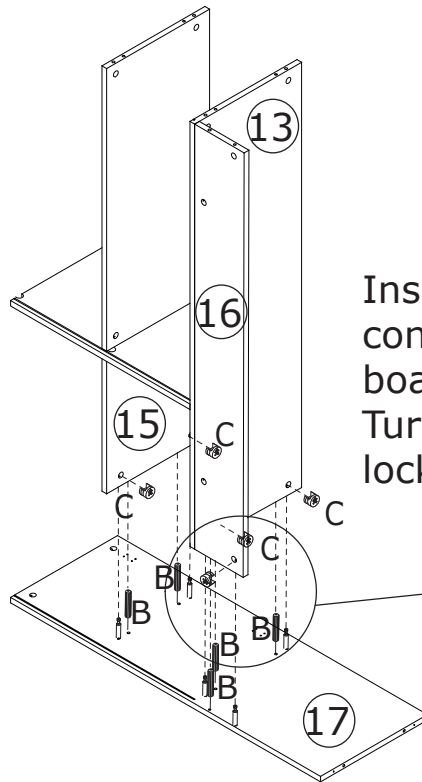
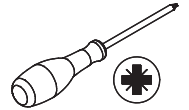


Ø 15 x 9 mm

B x 5

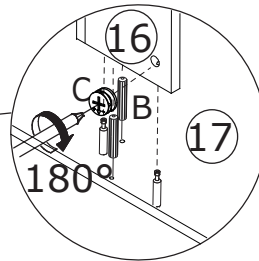


Ø 8 x 30 mm



Insert wooden dowel B into board 17, connecting board 13, board 15 and board 16.

Turn eccentric wheel C clockwise to lock.



# 20

C x 5

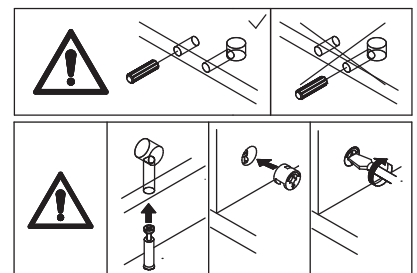
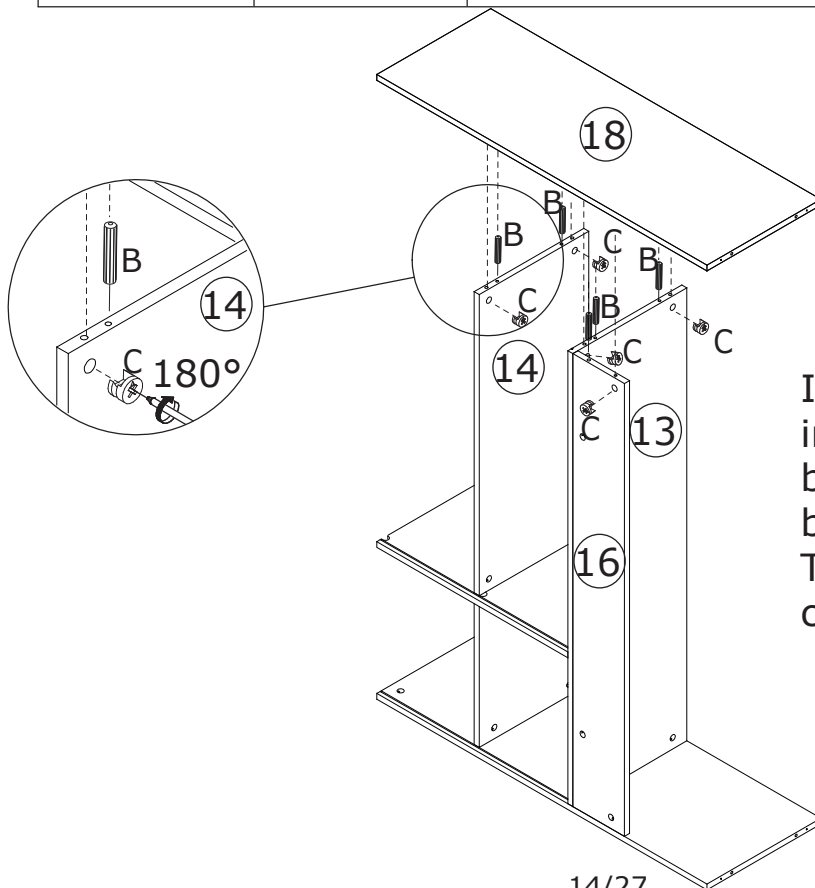
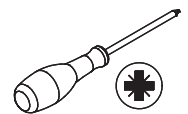


Ø 15 x 9 mm

B x 5



Ø 8 x 30 mm



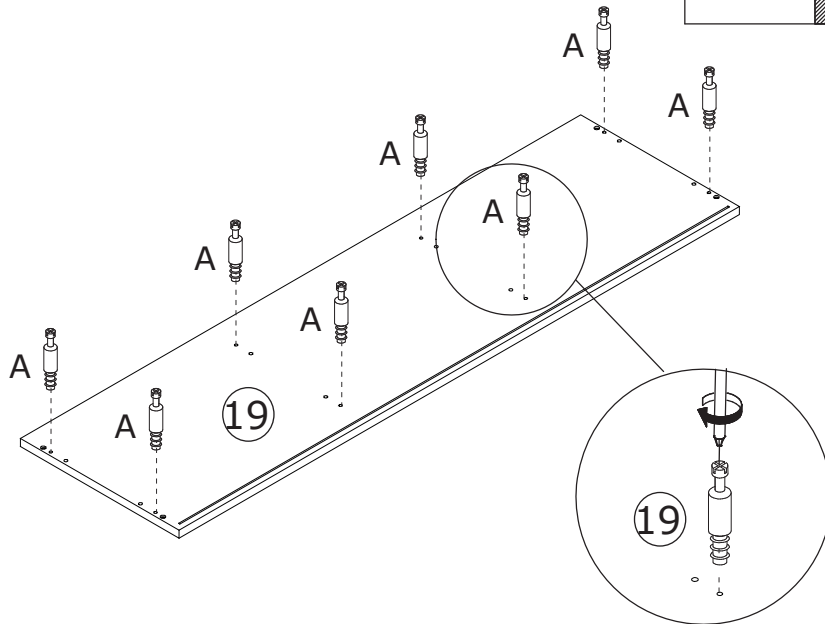
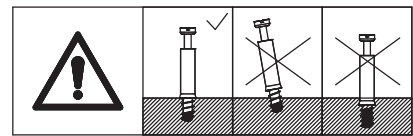
Insert wooden dowel B into board 18, connecting board 13, board 14 and board 16.

Turn eccentric wheel C clockwise to lock.

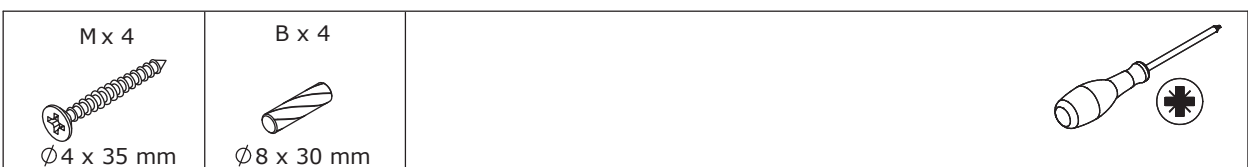
21



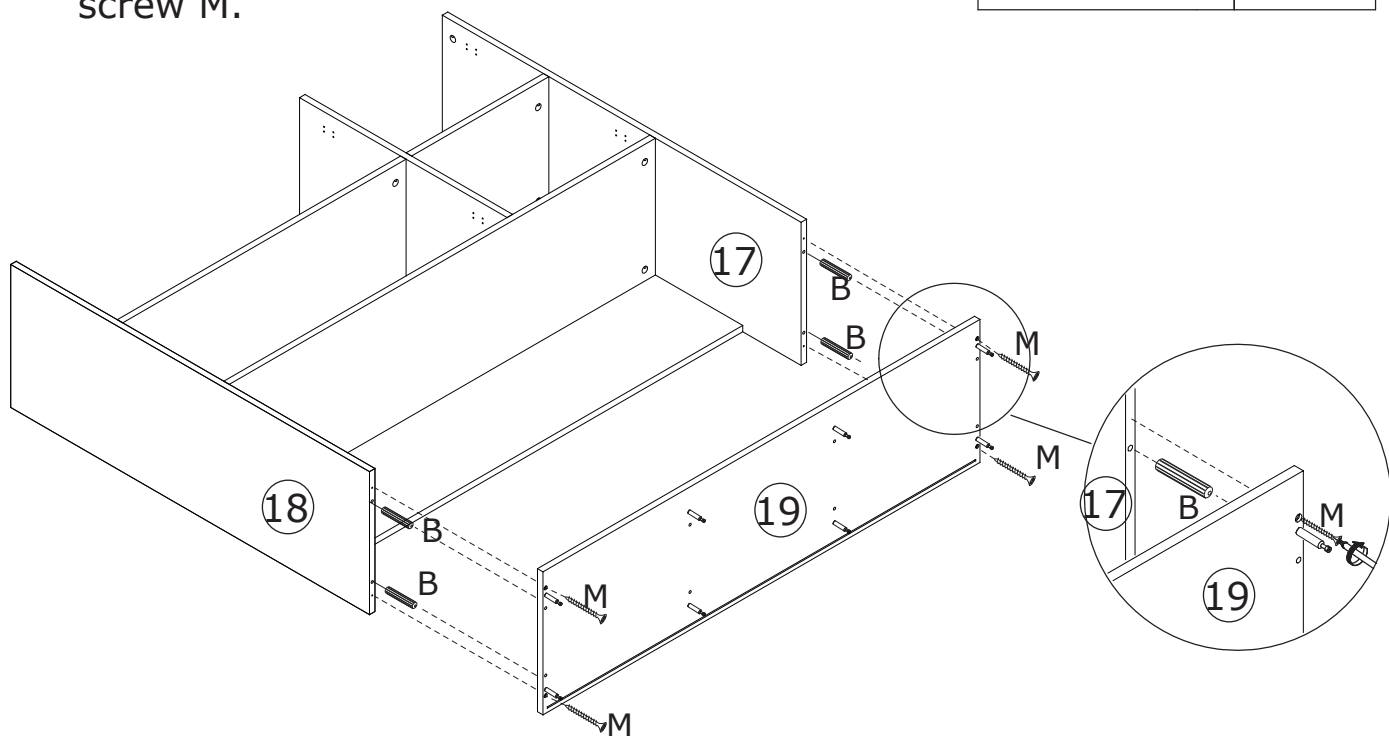
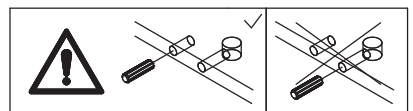
Screw eccentric rod A into board 19.



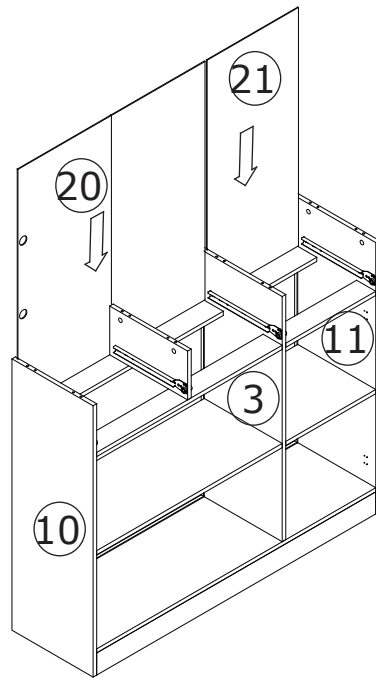
22



Insert wooden dowel B into board 17 and board 18, connecting board 19 and fix with screw M.

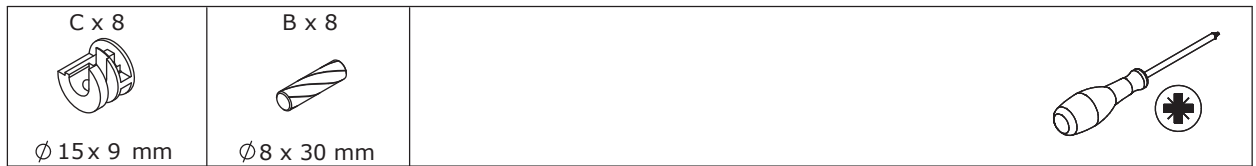


23

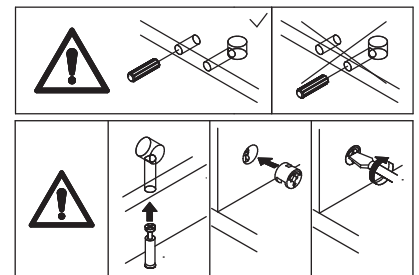
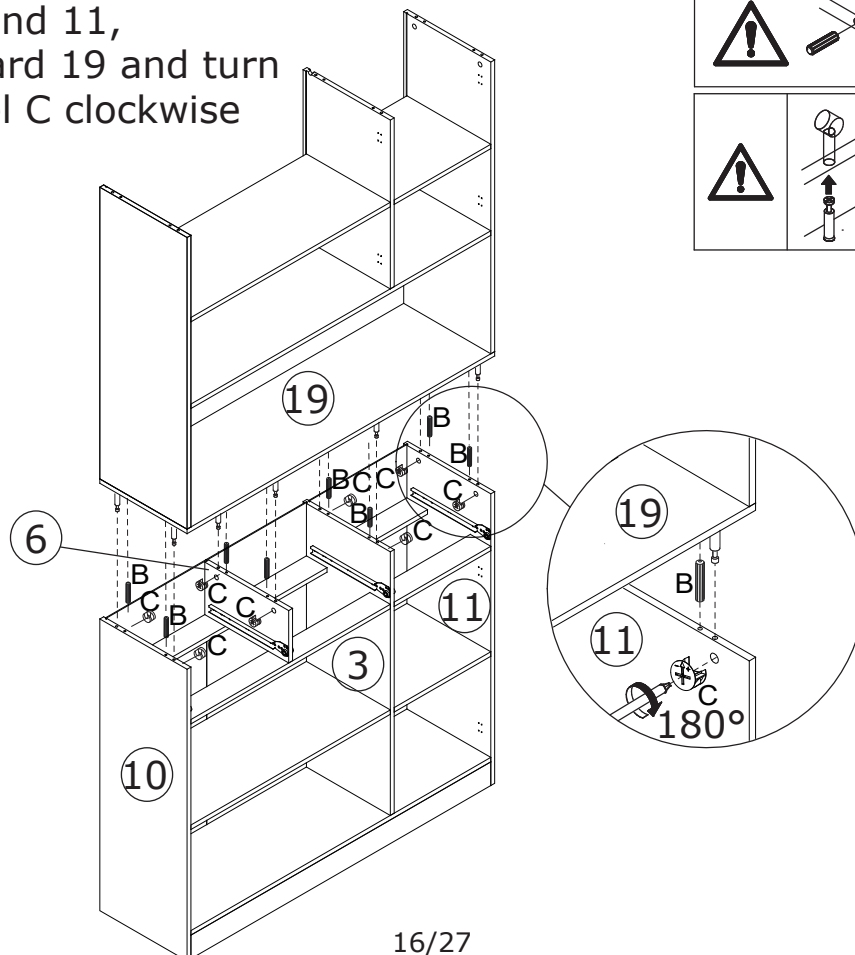


Insert backboard 20 and 21 along available grooves.

24

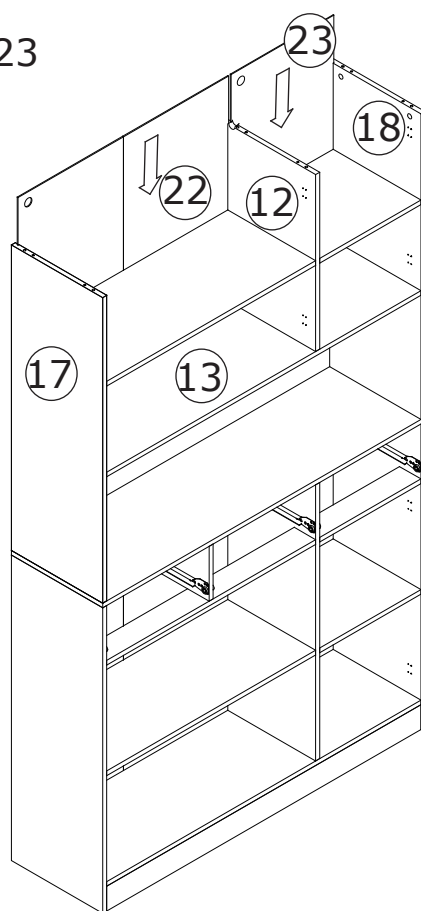


Insert wooden dowel B into board 10, 3, 6 and 11, connecting board 19 and turn eccentric wheel C clockwise to lock.



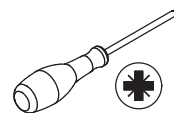
# 25

Insert backboard 22 and 23 along available grooves.

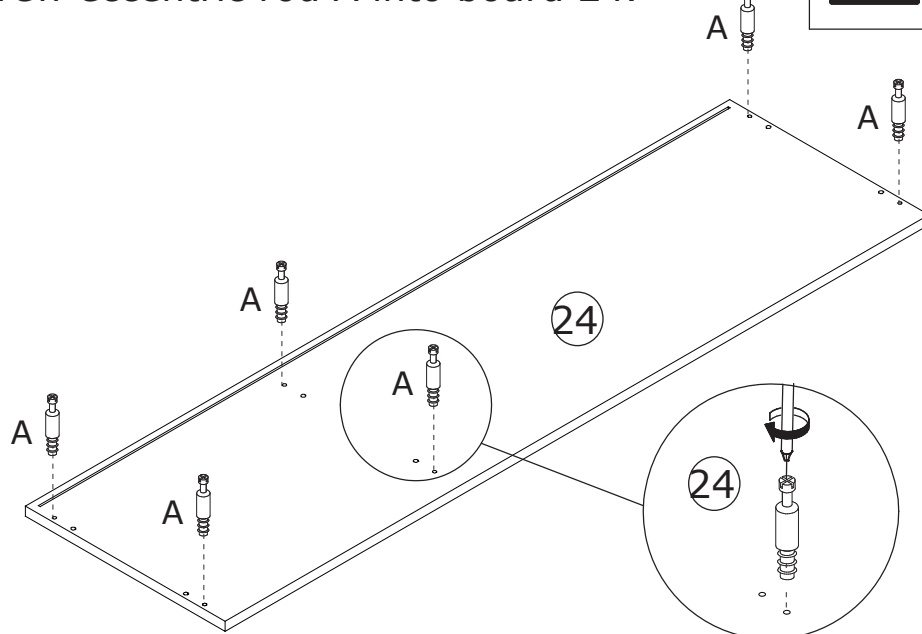
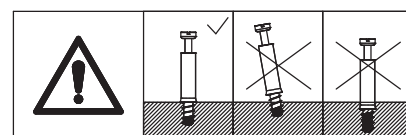


# 26

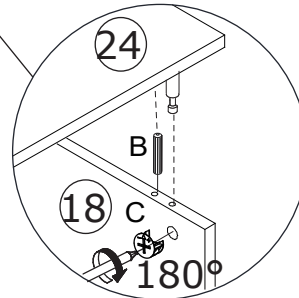
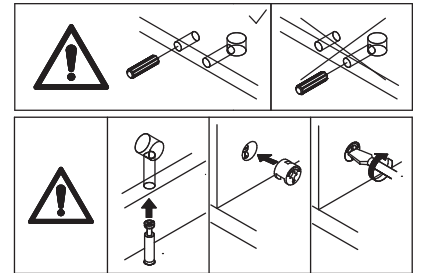
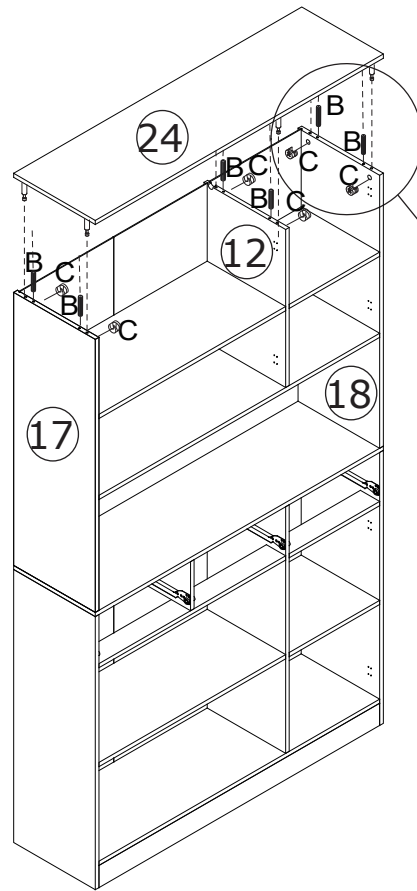
A x 6  
Ø 6 x 35 mm



Screw eccentric rod A into board 24.

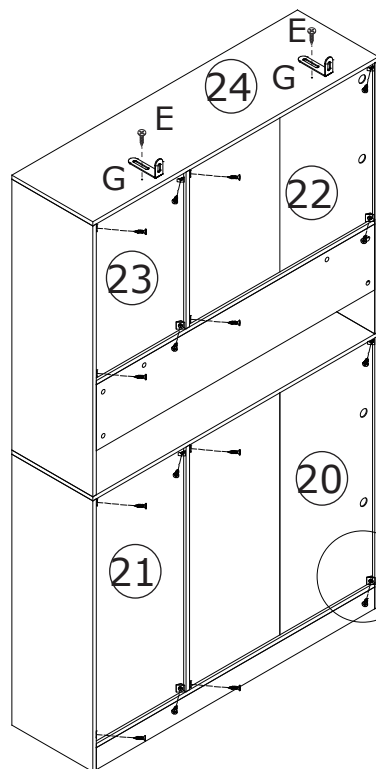
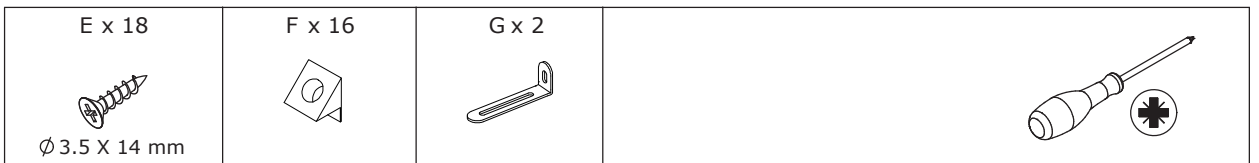


# 27

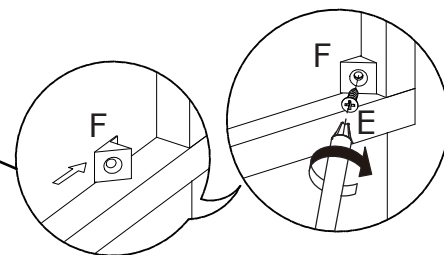


Insert wooden dowel B into board 17, 12 and 18, connecting board 24 and turn eccentric wheel C clockwise to lock.

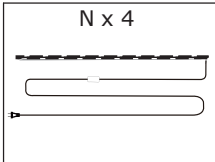
# 28



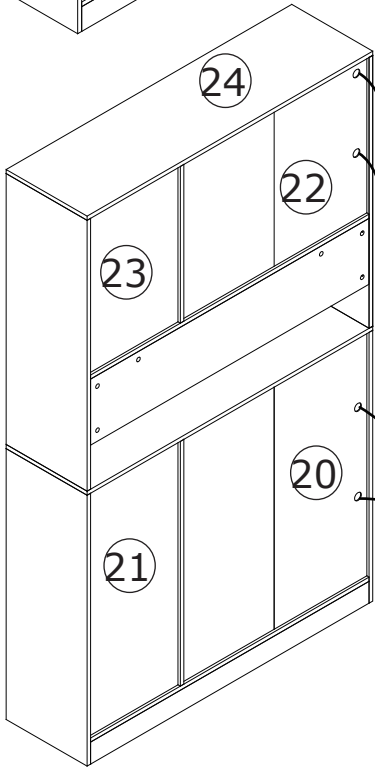
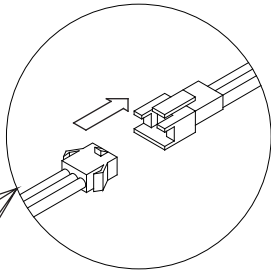
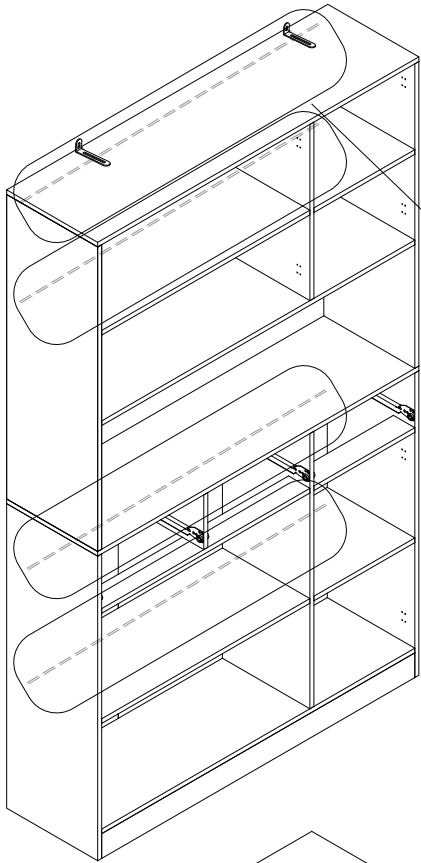
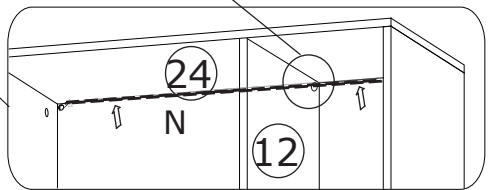
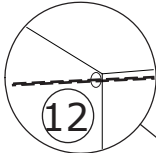
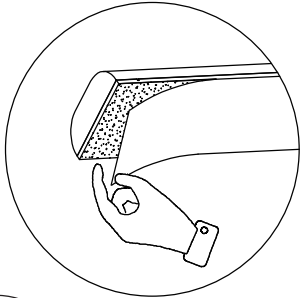
Insert backboard fastener F and fix with screw E. Then fix anti-tip device G onto board 13 with screw E.



29

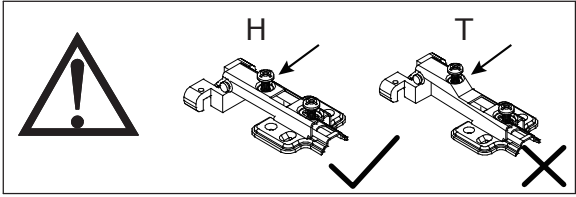
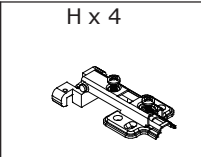
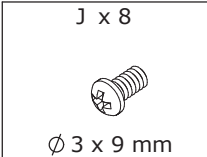


Tear off the back glue of the light strip!



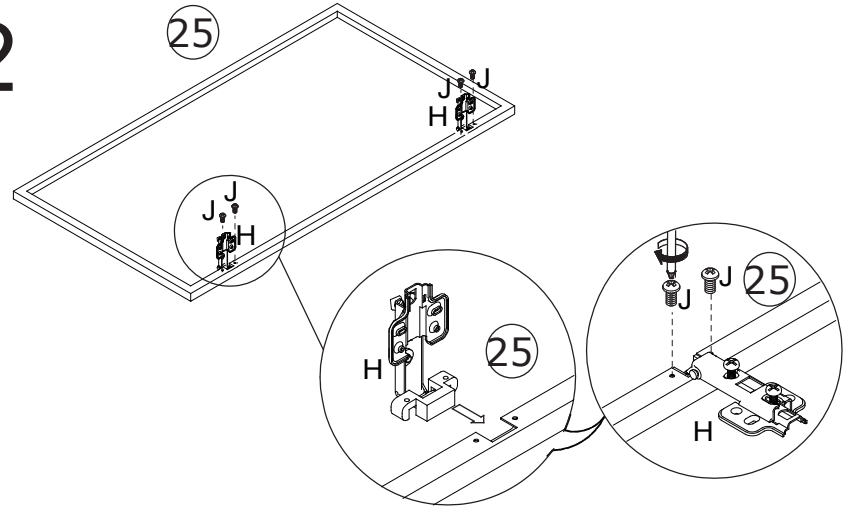
Assemble light strip N.

30

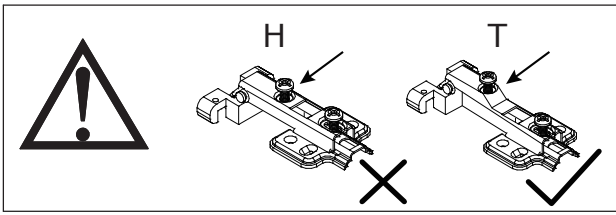
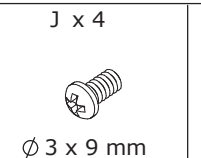
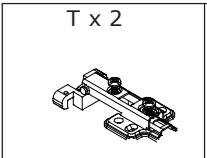


Fix hinge H onto two pieces door 25 with screw J.

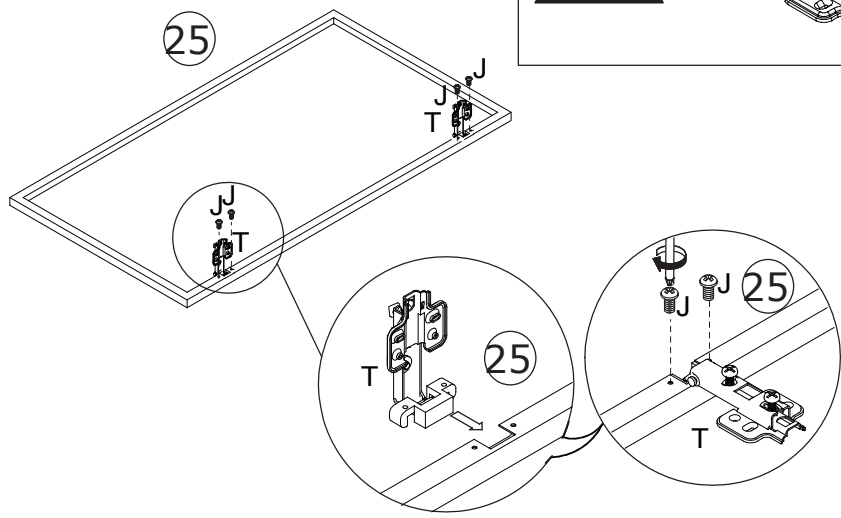
X 2



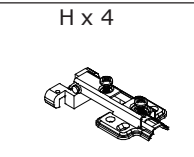
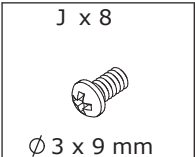
31



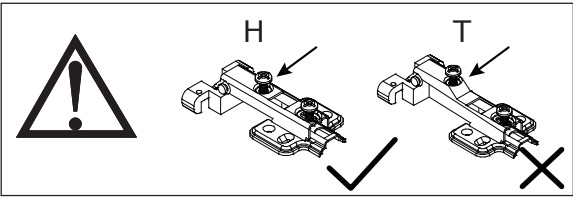
Fix hinge T onto 1 piece board 25 with screw J.



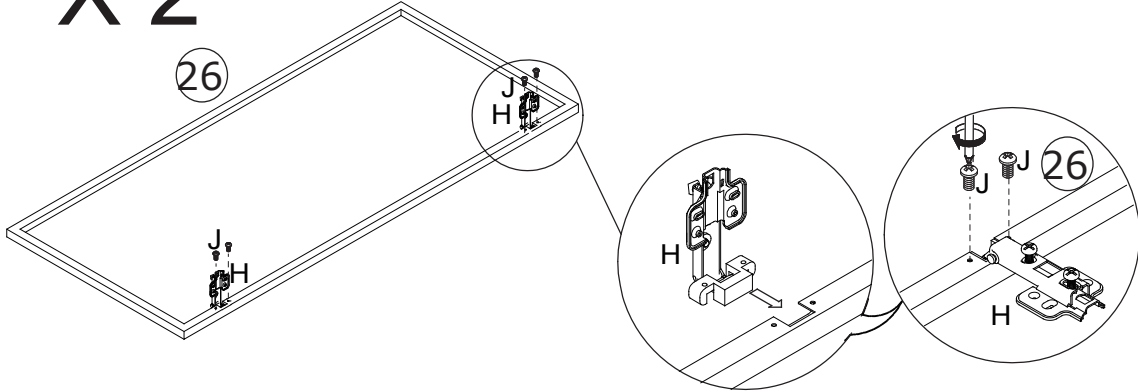
32



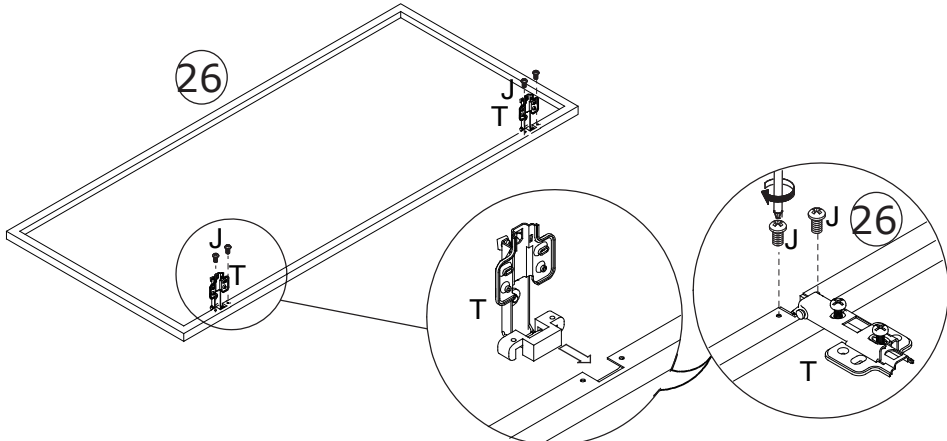
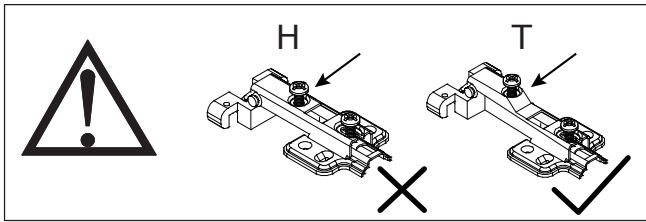
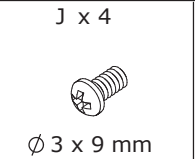
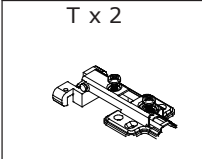
Fix hinge H onto two pieces door 26 with screw J.



X 2



33



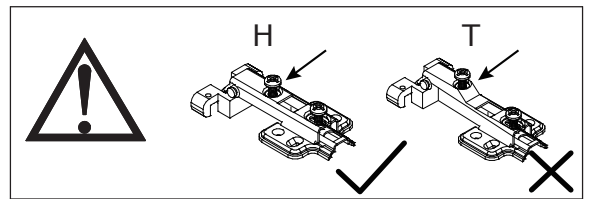
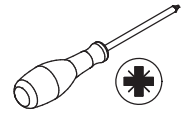
Fix hinge T onto 1 piece board 26 with screw J.

# 34

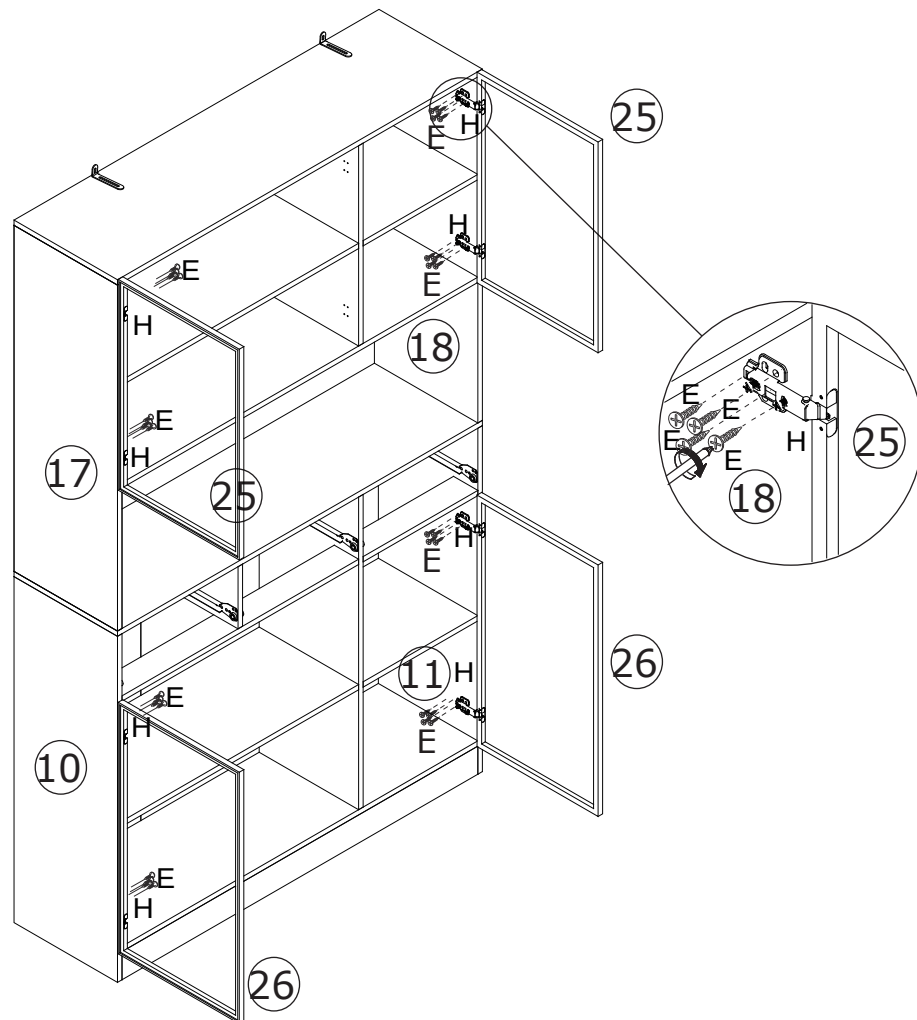
E x 32



Ø 3.5 X 14 mm



Use screw E to connect door 25 to board 17 and 18 via hinge H.  
Use screw E to connect door 26 to board 10 and 11 via hinge H.

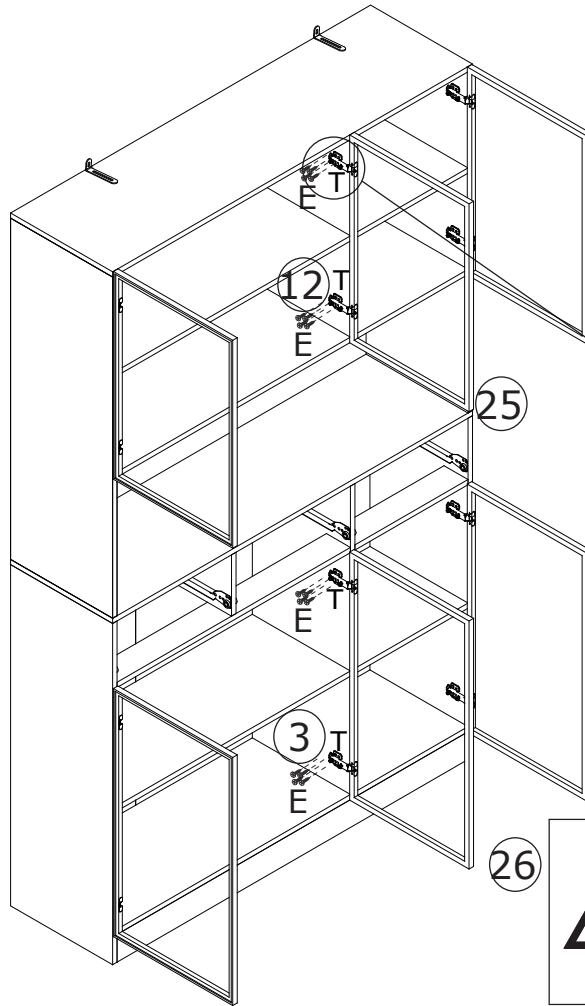
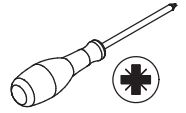


# 35

E x 16

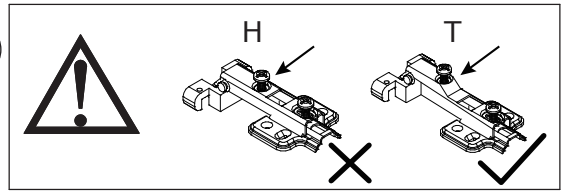
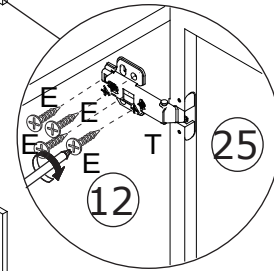


Ø 3.5 X 14 mm



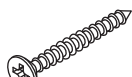
Use screw E to connect door 25 to board 12 via hinge T.

Use screw E to connect door 26 to board 3 via hinge T.



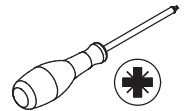
# 36

M x 2

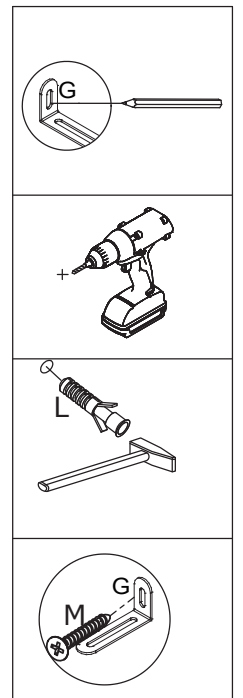
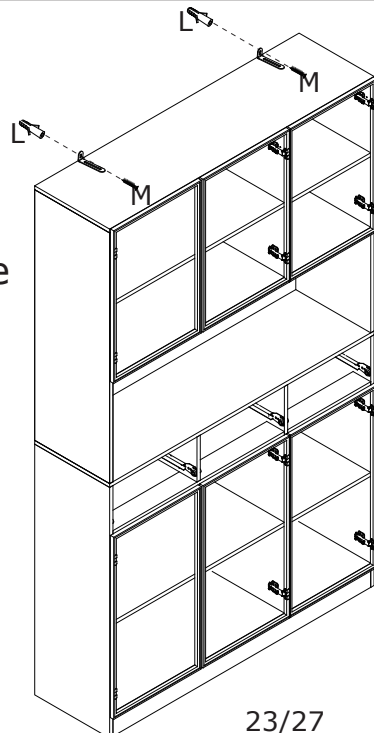


Ø 4 x 35 mm

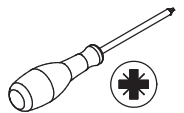
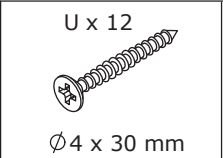
L x 2



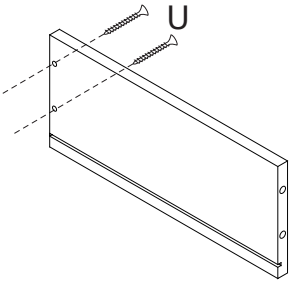
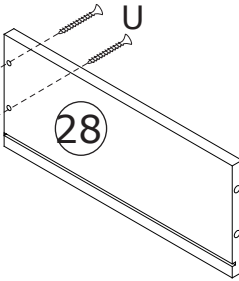
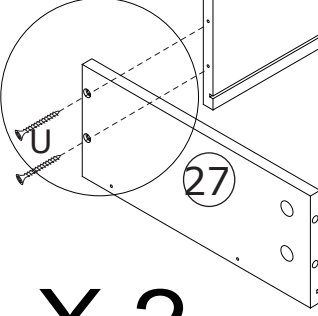
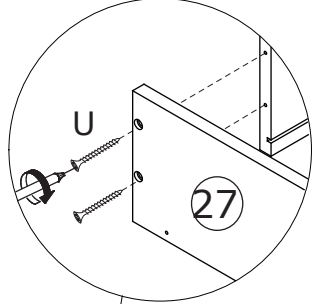
Mark the wall, drill a hole with an electric drill, insert plastic part L, and fix it onto the wall with screw M through anti-tip device G.



37



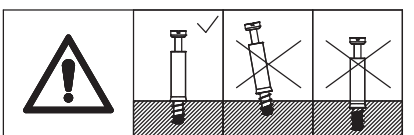
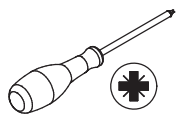
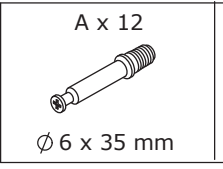
Fix board 27 and board 28 to board 29 with screw U.  
Fix board 27 and board 28 to board 35 with screw U.



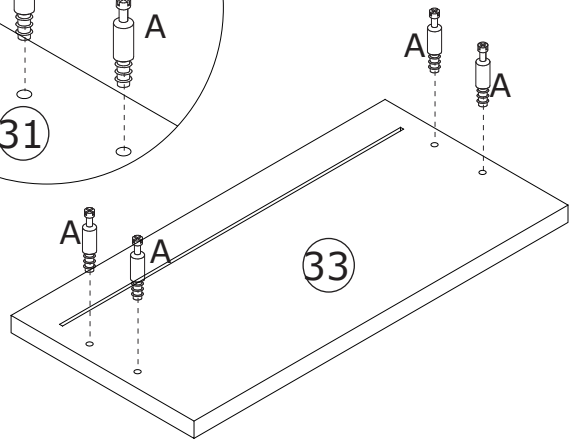
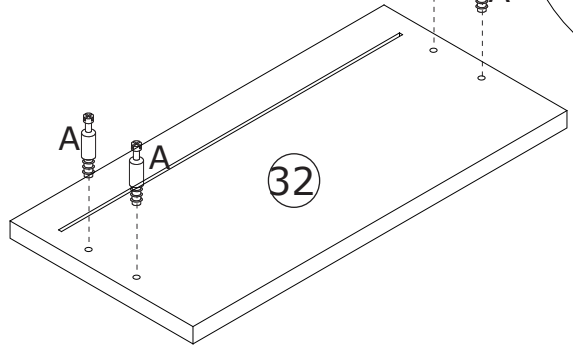
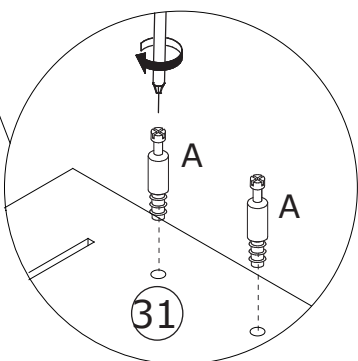
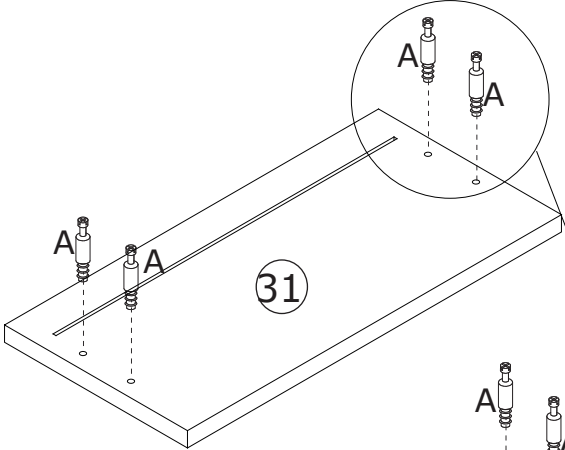
X 2

X 1

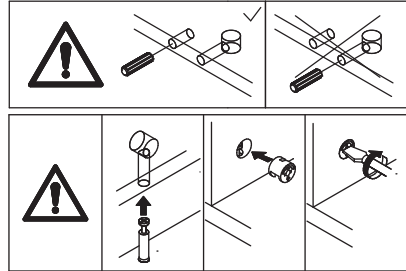
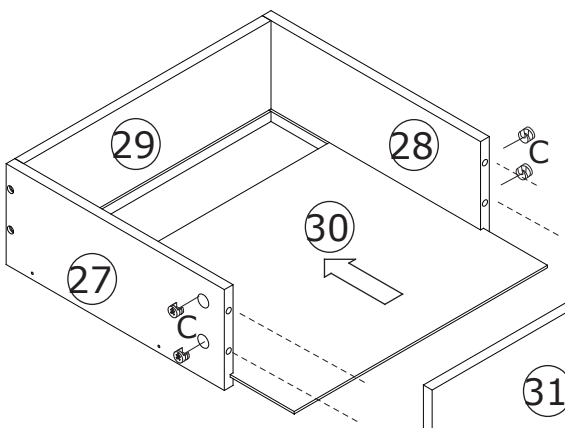
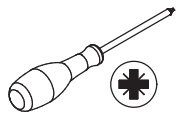
38



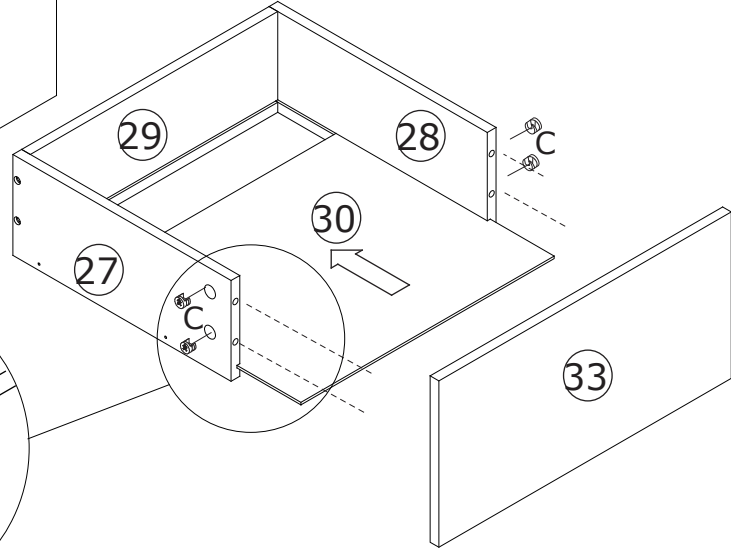
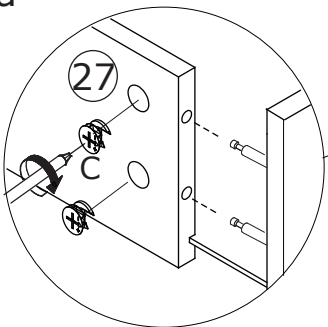
Screw eccentric rod A into board 31, board 32 and board 33.



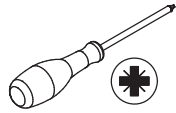
# 39



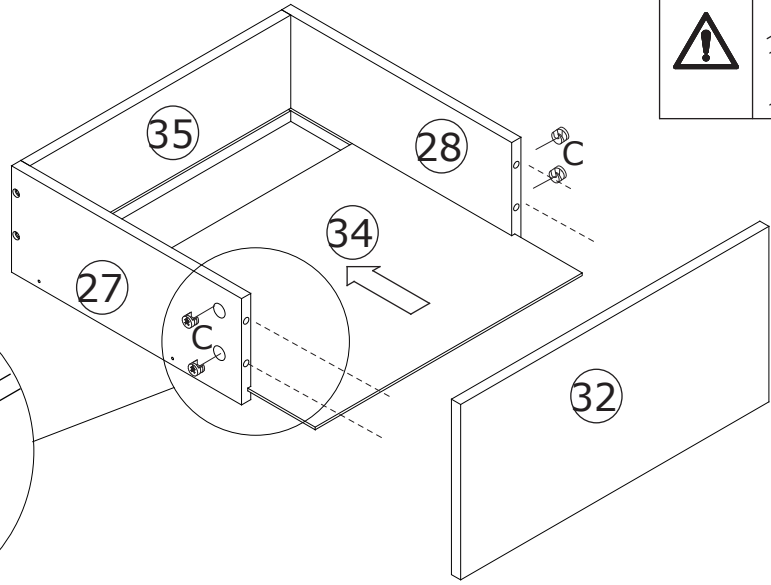
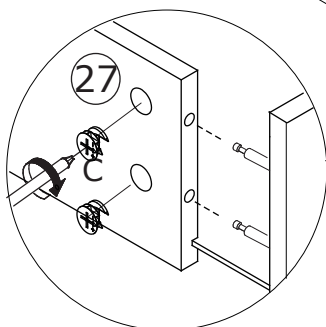
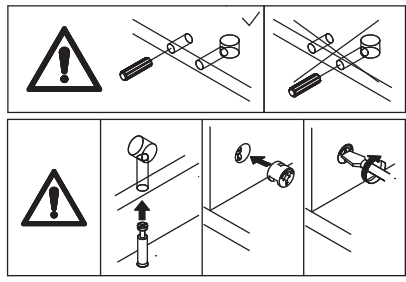
Insert board 30 along available grooves. Attach board 31 and board 33 to the components respectively, turn eccentric wheel C clockwise to lock.



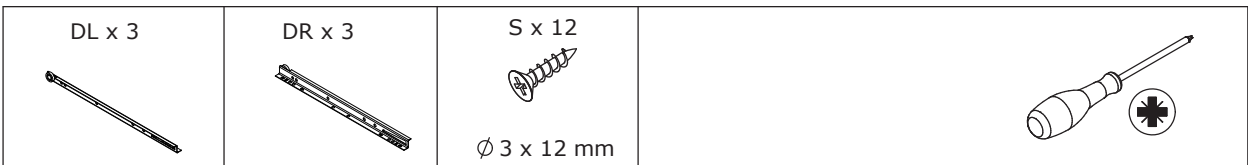
# 40



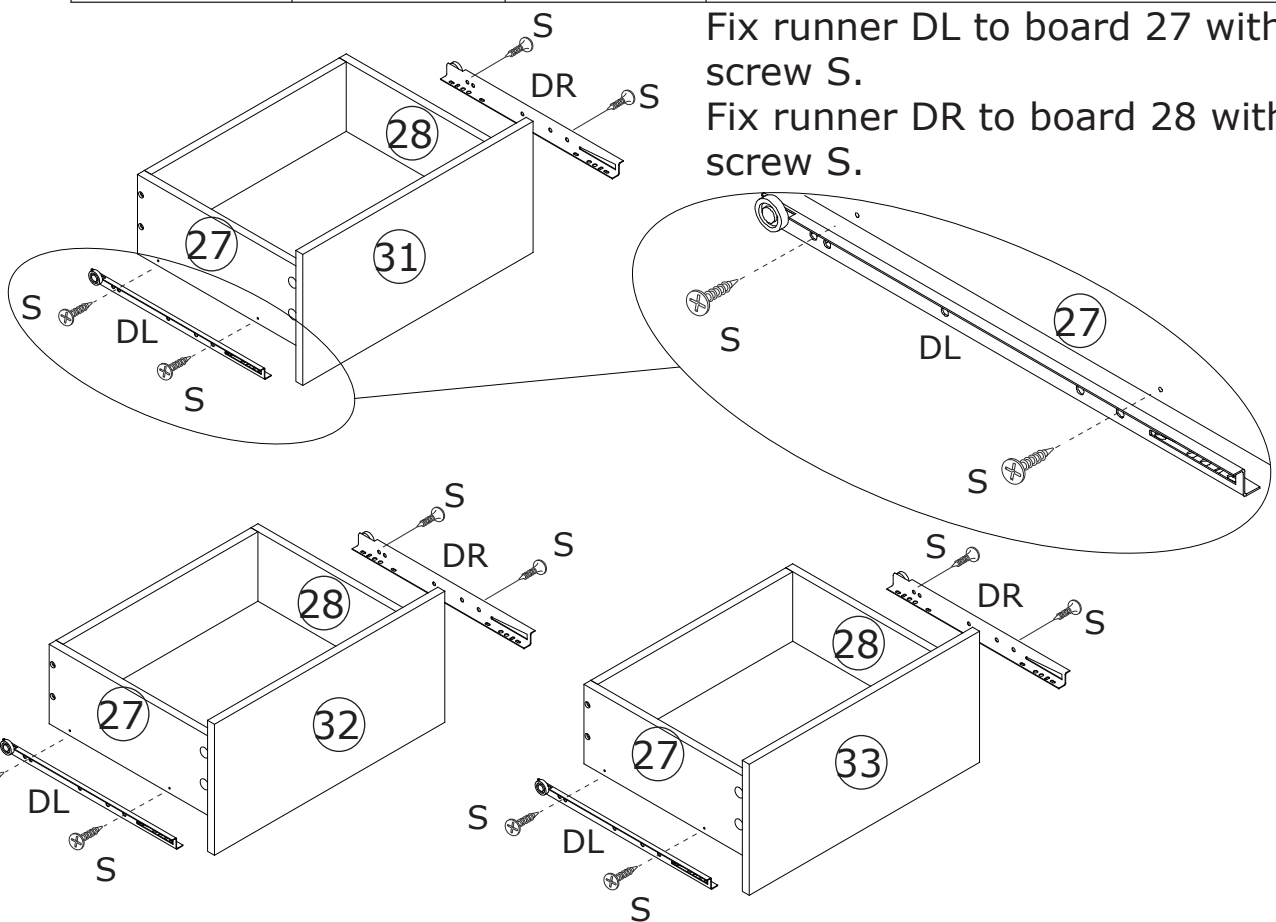
Insert board 34 along available grooves. Attach board 32 to the component, turn eccentric wheel C clockwise to lock.



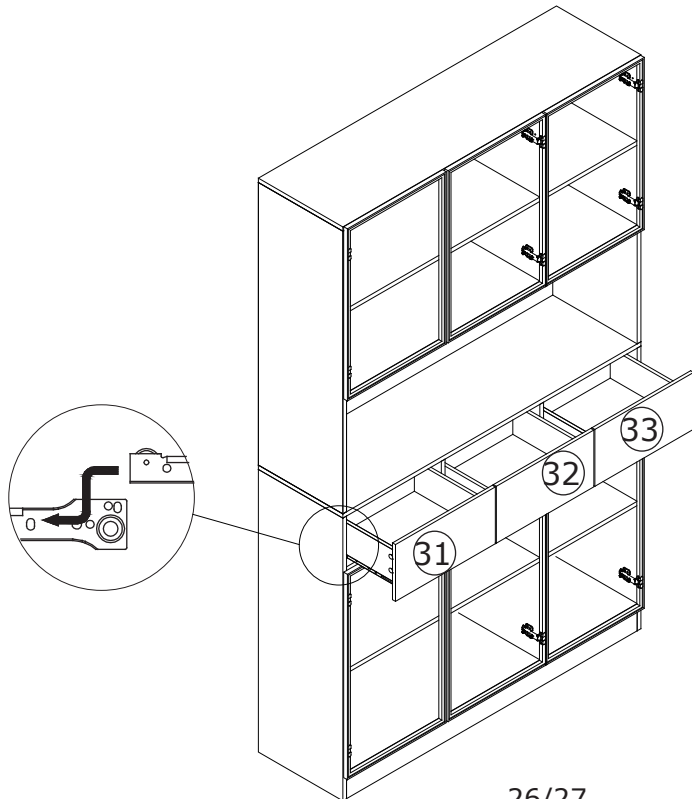
41



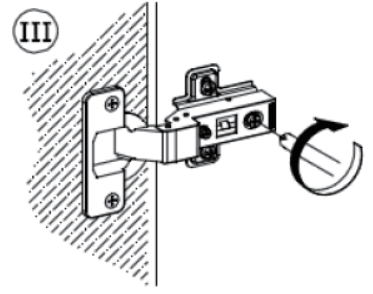
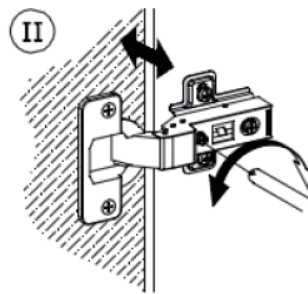
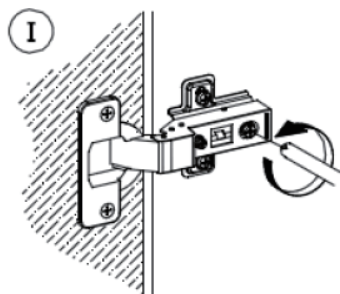
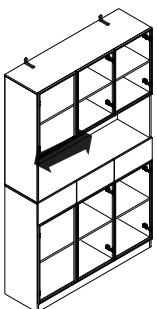
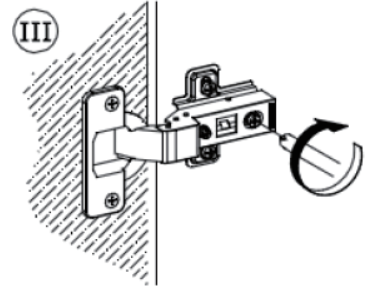
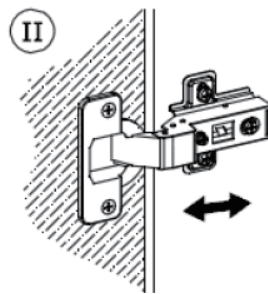
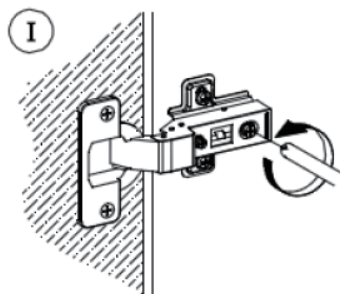
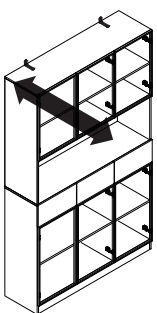
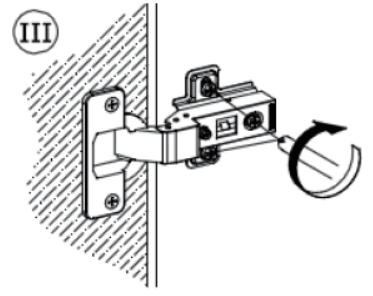
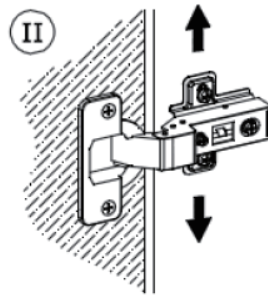
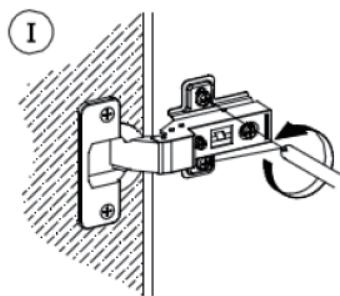
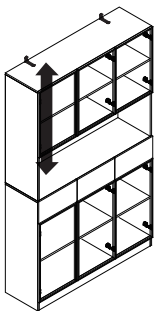
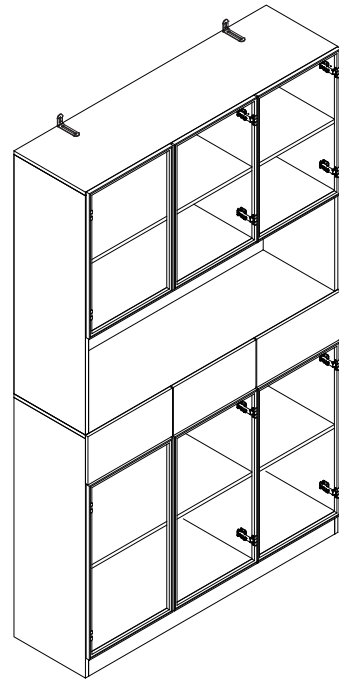
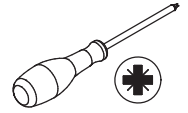
Fix runner DL to board 27 with screw S.  
Fix runner DR to board 28 with screw S.



42



Insert all drawers.



# WARRANTY

## WARRANTY CLAIMS

- There is a 30-day warranty for broken furniture or any other problems that do not work properly. The warranty will start from the date of purchase which must be verified by proof of purchase.
- Before making a claim, we may be able to answer your query, simply call us. Please leave your purchase order number, along with some details of the problem, if you want a replacement part. We will arrange within 48 hours. If there is out of stock, we will reply with a shipping date.
- The product must be used in accordance with the instructions provided. For health reasons.
- For other reasons, if the furniture needs to be returned, it must be cleaned and dried and operated within 30 days of receipt.

## Type of Warranty Claim

- Failure to follow the furniture instructions will invalidate the warranty. Attention please.
- Does not include damage during installation, but includes damage during transportation.

## Scope of responsibility

- Shall not bear any responsibility for misuse or user damage and / or loss of parts during the installation of furniture.
- After using, the damage and scratches of the furniture are not covered by the warranty.

## The Warranty Relates to All Bought in The Us and Covers The Following Areas

- Sheet parts: 1 month from the date of purchase.
- Electrical parts: 1 month from the date of purchase.