

Instruction Manual

Please save the manual for future reference.

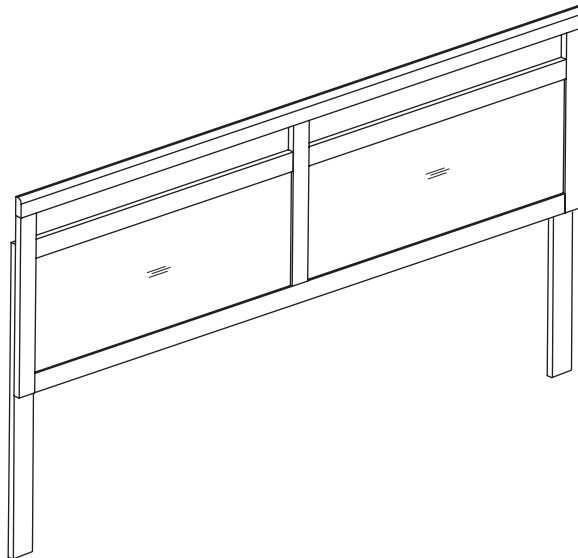
Product Name:	Farmhouse Double Panel Wood Headboard, Queen/Full
----------------------	---

Thank you for purchasing. This product has been manufactured with the highest standards of safety and quality.

PLEASE READ ALL INSTRUCTION CAREFULLY BEFORE ASSEMBLY:





Unpack all parts from the packaging inside the carton to ensure there are no missing or damaged parts. Place all wooden furniture part on a clean and fat soft surface to prevent scratches. Please all woden furniture parts on a clean, flat, soft surface to the prevent scratches. Refer to the step provided below for assembly.

Do not attempt to assemble or use the product if any parts are missing or damaged.



CARTON CONTENTS:

Hardware:

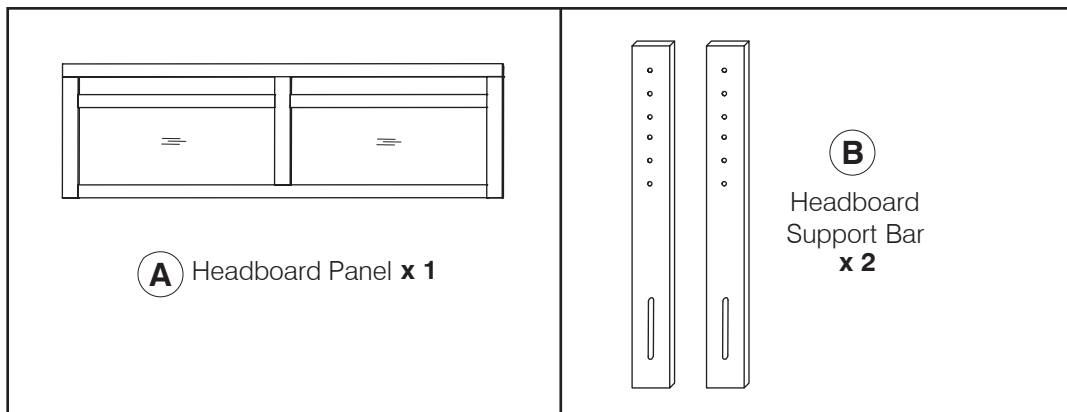
 1 M6 x 35mm JCB x 10	 2 Spring Washer x 10	 3 Flat Washer x 10	 4 Allen Key x 1
---	---	---	--

Instruction Manual

Please save the manual for future reference.

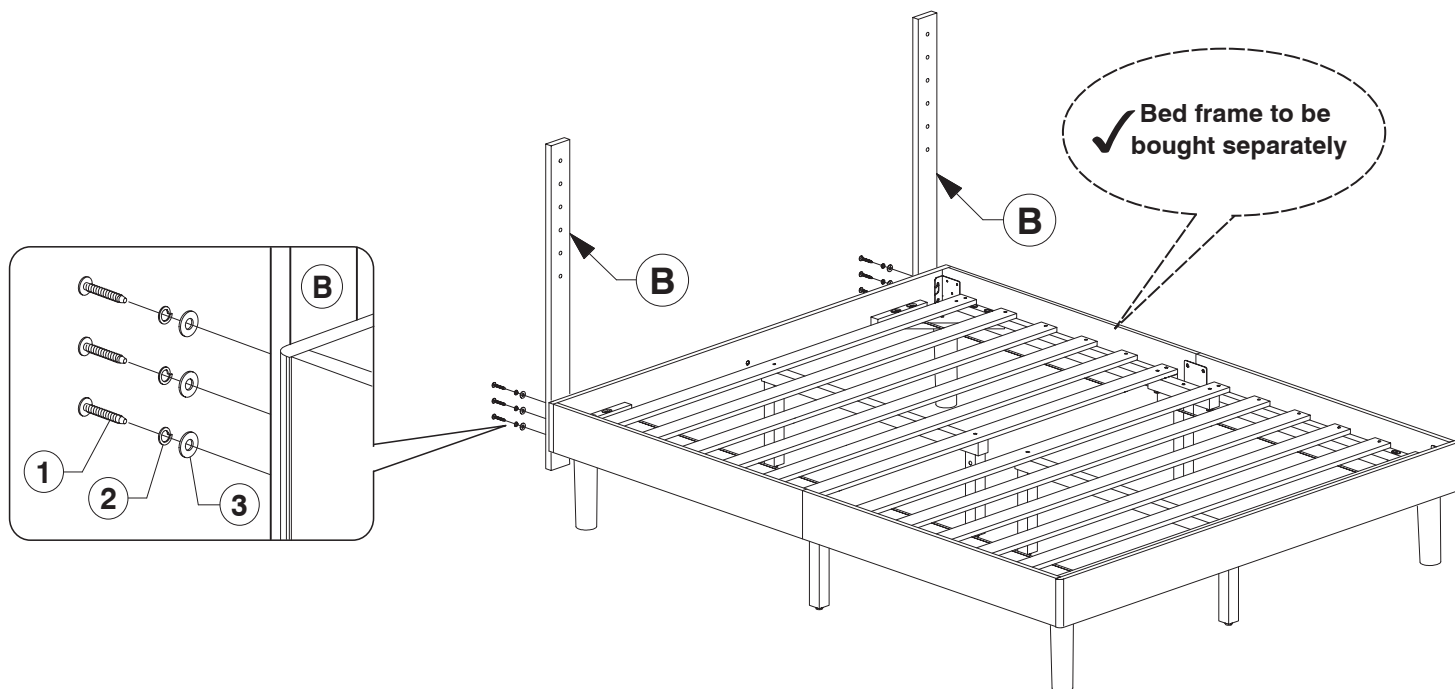
Product Name:	Farmhouse Double Panel Wood Headboard, Queen/Full
----------------------	---

Panels:



Assembly:

Step 1: Assemble the Support Bars (B) to the Headboard Panel.



Product Name:	Farmhouse Double Panel Wood Headboard, Queen/Full
----------------------	---

Step 2: Assemble the Headboard Panel (A) to the Support Bars (B).

