



MARO Club Chair
W 40 1/2" D 37 1/2" H 24 3/4"
SH 10 1/4" CH 4 1/2" OSH 14 3/4"
40 lbs
Teak & rope

MARO: CUSHION FABRICS



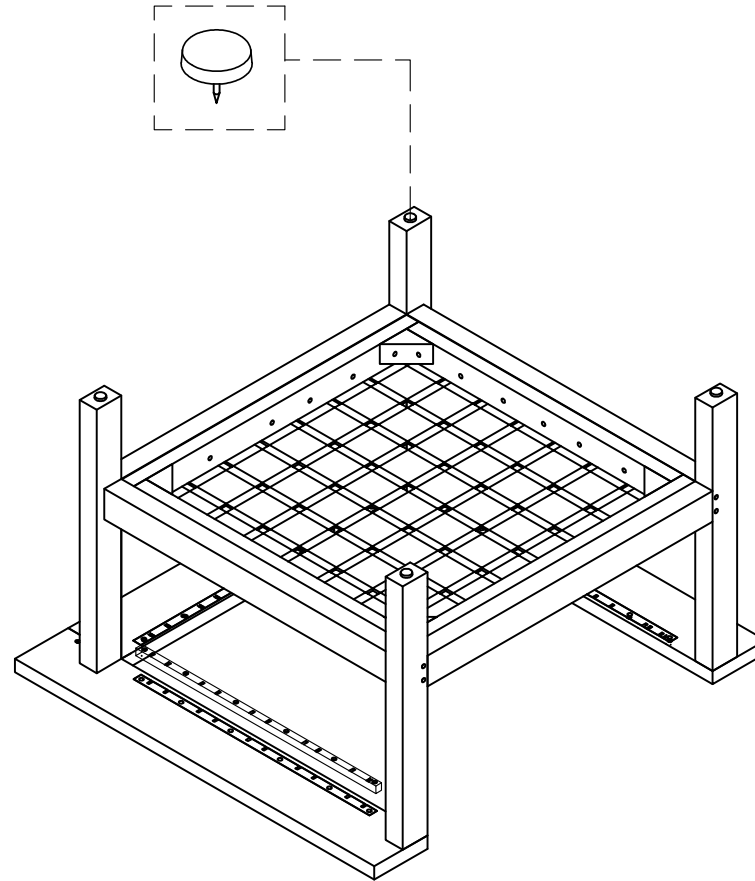
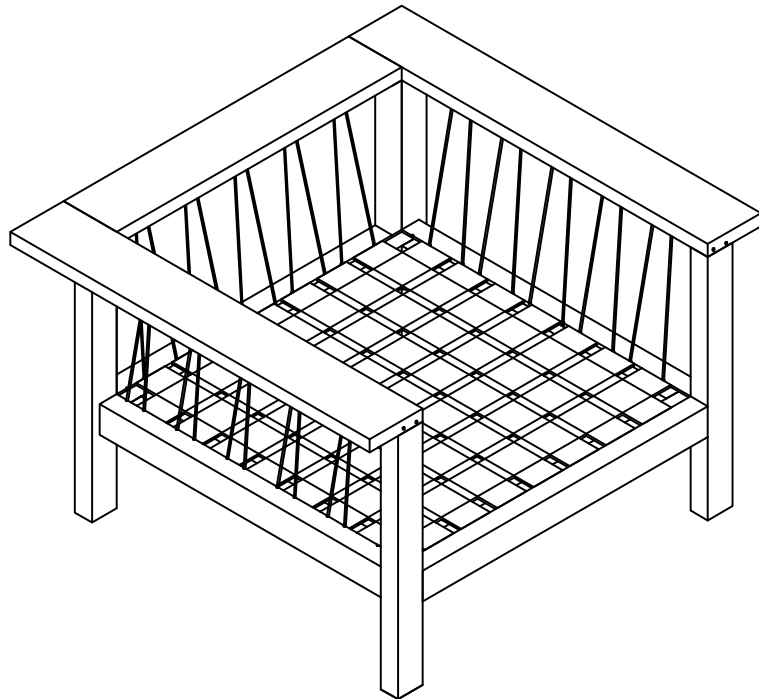
Canvas Natural



Charcoal Chine



Clay



ISO VIEW

OASIQ

DWG.NO: FAE0A10-1

TITLE : ISO VIEW

DIM EXT: 945x1030x636 MM

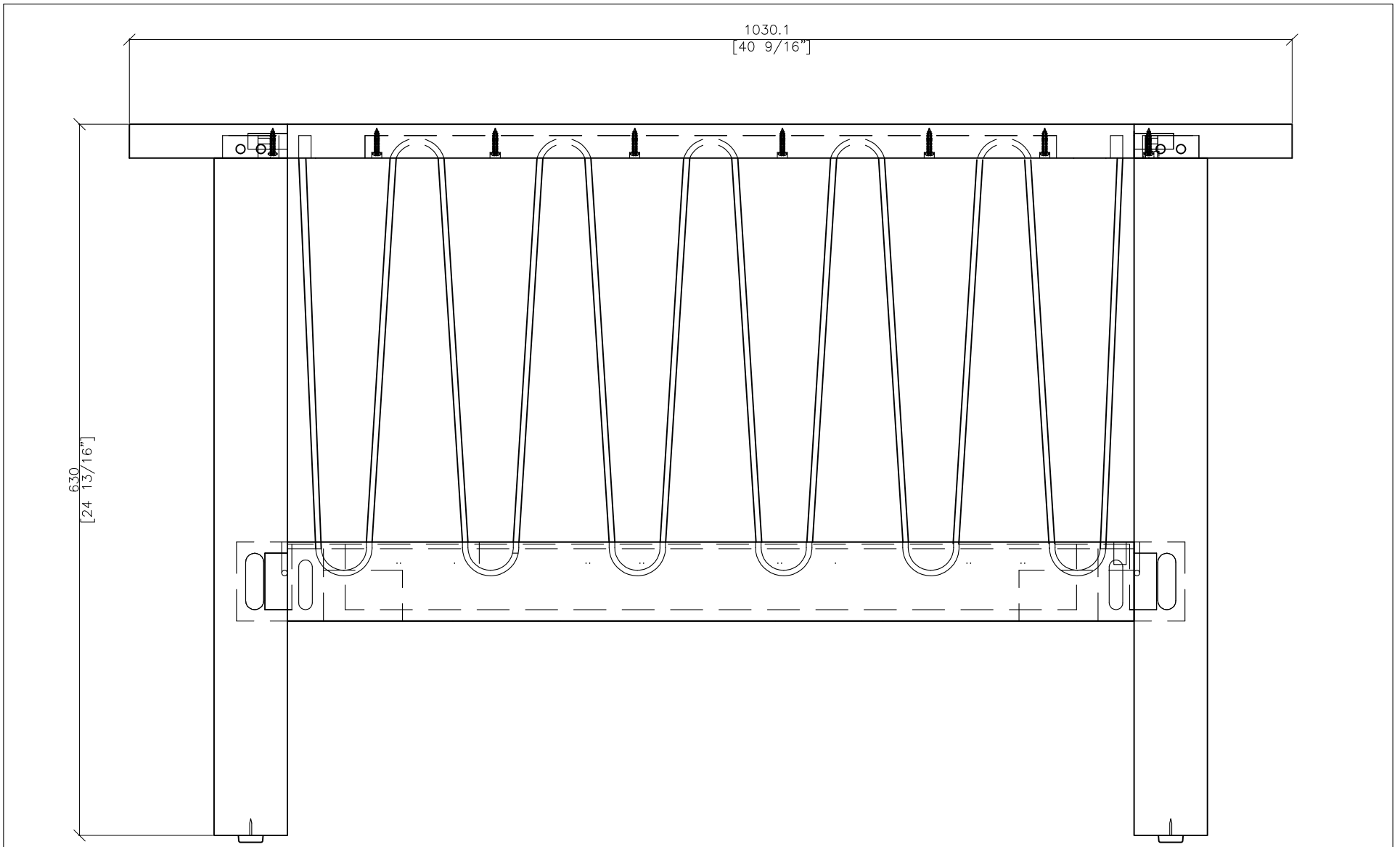
MATERIAL: TEAK

DRAWN BY :BOY

FINISH DATE : 22-12-14
 BEGIN DATE : 18-11-14

BOY SCALE : 1:1
 BOY

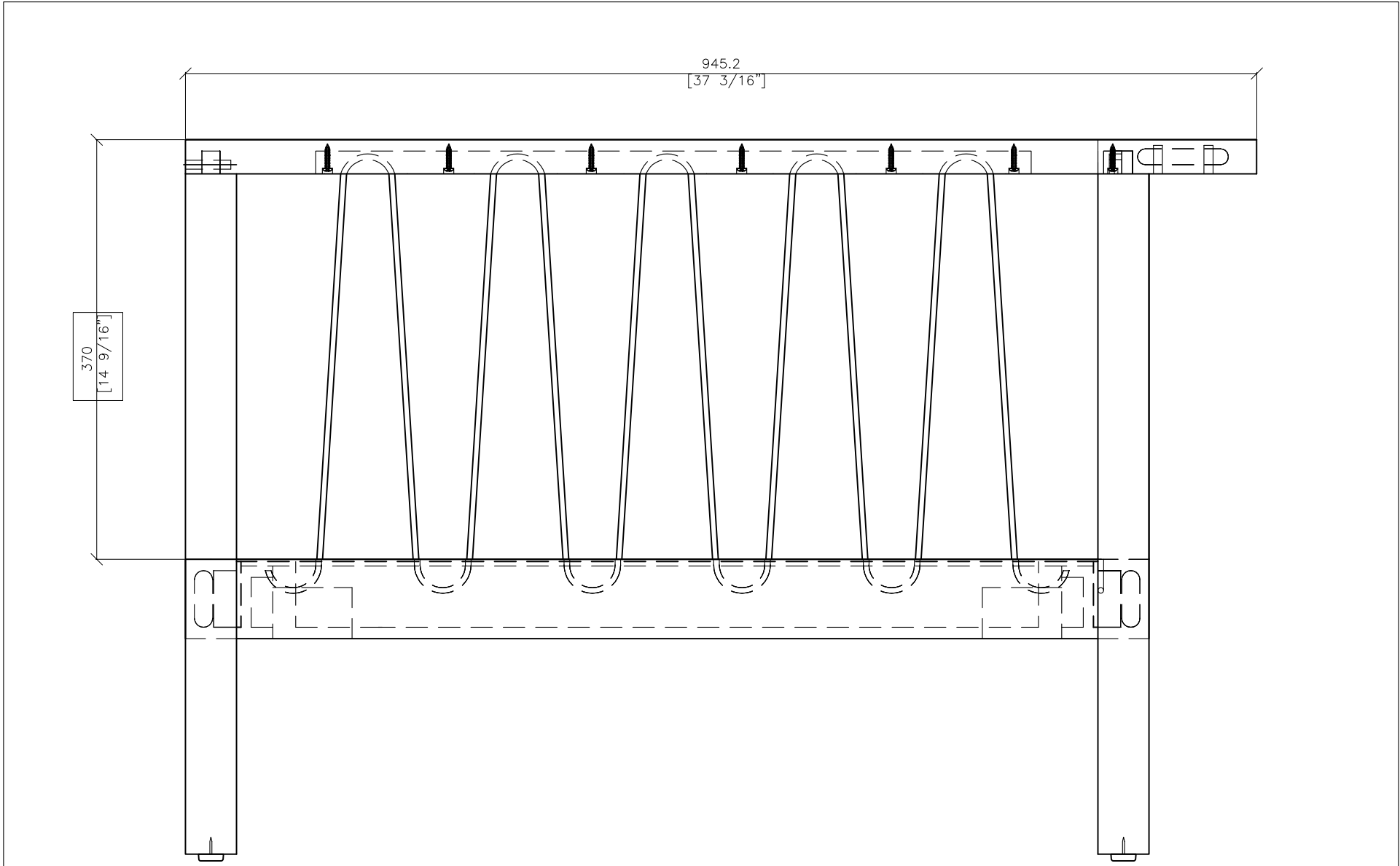
ISO
 P. 03



FRONT VIEW

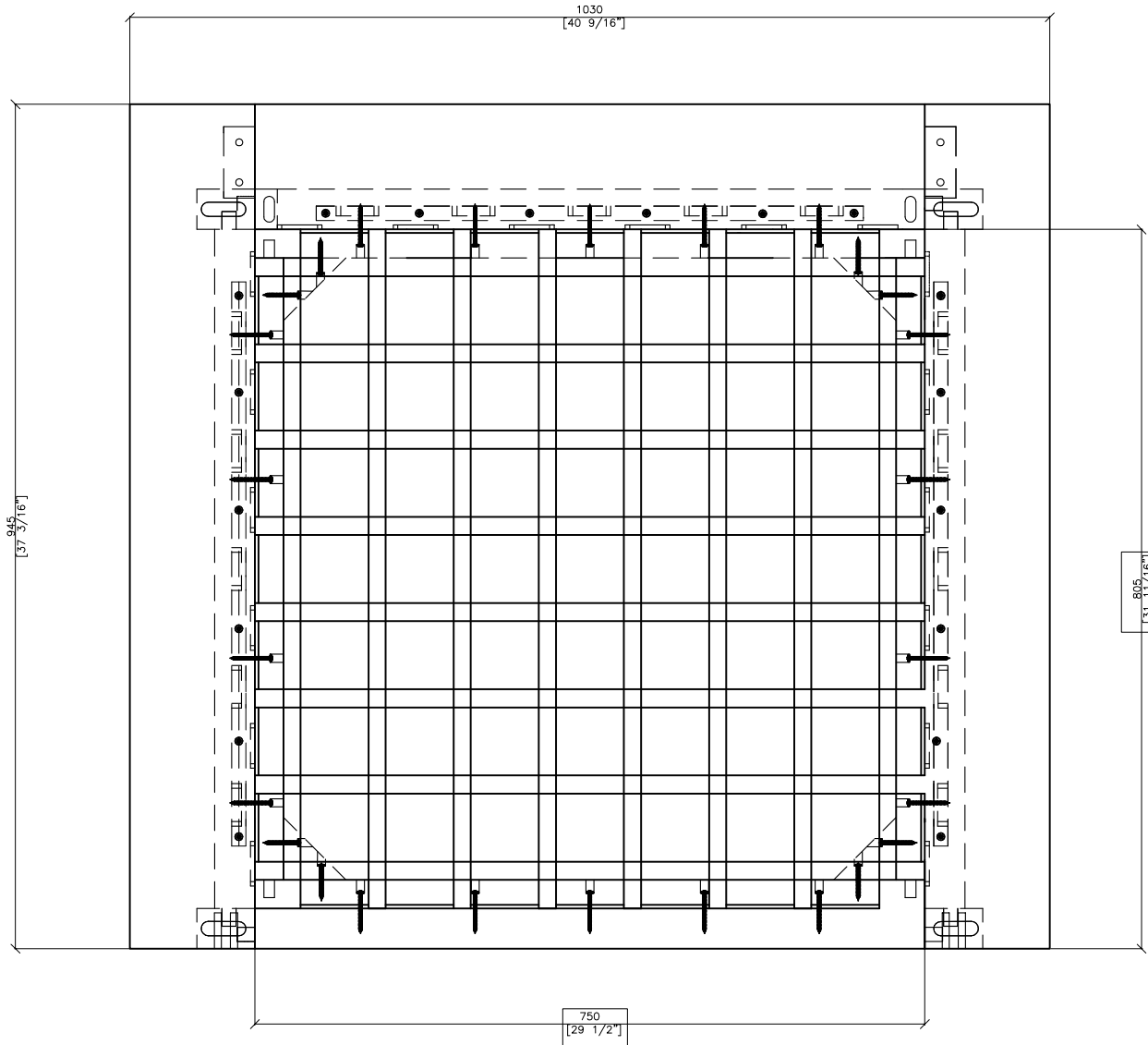
EF

OASIQ	DWG.NO: FAE0A10-1	TITLE :FRONT VIEW	DIM EXT: 945x1030x636 MM	MATERIAL: TEAK	DRAWN BY :BOY	FINISH DATE : 22-12-14	BOY	SCALE : 1:1	P. 05
						BEGIN DATE : 18-11-14	BOY		



SIDE VIEW

OASIQ	DWG.NO: FAE0A10-1	TITLE : SIDE VIEW	DIM EXT: 945x1030x636 MM	MATERIAL: TEAK	DRAWN BY : BOY	FINISH DATE : 22-12-14	BOY	SCALE : 1:1	ES
						BEGIN DATE : 18-11-14	BOY	⊕ ↺	



TOP VIEW

OASIQ	DWG.NO: FAE0A10-1	TITLE : TOP VIEW	DIM EXT: 945x1030x636 MM	MATERIAL: TEAK	DRAWN BY : BOY	FINISH DATE : 22-12-14	BOY	SCALE : 1:1	ET
						BEGIN DATE : 18-11-14	BOY		