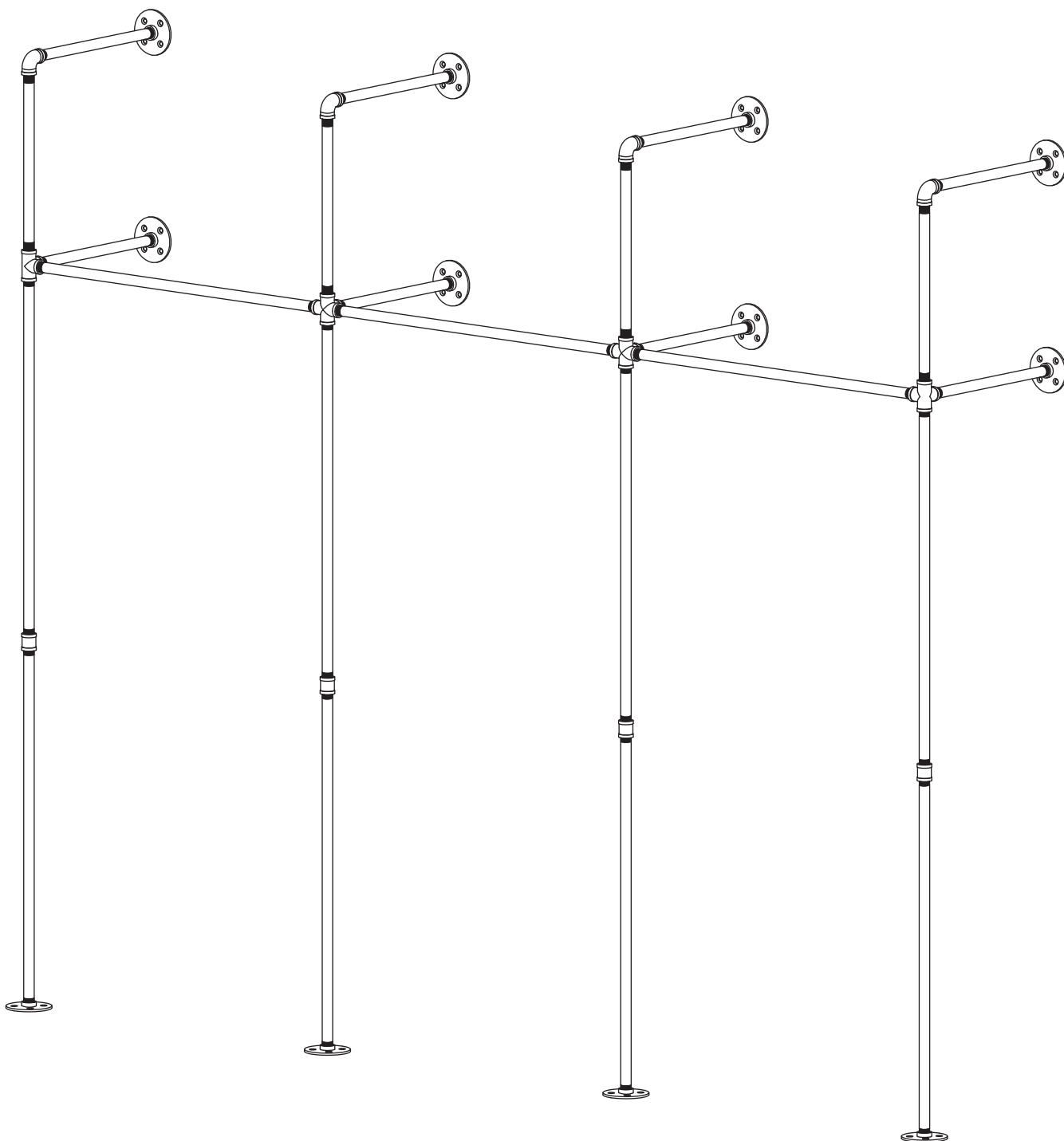




115" GALVANIZED STEEL WALL AND FLOOR-MOUNTED MODULAR PIPE WARDROBE KIT

NEED HELP OR ADVICE PUTTING THIS KIT TOGETHER? MISSING PIECES?
EMAIL US AT [SUPPORT@PIPE-DECOR.COM](mailto:support@pipe-decor.com) FOR ANY QUESTIONS



RESORE PIPE DECOR®

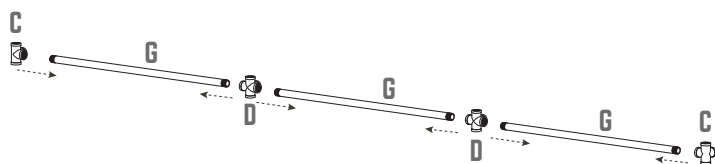
115" GALVANIZED STEEL WALL AND FLOOR-MOUNTED MODULAR PIPE WARDROBE KIT

EASY INSTALLATION: —

RECOMMENDED TOOLS FOR INSTALLATION

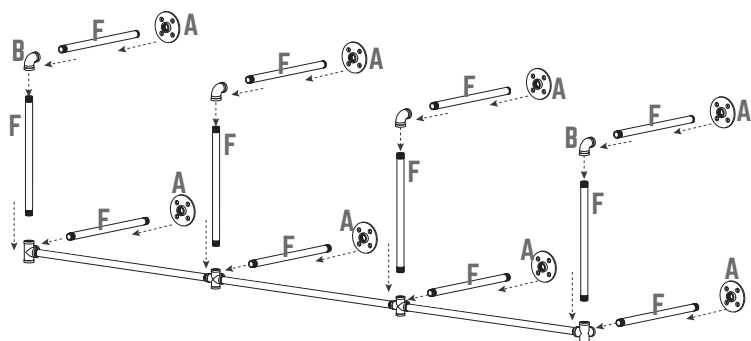


STEP 1 Start with the longest nipples (36")

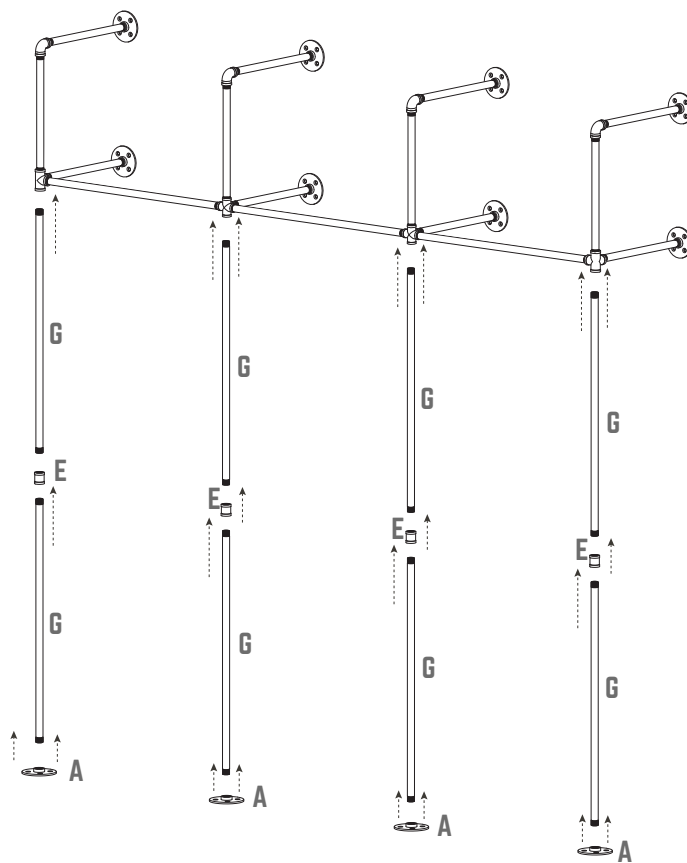


PART	DESCRIPTION	QTY
A	1/2" FLANGE	12
B	90° ELBOW	4
C	1/2" SIDE OUTLET TEE	2
D	5-WAY FITTING	2
E	1/2" COUPLING	4
F	12" NIPPLE	12
G	36" NIPPLE	11
H	SCREWS/ANCHORS	32

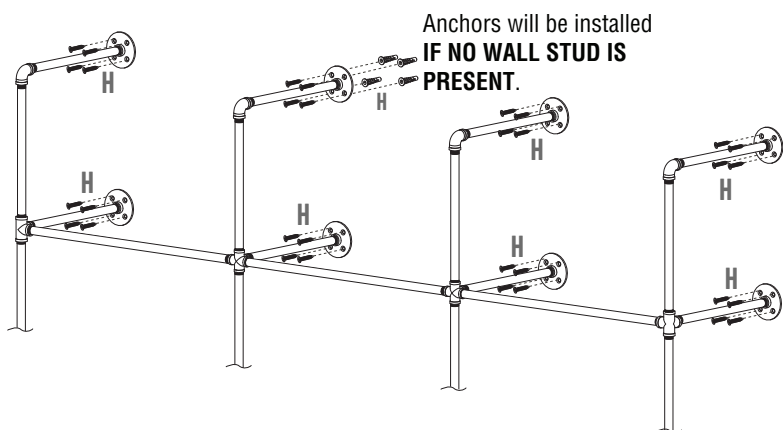
STEP 2



STEP 3



STEP 4



Anchors will be installed
**IF NO WALL STUD IS
PRESENT.**

- Place flange against wall in desired location and mark holes with pencil
- Using stud finder, locate and mark wall stud if found
- **If a wall stud is present**, attach flange to wall with included screws
- **If no wall stud is present:**
 - A) Drill pilot holes in wall using 1/4" drill bit
 - B) Insert anchor fully into pilot hole using hammer and Phillips screwdriver as needed
- Attach flange to wall using included screws