
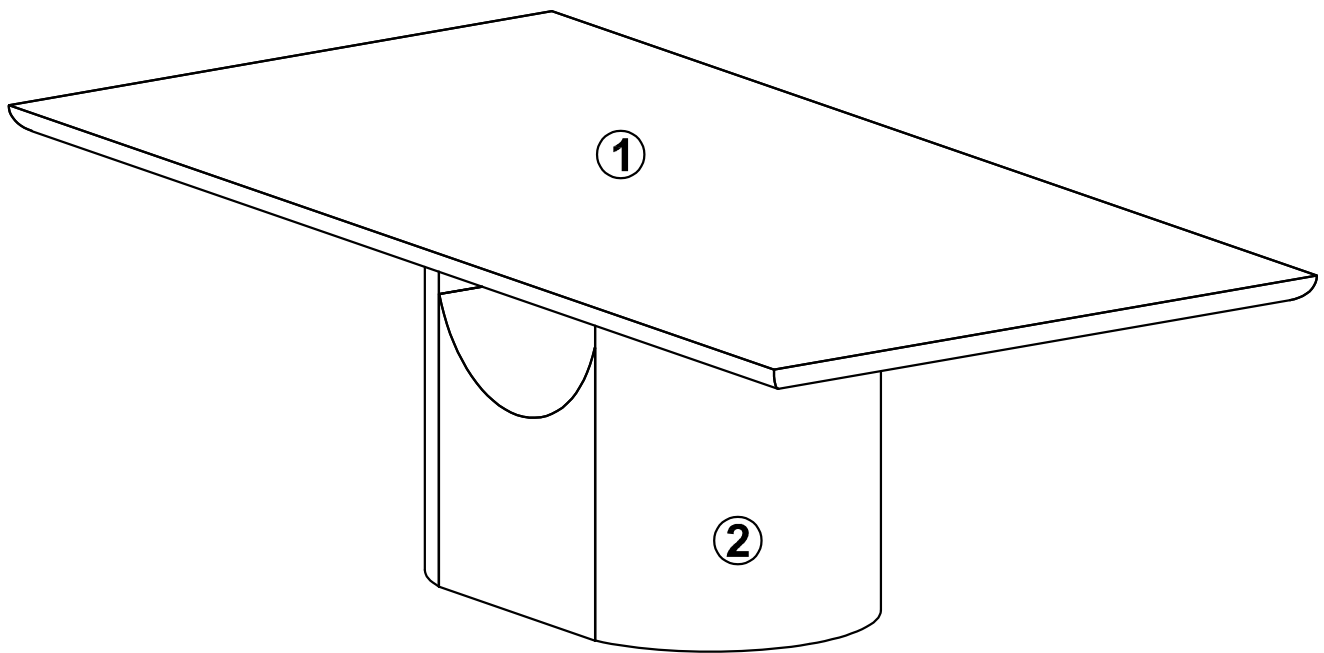


ASSEMBLY INSTRUCTION FOR

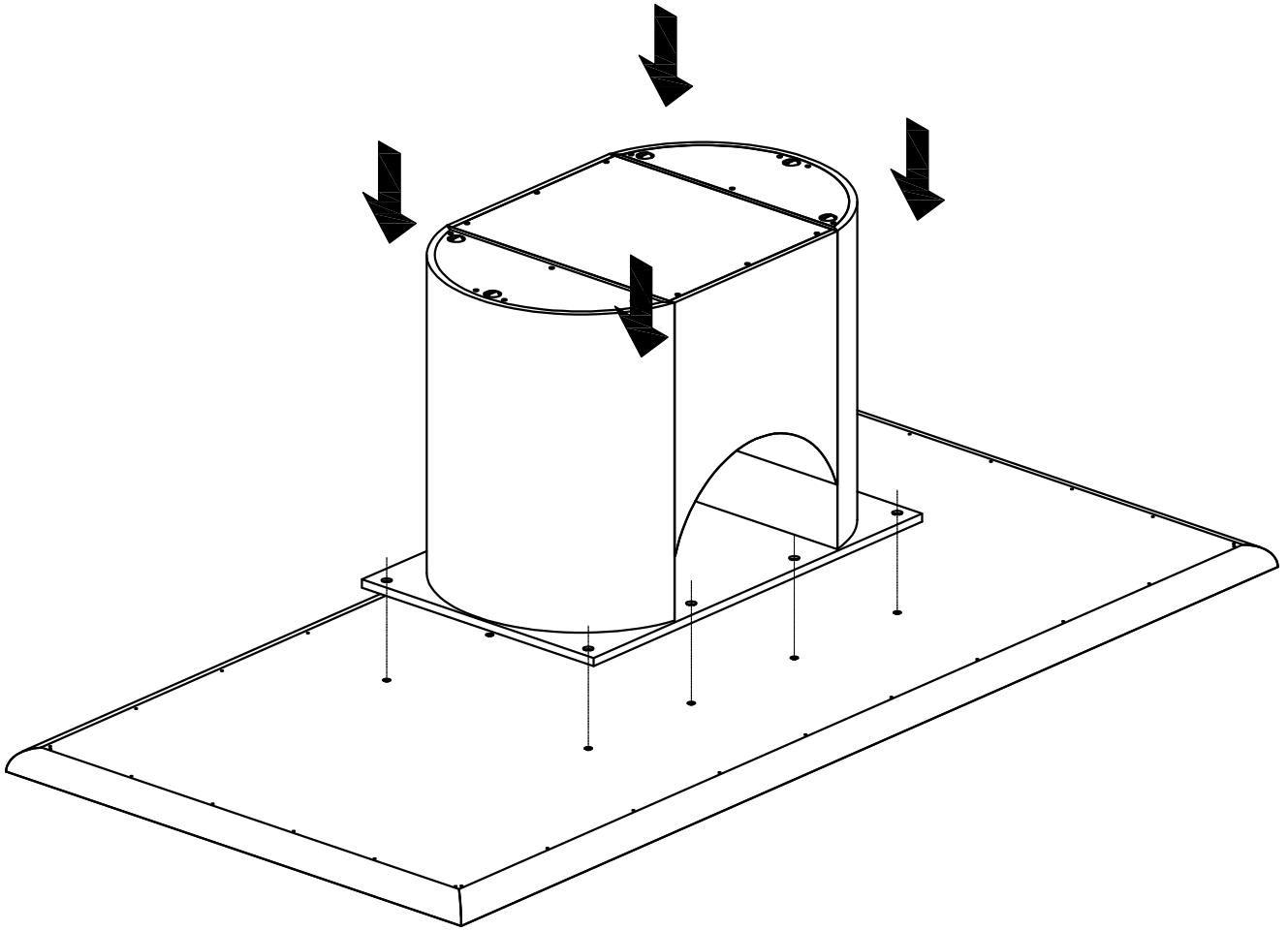
BEVIE DINING TABLE

Hardware List

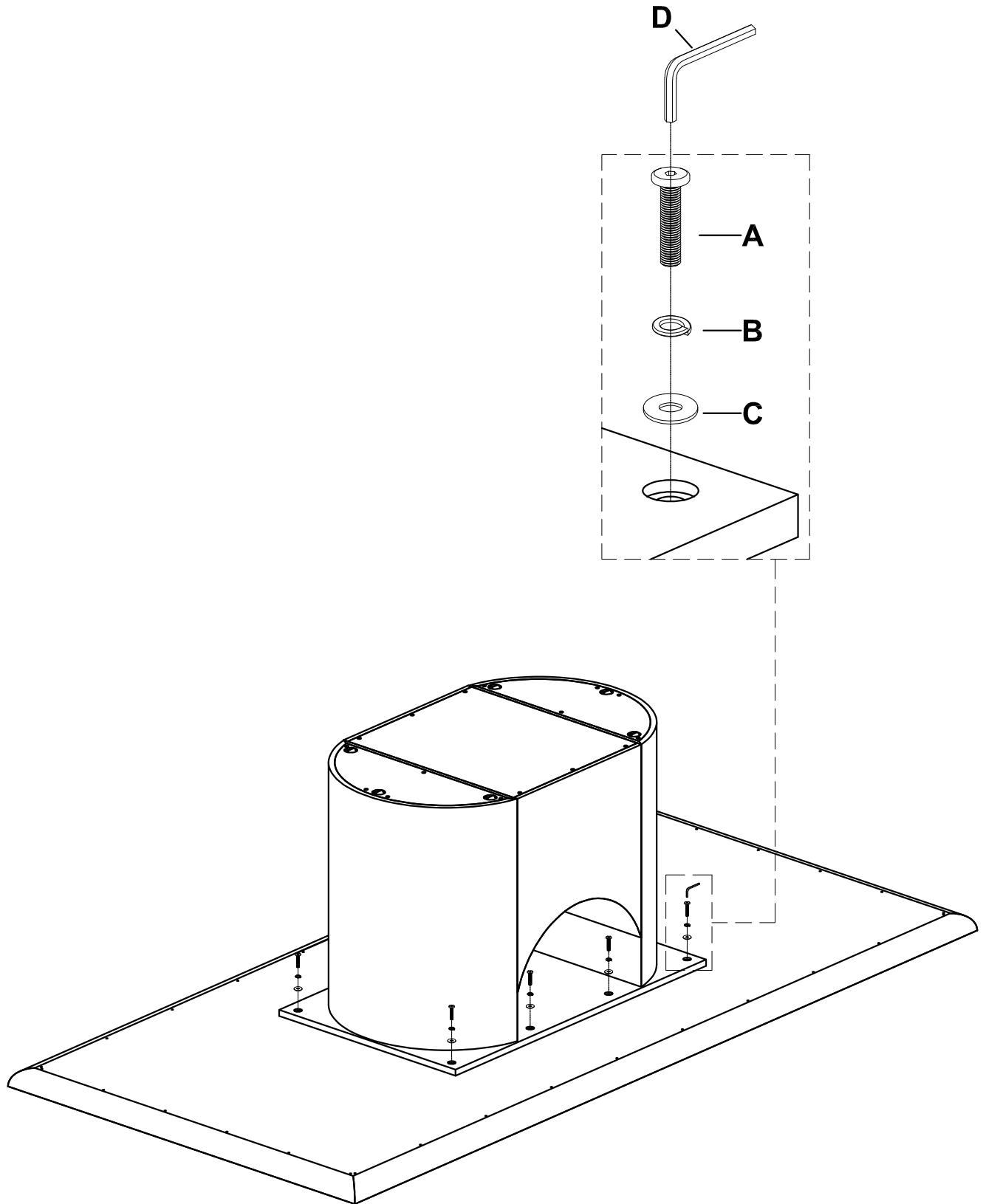
Hardware List				
A		Bolt	8x40 mm	8
B		Spring washer	Ø8 mm	8
C		Flat washer	8x19 mm	8
D		Allen key	5 mm	1



Step 1



Step 2



Step 3

