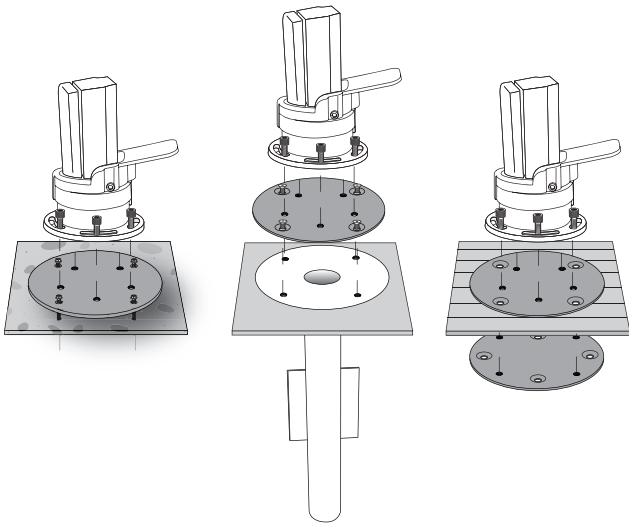


Mount Kits

Concrete
In-Ground
Wood



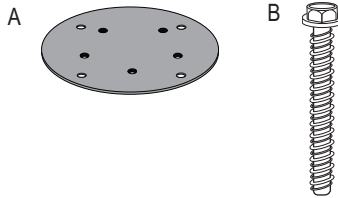
Instruction Manual

Please remove all contents from the package, inspect and review check list.
CAUTION: To reduce personal injury and damage to your mount kit or umbrella,
read and follow this instruction manual. *Save information for future reference.*

MOUNT KIT CHECK LIST

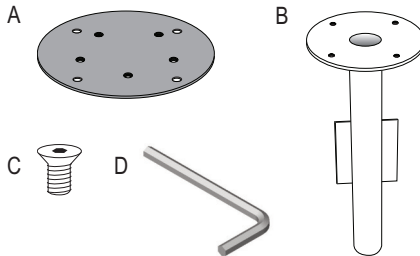
Concrete Mount Kit check list:

- A - Adapter Plate (8.5" diameter)
- B - Screw Anchors 3/8" x 3" (4)



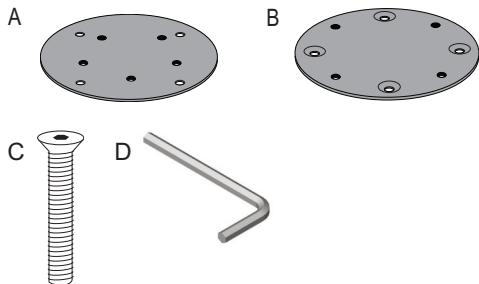
In-Ground Fitting Kit check list:

- A - Adapter Plate (8.5" diameter)
- B - In-Ground Fitting
- C - Stem Bolts (4)
- D - Allen Wrench



Wooden Deck Mount Kit check list:

- A - Adapter Plate
- B - Base Plate
- C - Round Countersunk Bolts (4)--
- D - Allen Wrench

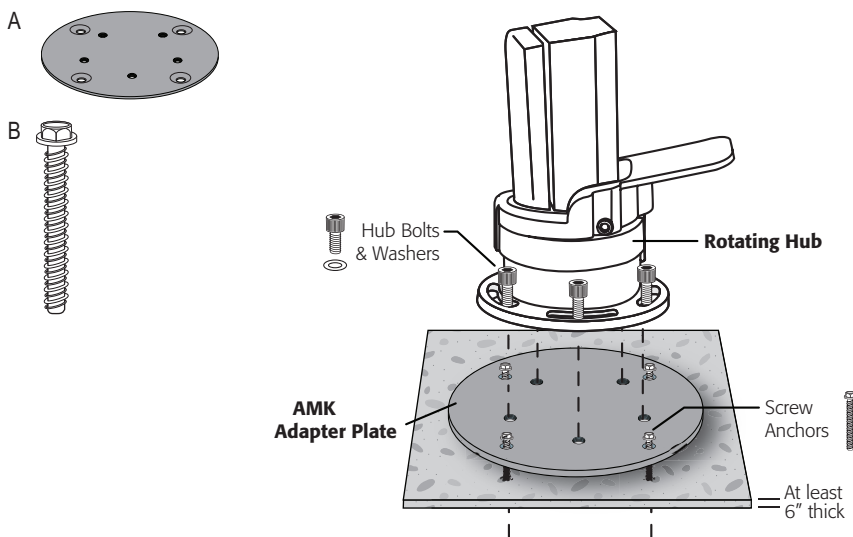


CONCRETE MOUNT KIT

Concrete Mount Kit includes:

A - Adapter Plate (8.5" diameter)

B - Screw Anchors 3/8" x 3" (4)



STEP 1 Bolt Adapter Plate

Bolt the adapter plate (countersunk holes faced down) to an existing concrete slab (or through no thicker than 1" pavers or tiles adhered to a concrete slab) using the supplied screw anchors. Use a 5/16" drill bit for holes.

STEP 2 Attach Rotating Hub to Adapter Plate

Attach rotating hub to adapter plate using the hub bolts that came with your umbrella.

STEP 3 Attach Umbrella

Slide frame over the newly mounted rotating hub. See your umbrella instruction manual for further assistance.

You are now ready to operate your umbrella!

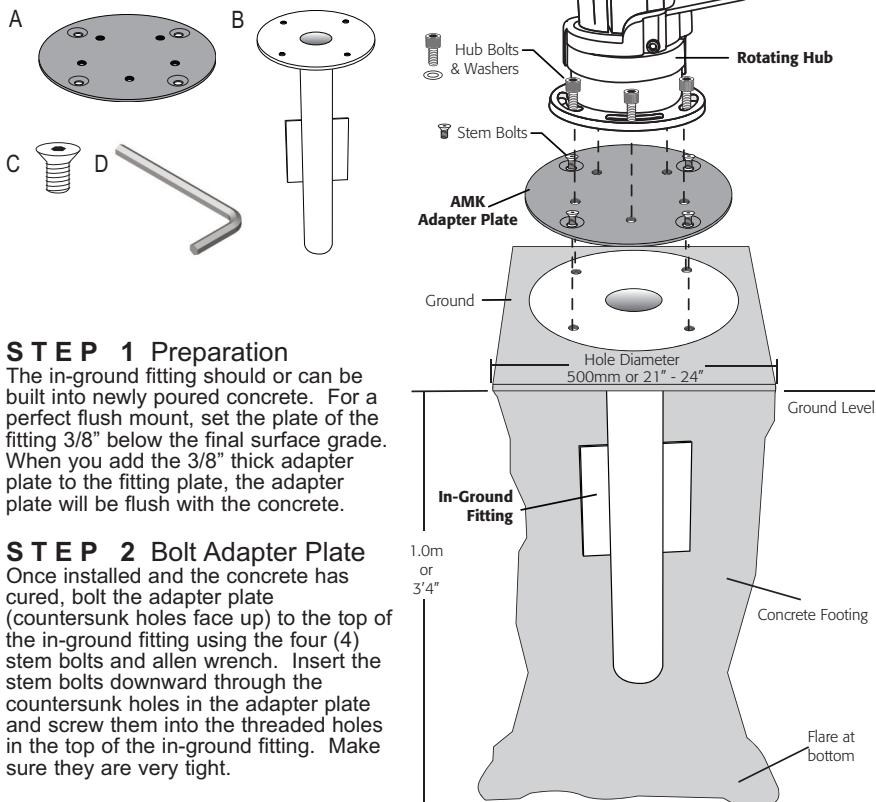
REMOVAL:

To remove your umbrella for seasonal storage or to move it to another base plate or in-ground fitting, see your umbrella Instruction Manual for further assistance on how to remove umbrella.

IN-GROUND MOUNT KIT

In-Ground Fitting Kit includes:

- A - Adapter Plate (8.5" diameter) C - Stem Bolts (4)
B - In-Ground Fitting D - Allen Wrench



STEP 1 Preparation

The in-ground fitting should or can be built into newly poured concrete. For a perfect flush mount, set the plate of the fitting 3/8" below the final surface grade. When you add the 3/8" thick adapter plate to the fitting plate, the adapter plate will be flush with the concrete.

STEP 2 Bolt Adapter Plate

Once installed and the concrete has cured, bolt the adapter plate (countersunk holes face up) to the top of the in-ground fitting using the four (4) stem bolts and allen wrench. Insert the stem bolts downward through the countersunk holes in the adapter plate and screw them into the threaded holes in the top of the in-ground fitting. Make sure they are very tight.

STEP 3 Attach Rotating Hub

Attach rotating hub to adapter plate using the hub bolts that came with your umbrella.

STEP 4 Attach Umbrella

Slide frame over the newly mounted rotating hub. See your umbrella instruction manual for further assistance.

You are now ready to operate your umbrella!

IMPORTANT: When concreting the in-ground fitting in place, make sure not to get slurry in the screw threads. Either apply tape over the holes on both sides of the fitting or place the stem bolts in the threads and withdraw them when the concrete is set. Make sure that the in-ground fitting is perfectly level. Allow the concrete to cure for the appropriate cure time for your area before installing the umbrella onto the fitting.

REMOVAL:

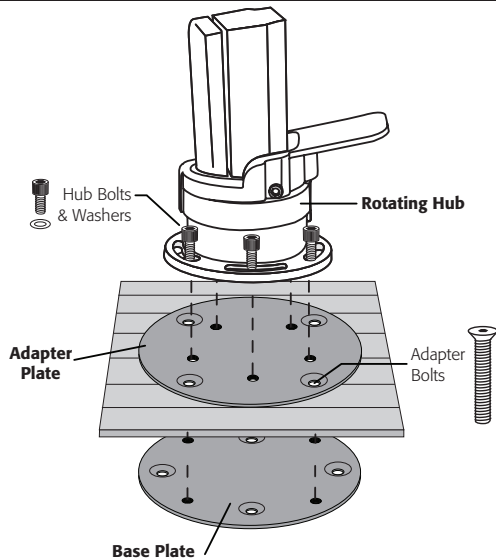
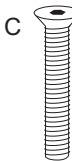
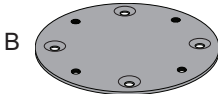
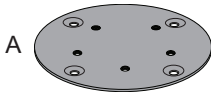
To remove your umbrella for seasonal storage or to move it to another base plate or in-ground fitting, see your umbrella Instruction Manual for further assistance on how to remove umbrella.

WOODEN DECK MOUNT KIT

Wooden Deck Mount Kit

includes:

- A - Adapter Plate
- B - Base Plate
- C - Round Countersunk Bolts (4)
- D - Allen Wrench



STEP 1 Adapter Plate

Locate adapter plate and place in desired location on the deck. The adapter plate should overlap two deck planks evenly. Adjust the base plate so that the proper alignment is ensured.

STEP 2 Drilling Deck Planks

Mark the four countersunk holes onto the deck for drilling. Drill four 10mm holes through the deck planks for the round countersunk bolts. Remove enough deck screws or nails from these planks to be able to install base plate underneath the planks.

STEP 3 Attach Base and Adapter Plates to Deck Planks

Attach the base plate and adapter plate together, with the base plate under the deck and the adapter plate on top of the deck planks, using four (4) round countersunk bolts (Note: If deck is thicker, longer bolts will be required. A contractor can help determine appropriate size bolts). Insert the (4) round countersunk downward through the top of the countersunk holes on adapter plate, through the planks, and screw them into the threaded holes in the bottom base plate. Make sure they are very tight.

STEP 4 Fasten Deck Planks

Refasten the deck planks to the joists by attaching removed screws from Step 2 in the original holes closest to the base plate. Two structural deck screws should be used on either side of the base plate in each plank.

STEP 5 Attach Rotating Hub to Adapter Plate

Attach rotating hub to adapter plate using the hub bolts and washers that came with your umbrella.

STEP 6 Attach Umbrella

Slide frame over the newly mounted rotating hub. See your umbrella instruction manual for further assistance.

You are now ready to operate your umbrella!

REMOVAL:

To remove your umbrella for seasonal storage or to move it to another base plate or in-ground fitting, see your umbrella Instruction Manual for further assistance on how to remove umbrella.

DISCLAIMER:

THE MOUNTING KIT SHOULD ONLY BE PROFESSIONALLY INSTALLED BY A LICENSED CONTRACTOR DULY QUALIFIED TO PERFORM THE INSTALLATION. SIMPLY SHADE ASSUMES NO LIABILITY AND EXPRESSLY DISCLAIMS ANY RESPONSIBILITY FOR INJURIES OR DAMAGES ARISING FROM OR RELATED TO THE FAILURE OF BUYER TO HAVE THE MOUNTING KIT INSTALLED BY A LICENSED PROFESSIONAL CONTRACTOR. SIMPLY SHADE MAKES NO WARRANTY EXCEPT AS EXPRESSLY STATED HEREIN, AND NO WARRANTY EXCEPT TITLE TO MATERIALS FURNISHED SHALL BE IMPLIED WITH RESPECT TO THIS ORDER.

DISCLAIMER OF WARRANTIES: EXCEPT AS HEREIN EXPRESSLY SET FORTH, THIS PRODUCT IS SOLD “AS IS” AND “WITH ALL FAULTS”, AND WITHOUT ANY IMPLIED WARRANTY OF MERCHANTABILITY -- WHICH WARRANTY IS HEREBY EXPRESSLY EXCLUDED. THIS PRODUCT IS SOLD WITHOUT ANY IMPLIED WARRANTY OF FITNESS FOR A PARTICULAR PURPOSE -- WHICH WARRANTY IS HEREBY EXPRESSLY EXCLUDED. MOREOVER, THERE ARE NO WARRANTIES WHICH EXTEND BEYOND THE DESCRIPTION ON THE FACE HEREOF.”

WARRANTY:

The manufacturer warrants that this umbrella, when subject to normal and proper use, will be free from manufacturing defects for a period of one year from the original date of purchase. Should any defect occur during the specified time period, the manufacturer will repair, replace, or provide replacement parts, at its own option. Limited warranty against fabric fading, based on fabric grade. Warranty is not transferable.

We will not warrant any claim coverage unless both the original sales receipt and request form are sent to us. Any items that are returned for warranty or non warranty purposes must be issued a Return Authorization Number. Only

upon issuance of an RA # and inspection by our QC department will credit or replacement of umbrella be issued. It is the customer's responsibility to pay the freight on return products or replacement parts. ALL RETURNED ITEMS MUST INCLUDE THE RA# CLEARLY WRITTEN ON THE RETURN PACKAGE or package will be refused by our warehouse personnel.

NOTE: Damages and failure caused by improper use due to neglect of reasonable and necessary care are not covered by this warranty.

Additionally, acts of nature (including but not limited to wind, hurricanes, tornadoes, and storms) are not covered by this warranty.

CAUTION: HANDLE WITH CARE

- To reduce personal injury and damage, read and follow this Assembly and Operation information.
- Close the umbrella in windy conditions or when a storm approaches. Never allow the umbrella to flap in the wind; this could damage the canopy.
- Do not leave open umbrella unattended.
- Do not allow children to play on or with the base.

SimplyShade™

www.simplyshade.com

©2015 Simply Shade - All Rights Reserved.

7/15