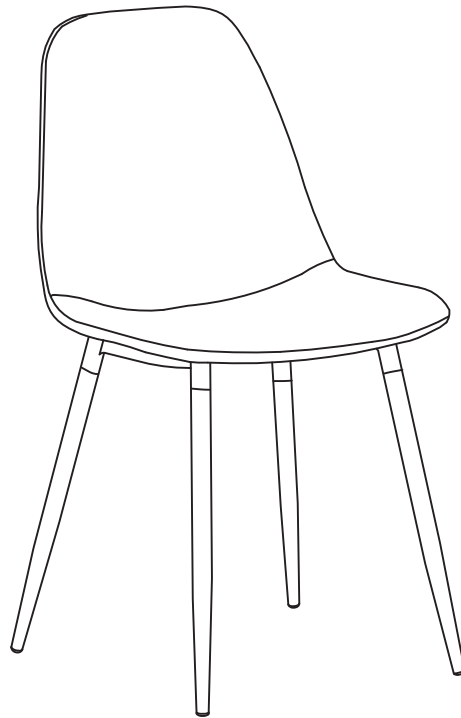
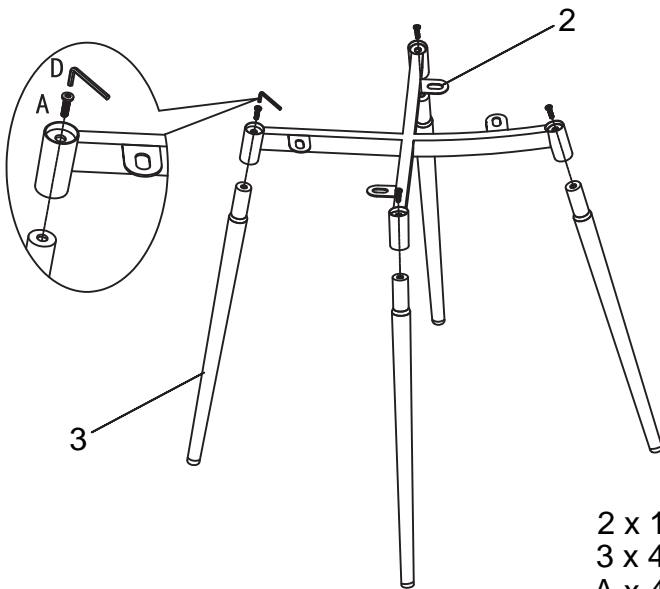


ASSEMBLY INSTRUCTIONS

B0501a

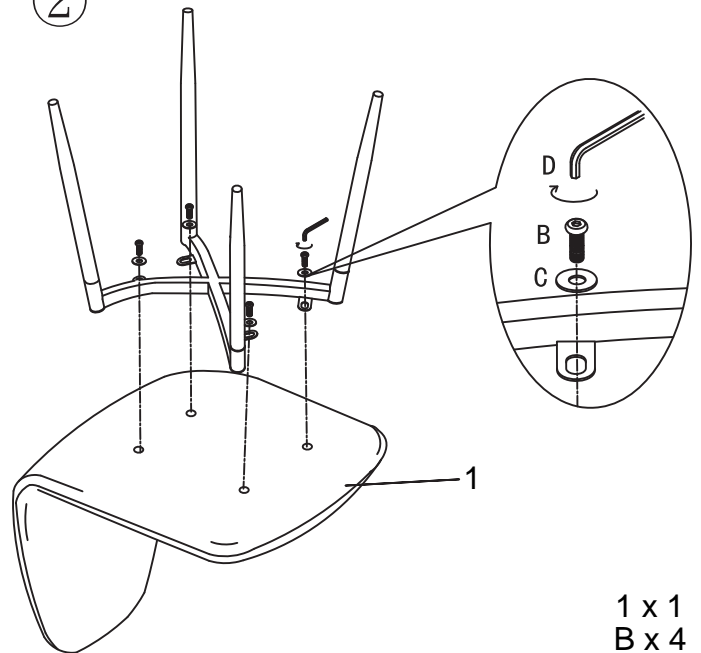


①



2 x 1
3 x 4
A x 4
D x 1

②



1 x 1
B x 4
C x 4
D x 1

