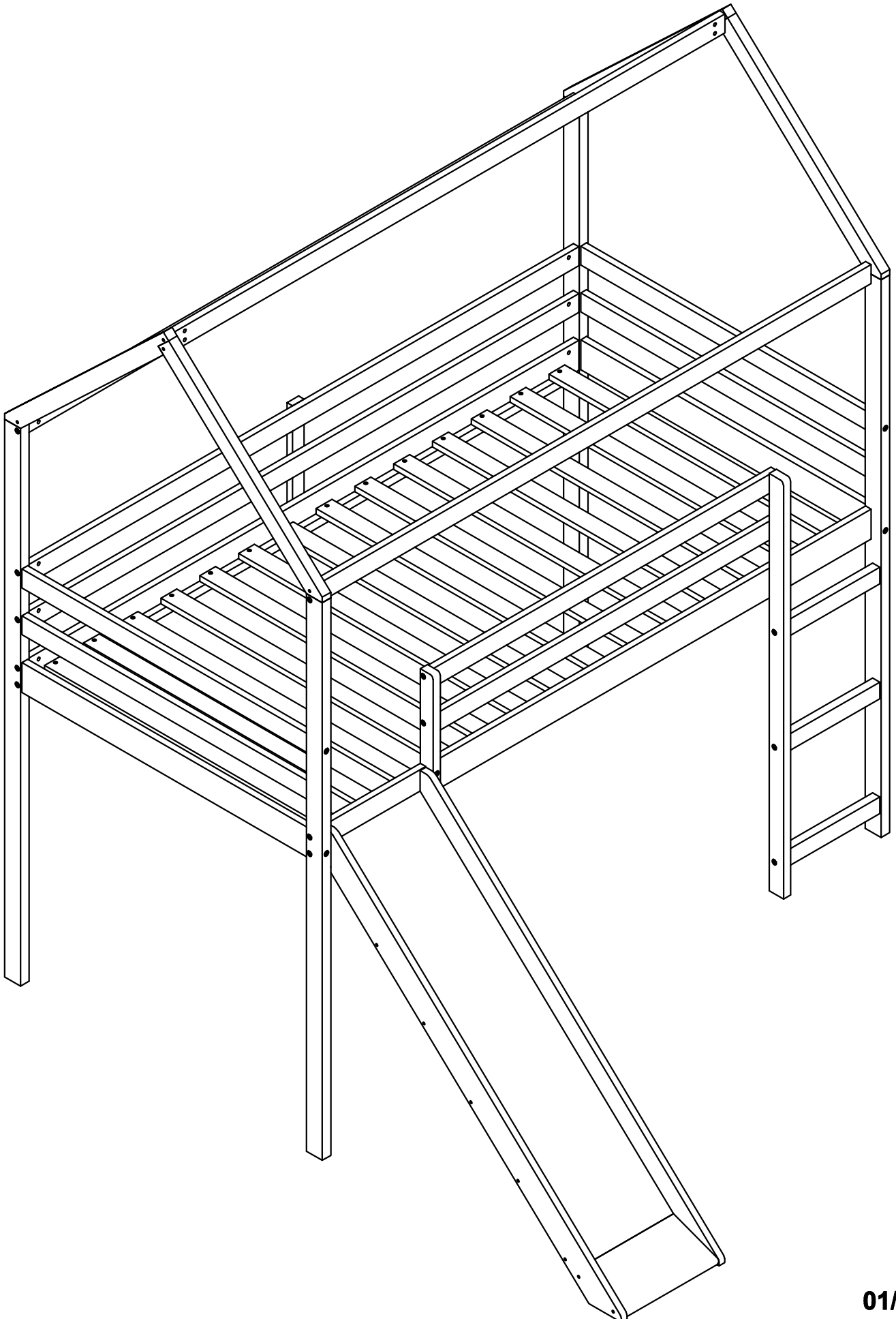


ASSEMBLY INSTRUCTION



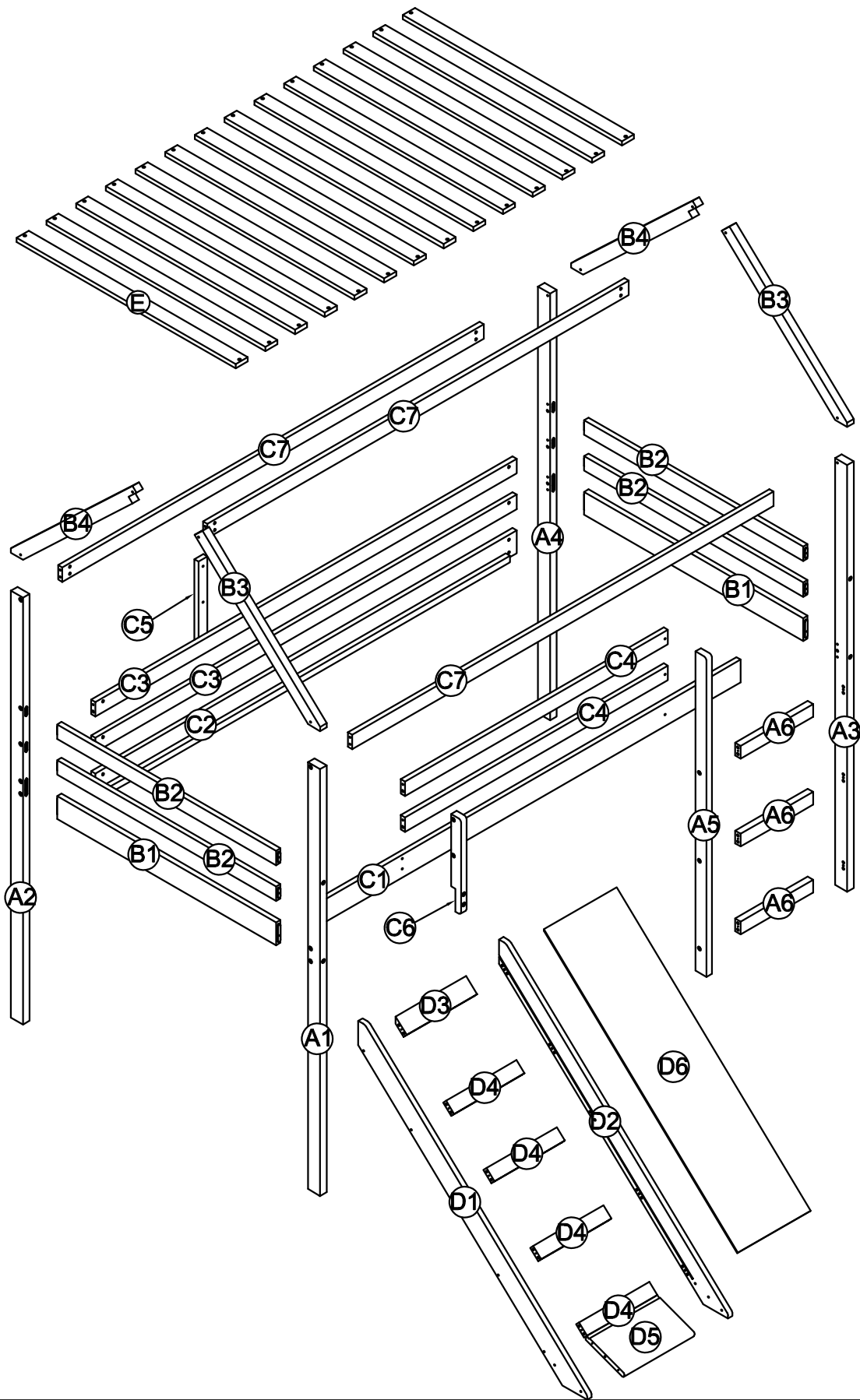
! SAFETY WARNINGS !

1. This bed is designed for use only mattress (es) meeting the following specifications on the upper bunk, and lower bunk



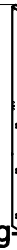


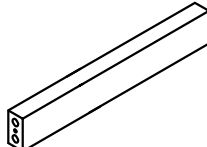


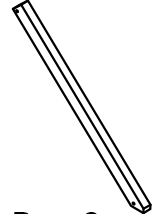
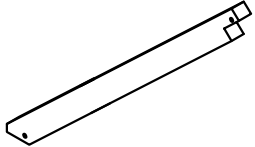
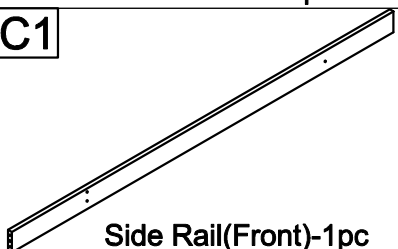
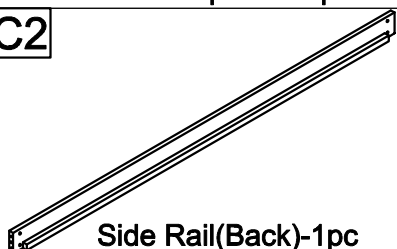
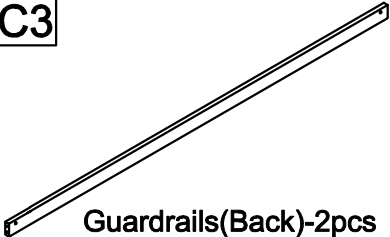
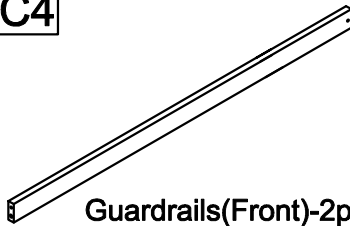


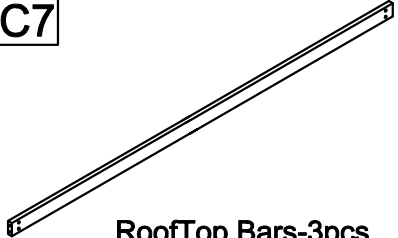
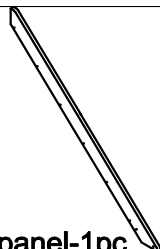
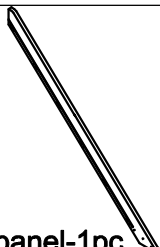
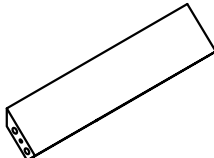
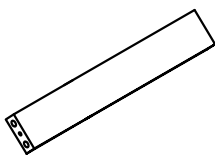
Upper bed Bed Type	Length	Width	Thickness
<i>Twin Standard</i>	<i>74" - 75"</i>	<i>38 1/2"</i>	<i>6" max</i>

2. Replacement parts, including additional guardrails, maybe obtained from any of our (GIGACLOUD TECHNOLOGY (USA) INC. 18961 ARENTH AVENUE CITY OF INDUSTRY, CA, 91748) dealers
3. Follow the information on the warnings appearing on the upper bunk bed end structure and on the carton. Do not remove warning label from bed
4. Always use the recommended size mattresses or mattress supports, or both, to help prevent the likelihood of entrapment or falls.
5. Surface of mattress must be at least 5" (127mm) below the upper edge of guardrails
6. Do not allow children under 6 years of age to use the upper bunk.
7. Periodically check and ensure that the guardrail, ladder, and other components are in their proper position, free from damage, and that all connectors are tight.
8. Do not allow horseplay on or under the bed and prohibit jumping on the bed.
9. Always use the ladder for entering and leaving the upper bunkAlways use the ladder for entering and leaving the upper bunk.
10. Do not use substitute part. Contact the manufacture or dealer for replacement part
11. Use of a night light may provide added safety precaution for a child using the upper bunk..
12. Always use guardrails on both long sides of the upper bunk. If the bunk bed will be placed next to the wall, the guardrail that runs the full length of the bed should be placed against the wall to prevent entrapment between the bed and wall.
13. The use of water or sleep flotation mattresses is prohibited
14. STRANGULATION HAZARD - Never attach or hang items to any part of the bunk bed that are not designed for use with the bed; for example, but not limited to, hook, belts and jump ropes
15. Keep these instruction for future reference
16. Prohibit more than one person on upper bunk
17. We recommend assembling your bunk bed on the shipping carton to protect your floor or carpet
18. Be certain all staples are out of the box before beginning assembly on the shipping carton.

ASSEMBLY INSTRUCTION

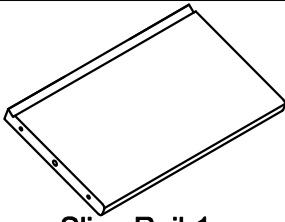


Part List

<p>A1</p>  <p>Leg-1pc</p>	<p>A2</p>  <p>Leg-1pc</p>	<p>A3</p>  <p>Leg-1pc</p>
<p>A4</p>  <p>Leg-1pc</p>	<p>A5</p>  <p>Leg-1pc</p>	<p>A6</p>  <p>Step Stairs-3pcs</p>
<p>B1</p>  <p>Wood Bars-2pcs</p>	<p>B2</p>  <p>Wood Bars-4pcs</p>	<p>B3</p>  <p>RoofTop Bars-2pcs</p>
<p>B4</p>  <p>RoofTop Bars-2pcs</p>	<p>C1</p>  <p>Side Rail(Front)-1pc</p>	<p>C2</p>  <p>Side Rail(Back)-1pc</p>
<p>C3</p>  <p>Guardrails(Back)-2pcs</p>	<p>C4</p>  <p>Guardrails(Front)-2pcs</p>	<p>C5</p>  <p>Rail-1pc</p>
<p>C6</p>  <p>Rail-1pc</p>	<p>C7</p>  <p>RoofTop Bars-3pcs</p>	<p>D1</p>  <p>Slice-Side panel-1pc</p>
<p>D2</p>  <p>Slice-Side panel-1pc</p>	<p>D3</p>  <p>Slice-Rail-1pc</p>	<p>D4</p>  <p>Slice-Rails-4pcs</p>

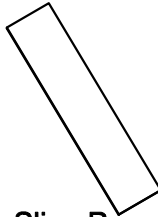
Part List

D5



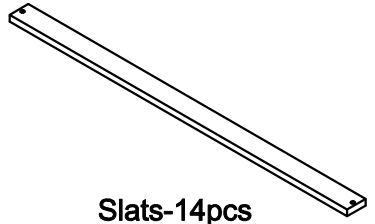
Slice-Rail-1pc

D6





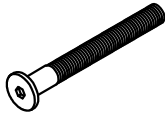

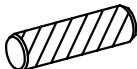


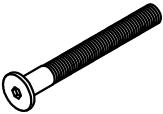

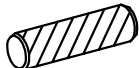

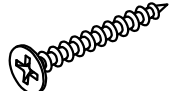

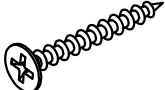

Slice-Panel-1pc

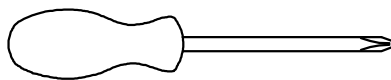
E



Slats-14pcs

Hardware List

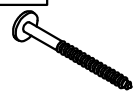
<p>1</p>  <p>Screws 1/4" x80 8pcs</p>	<p>2</p>  <p>Screws 1/4" x30 3pcs</p>	<p>3</p>  <p>Ø1/4" x 80 mm Hex-Head bolts 24pcs</p>
<p>4</p>  <p>Ø1/4" x 13 mm Horizontal-Hole bolts 26pcs</p>	<p>5</p>  <p>Ø10 x 40 mm Wood dowel 22pcs</p>	<p>6</p>  <p>Screws 1/4" x50 23pcs</p>
<p>7</p>  <p>Ø1/4" x 35 mm Hex-Head bolts 2pcs</p>	<p>8</p>  <p>Ø1/4" x 70 mm Hex-Head bolts 2pcs</p>	<p>9</p>  <p>Ø1/4" x 15 mm Canopy head though -2pcs</p>
<p>10</p>  <p>Ø8 x 30 mm Wood dowel 22pcs</p>	<p>11</p>  <p>Washer Ø10/Ø6x2 14pcs</p>	<p>12</p>  <p>M4 x 20 mm Wood Screws 6pcs</p>
<p>13</p>  <p>Bracket 2pcs</p>	<p>14</p>  <p>M4 x 30 mm Wood Screws 28pcs</p>	<p>15</p>  <p>Allen Key 1pc</p>

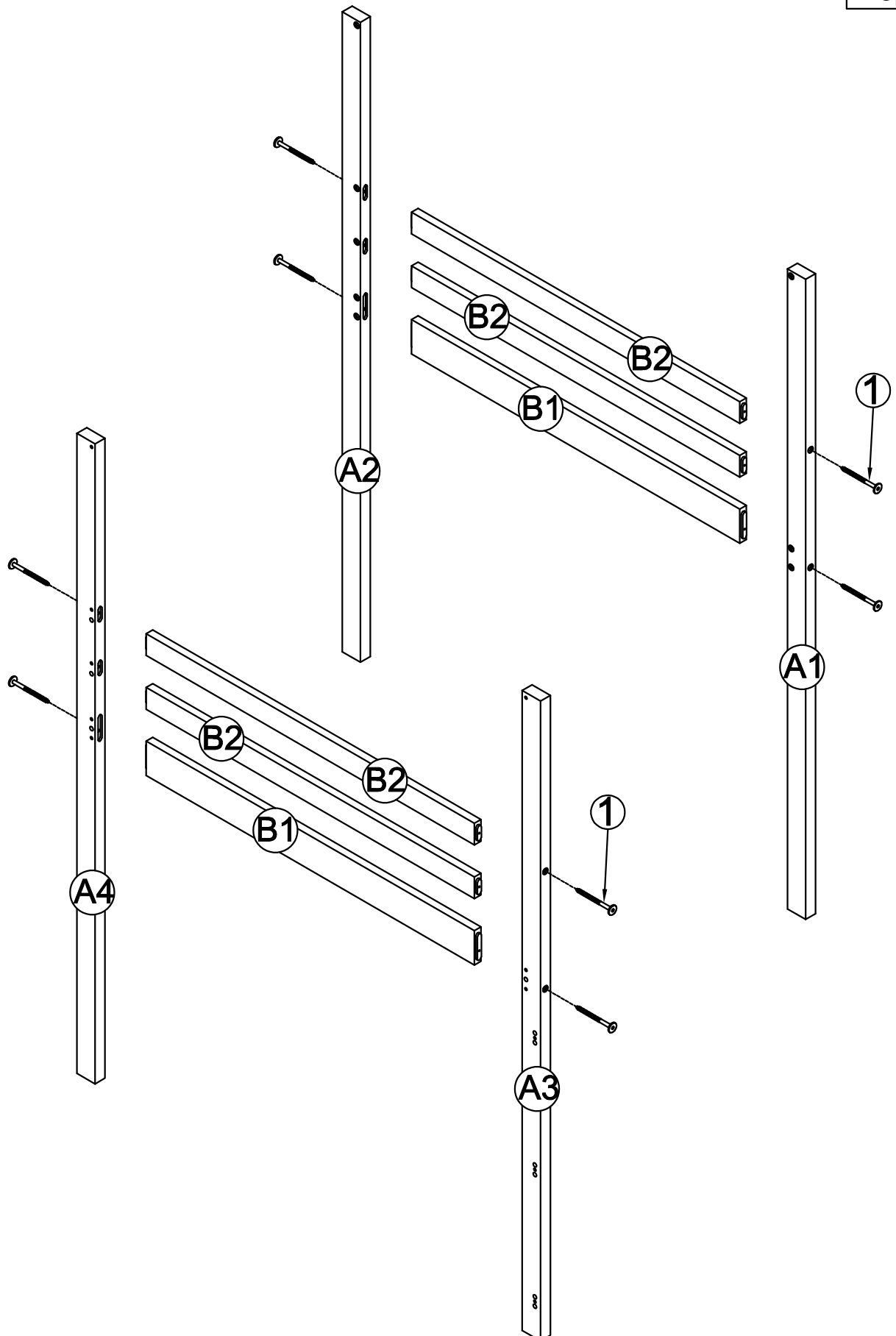


Assembly Tools Required (Not Included)

STEP 1: Following below illustration:

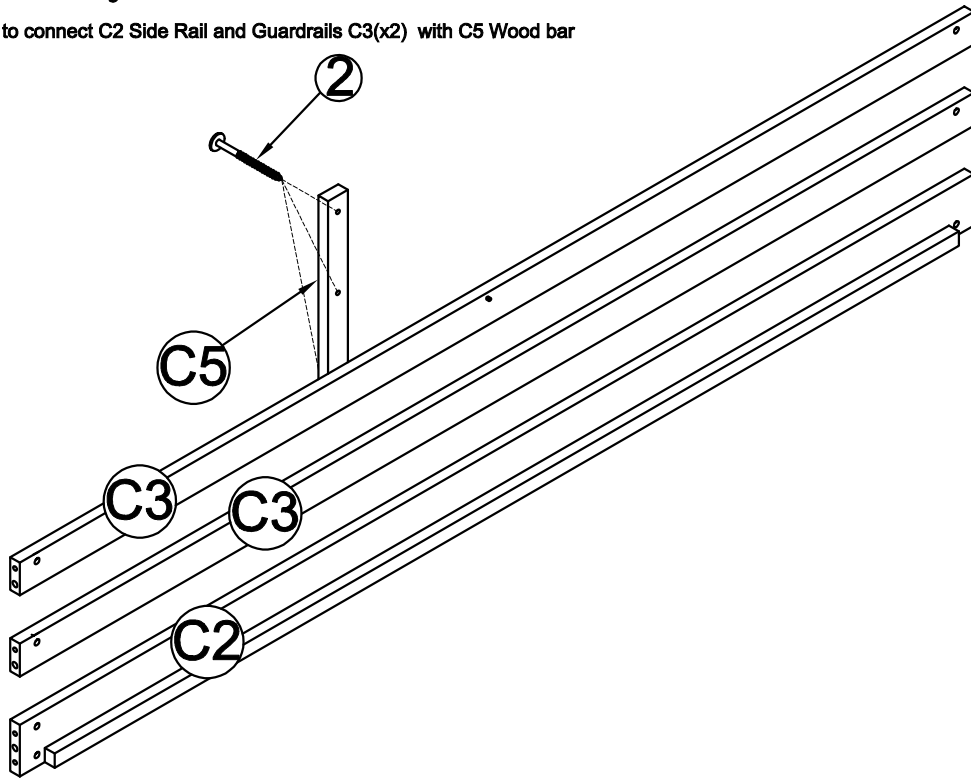
- Using hardware #1 to connect B1,B2(x2) Wood Bars with A1,A2 Legs
- Using hardware #1 to connect B1,B2(x2) Wood Bars with A3,A4 Legs

1

8pcs



STEP 2: Following below illustration:

-Using hardware #2 to connect C2 Side Rail and Guardrails C3(x2) with C5 Wood bar



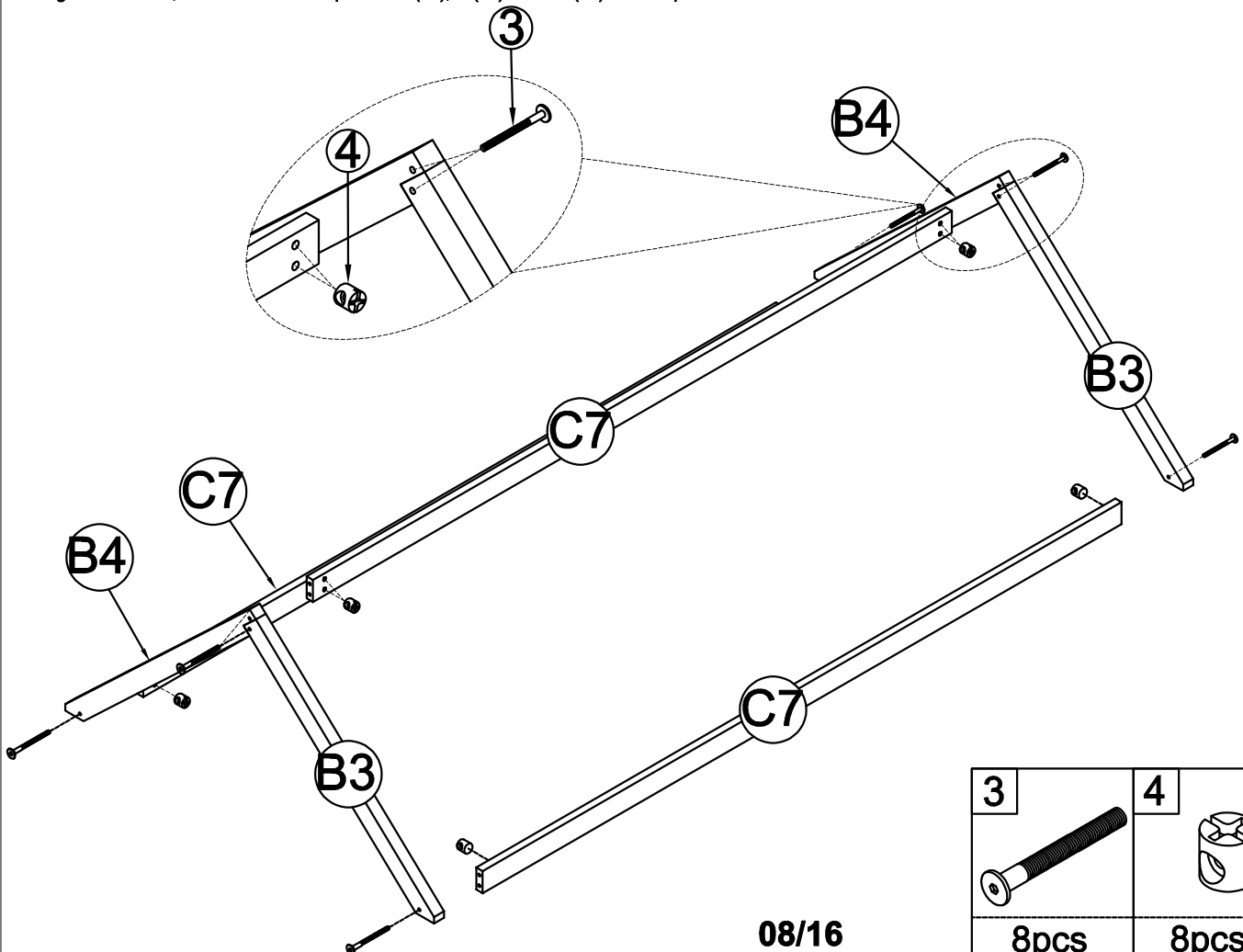
2



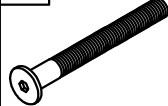
3pcs

STEP 3: Following below illustration..

-Using hardware #3,#4 connect Roof Top Bars B3(x2),B4(x2) With C7(x3) Roof Top Bars



3



8pcs

4

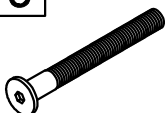

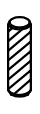


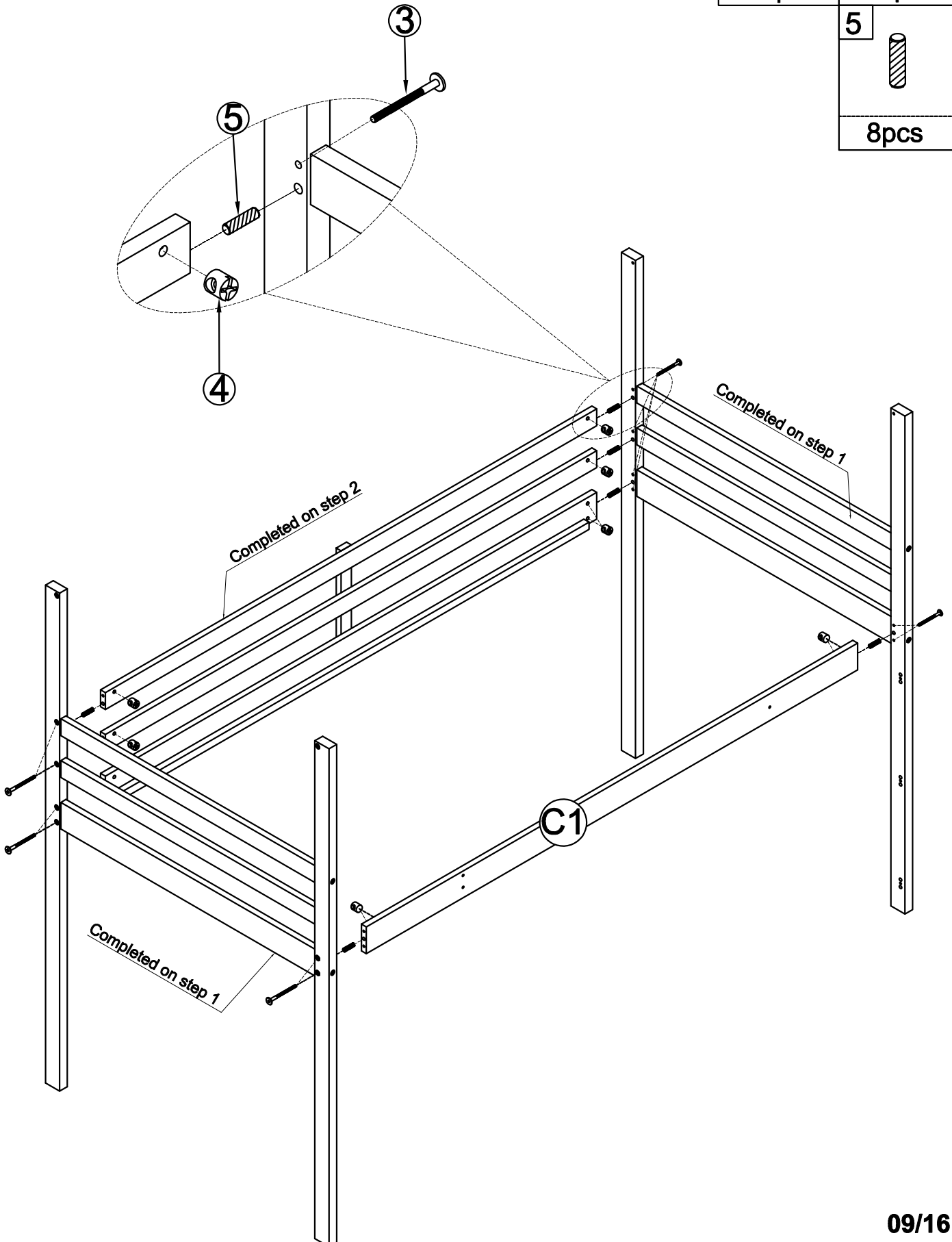
8pcs

08/16

STEP 4: Following below illustration:.

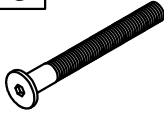

-Using hardware #3,#4 and Dowel 5 connect Frame(Completed 1) With Frame(Completed 2) and Side Rail C1

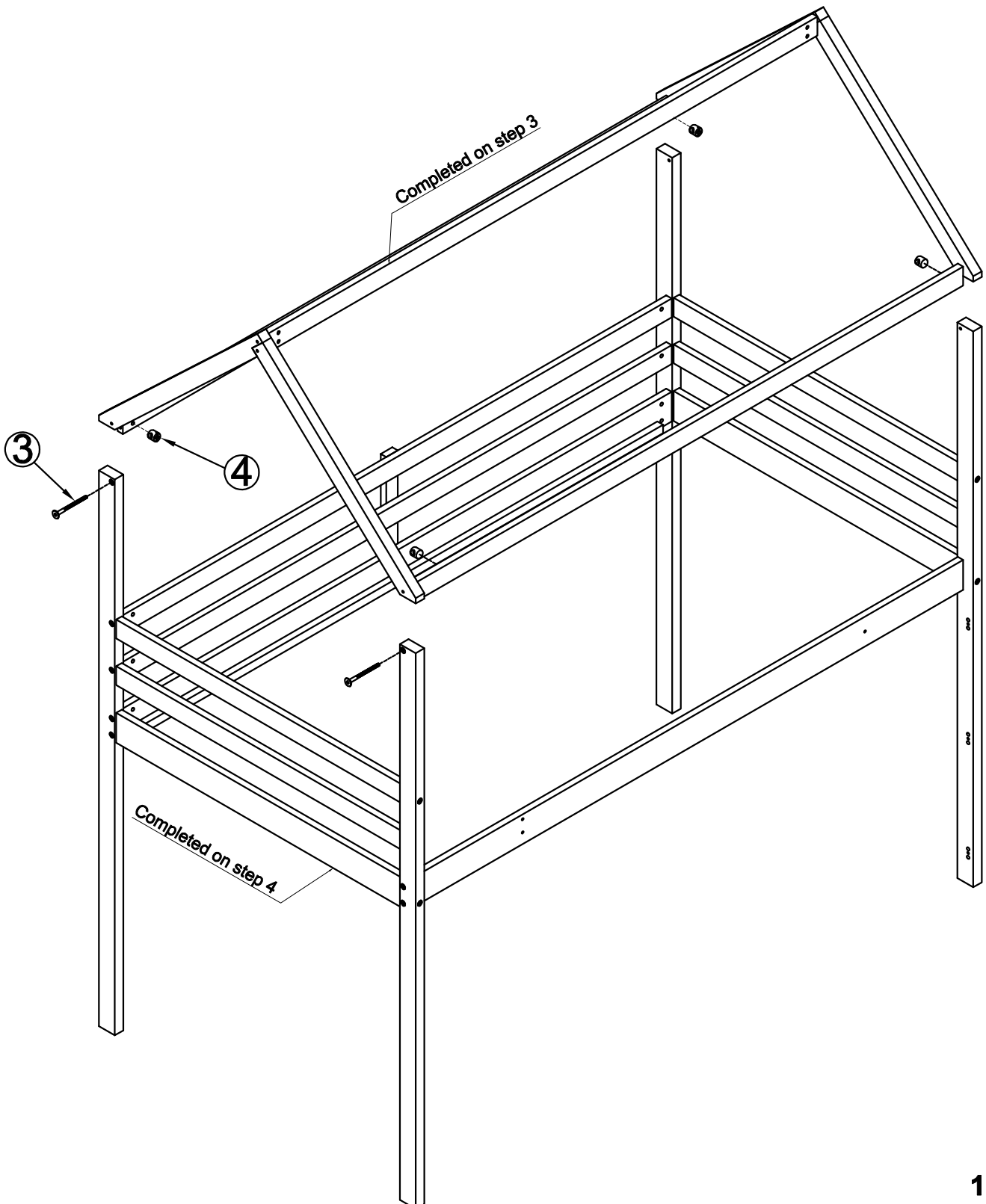
3		4	
12pcs		12pcs	
		5	
		8pcs	



STEP 5: Following below illustration:.



-Using hardware #3,#4 connect Frame(Completed 4) With Frame(Completed 3)

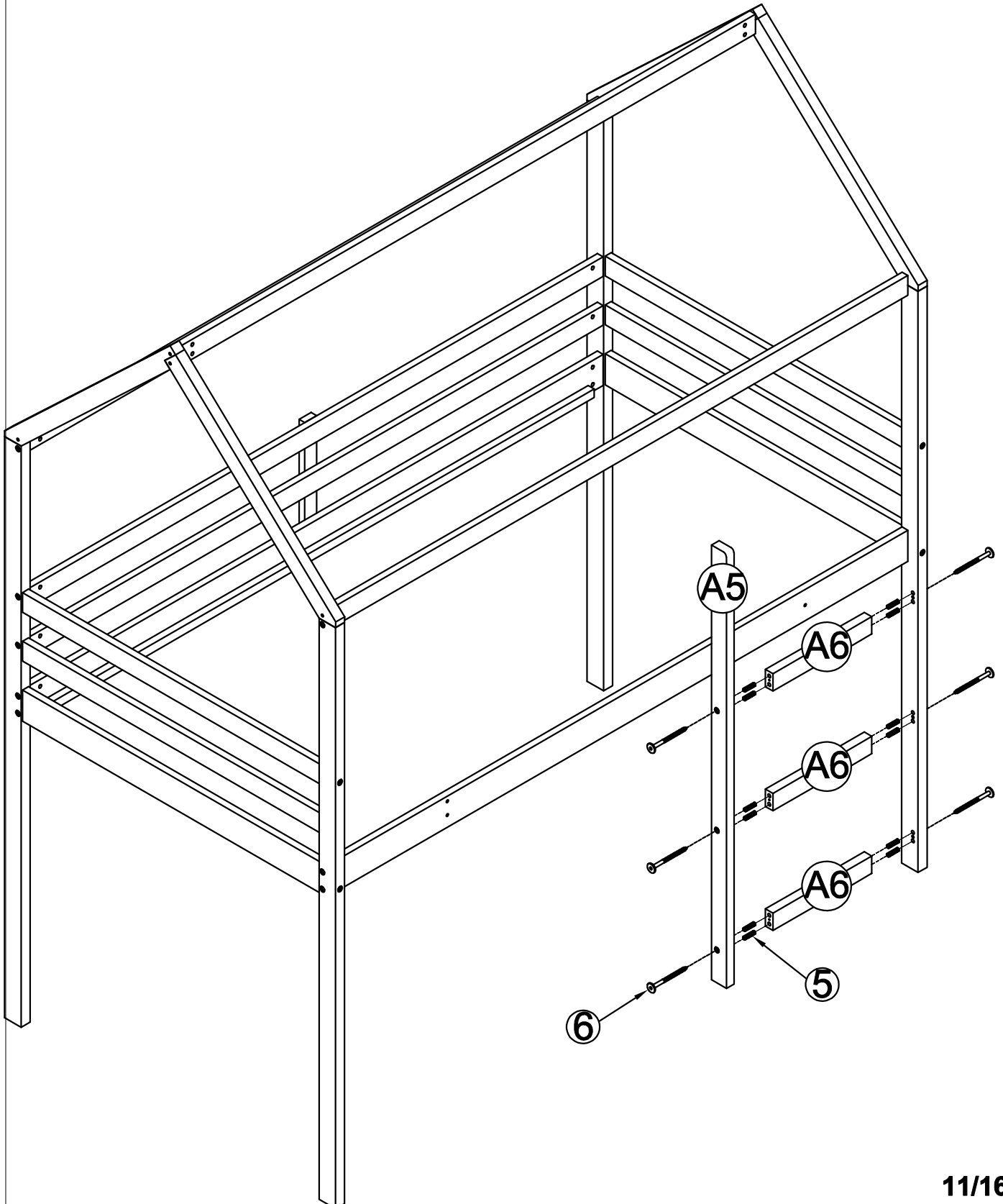
3	4
	
4pcs	4pcs



STEP 6: Following below illustration:.

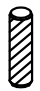


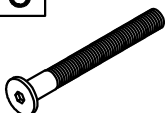

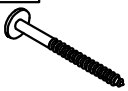
-Using hardware #6 and Dowel 5 connect Frame(Completed 5) With A5 Legs and A6(x3) Step Stairs

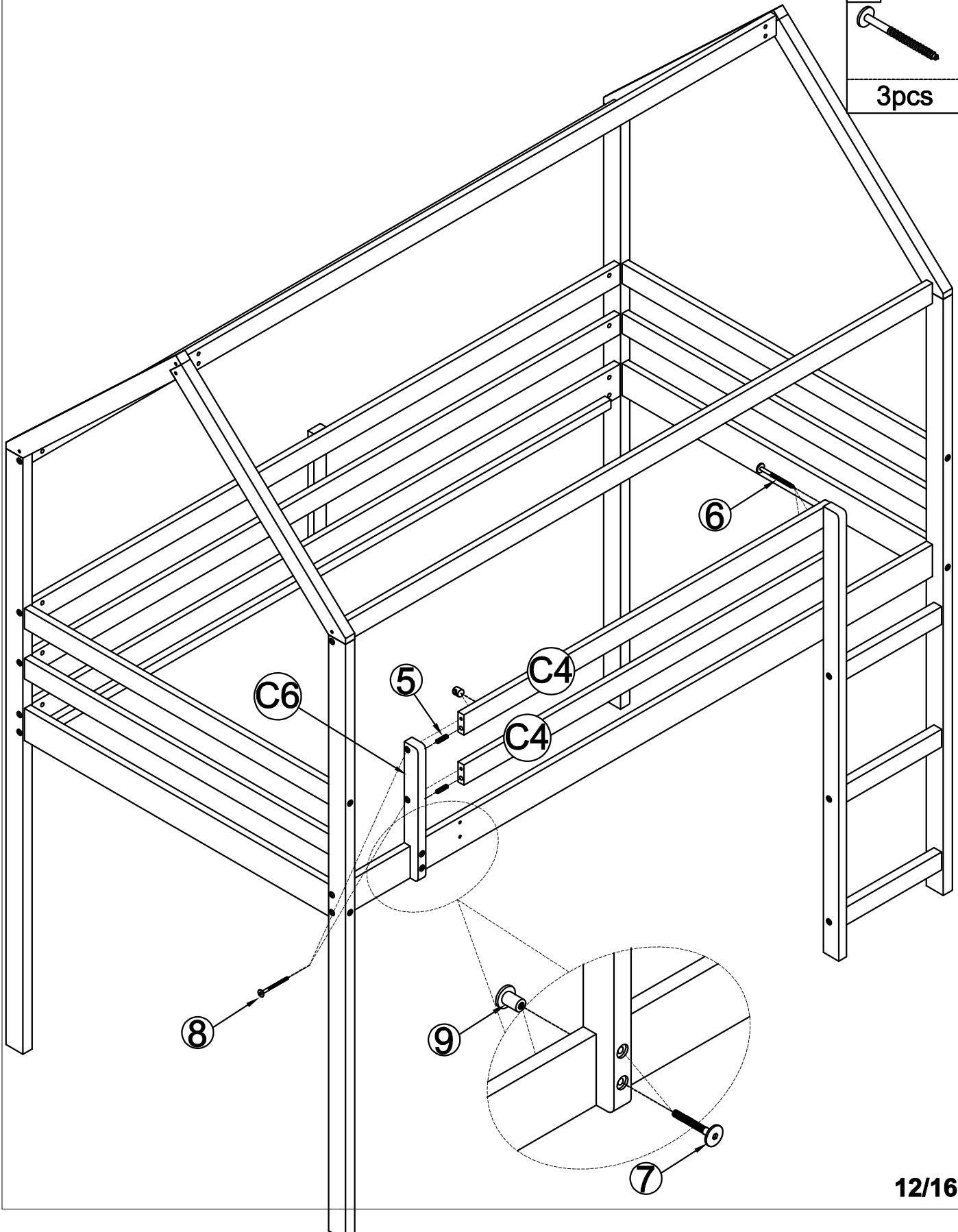
5		6	
	12pcs		6pcs



STEP 7: Following below illustration:.

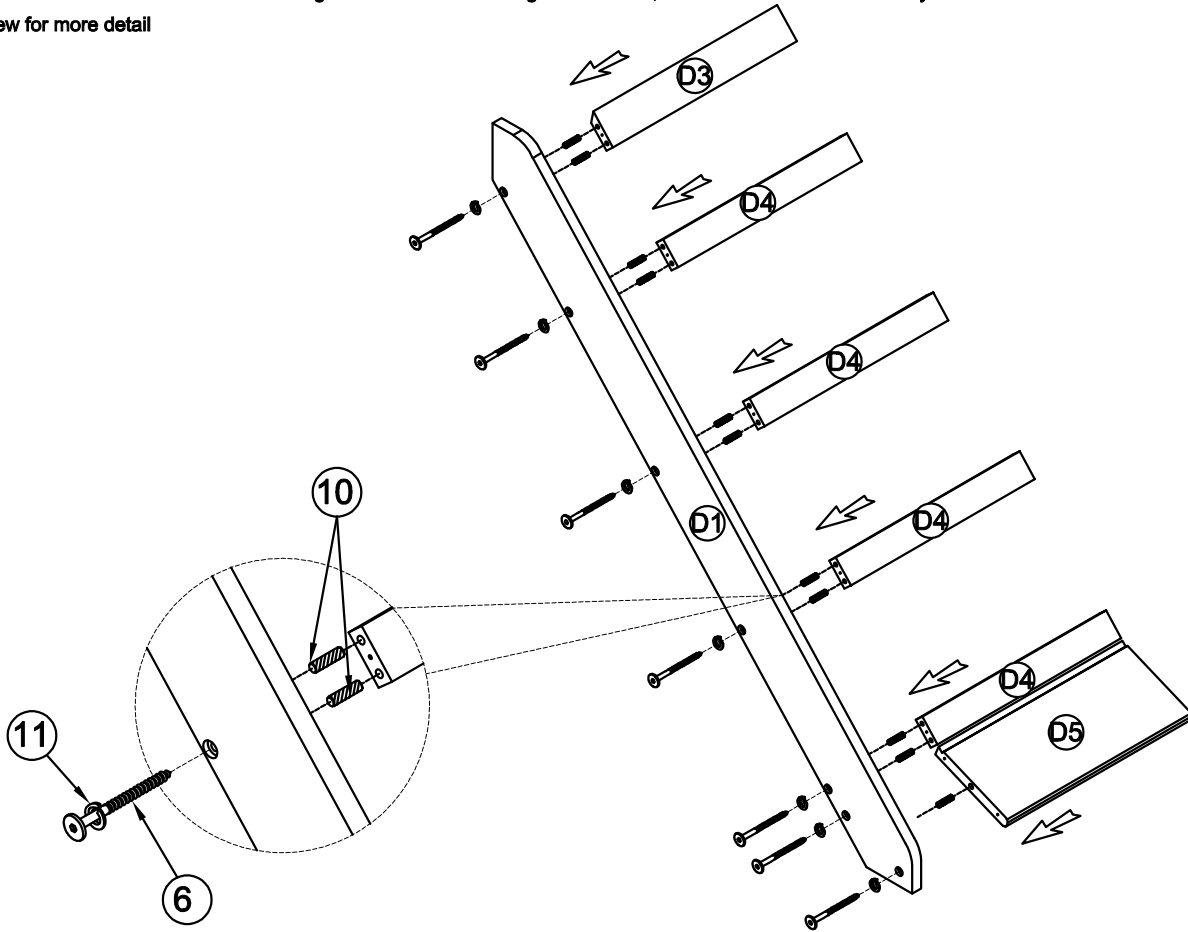
-Using hardware #4,#6,#7,#8,#9 and Dowel 5 connect Frame(Completed 6) With C4(x2) Guardrails and C6 Wood Bar

5		9		7		8		4	
2pcs		2pcs		2pcs		2pcs		2pcs	
								6	
								3pcs	



STEP 8-1

:Following below illustration Using hardware #6,#11 and Dowel 10 to Assembly Slide.Look at detail view for more detail

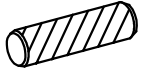


6



7pcs

10



11pcs

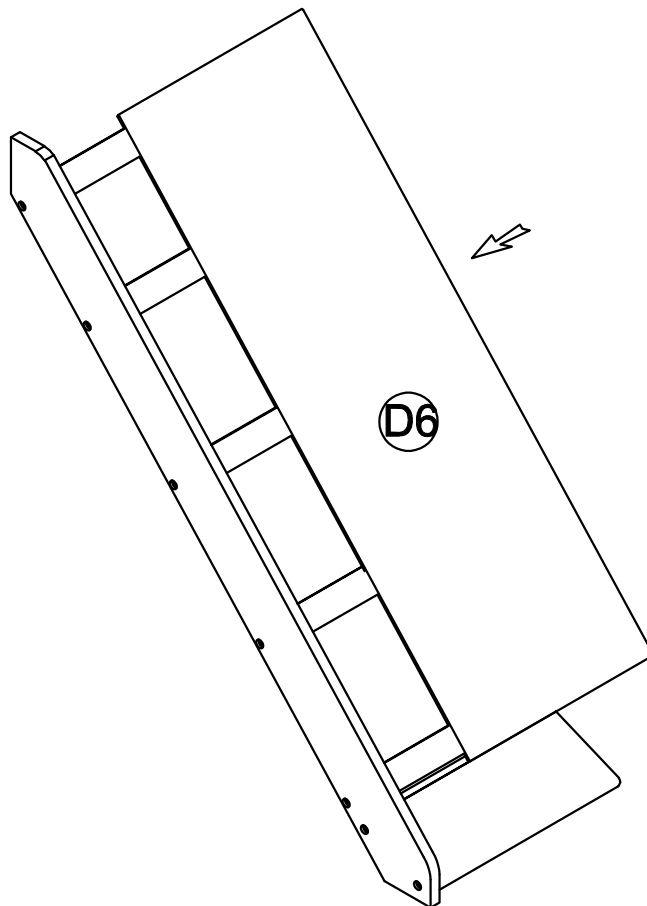
11



7pcs

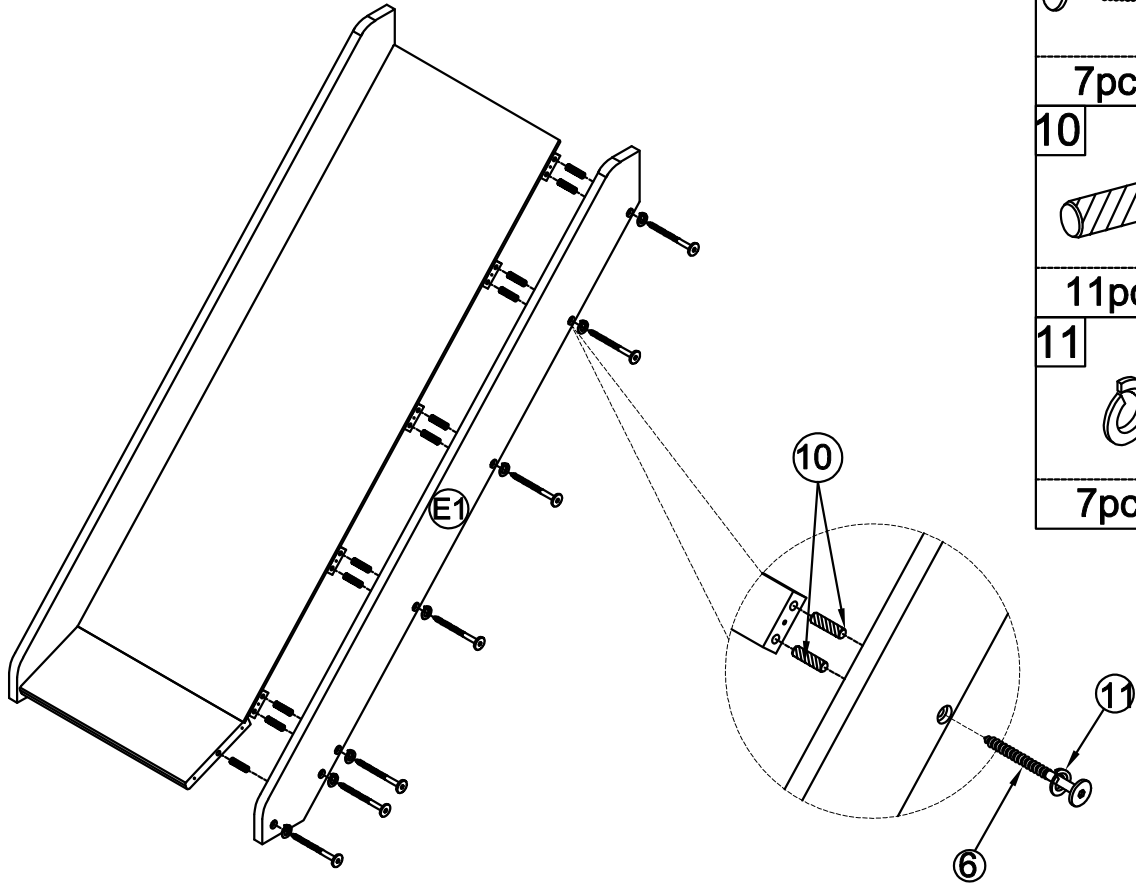
STEP 8-2

:Following below illustration



STEP 8-3

:Following below illustration Using hardware #6,#11 and Dowel 10 to Assembly Slide.Look at detail view for more detail

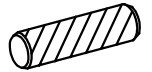


6



7pcs

10



11pcs

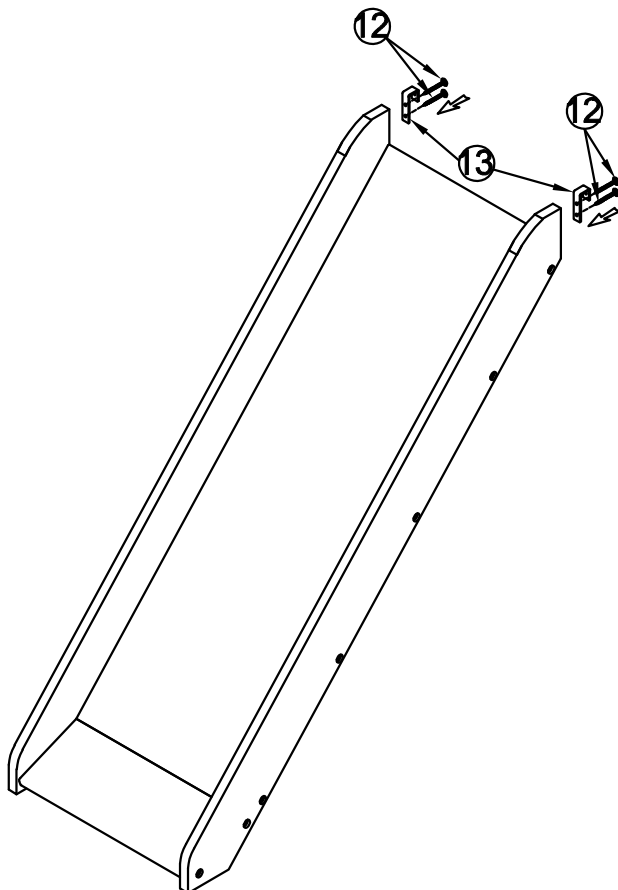
11



7pcs

STEP 8-4

:Following below illustration Using hardware #12,#13 to Assembly Slide.Look at detail view for more detail



12



4pcs

13



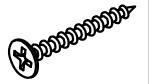
2pcs

STEP 9

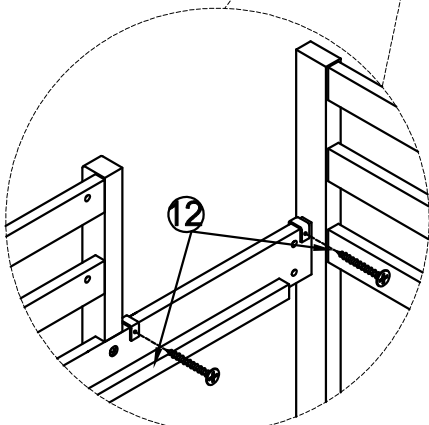
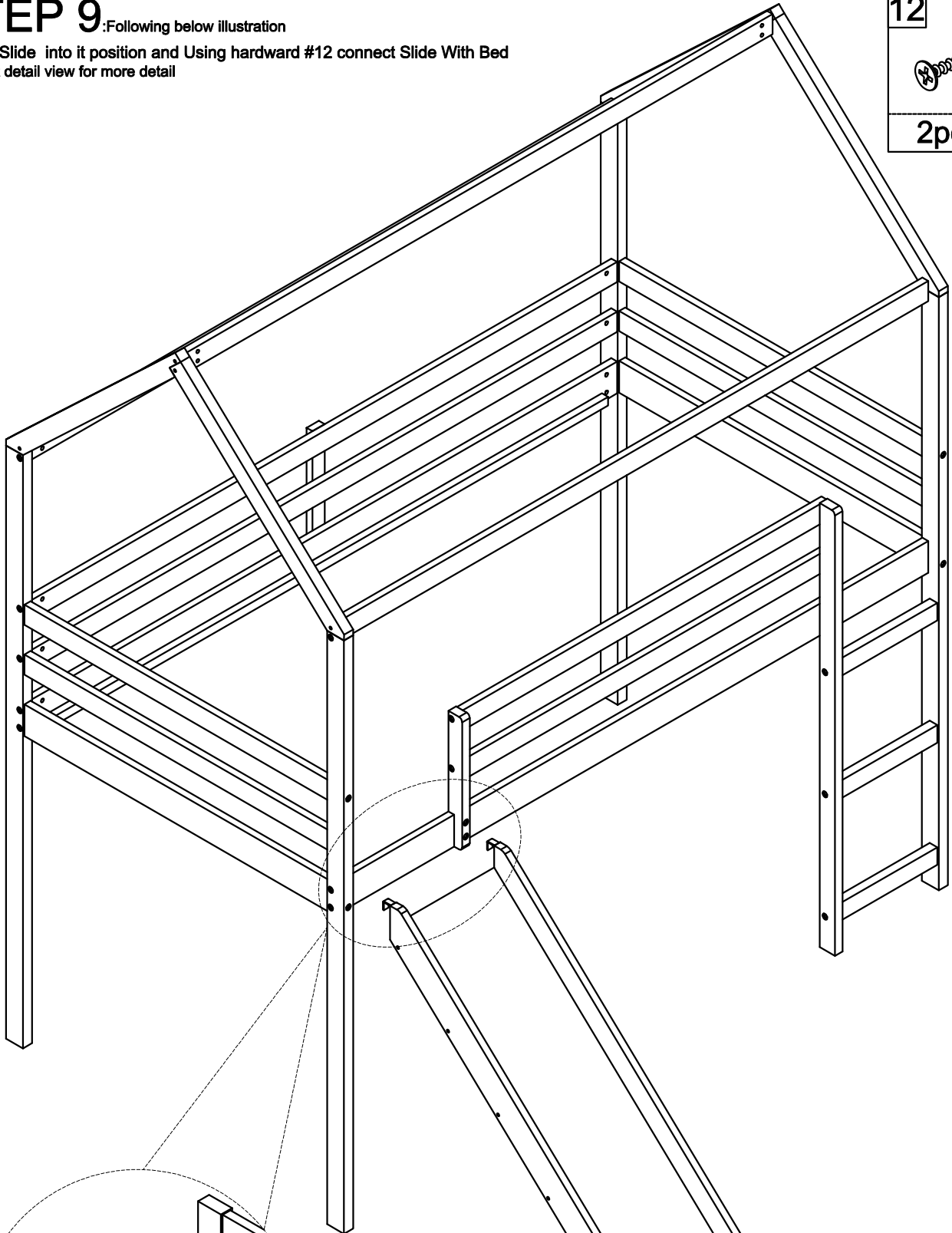
Following below illustration

- Push Slide into its position and Using hardware #12 connect Slide With Bed
- Look at detail view for more detail

12



2pcs




Inside Side Rail View

STEP 10:

Following below illustration:

-Assembly 14 slats (E) using hardware #14.

-Look at detail view

14	
28pcs	

