

INSTALLATION MANUAL

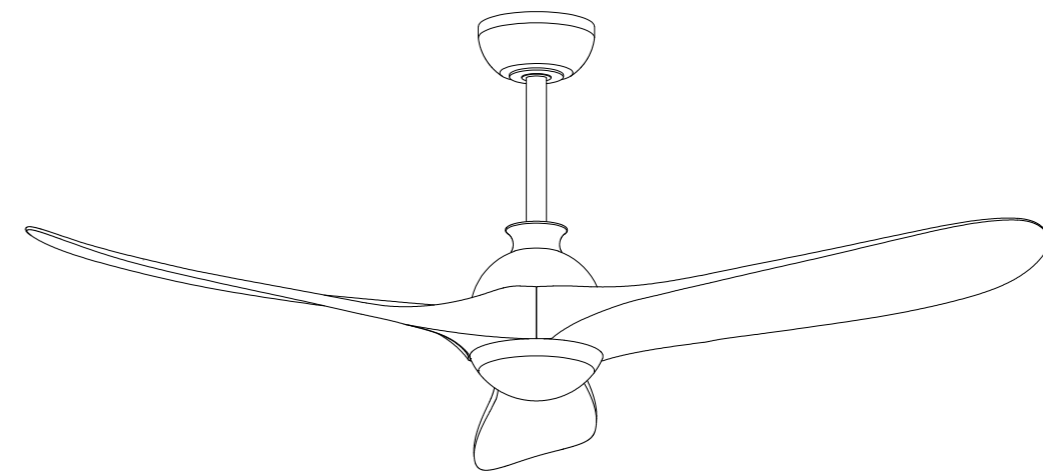
CEILING FAN WITH LIGHT

Model No.: CFL-1192-01



APP Control Applicable

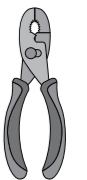
Thank you for choosing and using our product.



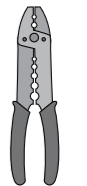
TOOLS REQUIRED



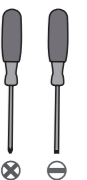
Ladder



Pliers

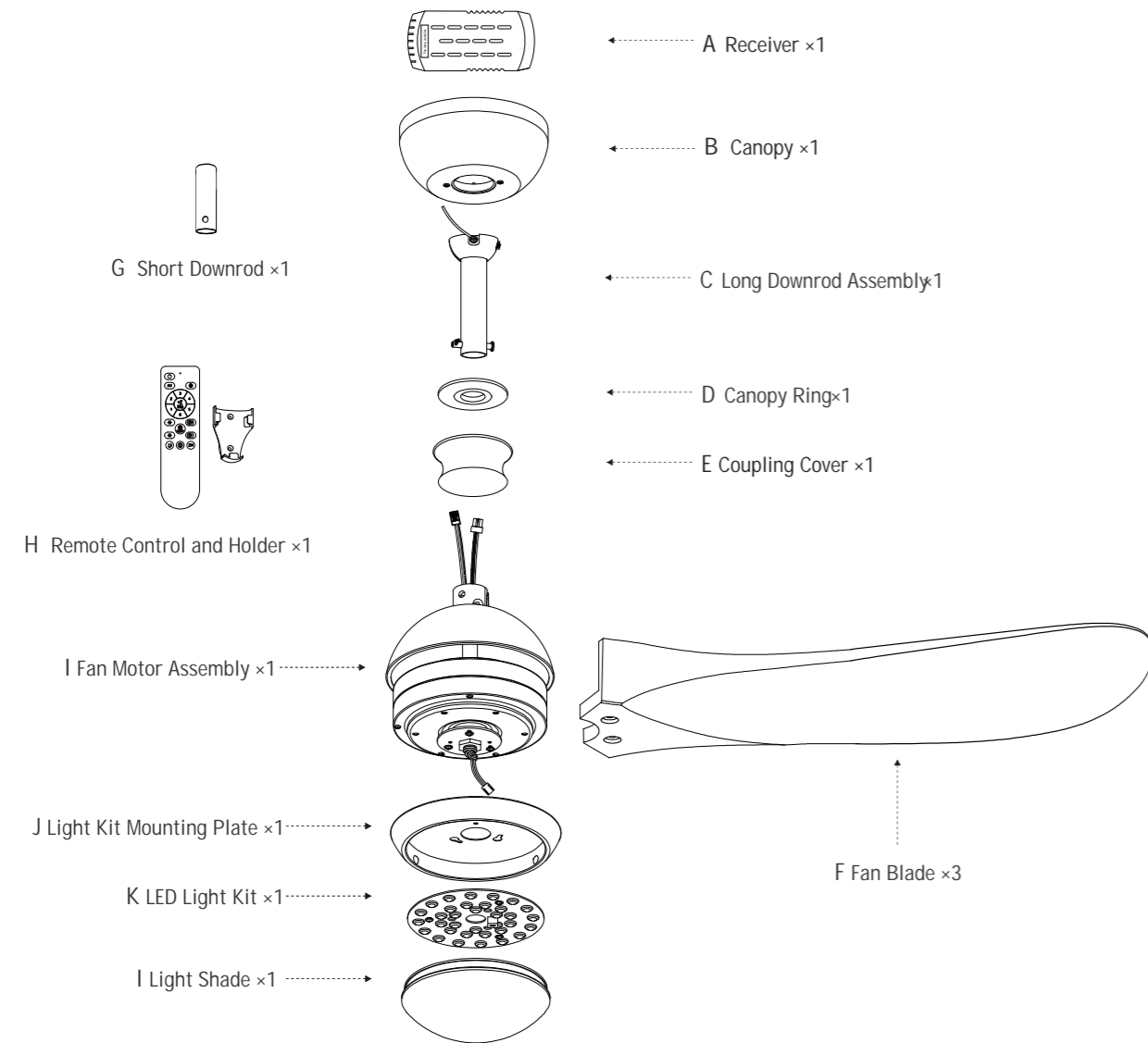


Wire
Strippers

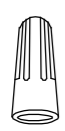


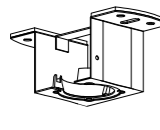

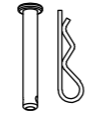


Screwdrivers

PACKING LIST



INSTALLATION KIT

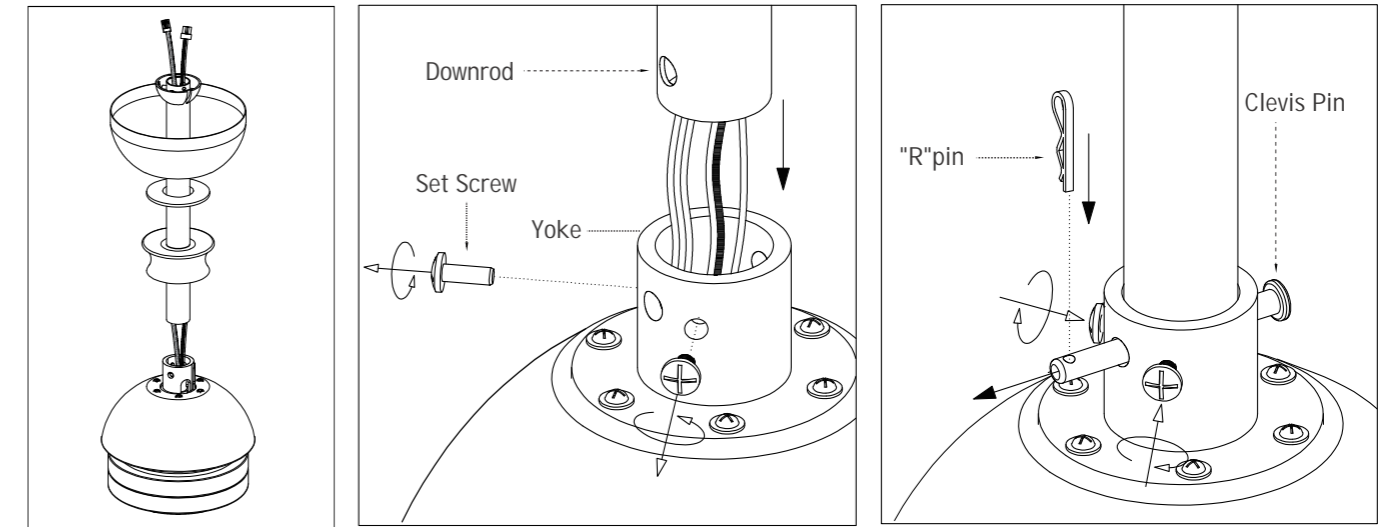
AA	 Wire Nut	3×	BB	 Outlet Box Screw With Washer	2×	CC	 Gloves	1×
DD	 Mounting Bracket	1×	EE	 Fan Blade Screw	6×	FF	 Clevis Pin & "R" Pin	1 ×

- NOTE:**
1. Some extra hardware may be included. The quantity listed above is the number required for installation.
 2. Parts "DD, FF" have already been installed with Canopy and Long Downrod Assembly. They need to be disassembled before installation.

INSTALLATION

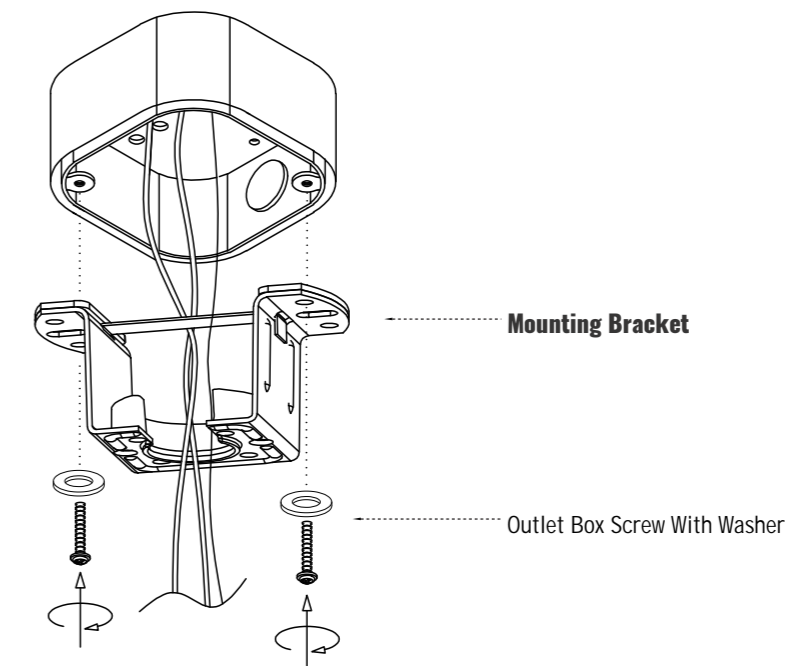
1. Assembling the Fan

- Step 1. Assemble the Canopy, Canopy Ring and Coupling Cover, route wires from the fan through the downrod.
- Step 2. Loosen the set screw from the yoke but do not take off, align the holes at the bottom of the downrod with those in the yoke.
- Step 3. Carefully insert the clevis pin (FF) through the holes in the yoke and downrod (Be careful not to jam the clevis pin against the wires inside the downrod).
- Step 4. Insert the "R" pin (FF) into the end of the clevis pin.
- Step 5. Tighten the set screw on the yoke to secure the downrod.



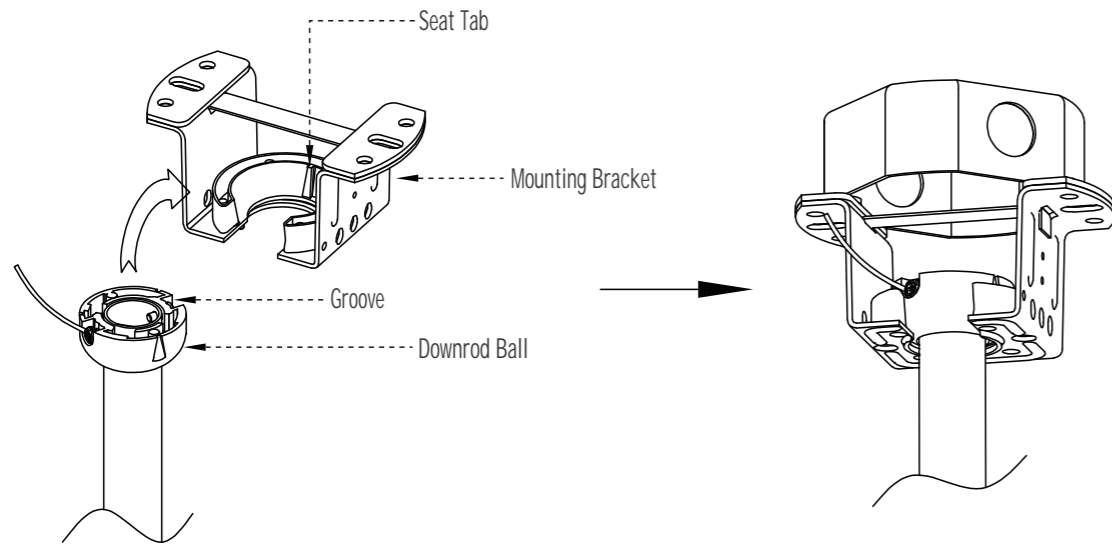
2. Installing the Mounting Bracket

- Step 1. Take off the screws from outlet box.
- Step 2. Secure the Mounting Bracket (DD) onto the outlet box with screws taken off or Outlet Box Screw With Washer (BB) provided.



3. Hanging the Fan

Step 1. Lift the downrod into the Mounting Bracket (DD). Rotate the downrod until the seat tab in the mounting bracket is seated in the groove in the downrod ball.

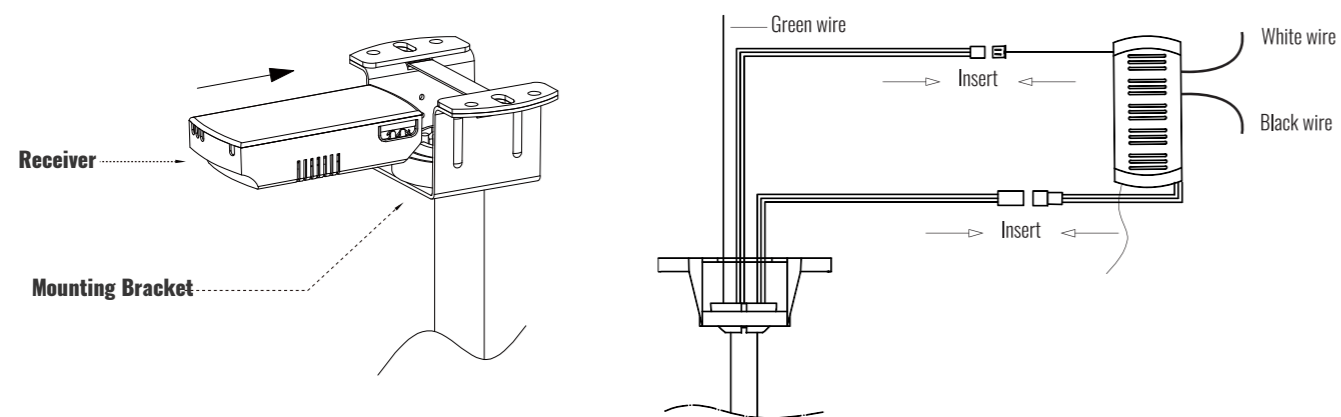


4. Wiring

Step 1. Insert the receiver to the mounting bracket

Step 2. Connect the wires from the fixture to the house supply wires with wire nuts (AA), ground wire (green, green/yellow, or bare copper) to ground wire, neutral wire (white or blue) to neutral wire, and hot wire (black or brown) to the hot wire.

Step 3. Wrap the connection with electrical tape.



Note:

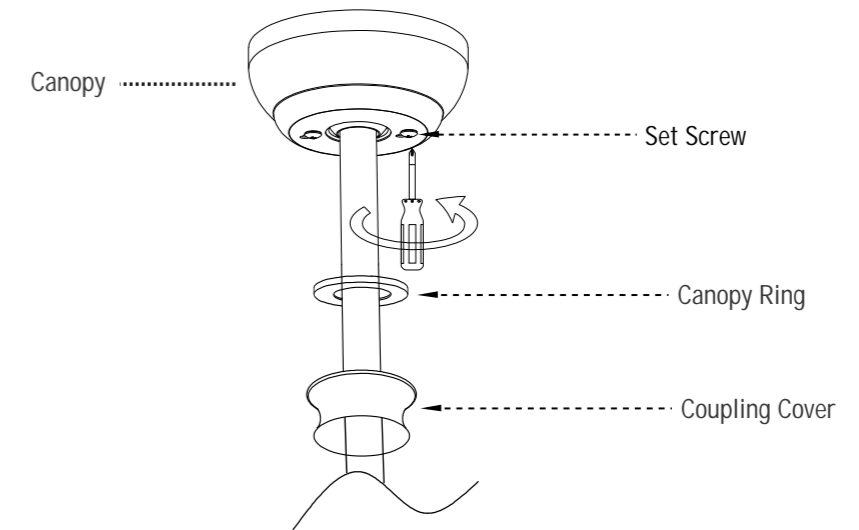
- ① This fan only needs one set of input wires (black, white, and ground wire). Both of the fan and lights will be controlled by the remote control.
- ② This fan can only be connected to an on/off switch, not other dimmer switch.

5. Attaching the Canopy

Step 1. Slide the canopy up to the ceiling and attach it to the mounting bracket with the set screws.

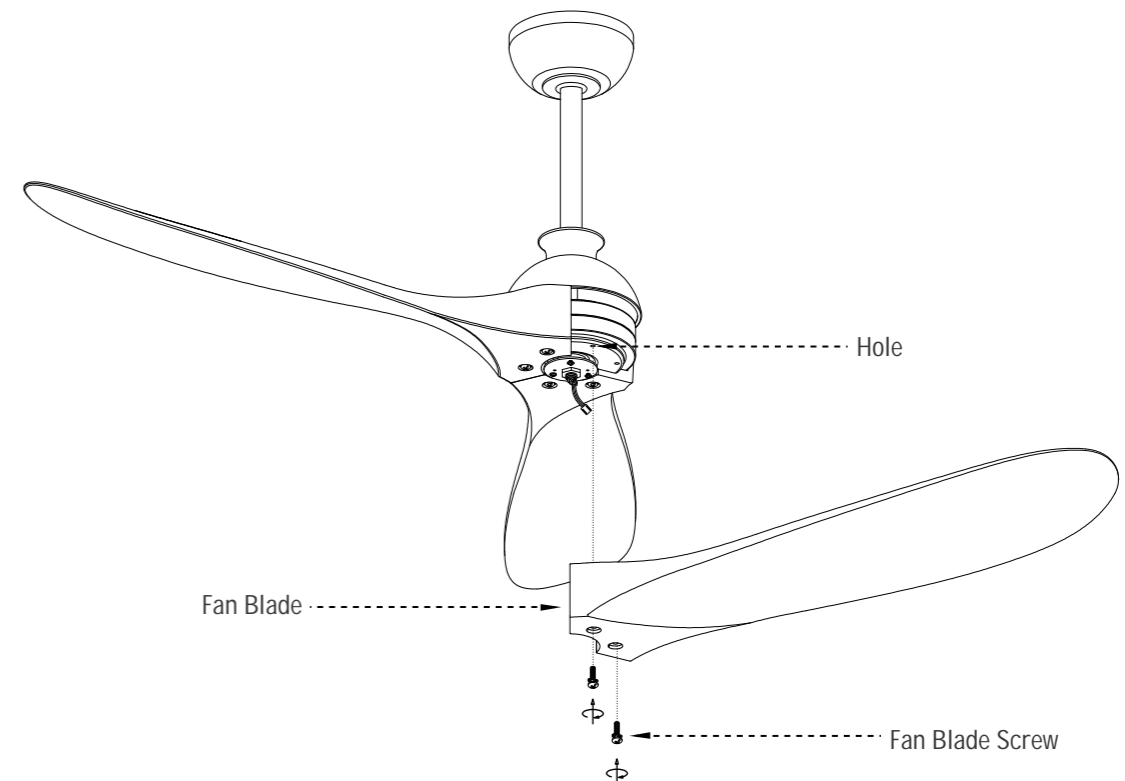
Step 2. Slide the canopy ring up to the canopy.

Step 3. Slide the coupling cover downward to cover the yoke.



6. Installing the Fan Blade

Step 1. Align the fan blades with the mounting holes and secure with the fan blade screws (EE).

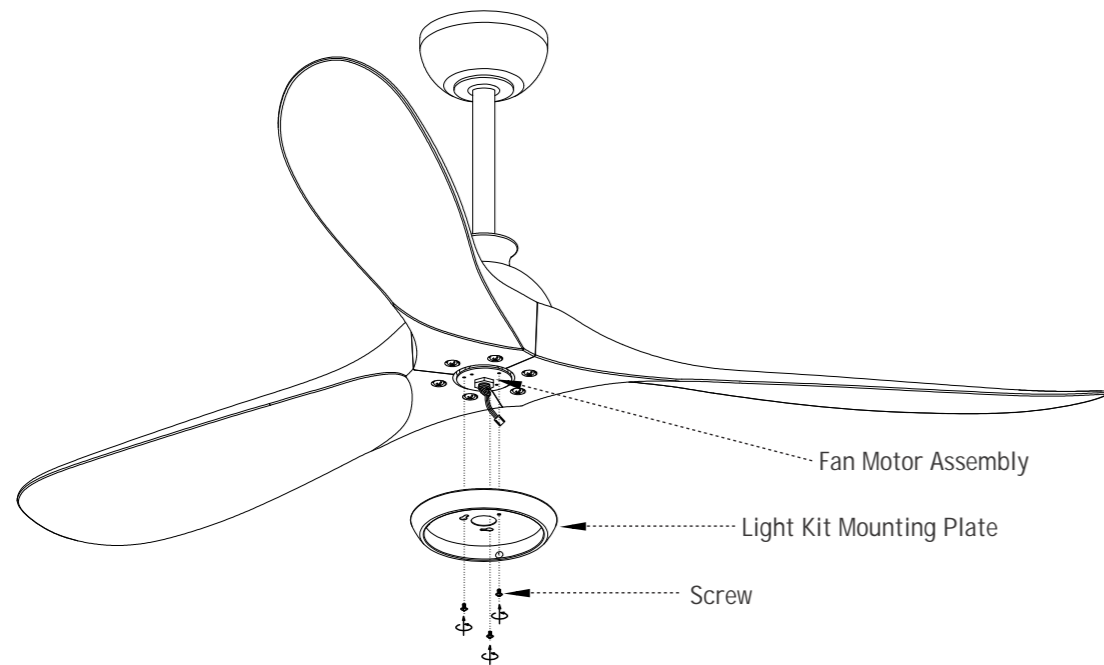


Note: Make sure to assemble the blades in sequence and fasten the screws with equal force.

7. Install the Light Kit Mounting Plate

Step 1. Loosen the screws on the fan motor assembly.

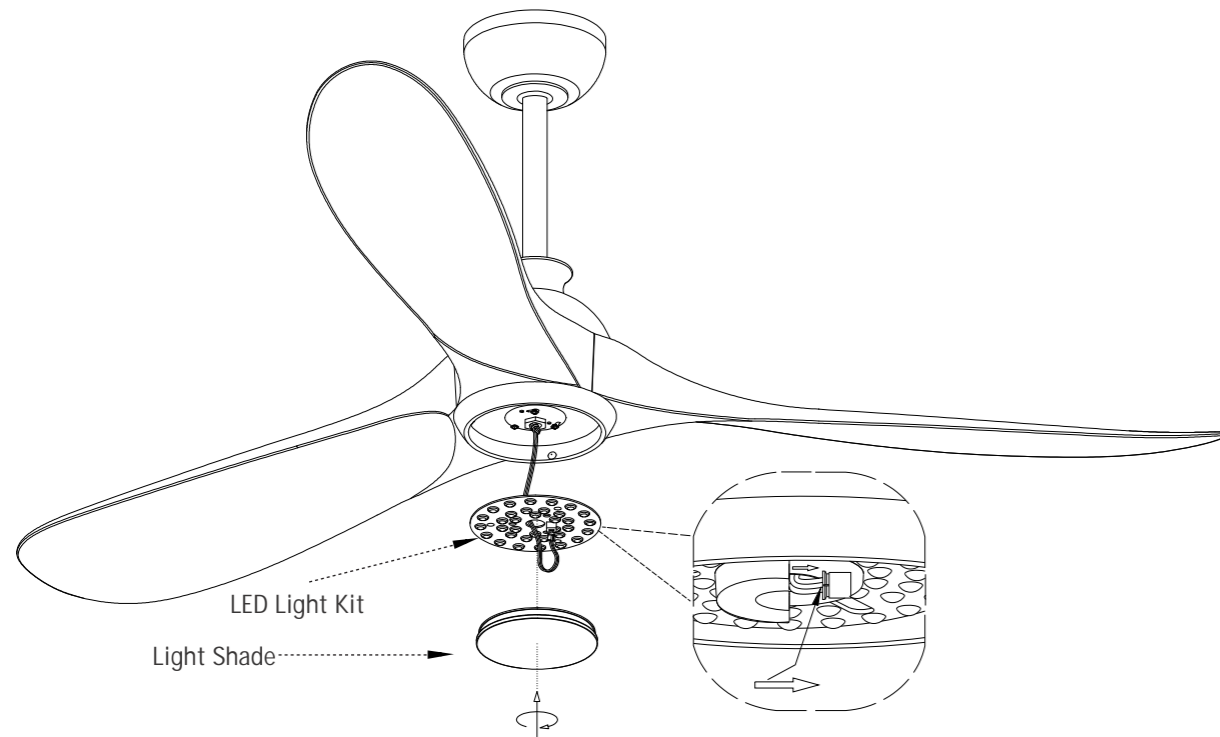
Step 2. Fix the light kit mounting plate on the fan motor assembly with screws taken off.



8. Install the Light Shade

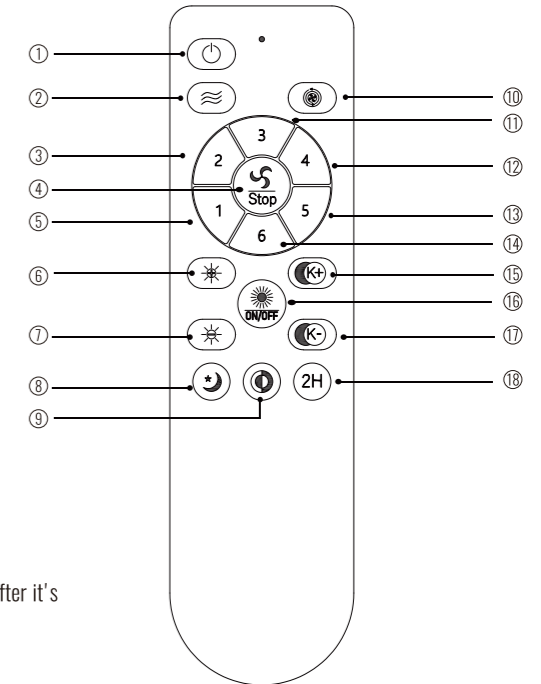
Step 1. Connect the wire terminal to the interface on the LED Light Kit.

Step 2. Rotate the light shade clockwise to secure it to the Light Kit Mounting Plate.



REMOTE CONTROL INSTRUCTIONS

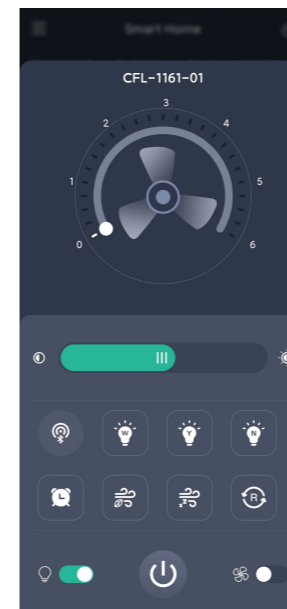
- ① : Turn off power.
- ② : Natural wind, fan speed will change automatically with this function.
- ③ ⑤ ⑪ ⑫ ⑬ ⑭ : Turn on the fan on 1/2/3/4/5/6 speed.
- ④ : Turn off the fan.
- ⑩ : Fan moves forwards or reversely.
- ⑥ ⑦ : Adjust the brightness of the light.
- ⑮ ⑰ : Adjust the light color temperature.
- ⑯ : Turn on / off the light.
- ⑧ : Night mode, dim the lights.
- ⑨ : Quick switch of the light color: warm white→cool white→daylight white.
- ⑱ : 2H for timing the fan.



REMOTE SIGNAL PAIRING:

If the remote control loses signal of the fan, press and hold the button ⑯ at the very beginning after it's turned on from wall switch. After the fan light flashes or beeps, it's done.

APP CONTROL INSTRUCTIONS



Install the "FanLamp Pro" app from Google Play, Apple App Store, or other app stores by scanning the QR code or searching for the app name. Ensure that your phone is connected to the internet and Bluetooth enabled.

	Pairing: Click the Pair button within 5 seconds after turning on the fan from the wall switch. Once the fan flashes or beeps, it has been successfully paired with your phone and can now be controlled through the app.
	Slide the slider to change the fan speed
	Slide to adjust the brightness of the light
	Quickly change color temperature: " White, Yellow, Natural "
	Switch to night light mode
	Fan forward & Fan reverse
	Guiding style (not supported by this product)
	Timer
	Sleeping wind (Not applicable on this fan)
	Natural wind: Simulate natural wind and automatically adjust the wind speed
	Turn on/off the light
	Turn on/off the fan

NOTE:

Install the "FanLamp Pro" app from Google Play, Apple App Store, or other app stores by scanning the QR code or searching for the app name. Ensure that your phone is connected to the internet and Bluetooth enabled.