

Accent Chair

ASSEMBLY
INSTRUCTION



Dear customer, Thank you very much for buying our items. Please read the assembly instruction carefully before assembly.

Notices:

- Verify that all parts are present and in good condition before assembly.
- Put the chair on a clean flat surface.
- Please tighten the screws to about 80% for the first step; Then, sit with caution on the chair to adjust the balance; Finally, tighten all the screws to 100%.
- If you find that is unlevel after assembly, you can use adjustable pegs to keep four legs level.

Contact us

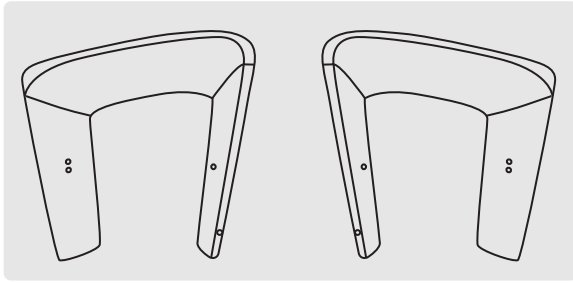
If there are installation problems, damage, missing parts, or any questions and concerns, please contact the shop where you bought it so we can make things right.

If the product is damaged, please send the following information:

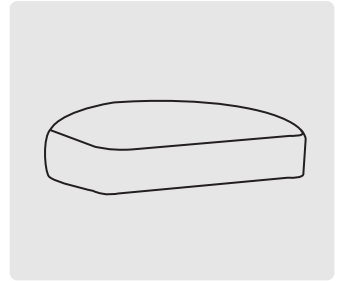
- Photos that show the reason for your claim/damage.
- Photos of the packaging (inside and outside).

Thank you very much for your support!

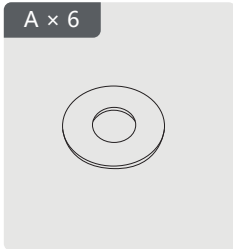
Package Contents



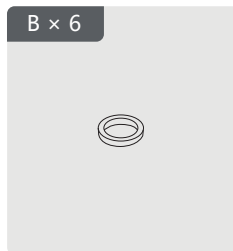
Legs



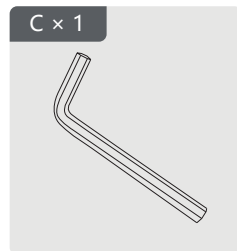
Cushion



Flat Washer



Lock Washer



Allen key



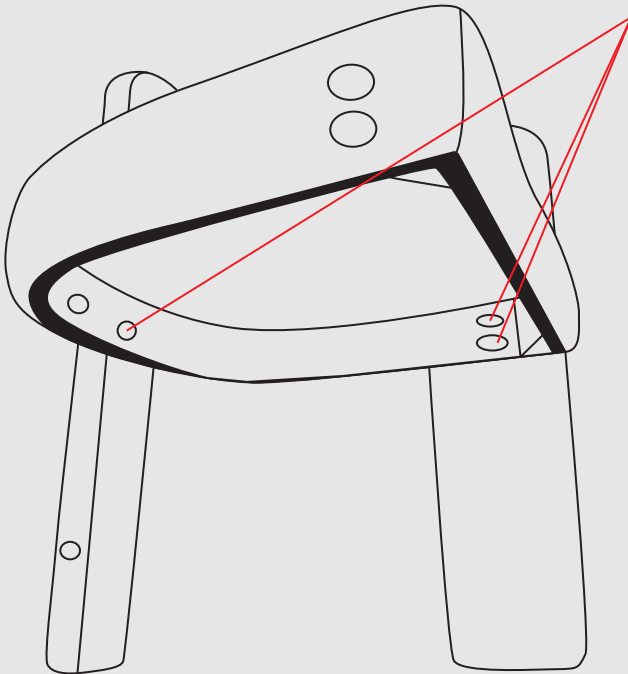
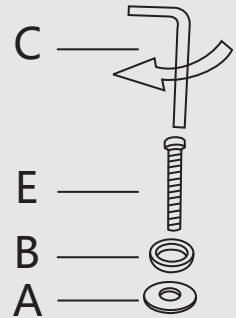
M8x40mm
Screws



M8x70mm
Screws

Step by Step Guide

1

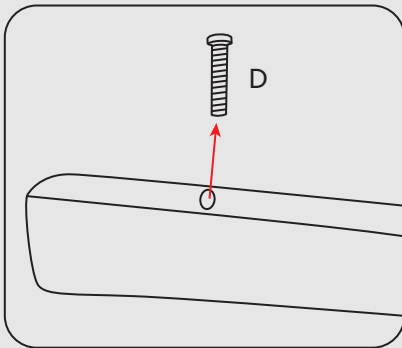
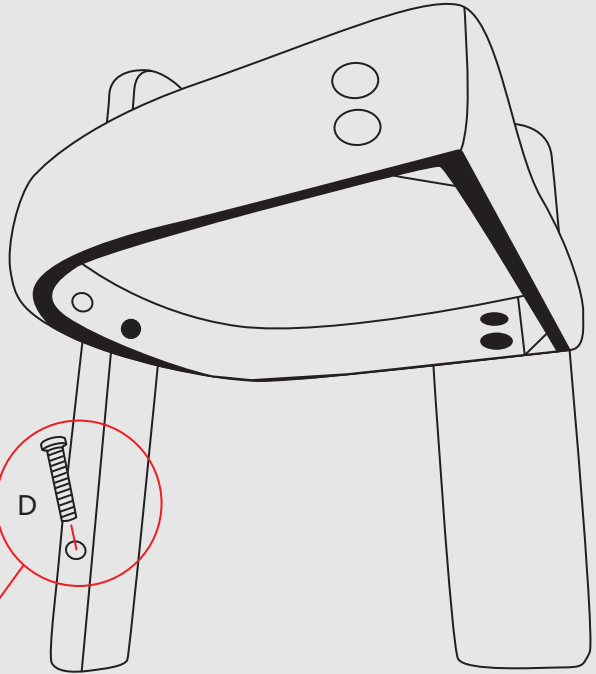


Align the 3 holes on the one side of the cushion with the screw holes on the legs by screw (E) with washer(#A、 B)

Just tighten them up to 60%-80%

Step by Step Guide

2

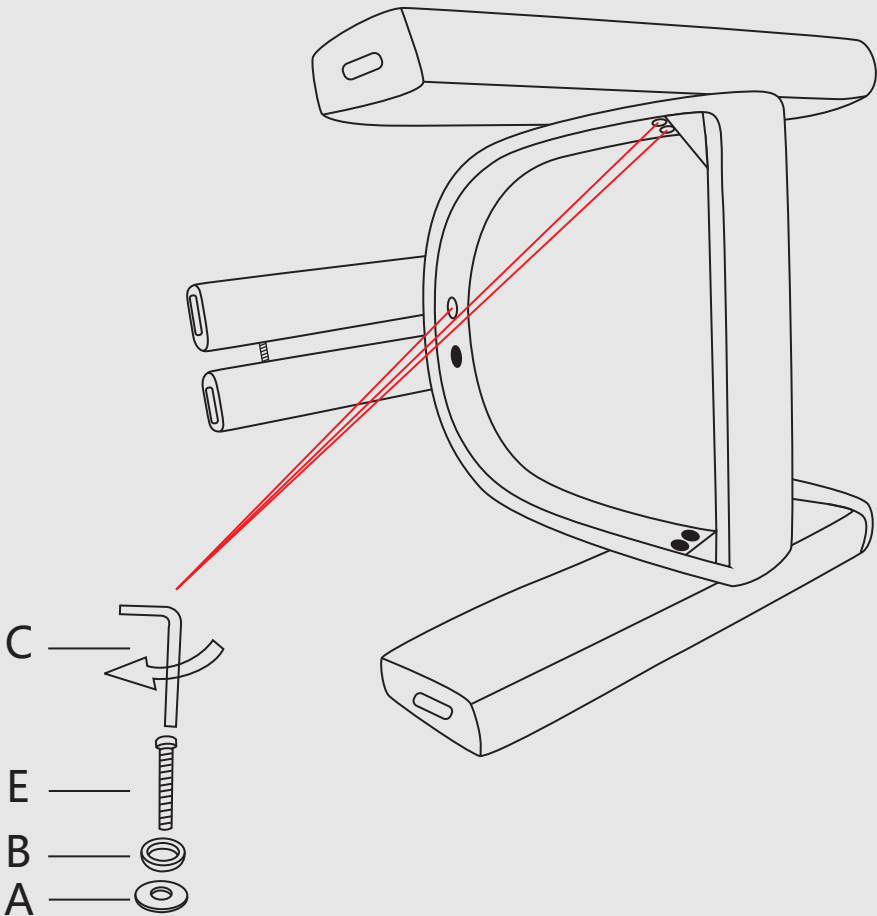


**Only need
screw halfway in**

Screw a screw (D) into the middle of the two legs to hold them in place so that won't split.

Step by Step Guide

3

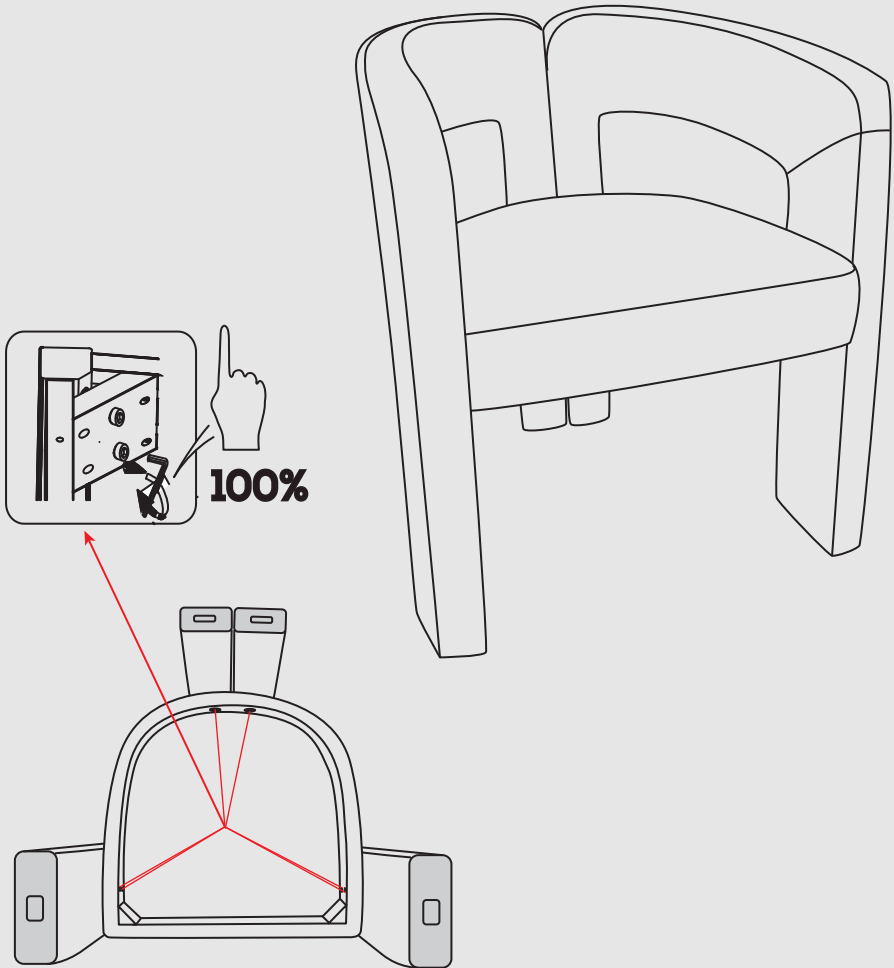


Align the 3 holes on the other side of the cushion with the screw holes on the legs by screw (E) with washer(#A、 B)

Just tighten them up to 60%-80%

Step by Step Guide

4



Please put a heavy object or one adult sit on and pressure the chair legs for leveling.

Once All legs are leveled, tighten all screws 100%