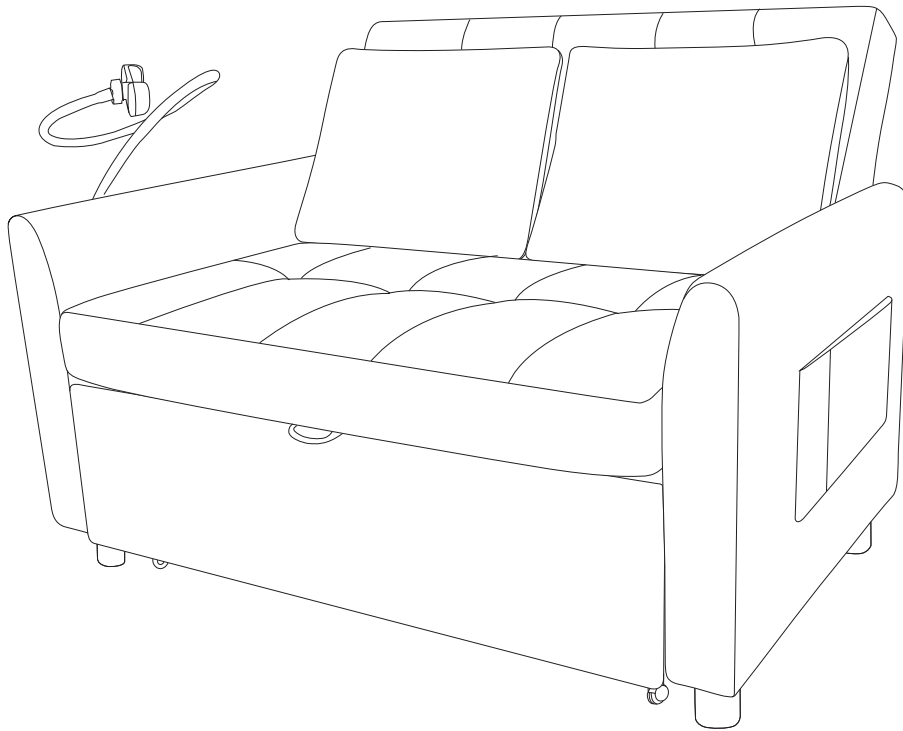


Assembly Manual

SOFA



Please read this manual carefully before any operation and keep it properly for future use.
If any problems on our product, please feel free to Contact us



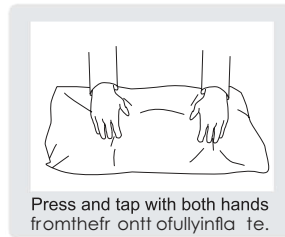
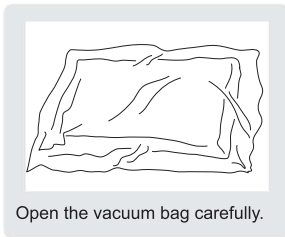
Safety and Care Advice

Important – Please read these instructions fully before starting assembly

Thank you for your purchase. Before assembling, please follow the instructions to check if all the spare parts and screws are included.

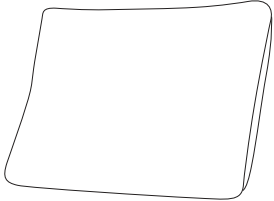
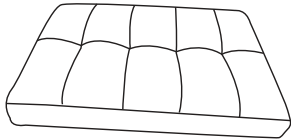
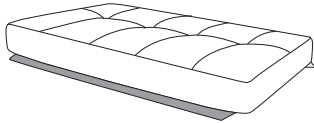
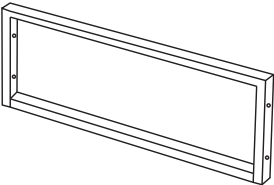
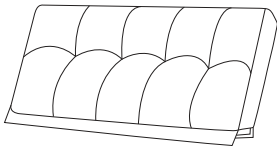
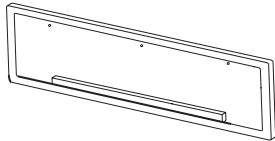
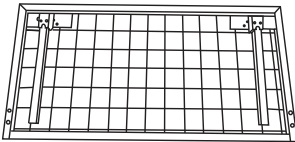
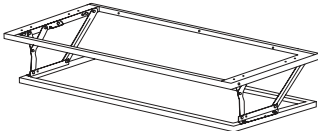
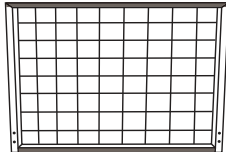

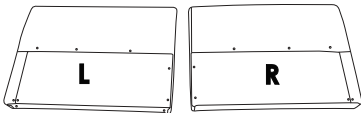

- Considering the size and weight of the sofa, we recommend two adults to assemble the sofa on a carpeted or padded area, in the room that it is intended for. Approximate assembly time: 30 minutes.
- Please do not throw away any of the packaging or the instruction until you have checked all the components and hardware and the furniture is fully assembled. Please ensure that the packaging is disposed in a safe and environmentally friendly way.
- Keep all components and packaging out of reach of children or animals to avoid the risk of choking or suffocation.
- Please do not take off the cover, and do not wash.

Your cushions come vacuum packed and sealed for shipping. To restore the cushion's original shape, follow the steps below.


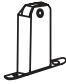













After packing up, place them in some well-ventilated area. After about 72-96 hours, they can be stored to the best condition.

Components List

<p>A Back pillow</p>  <p>x2</p>	<p>B Bed cushion</p>  <p>x1</p>	<p>C Seat cushion</p>  <p>x1</p>
<p>D Back frame</p>  <p>x1</p>	<p>E Back cushion</p>  <p>x1</p>	<p>F Bed front board</p>  <p>x1</p>
<p>G Back steel frame</p>  <p>x1</p>	<p>H Bed steel frame</p>  <p>x1</p>	<p>I Seat steel frame</p>  <p>Note:  Velcro x1</p>
<p>J Armrest</p>  <p>x2</p>	<p>The accessory box of mobile phone holder</p>  <p>① ② ③ ④ ⑤ X</p>	

Components List

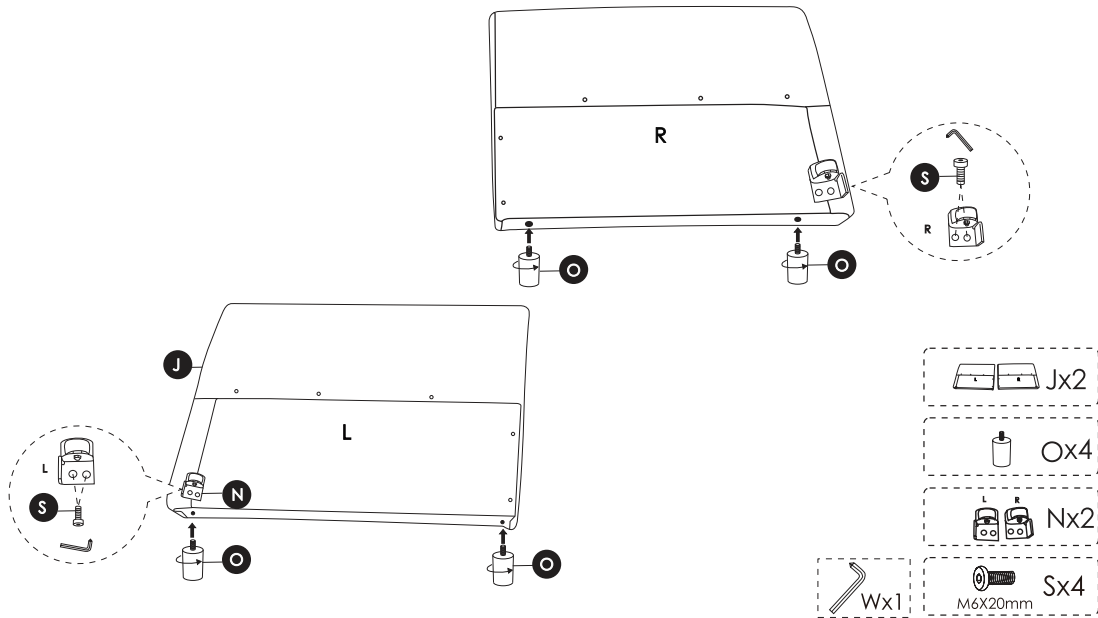
		L R  		M6X40mm 	M6X50mm 
X2	X4	X2	X4	X3+1	X6+1
K	M	N	O	P	Q

M6X20mm 	M6X35mm 	M6X25mm 	M4X25mm 	M6X20mm 	
X12+1	X2	X4+1	X2+1	X8+1	X1
S	T	U	V	Y	W

Assembly Instruction

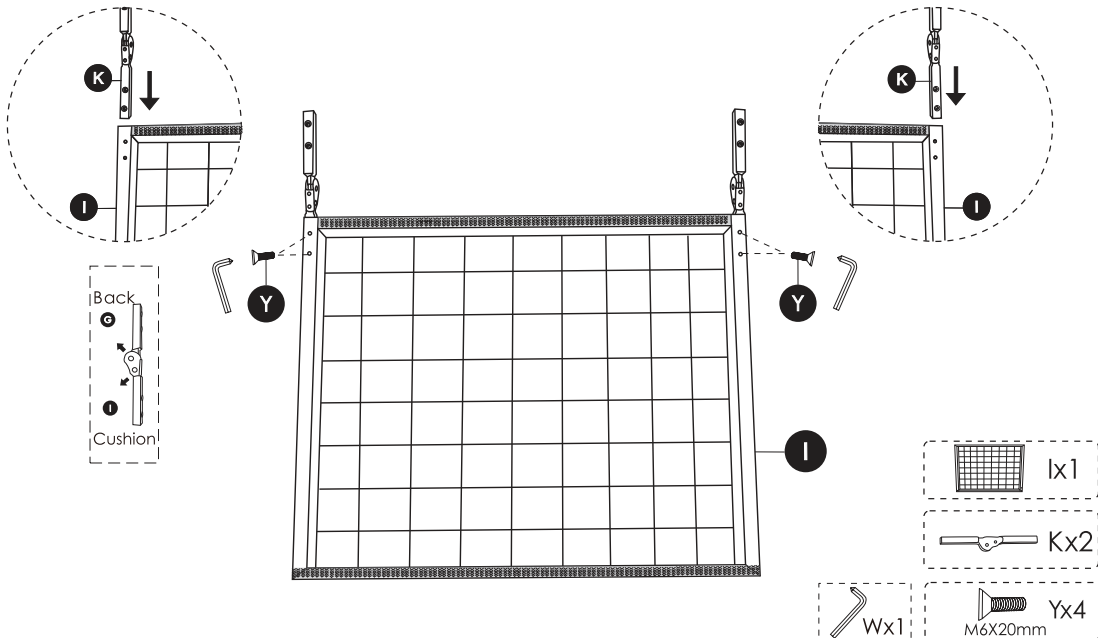
STEP1

Rotate the plastic feet(O) into the armrests(J) and attach the limit-position wheels to the feet using bolts(S) and Allen key(W).



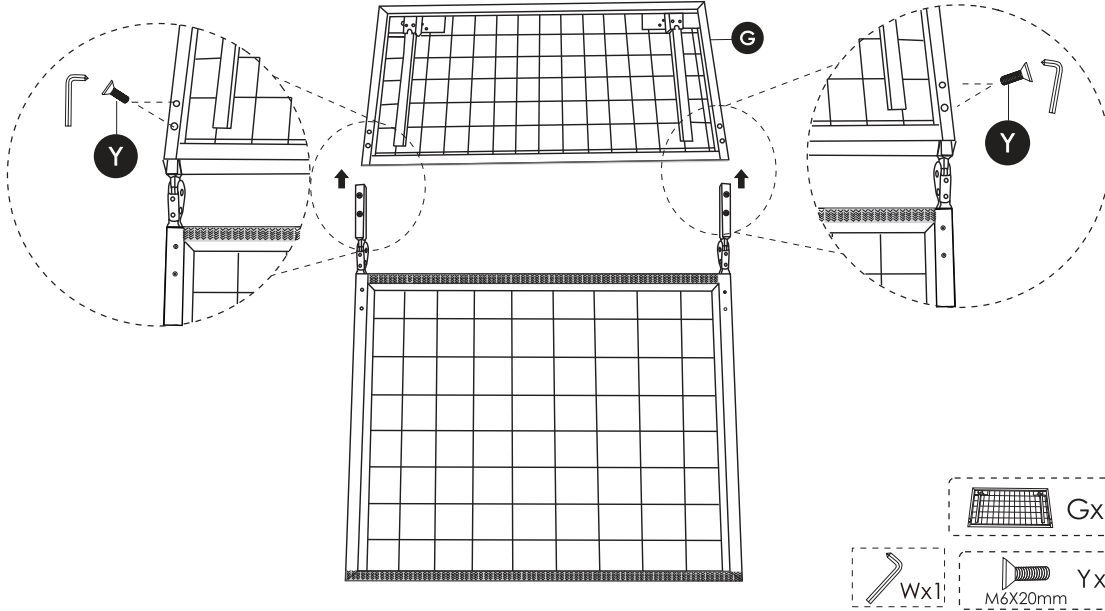
STEP2

Insert hinges(K) into the seat frame(I) then lock them using bolts(Y) and Allen key(W).



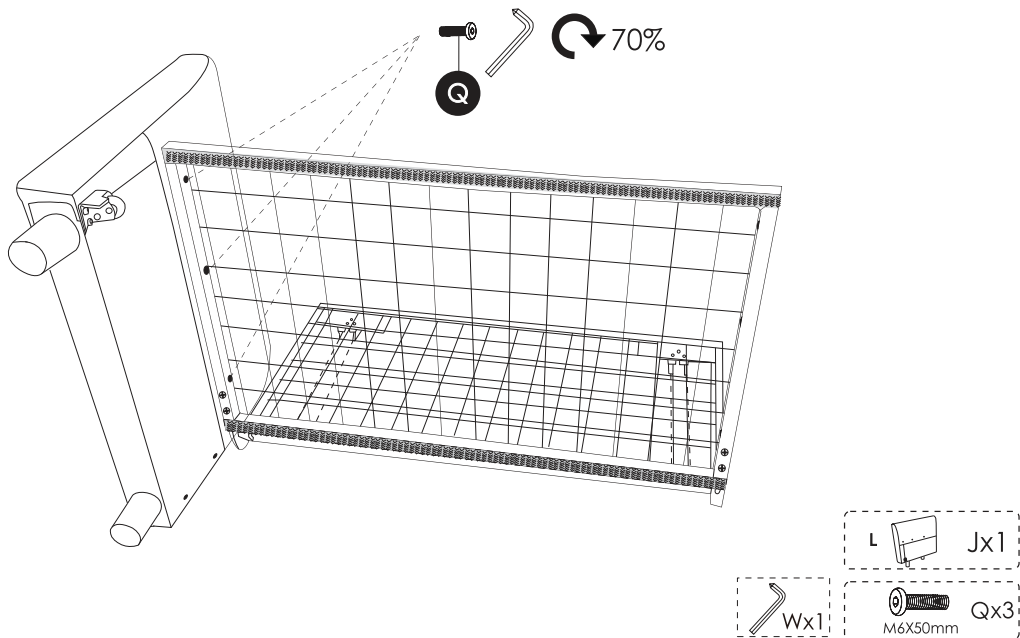
STEP 3

Insert backframe(G) into hinges(K) then lock them using bolts (Y) and Allen key(W).

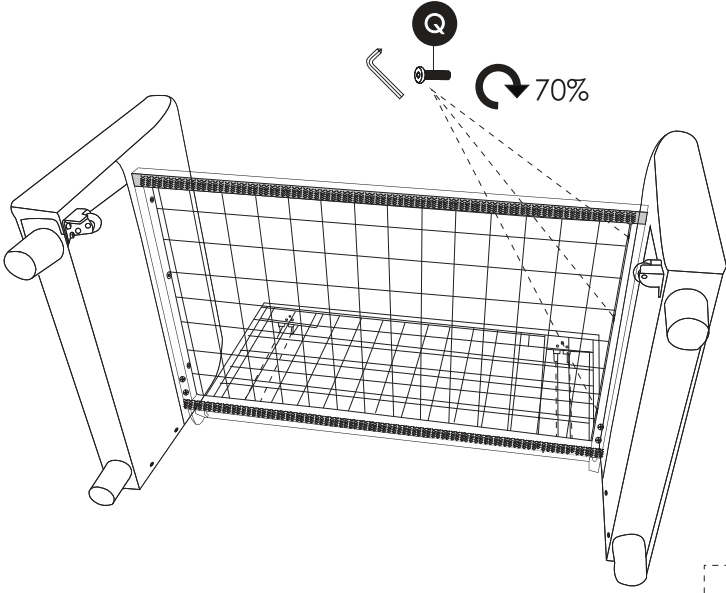


STEP 4

Lay the steel frames and attach left armrest (J) to the frame using bolts (Q) and Allen key (W).

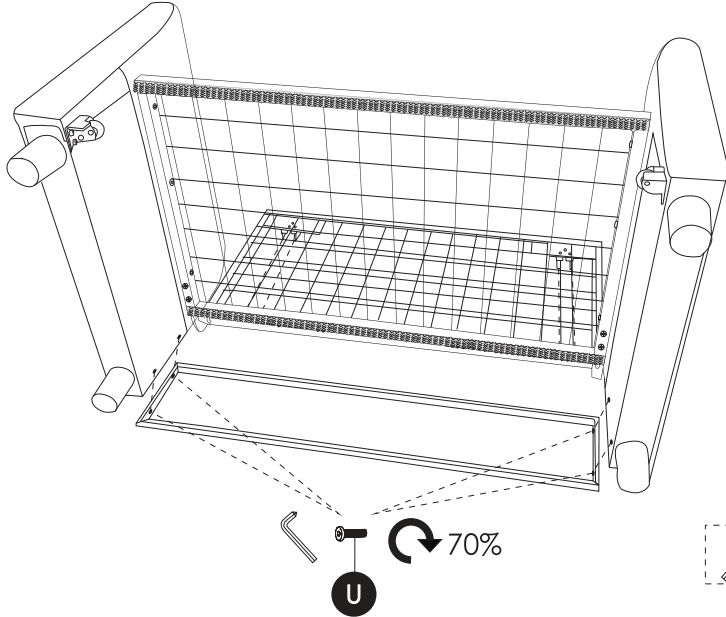


STEP 5 Attach right armrest(R) to the frame using bolts(Q) and Allen key(W).



- R Jx1
- Wx1
- M6X50mm Qx3

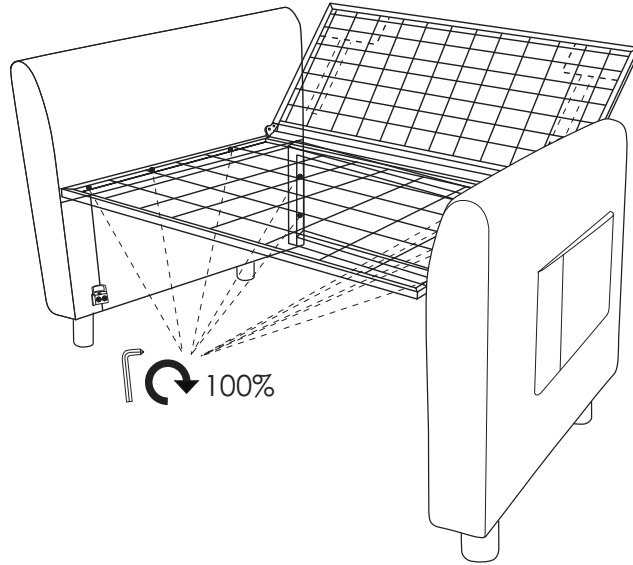
STEP 6 Attach back frame(D) to the armrests through the side hole using bolts(U) and Allen key(W).



- Dx1
- Wx1
- M6X25mm Ux4

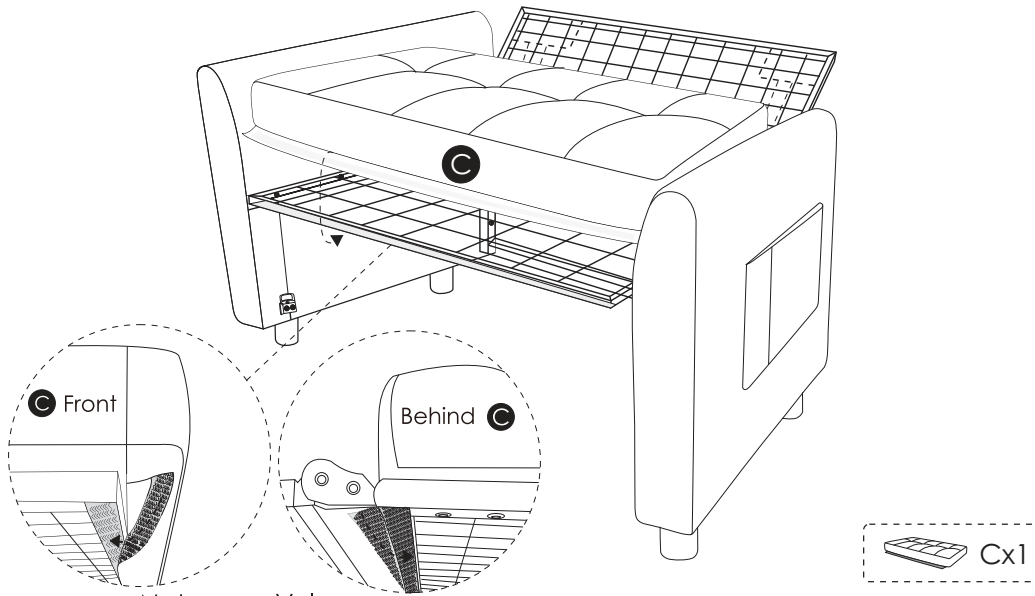
STEP 7

Flip the frame to check if the frame is level, and lock the bolts fully tight.



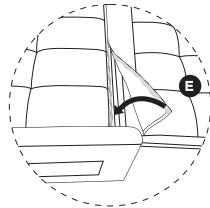
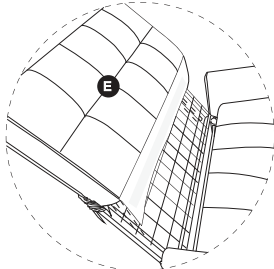
STEP 8

Attach seat cushion(C) to the seat frame and using front and back Velcro to stick them.

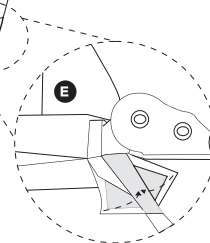
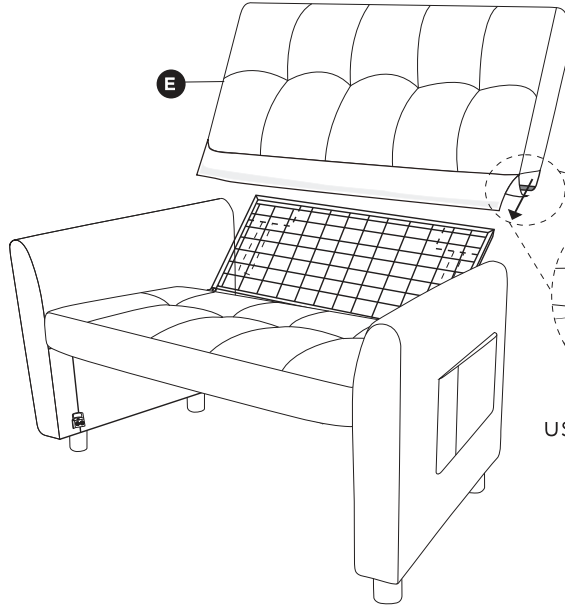


STEP 9

Insert the back cushion(E) to the back frame and using front and back Velcro to stick them.

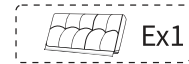


use Velcro to stick



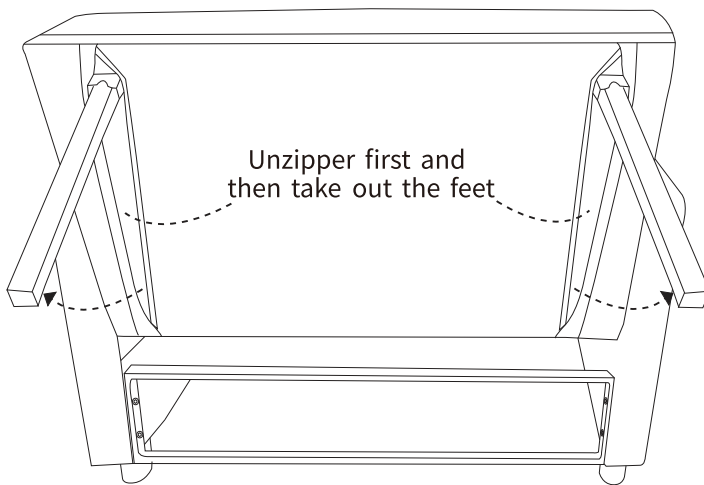
use Velcro to stick

Note: ■ Velcro

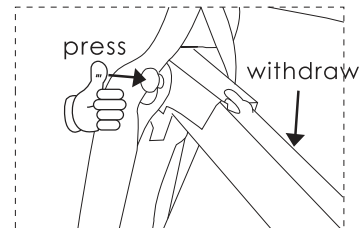


STEP 10

Open the zipper of back cushion and take the hidden legs out. If you want to fold the legs just press the button.

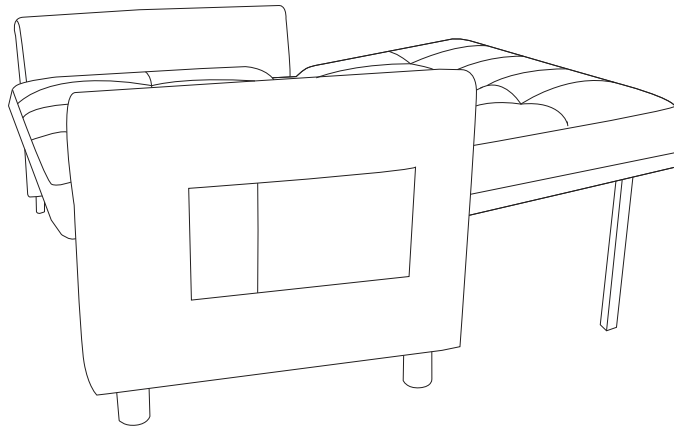


Unzipper first and then take out the feet

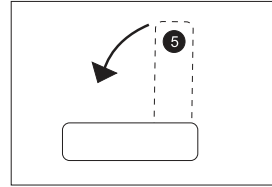


STEP11

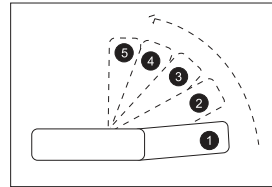
When the legs of back is unfolded, press the back towards the seat cushion, then release it and put it back.



Press forward to unlock

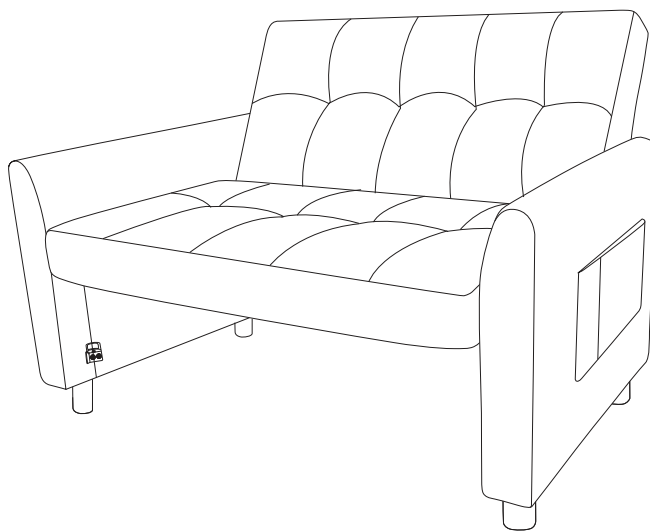


5-position adjustable

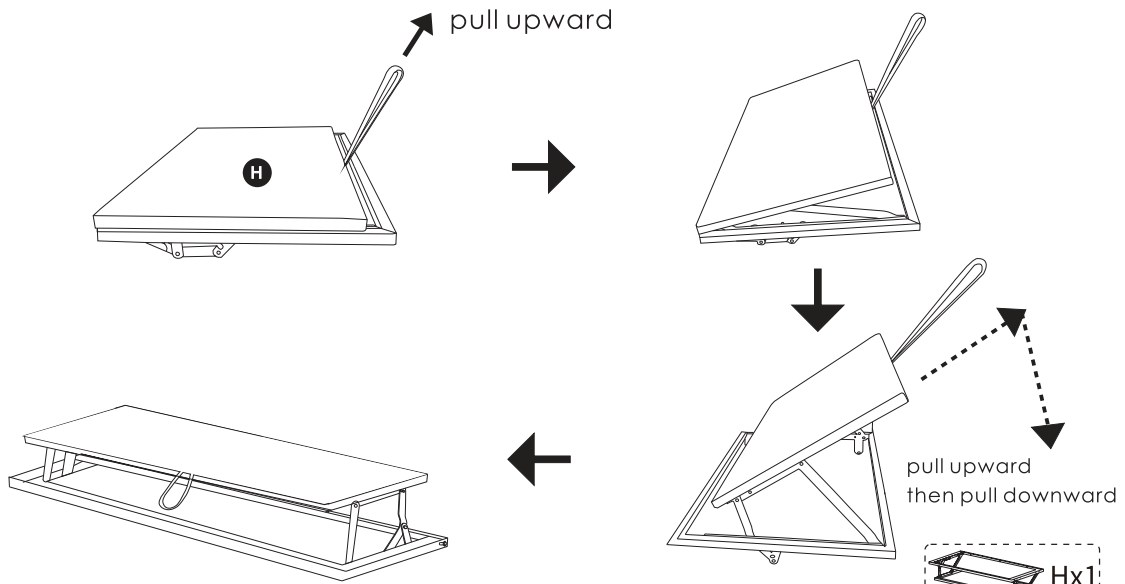


STEP12

The assembly of sofa is done.

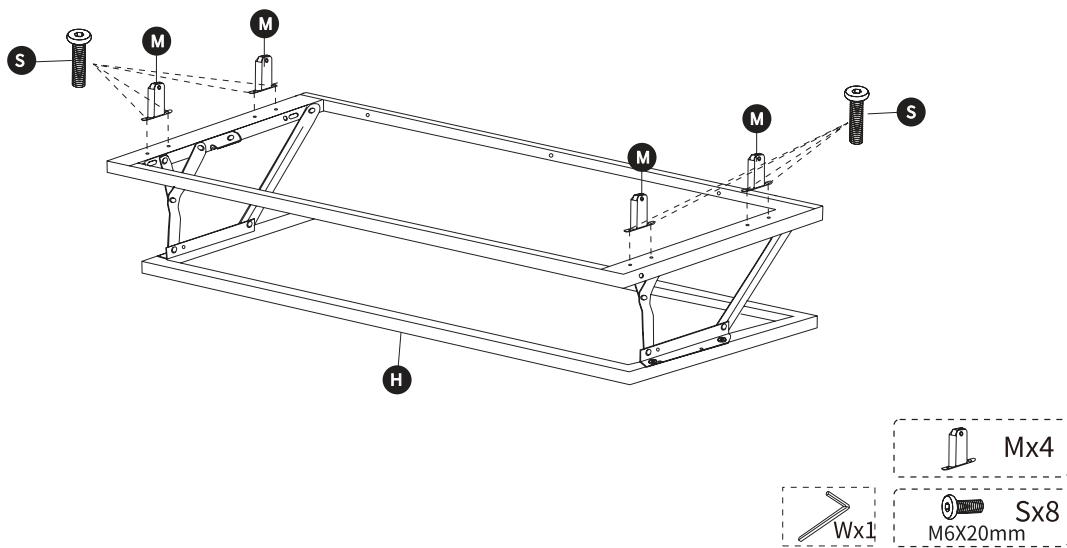


STEP13 Pull the bed frame(H) out.

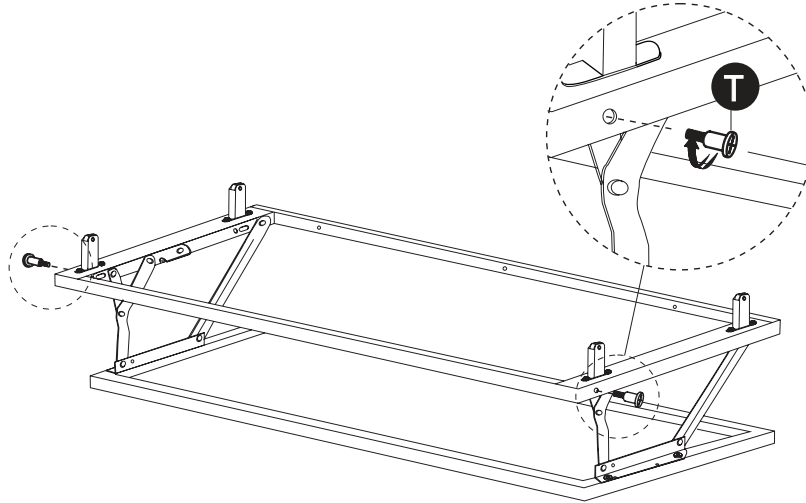


STEP14

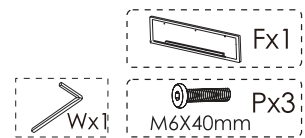
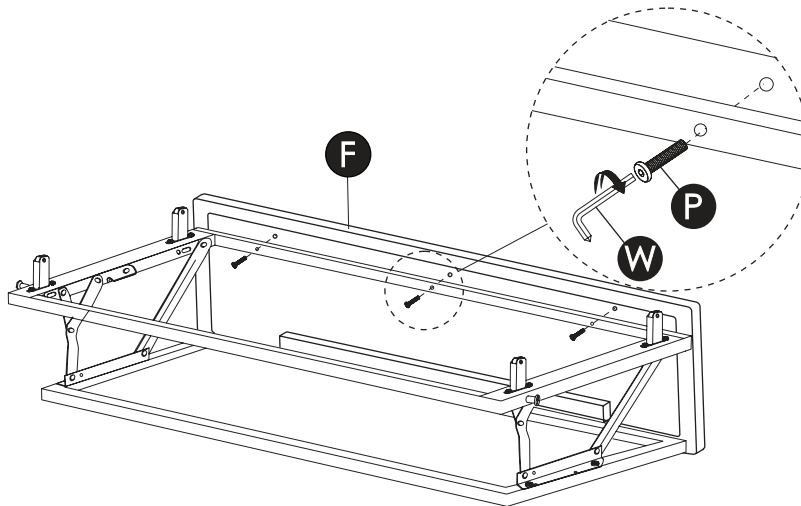
Insert the wheels(M) to the bed frame(H) using bolts(S) and Allen key(W).



STEP15 Insert the limit-position bolts(T) using Allen key(W).

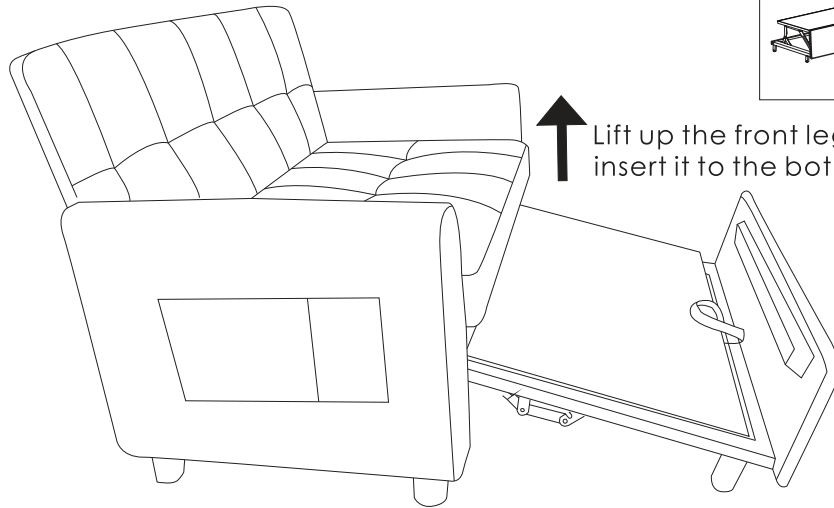


Step16 Attach bed front board(F) to the bed frame(H) using bolts(P) and Allen key(W).

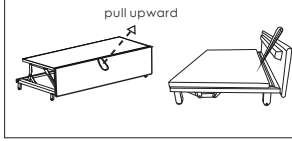


Step17

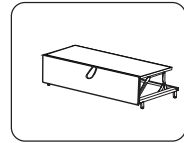
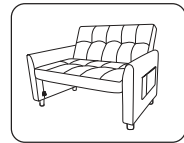
The assembly of pull bed frame is done. Fold the bed and then insert to the bottom of sofa.



Fold the pull bed

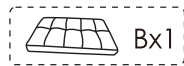
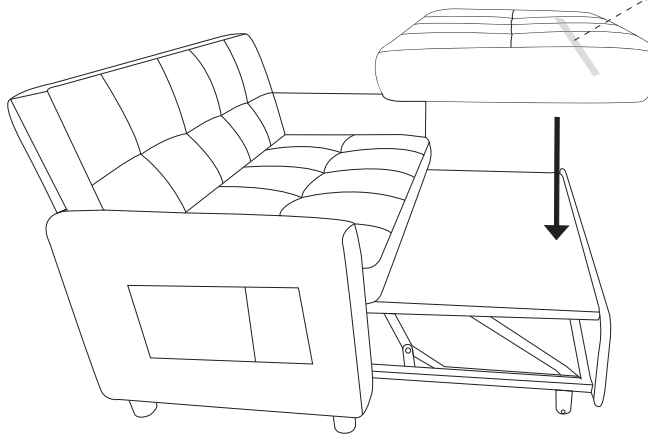


Lift up the front legs of pull bed and insert it to the bottom of sofa.



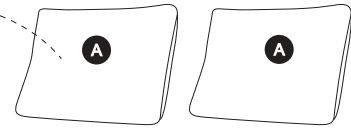
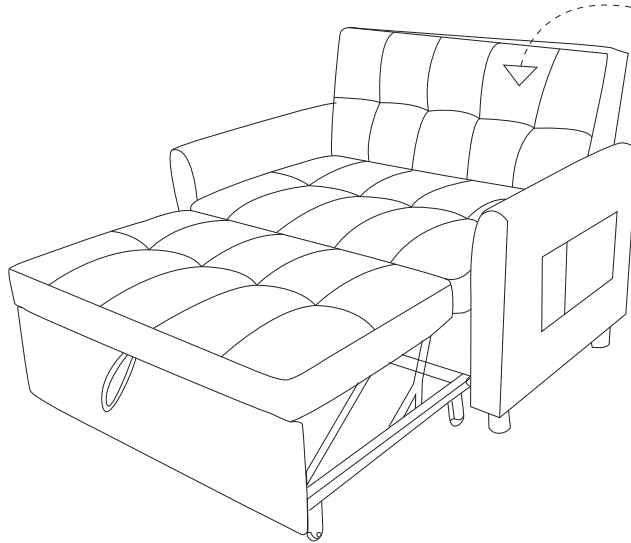
STEP18

Pull out the bed frame and stick to the front board, then tore off the Velcro of bed cushion and put it on the frame.



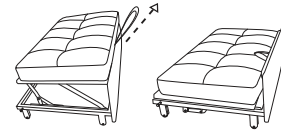
STEP19

After leveling the bed cushion, fold the pull bed, and put the back pillows(A) on the sofa.



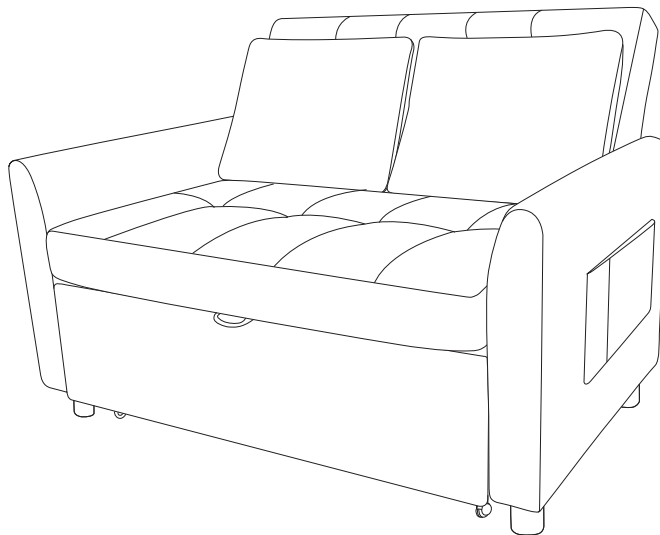
Fold the pull bed

pull upward



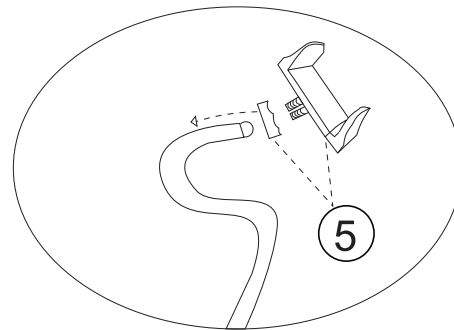
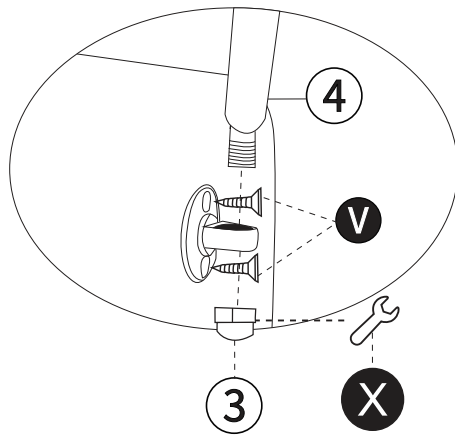
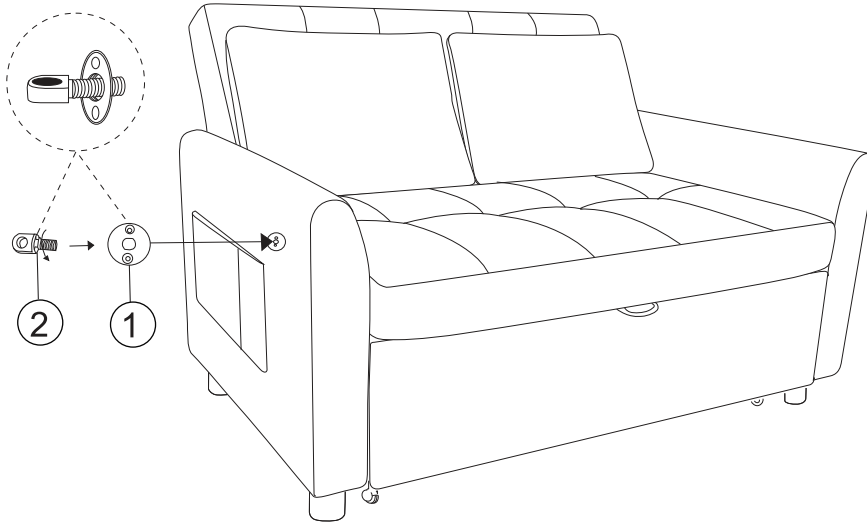
STEP20

The assembly is done.

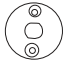


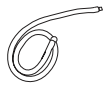


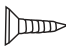


STEP21

The assembly of mobile phone holder



The accessory box of mobile phone holder

						
①	②	③	④	⑤	X	M4X25MM Vx2

