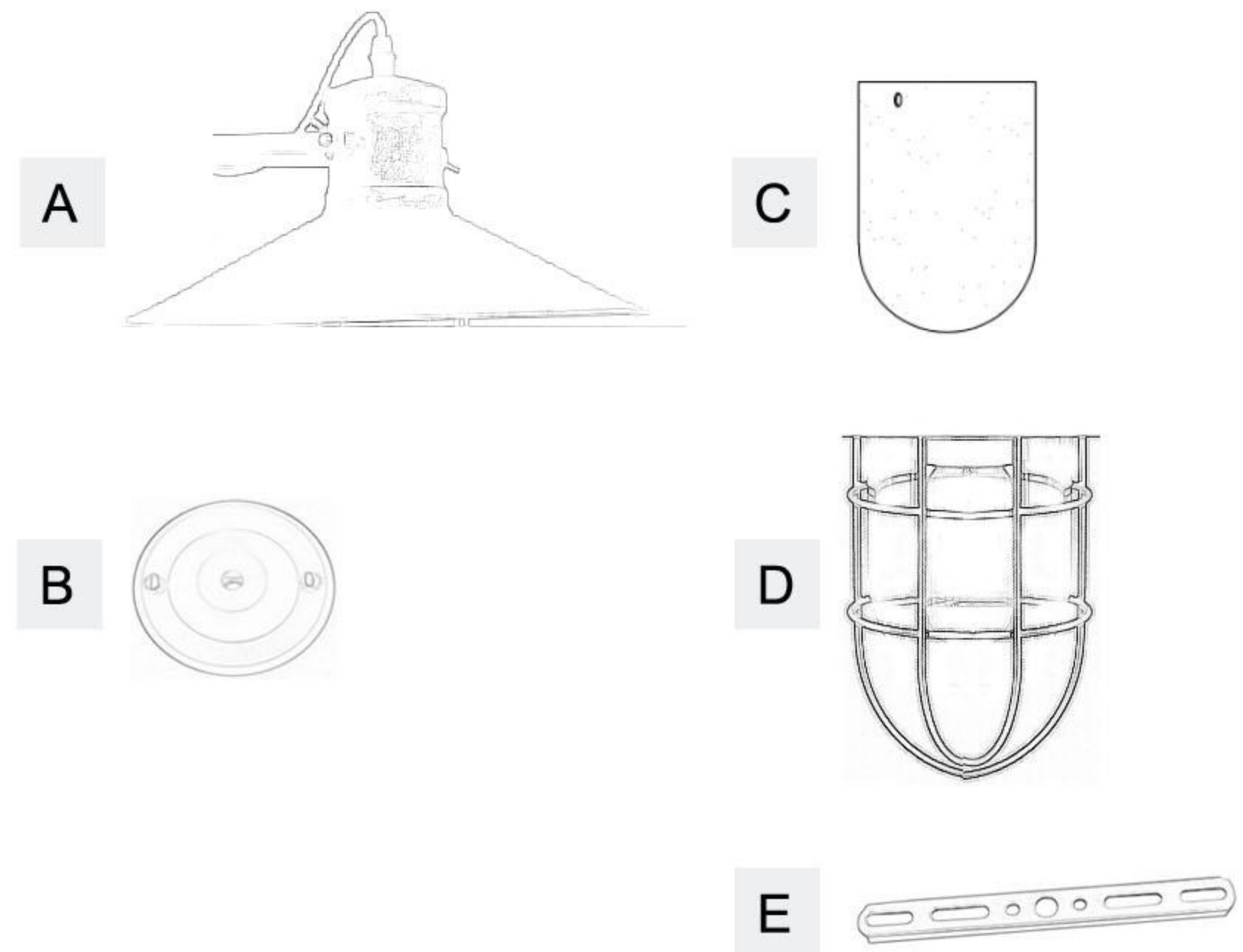


Assembly Instruction Sheet for Model HL371424

Package Contents

Part	Description	Quantity
A	Fixture Body	1 pc.
B	Backplate	1 pc.
C	Glass Shade	1 pc.
D	Metal Cage Frame	1 pc.
E	Mounting Bracket	1 pc.



STEP 1

Thread the wire from the Fixture Body(A) through the hole of Backplate(B).
Fix the fixture arm of Fixture Body(A) to the Backplate(B).

STEP 2

Insert the bulb (Not Included) to the bulb base.

STEP 3

Position the Glass Shade(C) to the Fixture Body(A).
Fix the Metal Cage Frame(D) to the Fixture Body(A).

STEP 4

Remove the Mounting Bracket(E) from the Backplate(B).
Mark the drilling position on wall with the help of the Mounting Bracket(E).
Drill holes on the marks and stick the expansion anchors into the holes.
Fix the Mounting Bracket(E) to the expansion anchors with self-tapping screw.

STEP 5

Hold the fixture close to wall.
Connect live line to wire color Black/Red from the Fixture Body(A).
Connect neutral line to wire color White/Blue from the Fixture Body(A).

STEP 6

Attach the Backplate(B) to the Mounting Bracket(E).

Your fixture is now assembled and ready to use.