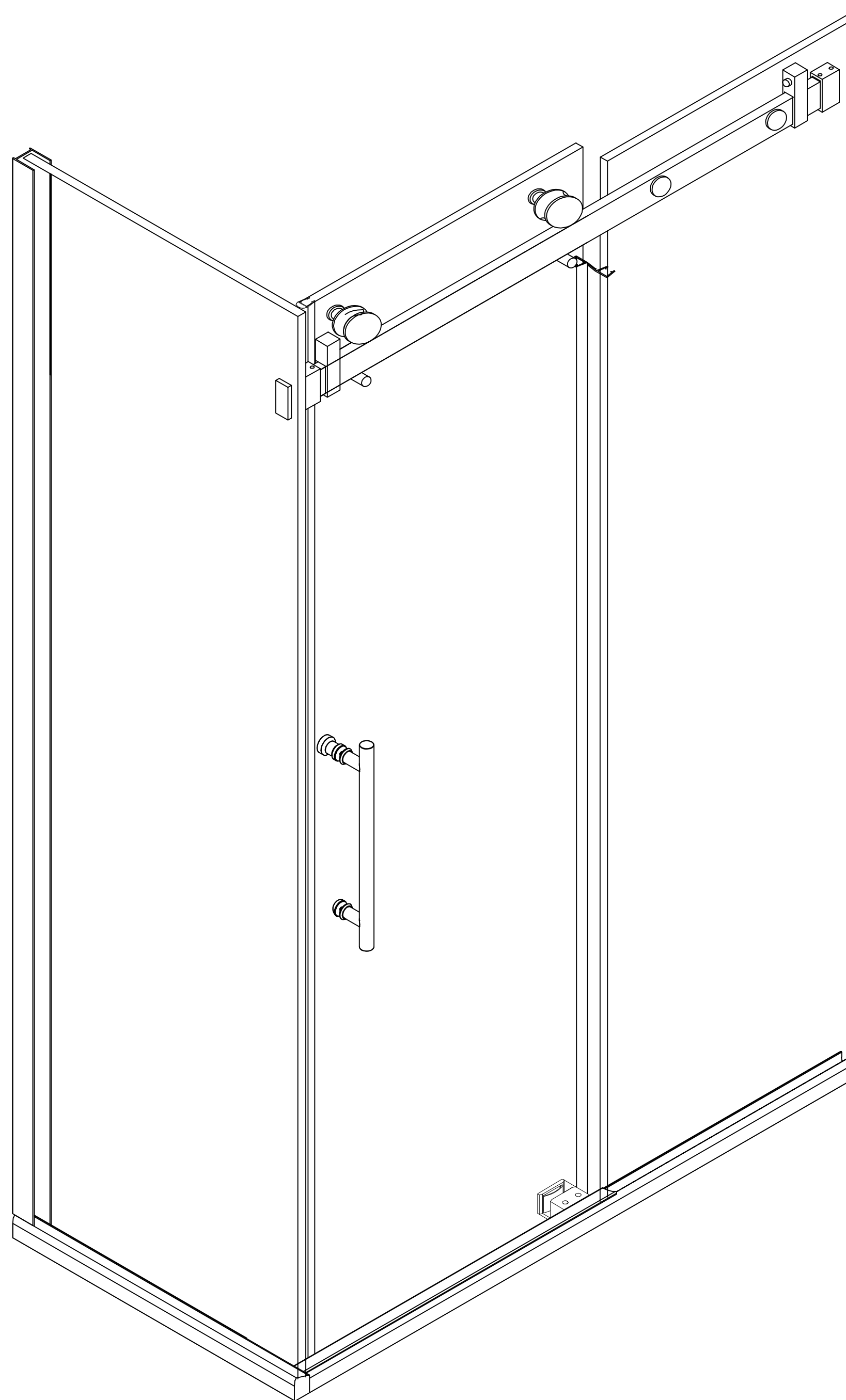


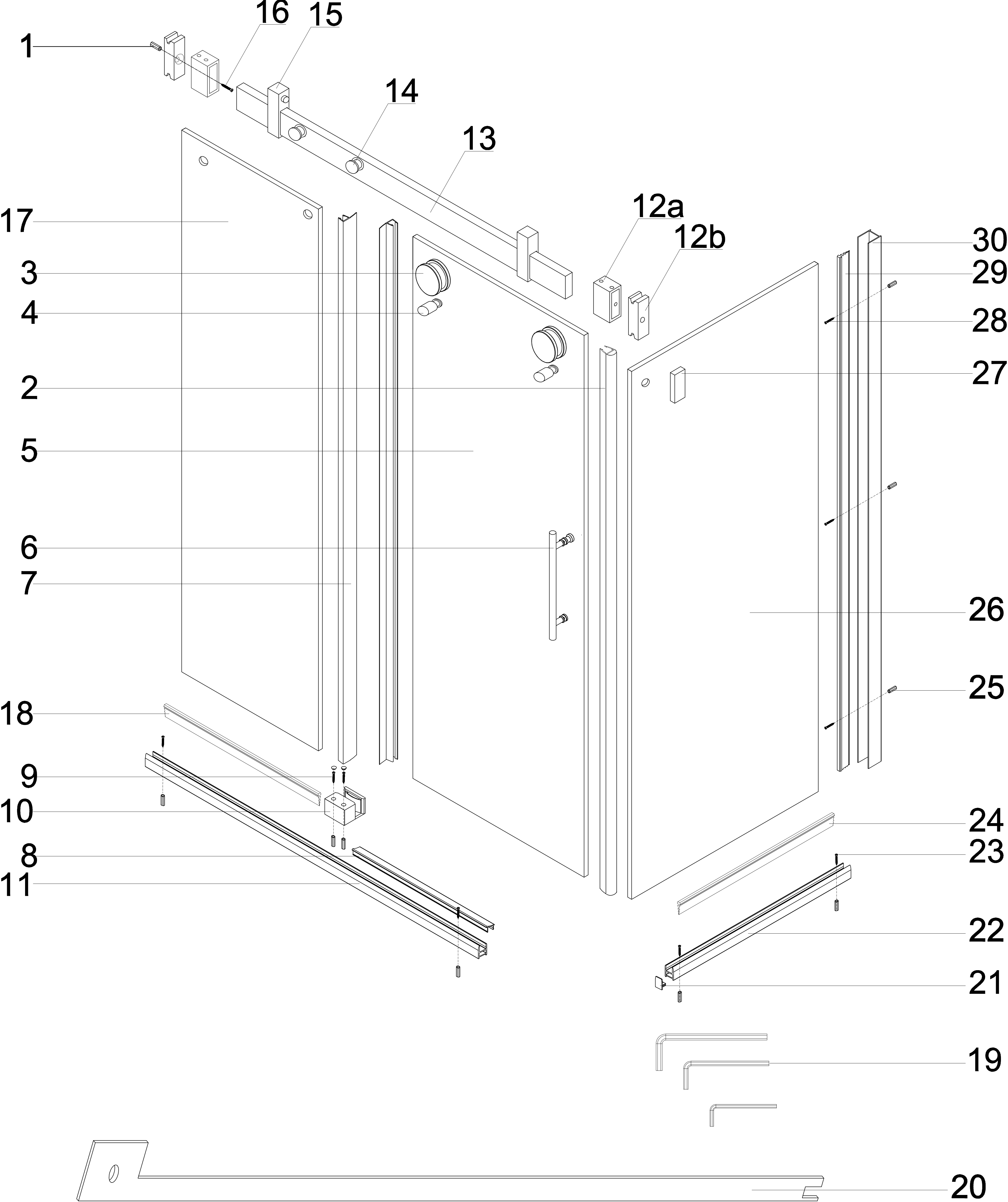
Left Hand Install



Right Hand Install

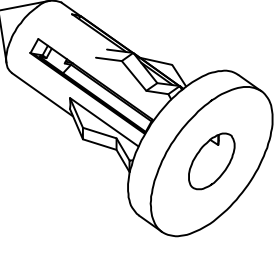
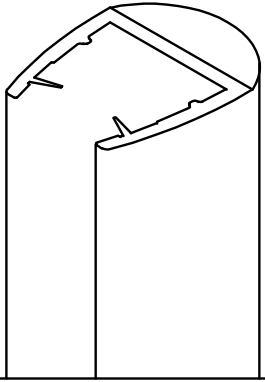
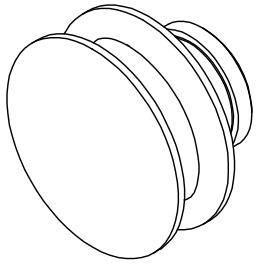
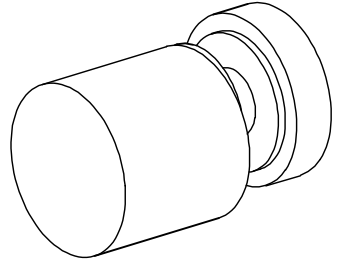
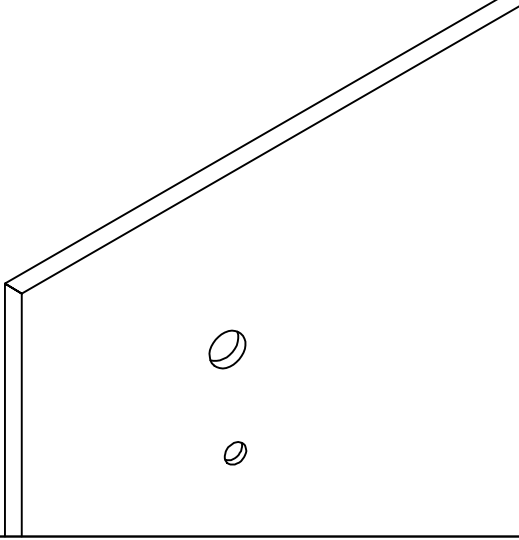
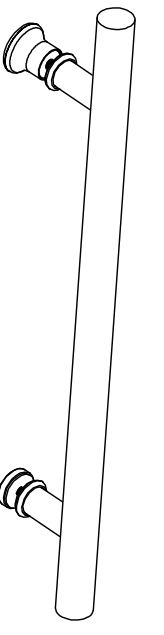
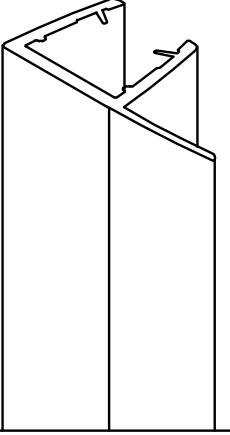
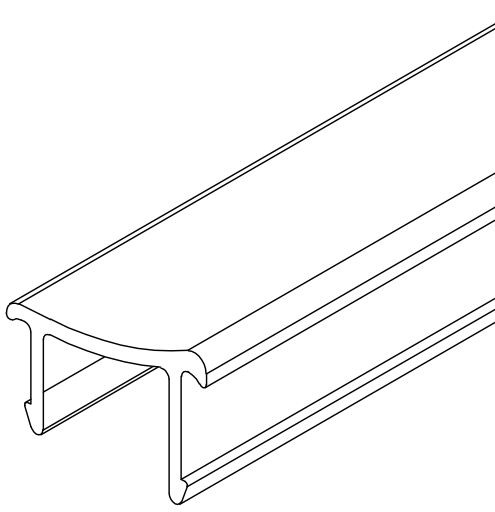
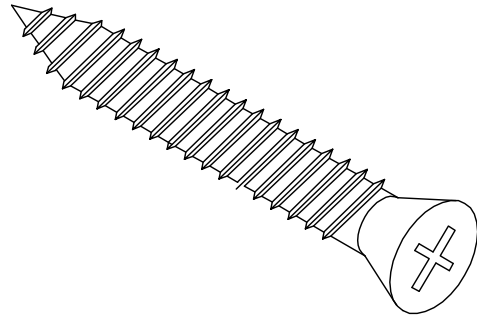
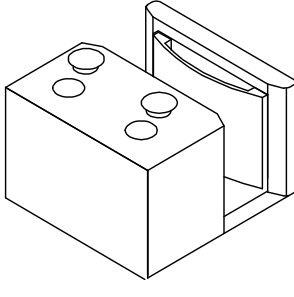
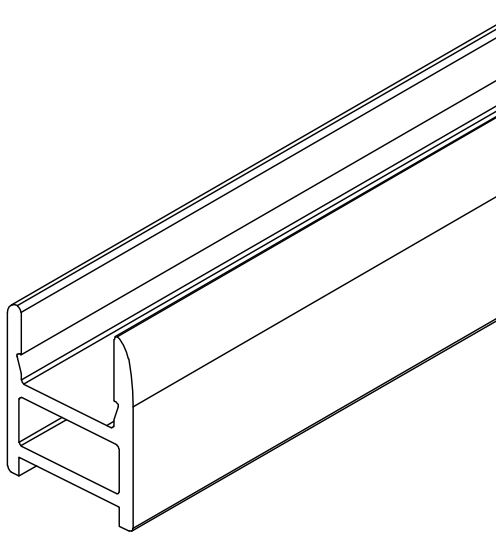
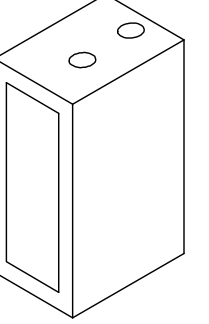
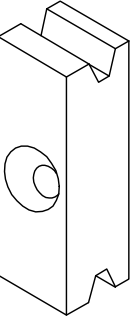
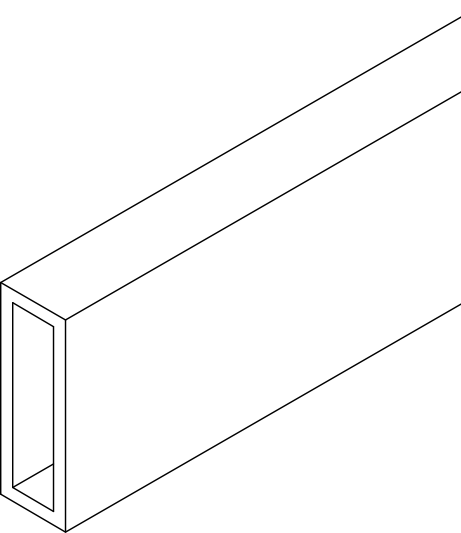
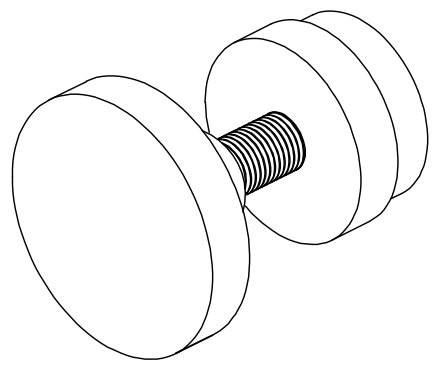
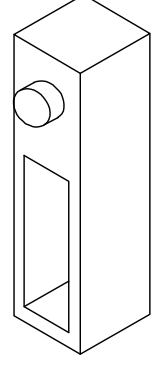
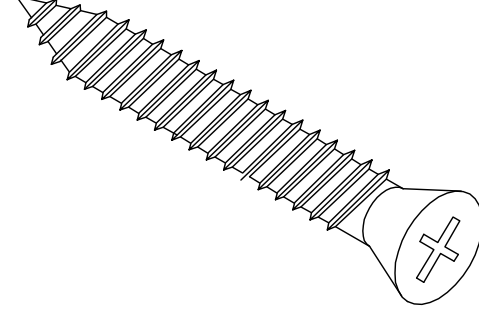
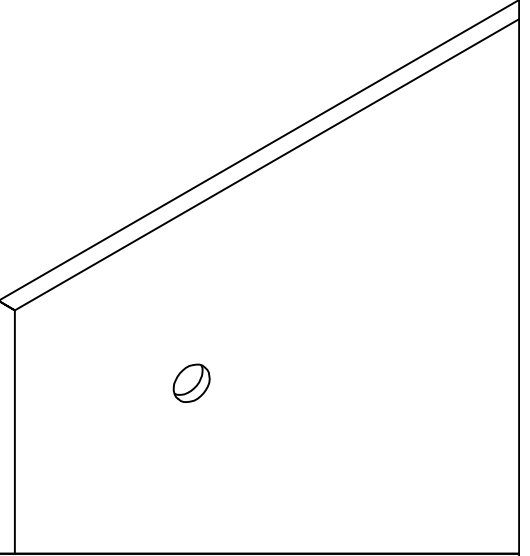
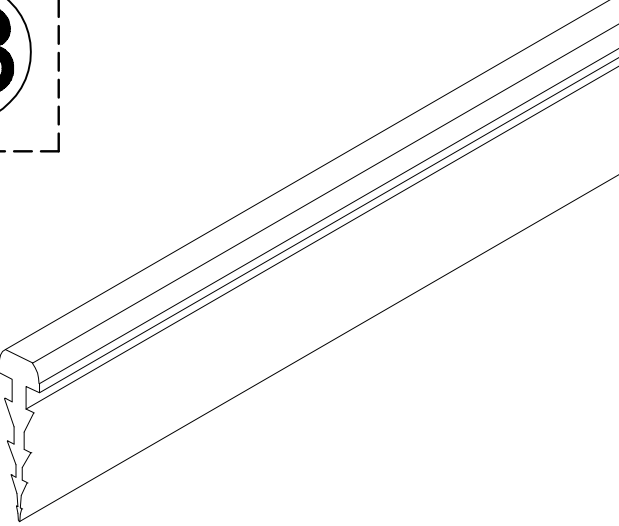
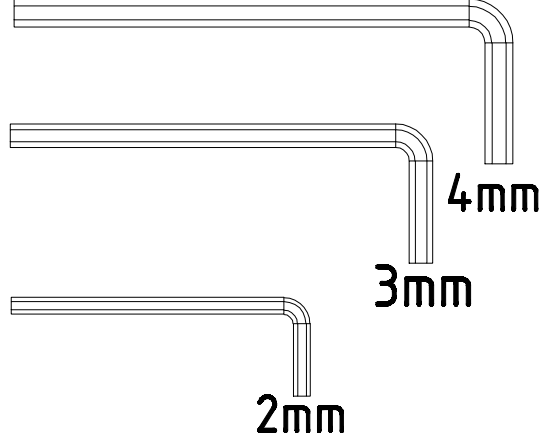
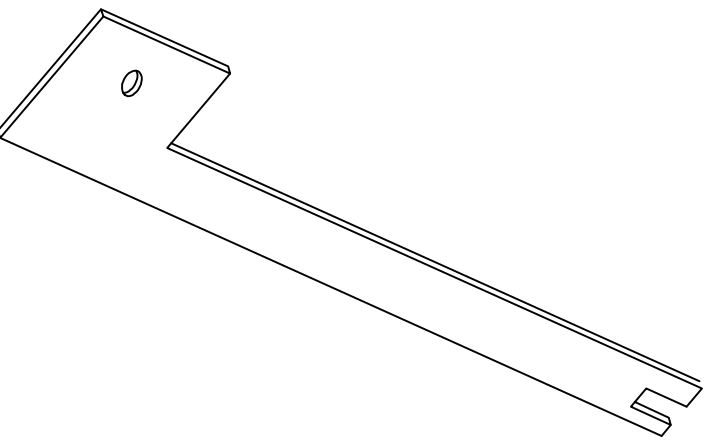
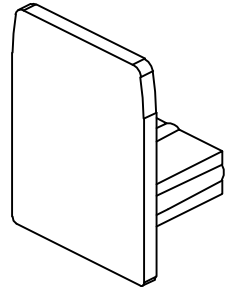
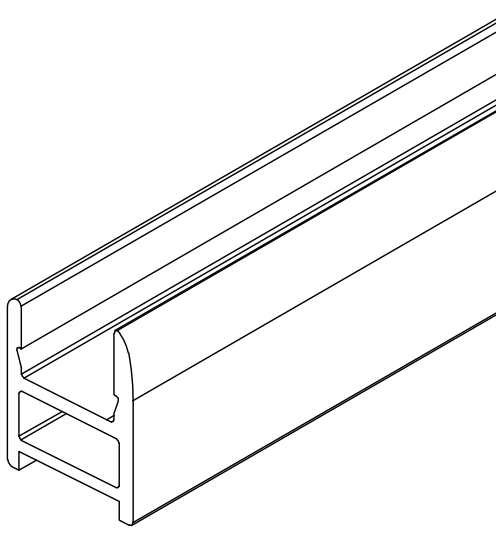
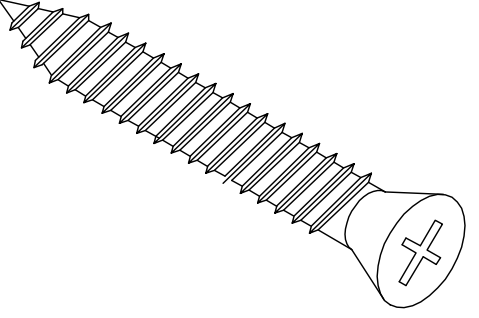
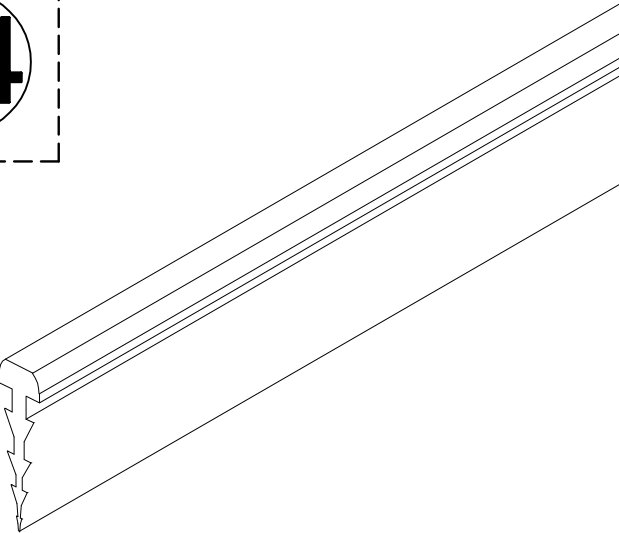
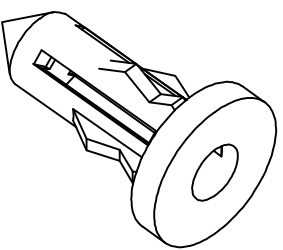
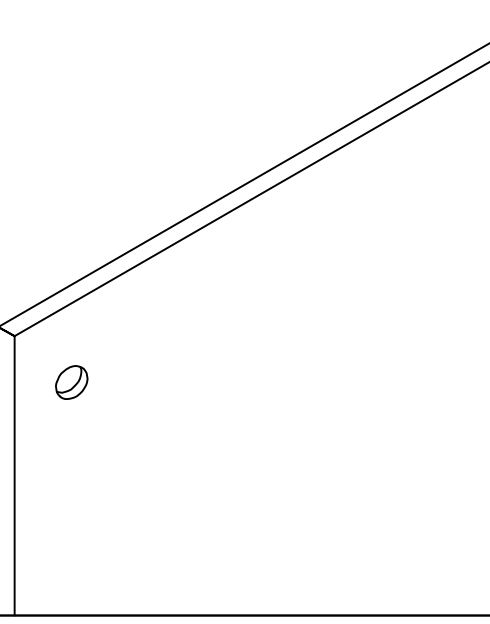
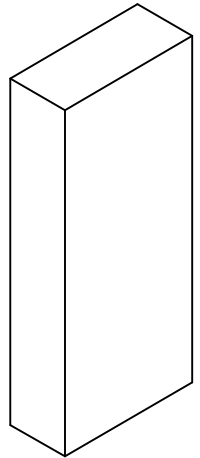
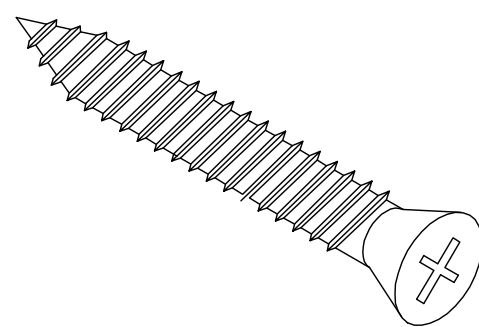
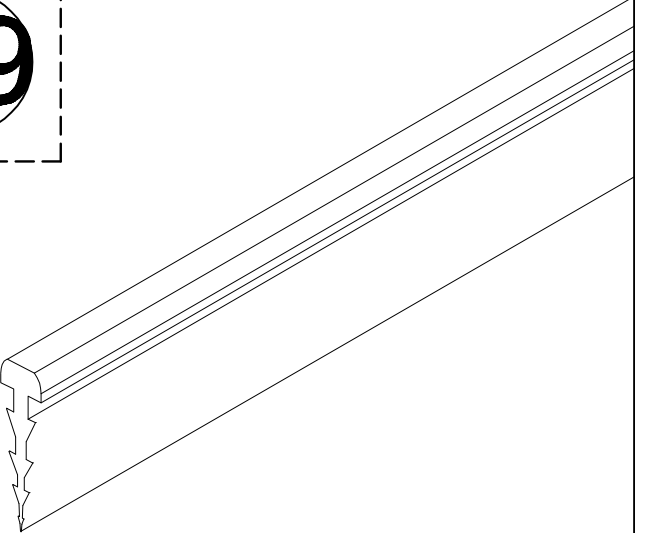
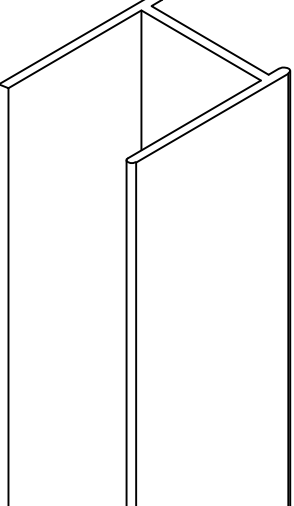
Customer Support: 1-877-897-1222
After-sale service: felyl@outlook.com
Hours of Operation: M-F 9 AM-5:00PM

Detailed Diagram

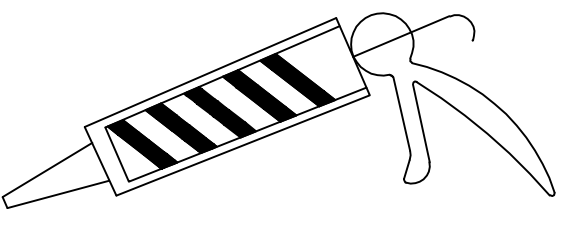
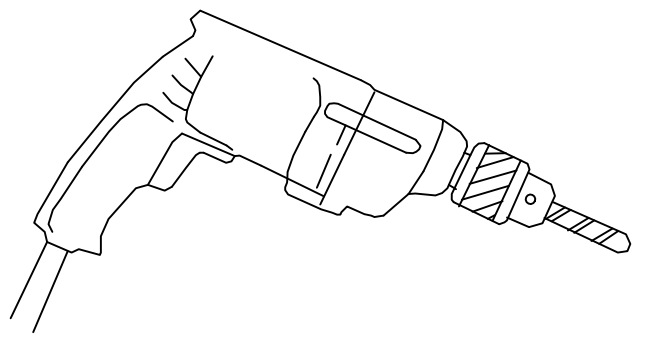
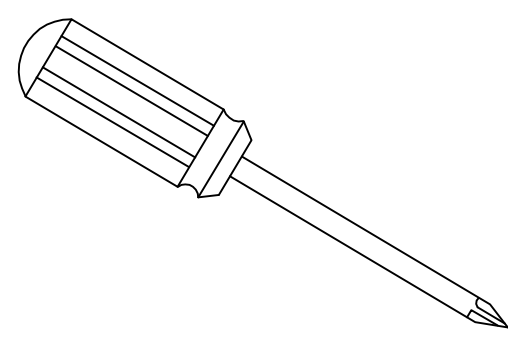
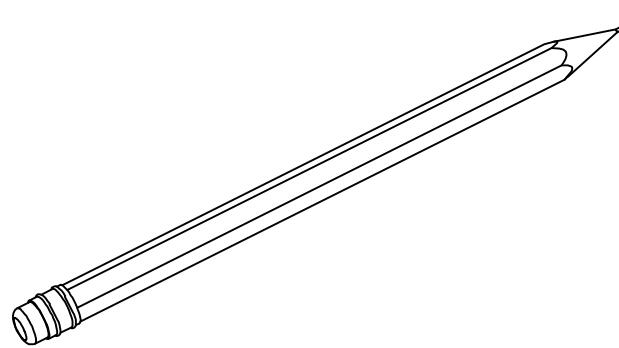
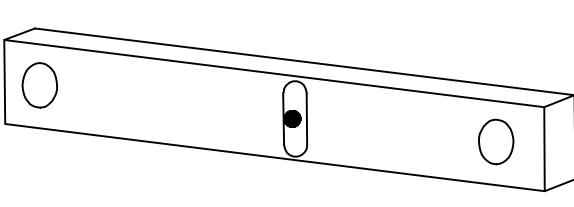
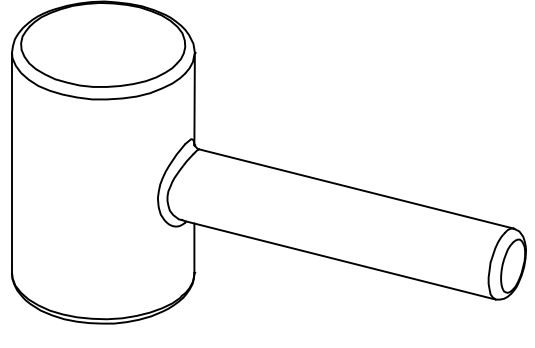
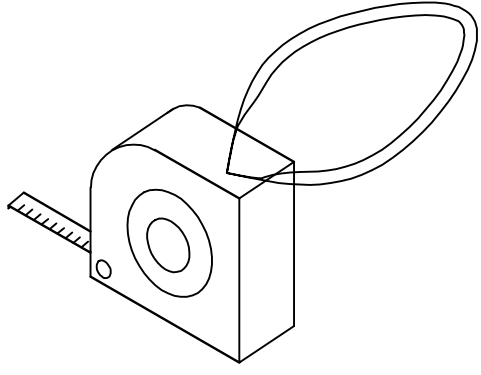

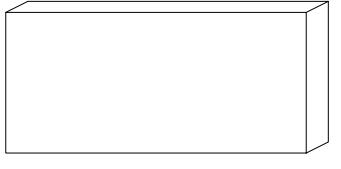
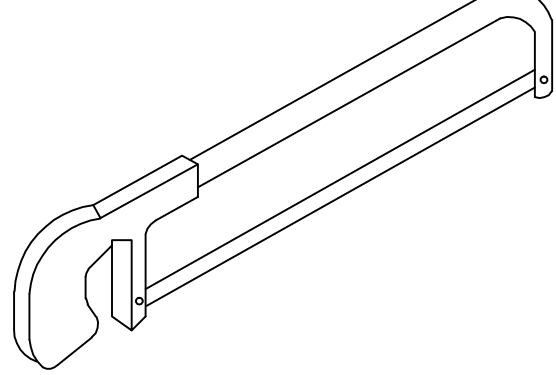




PART LIST

Check all parts according to the list before assembly . Feel free to contact with us if you need assistance .

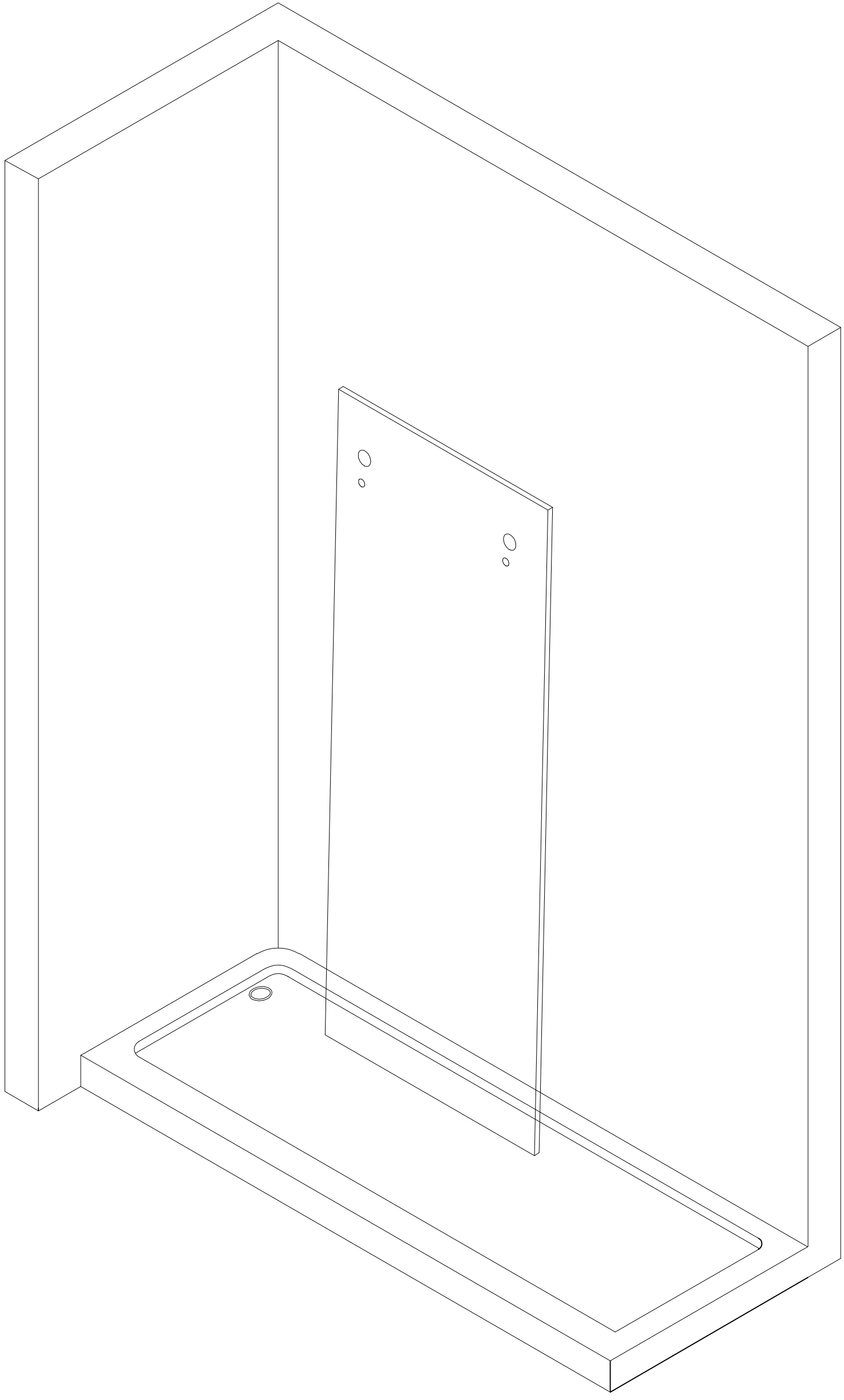
1 	2 	3 	4 	5 	6 
Wall Anchor6*1"(6 pcs)	Bumper Strip(1 pc)	Roller(2 pcs)	Anti-Jumper(2 pcs)	Roller Door(1 pc)	Handle(1 pc)
7 	8 	9 	10 	11 	12a 
Water-Retaining Gasket(2 pcs)	Threshold(1 pc)	Self-Tapping Screws (4*20) (4 pcs)	Door Guide (1 pc)	Door Bottom Guide (1 pc)	Rail Wall Bracket (2 pcs)
12b 	13 	14 	15 	16 	17 
Rail Wall Connector (2 pcs)	Top Rail(1 pc)	Fixed Panel Fastener (2 pcs)	Door Bumper (2 pcs)	Self-Tapping Screws (4*30) (2 pcs)	Fixed Panel(1 pc)
18 	19 	20 	21 	22 	23 
One-sided strip(1 pc)	Allen Wrenches(4pcs)	Template(1 PC)	Door Bottom Guide Cover(1 PC)	Door Bottom Guide (1 pc)	Self-Tapping Screws (4*20) (2 pcs)
24 	25 	26 	27 	28 	29 
One-sided strip(1 pc)	Wall Anchor6*1"(5 pcs)	Side Fixed Panel(1PC)	Rail Wall Connector (1PC)	Self-Tapping Screws (4*30) (3 pcs)	One-sided strip (1 pc)
30 					
Fixed Panel Glass Profile (1PC)					

Recommended Tools

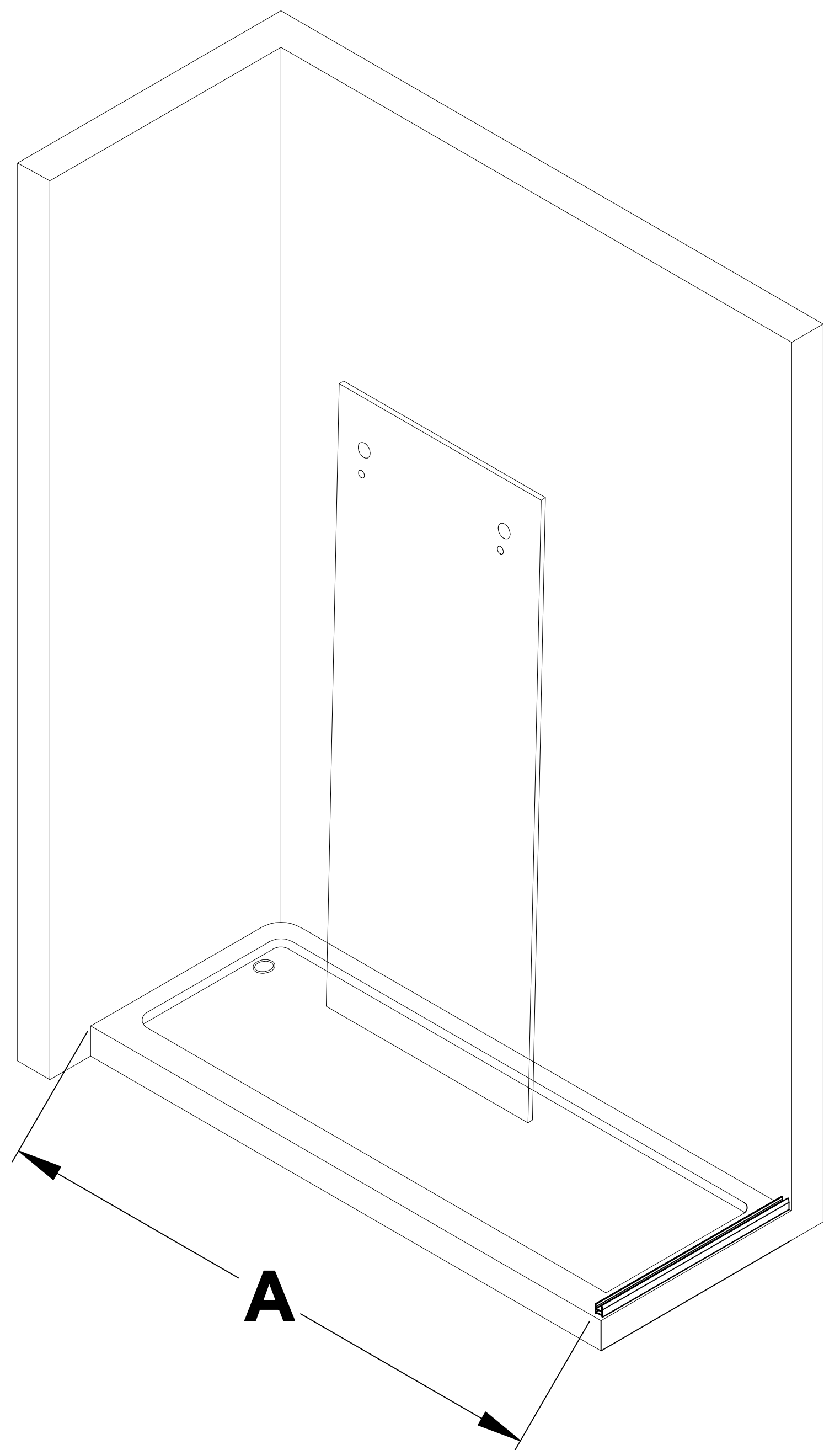
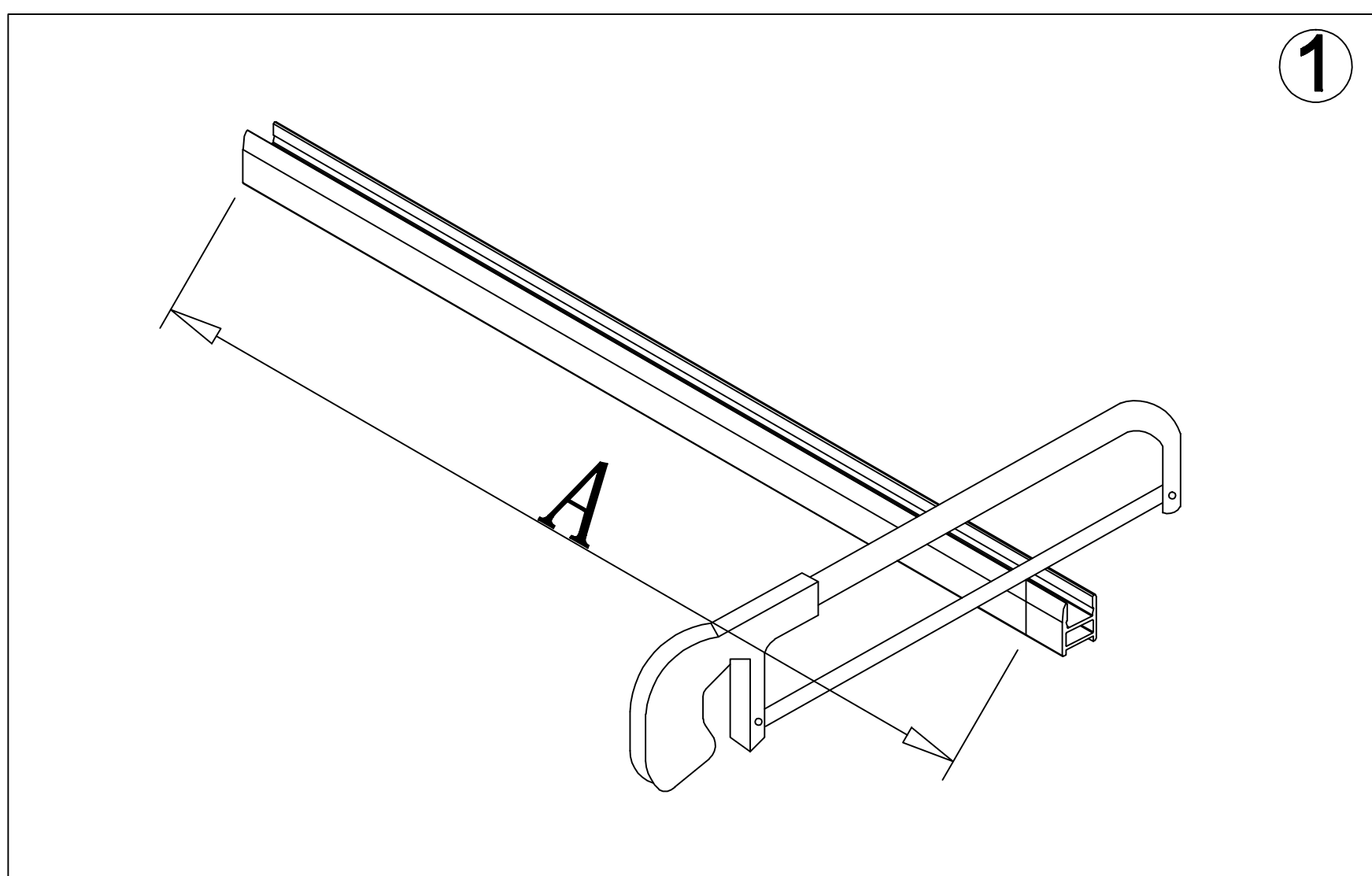
					
Silicone	Drill	Phillips Screw Driver	Pencil	Level	Rubber Mallet
					
Tape Measure	Ø1/4" Drill Bit	Wooden Jam	Hacksaw	Safety Glass	Safety Gloves

Utilize Safety Glasses and Safety Gloves when constructing this shower door

1

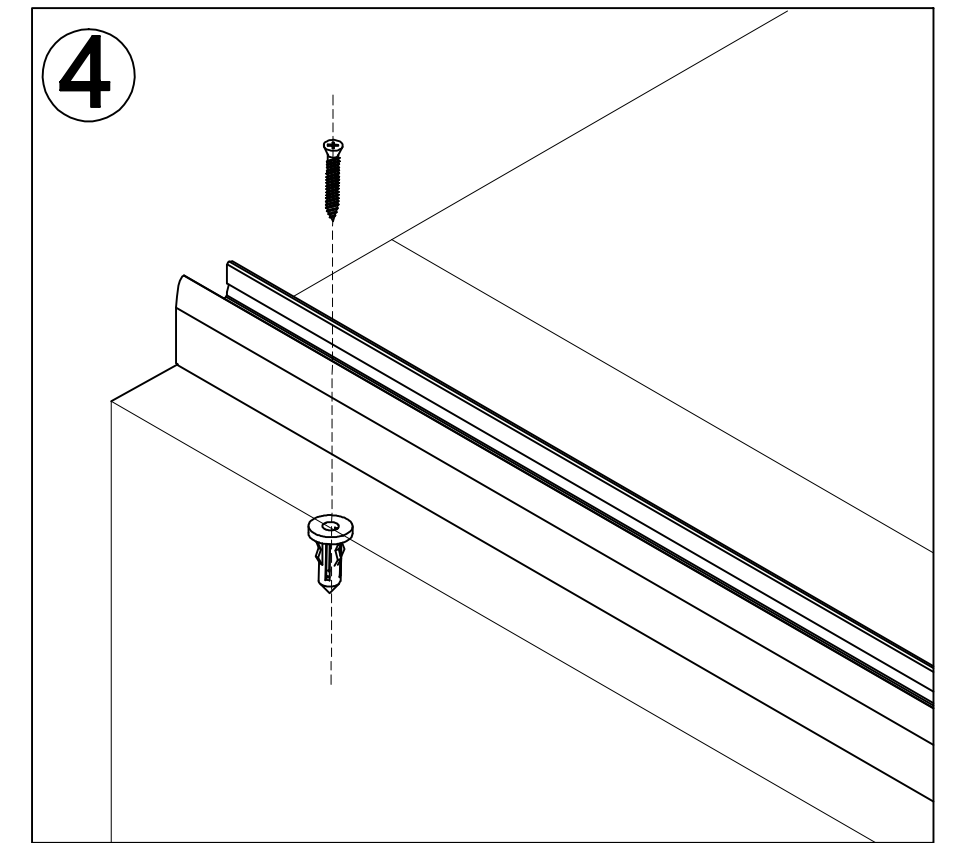
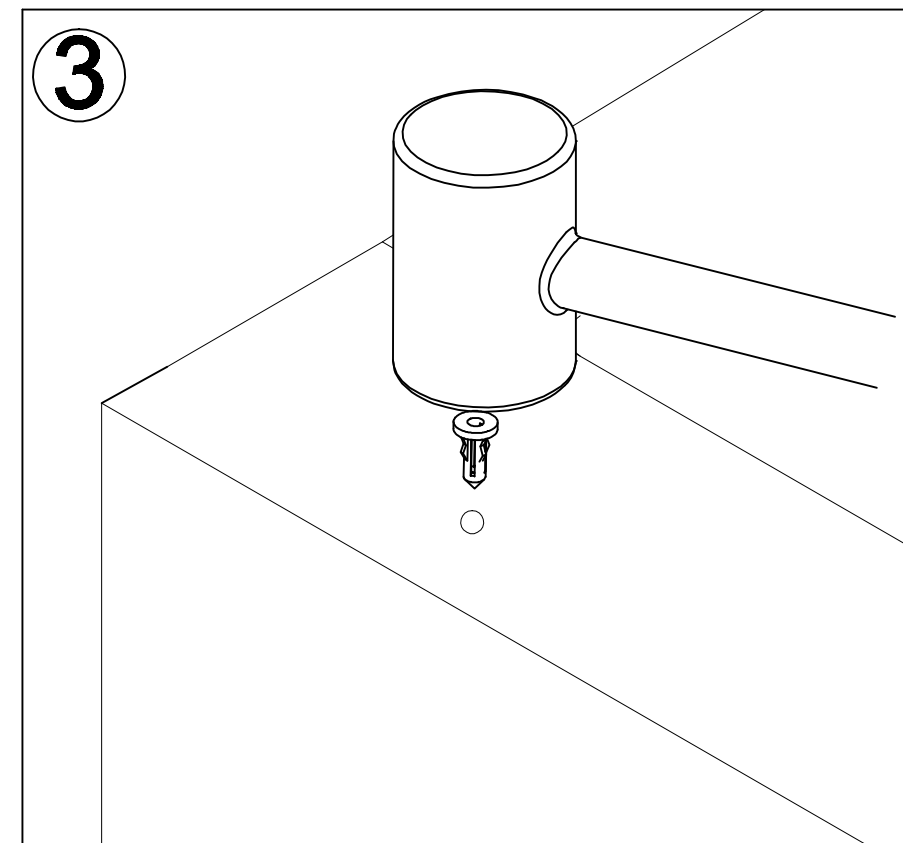
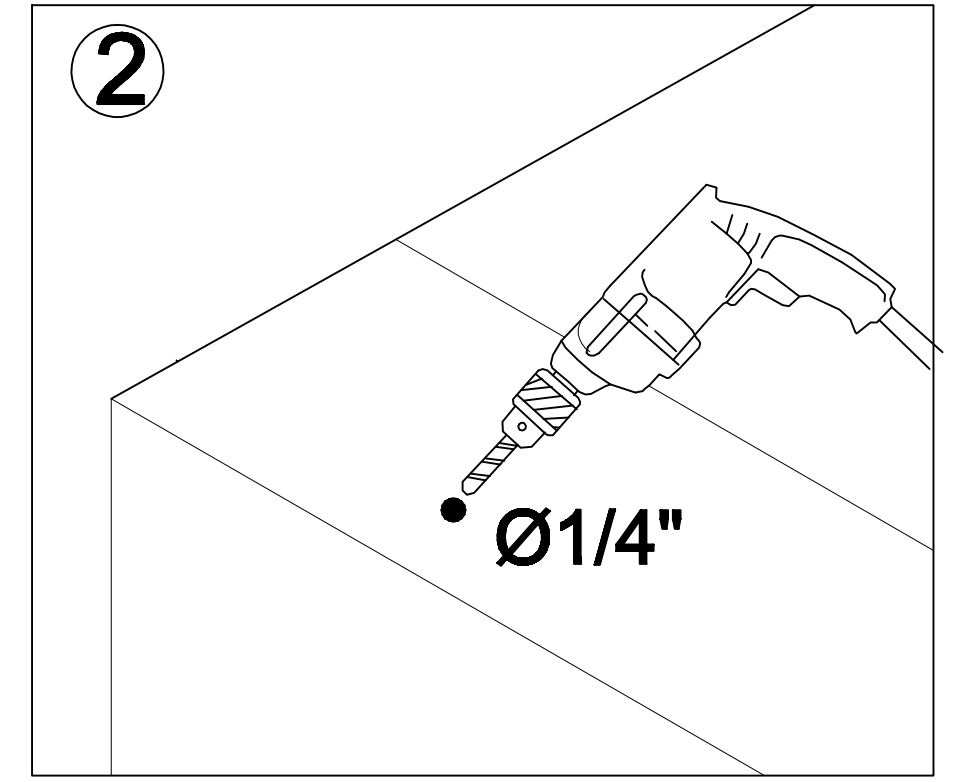
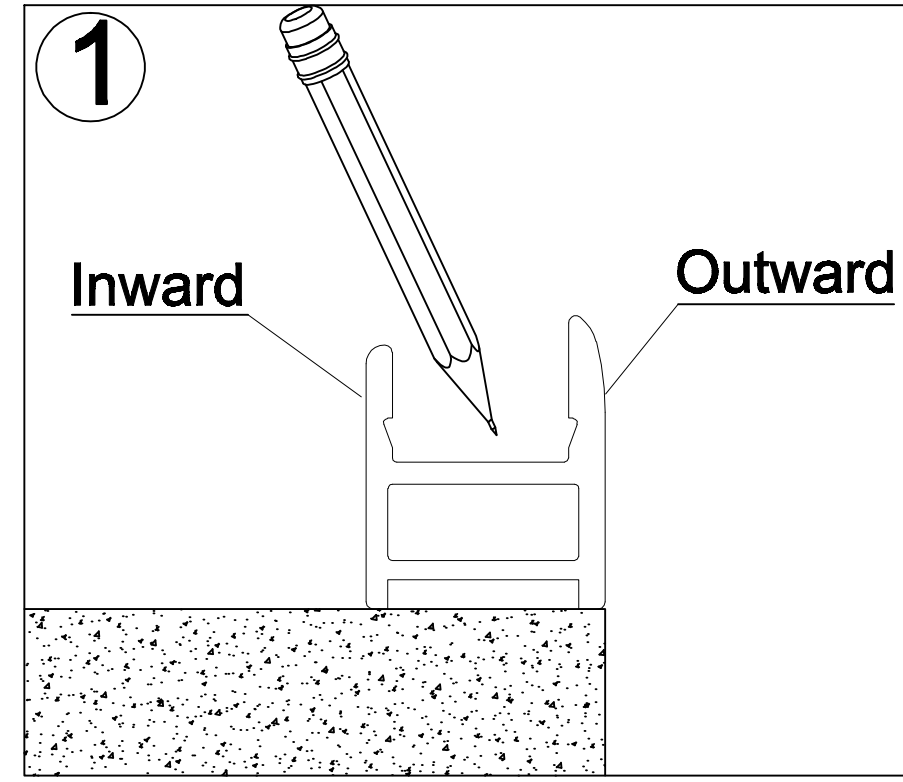
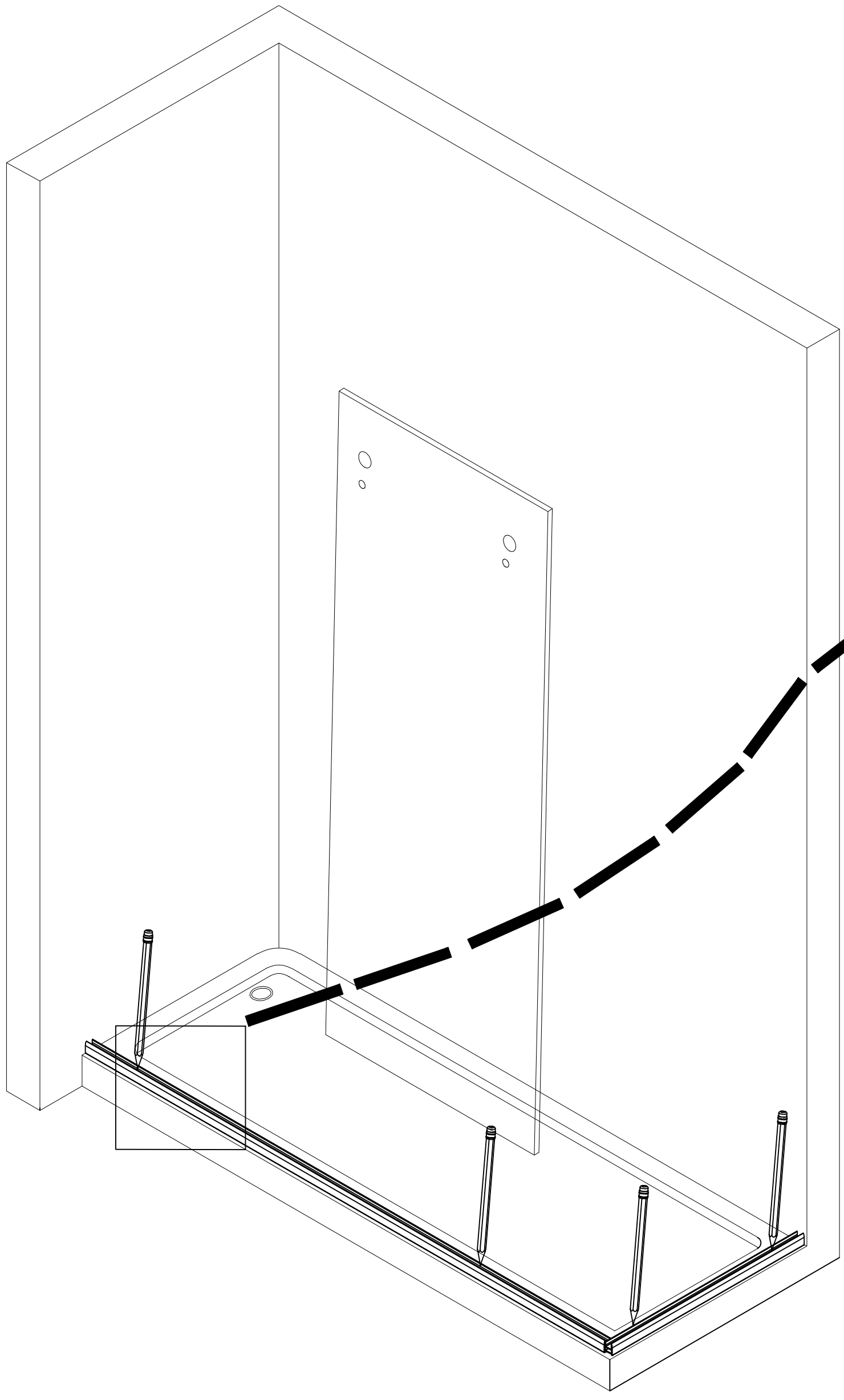


2

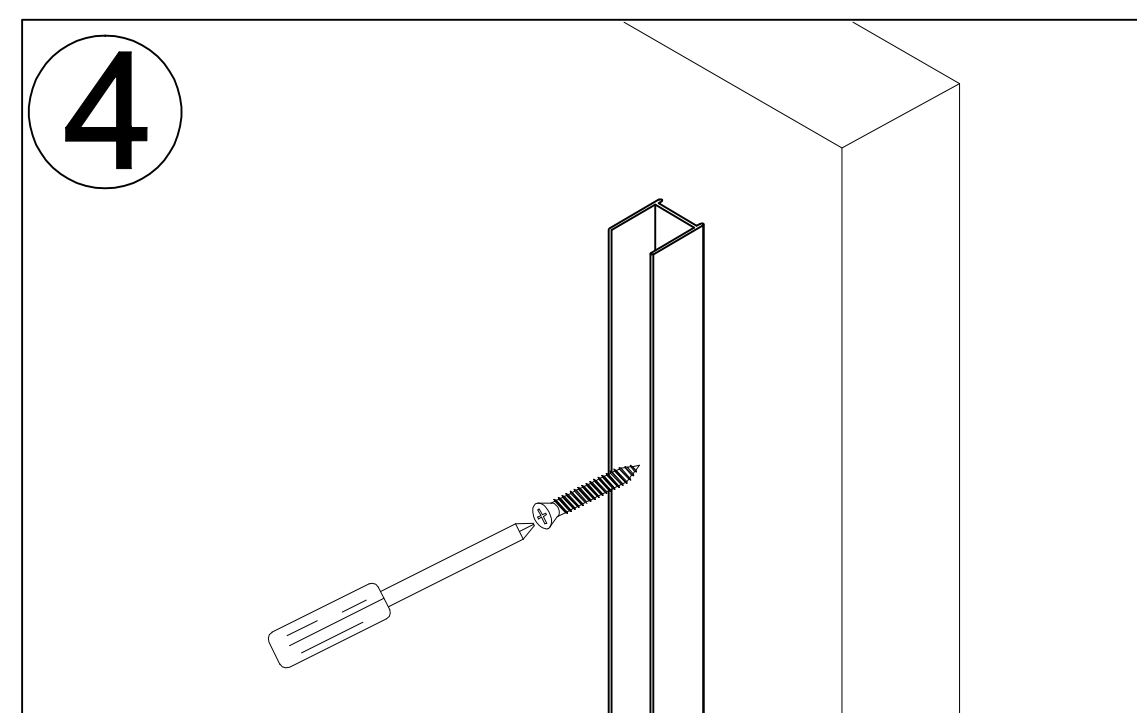
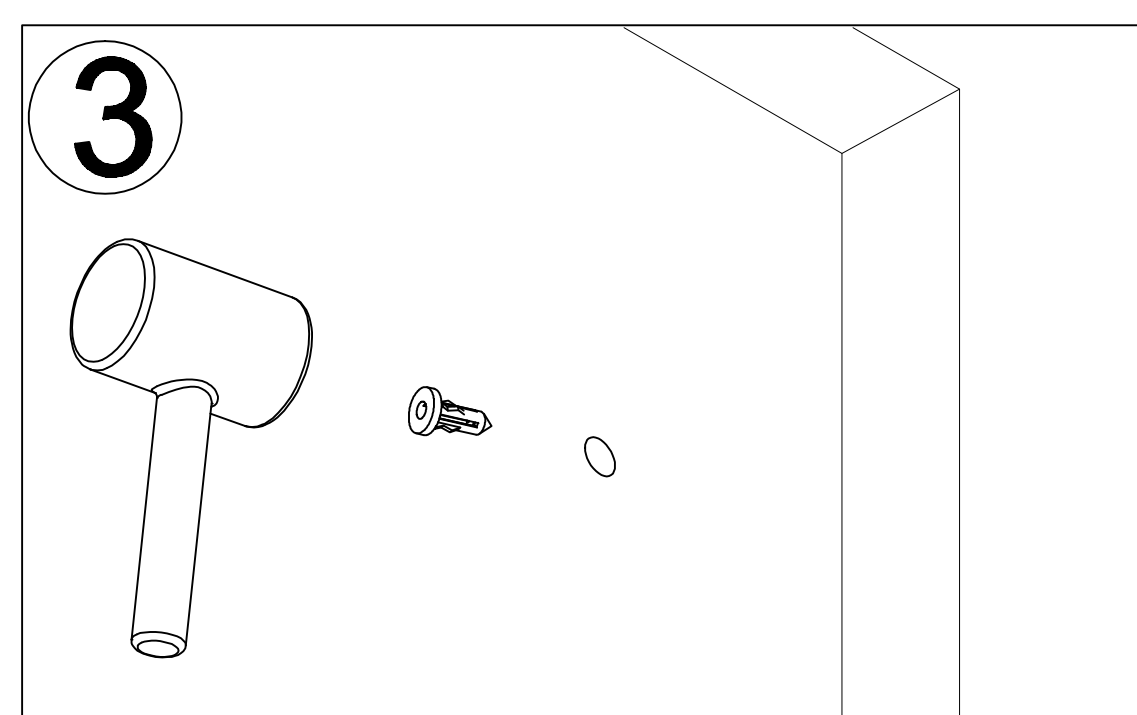
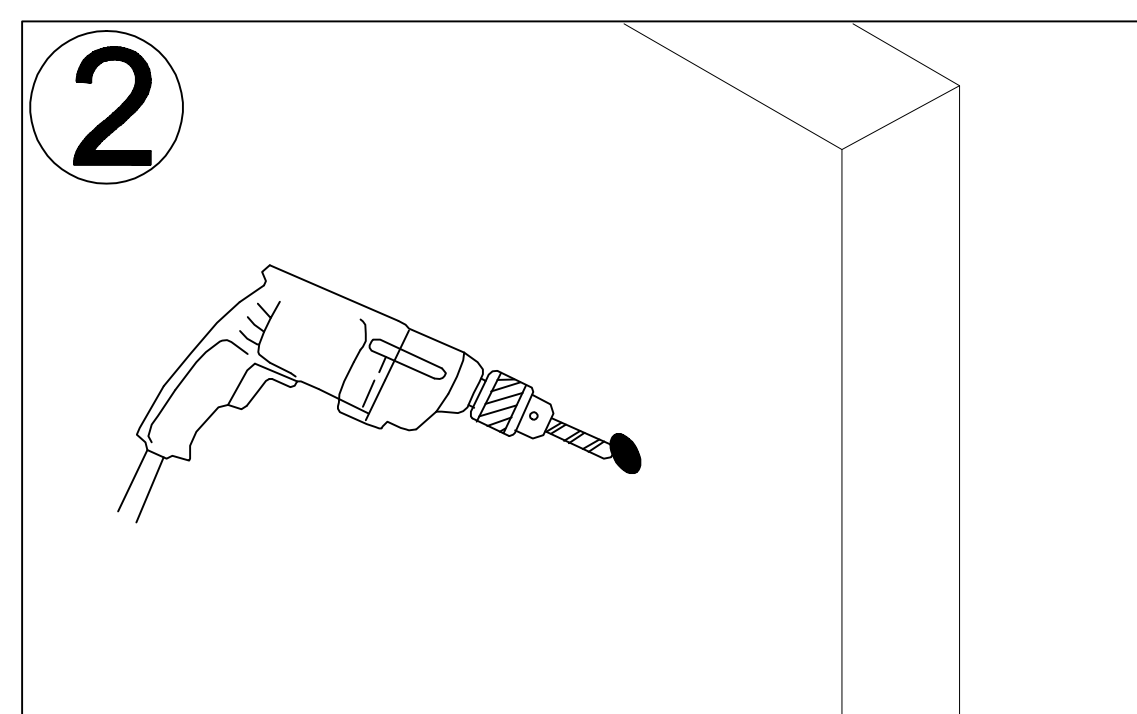
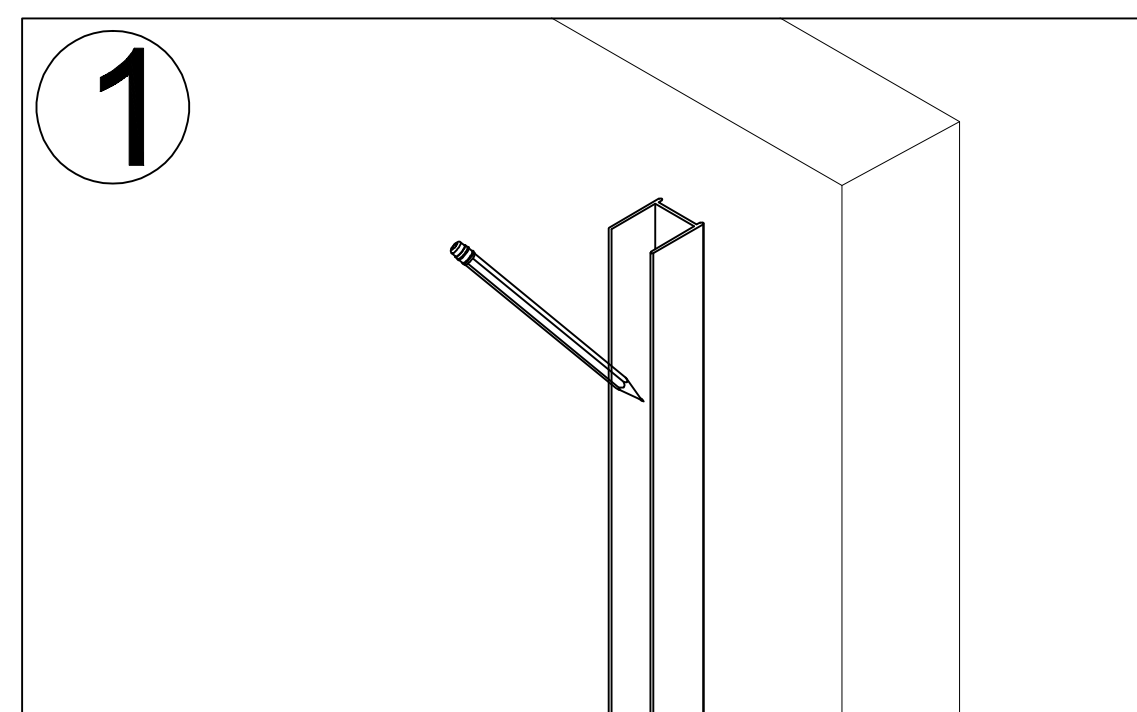
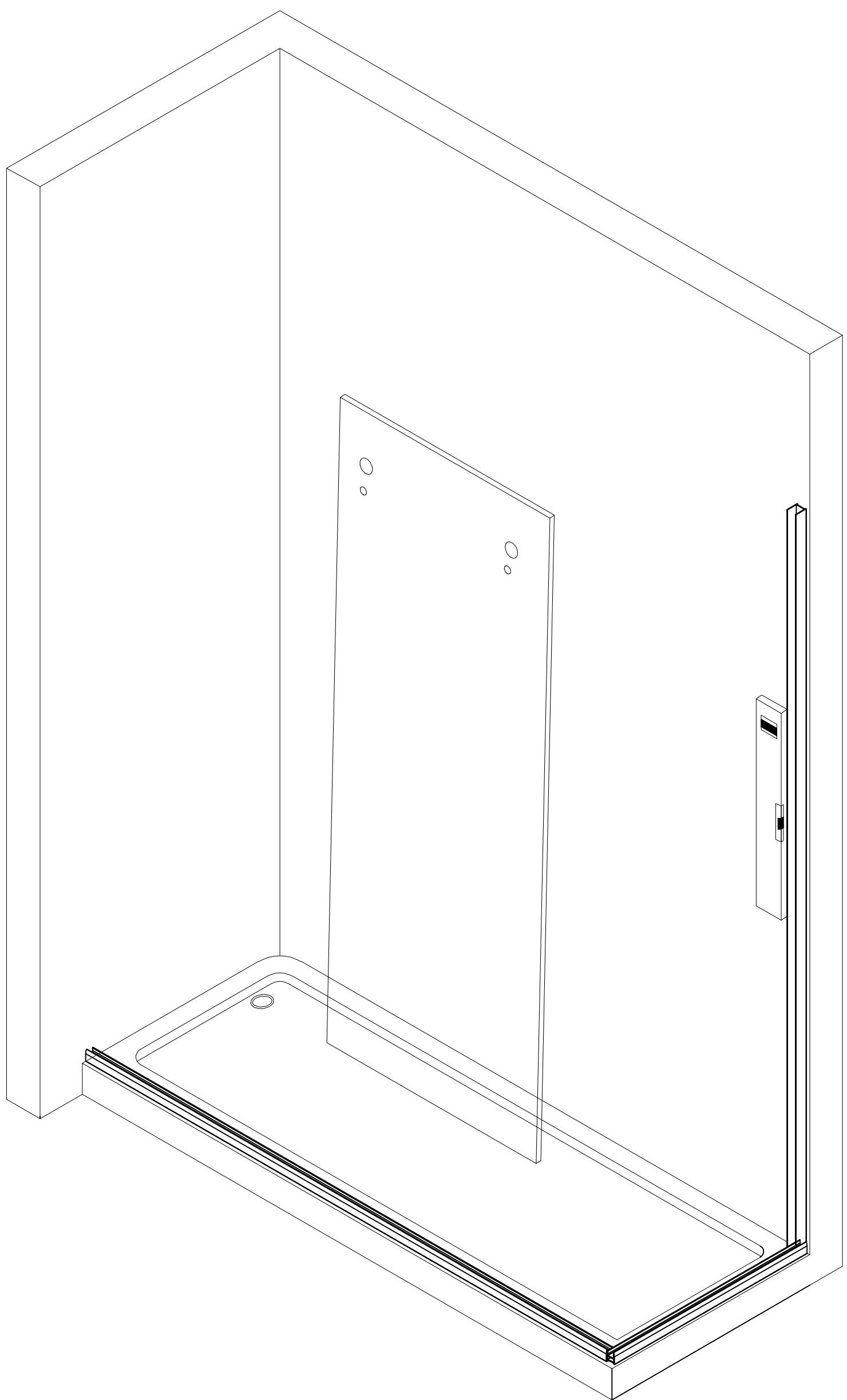


4

3

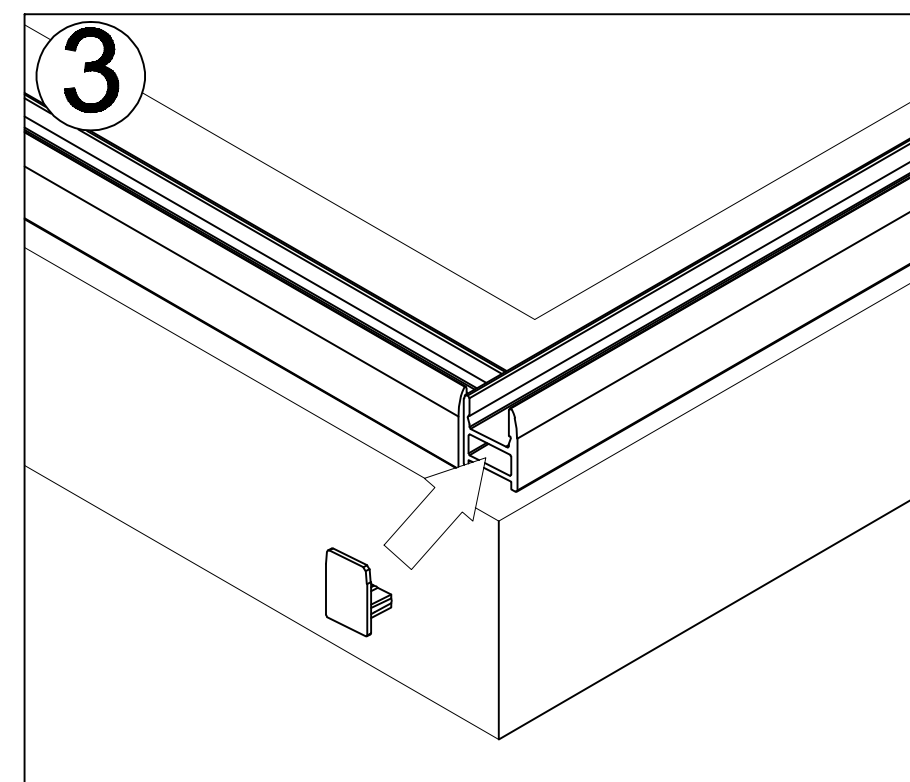
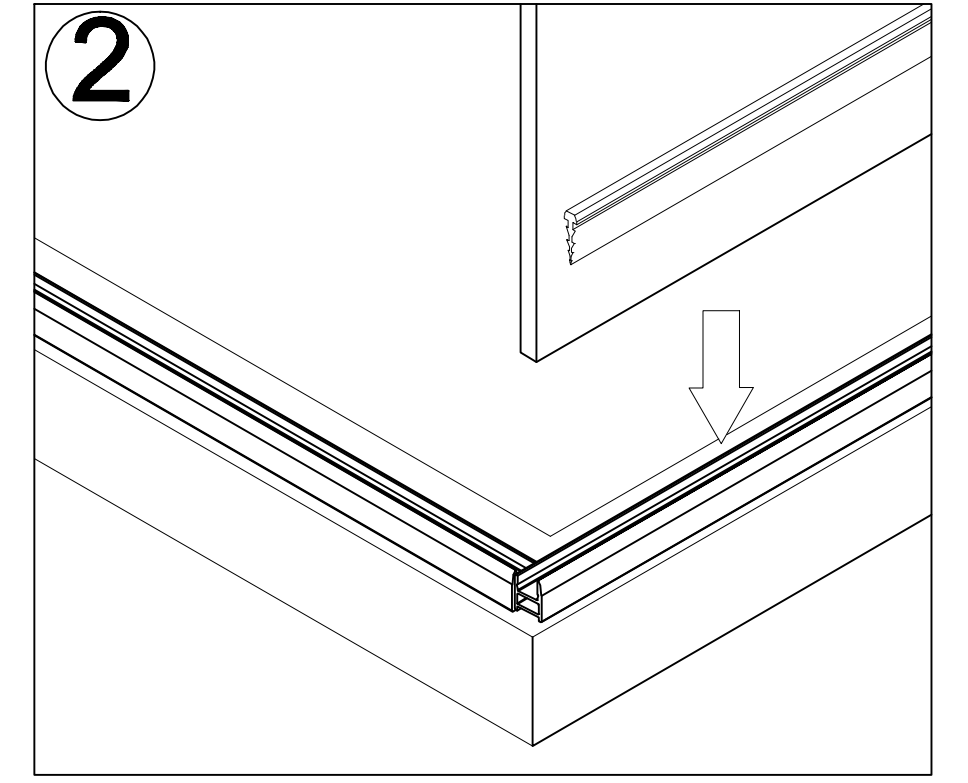
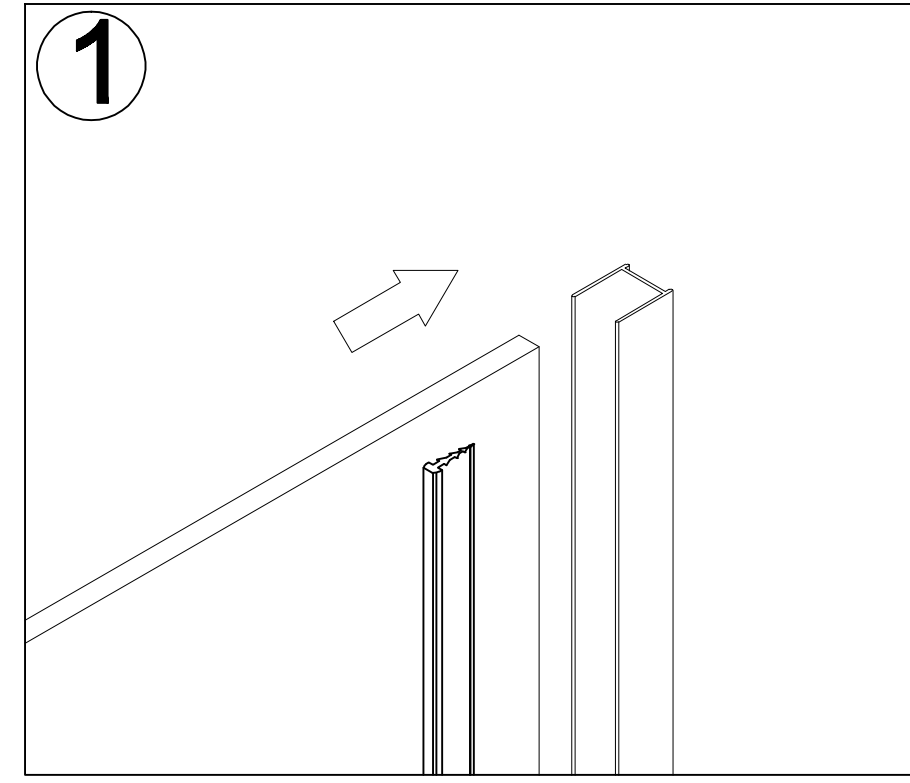
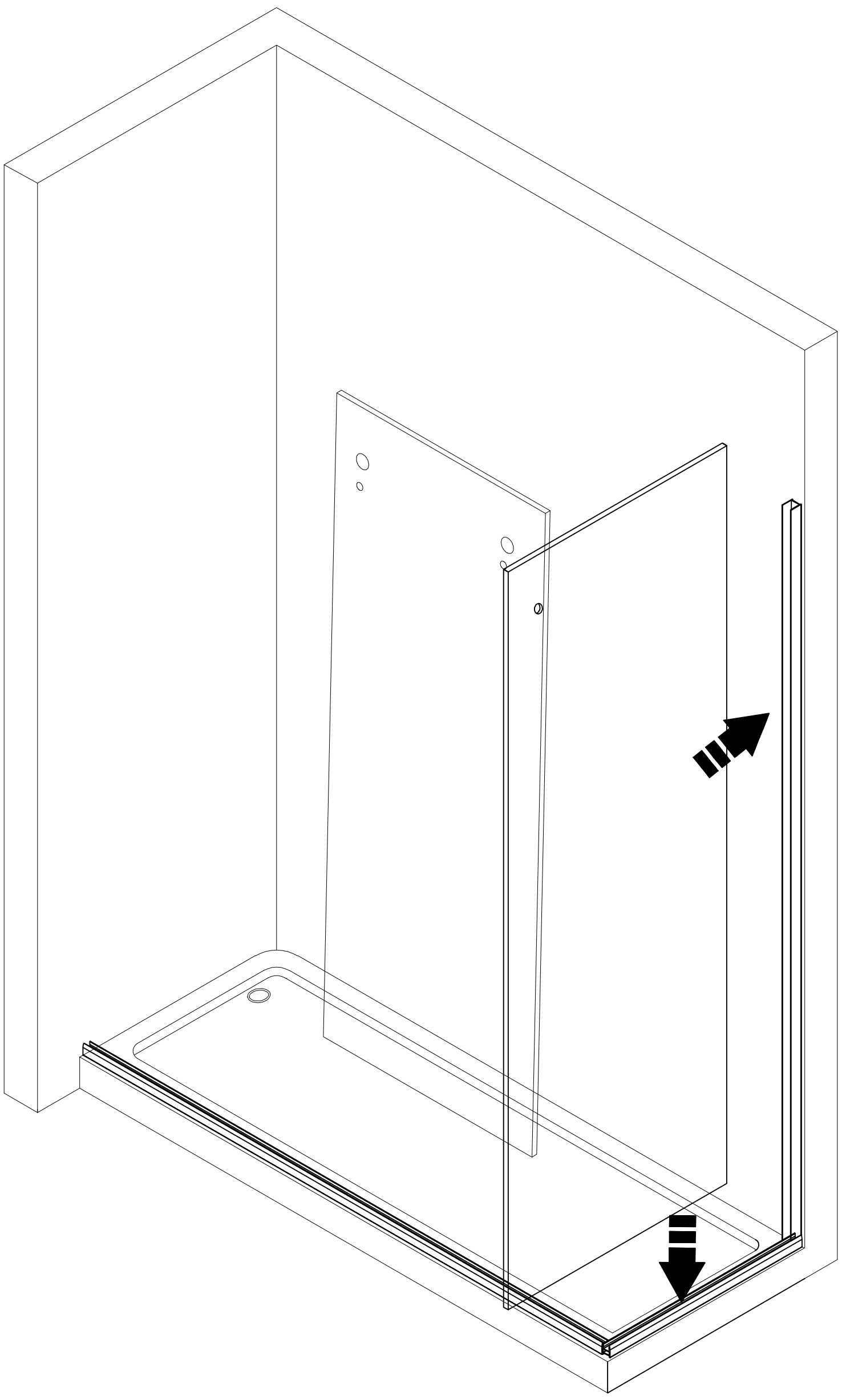


4

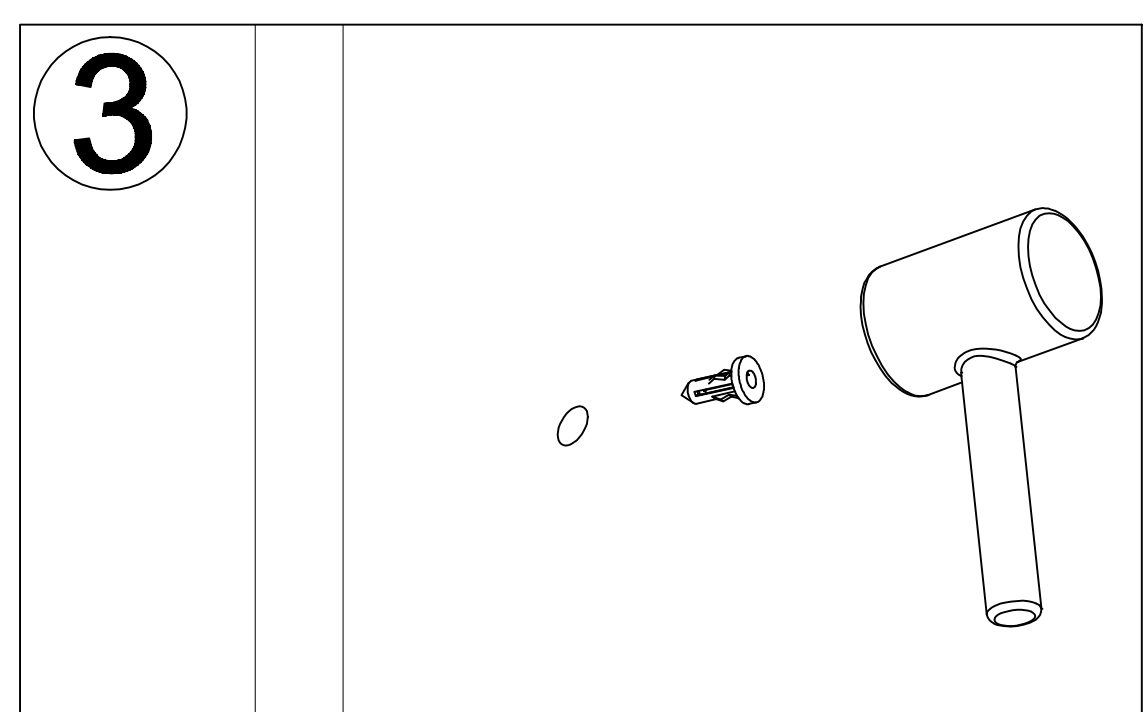
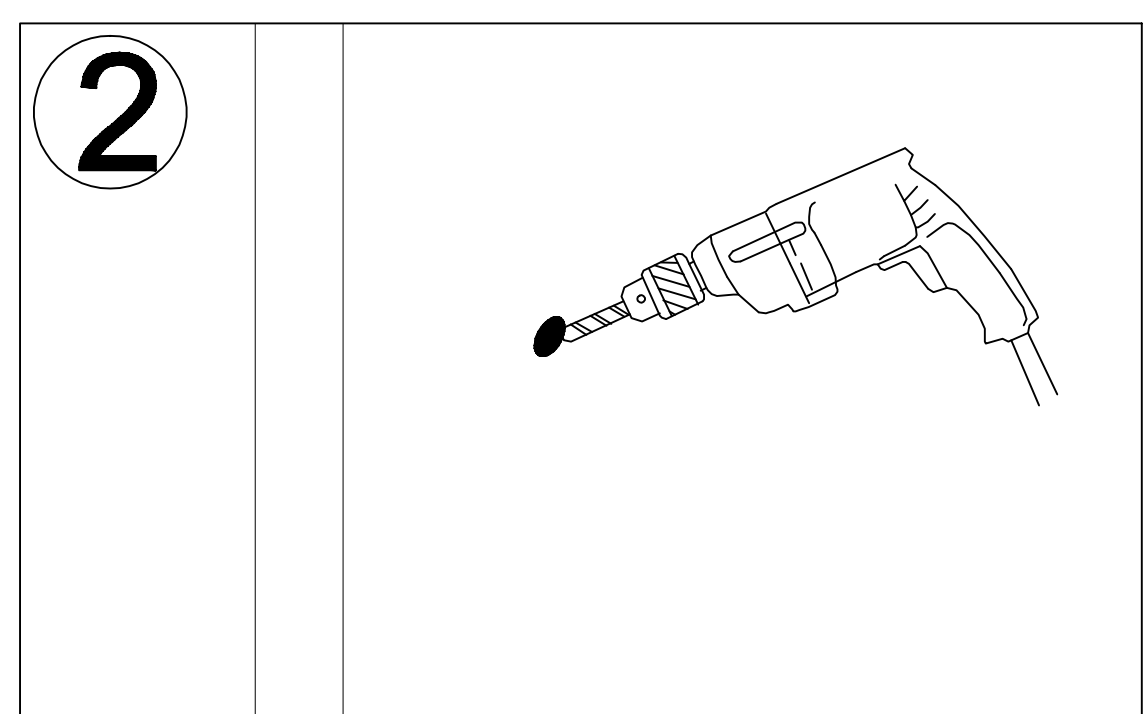
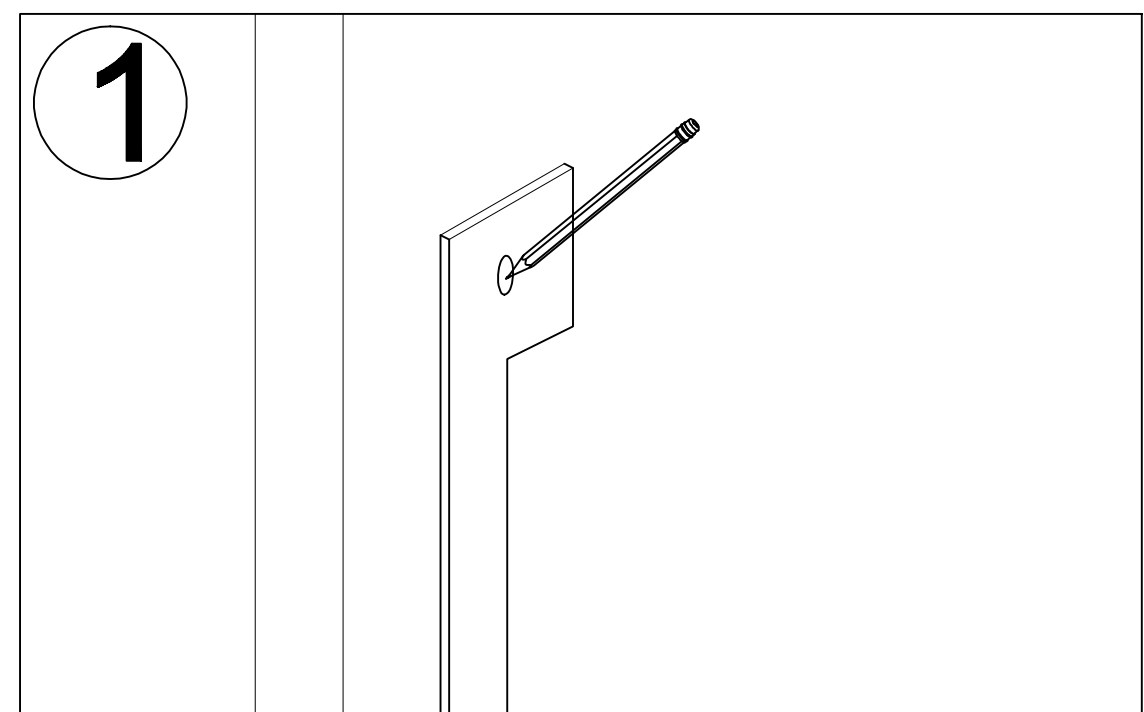
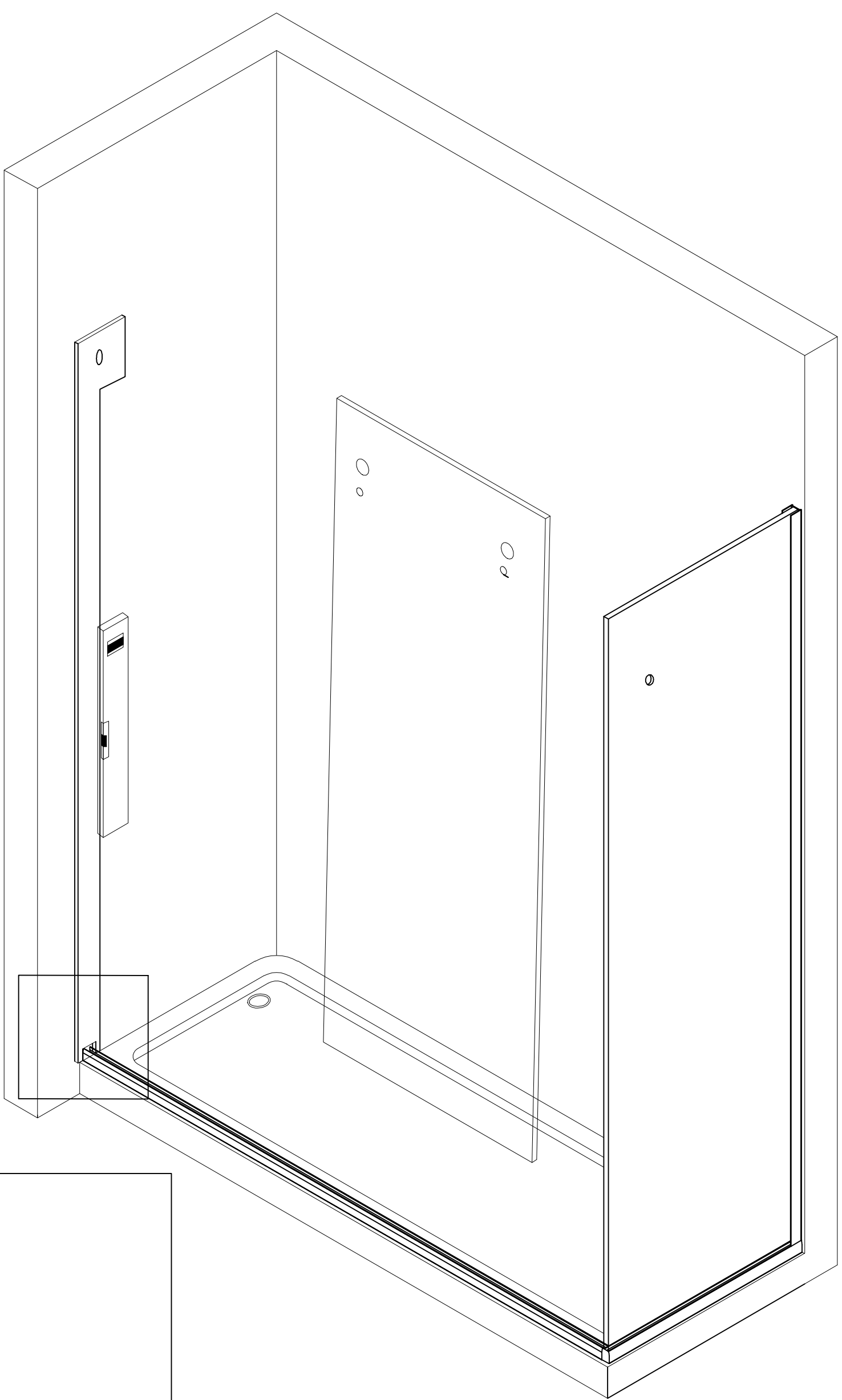


5

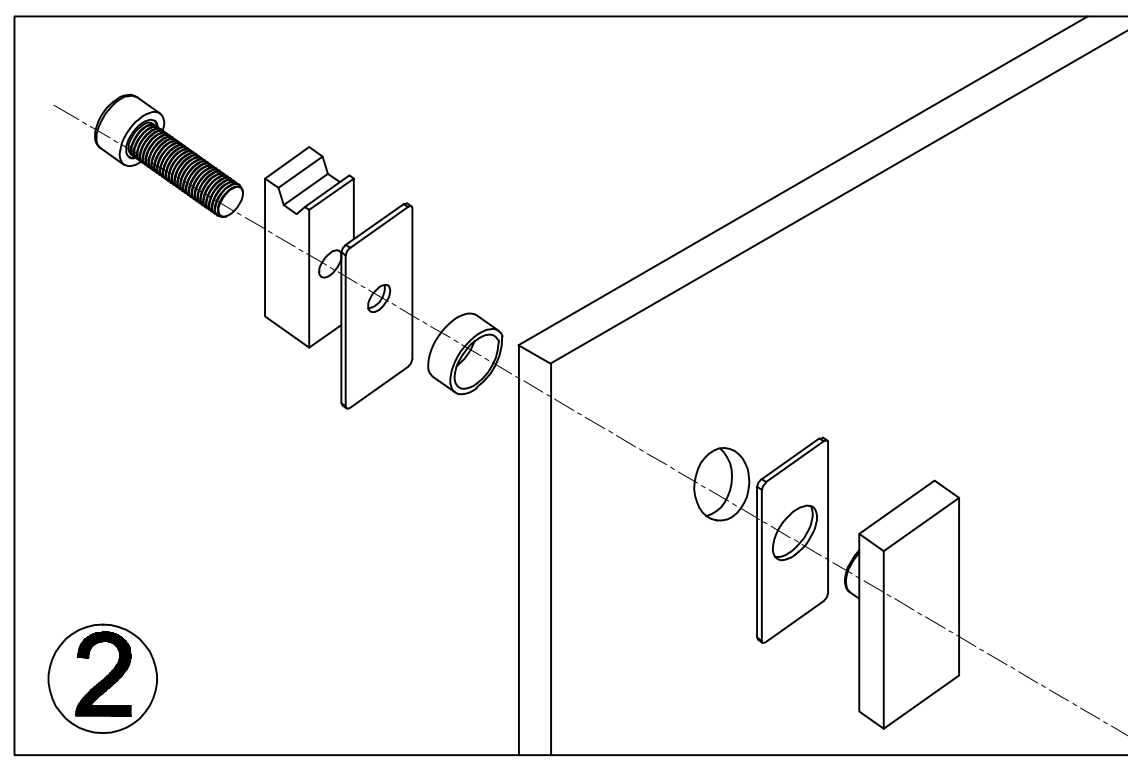
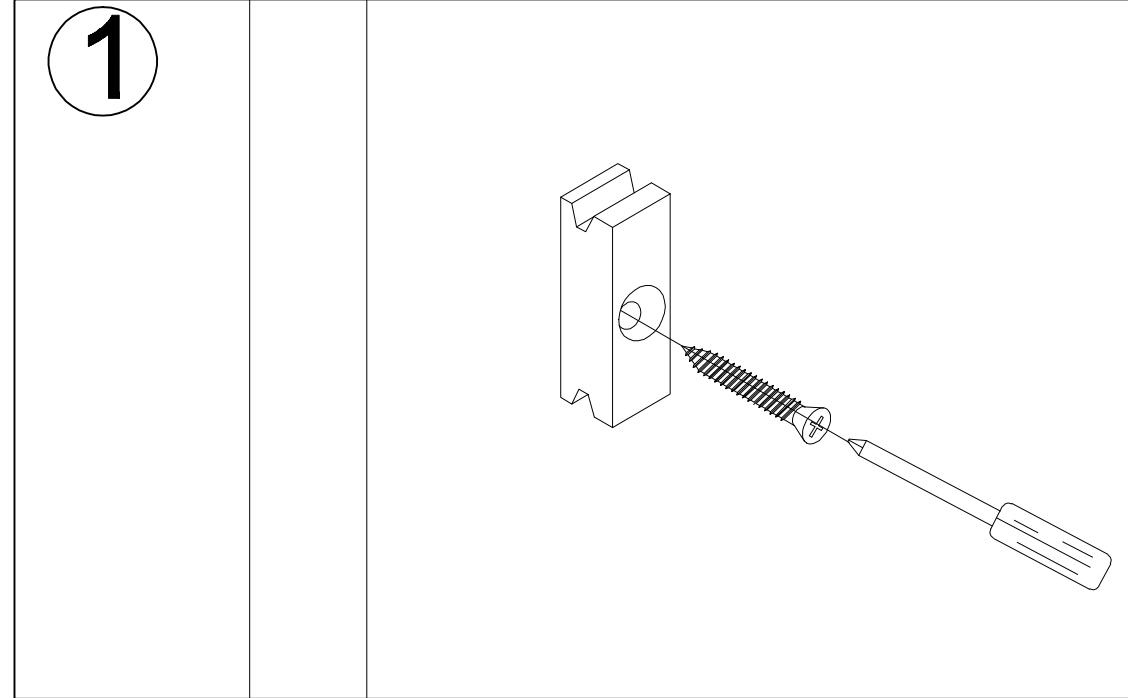
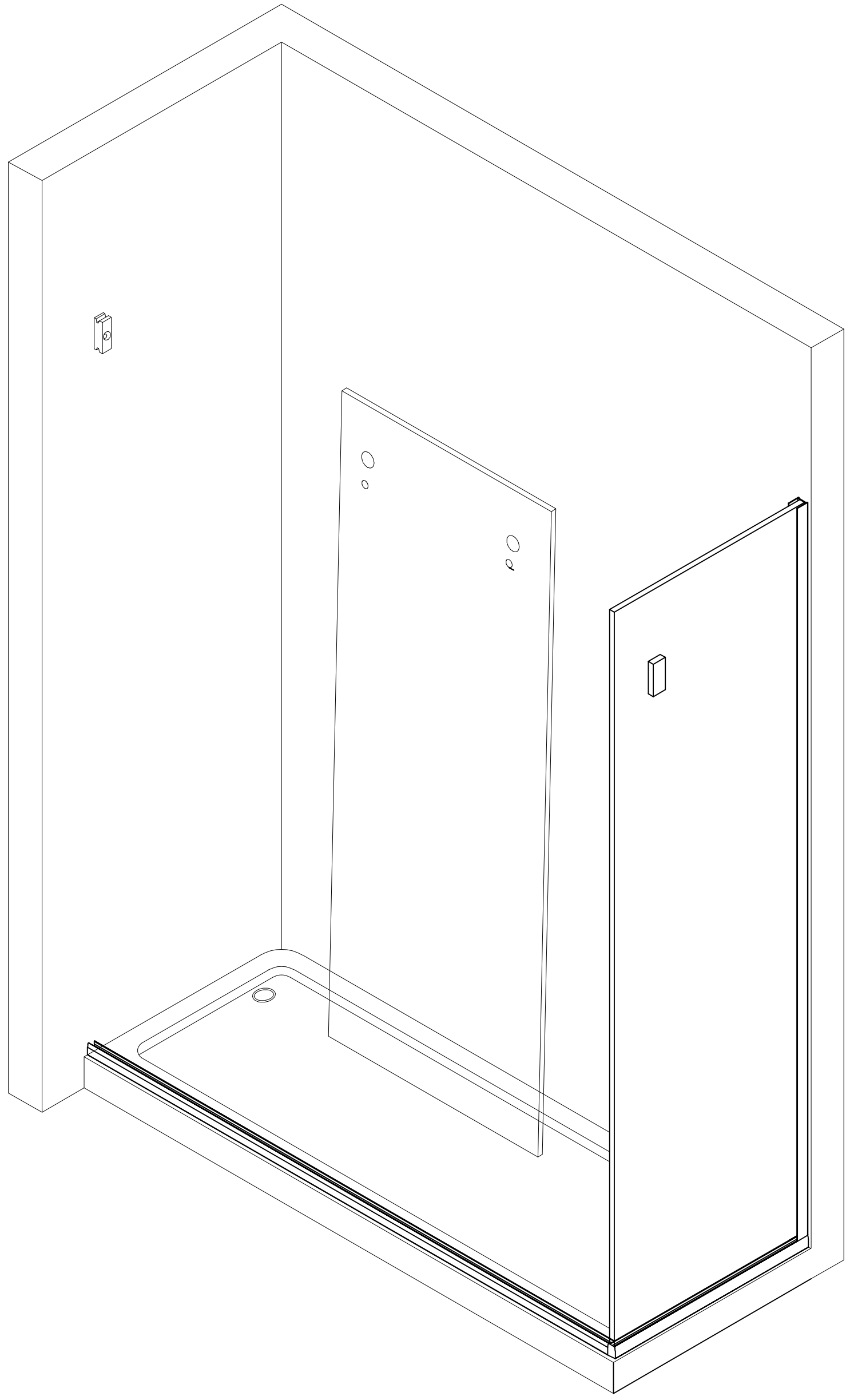
5



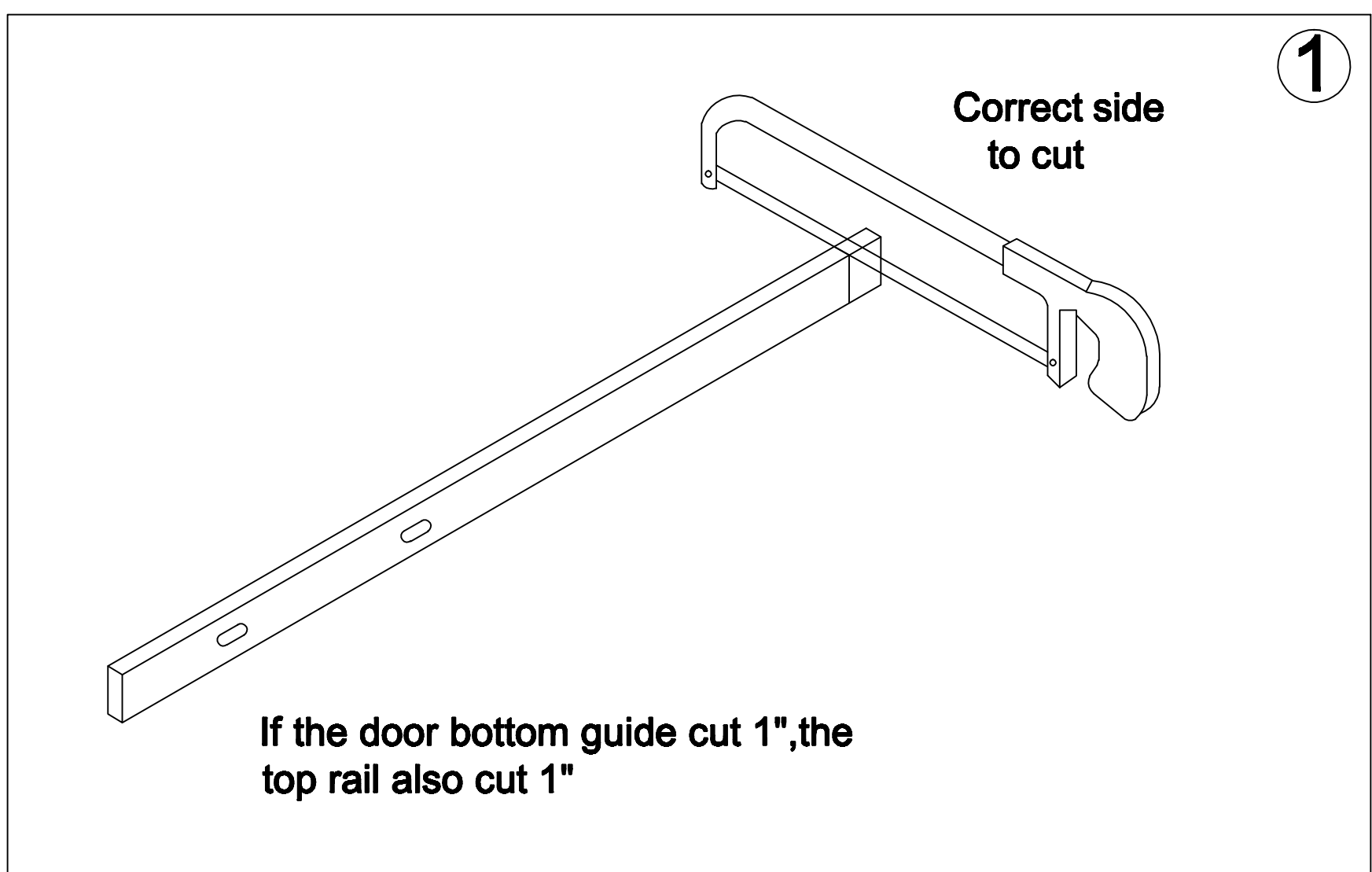
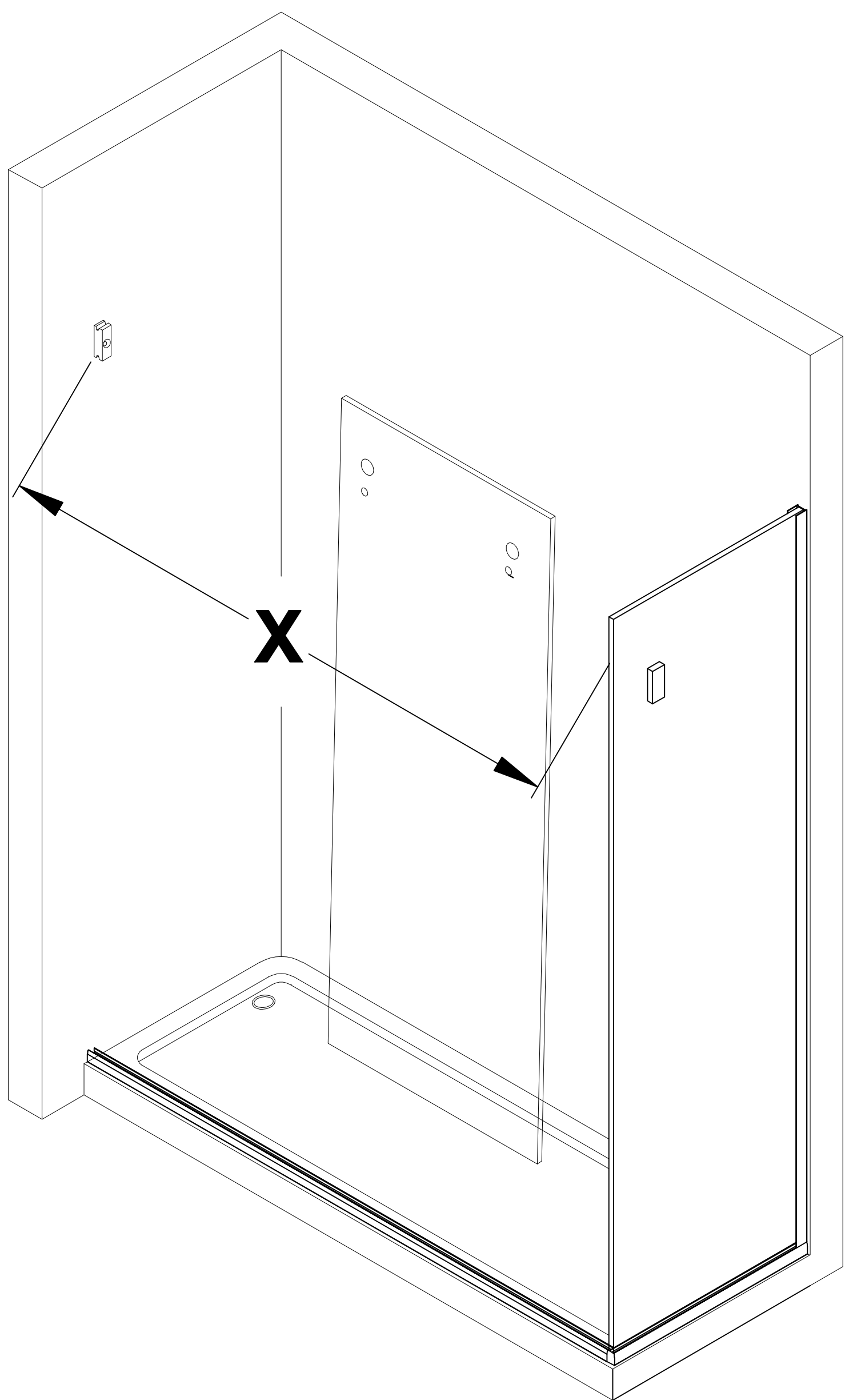
6



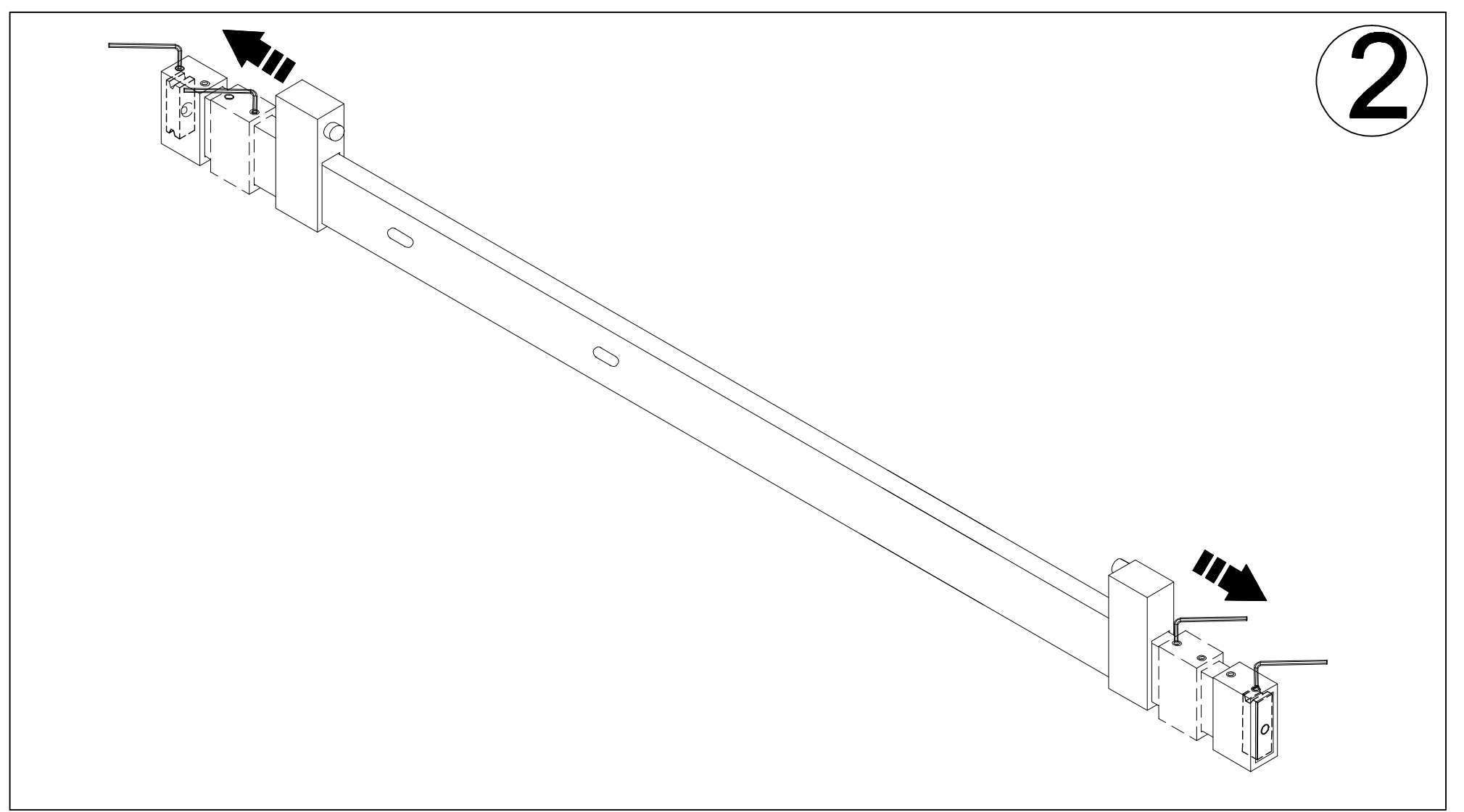
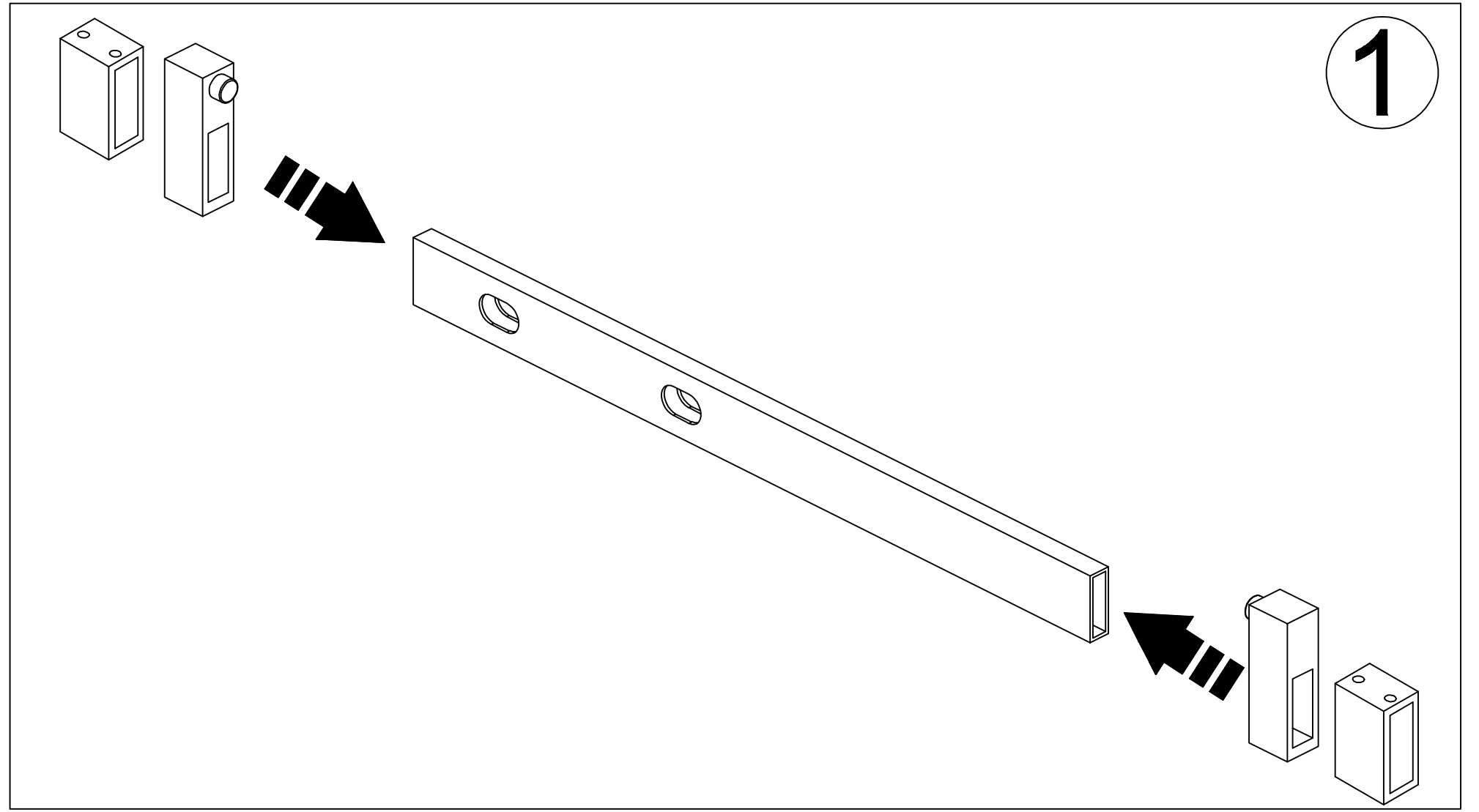
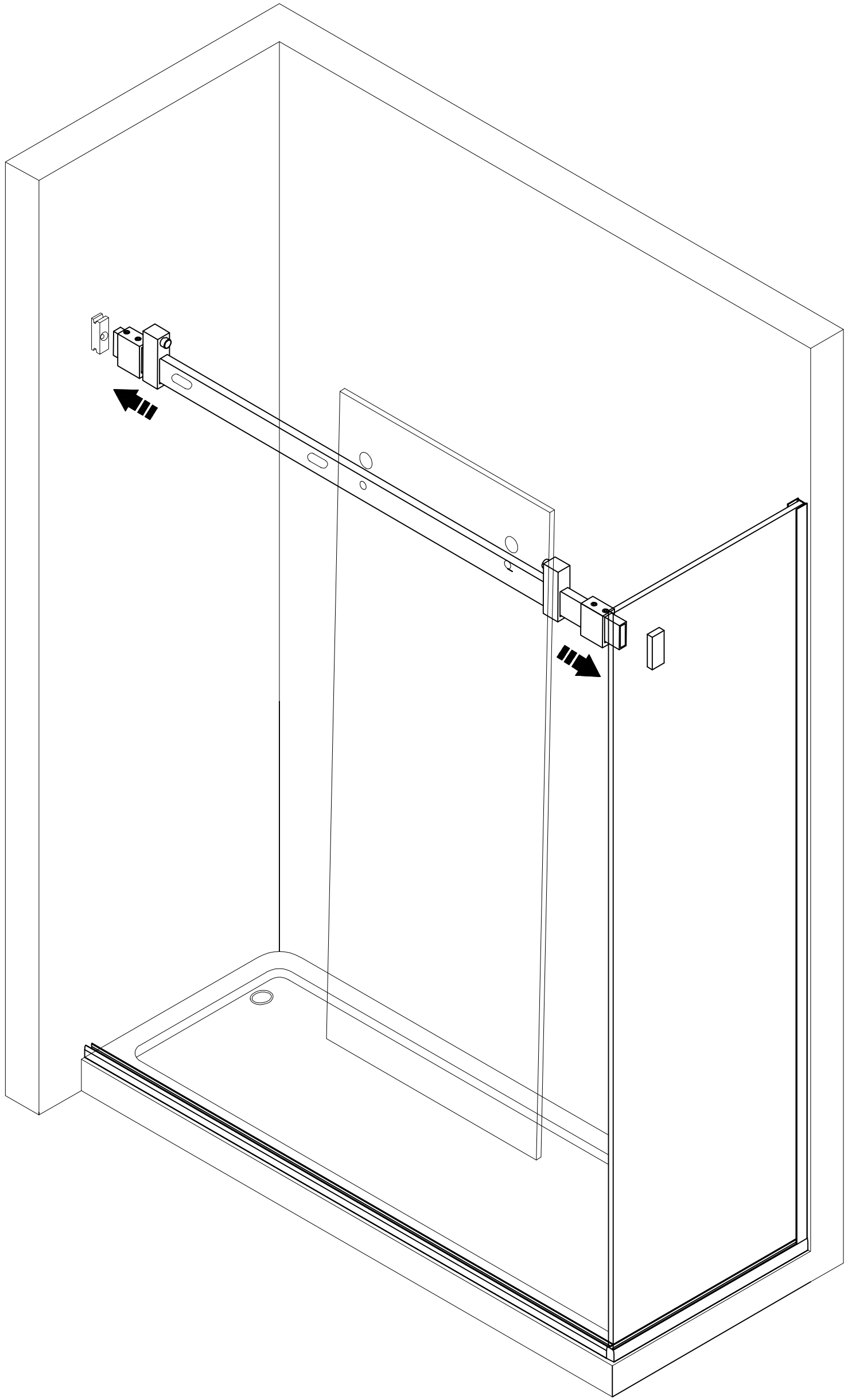
7



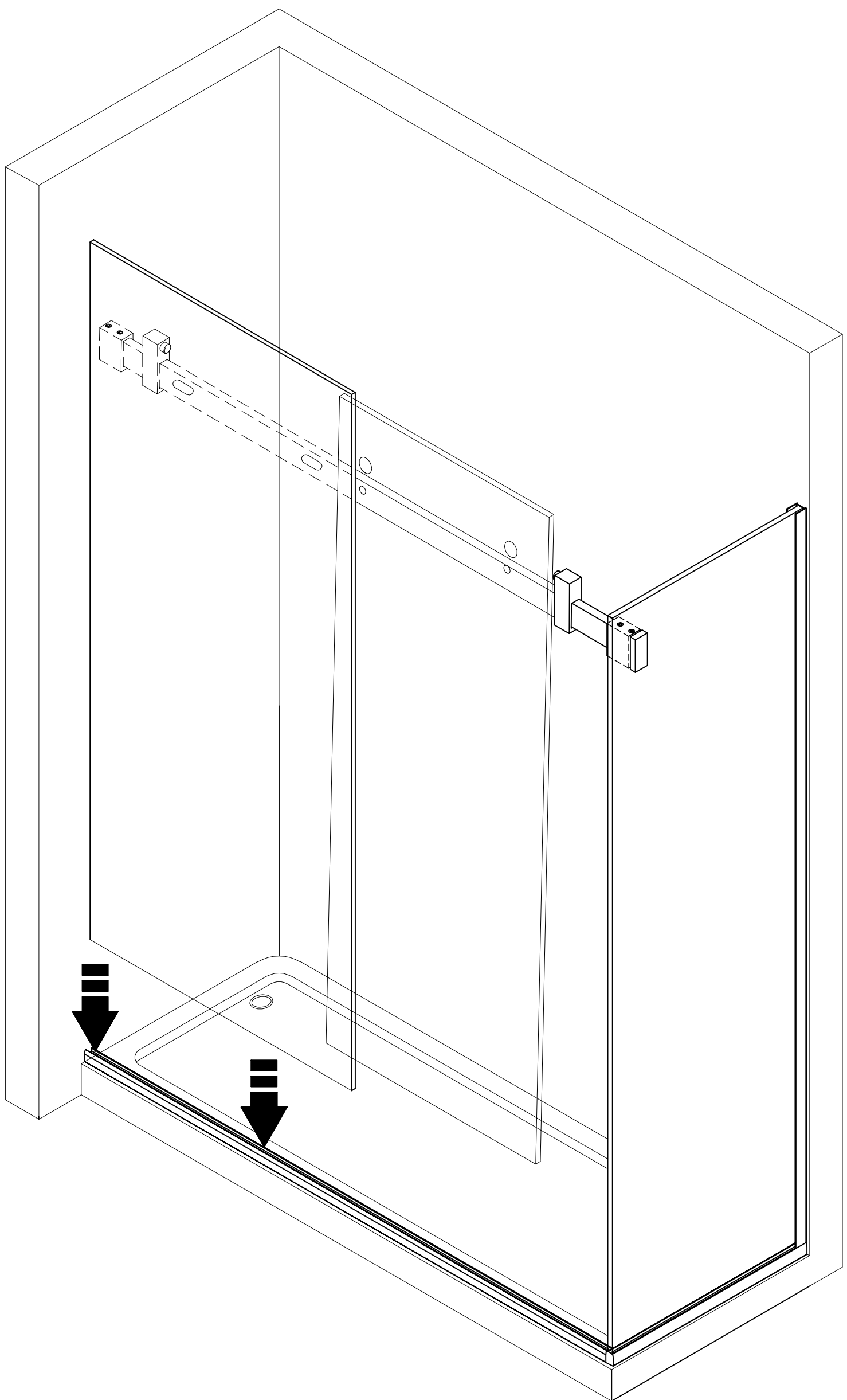
8



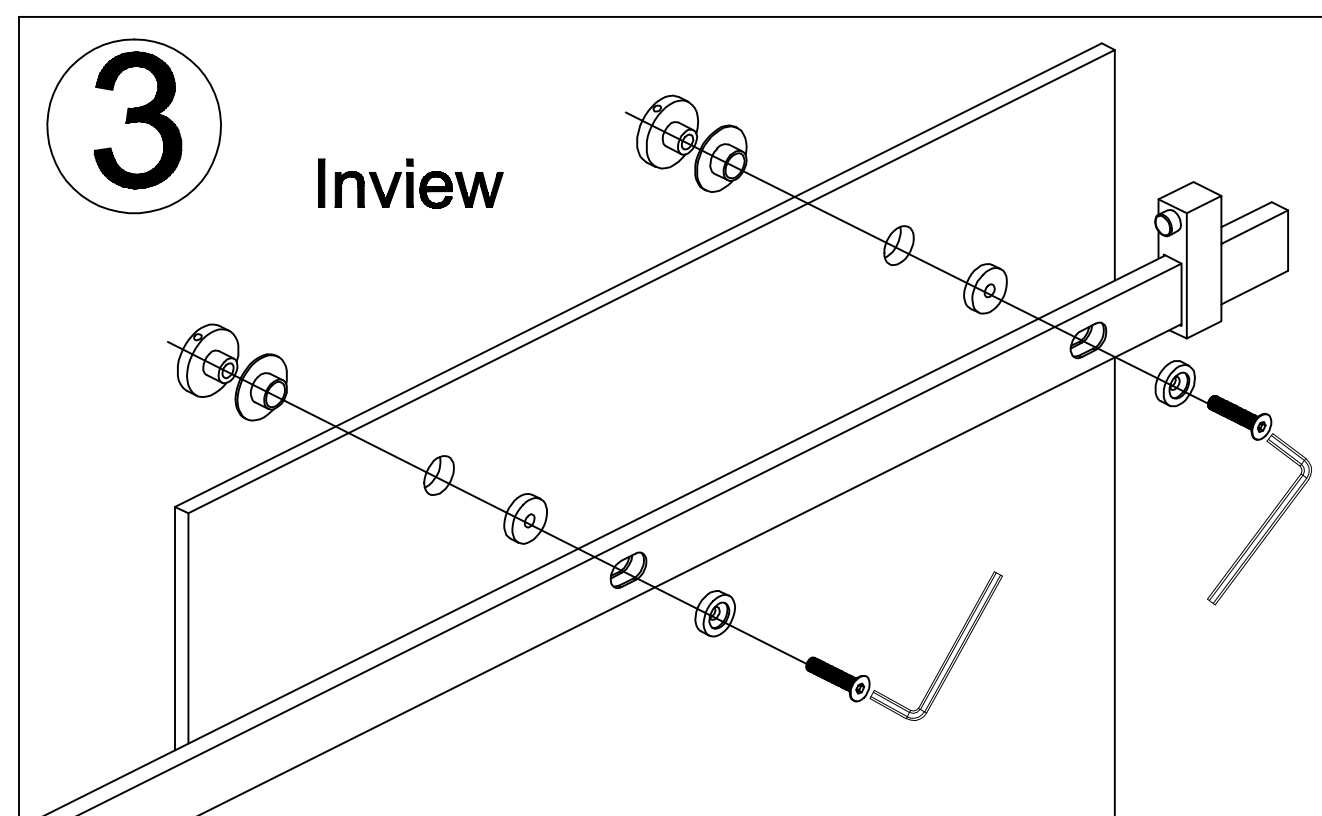
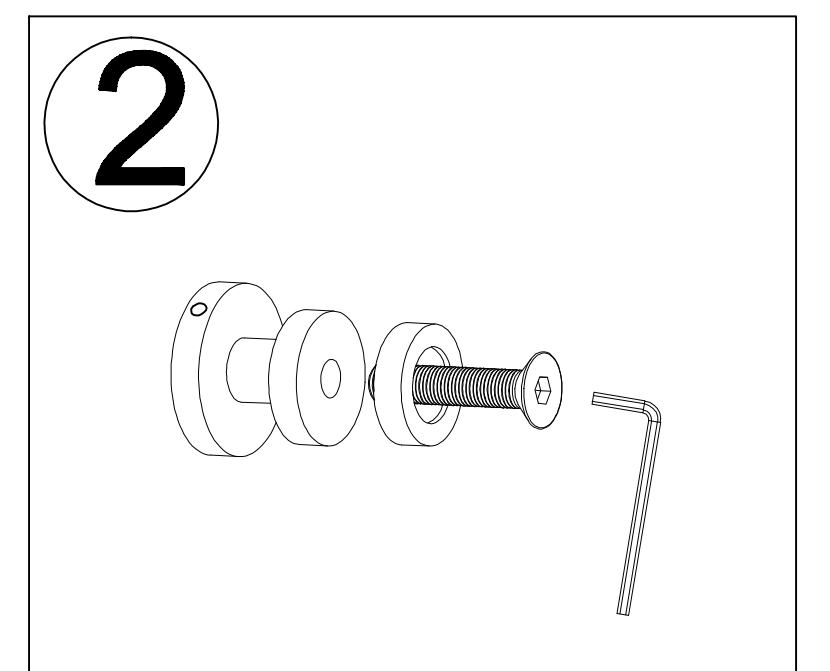
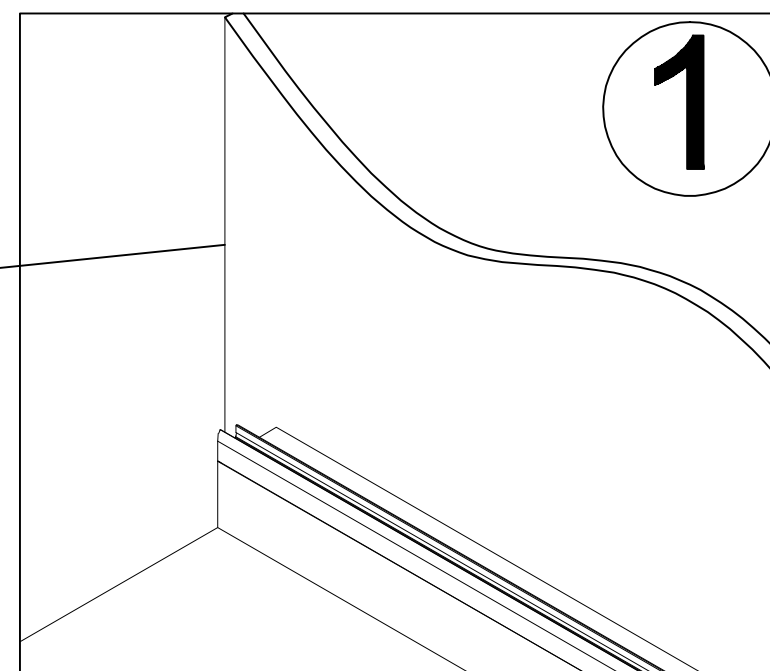
9



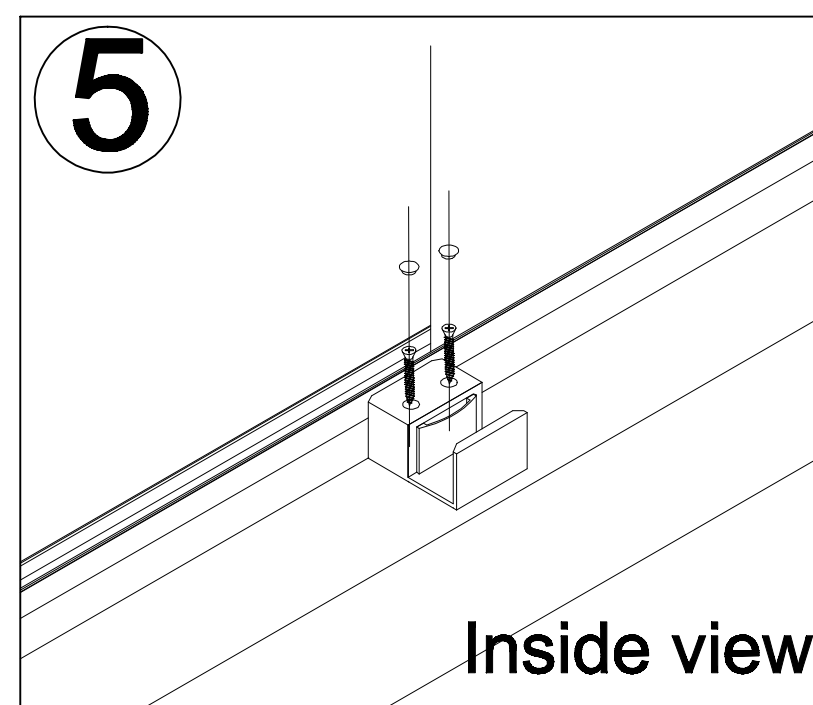
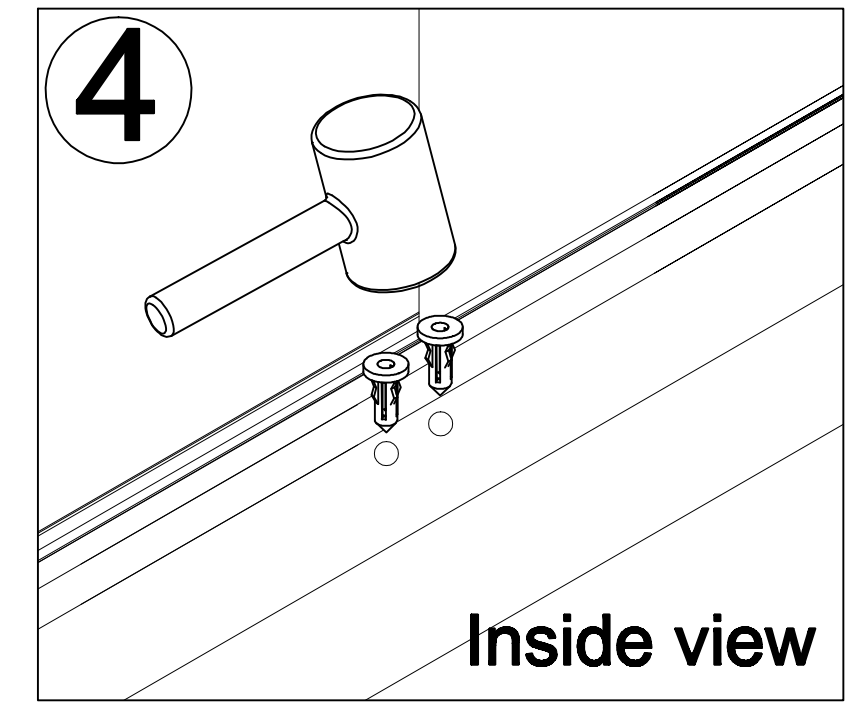
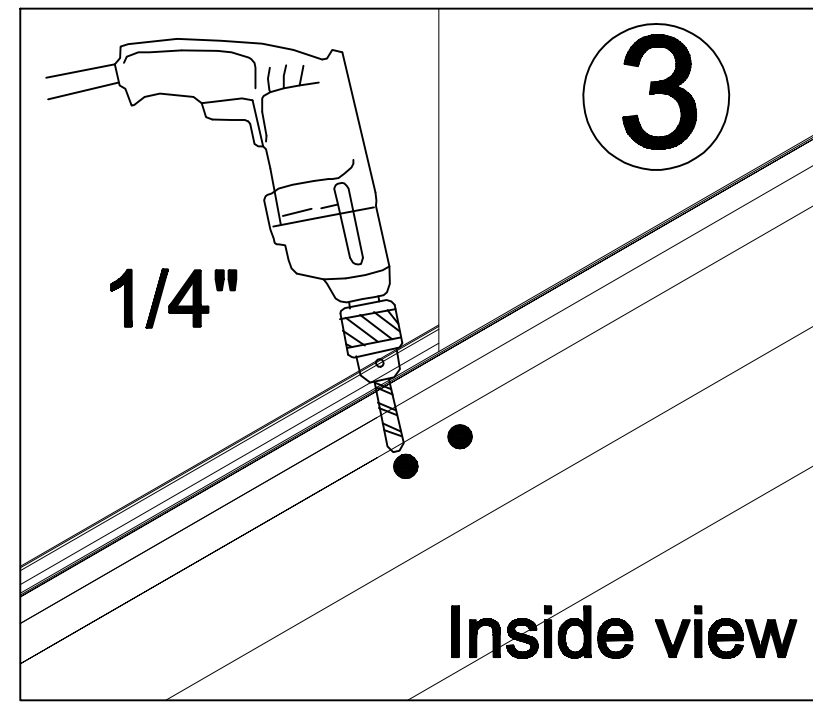
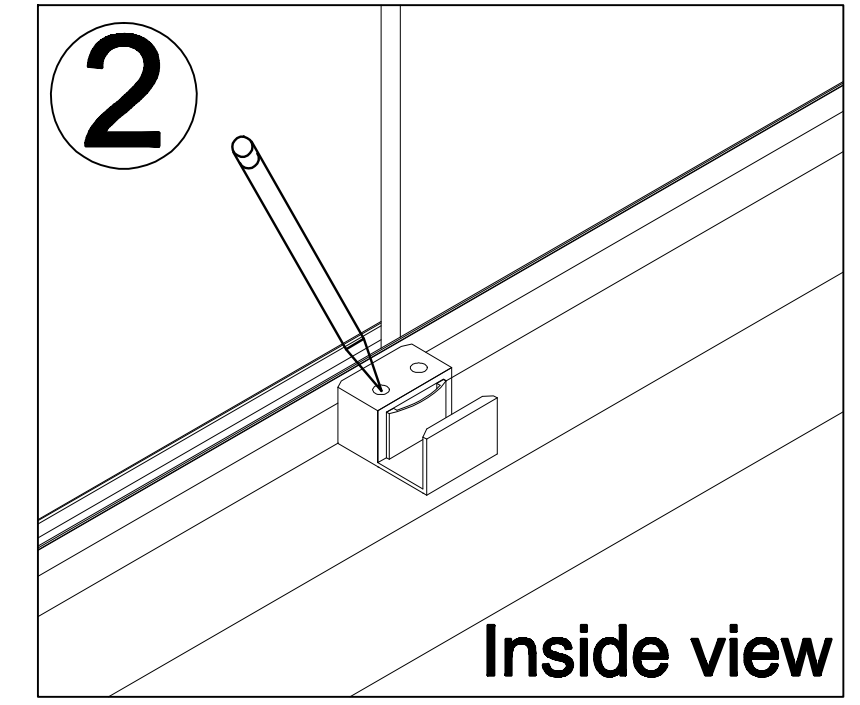
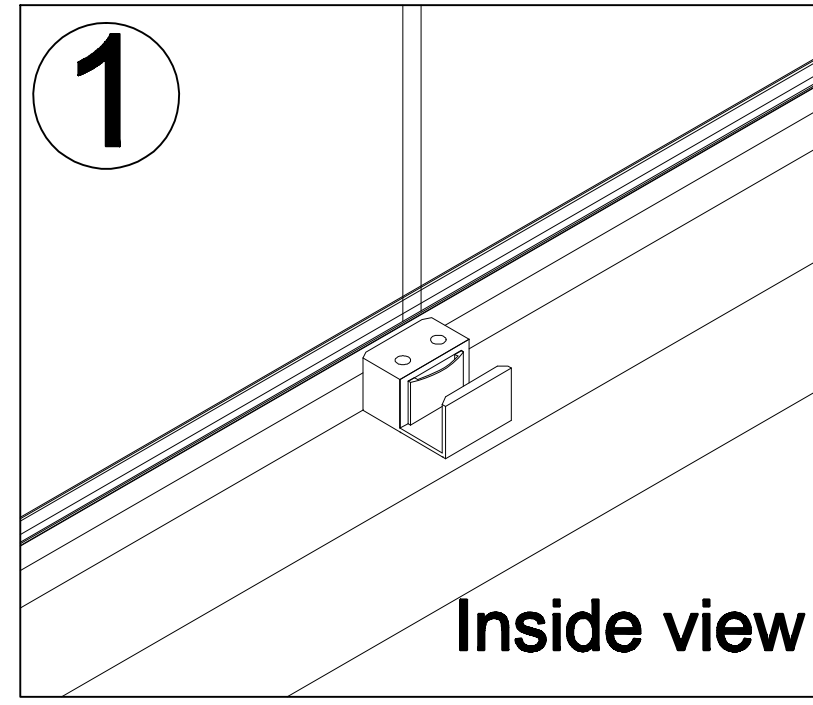
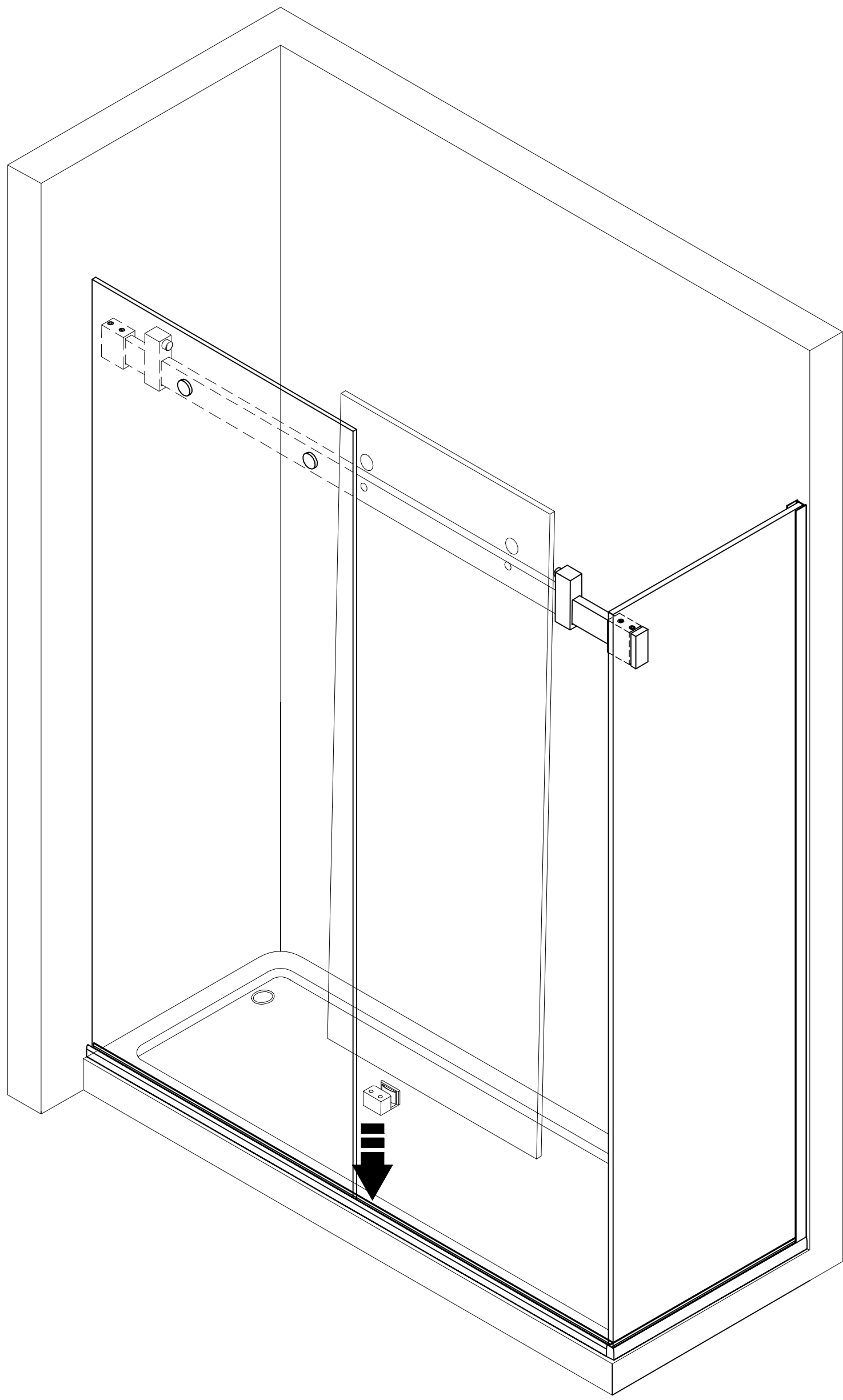
10



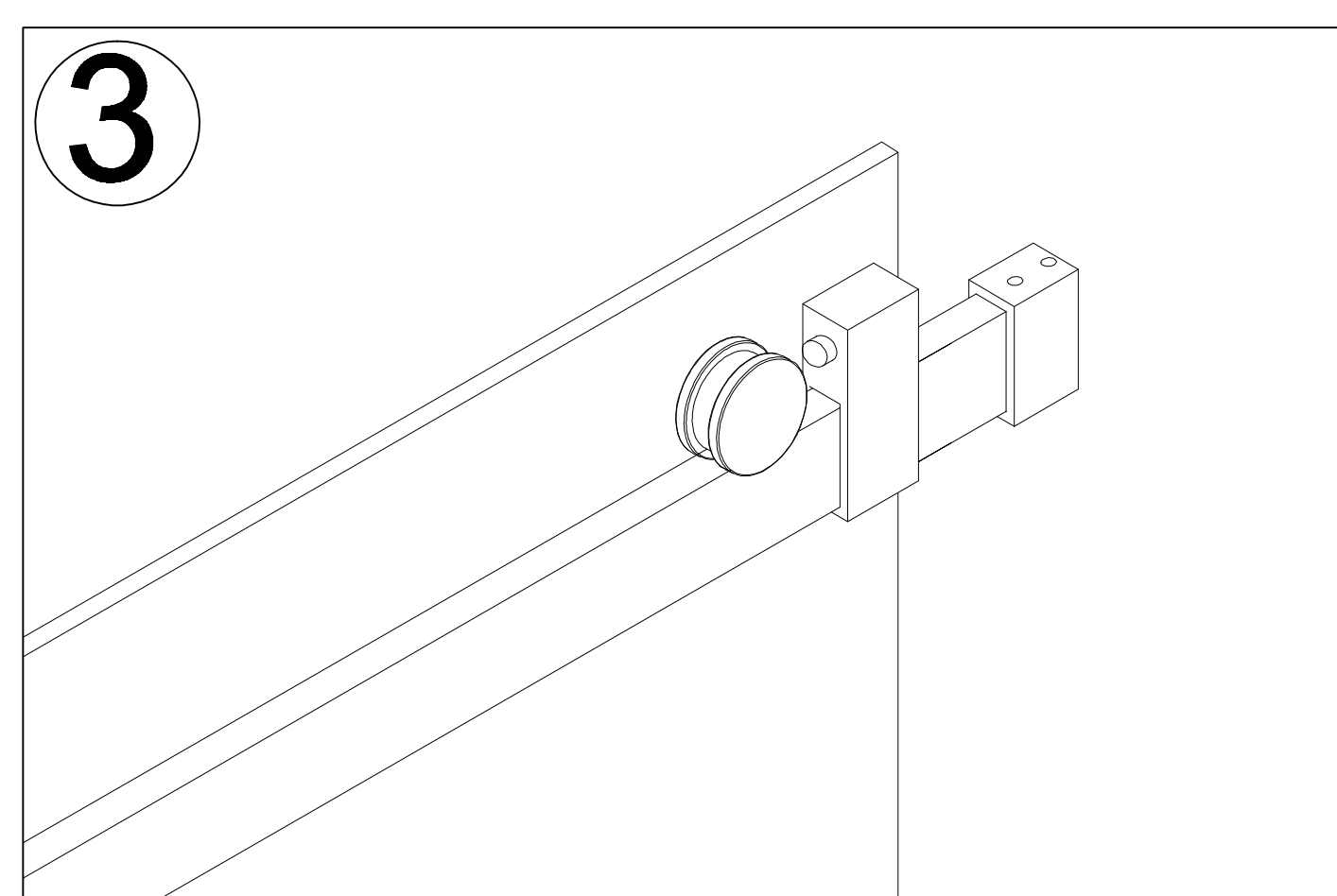
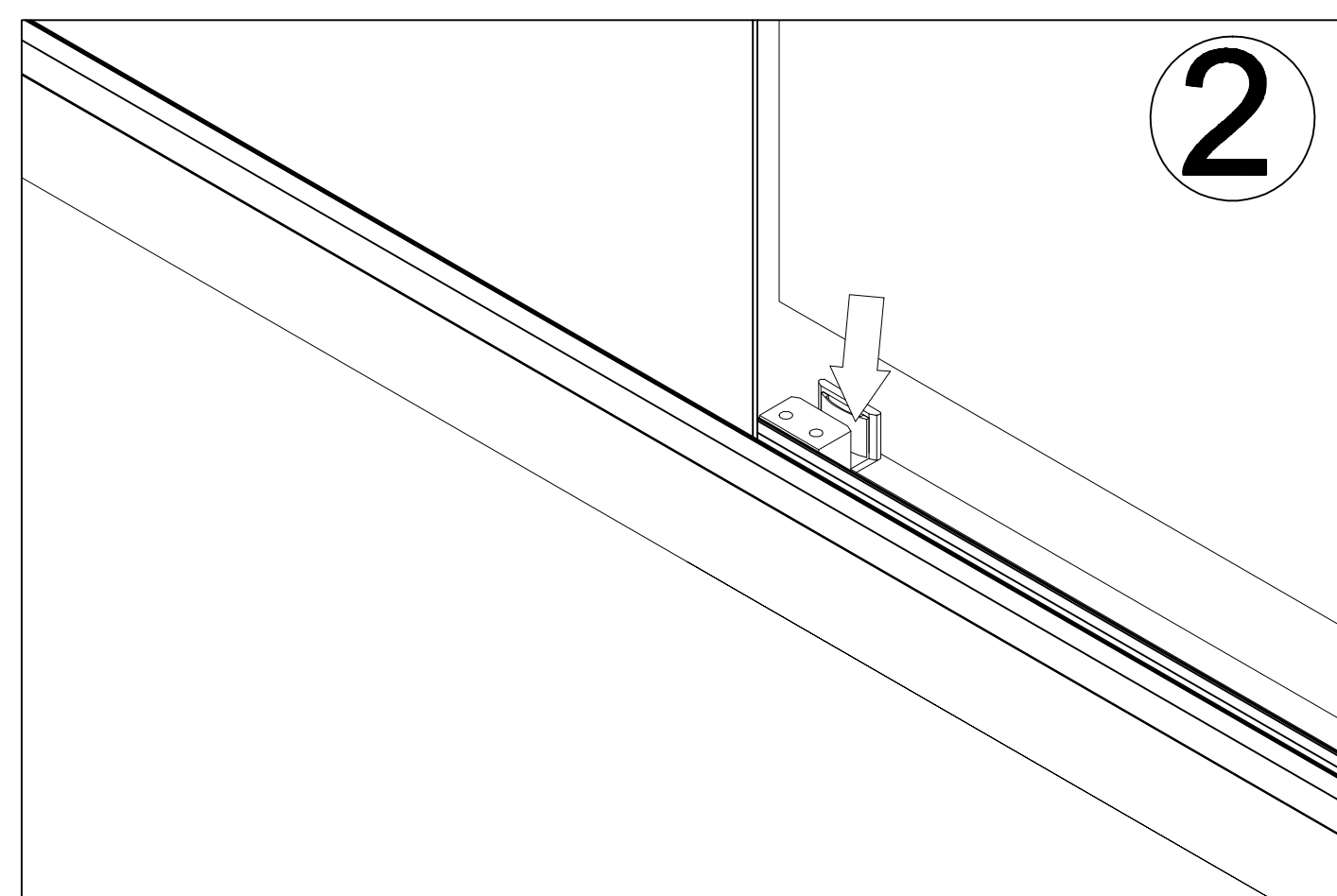
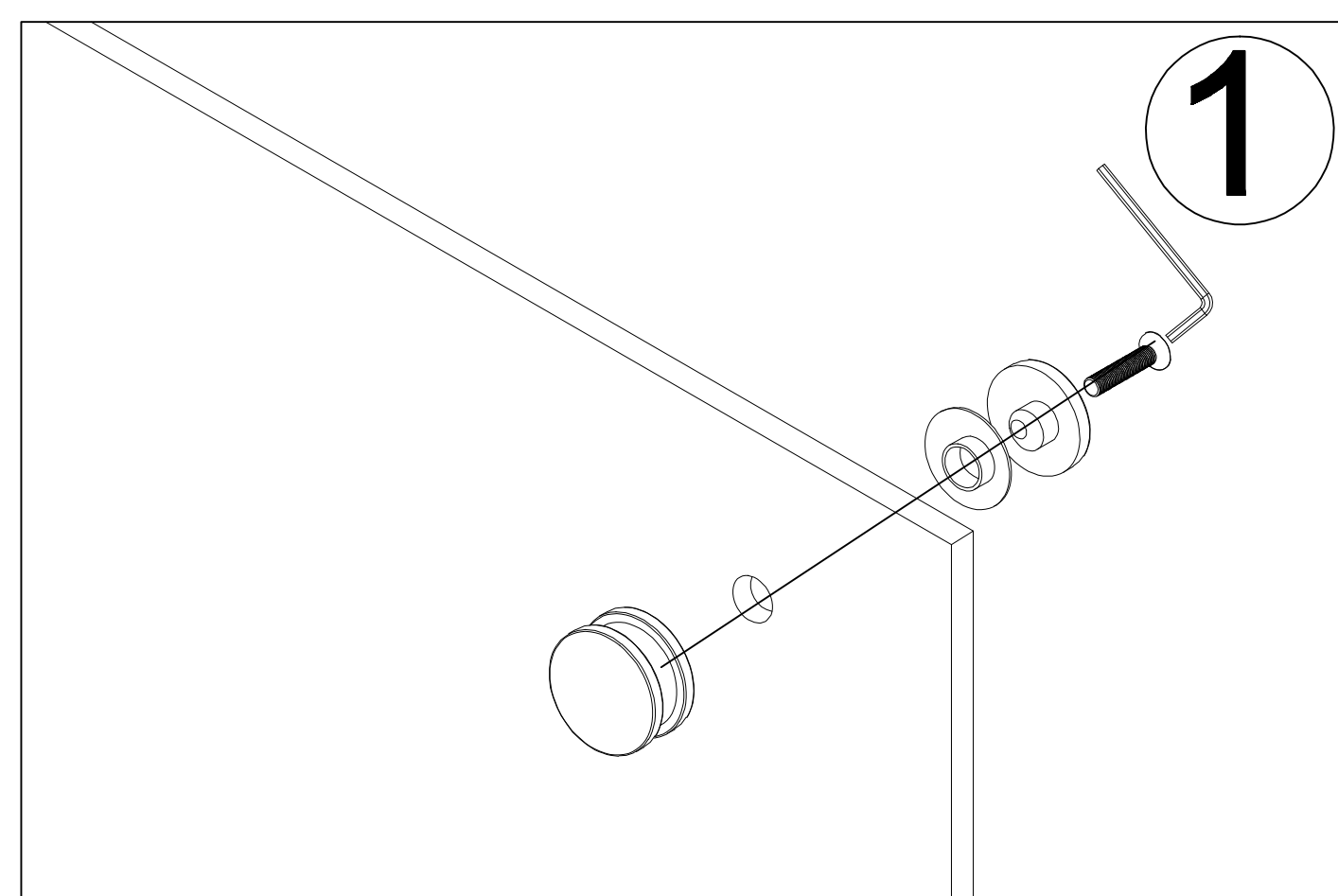
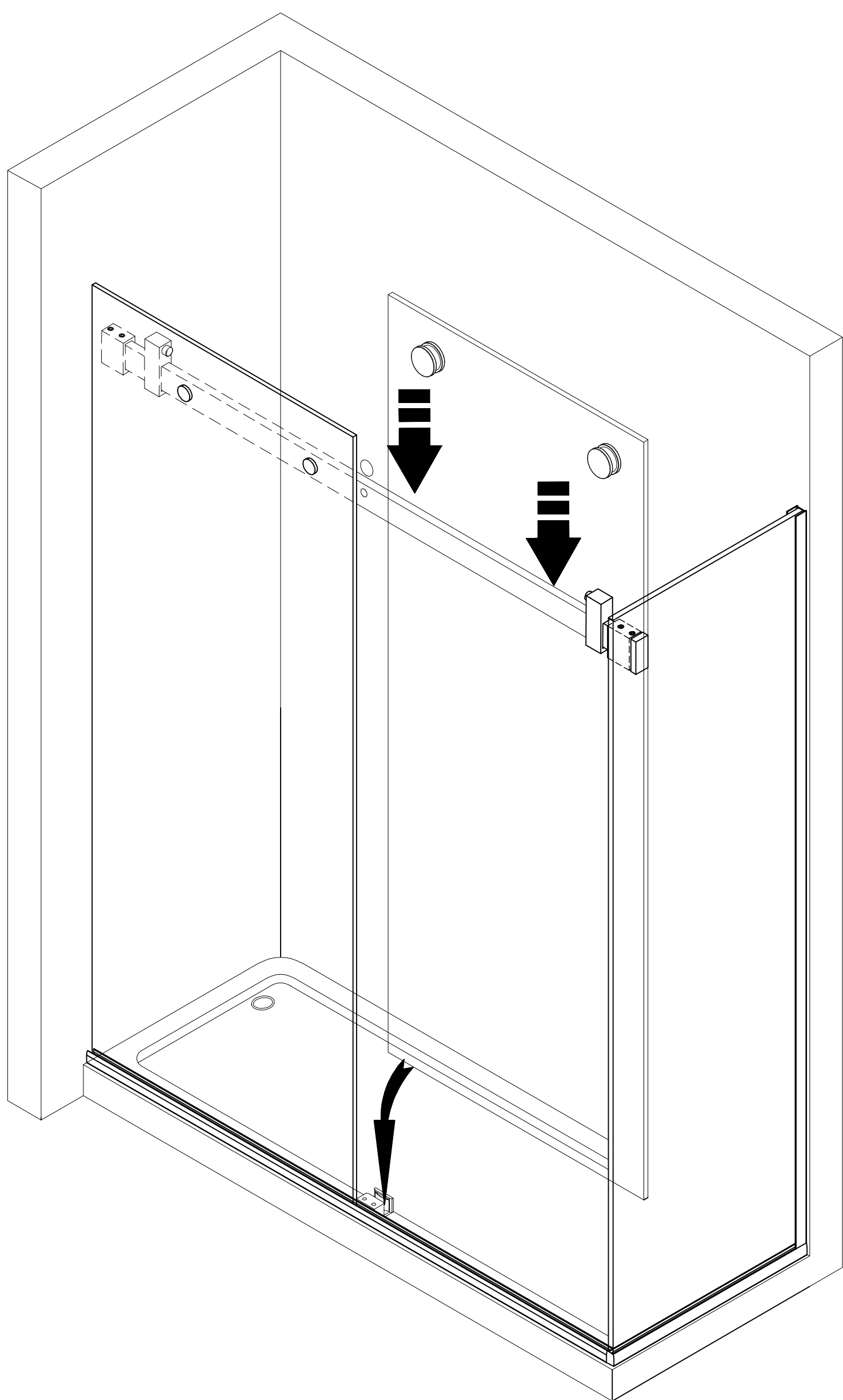
The Fix Panel should be placed as close to the wall.



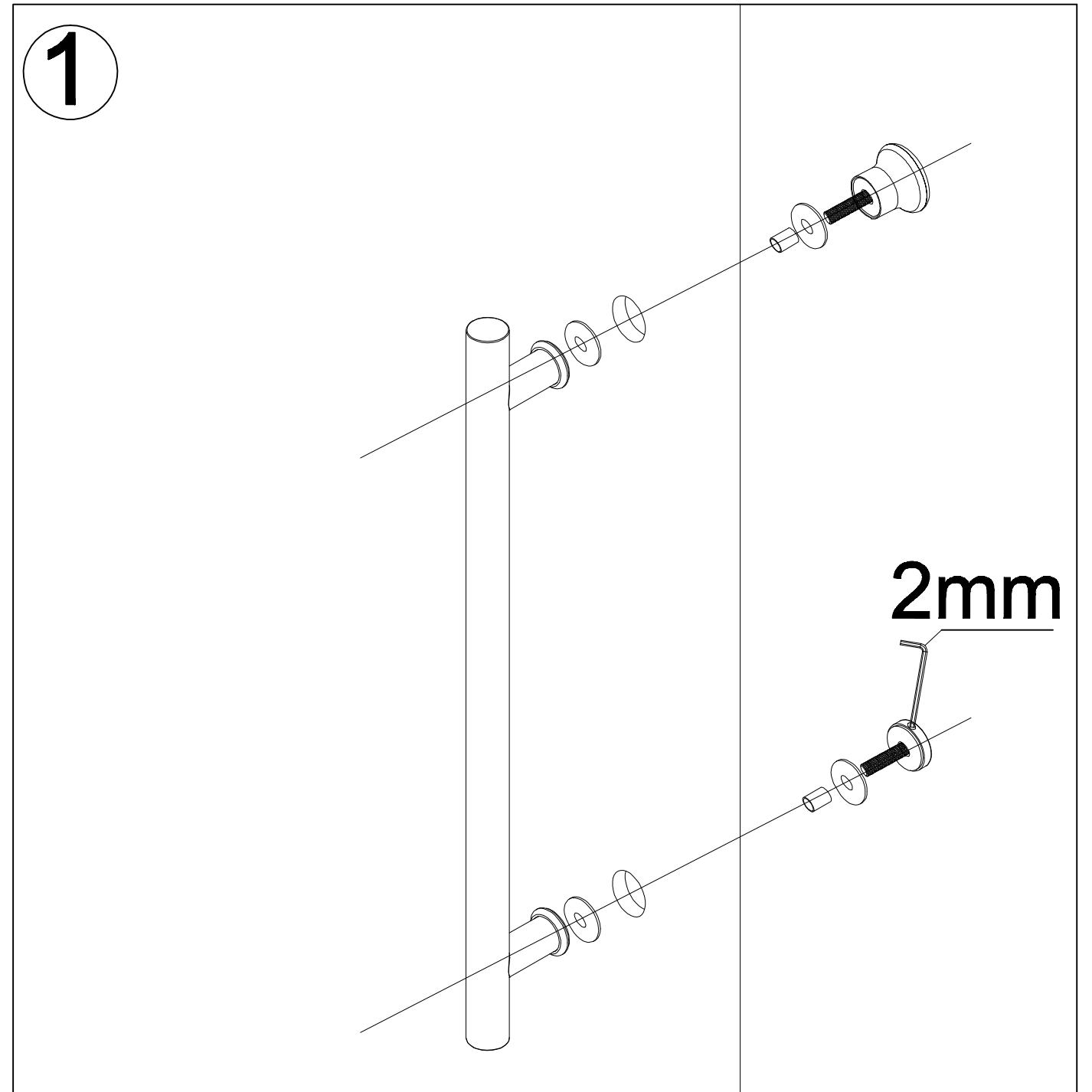
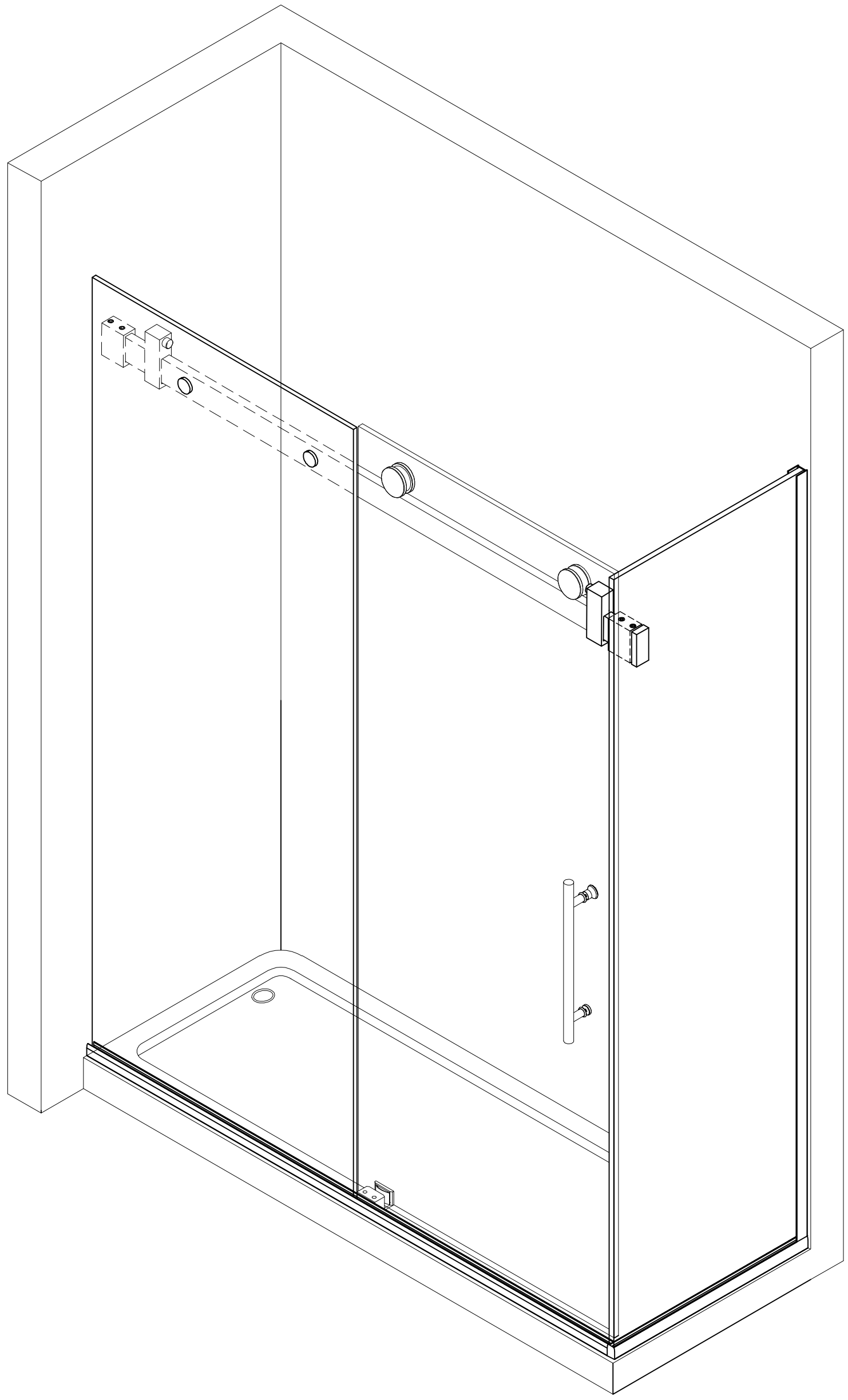
11



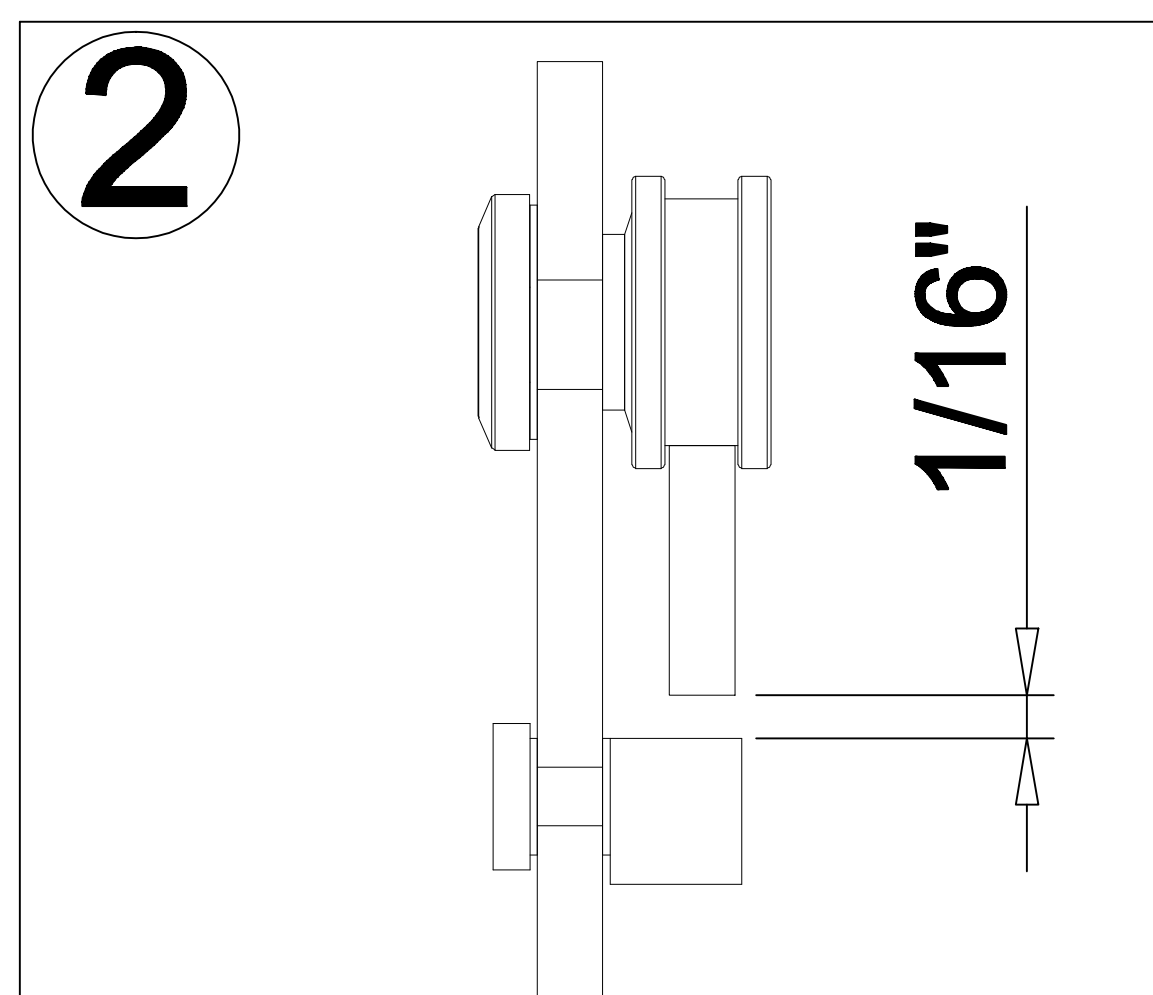
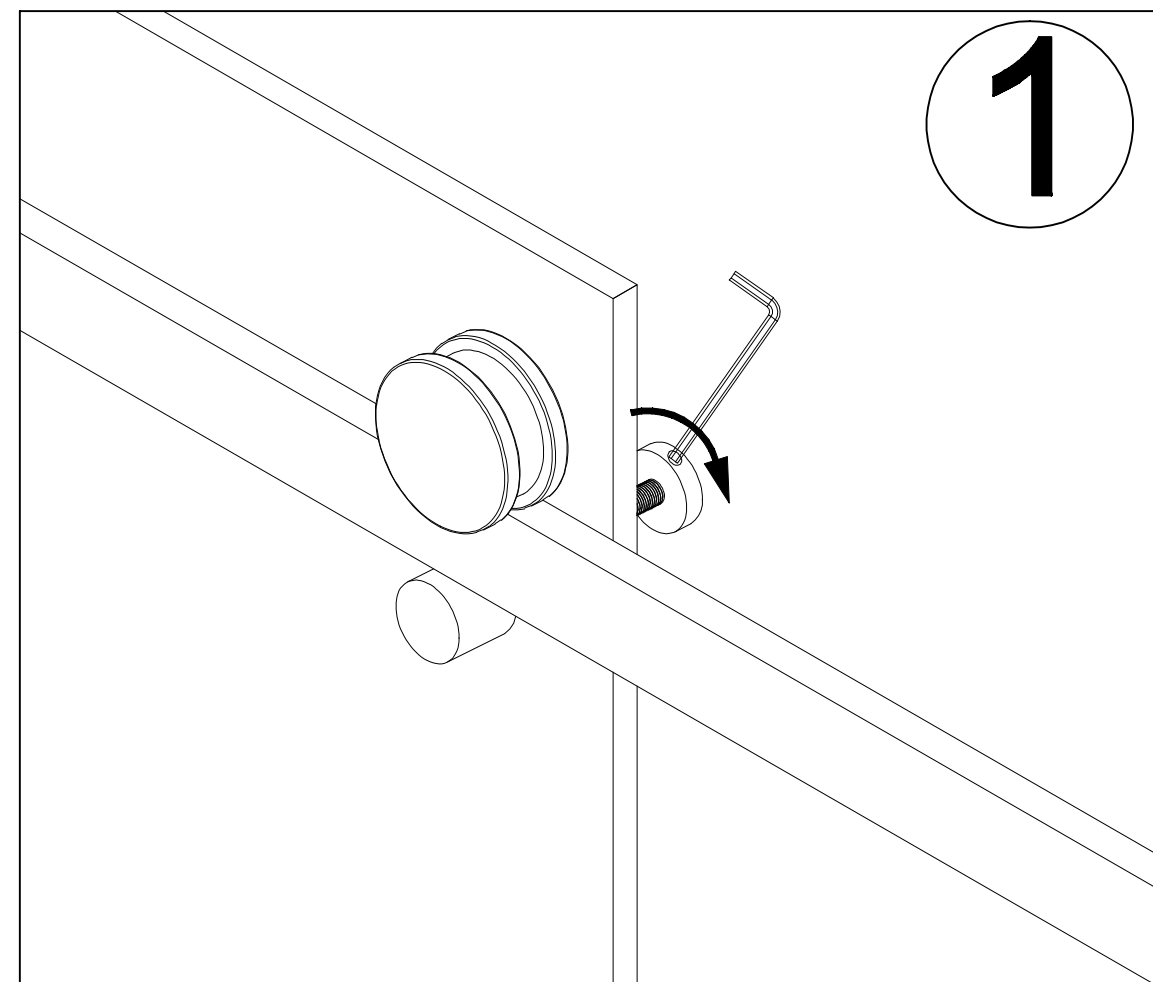
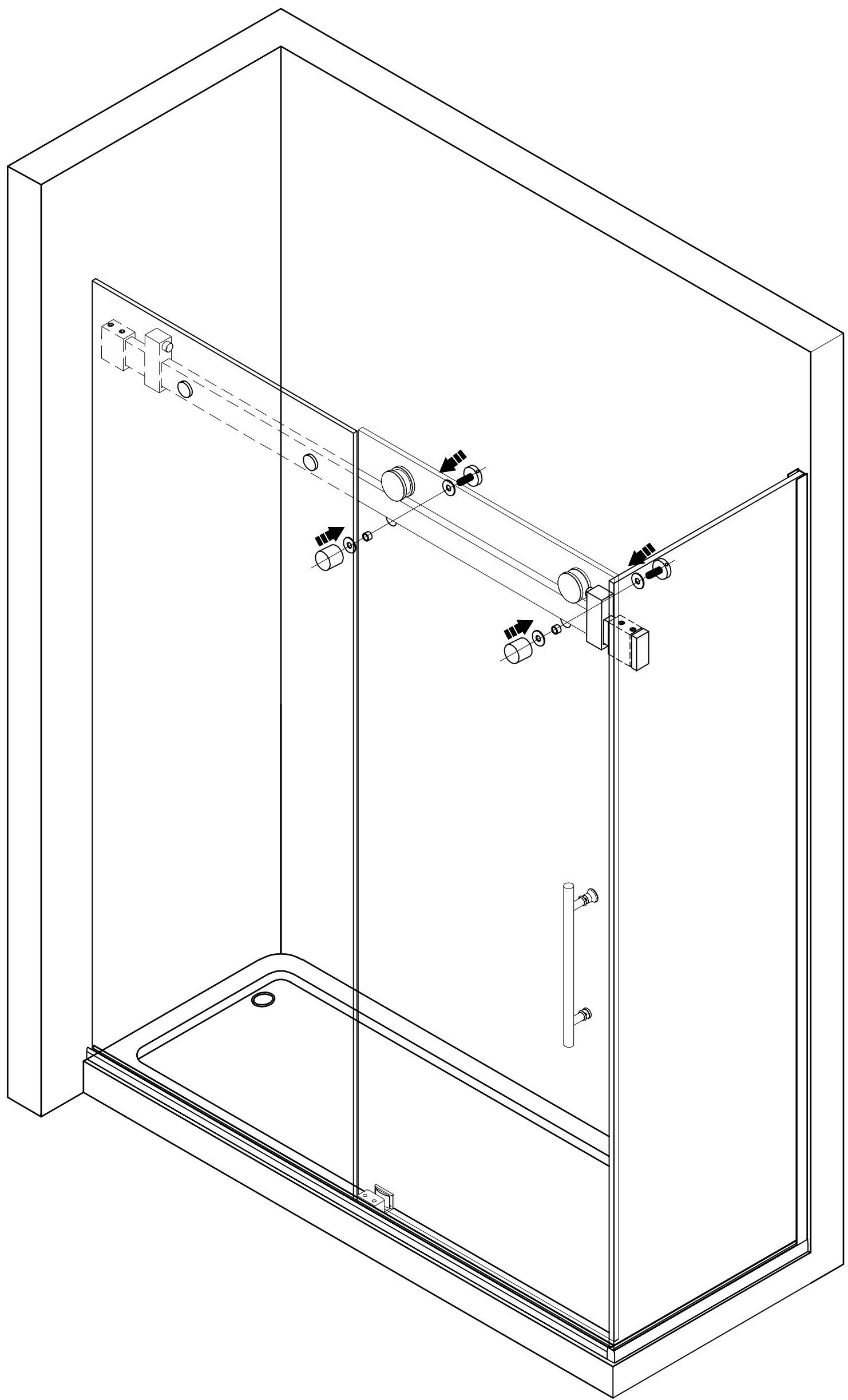
12



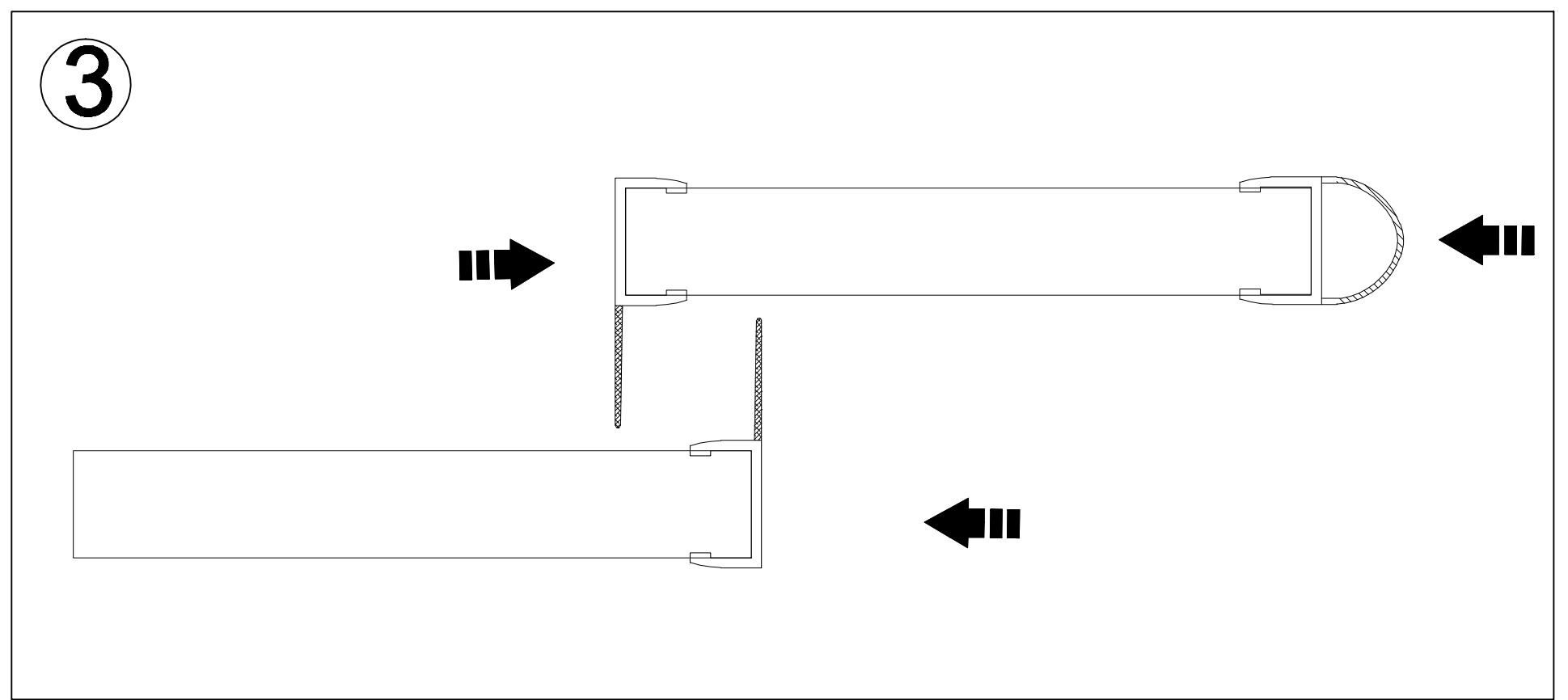
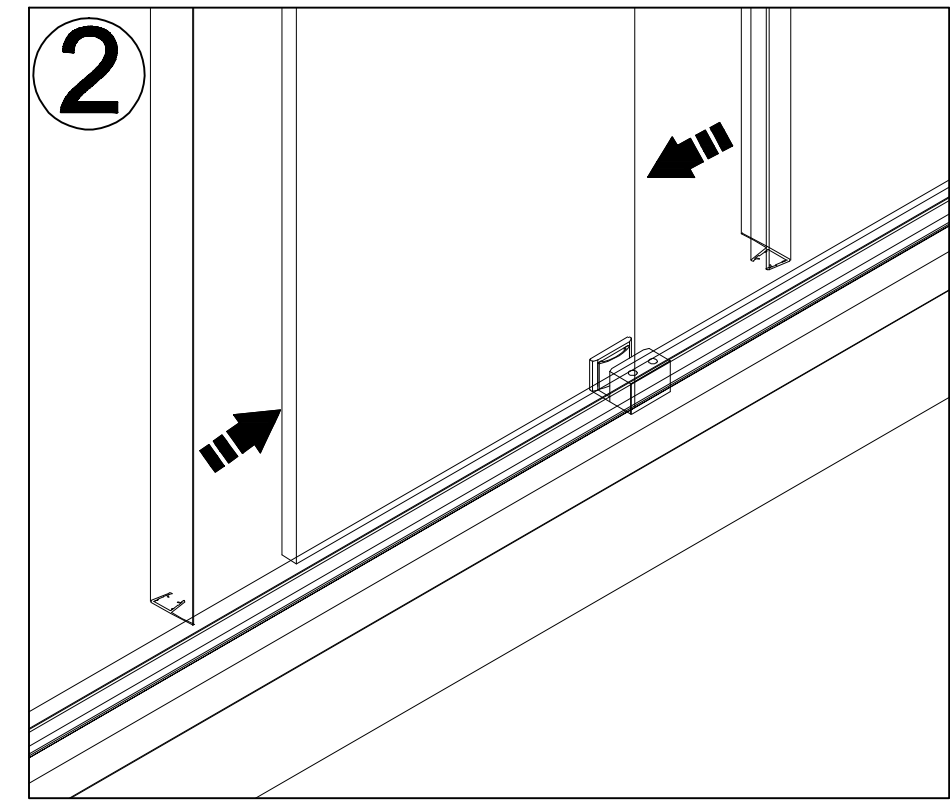
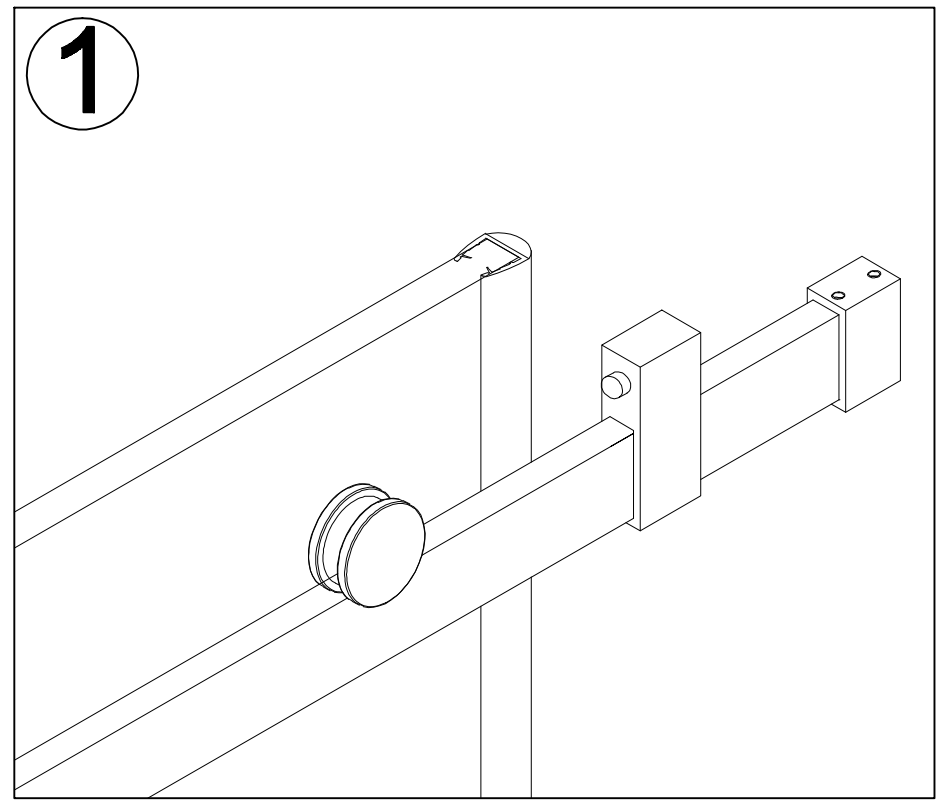
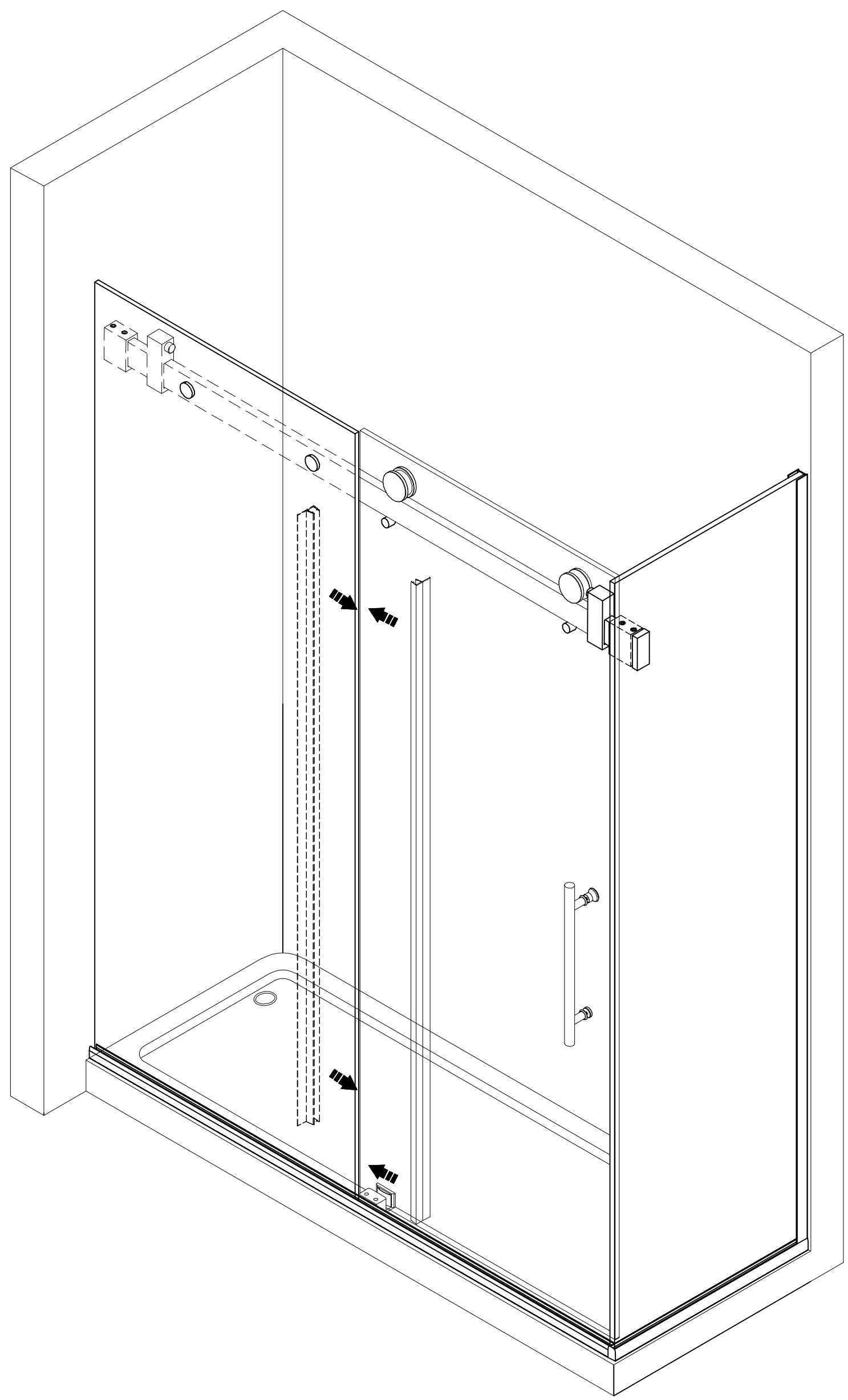
13



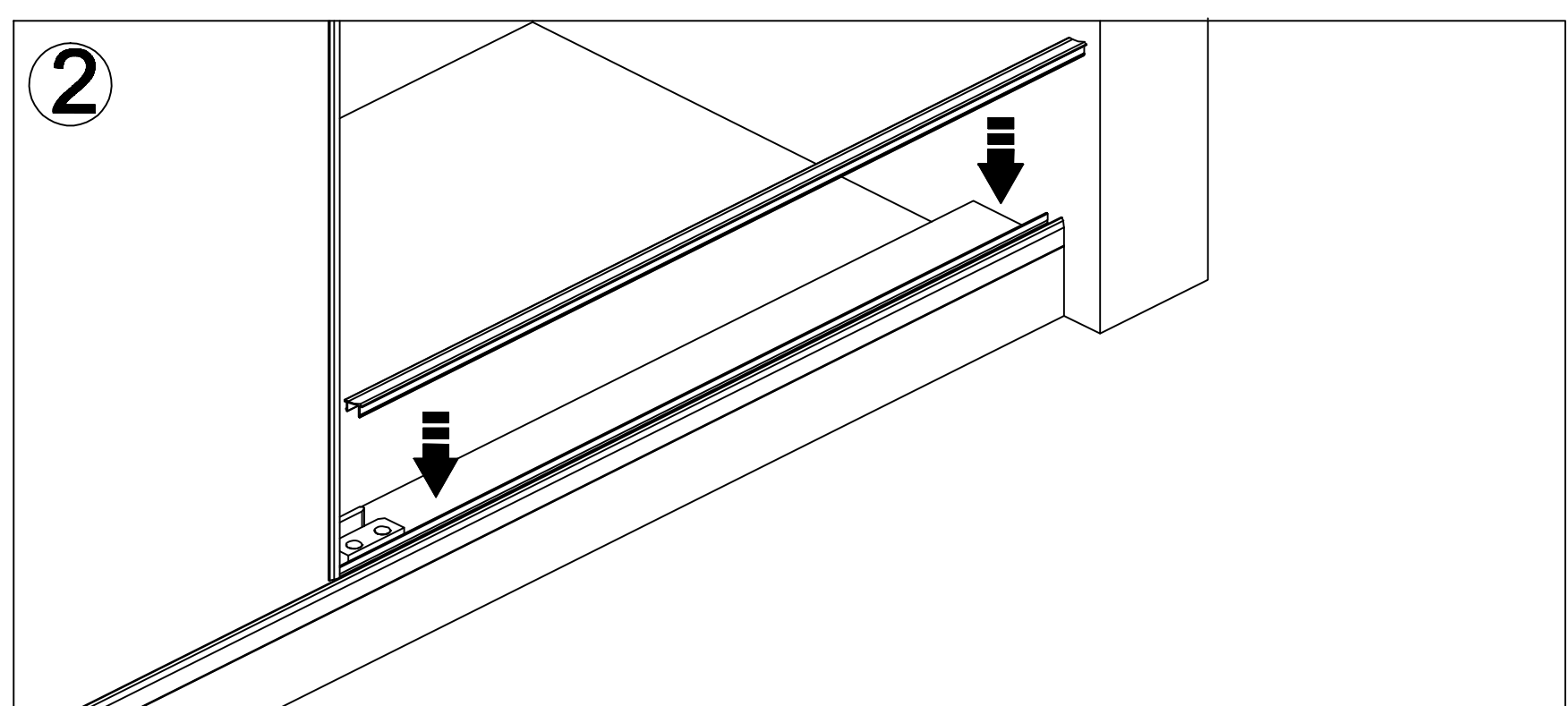
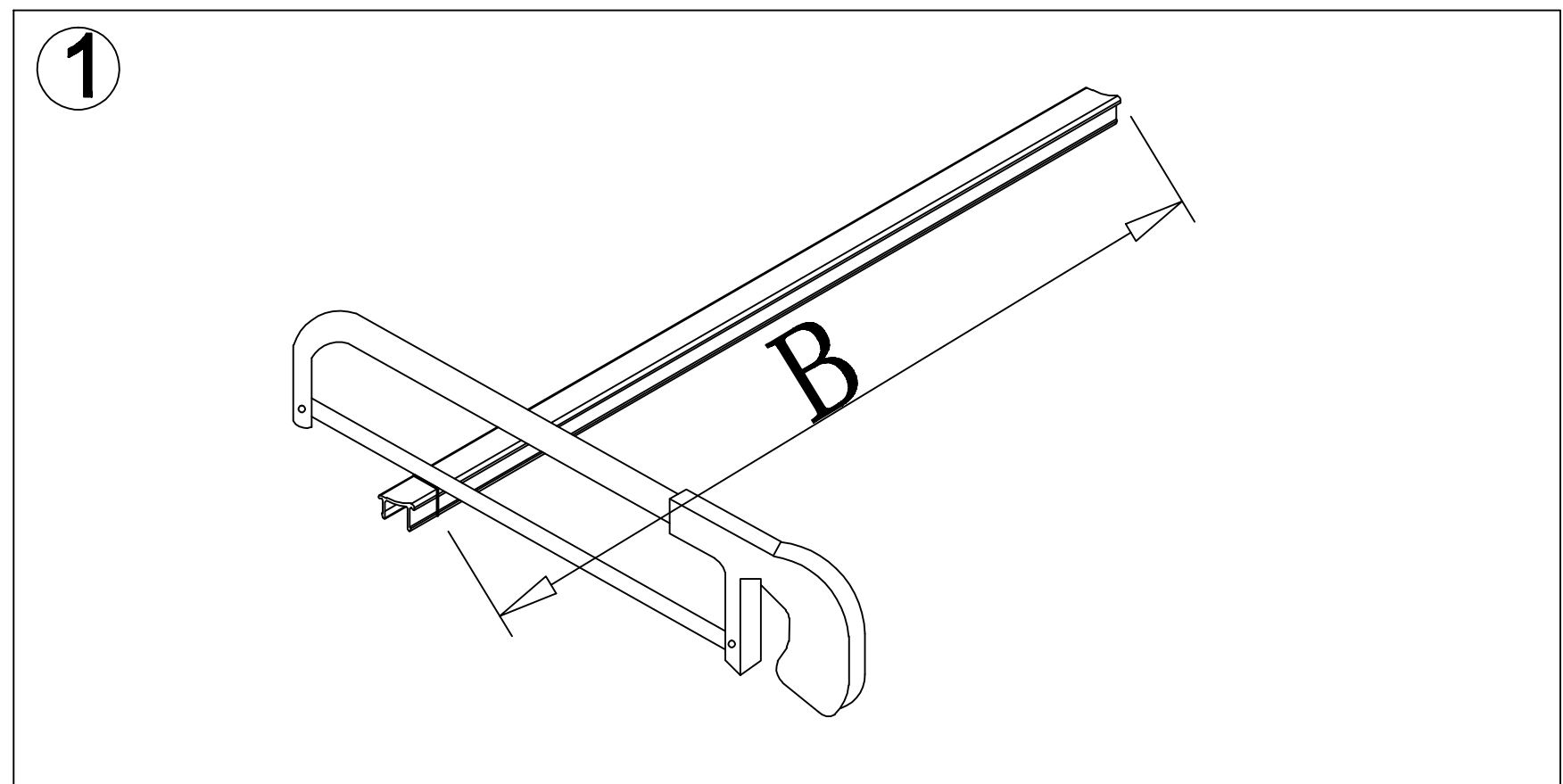
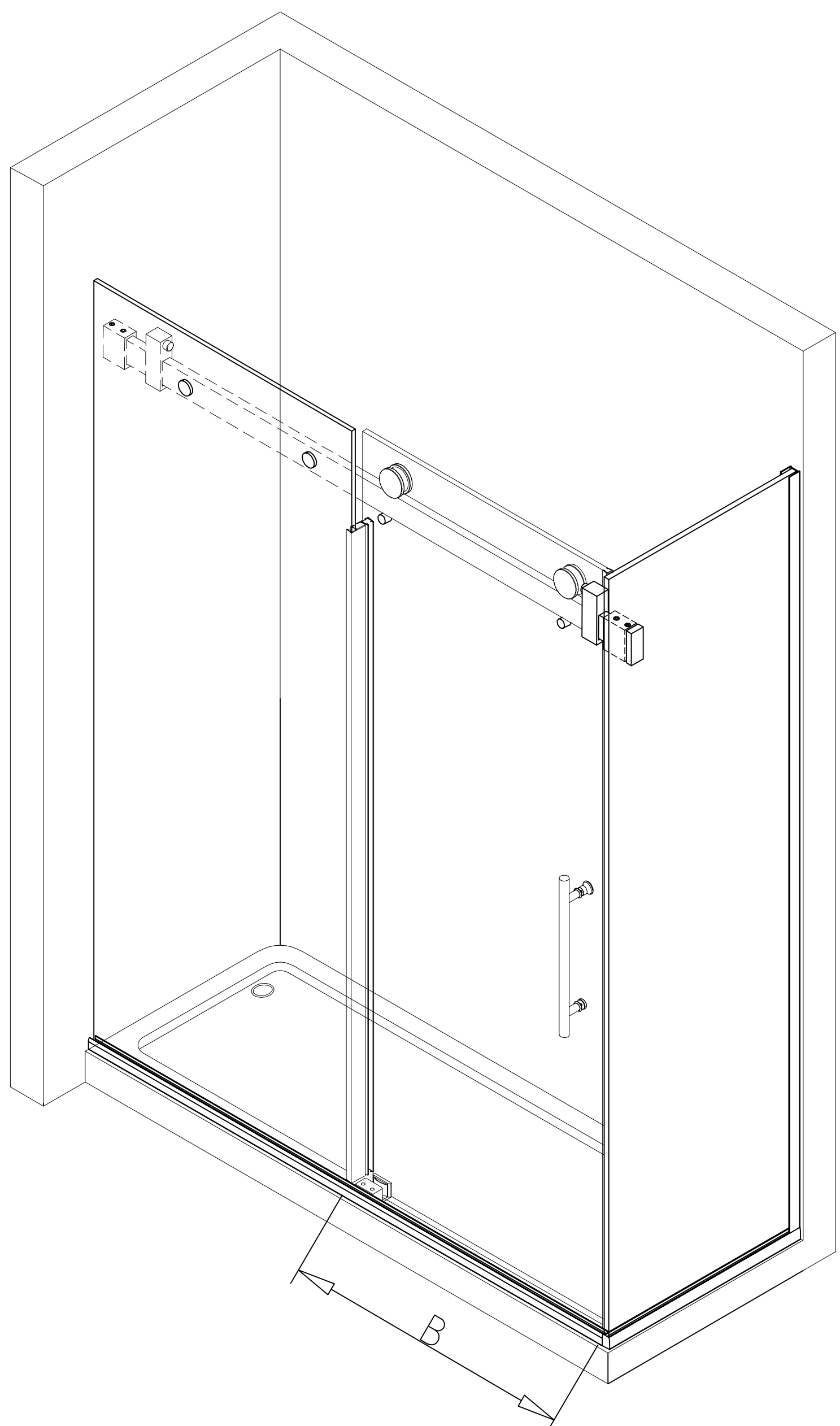
14



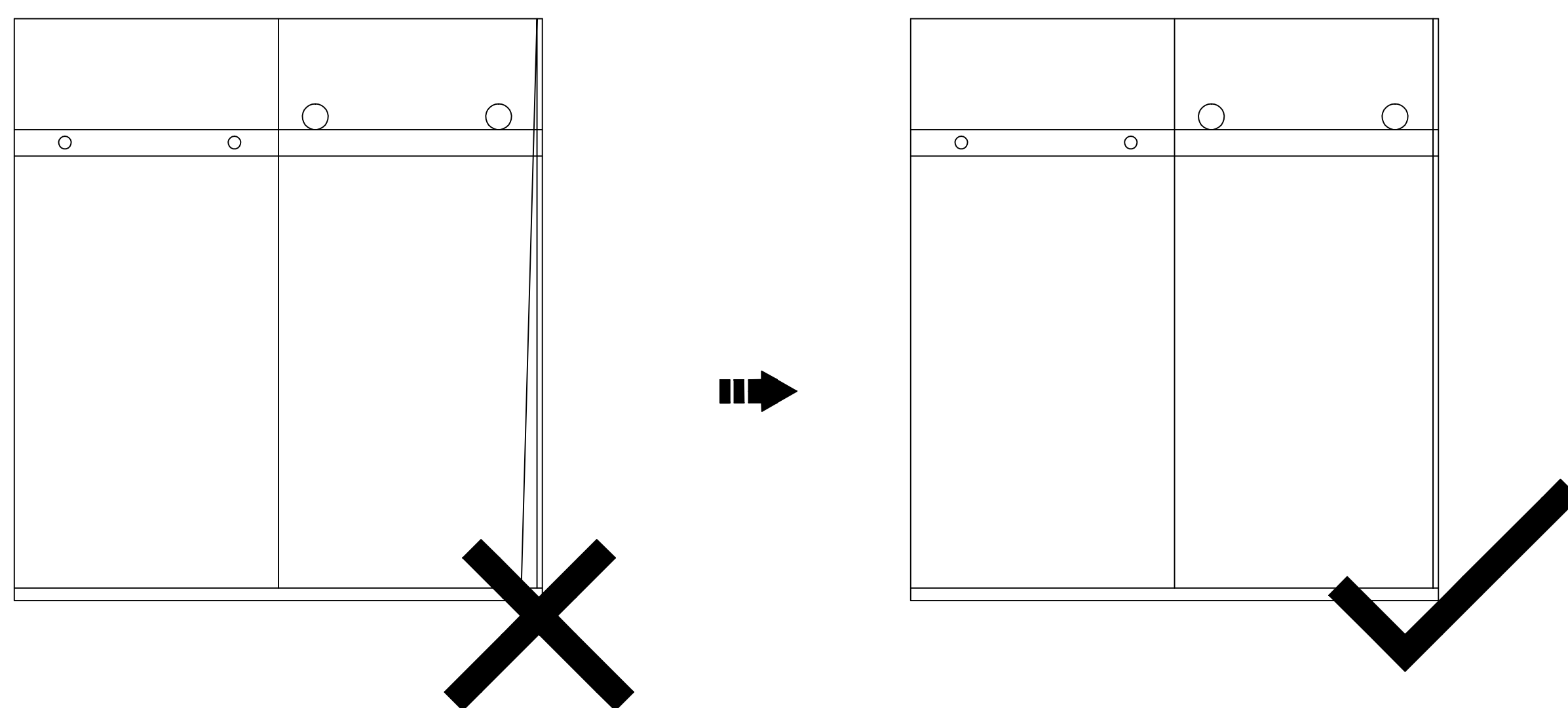
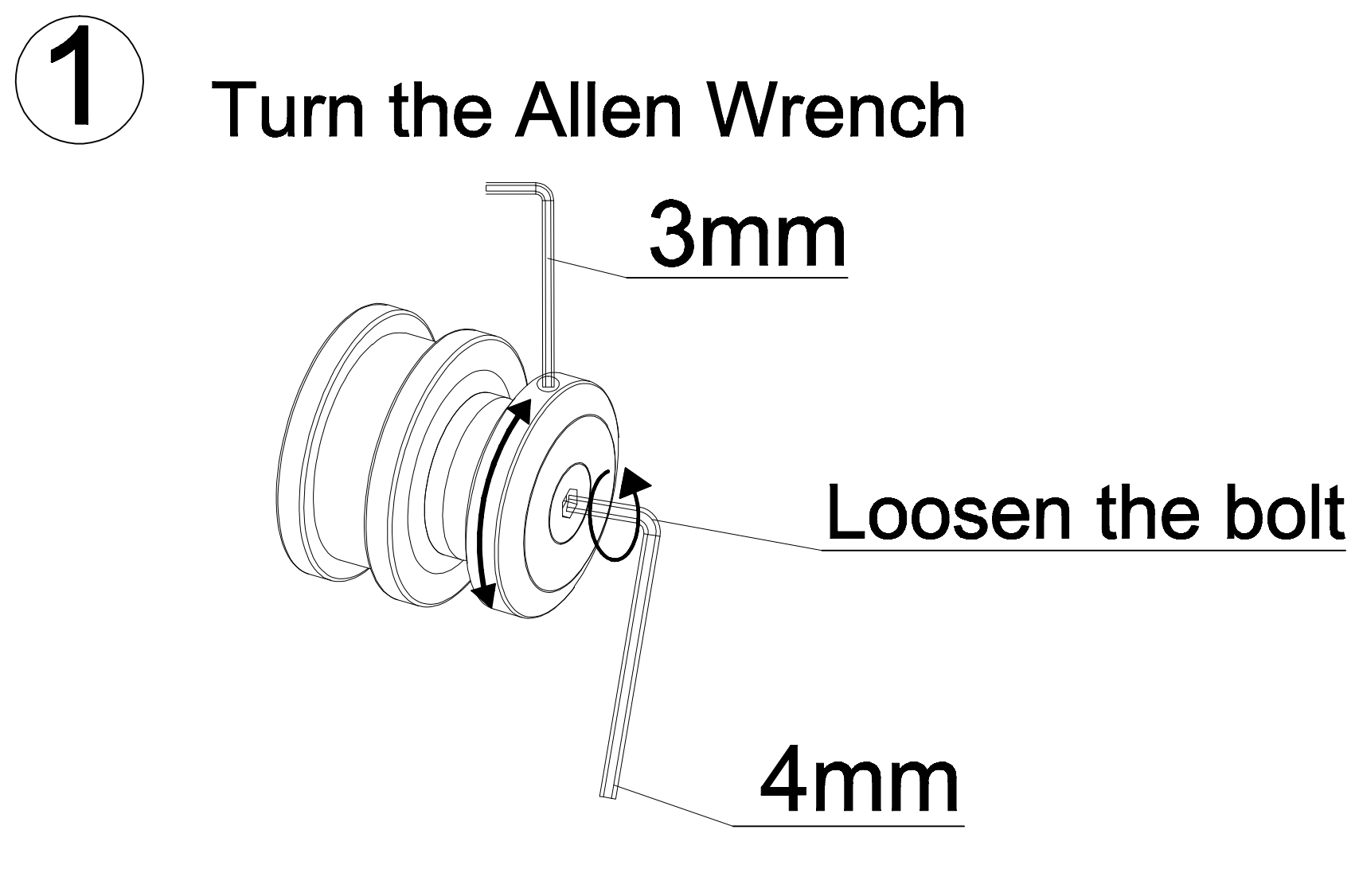
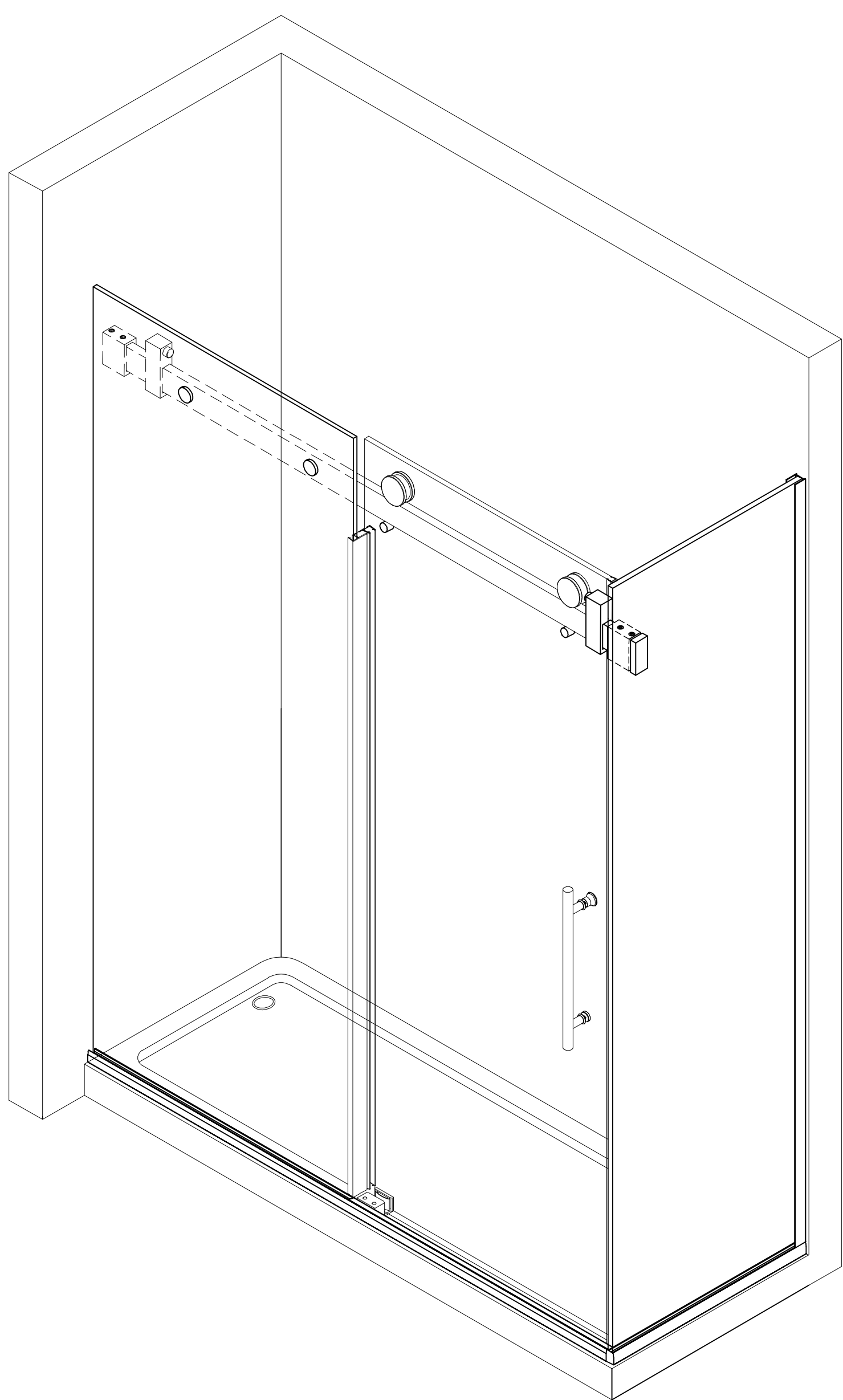
15



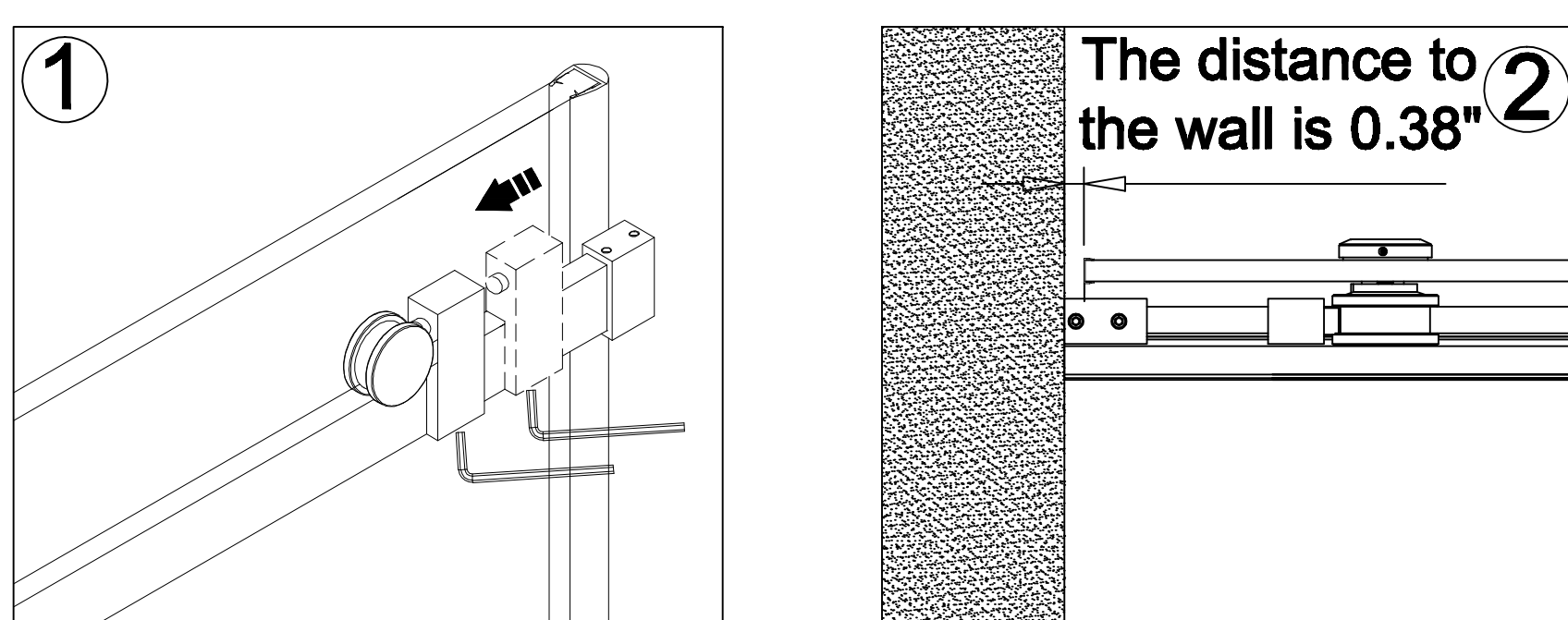
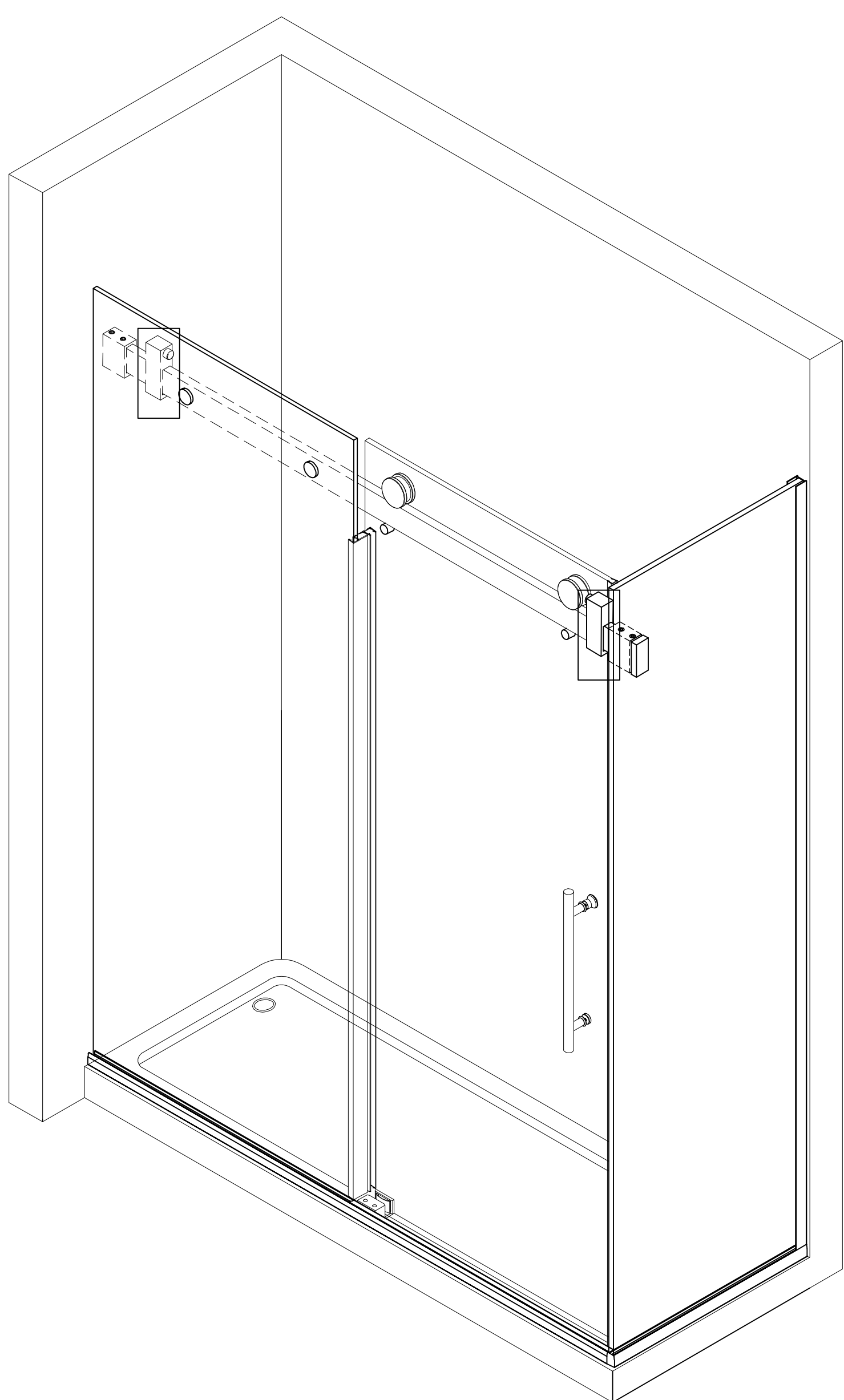
16



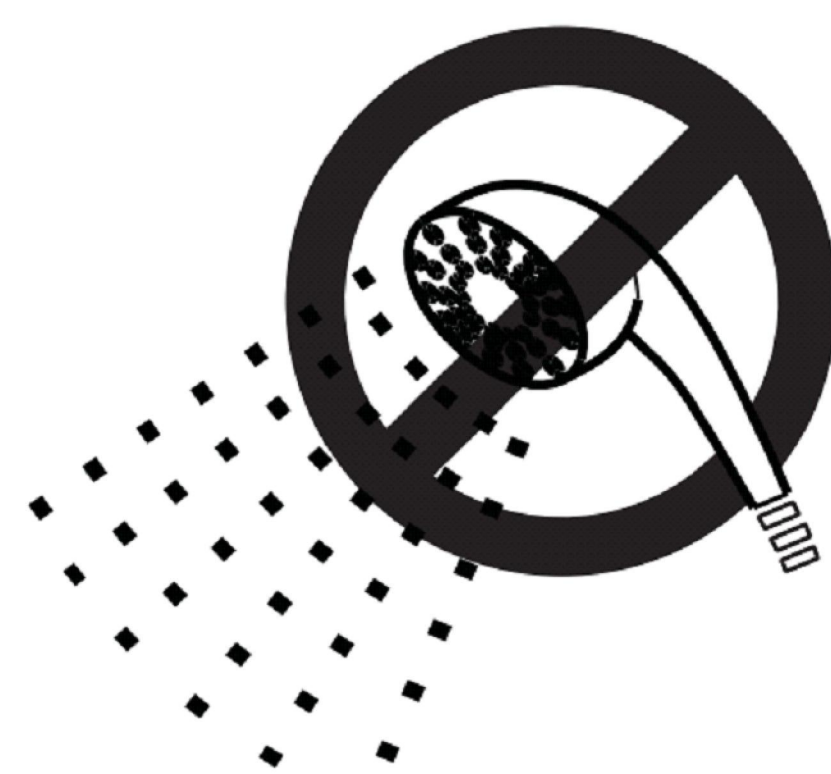
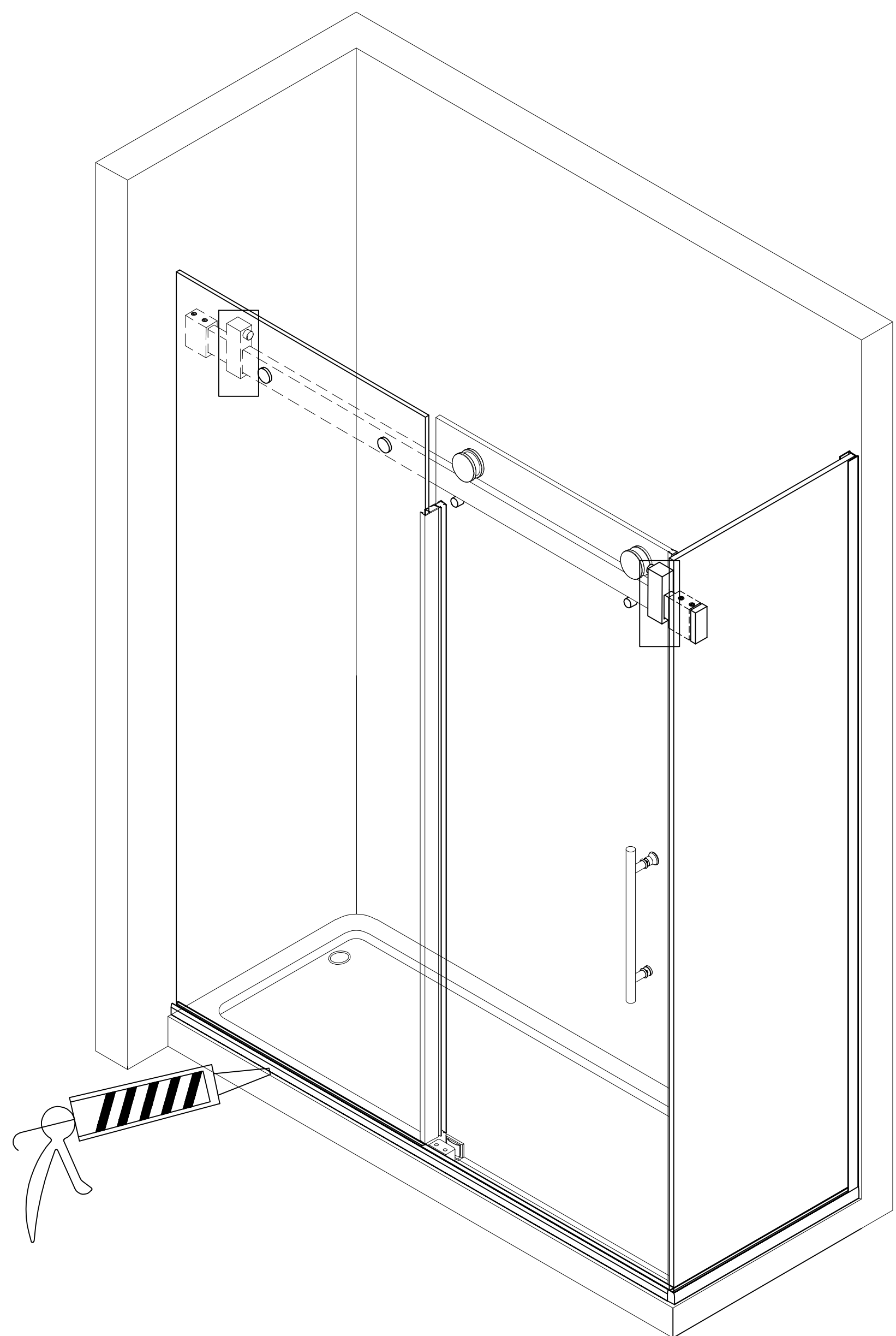
17



18



19



24 HOURS