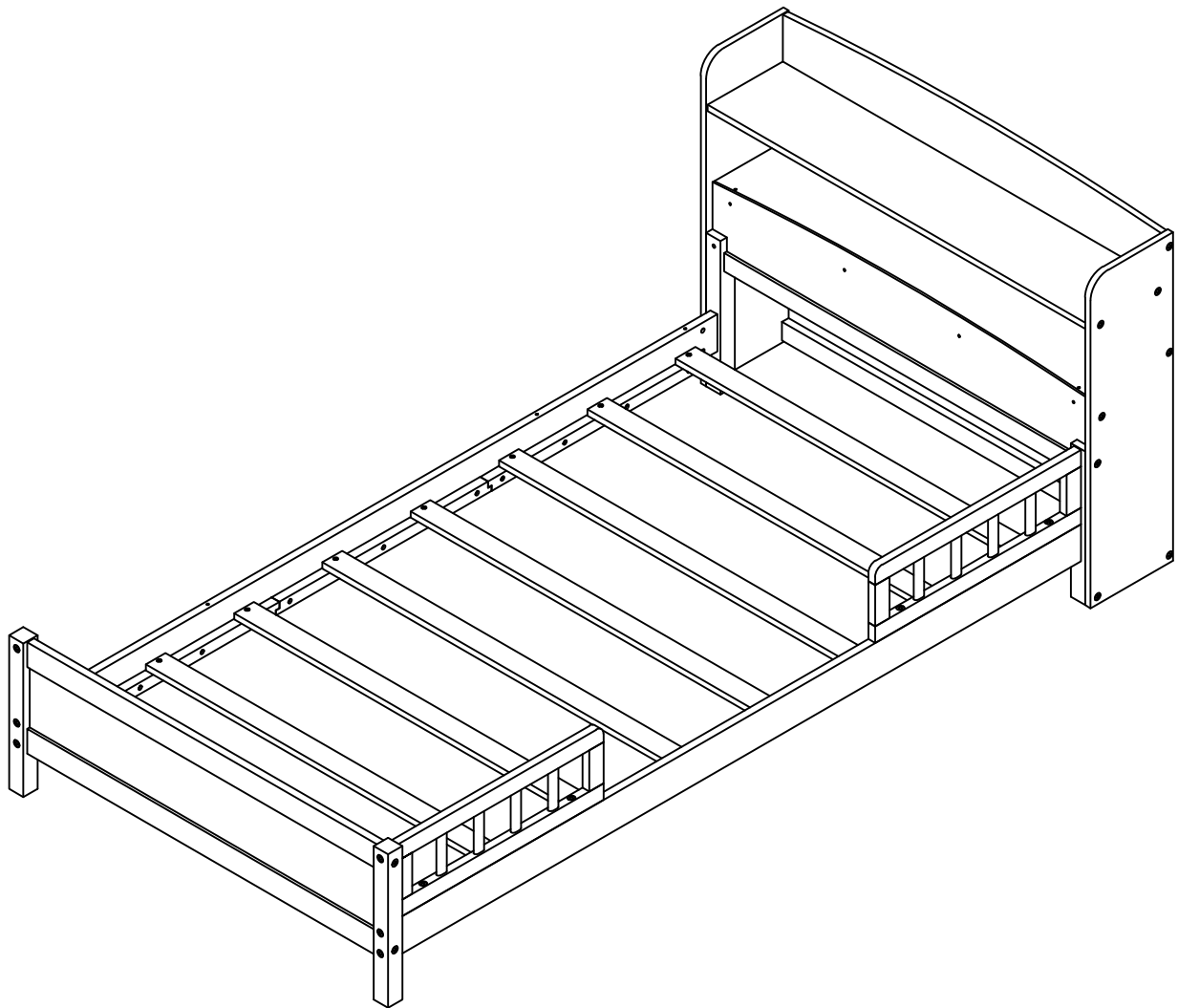


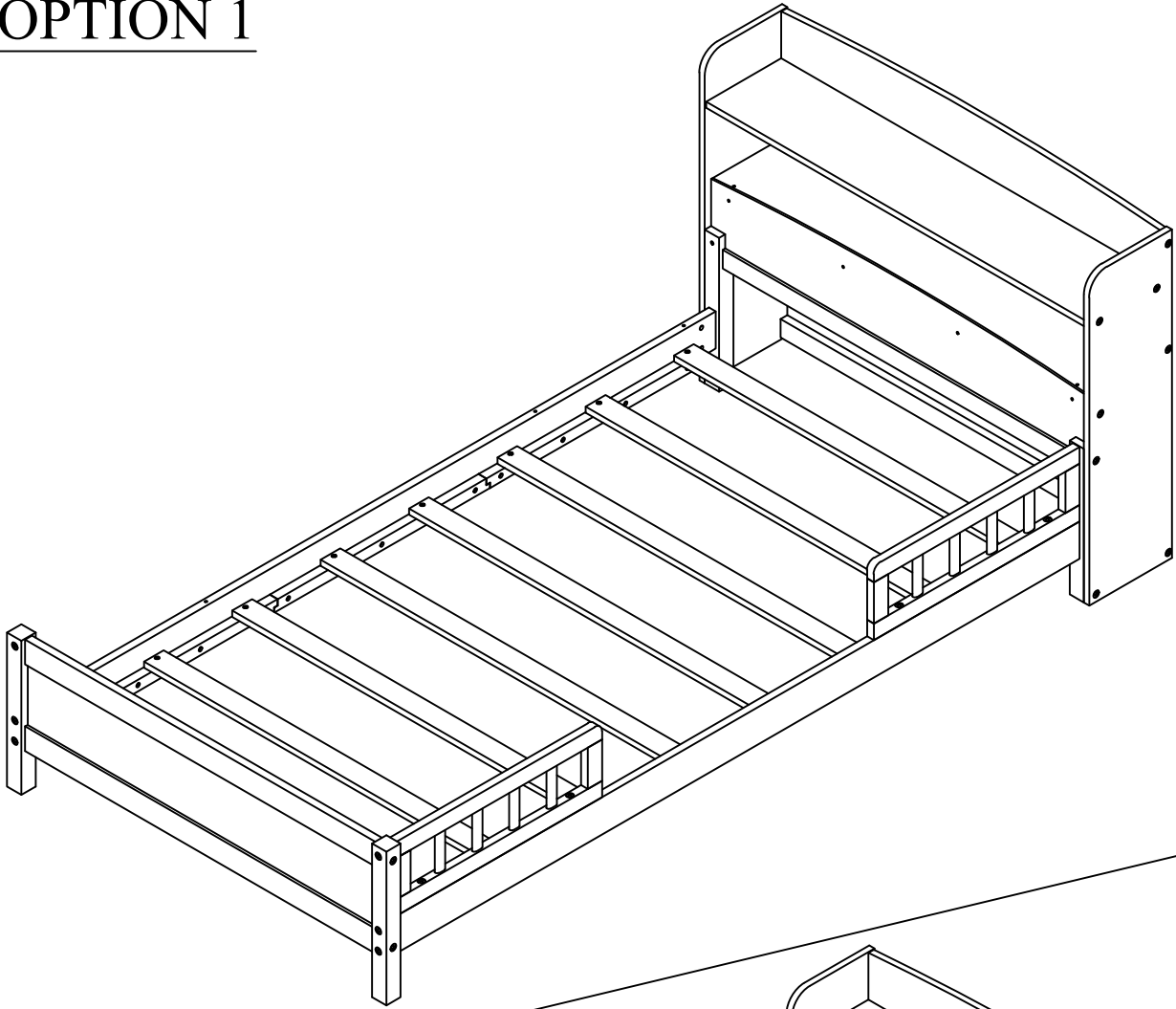
# ASSEMBLY INSTRUCTIONS

## TWIN BED WITH LED LIGHT , STORAGE HEADBOARD

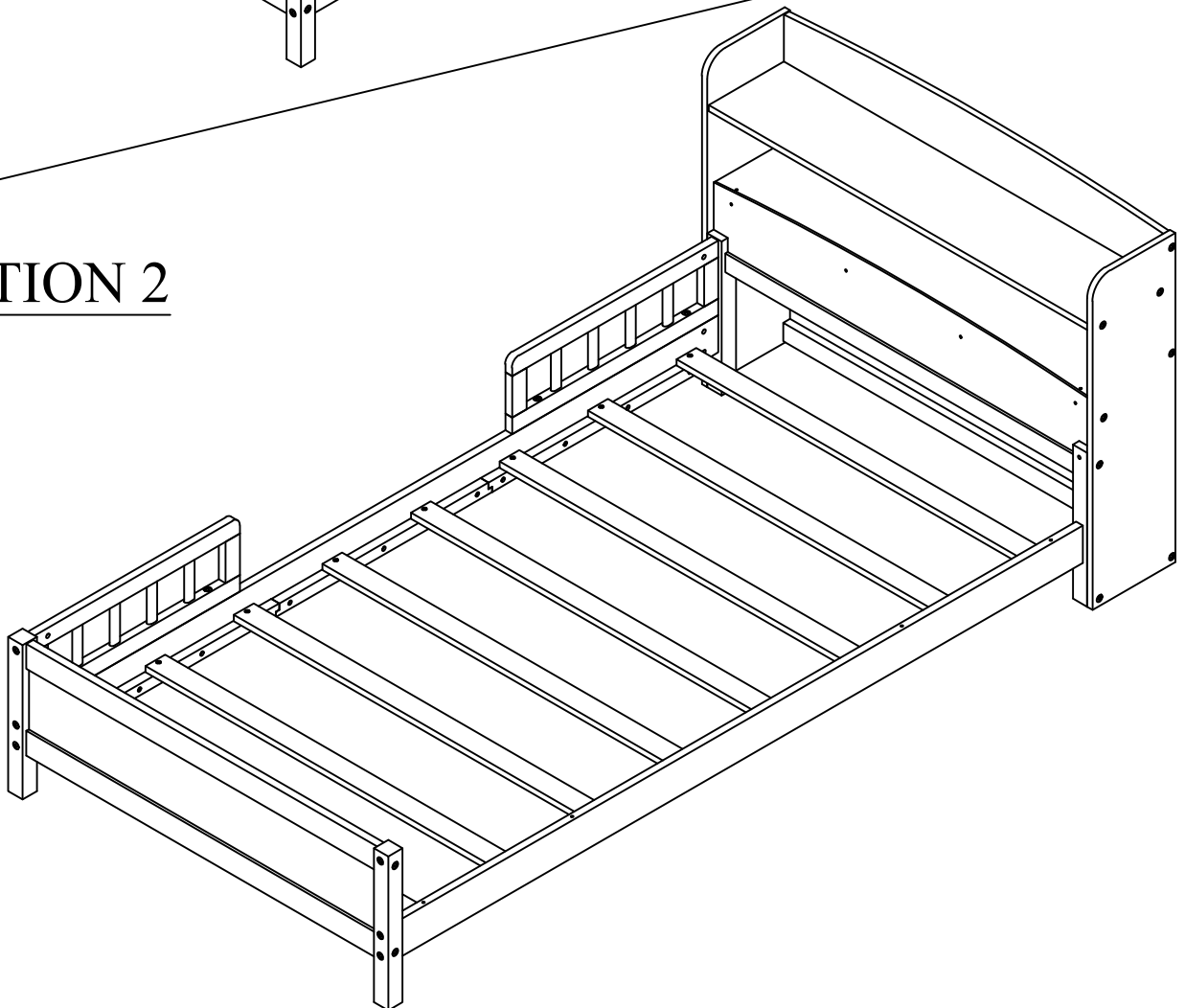


SD33015

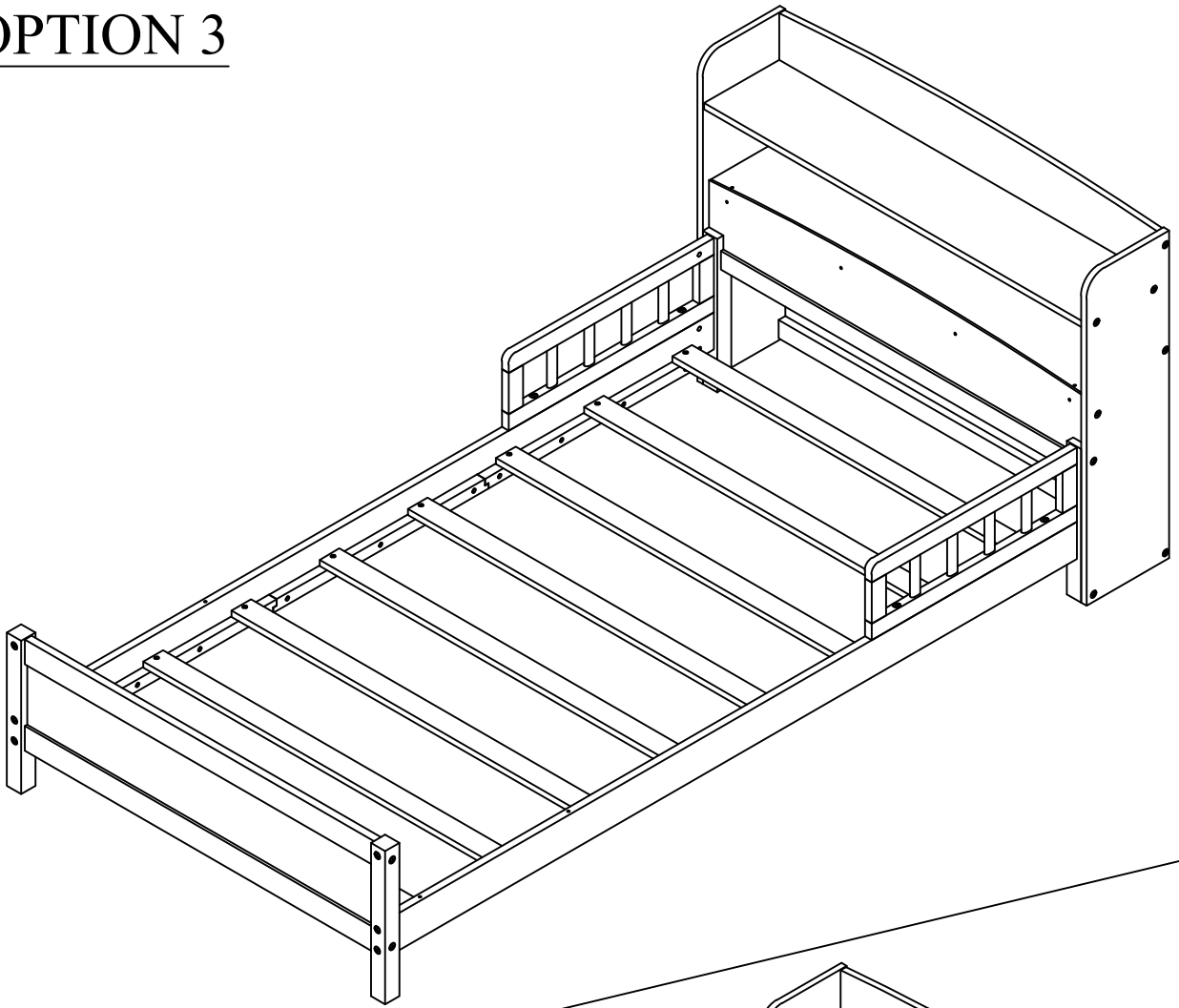
# OPTION 1



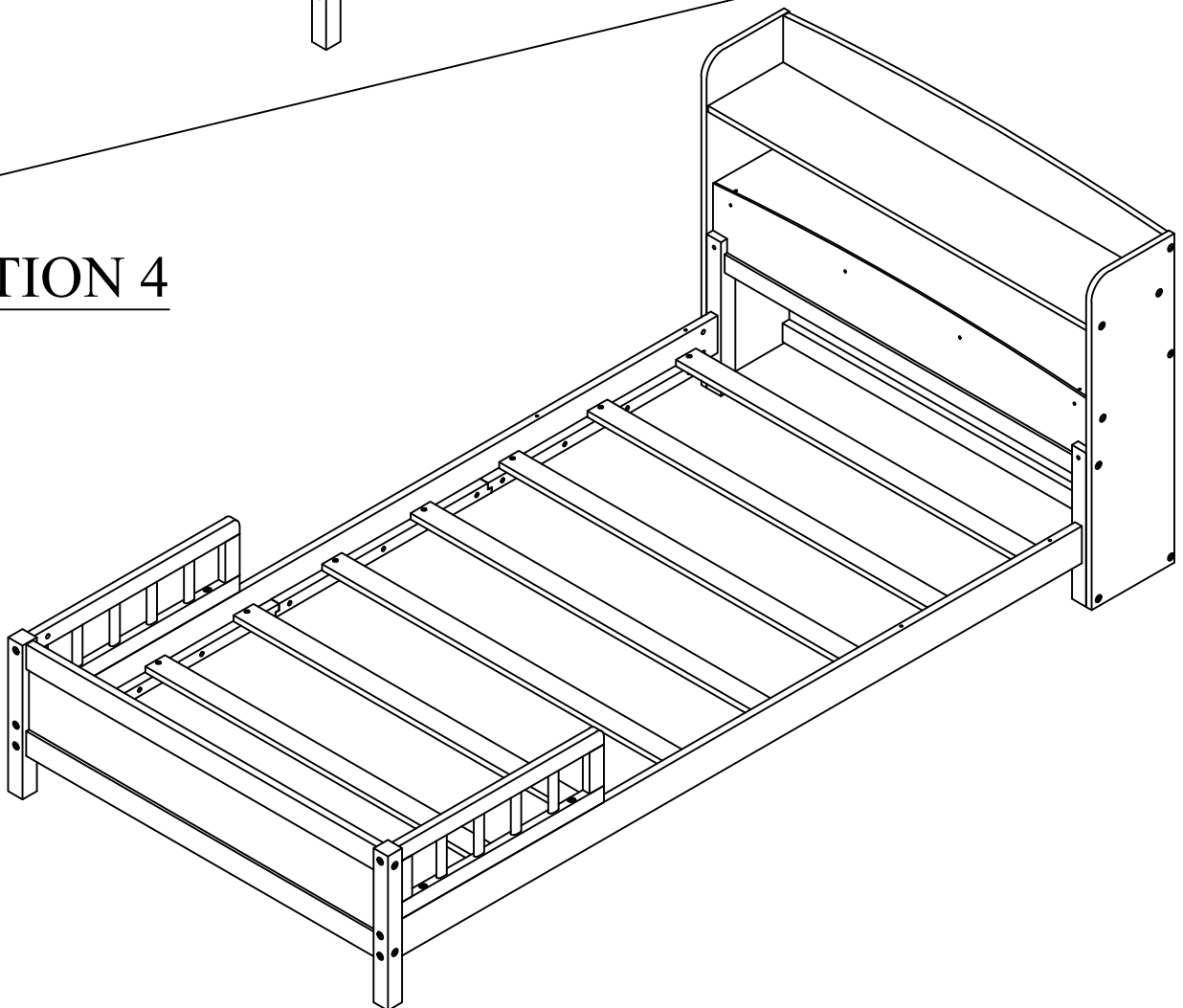
# OPTION 2

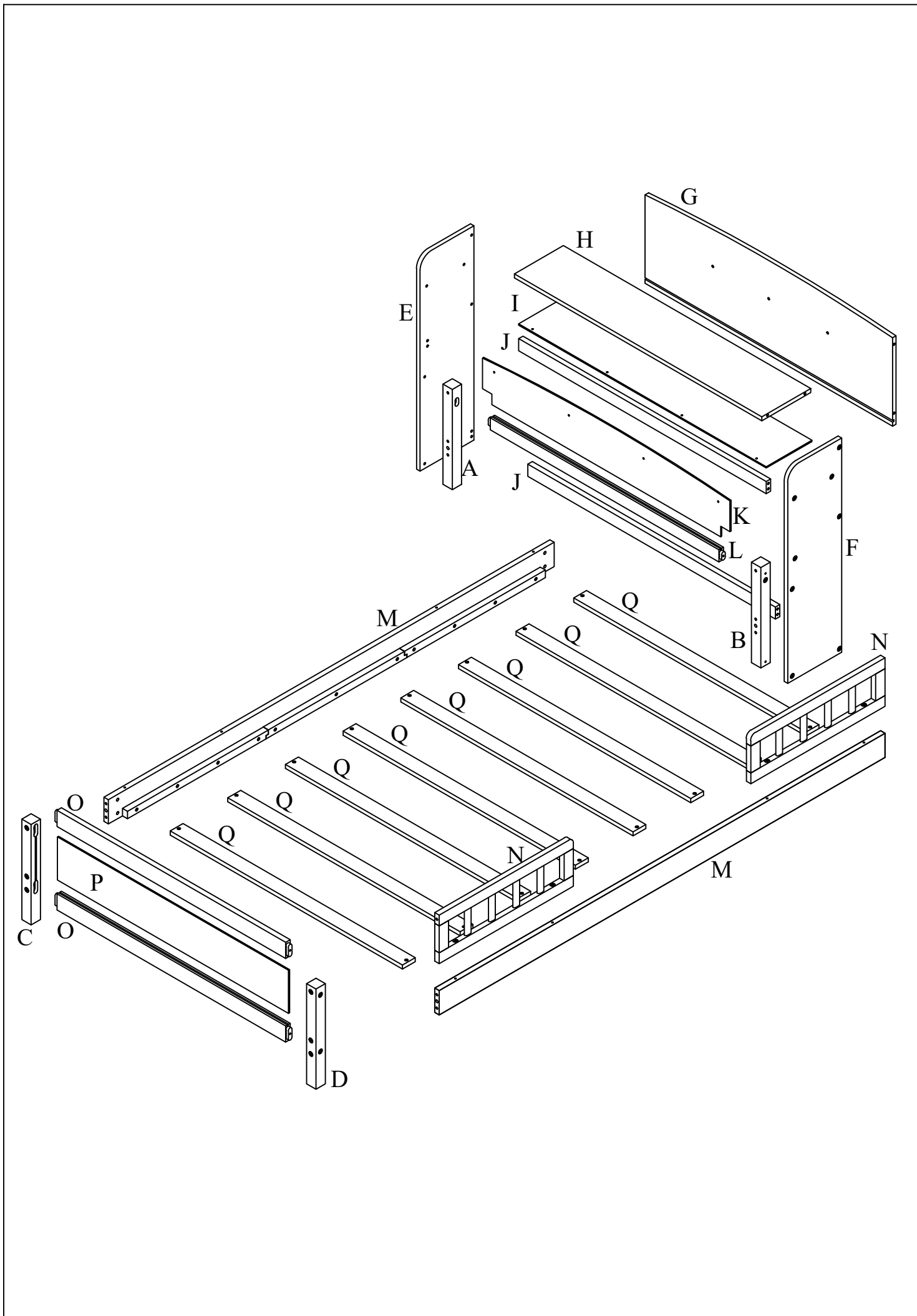


# OPTION 3

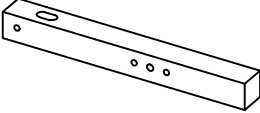
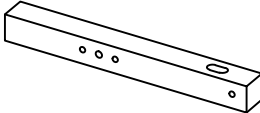
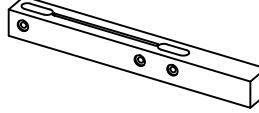
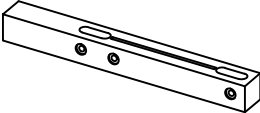
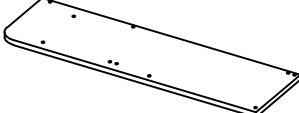
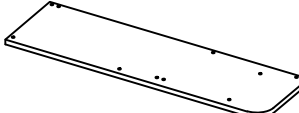
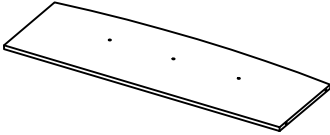
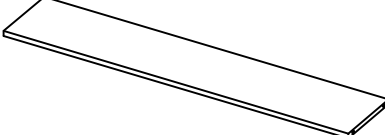
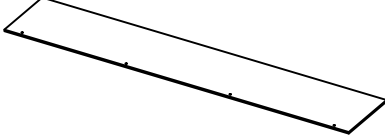
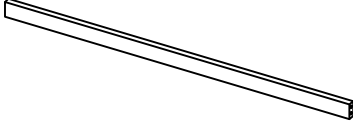
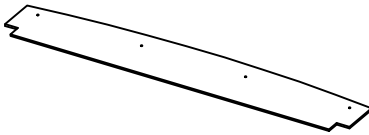
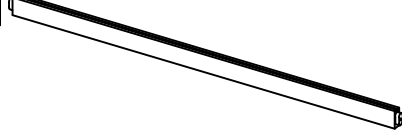
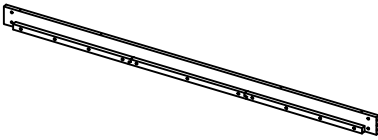
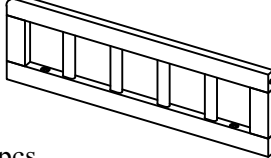
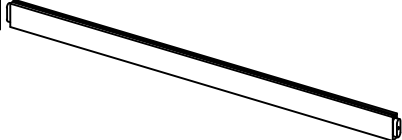
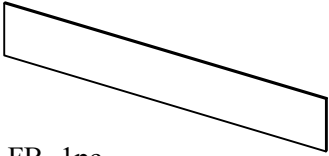
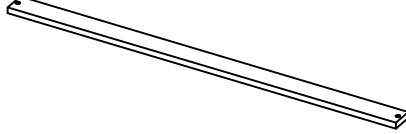


# OPTION 4



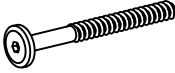
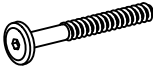

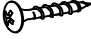
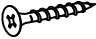

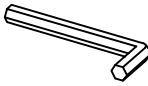

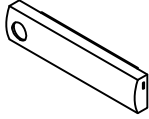





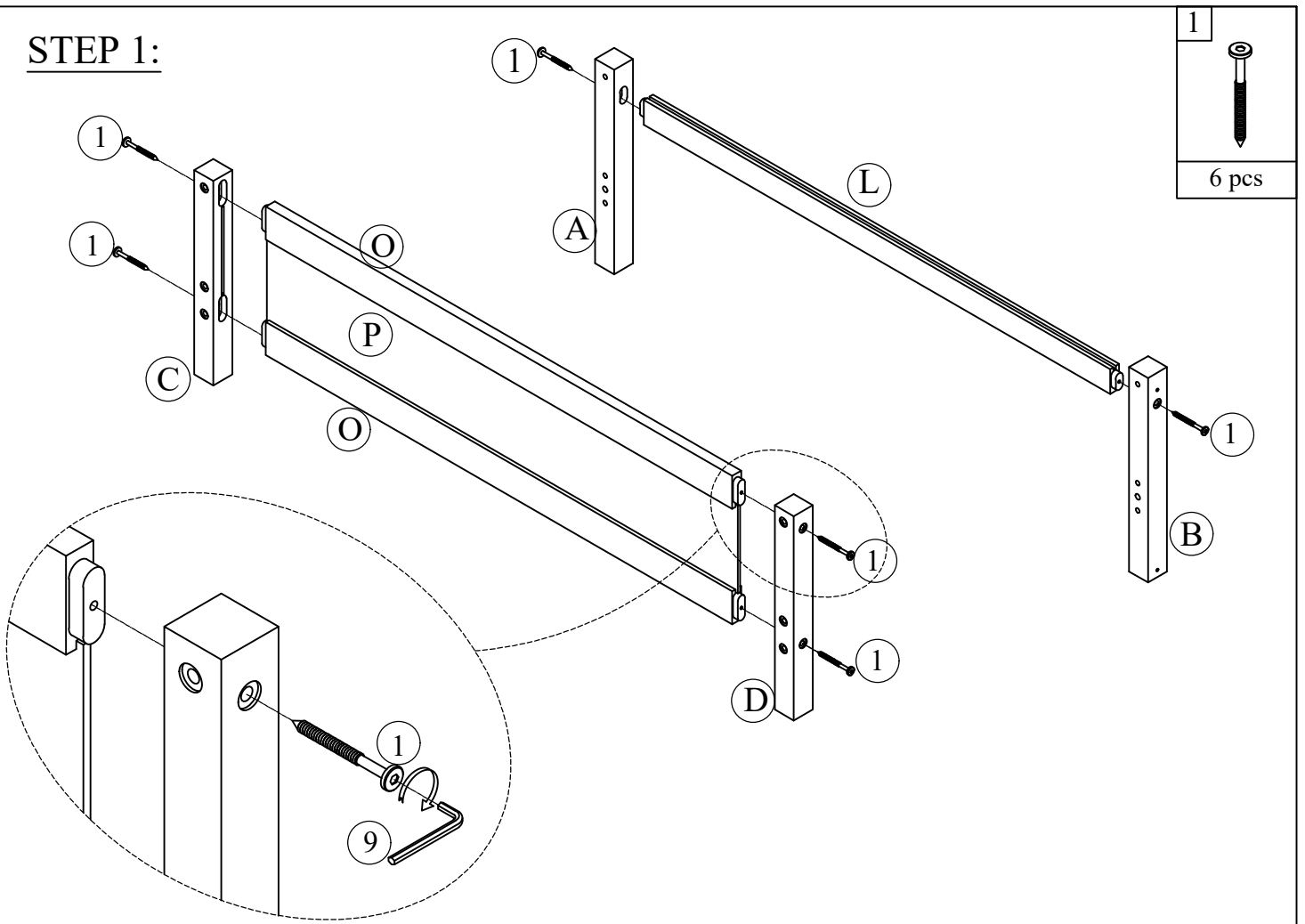
# Part List

<p><b>A</b></p>  <p>Leg (Left HB) - 1pc</p>	<p><b>B</b></p>  <p>Leg (Right HB) - 1pc</p>	<p><b>C</b></p>  <p>Leg (Left FB) - 1pc</p>
<p><b>D</b></p>  <p>Leg (Right FB) - 1pc</p>	<p><b>E</b></p>  <p>Left Panel - 1pc</p>	<p><b>F</b></p>  <p>Right Panel - 1pc</p>
<p><b>G</b></p>  <p>Back Panel - 1pc</p>	<p><b>H</b></p>  <p>Top Panel - 1pc</p>	<p><b>I</b></p>  <p>Bottom Panel - 1pc</p>
<p><b>J</b></p>  <p>Horizontal bar on/bottom HB - 2pcs</p>	<p><b>K</b></p>  <p>Front Panel - 1pc</p>	<p><b>L</b></p>  <p>Horizontal bar front HB - 1pc</p>
<p><b>M</b></p>  <p>Side rail - 2pcs</p>	<p><b>N</b></p>  <p>Frames - 2pcs</p>	<p><b>O</b></p>  <p>Horizontal bar FB - 2pcs</p>
<p><b>P</b></p>  <p>Panel FB- 1pc</p>	<p><b>Q</b></p>  <p>Slats- 8pcs</p>	

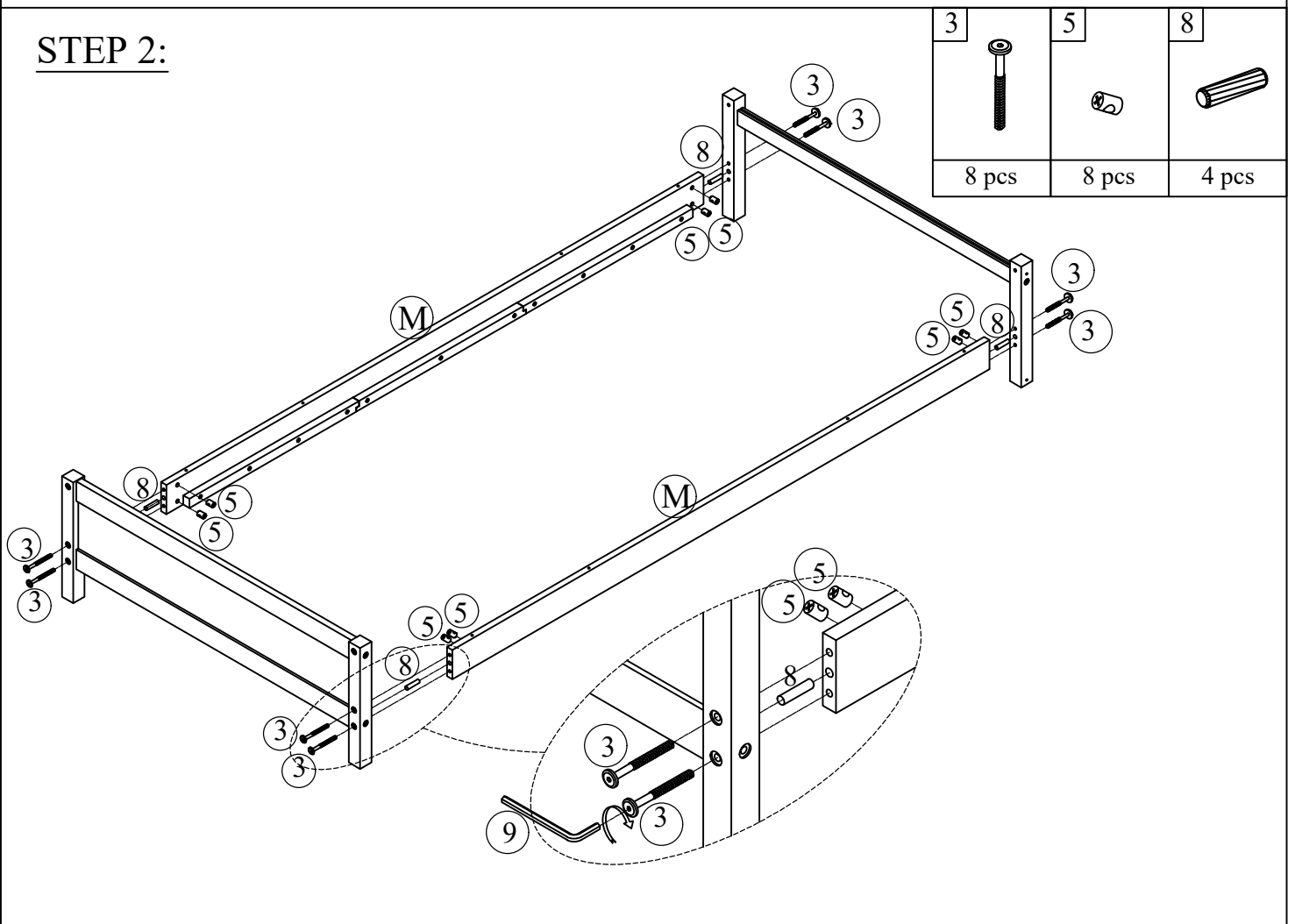
# Hardware List

1	 (Ø15) 1/4"*70	2	 (Ø15) 1/4"*40	3	 (Ø15) 1/4"*90
Screws (10pcs)		Screws (4pcs)		Hex-Head bolts (10pcs)	
4	 (Ø15) 1/4"*70	5	 1/4"*15 (9.5mm)	6	 Ø4*20mm
Hex-Head bolts (13pcs)		Horizontal-Hole bolts (23pcs)		Wood screws (8pcs)	
7	 Ø4*25mm	8	 Ø10*40mm	9	
Wood screws (16pcs)		Wood dowel (4pcs)		Allen Key (1pc)	
10	 Ø8*30mm	11		12	
Wood dowel (6pcs)		Led Light (1pc)		Charger (1pc)	

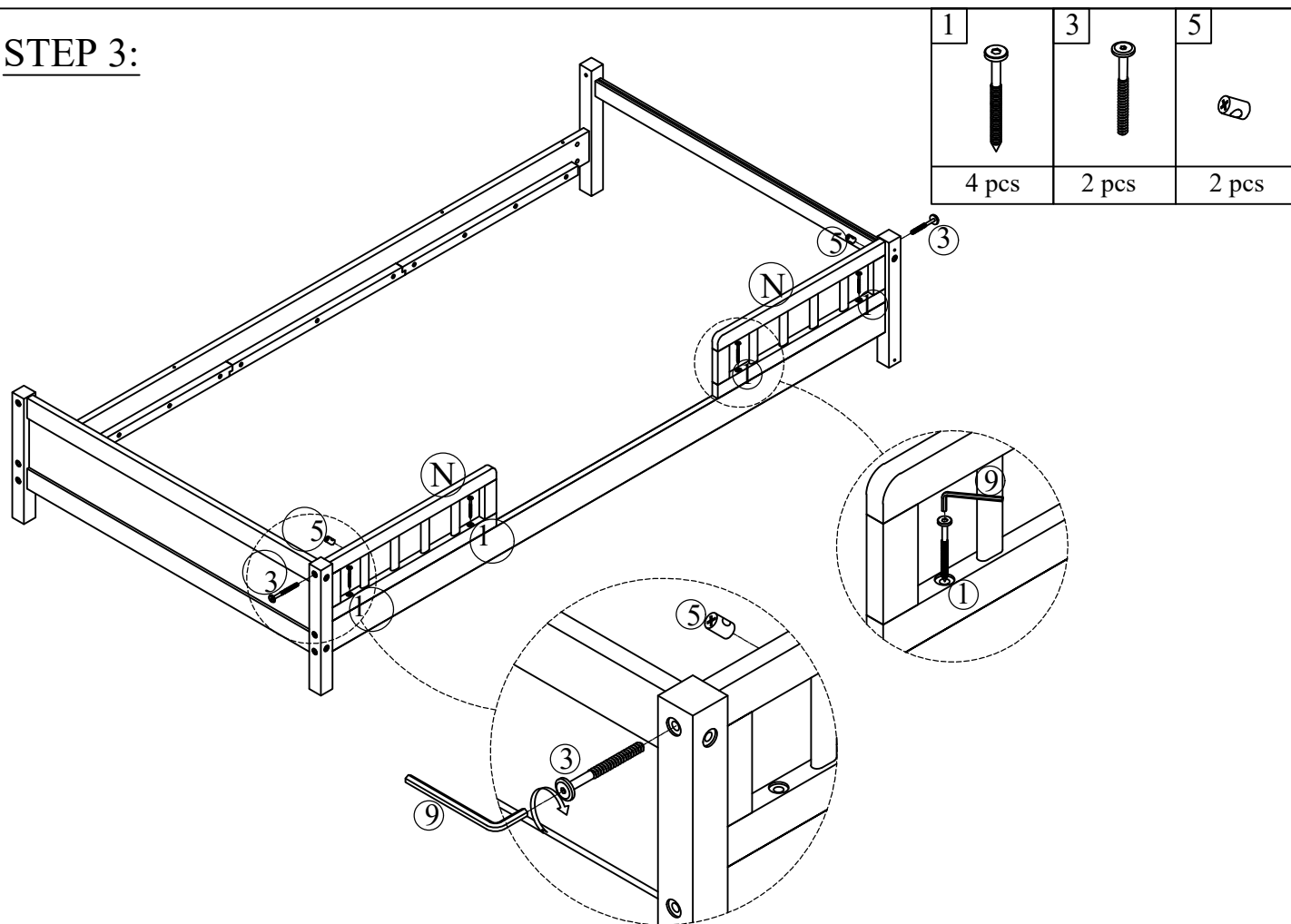
**STEP 1:**



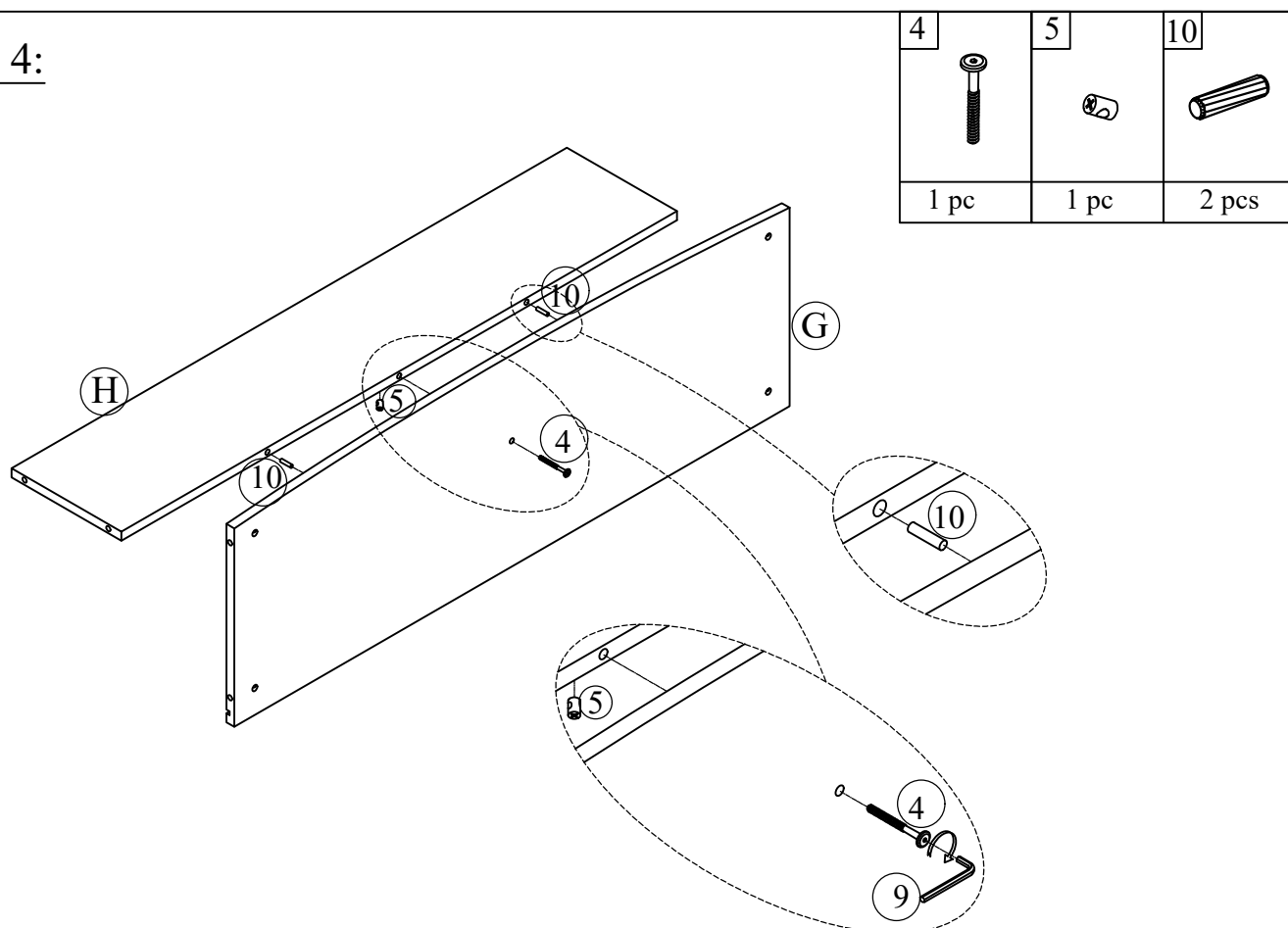
**STEP 2:**



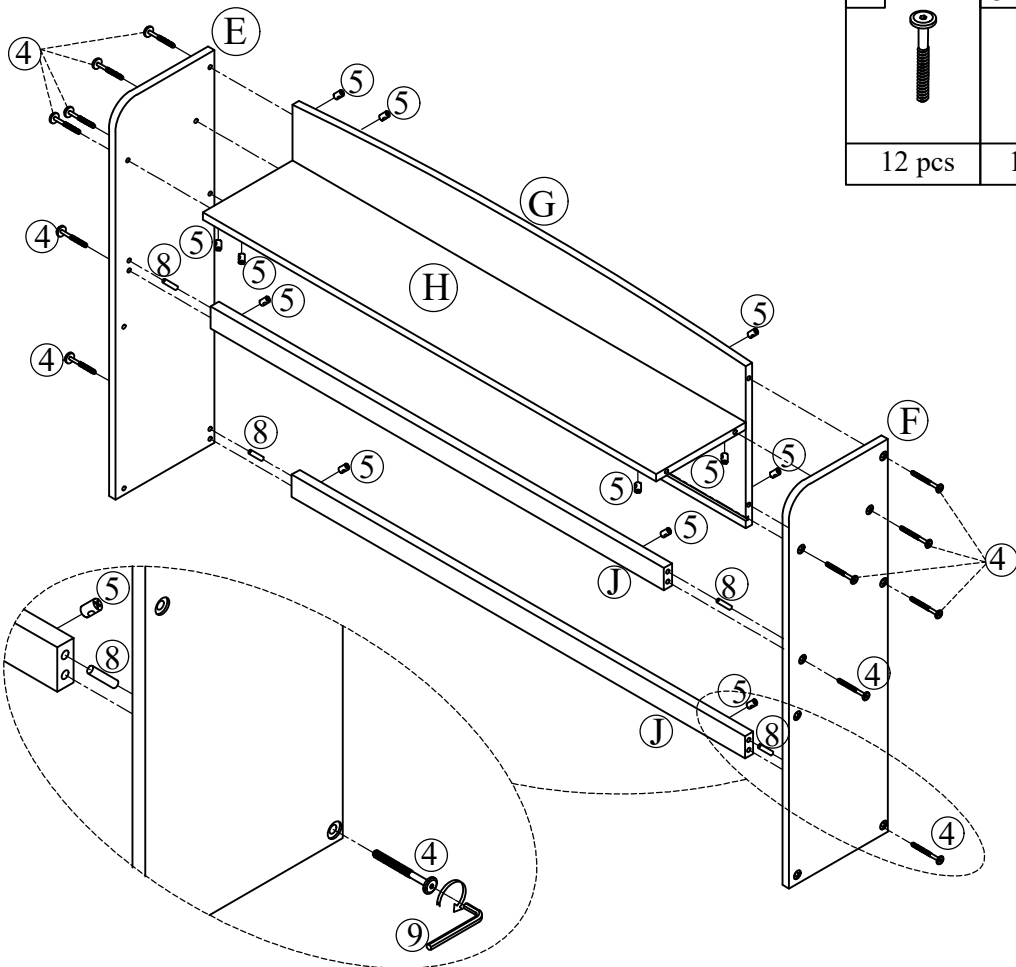
### STEP 3:



### STEP 4:

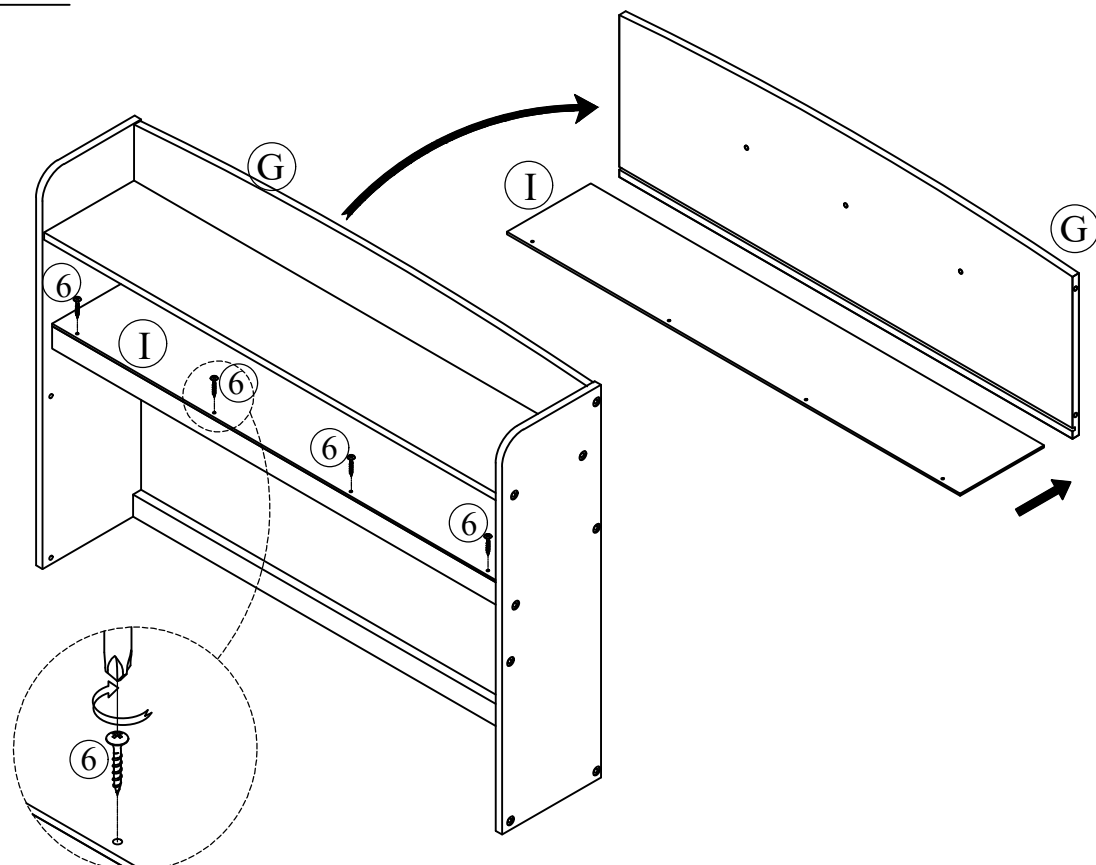


**STEP 5:**



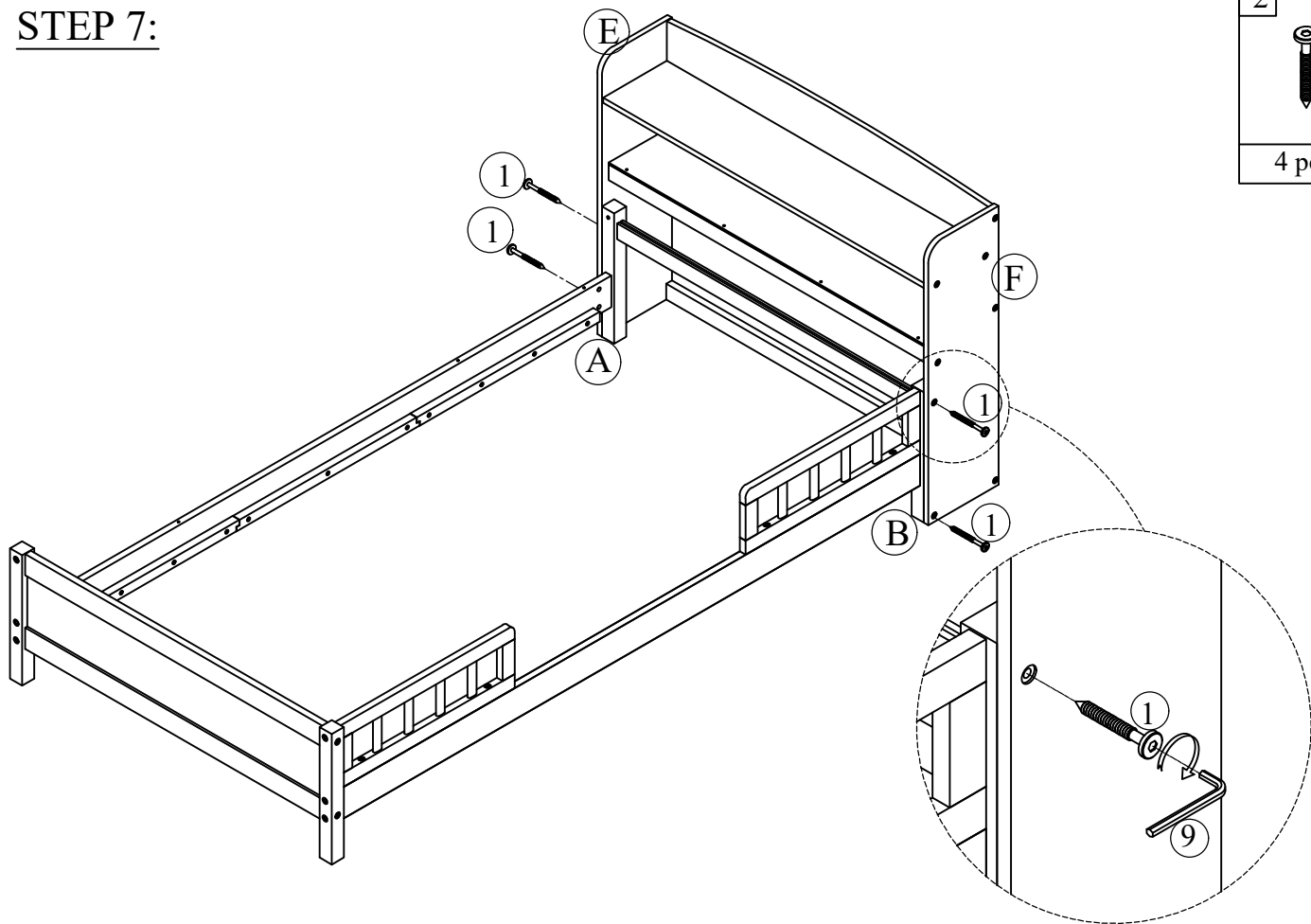
4	5	10
12 pcs	12 pcs	4 pcs

**STEP 6:**

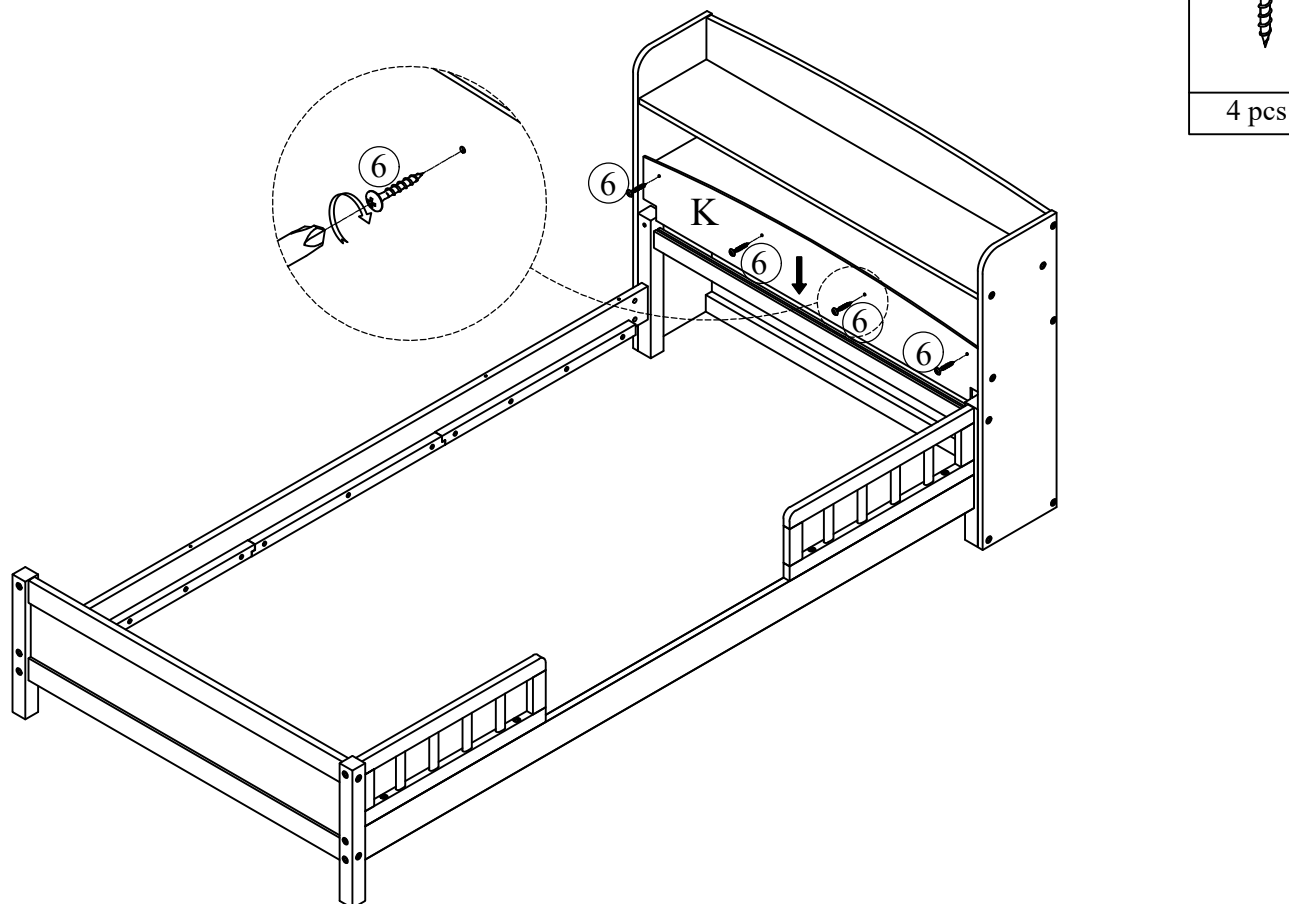


6
4 pcs

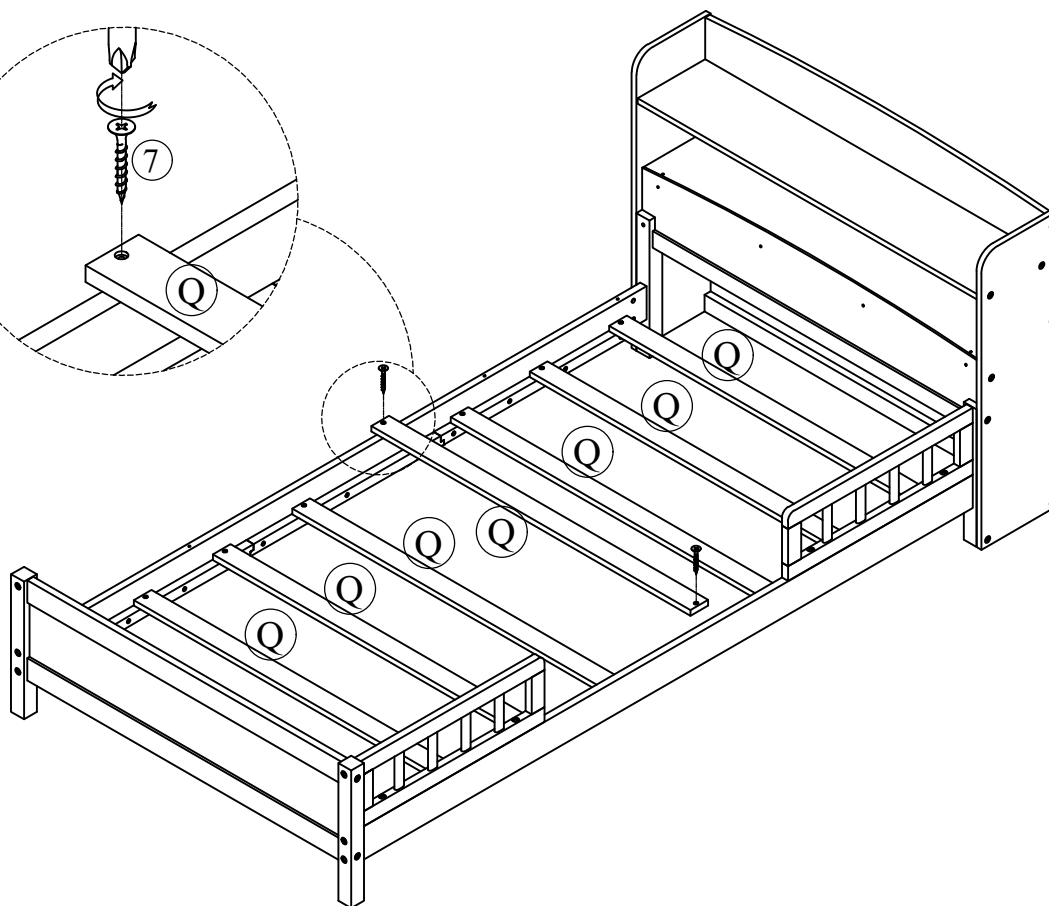
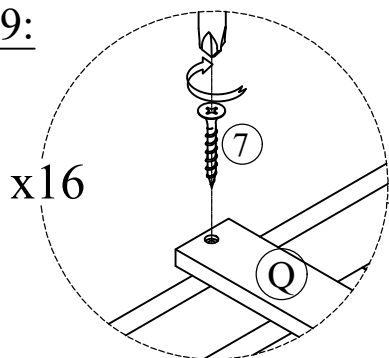
**STEP 7:**



**STEP 8:**



**STEP 9:**

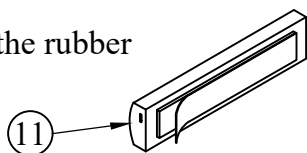


7



16 pcs

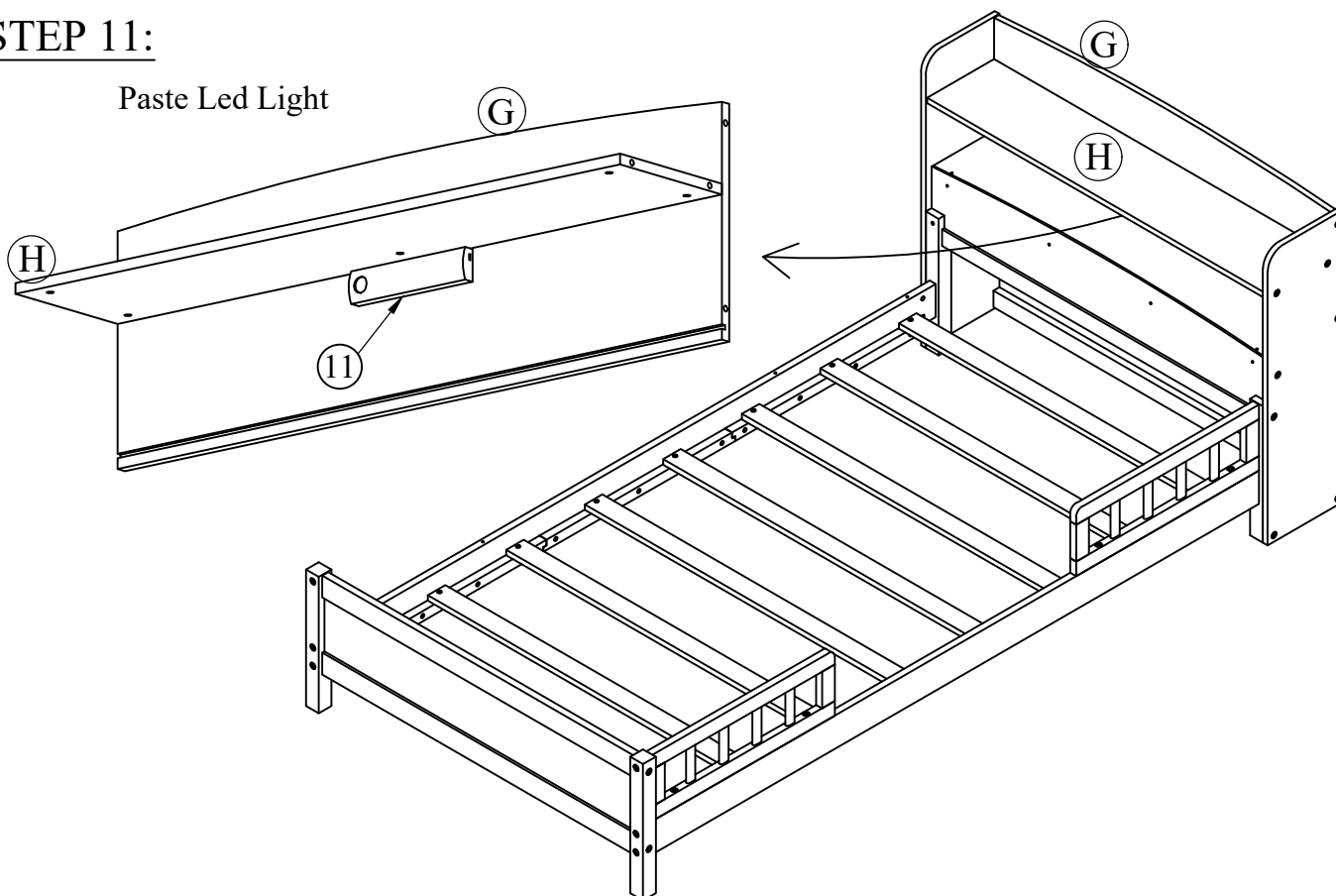
**STEP 10:** Peel off the rubber



Please see the instruction manual in the LED light box to learn how to use the light.

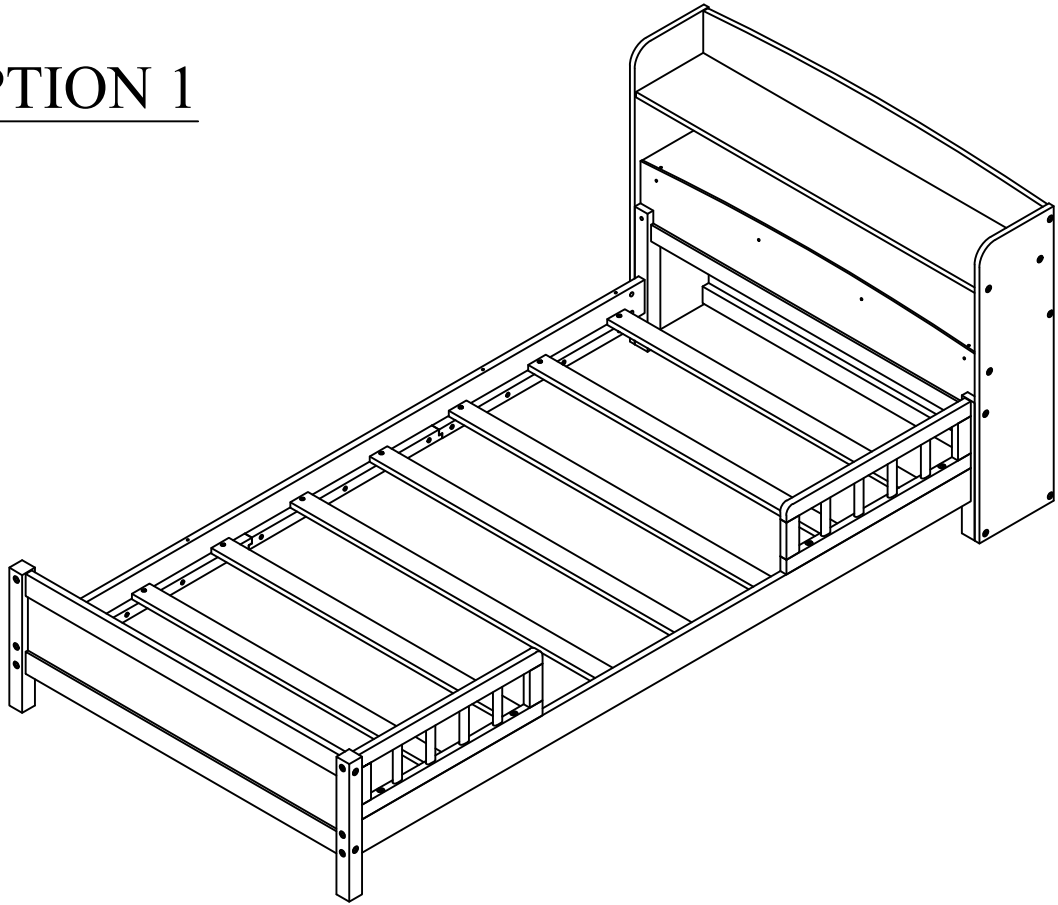
**STEP 11:**

Paste Led Light

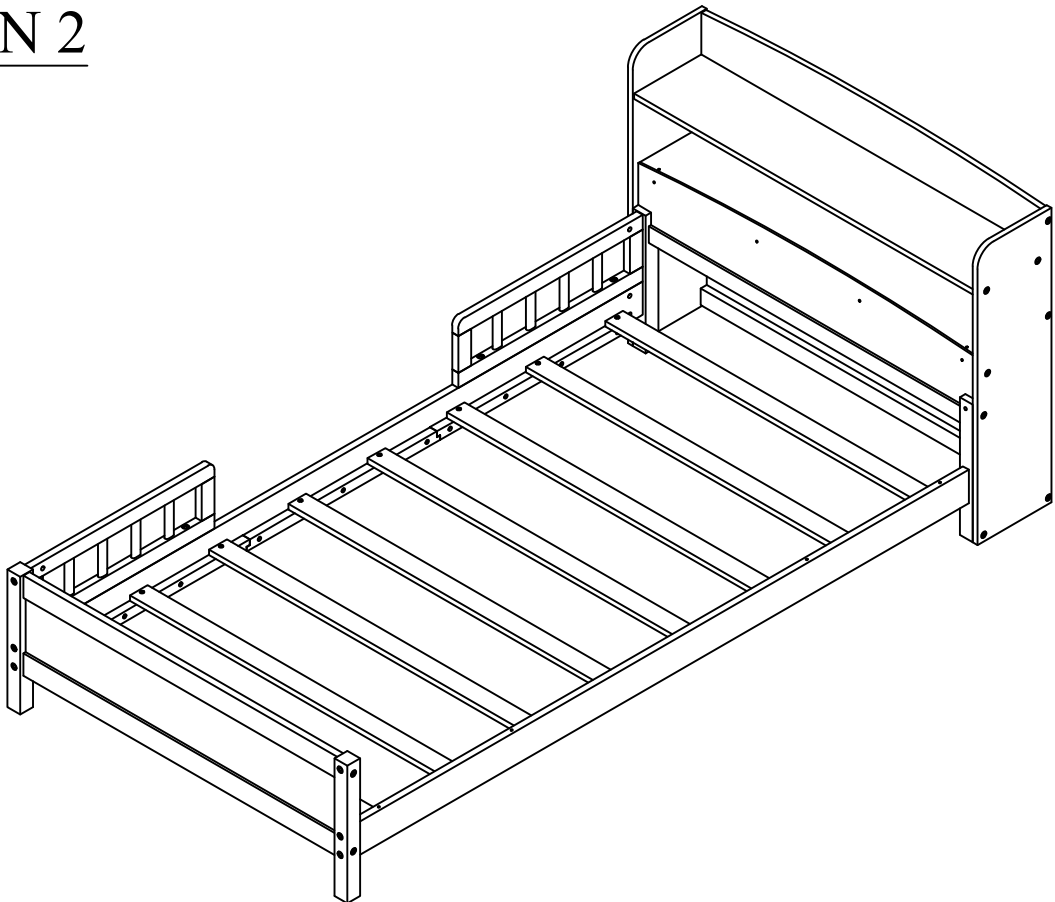


FINISH

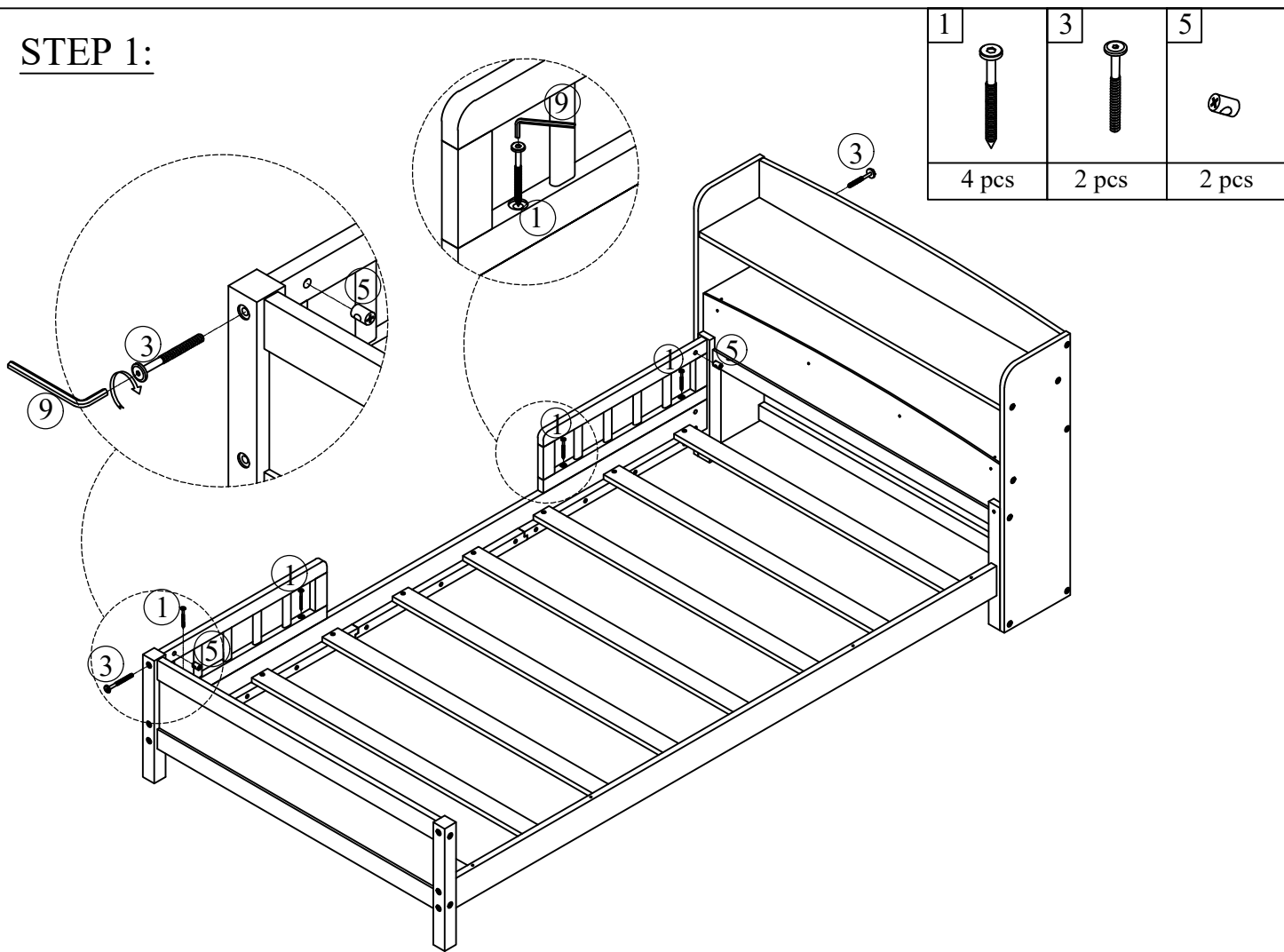
OPTION 1



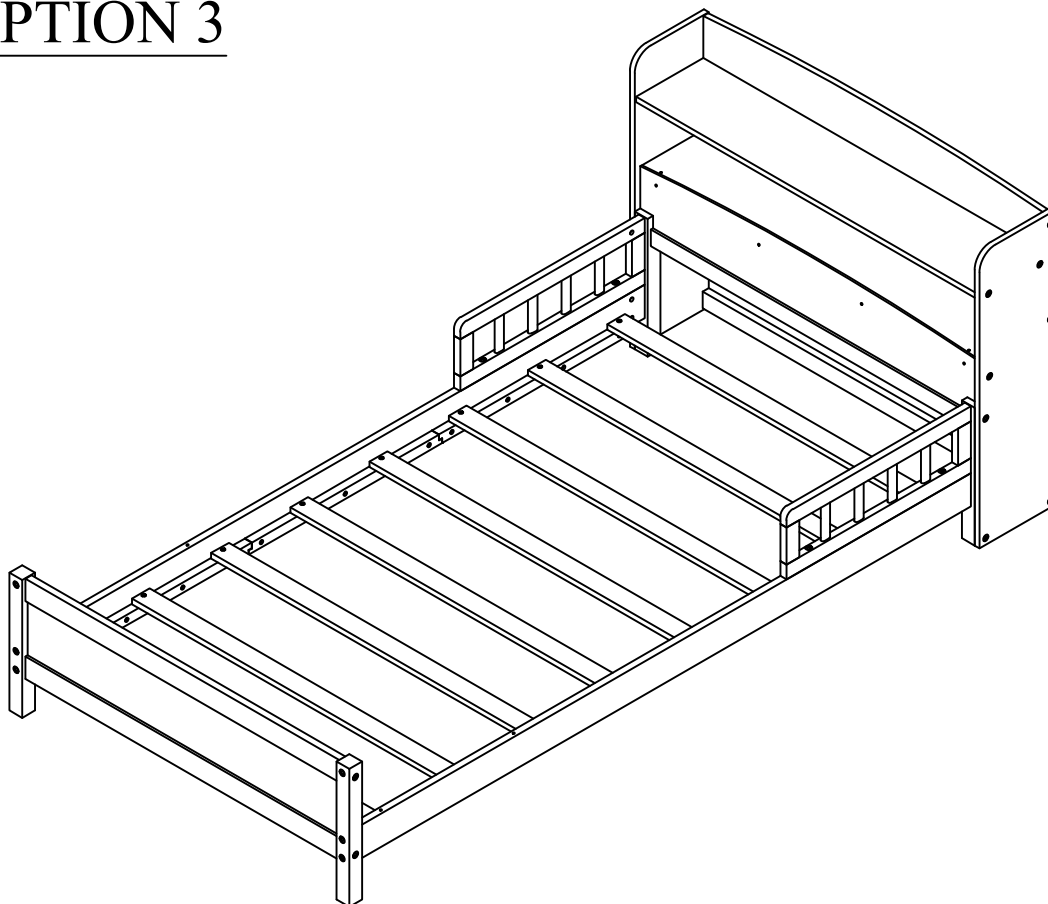
OPTION 2



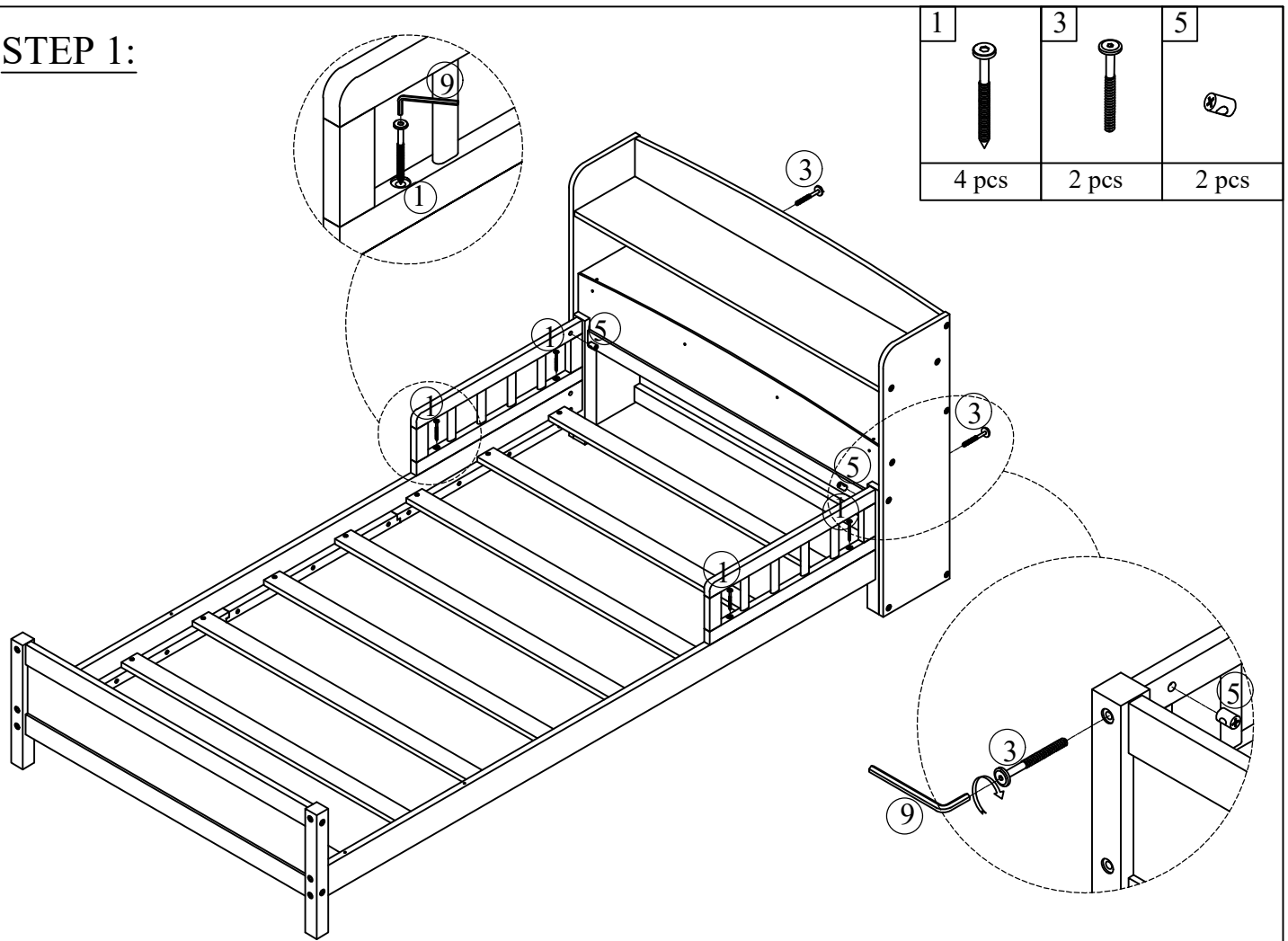
# STEP 1:



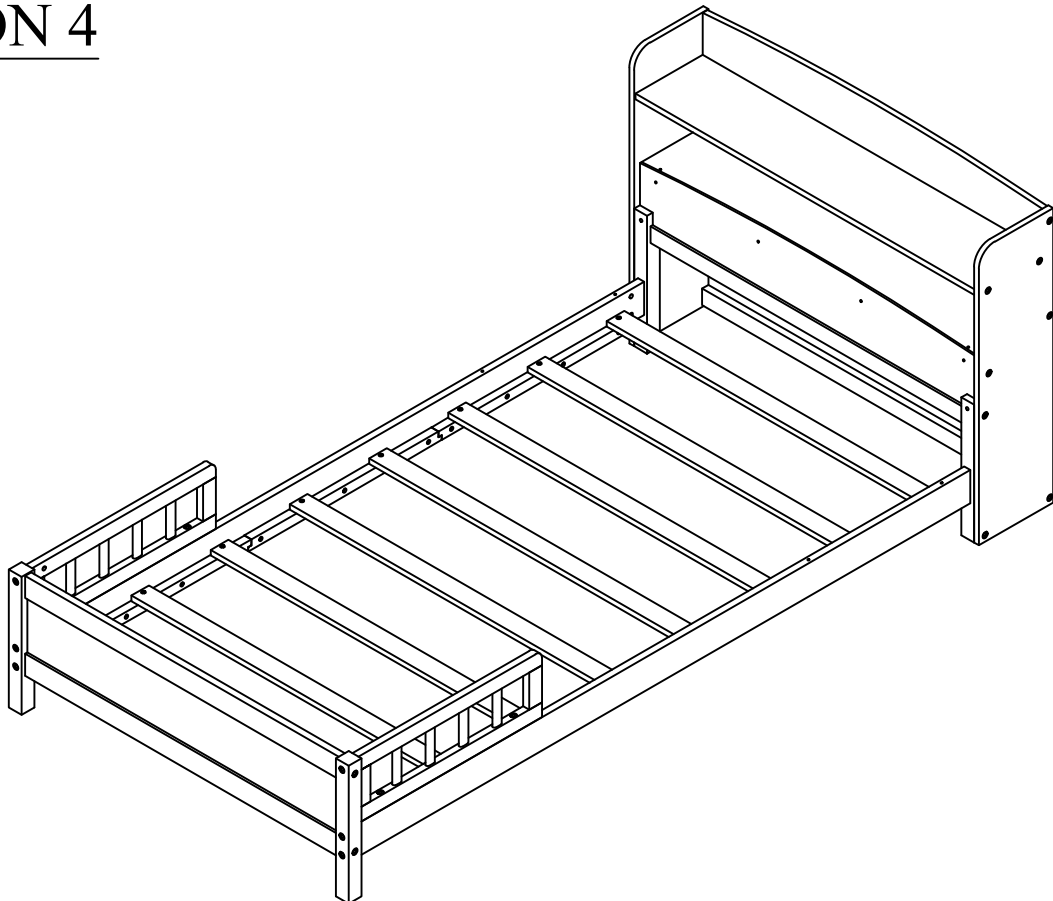
# OPTION 3






STEP 1:



OPTION 4



**STEP 1:**

1	3	5
		
4 pcs	2 pcs	2 pcs

