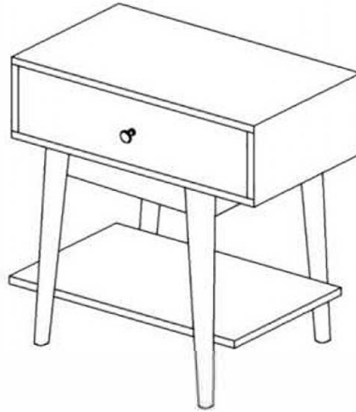


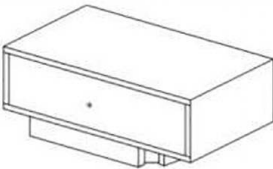


Assembly Instruction:

Caution : You must read this before you proceed






Side Table



Parts List

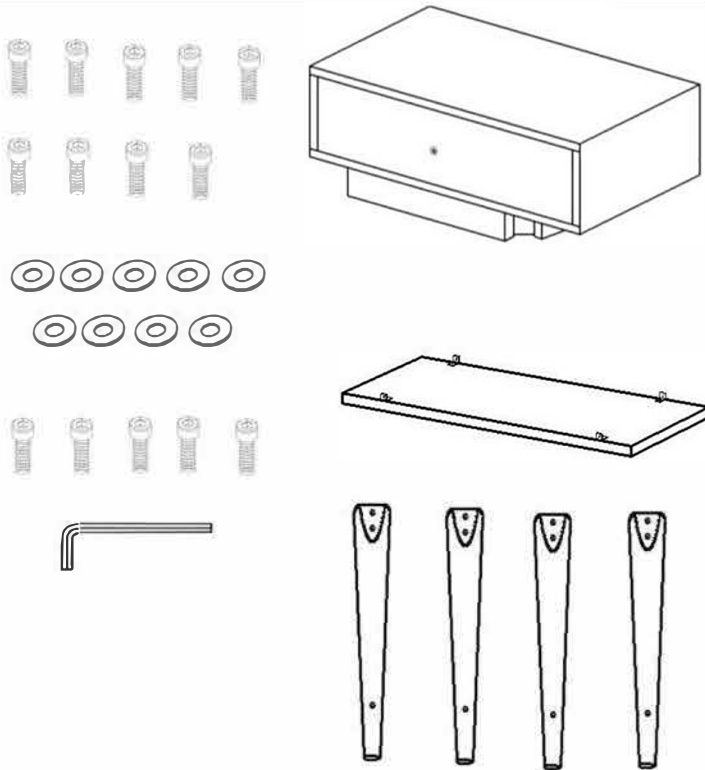
Label	Picture	Description	QTY
A		Top	1
B		Leg	4
C		Bottom Shelf	1

Hardware

Label	Picture	Description	QTY
①		Bolt (M8x25mm)	9
②		Washer	9
③		Bolt (M6x15mm)	5
④		Allen Key	1
⑤		Screwdriver (not provided)	1

Assembly Preparations

Before Beginning Assembly:



- Read instructions, cover to cover-



- Have 2 adults on hand for assembly-



- Do not assemble on flooring or carpet-



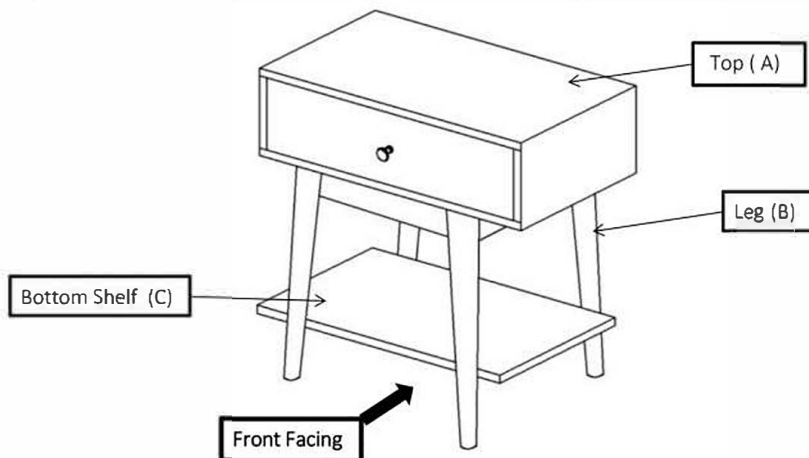
- Assemble on a clean non-marring surface (packing foam)-



- Save all packaging until finished-

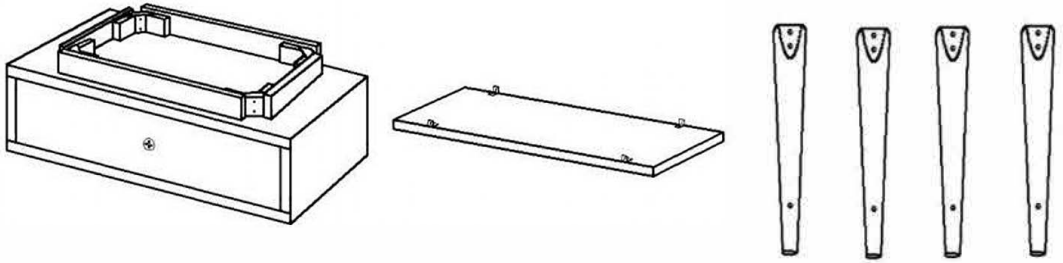
Assembly Steps

Overview



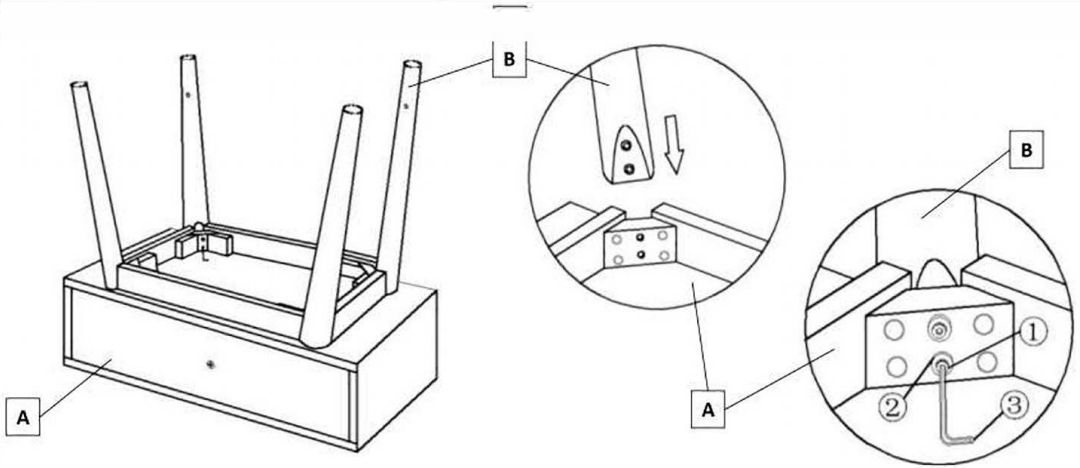
This Side table has multiple parts and may require up to some 30 minutes to assemble. To give you an overview of the Side table parts, the above picture is to help you put the various parts into perspective. Please read through the instructions below to familiarise yourself with the parts and steps before assembly.

Step 1



Unpack and place all the parts on a clean and non-marring surface.

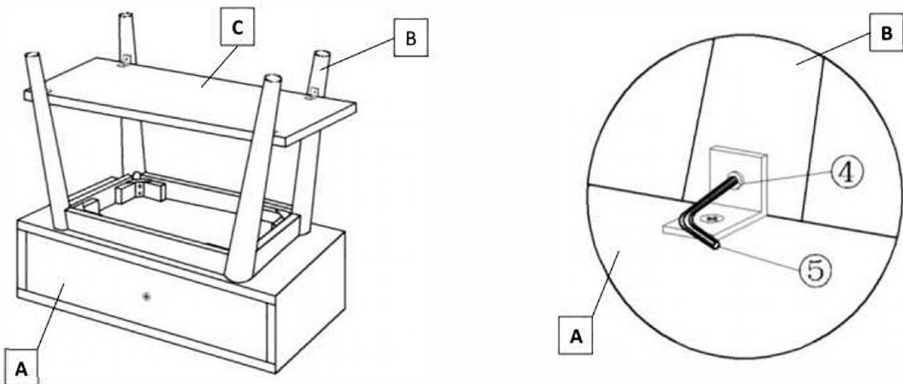
Step 2



With assistance from your adult partner, place the Top (A) face down as shown in picture. Affix the Leg (B) in to the Top (A) using Allen Bolt (①), Washer (②) and Allen key (③).

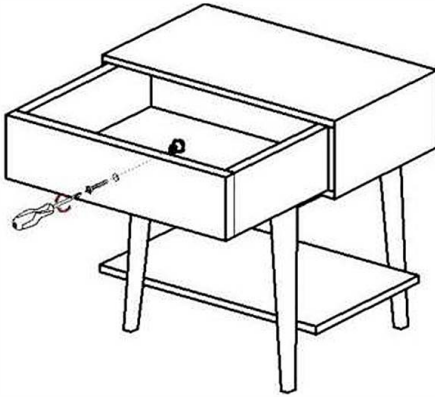
Repeat "Step 2" to assemble all the other Legs (B) to Table Top (A).
DO NOT FULLY TIGHTEN THE LEGS.

Step 3

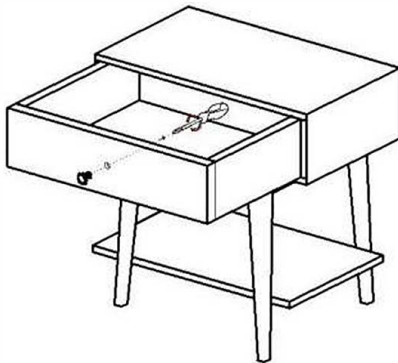
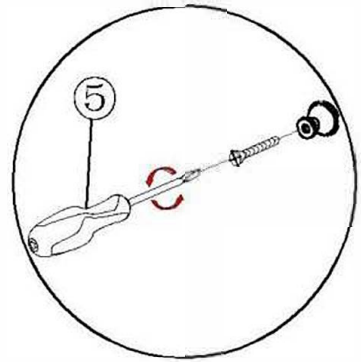


As shown in the "Step 3" picture, Affix the Shelf Support (C) in to the Legs (B), Using Allen Bolt (④) and Allen Key (⑤).
DO NOT FULLY TIGHTEN THE BOLT.

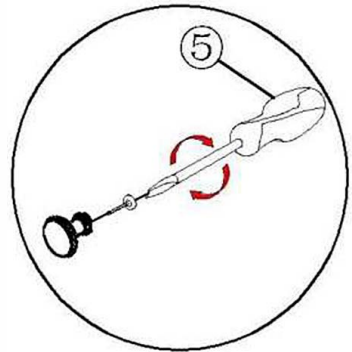
Step 3



3.1



3.2



With help of your adult partner, carefully stand the Side Table .

3.1) Put out the drawer and de-attach the knob which is attached inside the drawer in Anti-clockwise using Screwdriver (5) .

3.2) Install the knob with the help of Screwdriver (5) clockwise as picture above.

Step 4














Check the product if stable and not wobbling. Once done, tighten all the bolts to secure the Side table.

This Side table is now ready to use.

Caution 1: This Side table can only be used on flat, level surface.

Care & Maintenance

- ✓  ● Furniture may scratch floors. We recommend using furniture pads to protect your floors.
- ⊘  ● Do not put hot items directly on furniture surface.
- ⊘  ● Do not clean furniture with harsh cleansers or polish.
- ⊘  ● Do not place furniture under direct sunlight.
- ⊘  ● Do not place furniture near heating or cooling vents.
- ⊘  ● Do not write on furniture without a padded barrier to protect the surface.
- ⊘  ● Do not place furniture outside . For indoor use only.
- ⊘  ● Not for commercial use. For residential use only.
- ⊘  ● Stains may be removed with mild soap solution and damp cloth.
- ⊘  ● Children should not climb or jump on the furniture.
- ✓  ● Dust and pick-up spills using a clean, non-colored, lint-free cloth.