




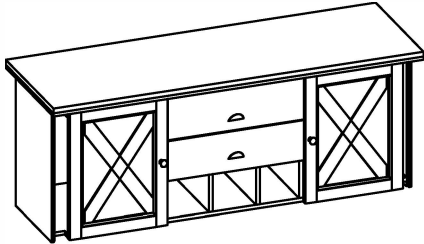
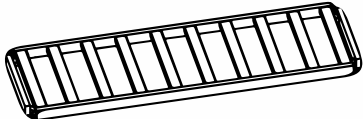
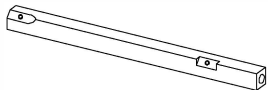


ASSEMBLY INSTRUCTION

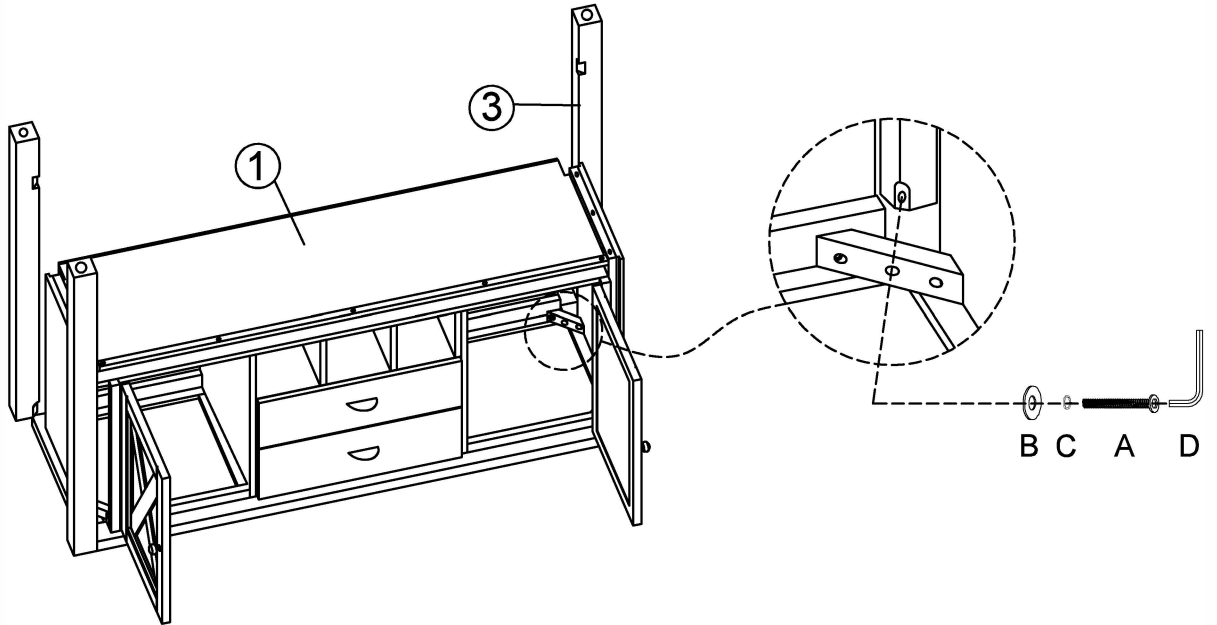
**NOTE: THIS ITEM NOT RECOMMENDED FOR COMMERCIAL USE
KEEP THIS DOCUMENT FOR REFERENCE IN CASE PARTS ARE NEEDED
DO NOT TIGHTEN SCREWS UNTIL COMPLETELY ASSEMBLED !!**

HARDWARE LIST			
NO		DESCRIPTION	QTY
A		BOLT 5/16" x 63.5MM	8PCS
B		WASHER 2 x 5/16" x 22MM	8PCS
C		LOCK WASHER 1 x 5/16" x 12MM	8PCS
D		ALLEN KEY 4MM	1PC
E		TIPPING RESTRAINT	1SET

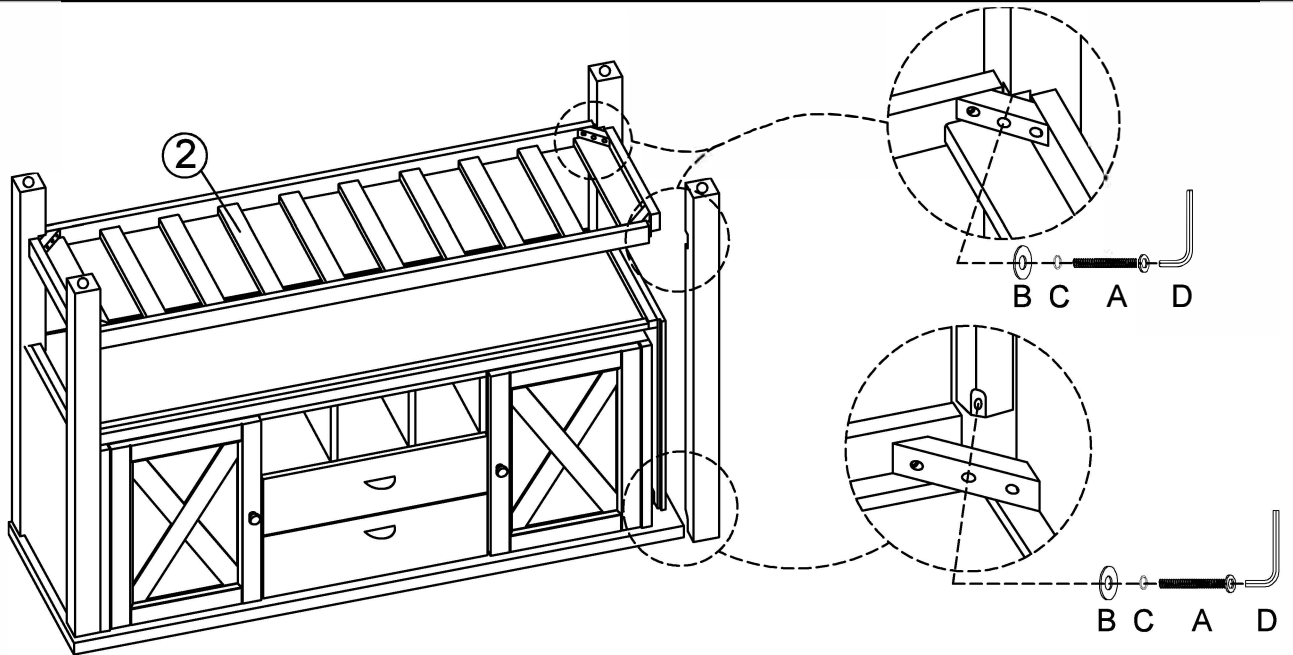
PART LIST			
NO			QTY
1		TABLE TOP	1PC
2		BOTTOM PANEL	1PC
3		LEG	4PCS

ASSEMBLY INSTRUCTION

Step 1



Step 2



Step 3

★ Remark: there is a tip restraint kit provided on the back of this product. Please read the directions thoroughly and install immediately when placed in home

