

THANK YOU FOR CHOOSING US!

Your new bed has arrived and it will make your life so much easier. That's why we put so much effort into designing it to perfectly fit your needs.

But first things first, we need to install it!

When we say "we" , we mean we're going to guide you, step by step. We created this instructions manual so that you won't feel overwhelmed and get your new bed up and ready to use in no time! We also know that sometimes things just don't seem to fit, so don't hesitate to drop us a line if you have questions or need help!

Anyways, this bed CAN'T WAIT To BE OF SERVICE so let's assemble it!

MISSING A PART? DON'T WORRY, WE GOT YOUR BACK!

Compare the sketch on the next page with your package. Are all the pieces there? However, sometimes errors happen,so if anything is missing just send us an email and we will make sure to fix it!

Before you start, here are a few quick pointers:

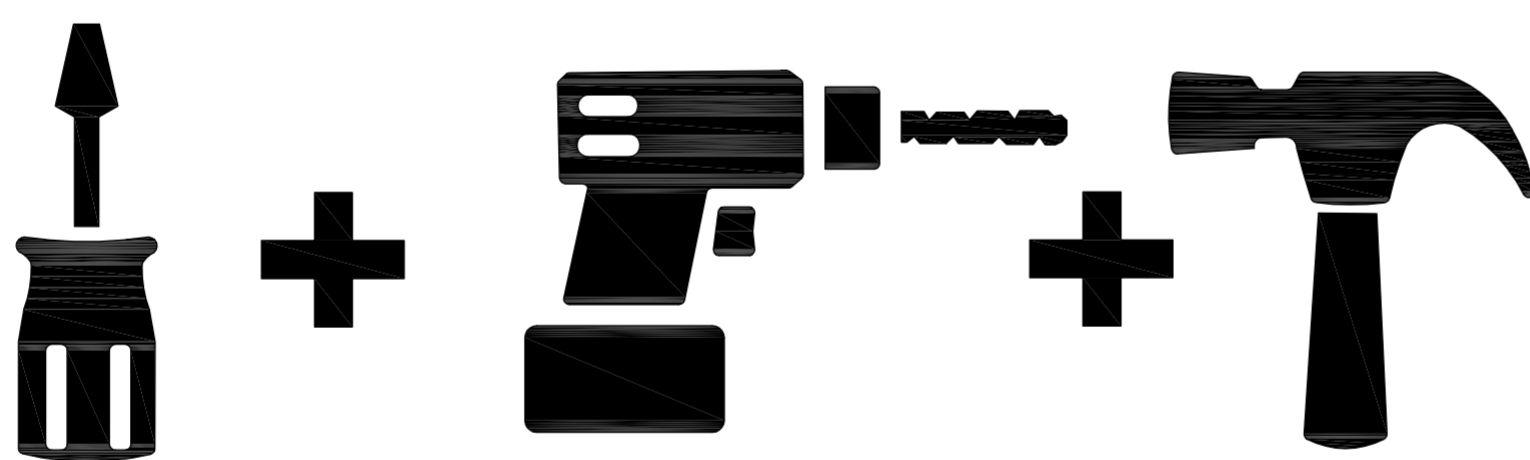
The installation requires two people. so call a friend to join the fun!

For more stability, it's best to anchor the bed to the wall.

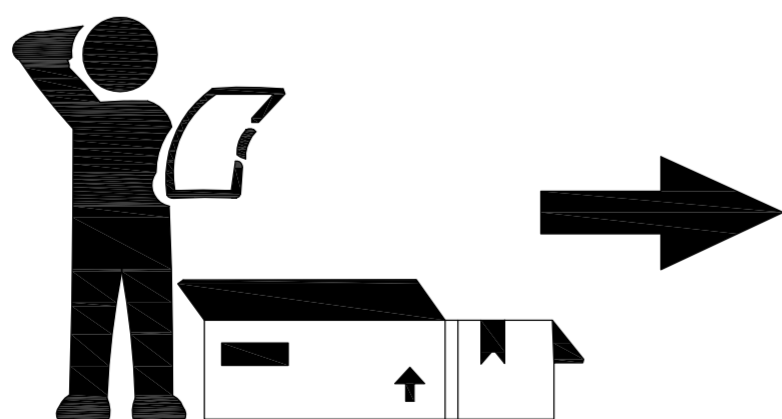
In this case, along with the items provided you will also need a **Level, Percussion Drill and a Hammer**



**SUGGEST
2PEOPLE**



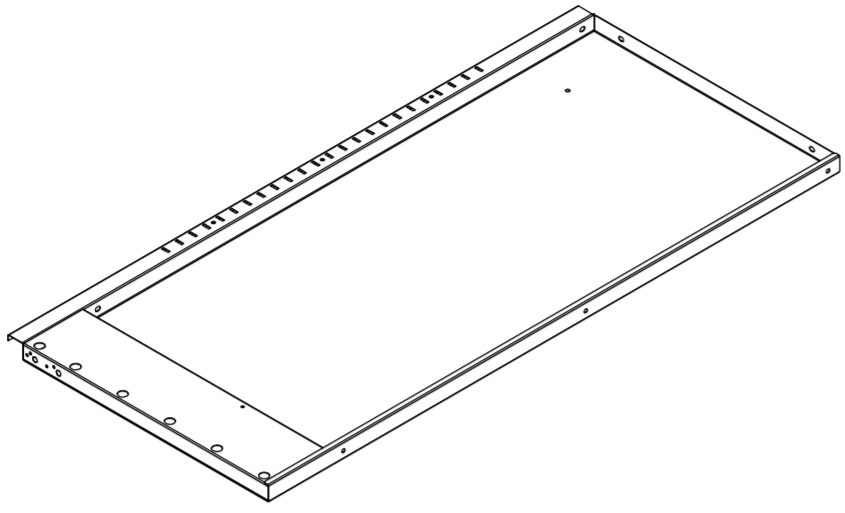
**TOOLS
REQUIRED**



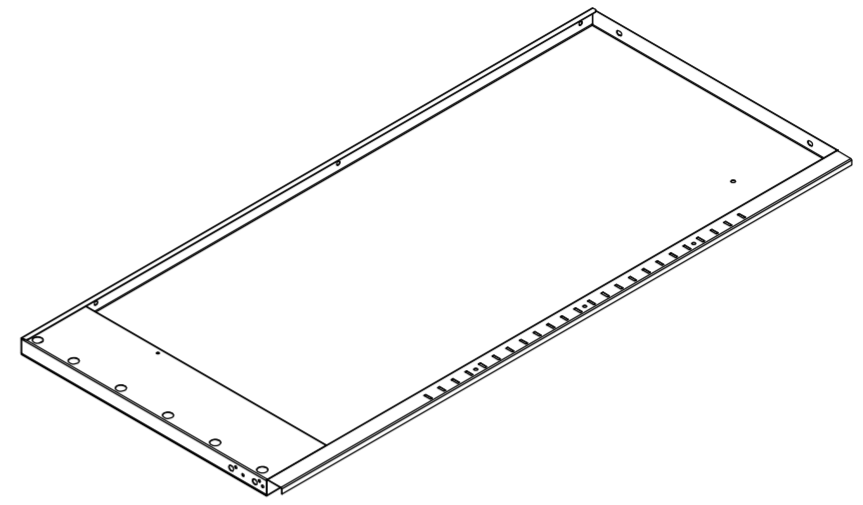
**WE ARE
GLAD TO
HELP**

PARTS LIST

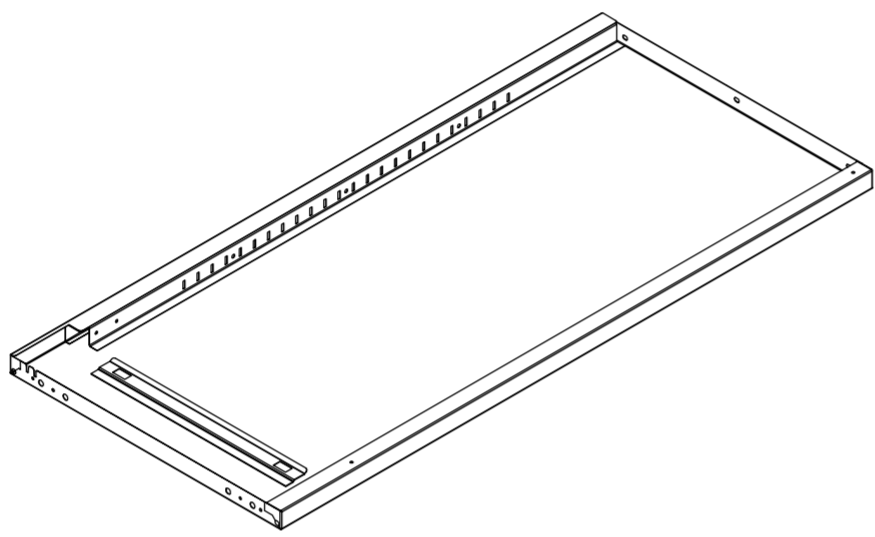
A*1



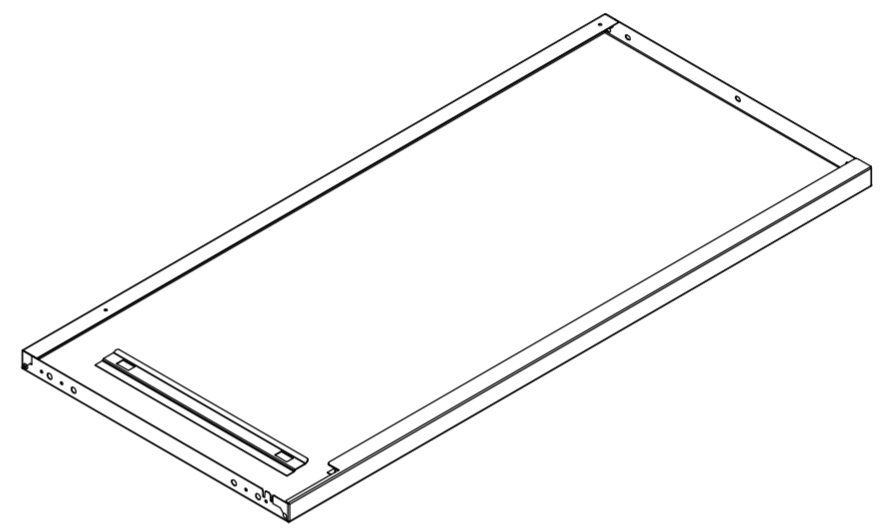
B*1



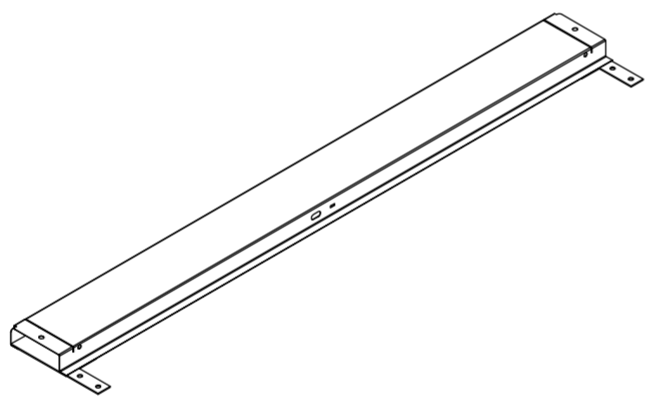
C*1



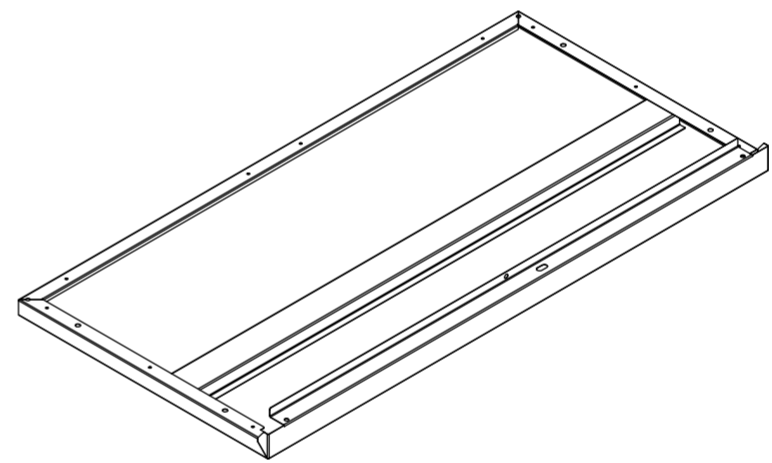
D*1



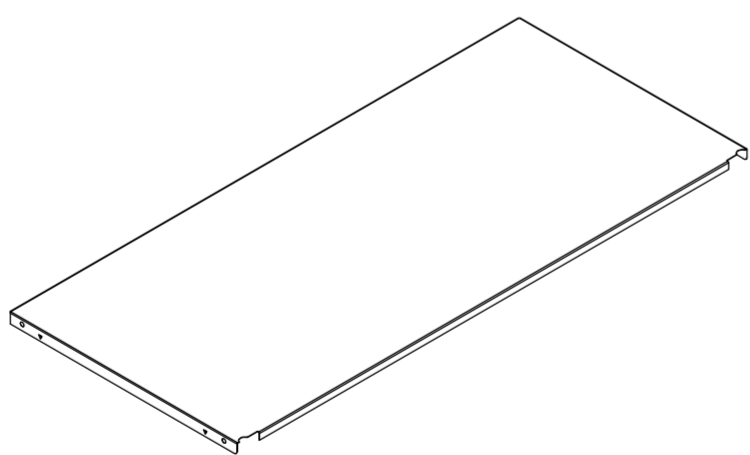
E*1



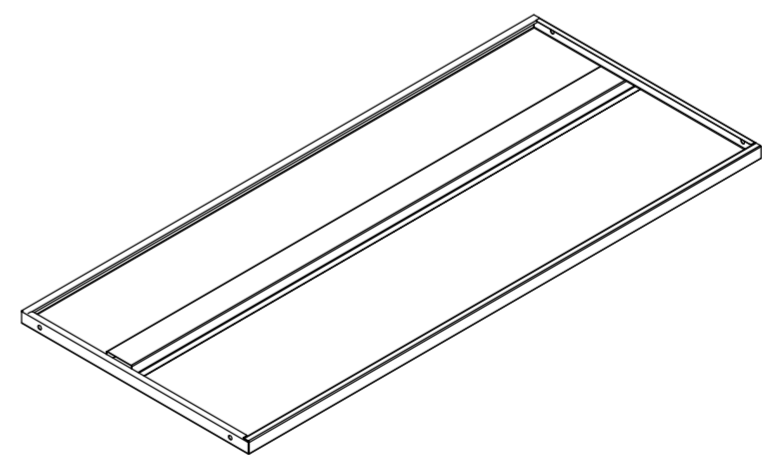
F*1



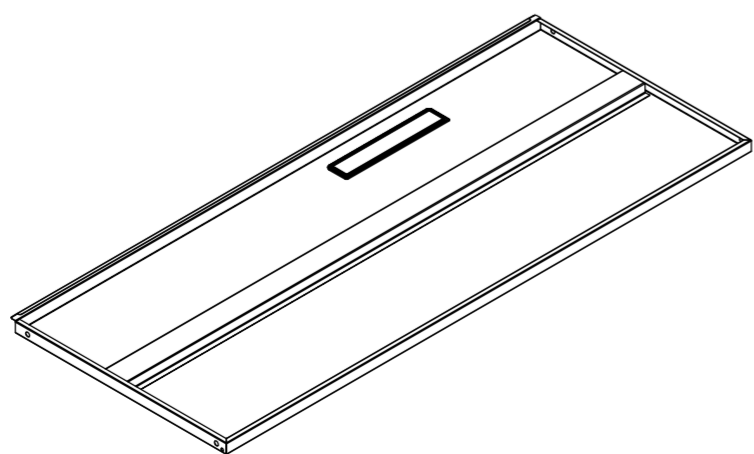
G*1



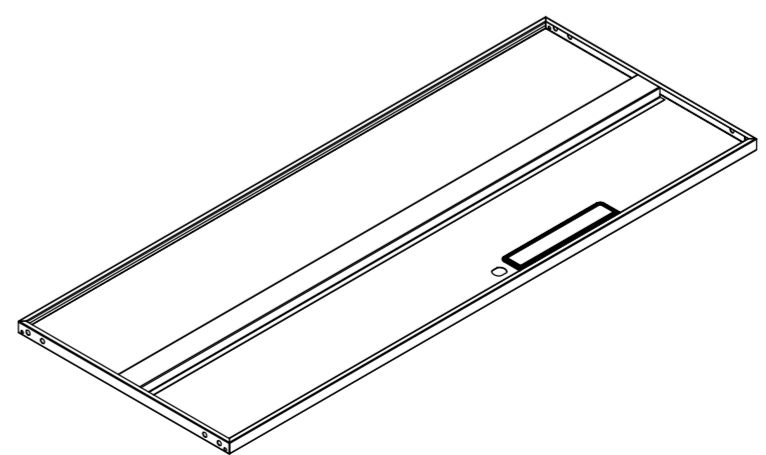
H*2



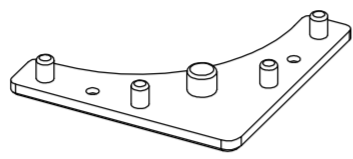
I*1



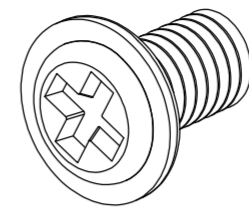
J*1



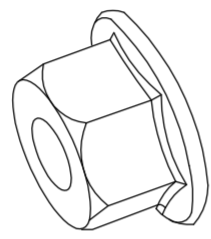
O*4



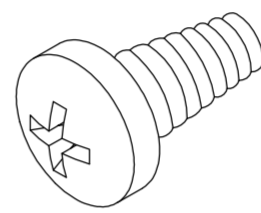
P*3



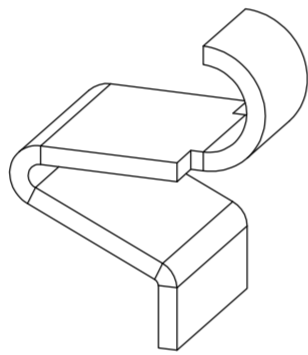
Q*3



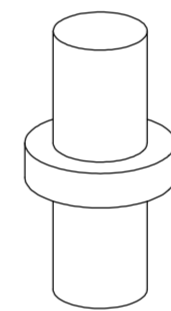
R*28



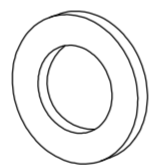
S*8



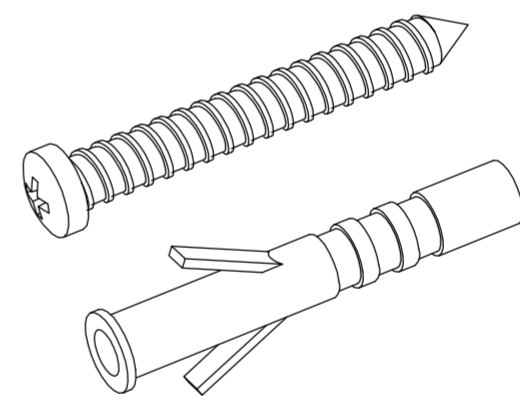
T*2



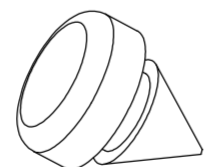
U*4

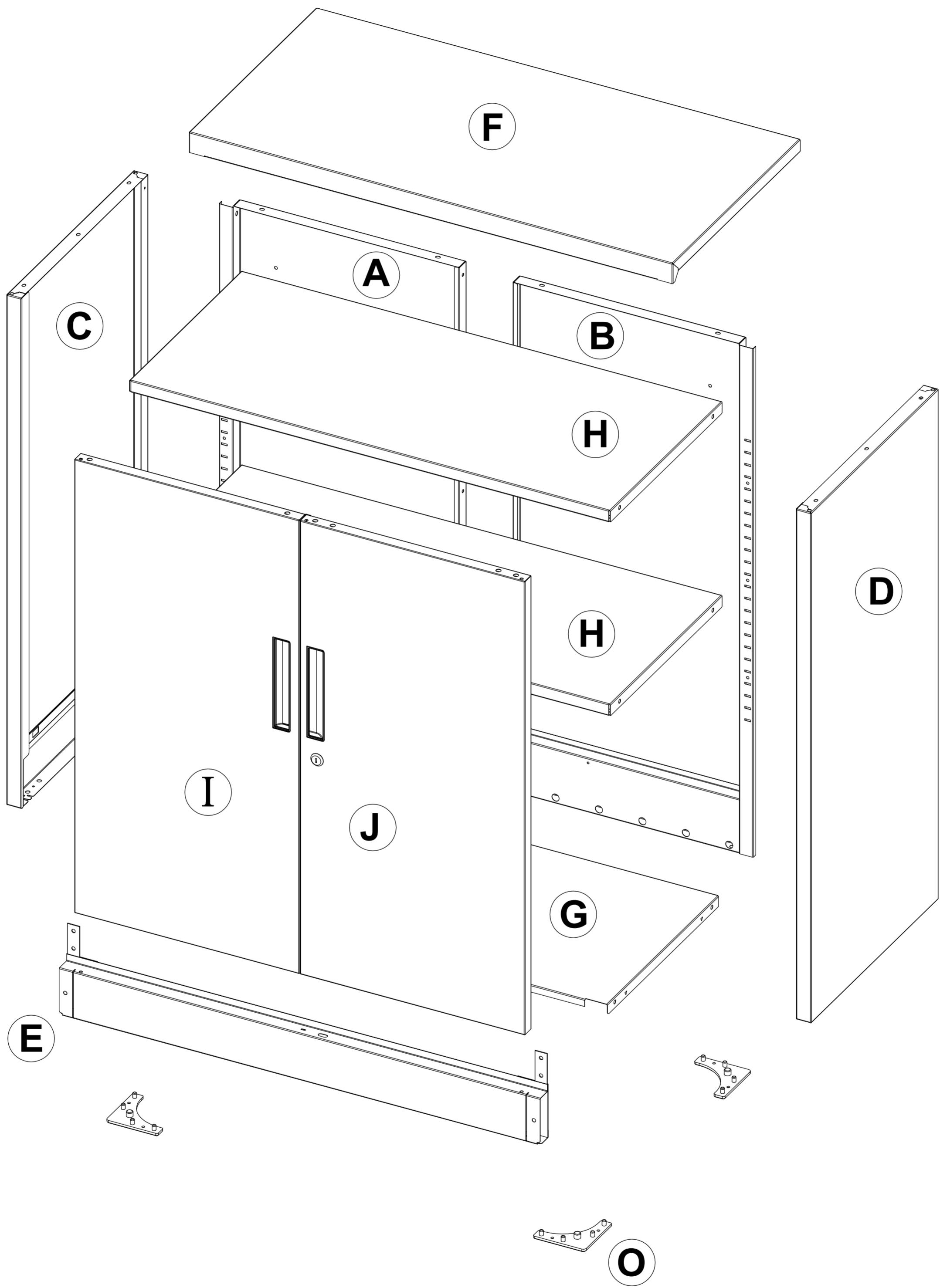


V*2



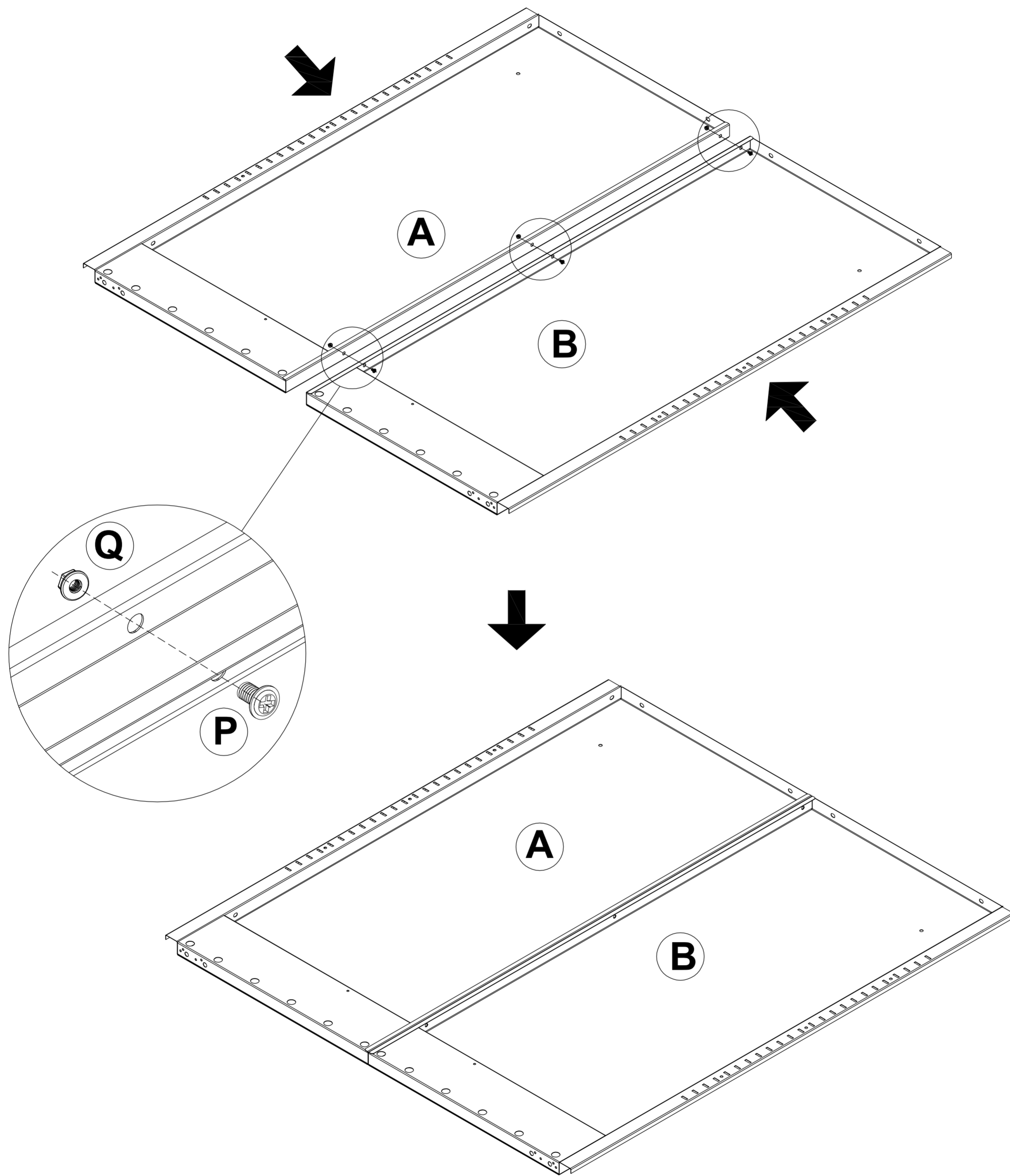
W*1


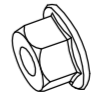




Step 1

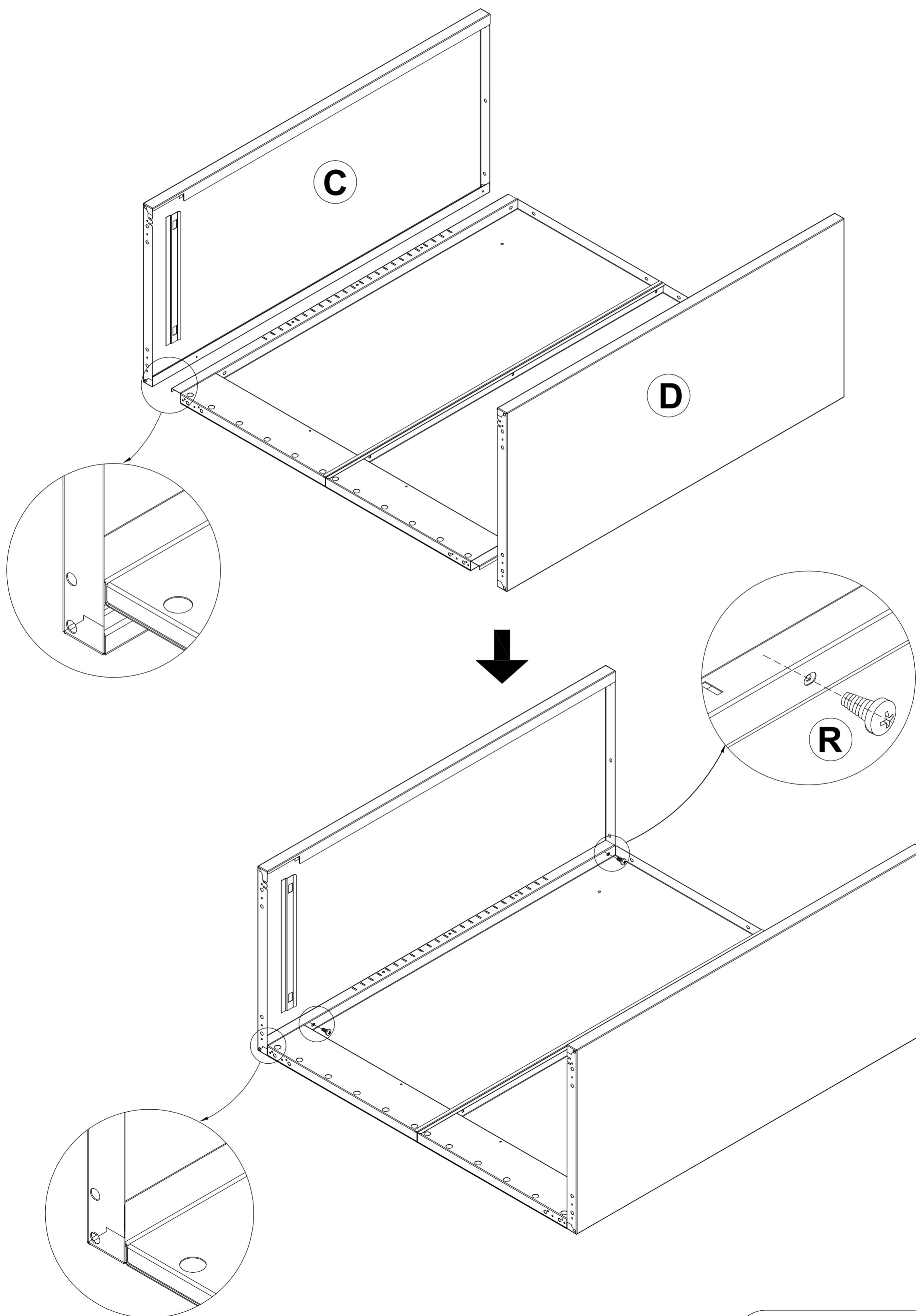
Connect panel A and panel B to each other, align the hole position, and secure with screw P and nut Q.

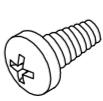


- | | | |
|----------|---|-------|
| P |  | 3 PCS |
| Q |  | 3 PCS |

Step 2

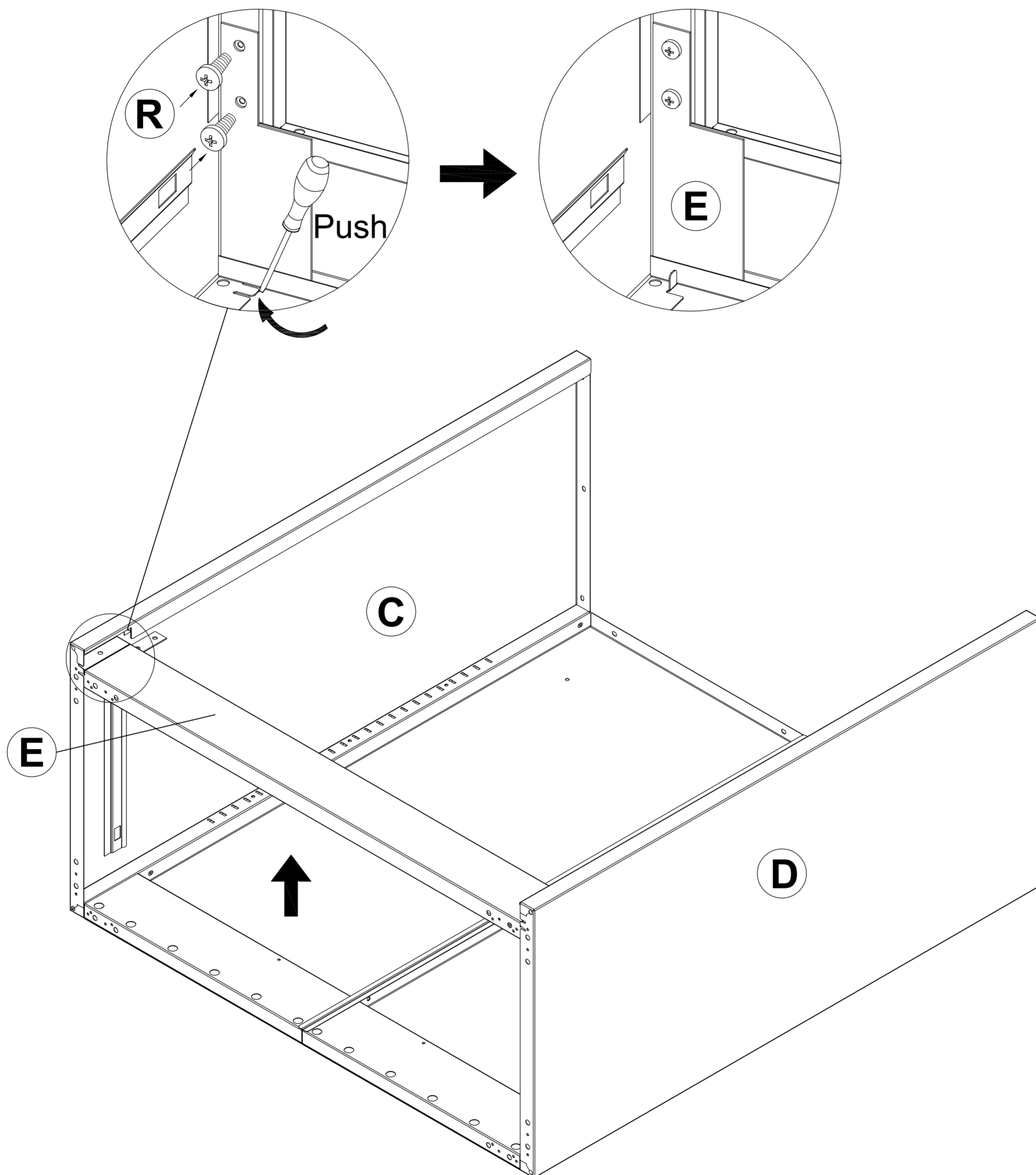
Connect panel C to panel A and panel D to panel B, then align the hole position and secure with screw R.

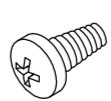


R  4 PCS

Step 3

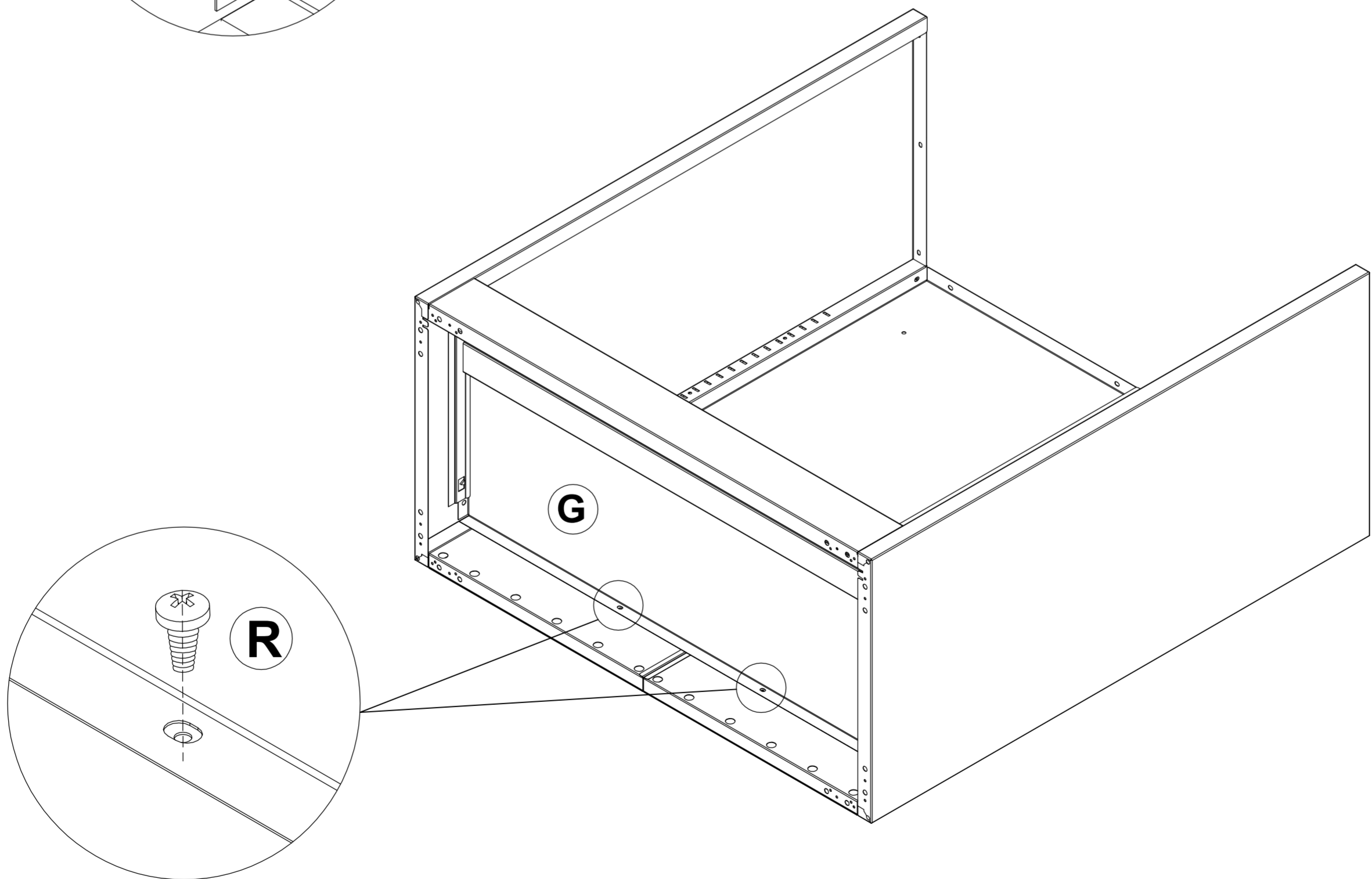
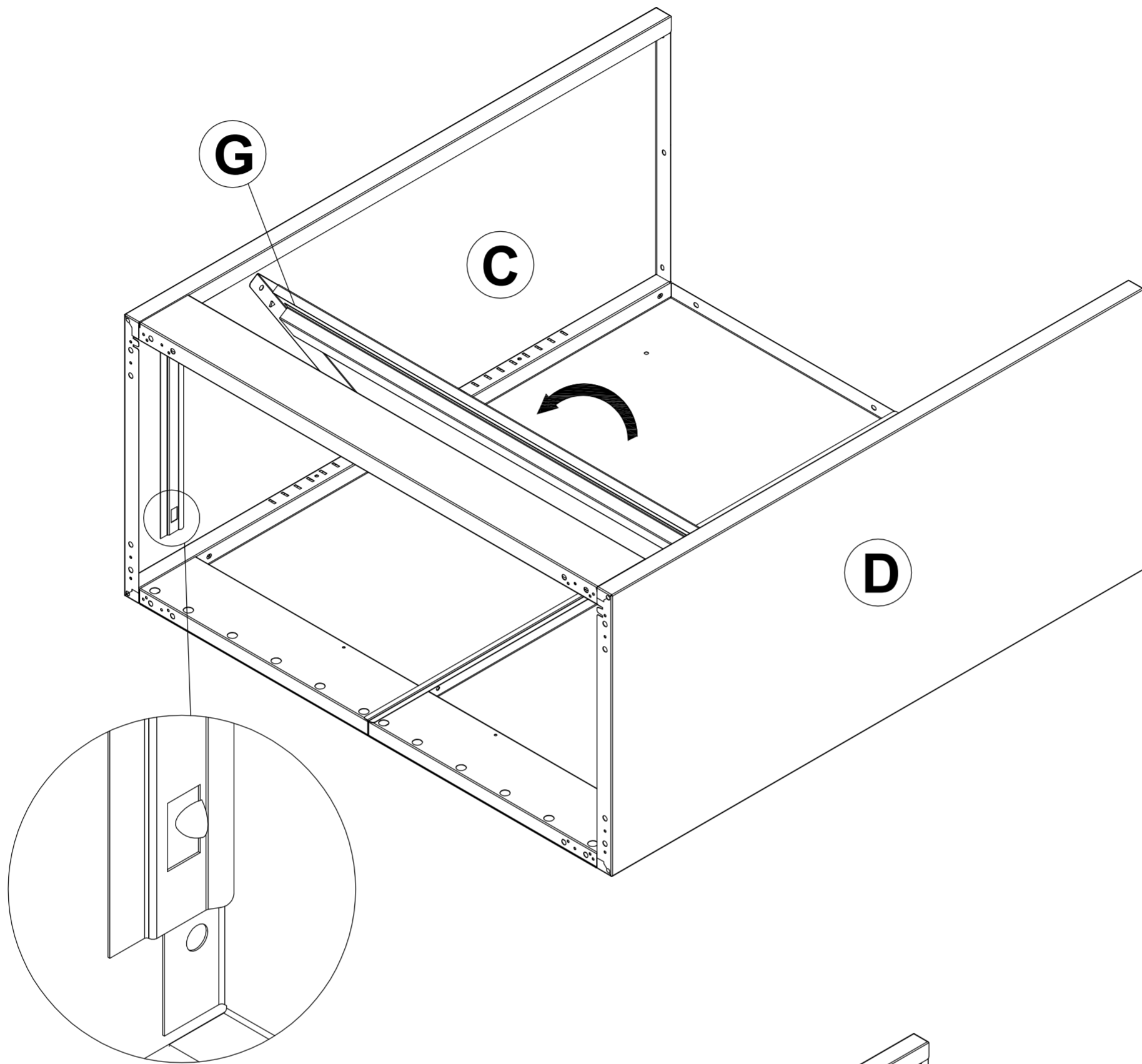
Set the frame E at the bottom of the C D position.
Drive two screws on each side.

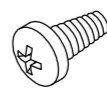


R  4 PCS

Step 4

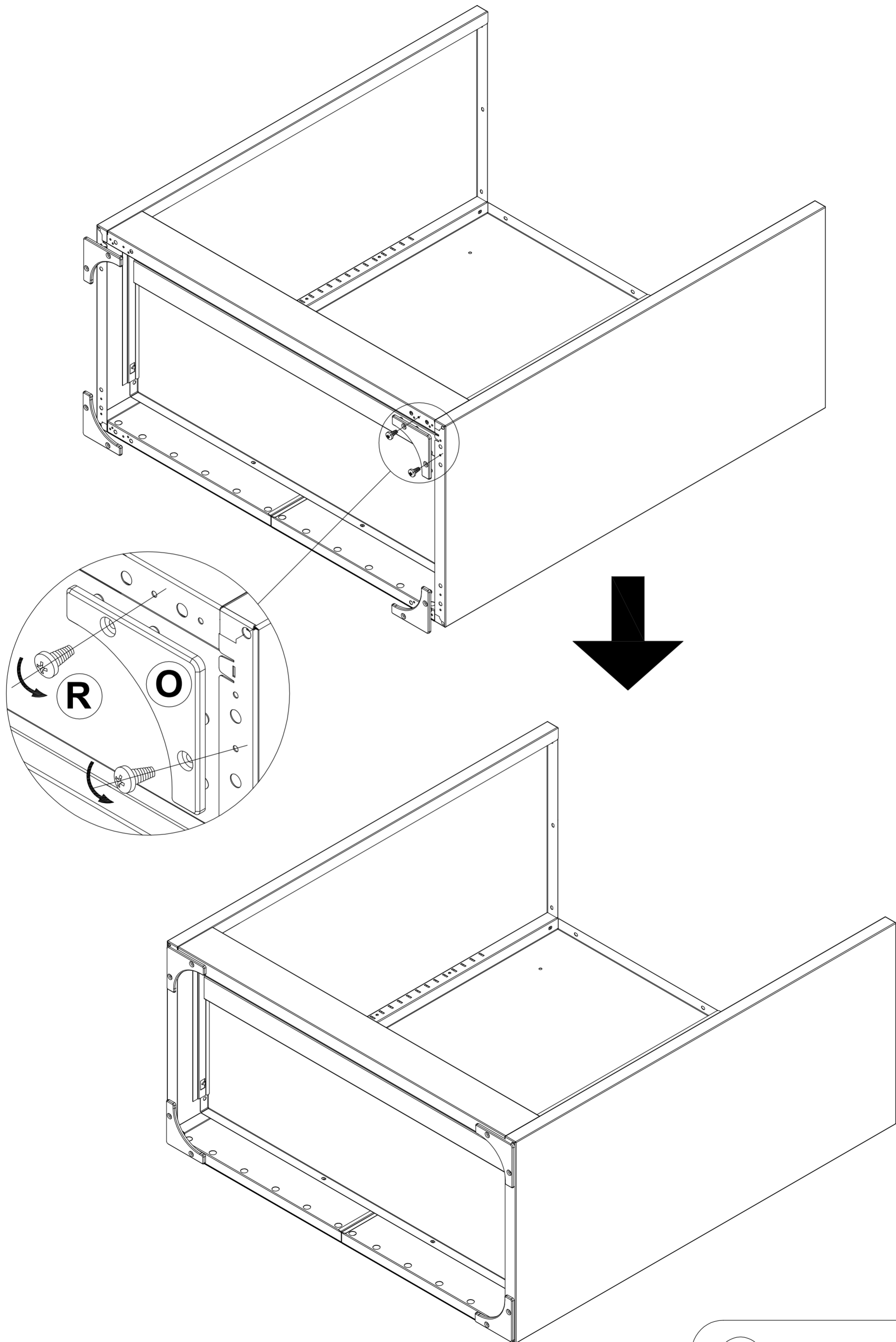
Connect C to G and D to G.
Connect A to G and B to G with two screws R.

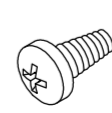
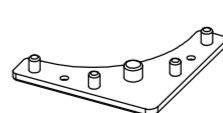


R  2 PCS

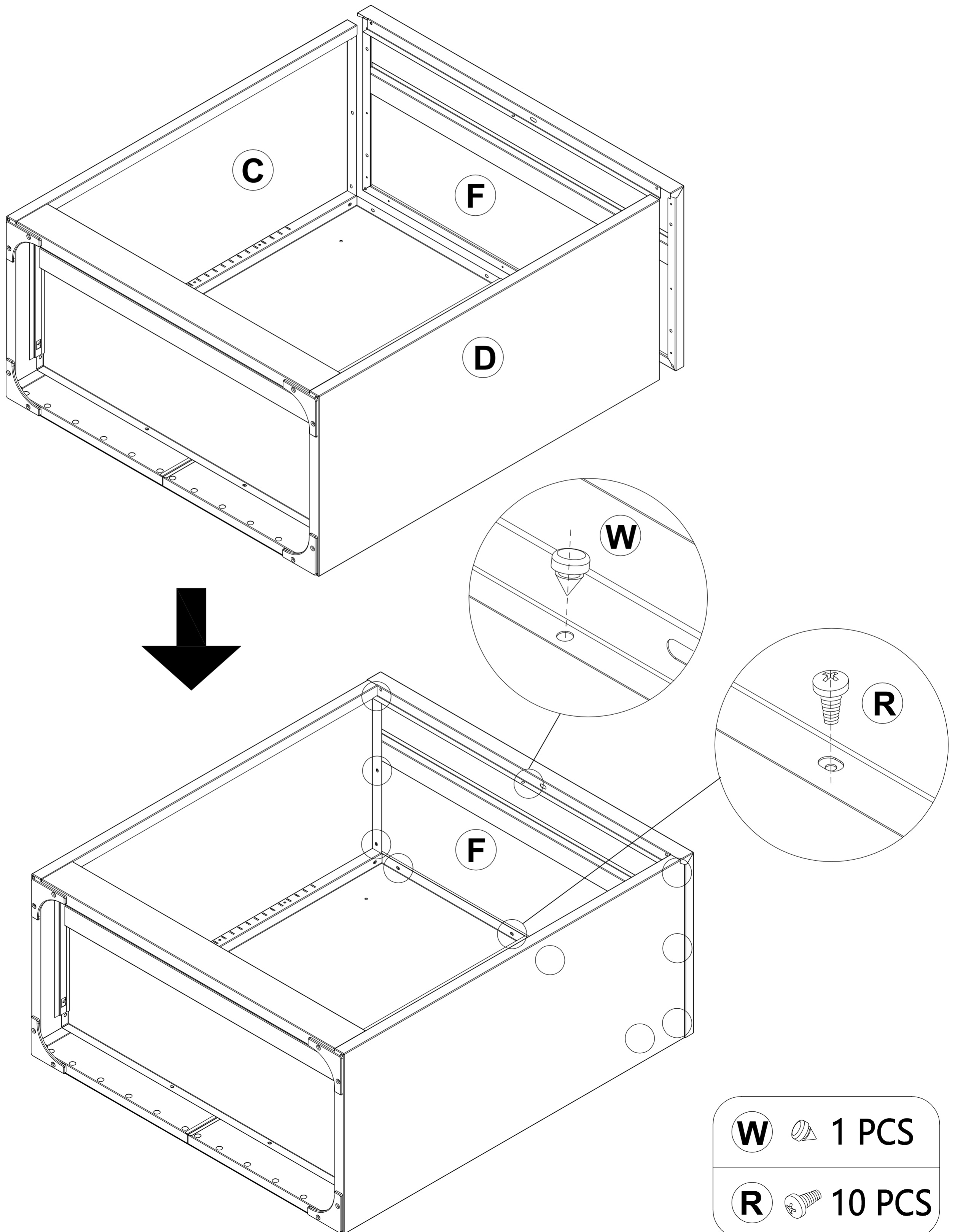
Step 5

Fix the four standing feet O to the four bottom feet with screws R.



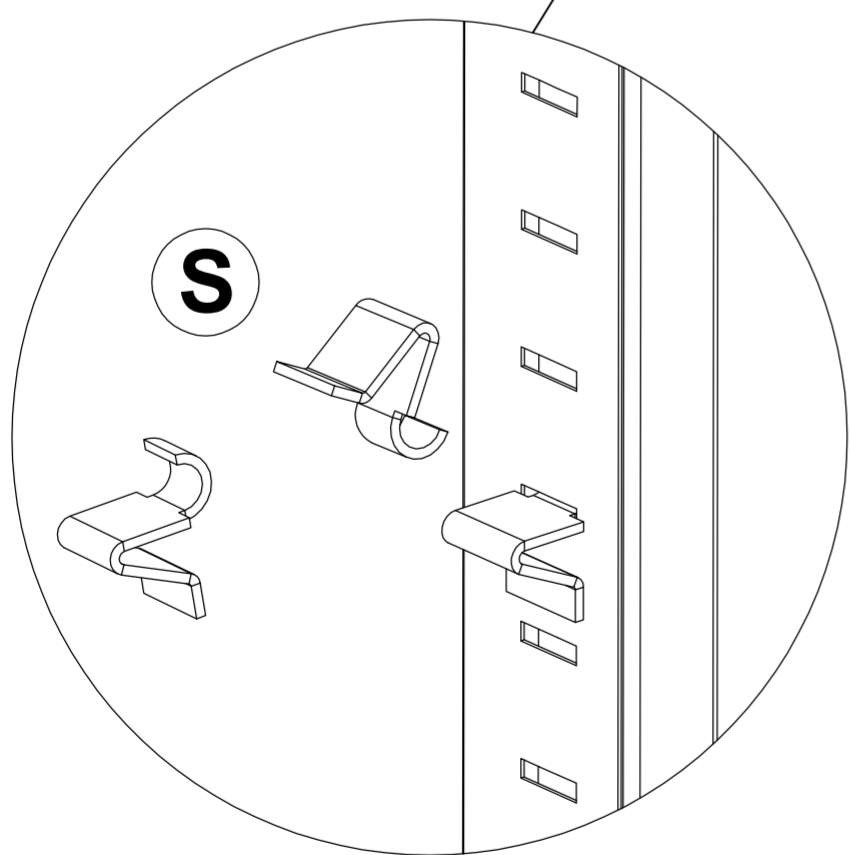
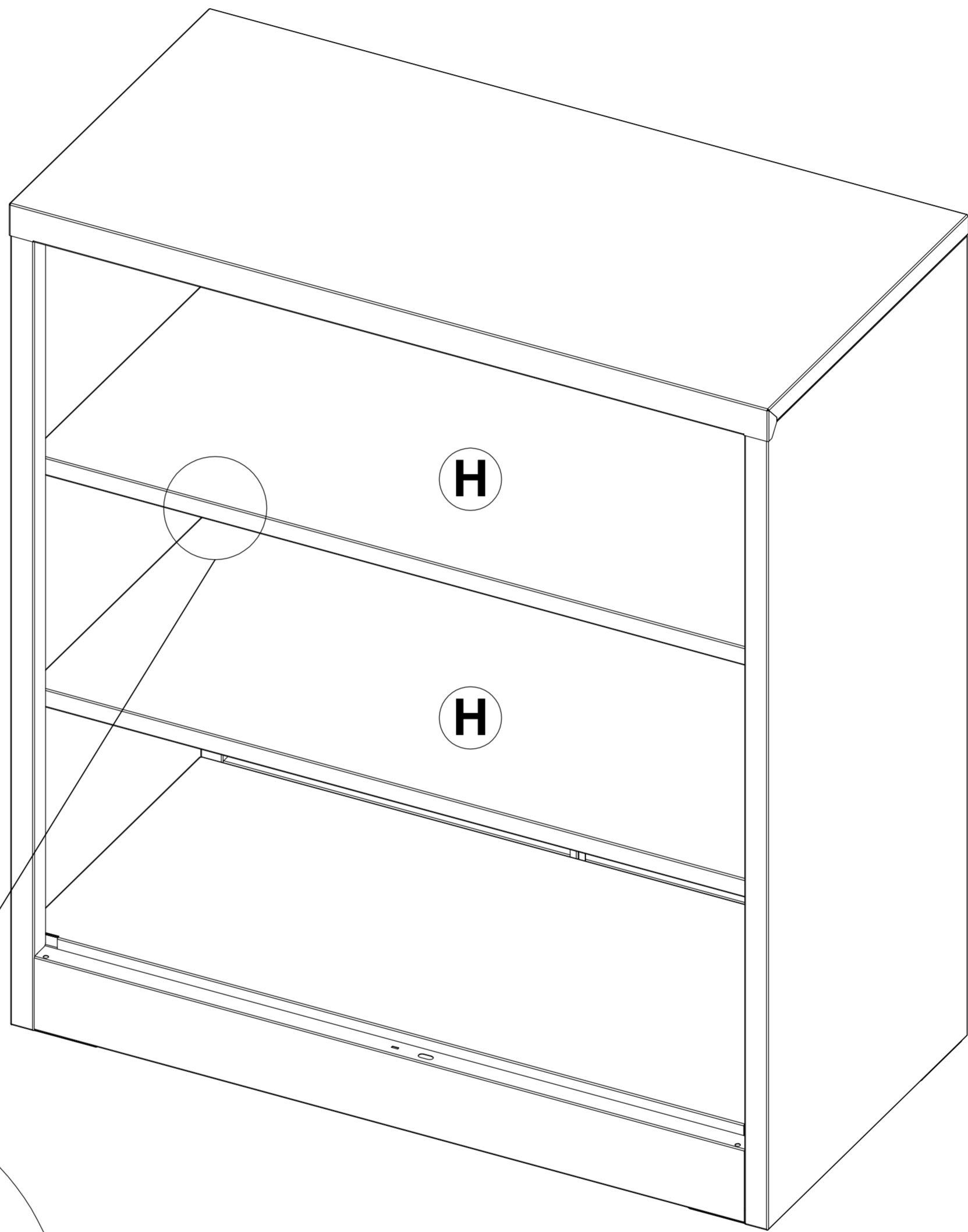
- | | | |
|----------|---|-------|
| R |  | 8 CS |
| O |  | 4 PCS |

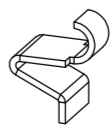
Step 6 Push the top plate F from front to back and fix it in the top position, then align the holes and fix them with 8 screws R. finally install the W on the F above.



Step 7

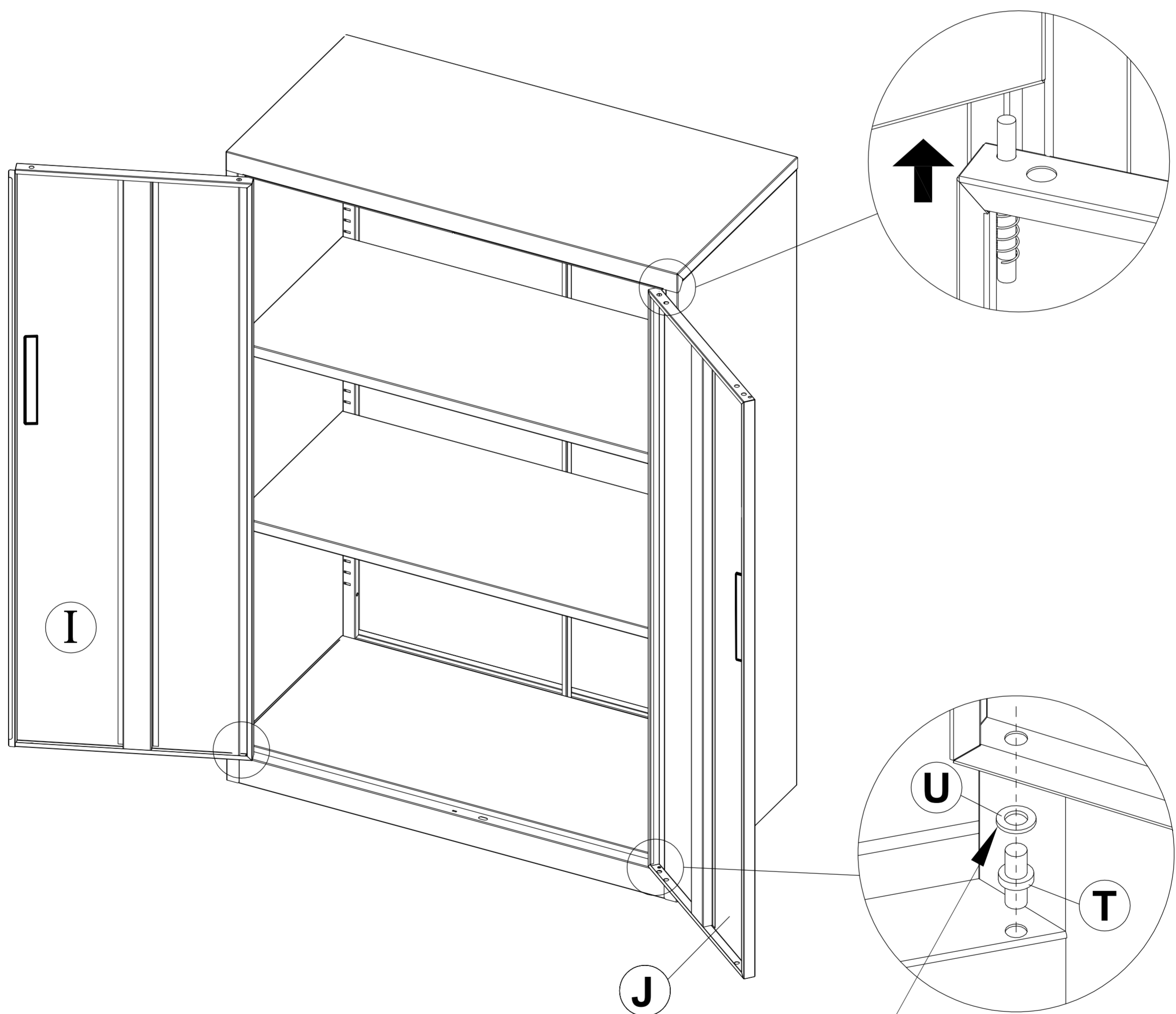
Add the shelf bracket S and the shelf H.



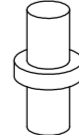

S  8 PCS

Step 8

Insert the metal post T and the washer U into the bottom hole on both sides then press the spring door shaft to enter the door shaft hole.

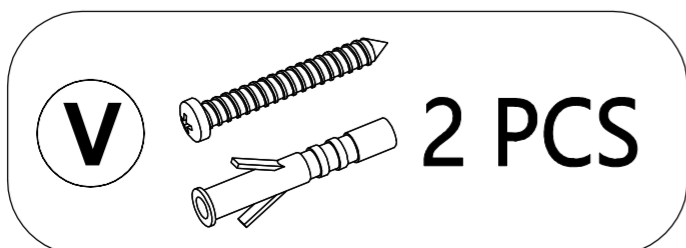
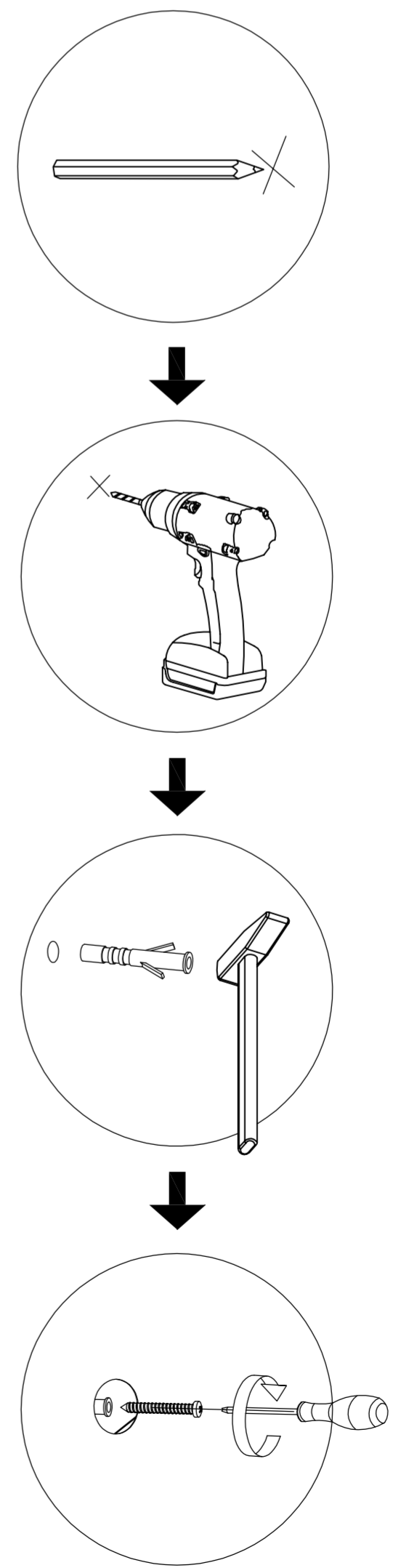
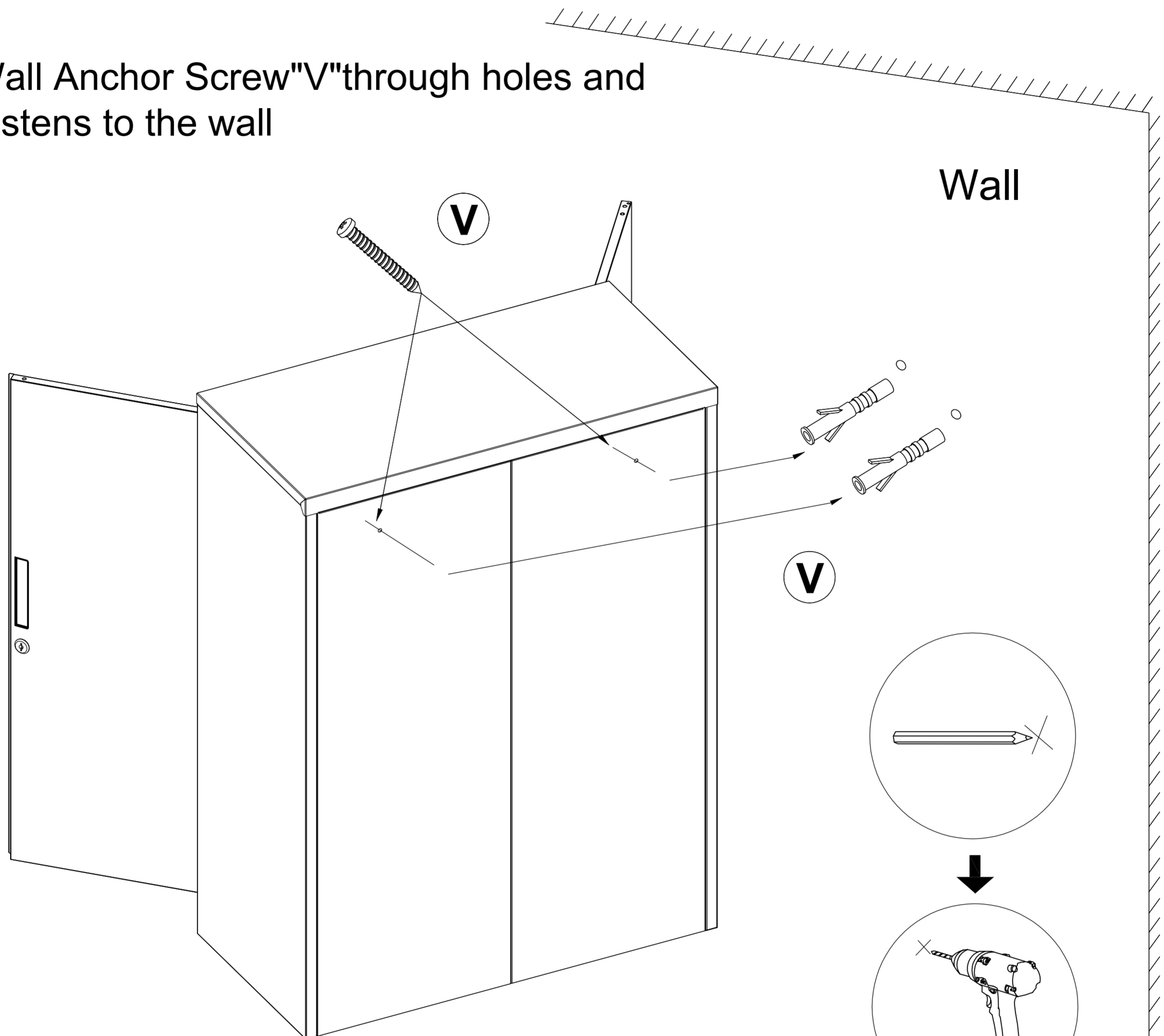


The number of washer used can be adjusted according to the actual situation.

- | | | |
|----------|---|-------|
| T |  | 2 PCS |
| U |  | 4 PCS |

Step 9

Wall Anchor Screw "V" through holes and fastens to the wall



Step 10

This Product is designed for stationary use only.
Do not use it with any type of mobile cabinet conversion device.

