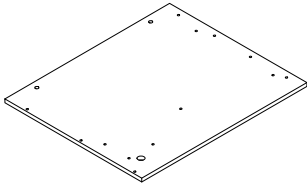
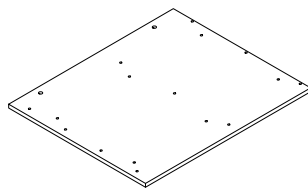


ASSEMBLY INSTRUCTION

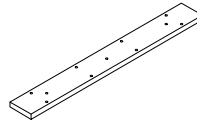
① 1PC



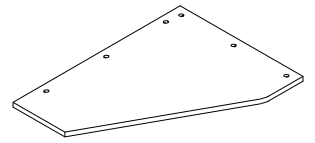
② 1PC



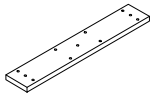
③ 1PC



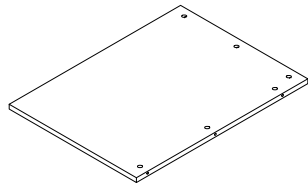
④ 1PC



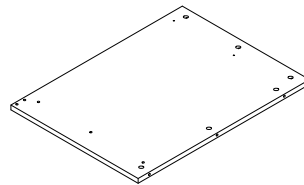
⑤ 1PC



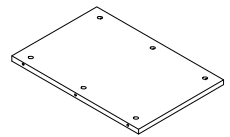
⑥ 1PC



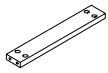
⑦ 1PC



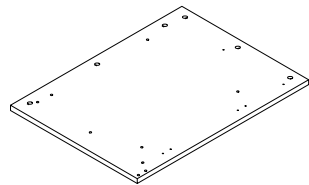
⑧ 1PC



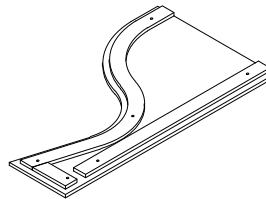
⑨ 1PC



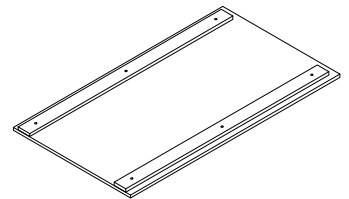
⑩ 1PC



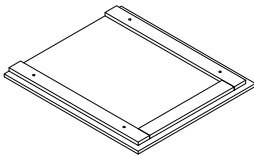
⑪ 1PC



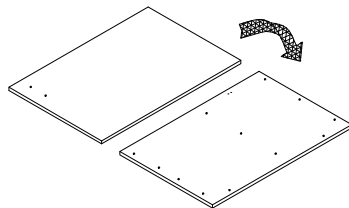
⑫ 1PC



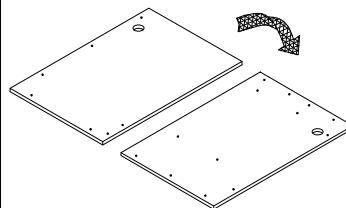
⑬ 1PC



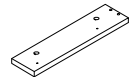
⑭ 1PC



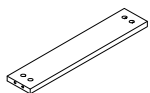
⑮ 1PC



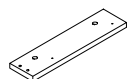
⑯ 1PC



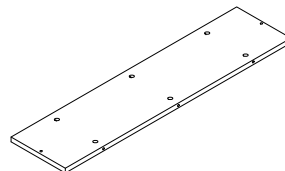
⑰ 1PC



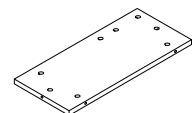
⑱ 1PC



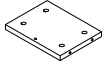
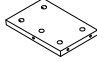
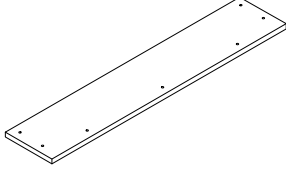
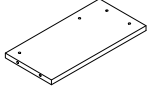
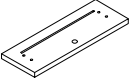
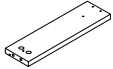
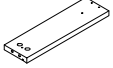
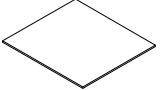
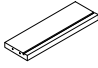
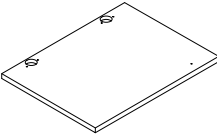
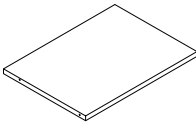
⑲ 1PC



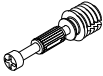






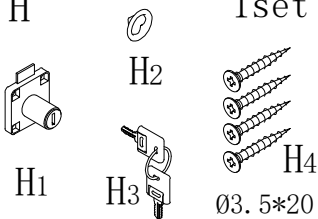


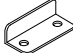
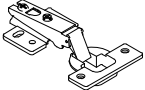

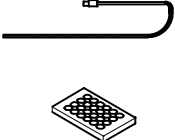


⑳ 1PC



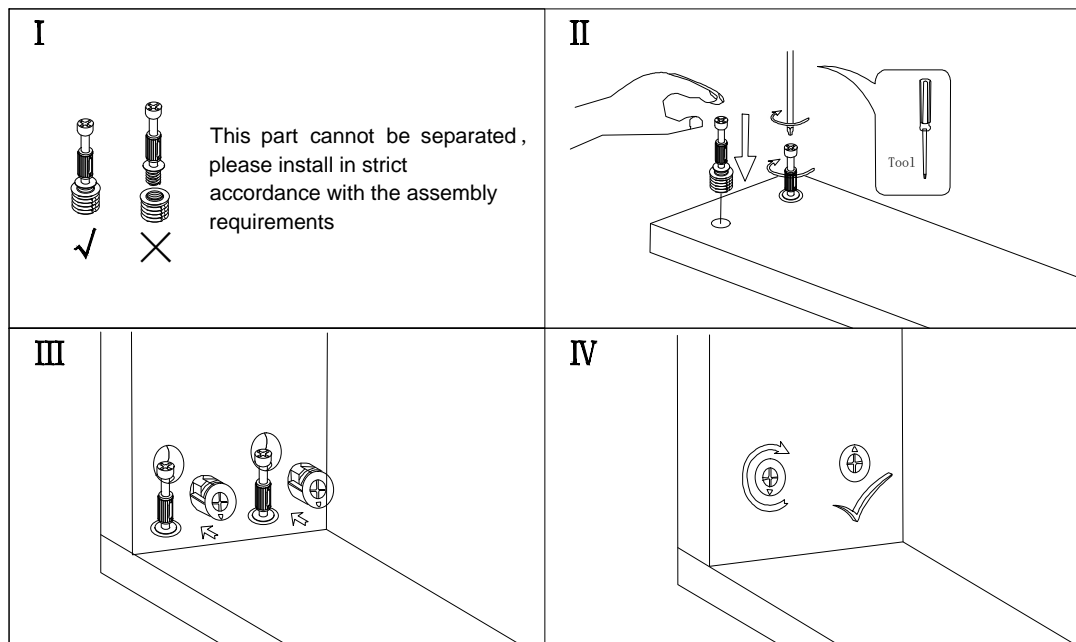
ASSEMBLY INSTRUCTION

⑳ 1PC 	㉑ 1PC 	㉒ 1PC 	㉓ 1PC 
㉔ 1PC 	㉕ 1PC 	㉖ 1PC 	㉗ 1PC 
㉘ 1PC 	㉙ 1PC 	㉚ 1PC 	

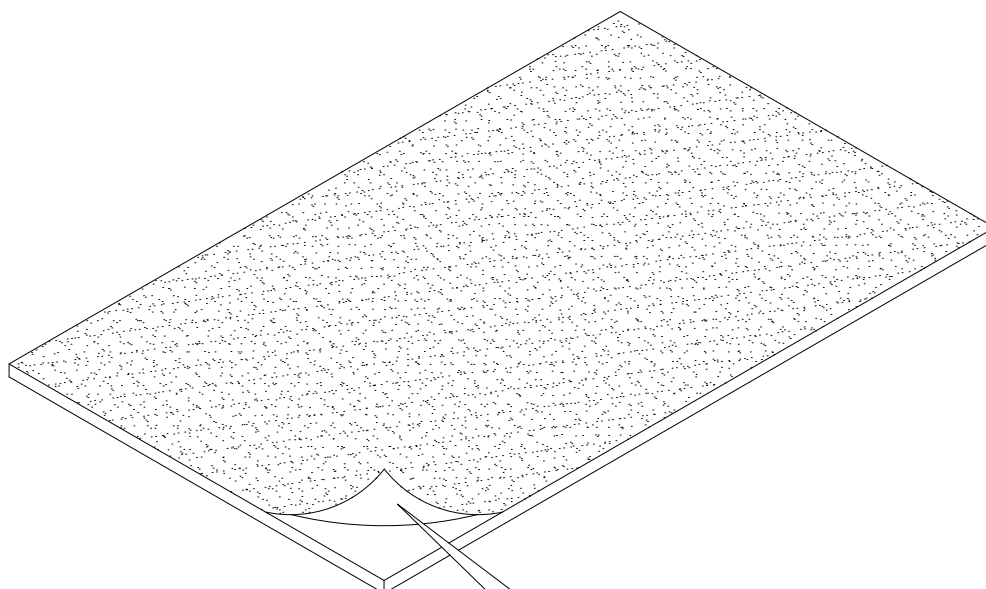
ASSEMBLY INSTRUCTION

<p>A 73PCS</p>  <p>M6*40</p>	<p>B 73PCS</p>  <p>Ø15*9.5</p>	<p>C 30PCS</p>  <p>Ø3.5*14</p>	<p>D 12PCS</p> 
<p>E 1set</p>  <p>M4*22</p>	<p>F 4PCS</p>  <p>14"</p>	<p>G 4PCS</p>  <p>Ø3.5*40</p>	<p>H 1set</p>  <p>H1 H2 H3 H4 Ø3.5*20</p>
<p>I 32PCS</p>  <p>M6*27</p>	<p>J 2PCS</p>  <p>Ø6*40</p>	<p>K 1PC</p>  <p>29*13*9</p>	<p>L 2PCS</p> 
<p>M 1PC</p>  <p>Ø50</p>	<p>N 1set</p> 	<p>O 73PCS</p> 	

"A" Hardware installation example



Attention, please! Before installation, please remove the transparent protective film from the surface of the board.



Please remove the protective paper by hand.

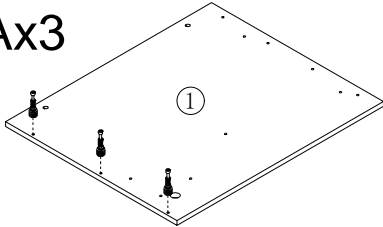
Step 1

A 55PCS

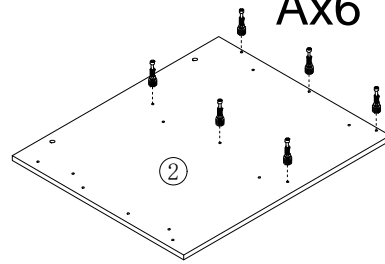


M6*40

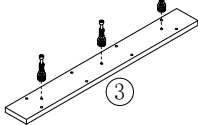
Ax3



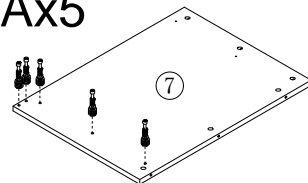
Ax6



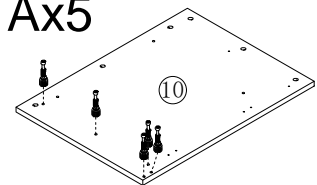
Ax3



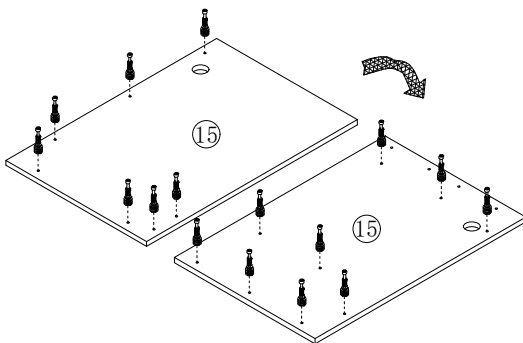
Ax5



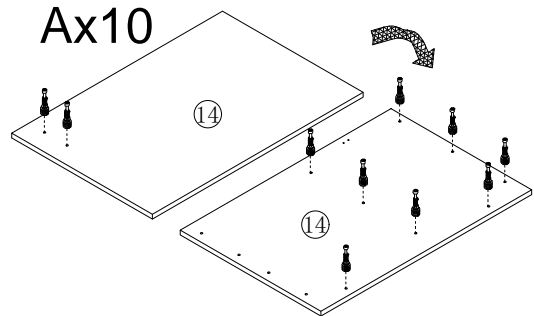
Ax5



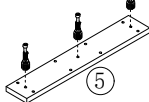
Ax16



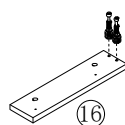
Ax10



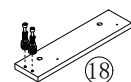
Ax3



Ax2



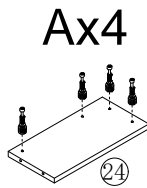
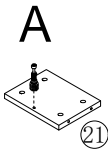
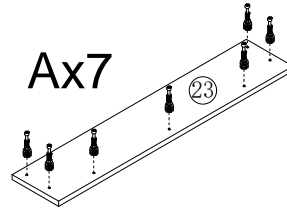
Ax2



ASSEMBLY INSTRUCTION

Step 2

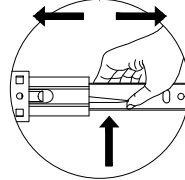
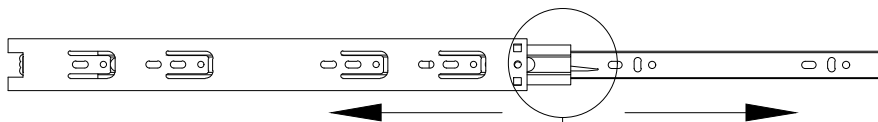
A 18PCS
M6*40



Step 3

F 4PCS
14"

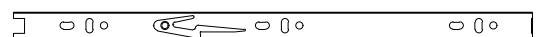
Fx4



F₁



F₂



ASSEMBLY INSTRUCTION

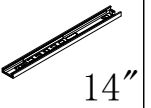
Step 4

C 8PCS

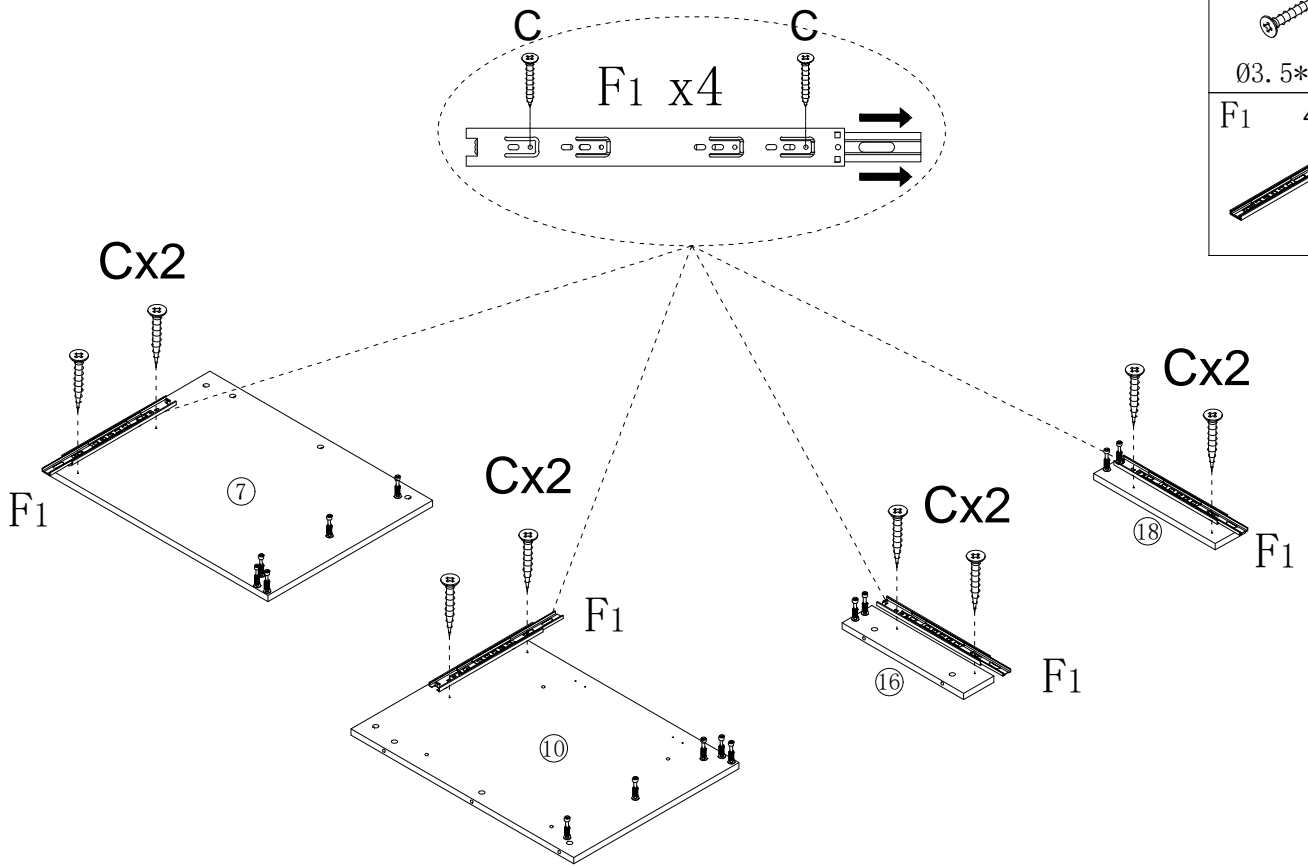


Ø3.5*14

F1 4PCS



14"

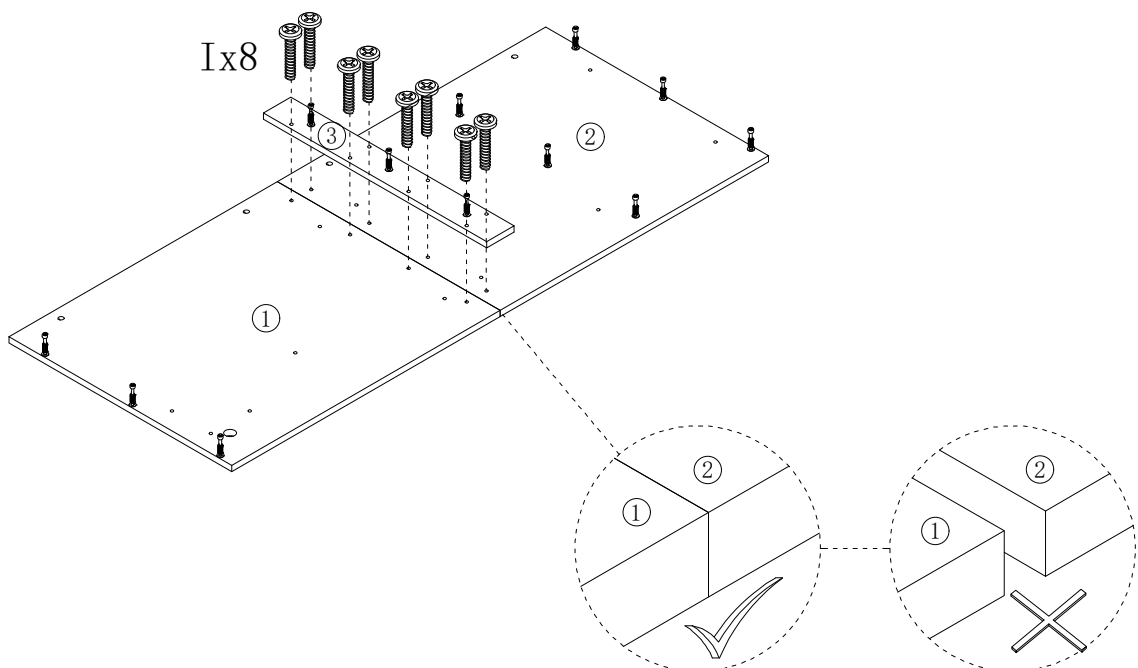


Step 5

I 8PCS




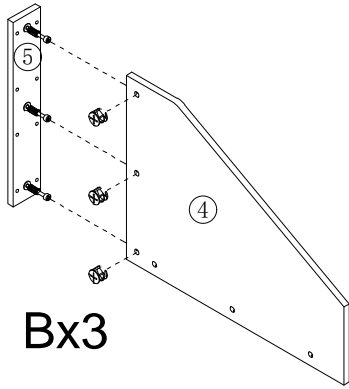
M6*27




ASSEMBLY INSTRUCTION

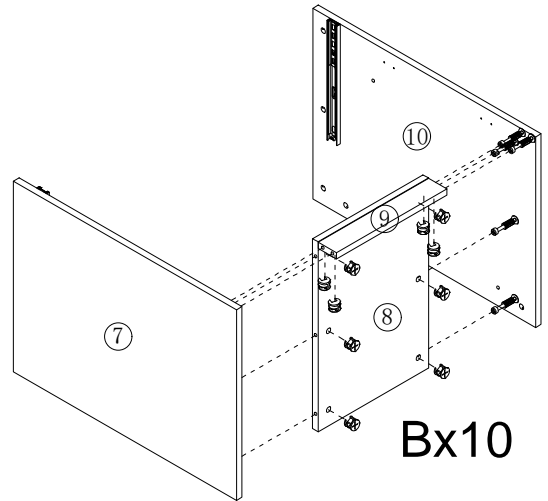
Step 6

B 3PCS

Ø15*9.5




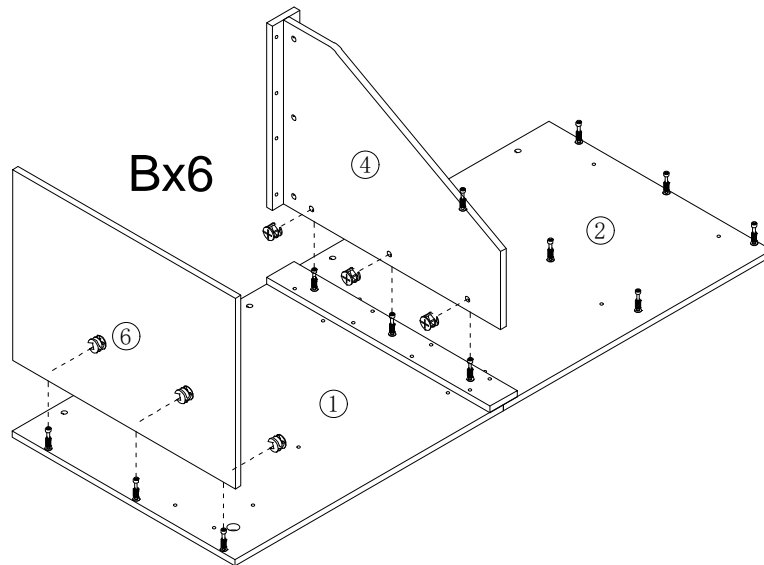
Step 7

B 10PCS

Ø15*9.5




Step 8

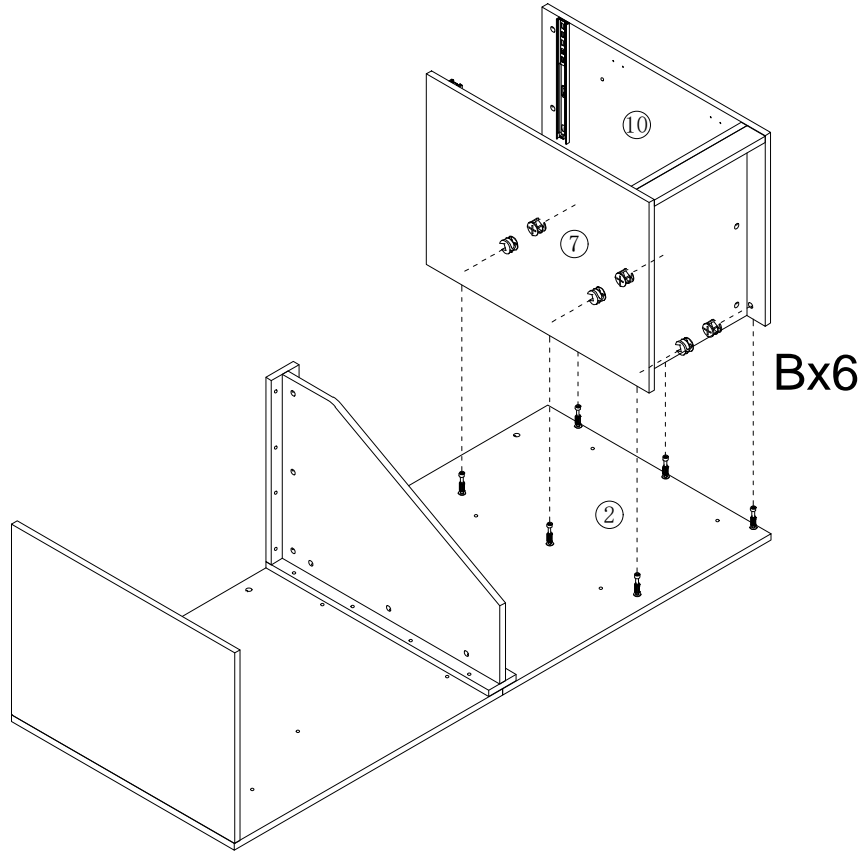
B 6PCS

Ø15*9.5




ASSEMBLY INSTRUCTION

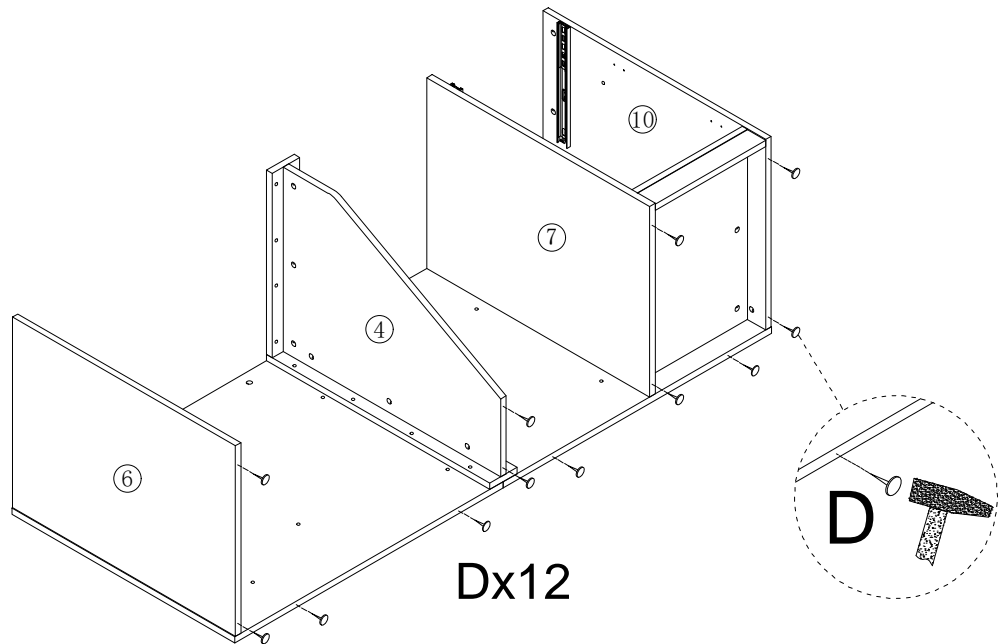
Step 9

B 6PCS

Ø15*9.5



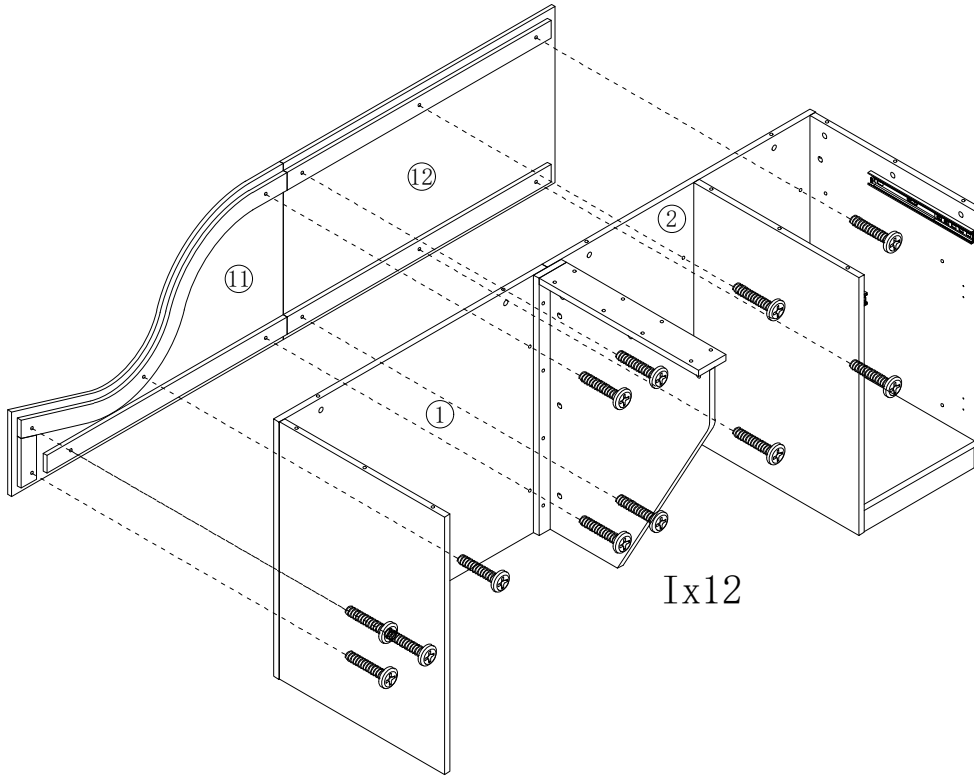
Step 10

D 12PCS




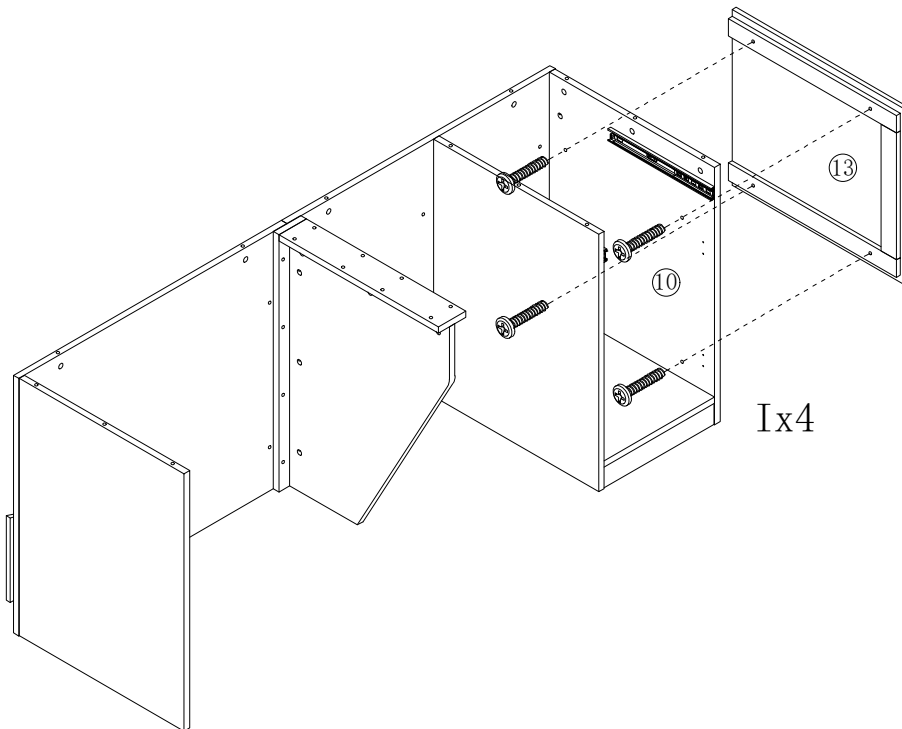
Step 11

I 12PCS
M6*27



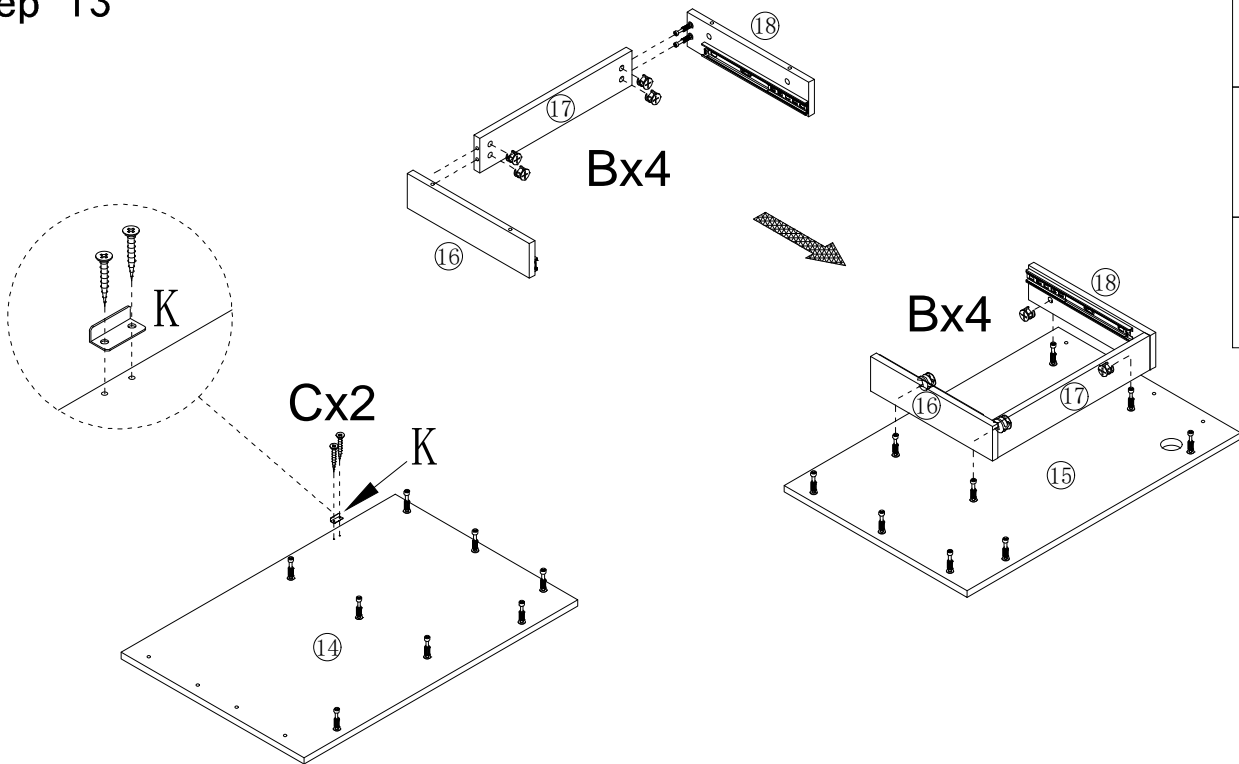
Step 12



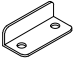
I 4PCS
M6*27



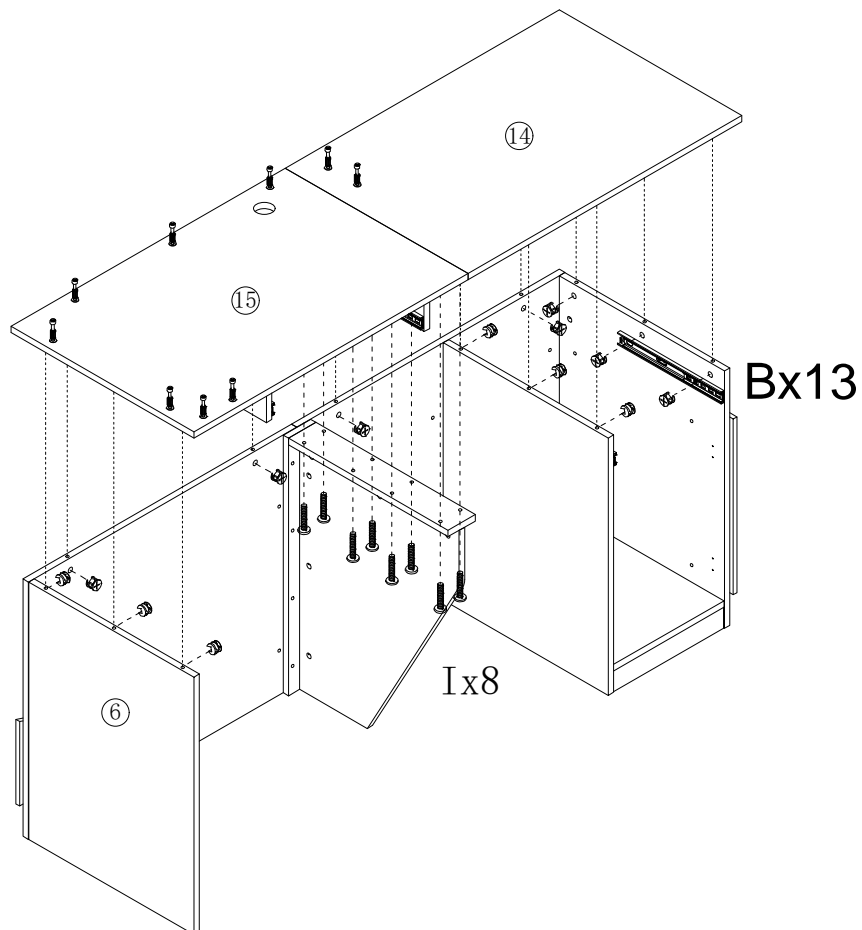
ASSEMBLY INSTRUCTION



Step 13




B	8PCS
	Ø15*9.5
C	2PCS
	Ø3.5*14
K	1PC
	

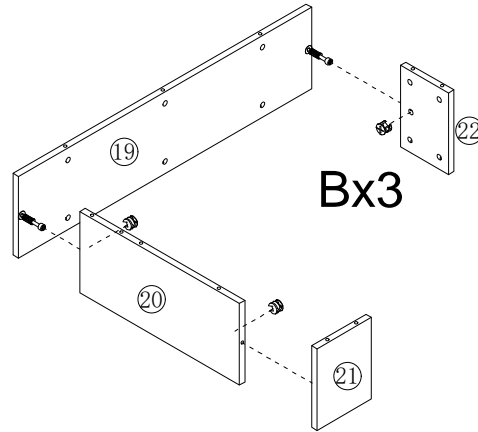
Step 14




B	13PCS
	Ø15*9.5
I	8PCS
	M6*27

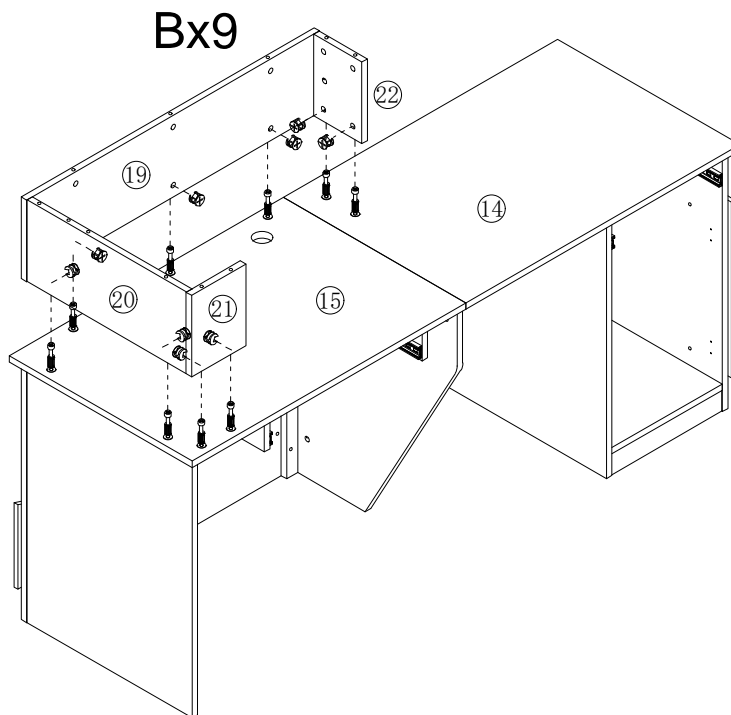
Step 15

B 3PCS

Ø15*9.5



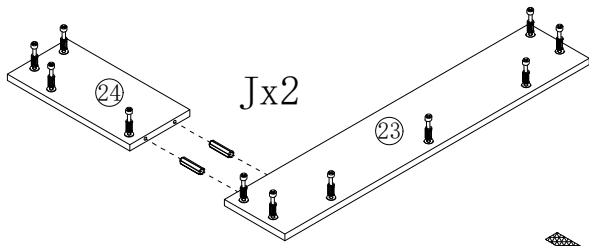
Step 16

B 9PCS

Ø15*9.5

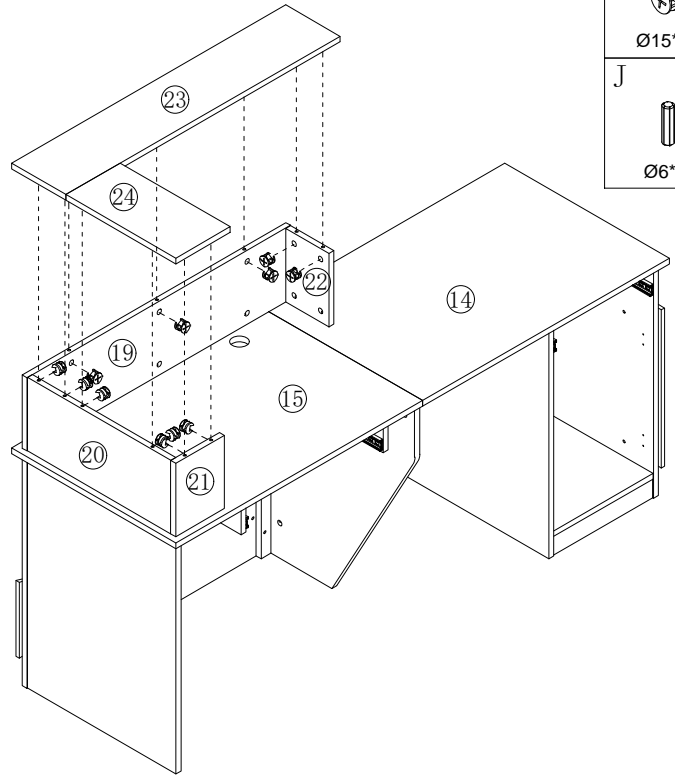


ASSEMBLY INSTRUCTION

Step 17



Bx11



B 11PCS



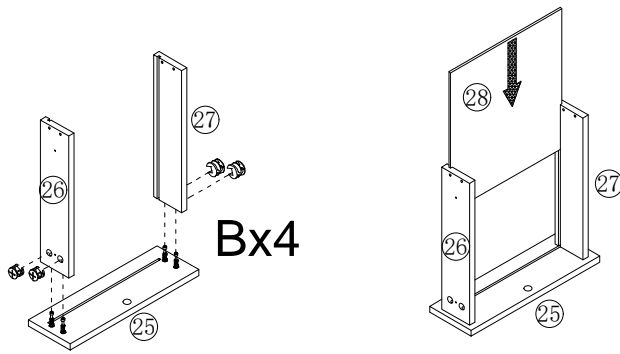
Ø15*9.5

J 2PCS



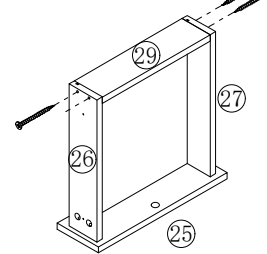
Ø6*40

Step 18



Bx4

Gx4



B 4PCS F₂ 2PCS



Ø15*9.5



14"

C 4PCS G 4PCS

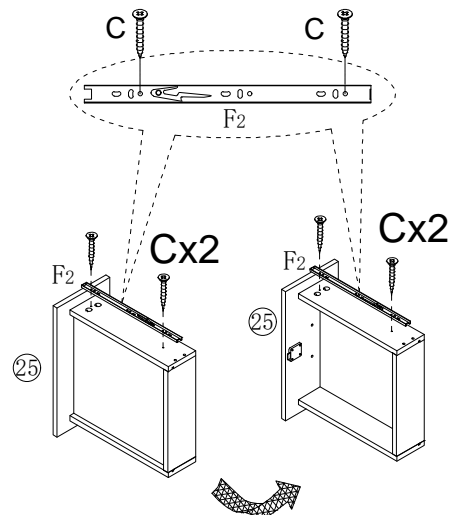
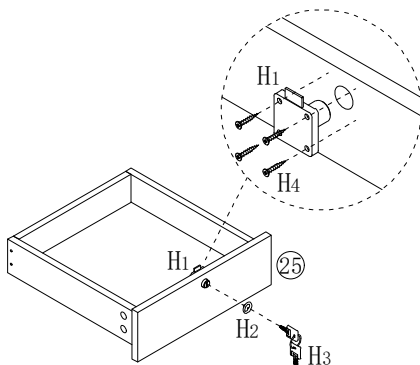
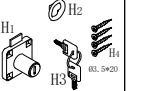


Ø3.5*14

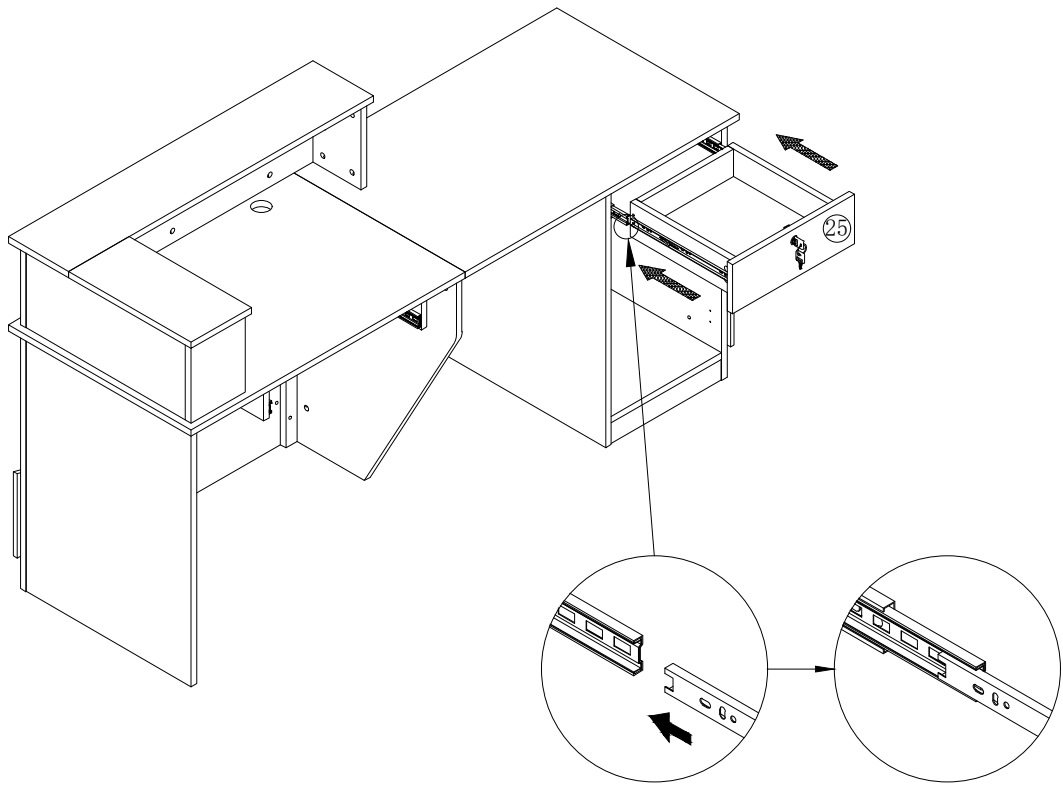


Ø3.5*40

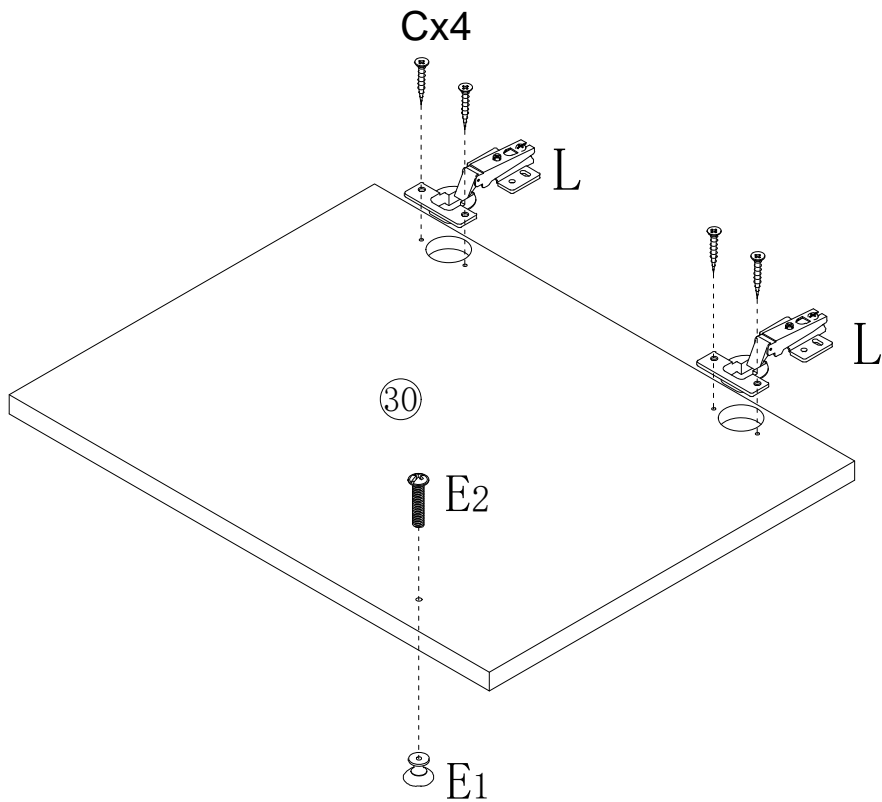
H 1set


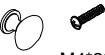



Step 19




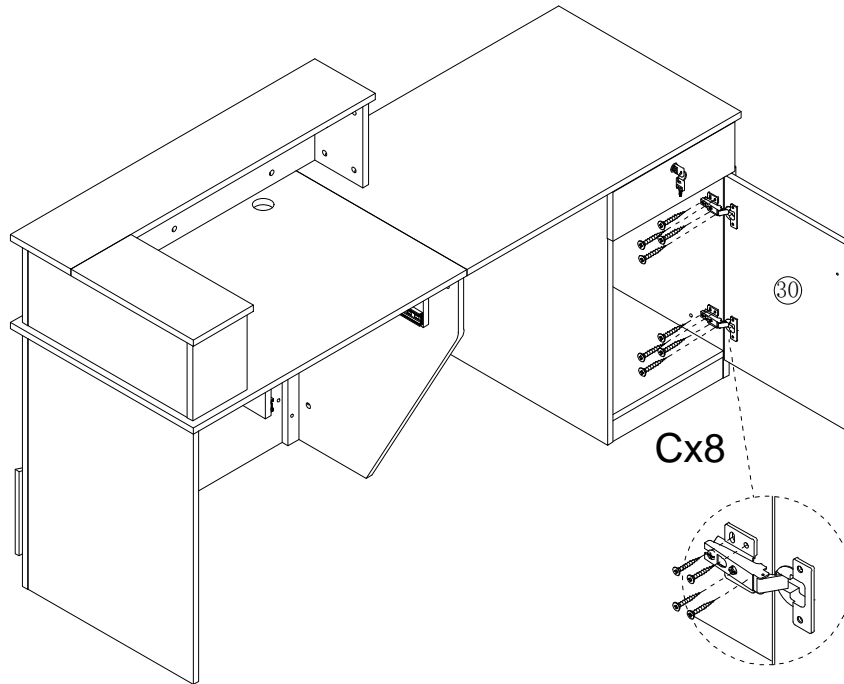
Step 20






C	4PCS
	
Ø3.5*14	
E	1set
	
M4*22	
L	2PCS
	

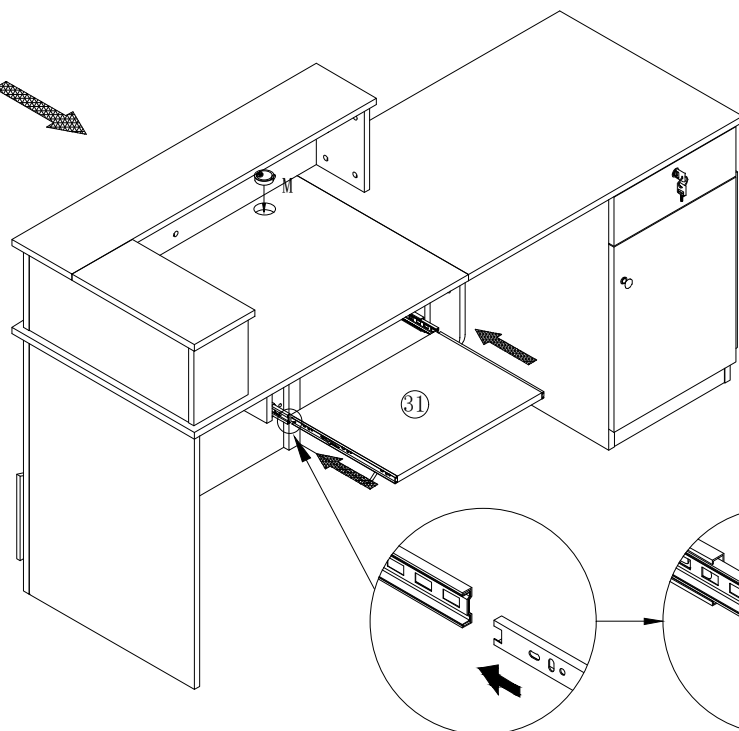
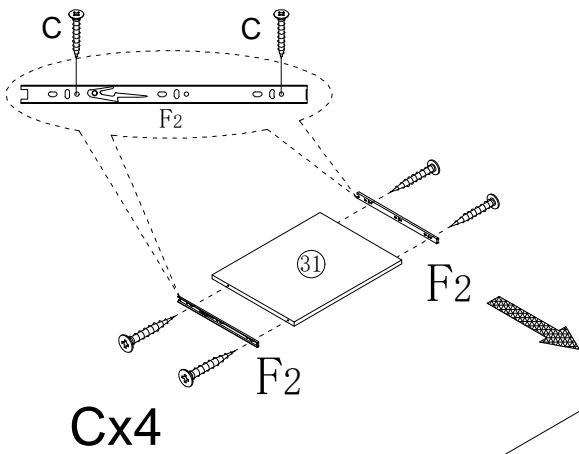
Step 21

C	8PCS
	
Ø3.5*14	

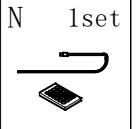


Step 22

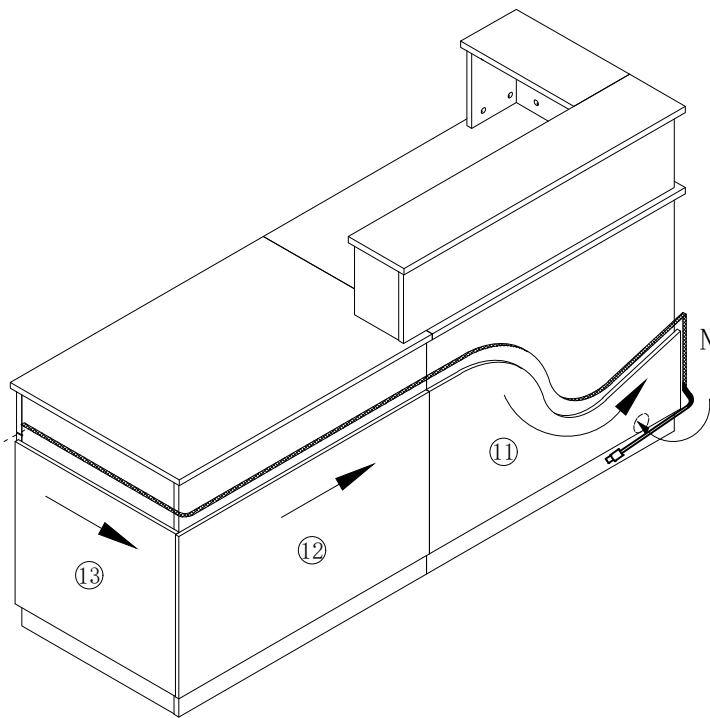
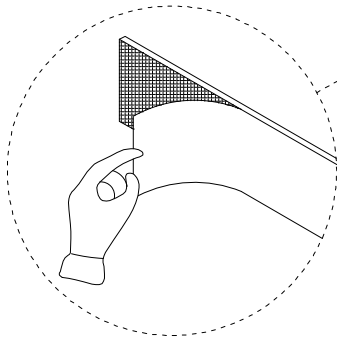
C	4PCS
	
Ø3.5*14	
F2	2PCS
	
14"	
M	1PC
	
Ø50	



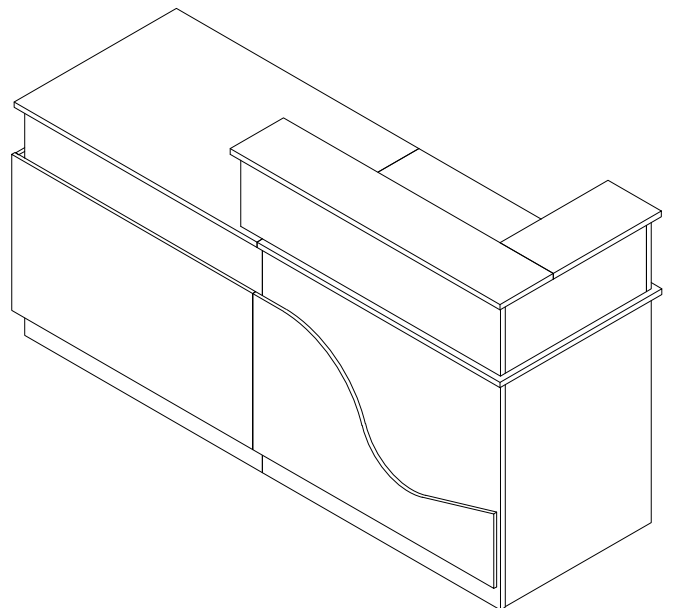
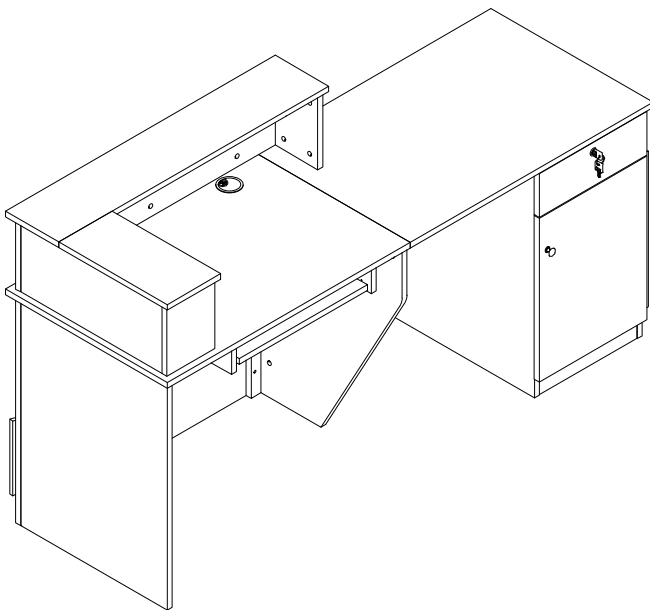
Step 23



Before installing the LED strip Peel off the blue sticker on the back of the LED strip.



Step 24



OK