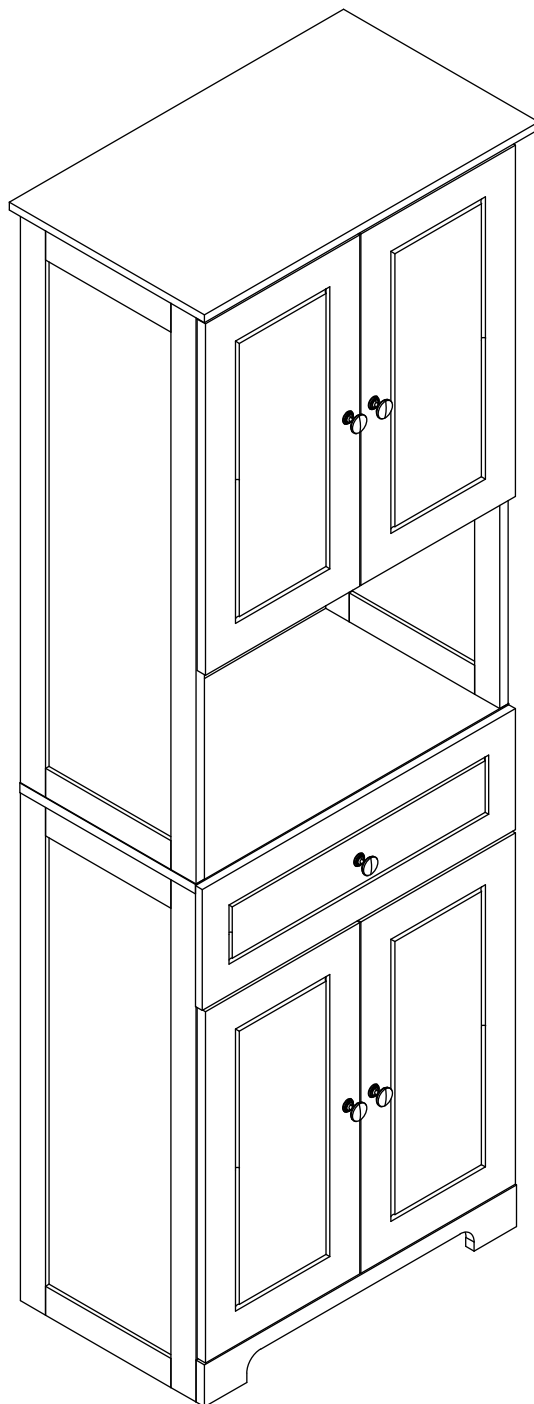


Bathroom storage cabinet

Assembly Instructions - Please keep for future reference



Important - Please read these instructions fully before starting assembly



Safety and Care Advice

Important – Please read these instructions fully before starting assembly

- Check you have all the components and tools listed on the following pages.
- Remove all fittings from the plastic bags and separate them into their groups.
- Keep children and animals away from the work area, small parts could choke if swallowed.
- Make sure you have enough space to layout the parts before starting.

- During assembly do not stand or put weight on the product, this could cause damage.
- Assemble the item as close to its final position (in the same room) as possible.
- Assemble on a soft level surface to avoid damaging the unit or your floor.
- Parts of the assembly will be easier with 2 people.



power drill is set on a low torque setting.

- To reduce the likelihood of damaging your product please ensure that your

Care and maintenance

• Only clean using a damp cloth and mild detergent, do not use bleach or abrasive cleaners.

• From time to time check that there are no loose screws on this unit.

• This product should not be discarded with household waste. Take to your local authority waste disposal centre.

Handy Hints

• Assemble all parts and bolts loosely during assembly, only once the product is complete should you fully tighten the bolts

• Regularly check and ensure That all bolts and fittings are tightend properly.

WARNING In order to help prevent overturning – please follow these instructions

To help prevent product toppling over please follow the below steps:-

Use the anti tip stap or wall fixing method provided (if applicable)
Do not allow children to climb or hang on the furniture
Do not open more than one drawer at a time
Do not place heavy items in the top drawers
Do not place heavy items on top of the furniture, unless the furniture has been designed for this purpose

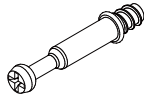
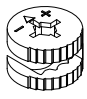
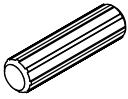

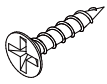
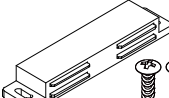
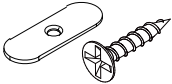
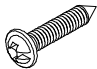
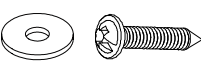
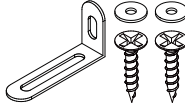
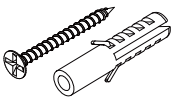
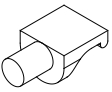
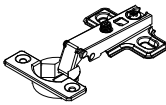




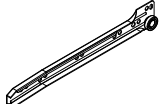
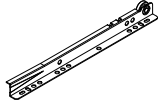
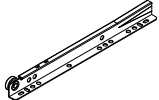
Please note that only the anti tip strap is provided.

You will need to provide wall plugs and screws applicable for your wall type

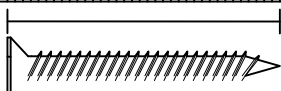
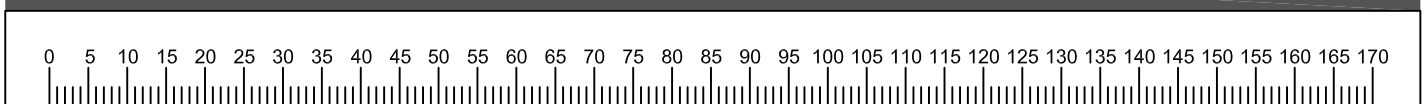
Components - Fittings

Please check you have all the panels listed below

Note: The quantities below are the correct amount to complete the assembly. In some cases more fittings may be supplied than are required.

 Cam Bolt x 26	 Cam Lock x 26	 8*30mm Dowel x 18	 4*35mm Screw x 12
 3.5*12mm Screw x 20	 Handle x 5	 Magnetism Mass x 2	 Metal Plate x 4
 2.5*12mm Screw x 32	 12*1mm Iron Washer x 8	 Wall Fixing x 1	 Wall Plug x 1
 Shelf Bracket x 8	 Screwdriver x 1	 Hinge x 8	 Perforated Paste x 4
 6*6mm Screw x 6	 6*11mm Screw x 16	 Runner 250mm x 1	 Runner 250mm x 1
 Runner 250mm x 1	 Runner 250mm x 1		

Ruler - Use this ruler to help correctly identify the screws



The screws length is measured from the head to the point (35mm screw shown).

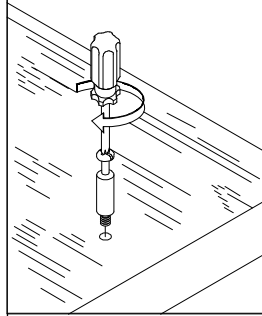
Using Camlocks

Step 1

Connect the male camlock as directed in the assembly instructions using a screwdriver.

1

DO NOT OVER TIGHTEN.
NE PAS SERRER EXCESSIVEMENT.



Step 2

Push the male camlock into the entry hole.

2

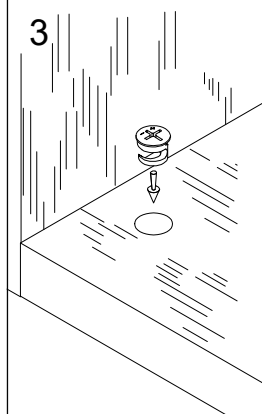


Step 3

Insert the female camlock as shown in the instruction.

Note: ensure that the arrow on the top of the camlock points towards the entry hole for the male camlock.

3



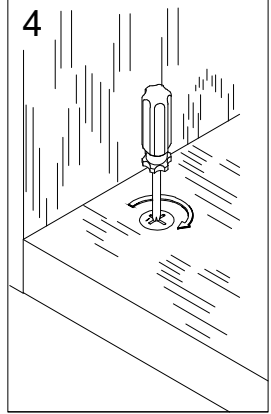
Step 4

Turn the female camlock clockwise with a screwdriver.

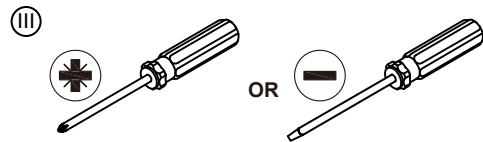
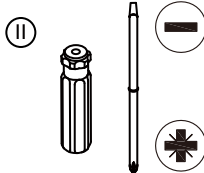
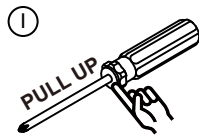
You should feel a click when the camlock is locked in place.

The joint is now secure.

4

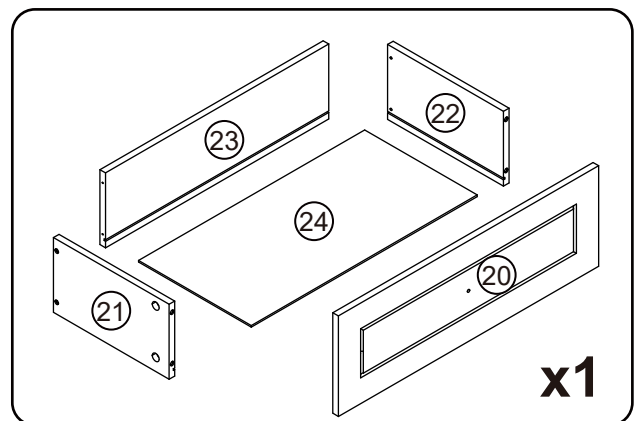
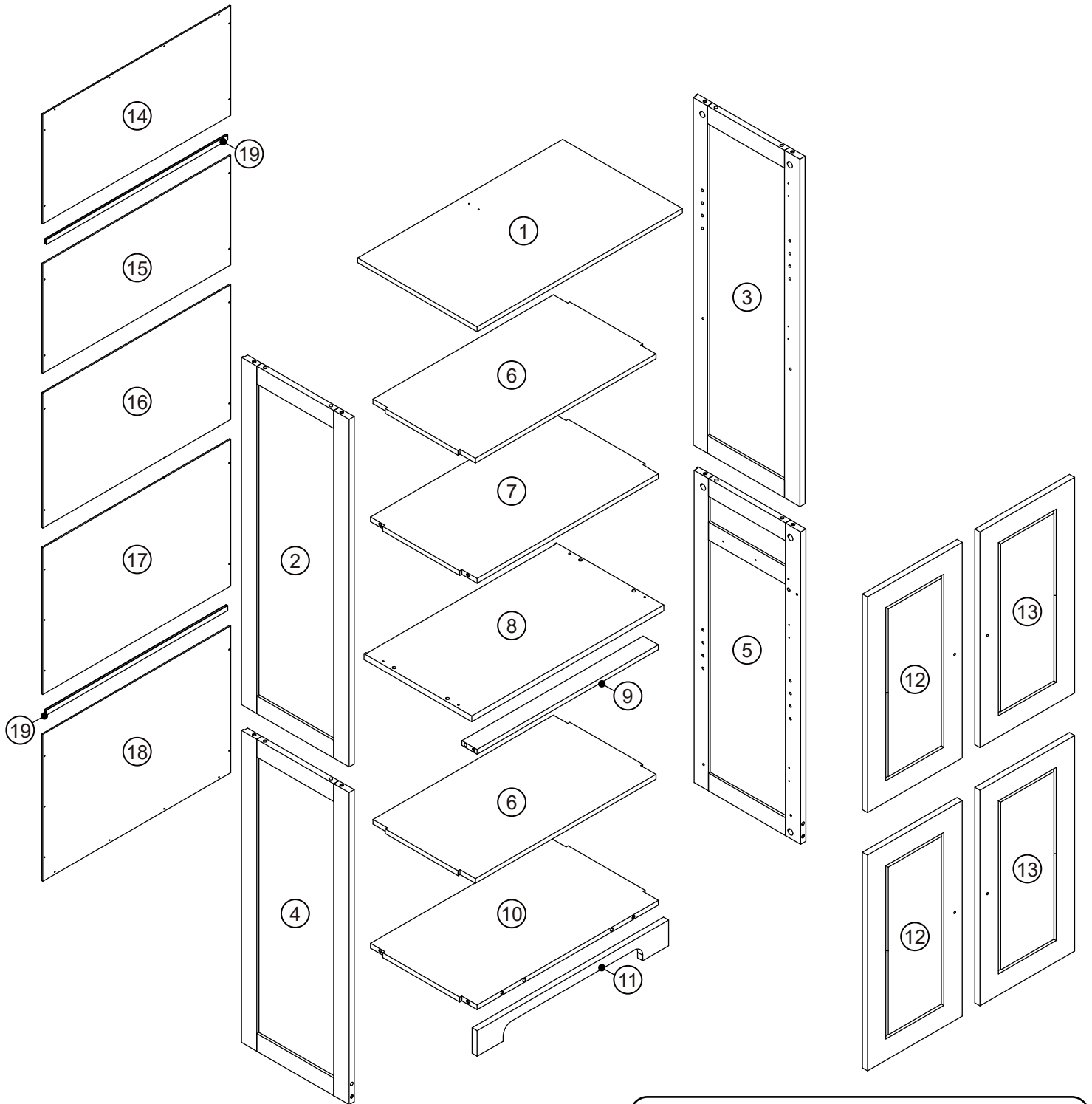


Tools required

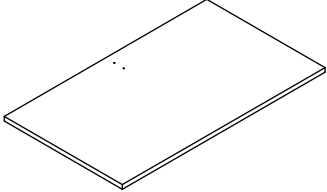
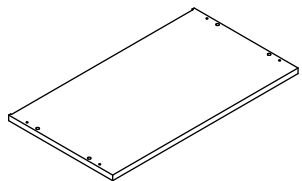
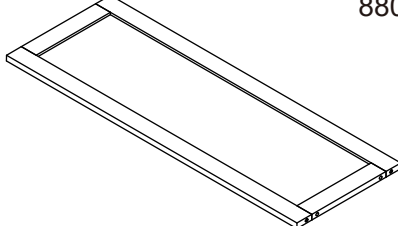
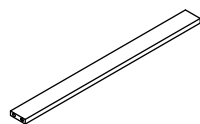
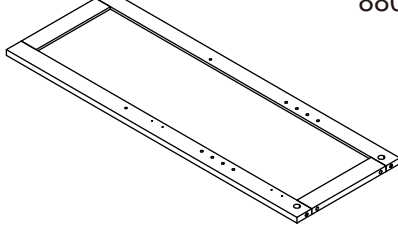
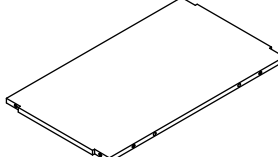
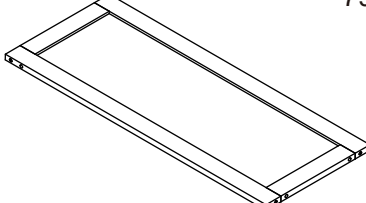
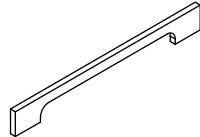
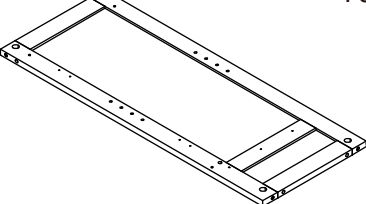
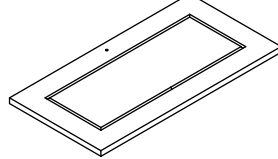
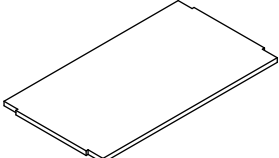
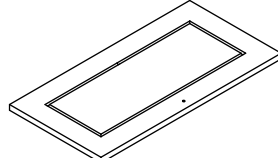
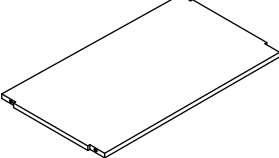
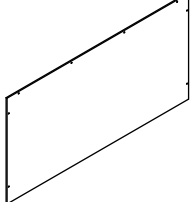


Screwdrivers can be converted to Phillips and Slotted.

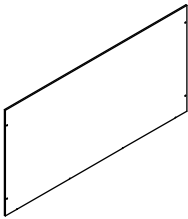
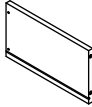
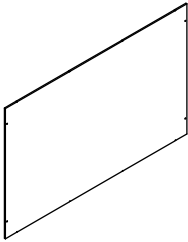
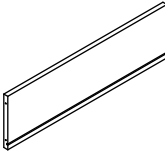
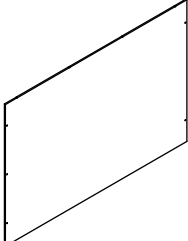
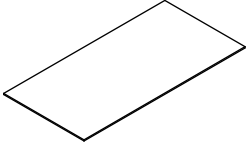
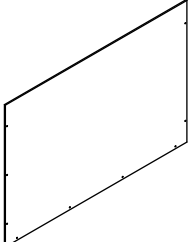
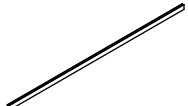
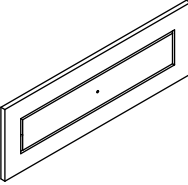
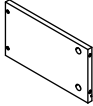
Assembly Instructions



Assembly Instructions

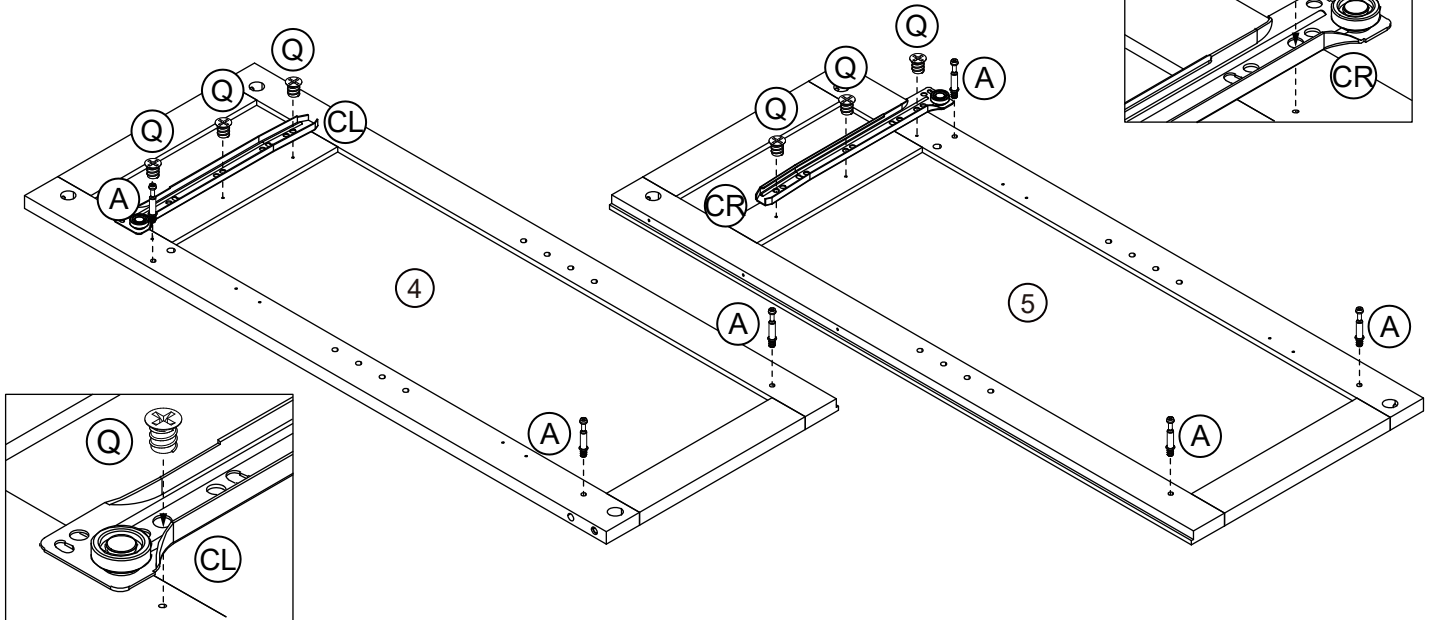
<p>①</p> <p>600 x 350 x 32 mm</p>  <p>1</p>	<p>⑧</p> <p>562 x 315 x 15 mm</p>  <p>1</p>
<p>②</p> <p>880 x 315 x 15 mm</p>  <p>1</p>	<p>⑨</p> <p>530 x 45 x 12 mm</p>  <p>1</p>
<p>③</p> <p>880 x 315 x 15 mm</p>  <p>1</p>	<p>⑩</p> <p>541 x 315 x 12 mm</p>  <p>1</p>
<p>④</p> <p>790 x 315 x 15 mm</p>  <p>1</p>	<p>⑪</p> <p>562 x 65 x 15 mm</p>  <p>1</p>
<p>⑤</p> <p>790 x 315 x 15 mm</p>  <p>1</p>	<p>⑫</p> <p>546 x 277 x 15 mm</p>  <p>2</p>
<p>⑥</p> <p>539 x 300 x 12 mm</p>  <p>2</p>	<p>⑬</p> <p>546 x 277 x 15 mm</p>  <p>2</p>
<p>⑦</p> <p>541 x 310 x 12 mm</p>  <p>1</p>	<p>⑭</p> <p>549 x 285 x 3 mm</p>  <p>1</p>

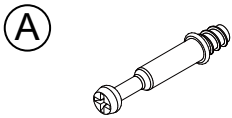

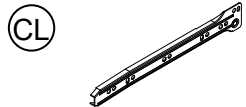
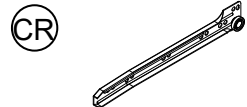
Assembly Instructions

<p>15</p> 	<p>549 x 285 x 3 mm</p> <p>1</p>	<p>22</p> 	<p>250 x 140 x 12 mm</p> <p>1</p>
<p>16</p> 	<p>549 x 342 x 3 mm</p> <p>1</p>	<p>23</p> 	<p>481 x 140 x 12 mm</p> <p>1</p>
<p>17</p> 	<p>549 x 370 x 3 mm</p> <p>1</p>	<p>24</p> 	<p>489 x 245 x 3 mm</p> <p>1</p>
<p>18</p> 	<p>549 x 370 x 3 mm</p> <p>1</p>		
<p>19</p> 	<p>548 mm</p> <p>2</p>		
<p>20</p> 	<p>562 x 187 x 15 mm</p> <p>1</p>		
<p>21</p> 	<p>250 x 140 x 12 mm</p> <p>1</p>		

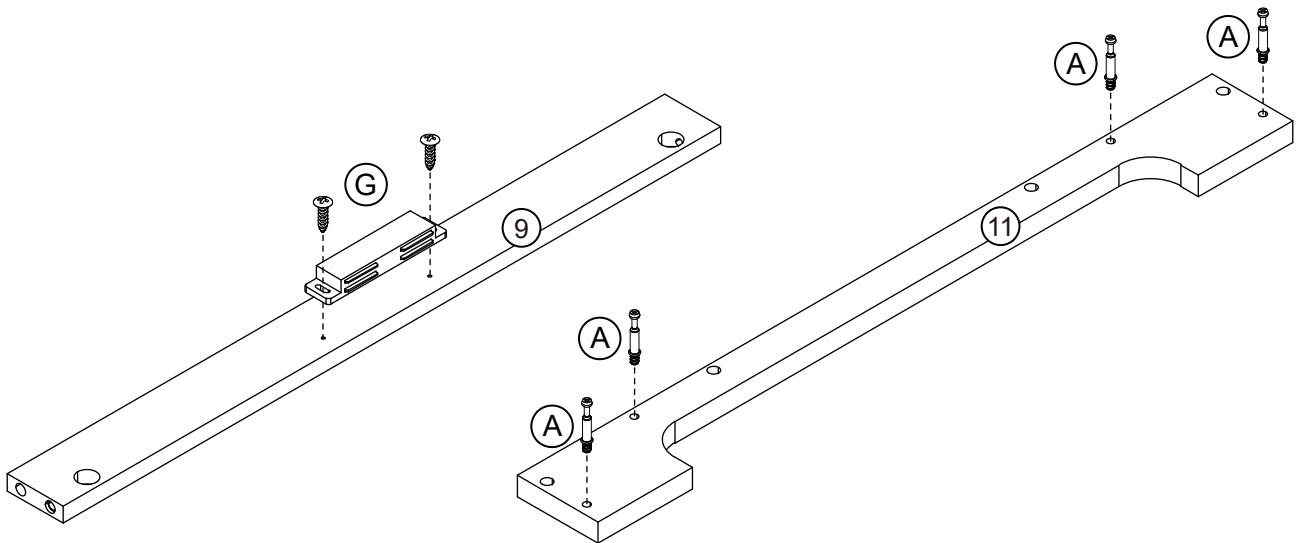
Assembly Instructions

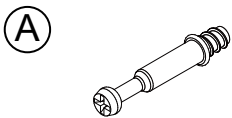
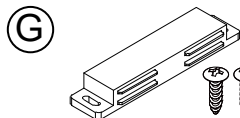
Step 1



 <p>Cam Bolt x 6</p>	 <p>6*6mm Screw x 6</p>	 <p>Runner 250mm x 1</p>	 <p>Runner 250mm x 1</p>
--	--	--	---

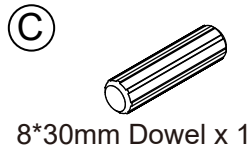
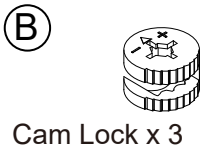
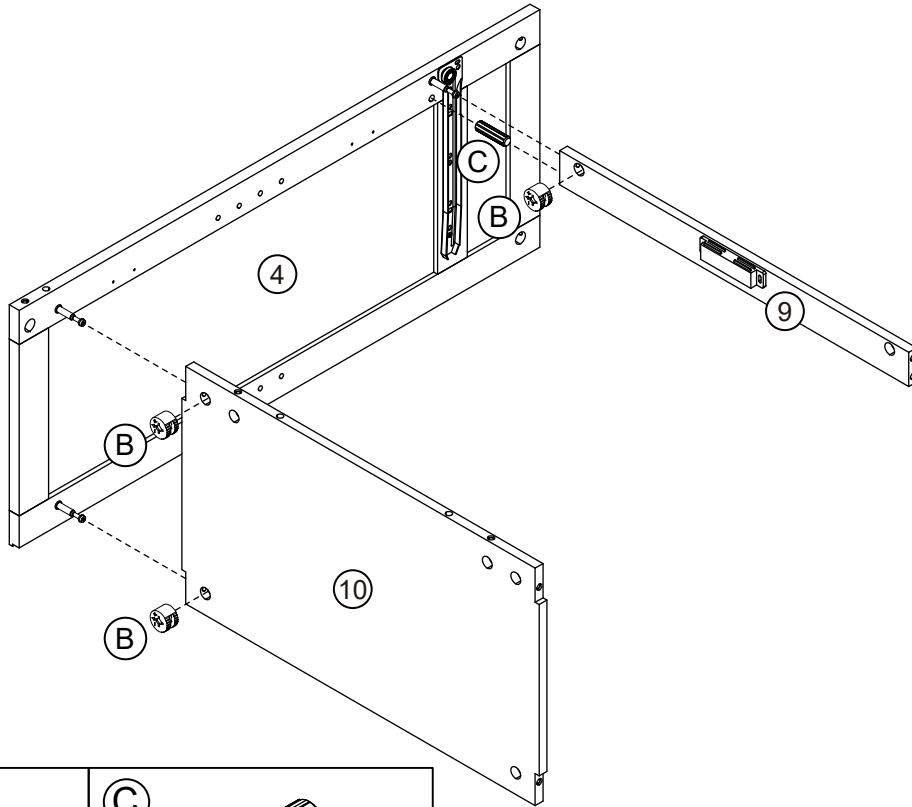
Step 2



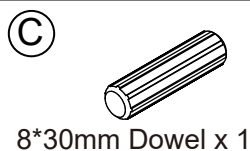
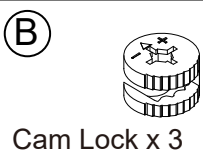
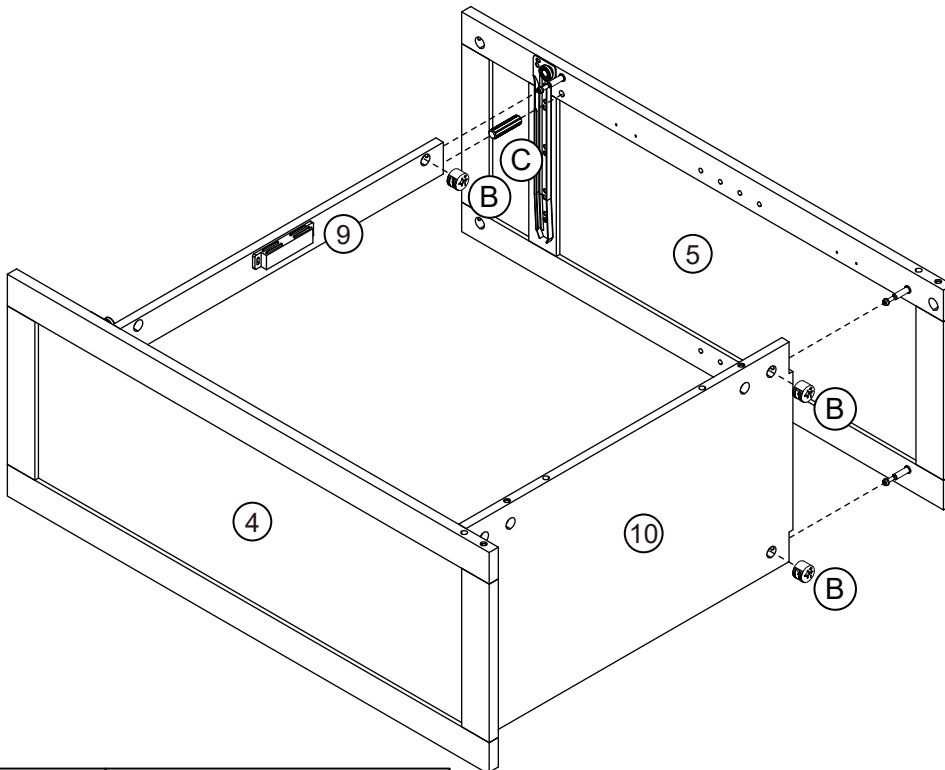
 <p>Cam Bolt x 4</p>	 <p>Magnetism Mass x 1</p>
--	---

Assembly Instructions

Step 3

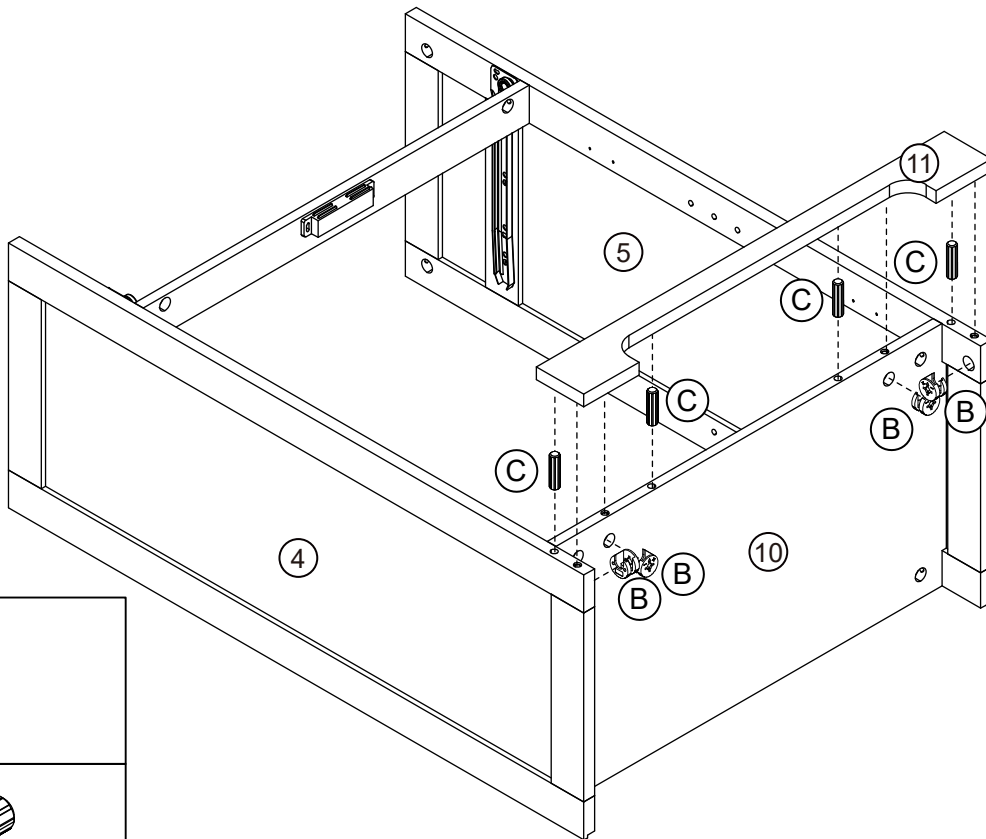


Step 4



Assembly Instructions

Step 5

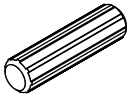


(B)



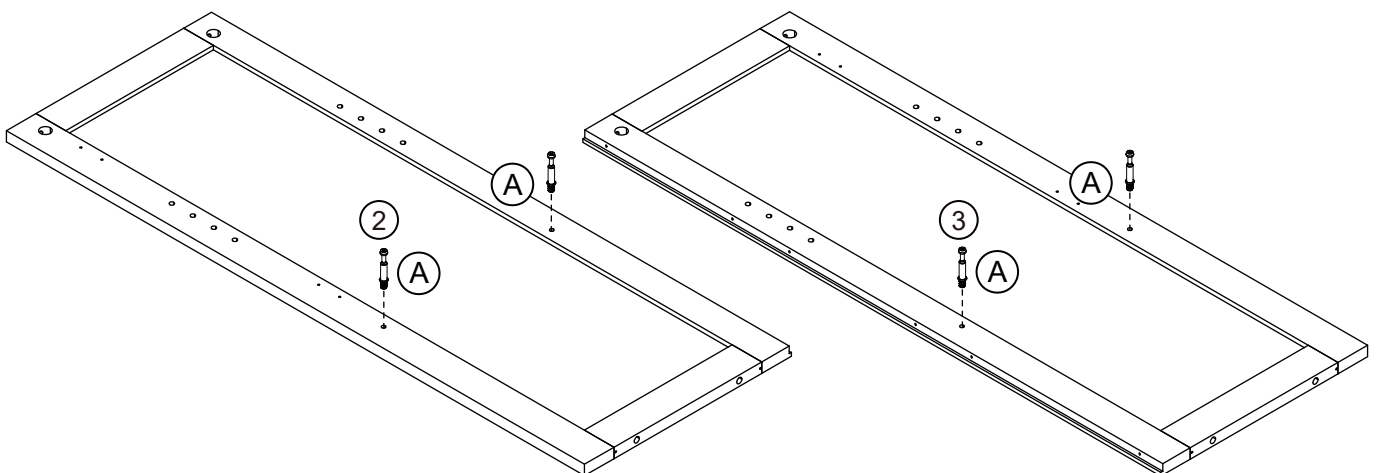
Cam Lock x 4

(C)

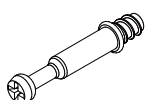


8*30mm Dowel x 4

Step 6



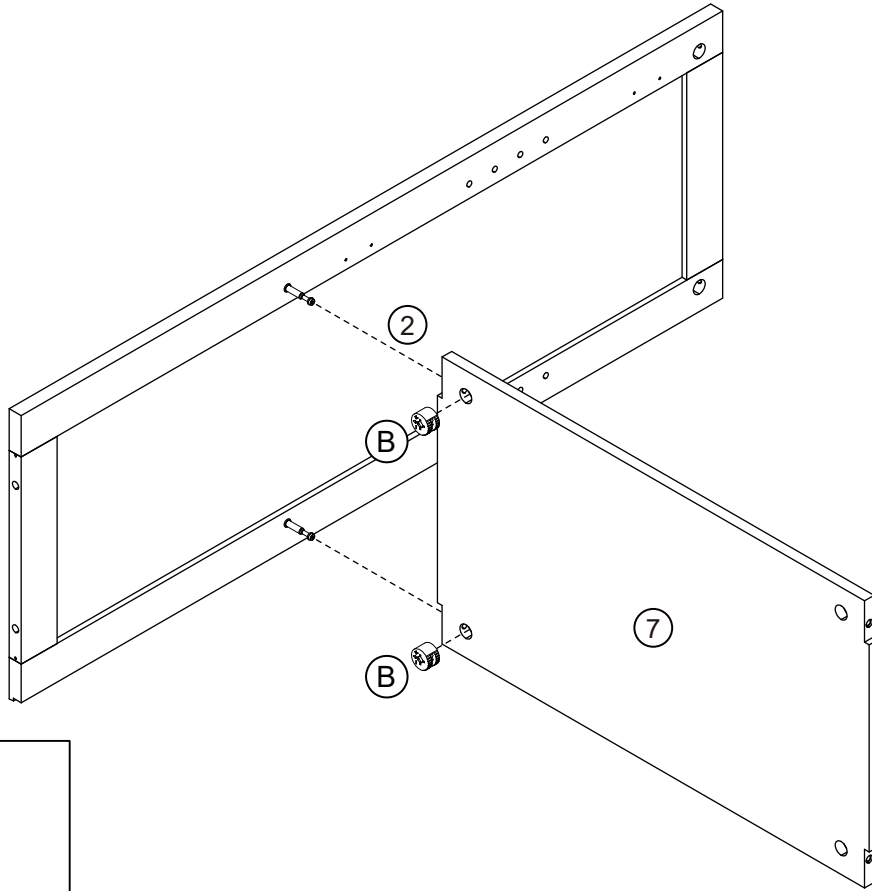
(A)



Cam Bolt x 4

Assembly Instructions

Step 7

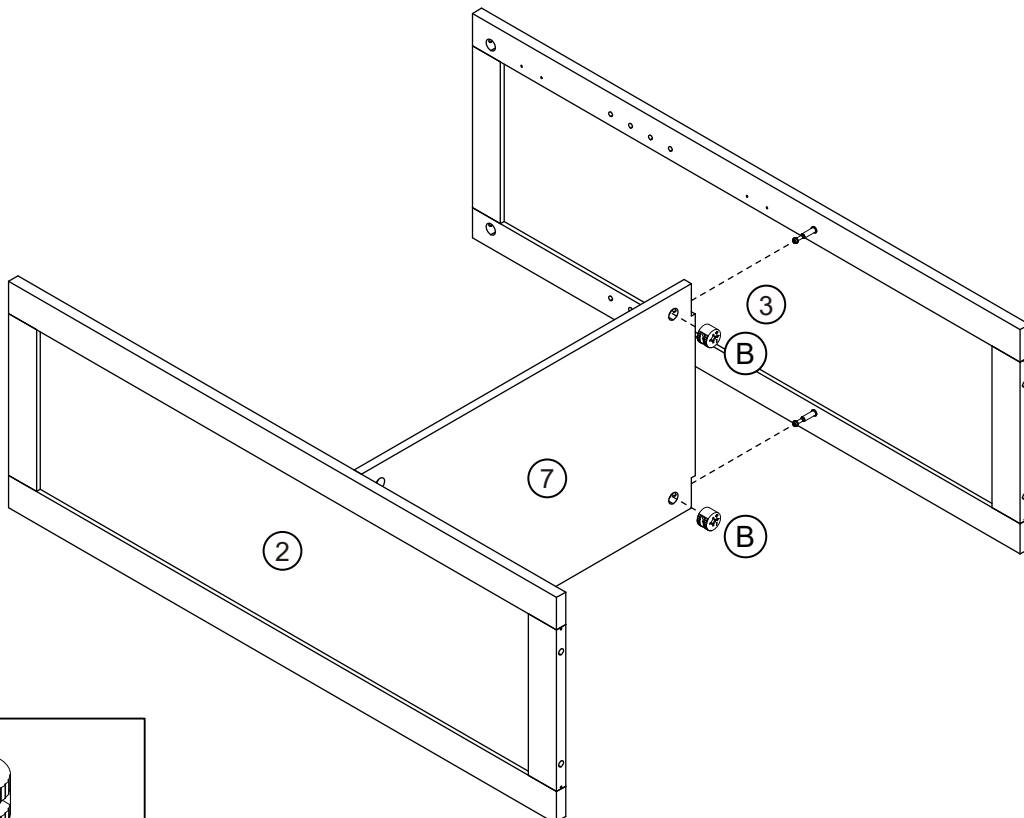


(B)



Cam Lock x 2

Step 8



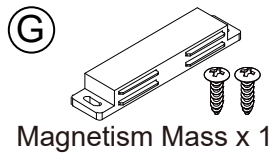
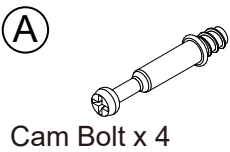
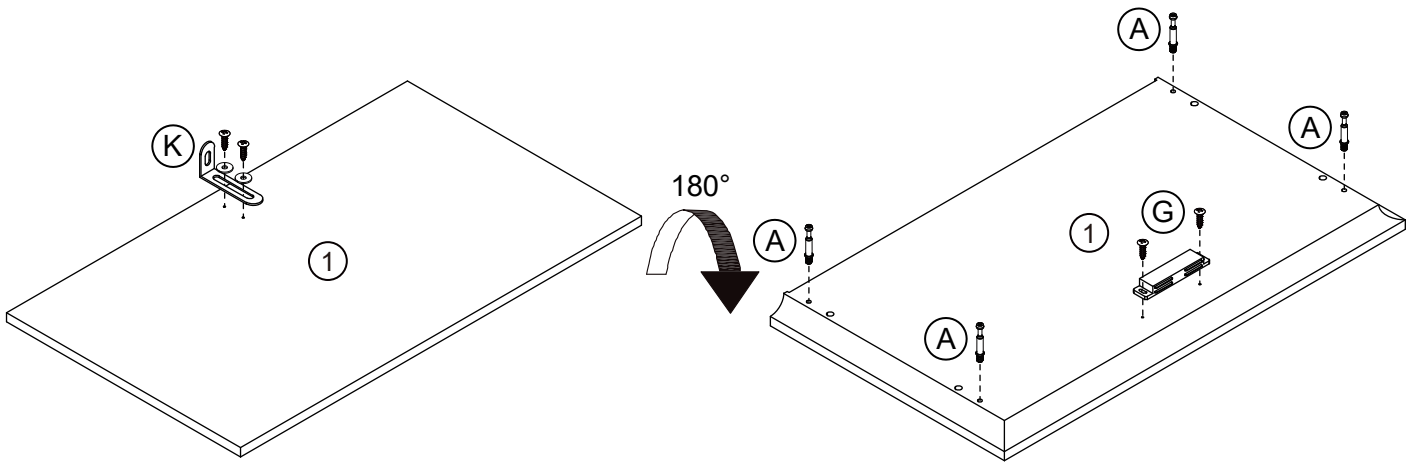
(B)



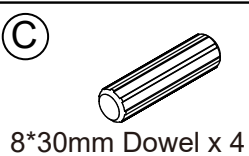
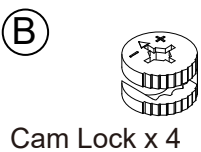
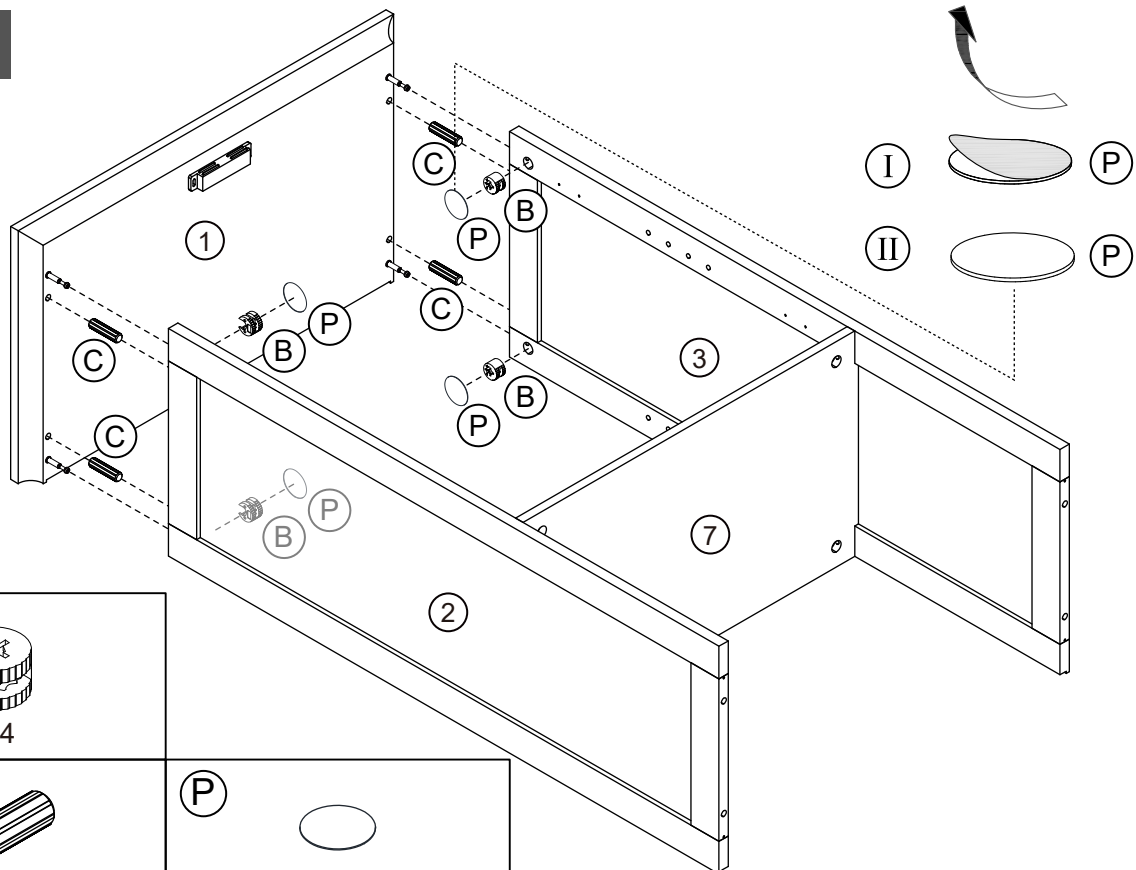
Cam Lock x 2

Assembly Instructions

Step 9

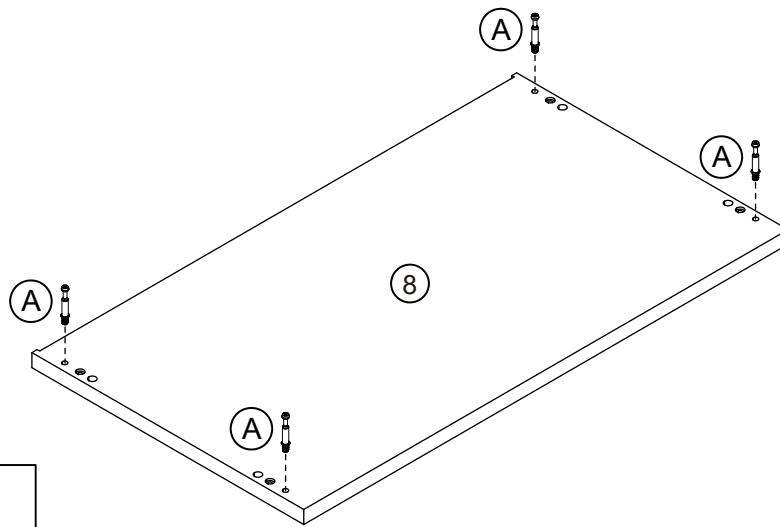


Step 10

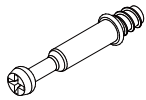


Assembly Instructions

Step 11

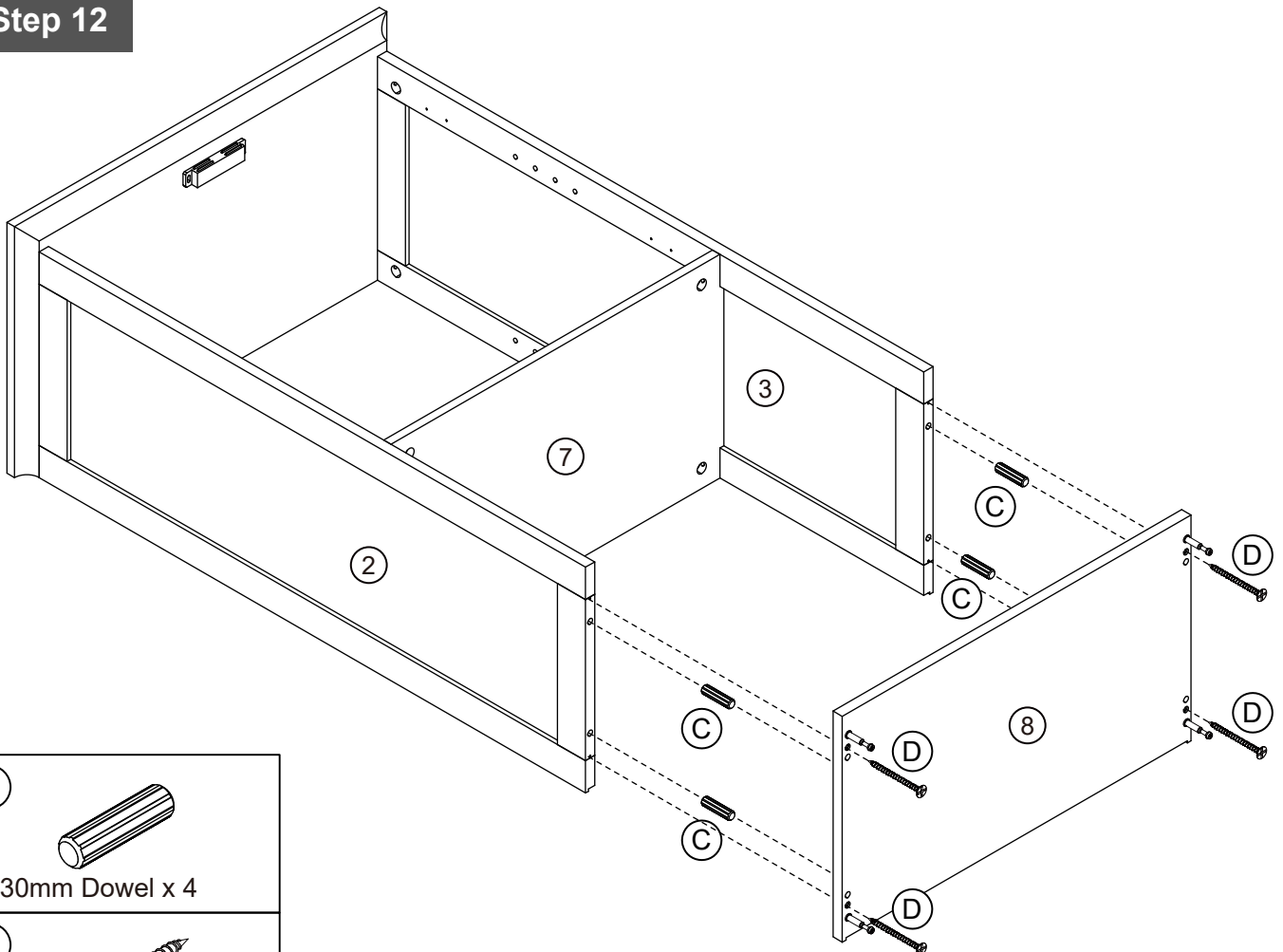


A

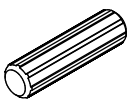


Cam Bolt x 4

Step 12



C



8*30mm Dowel x 4

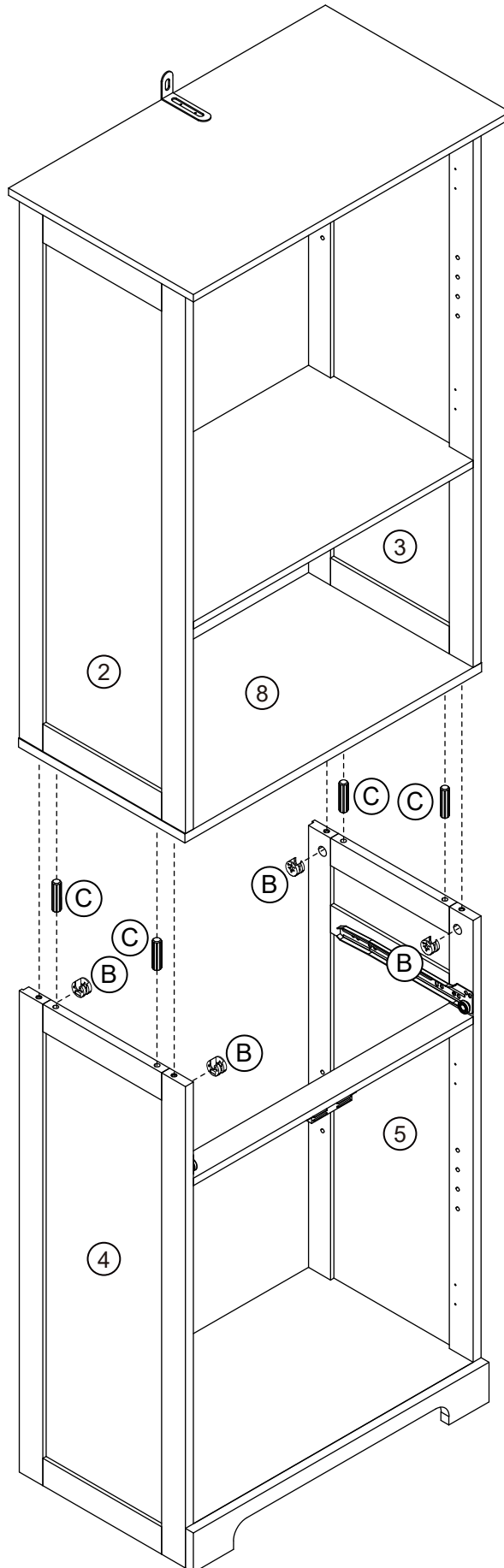
D



4*35mm Screw x 4

Assembly Instructions

Step 13

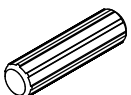


(B)



Cam Lock x 4

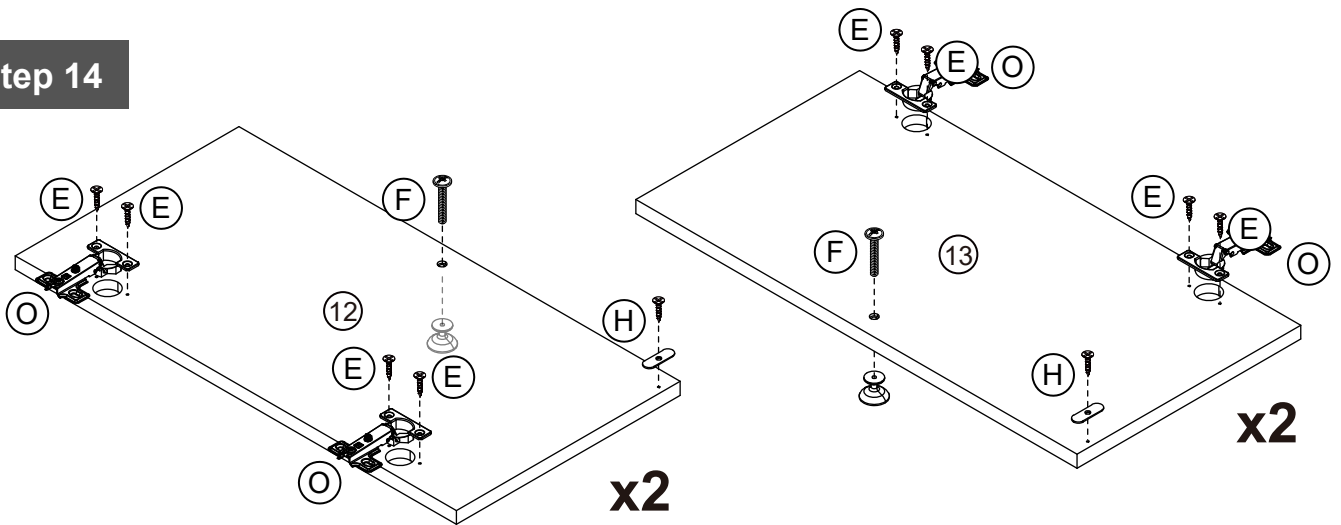
(C)

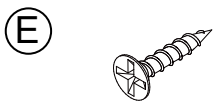

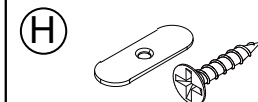
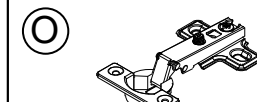


8*30mm Dowel x 4

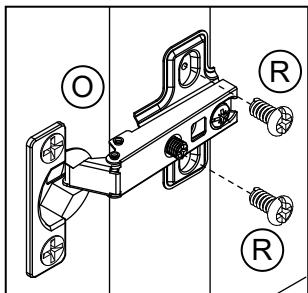
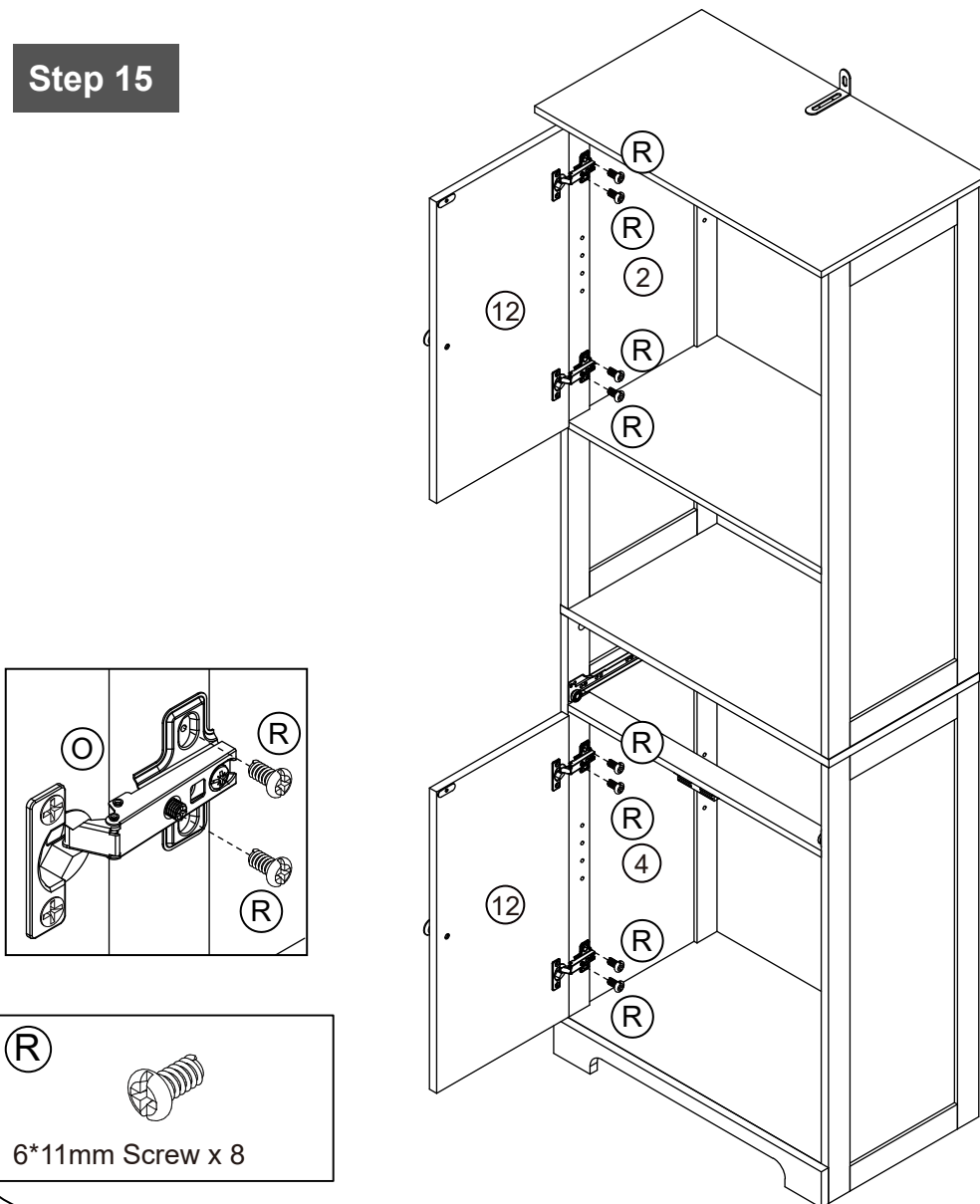
Assembly Instructions

Step 14



 <p>E</p> <p>3.5*12mm Screw x 16</p>	 <p>F</p> <p>Handle x 4</p>	 <p>H</p> <p>Metal Plate x 4</p>	 <p>O</p> <p>Hinge x 8</p>
---	---	---	--

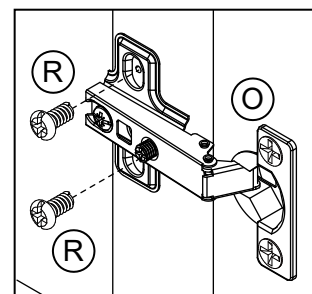
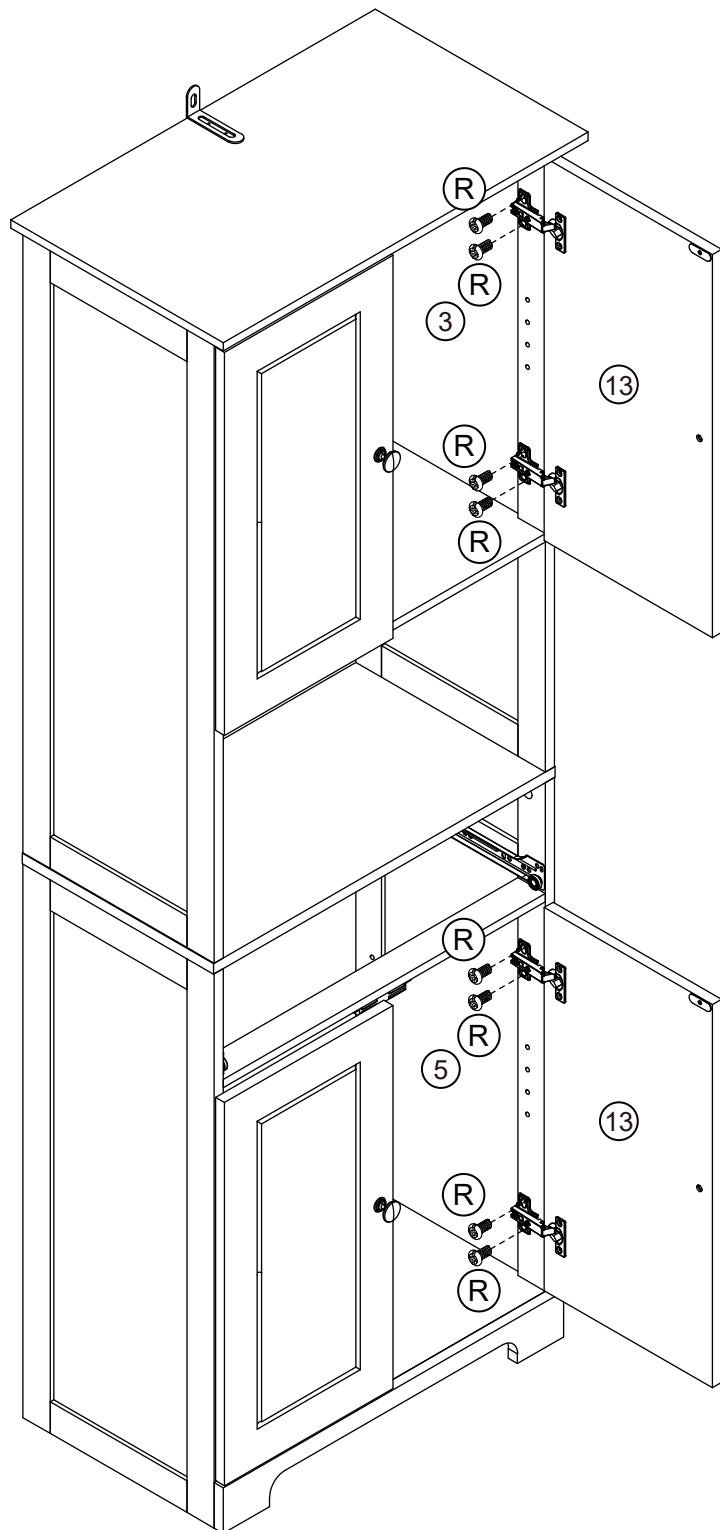
Step 15



 <p>R</p> <p>6*11mm Screw x 8</p>
--

Assembly Instructions

Step 16



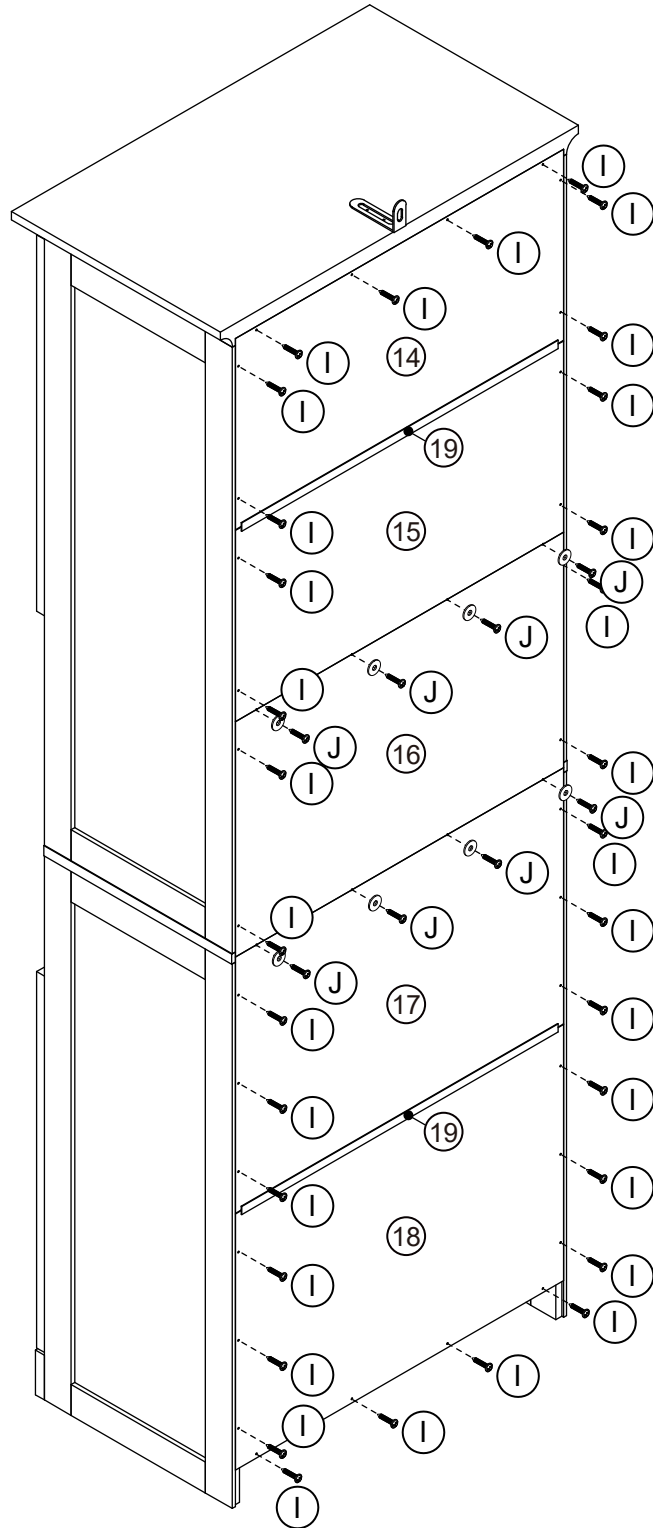
(R)



6*11mm Screw x 8

Assembly Instructions

Step 17



I



2.5*12mm Screw x 32

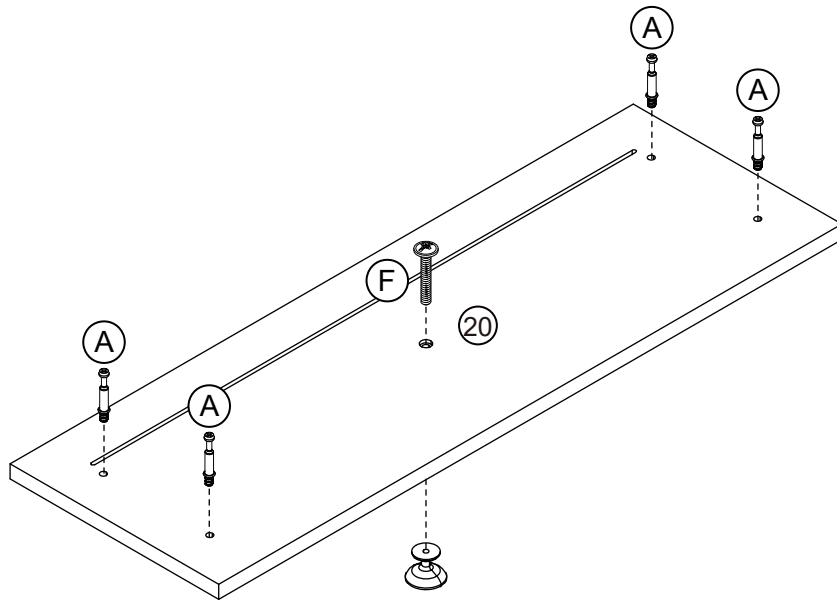
J



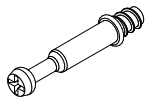
12*1mm Iron Washer x 8

Assembly Instructions

Step 18

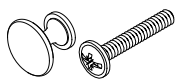


(A)



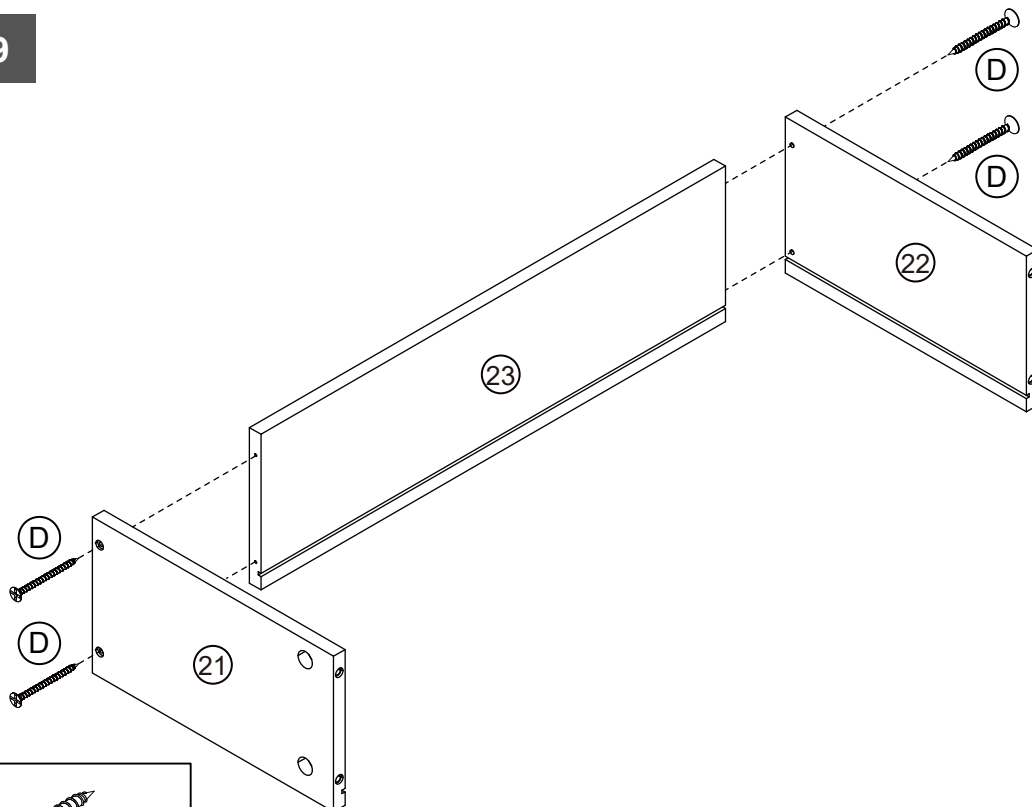
Cam Bolt x 4

(F)



Handle x 1

Step 19



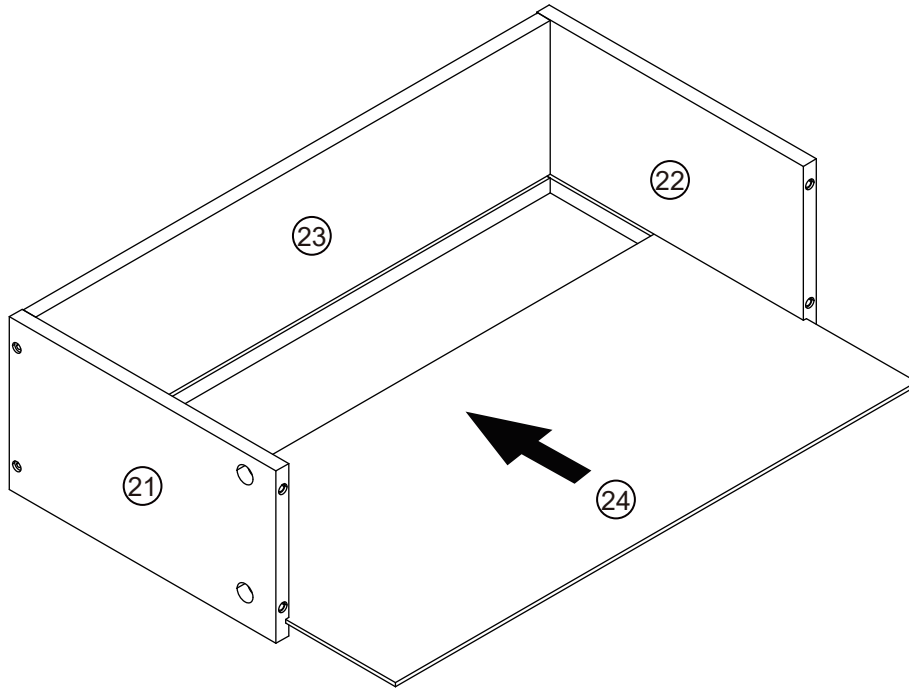
(D)



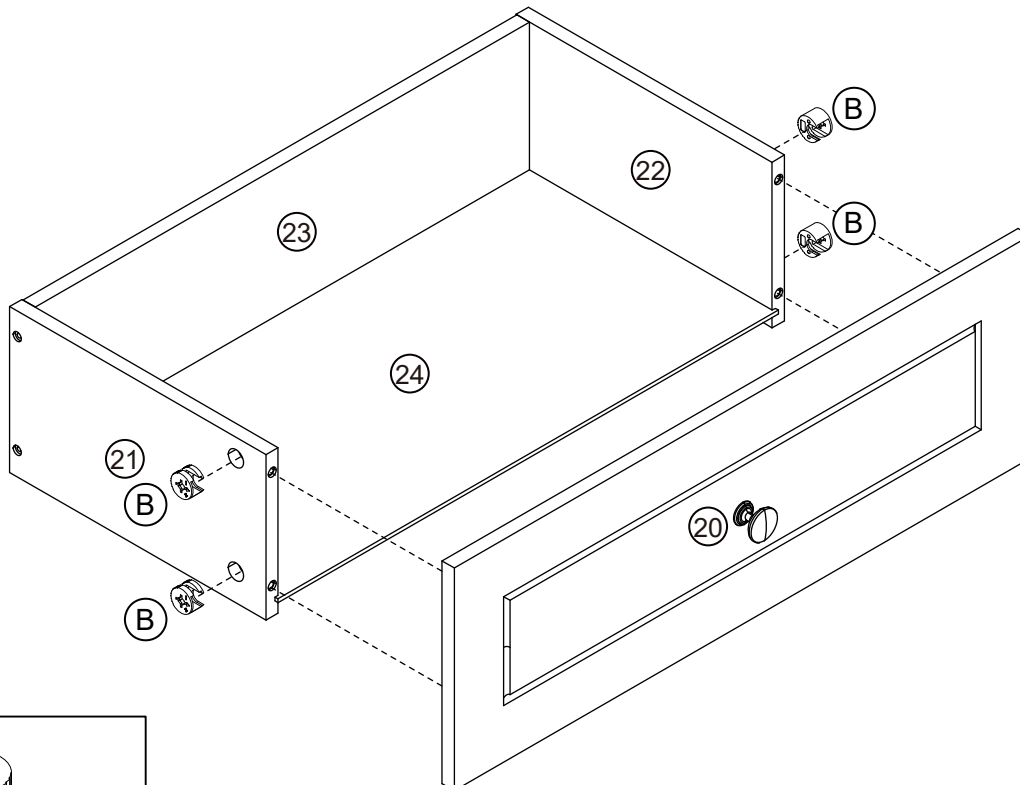
4*35mm Screw x 4

Assembly Instructions

Step 20



Step 21



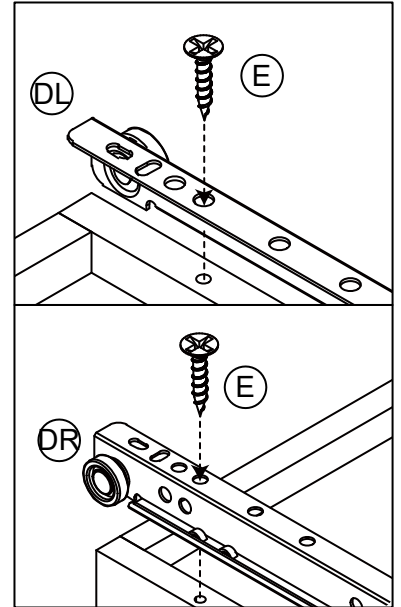
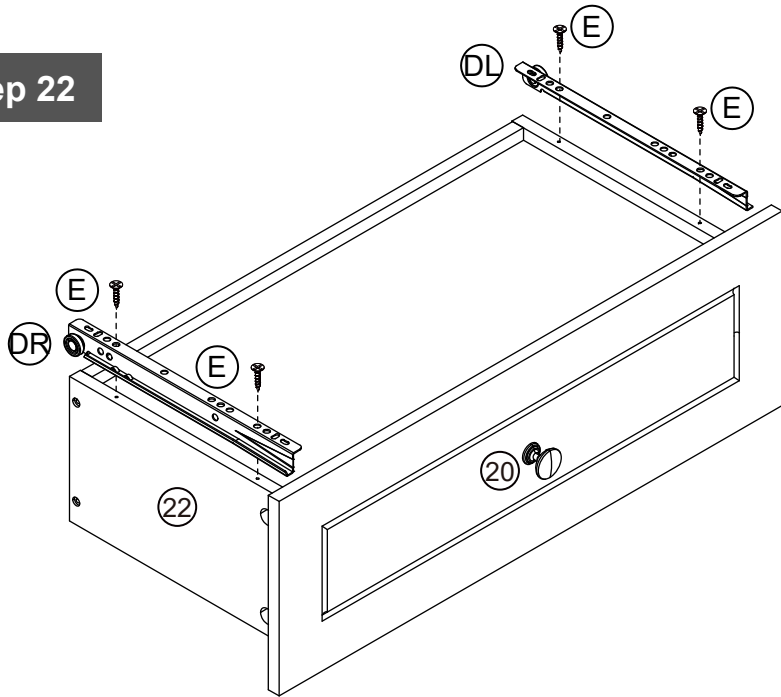
(B)



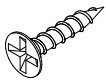
Cam Lock x 4

Assembly Instructions

Step 22

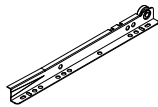


(E)



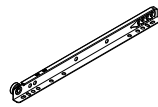
3.5*12mm Screw x 4

(DL)



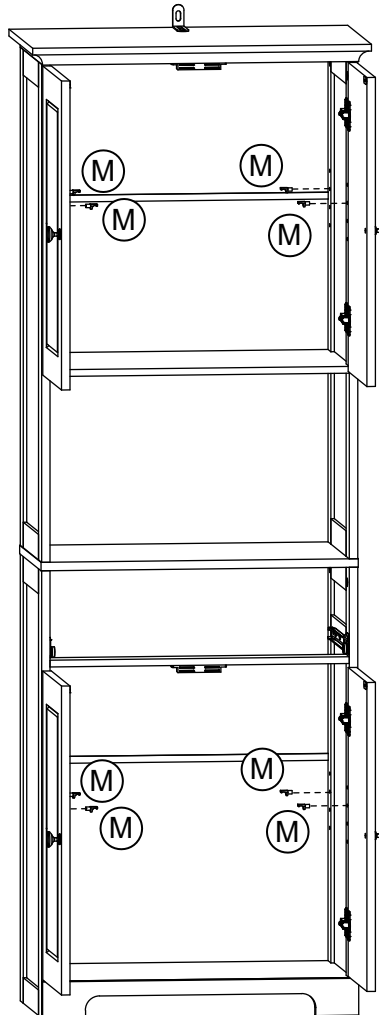
Runner 250mm x 1

(DR)

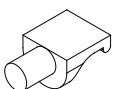


Runner 250mm x 1

Step 23



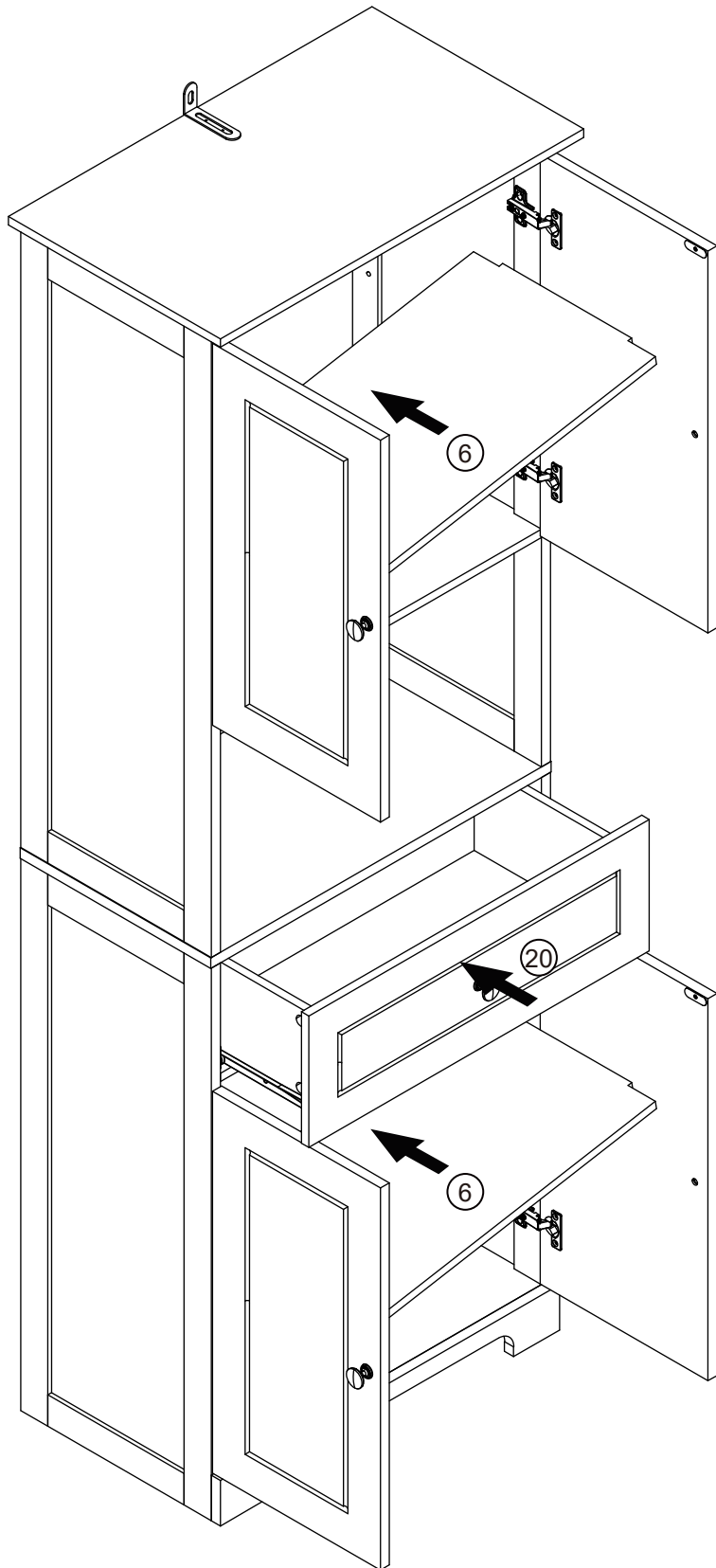
(M)



Shelf Bracket x 8

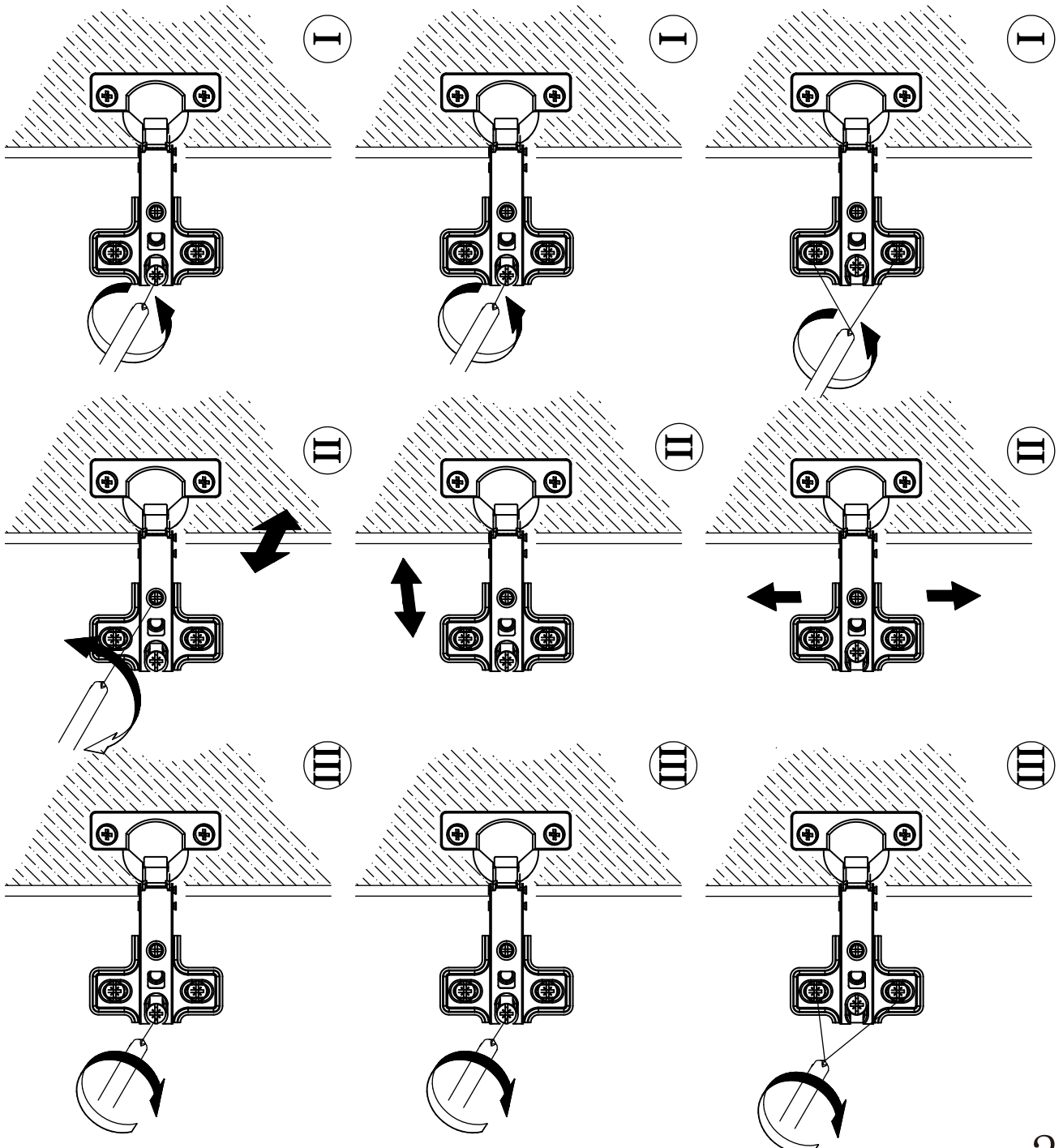
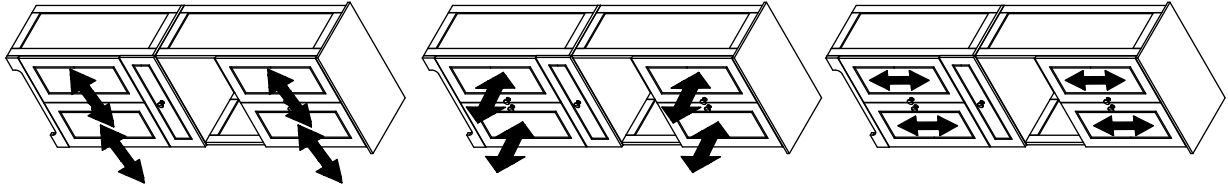
Assembly Instructions

Step 24



Assembly Instructions

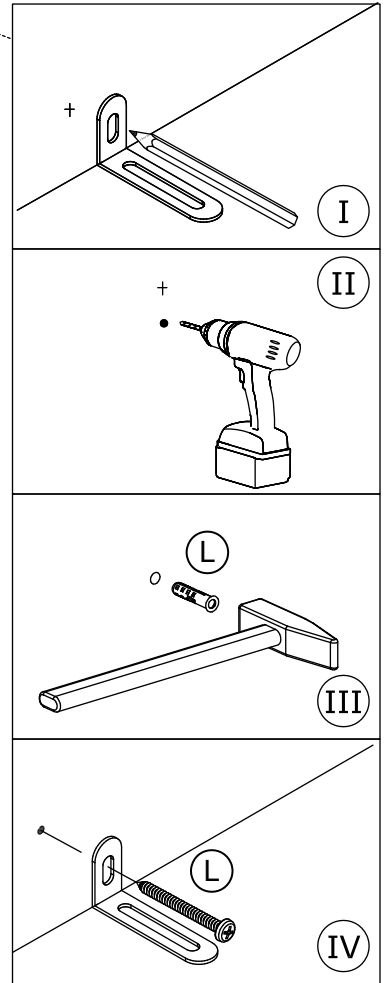
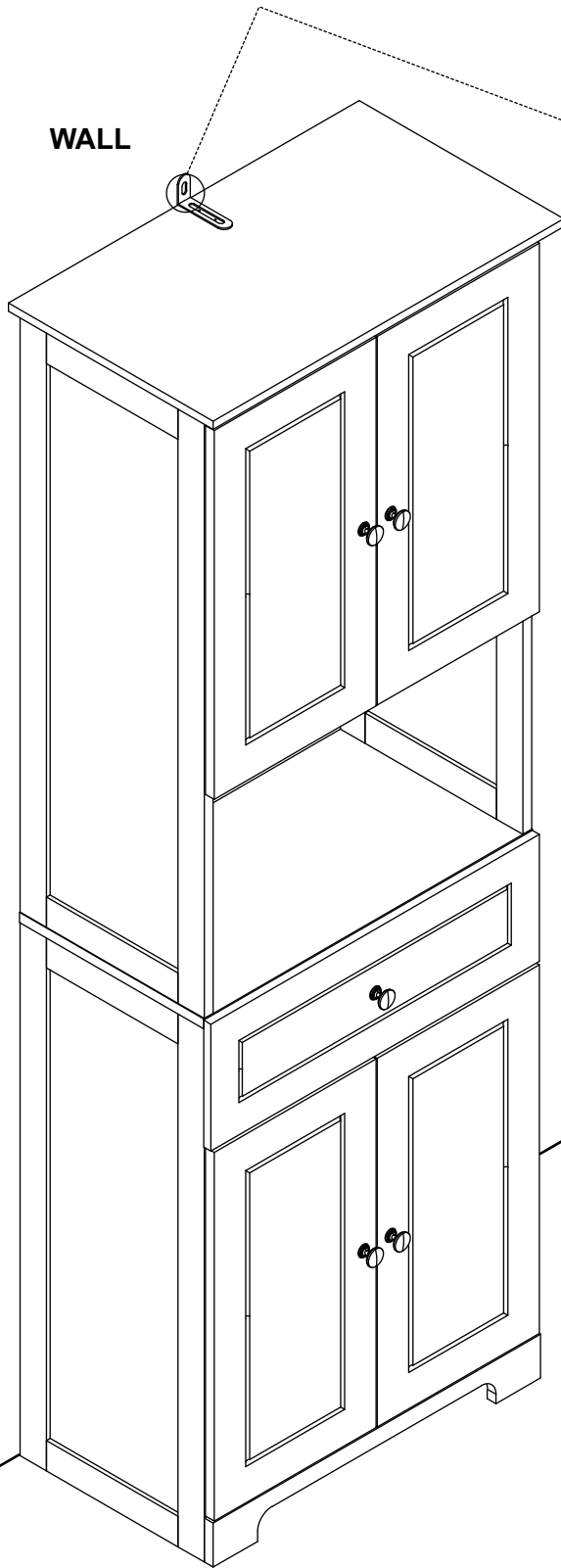
Step 25



Assembly Instructions

Step 26

WALL



Wall Plug x 1

Assembly Instructions

Step 27

