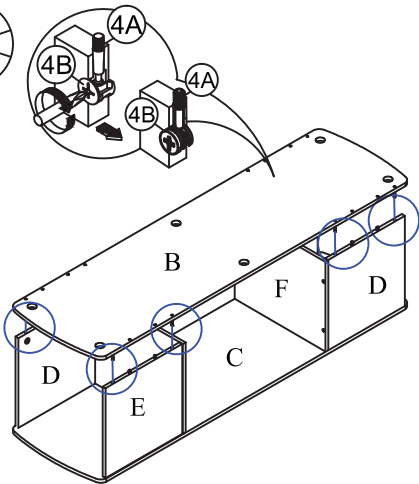
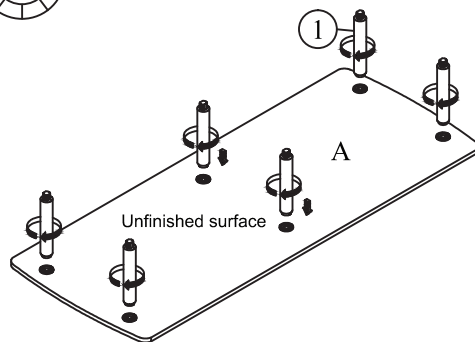


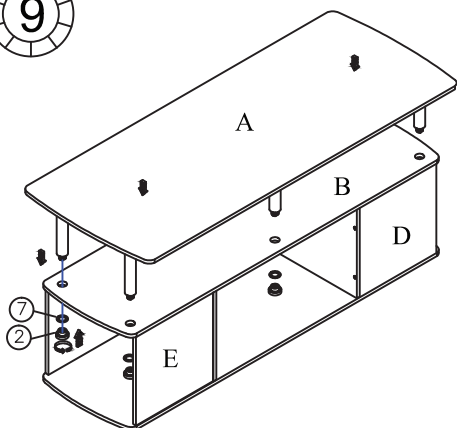
7



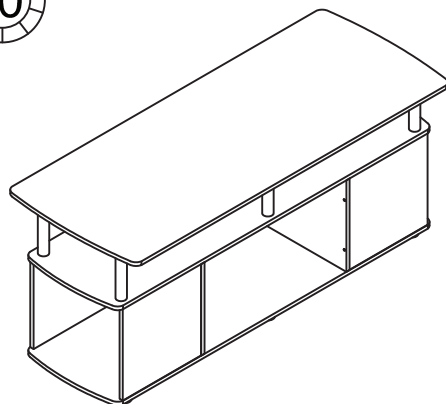
8



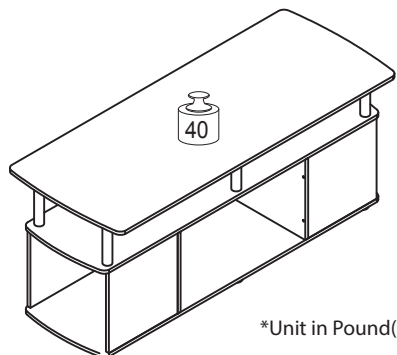
9



10



**Recommended Maximum Weight**



\*Unit in Pound(lbs)

**WARNING:**

>This unit has been designed to support the maximum loads shown. Exceeding these load limits could cause sagging, instability, product collapse, and/or serious injury.

>DO NOT allow children to climb on unit.

>Put heavier items on lower shelves.

**Assembly Instruction**

Entertainment Center/ Coffee Table

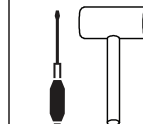
DIMENSION : 47.2" (W) x 20.1" (H) x 18.9" (D)

00:30

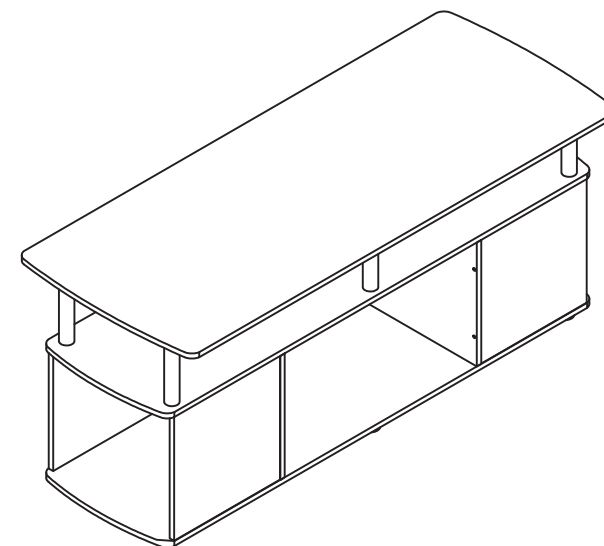
Approx. 30 minutes











Recomm. 2 Person

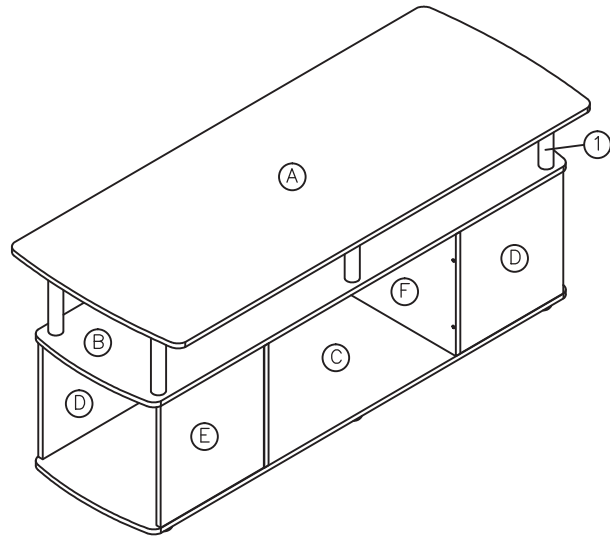


Tool Required



No	Hardware List	Qty
A	TOP PANEL	1pc
B	CENTER PANEL	1pc
C	BOTTOM PANEL	1pc
D	LEFT SIDE PANEL	2pcs
E	RIGHT SIDE PANEL	2pcs
F	CENTER SIDE PANEL	2pcs

No	Parts List	Qty
1	SHORT ROUND POLE 	6pcs
2	SMALL ROUND LEG 	6pcs
3	PVC LEG WITH PLUG 	6pcs
4	MINI FIX +HOUSING 4A/4B 	8sets
5	DOWEL 	16pcs
6	C/B SCREW 	16pcs
7	PVC ROUND RING 	6pcs
8	INSERT CAP 	6pcs



**USEFUL HINTS BEFORE YOU START:**

1. Read each step carefully before starting.
2. It is important that each step is performed in correct order to avoid difficulties.
3. Identify, sort and count the parts before assembly.
4. Assemble your furniture on packaging cardboard to prevent scratch or damage.
5. Clean the product with mild cleanser using soft damped cloth. Do not use harsh or abrasive cleanser.
6. Using incompatible hardware might cause damage to product.

