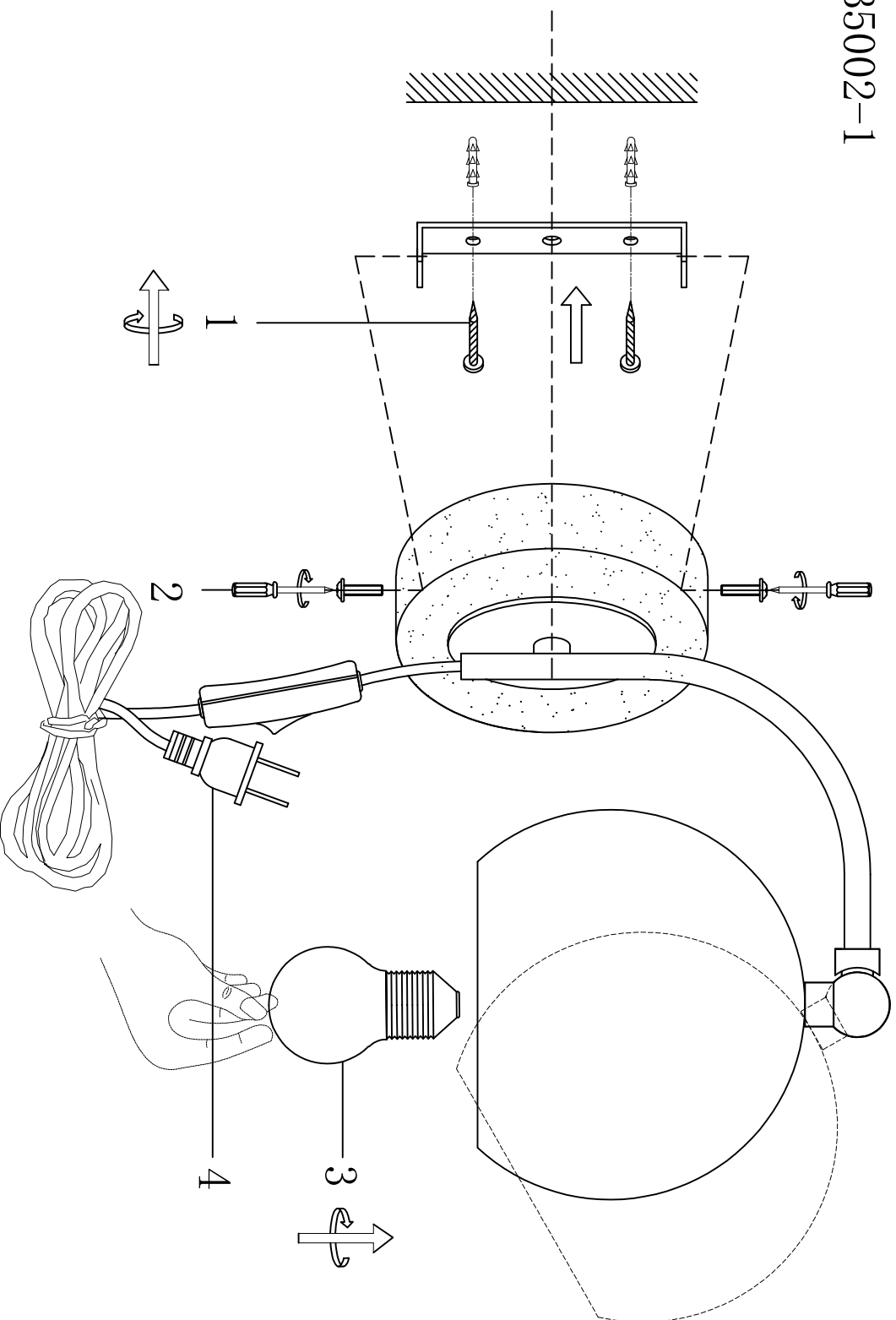


ITEM NO: B5002-1



Before installing, please cut off the power and install with gloves.

1. First remove the metal plate from the lamp, Please use screws to fix the metal plate on the junction box.
2. Fix the lamp on the metal plate with screws.
3. Twist and fix the bulb (except the factory bulb).
4. Plug in the power cord and press the NO/OFF control to turn on/off the lights. The installation is complete.

If you have any questions, please contact 2857892351@qq.com We are always on call!!