




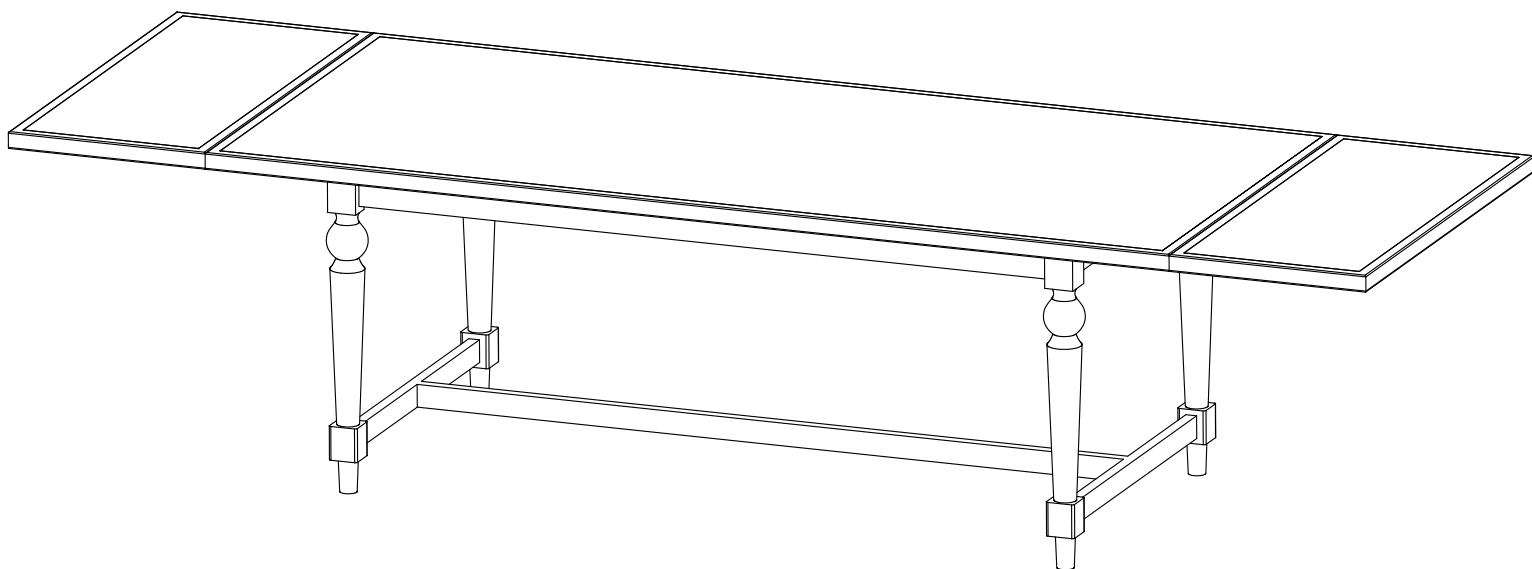


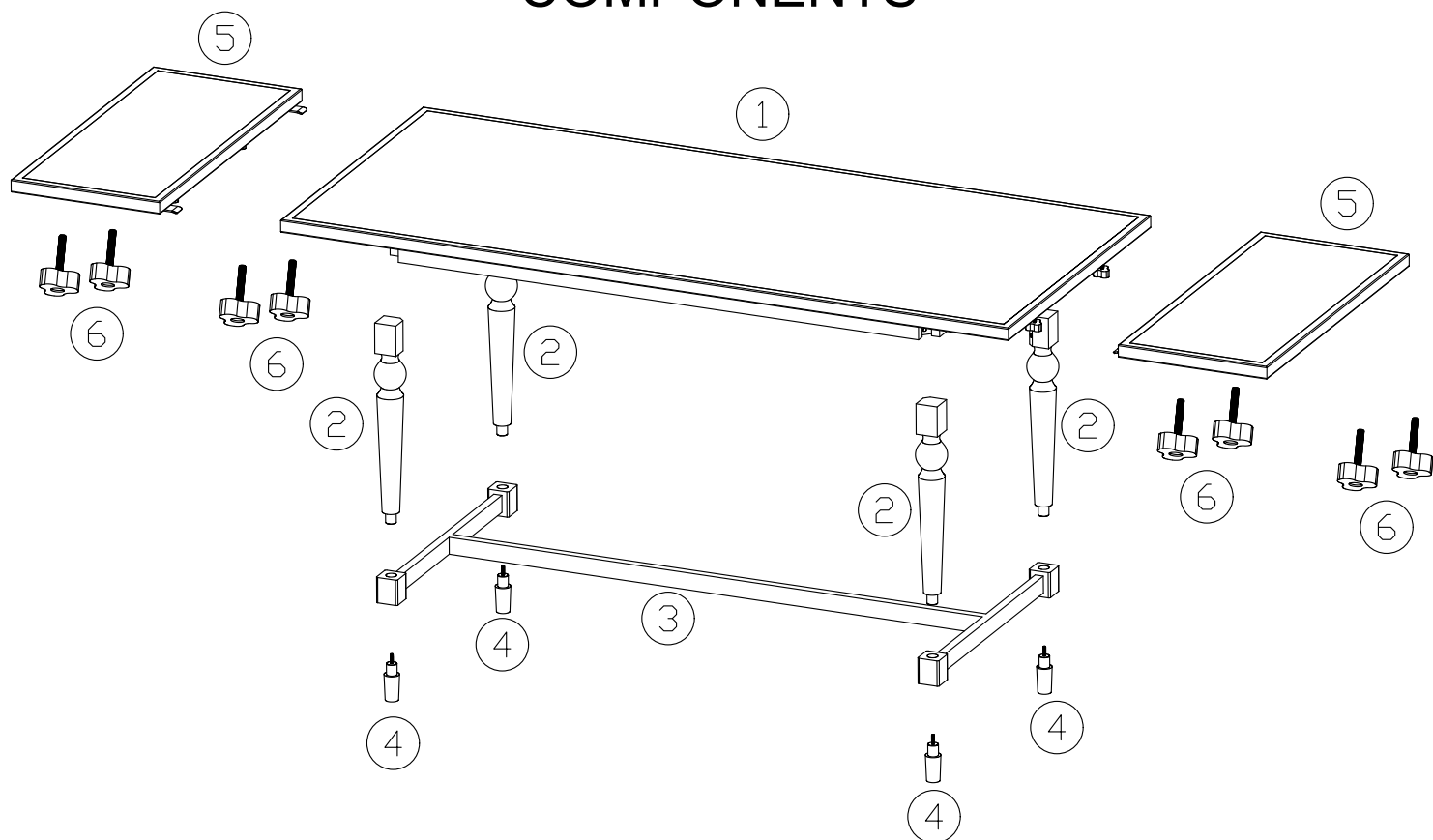
ASSEMBLY INSTRUCTION FOR DINING TABLE

HARDWARE LIST

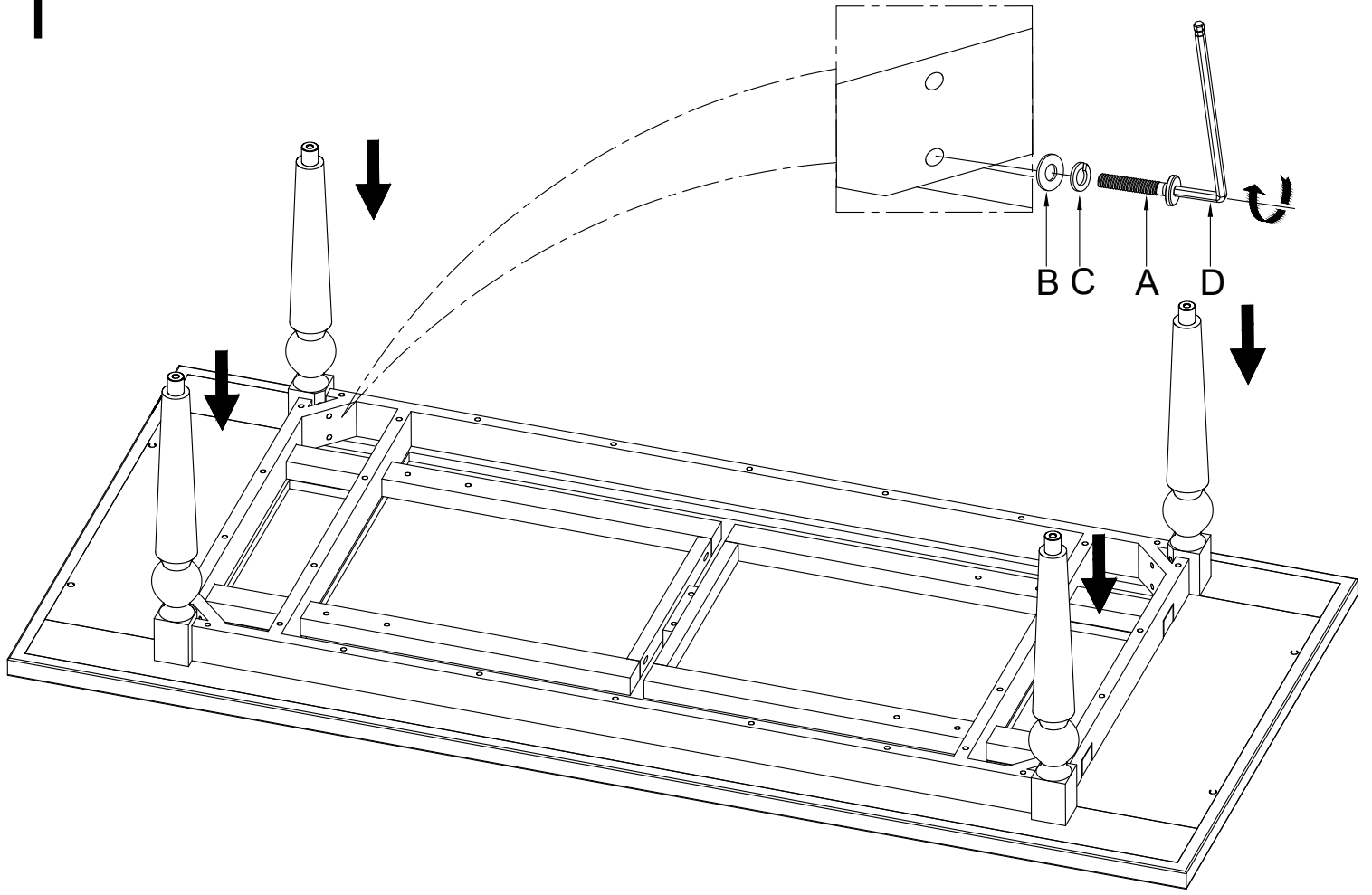
A		Bolt	M8 x 60mm	8
B		Washer	8 x 19mm	8
C		Lock Washer	8 mm	8
D		Allen Key	4mm	1
E		Wood Threaded Stud Knob	M10(inch)x75mm	8



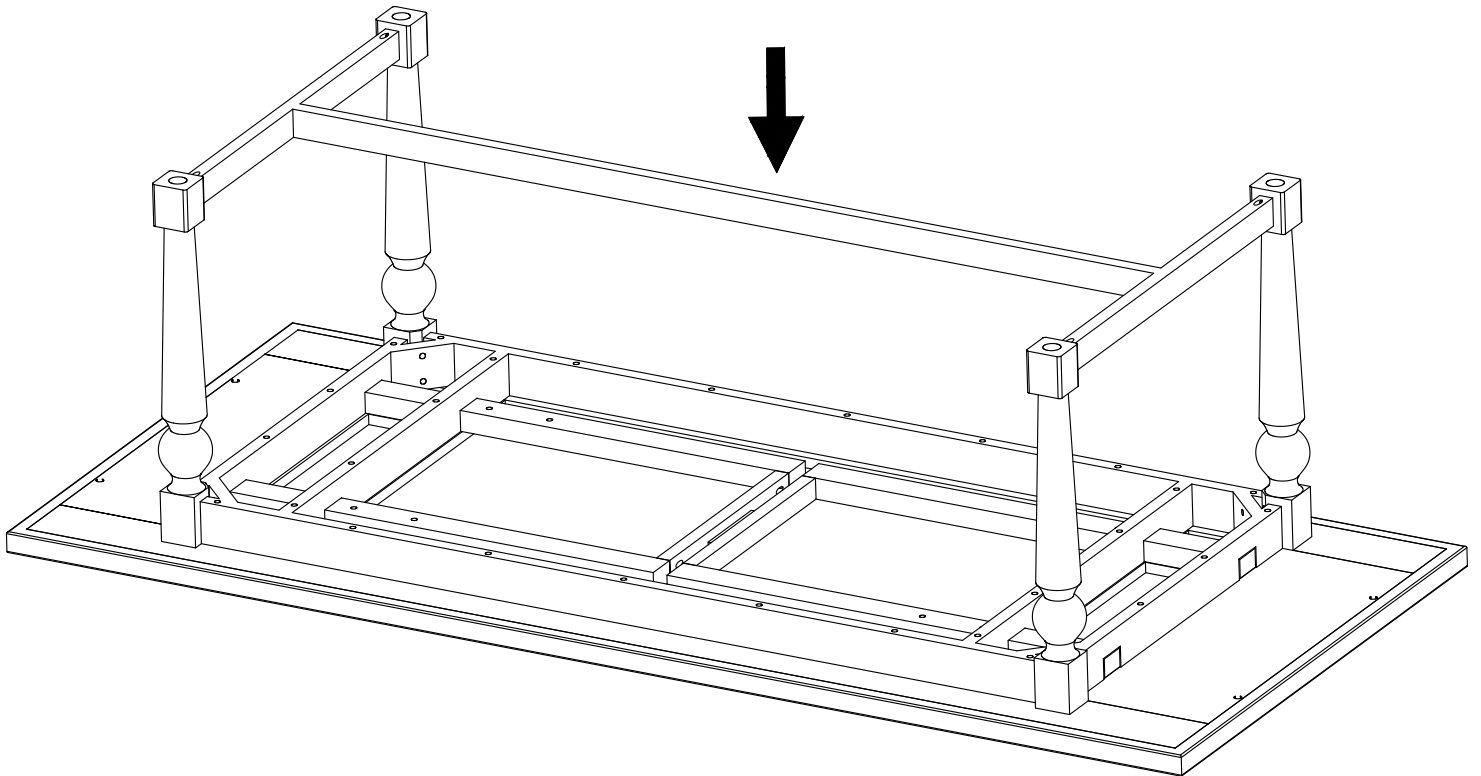
COMPONENTS



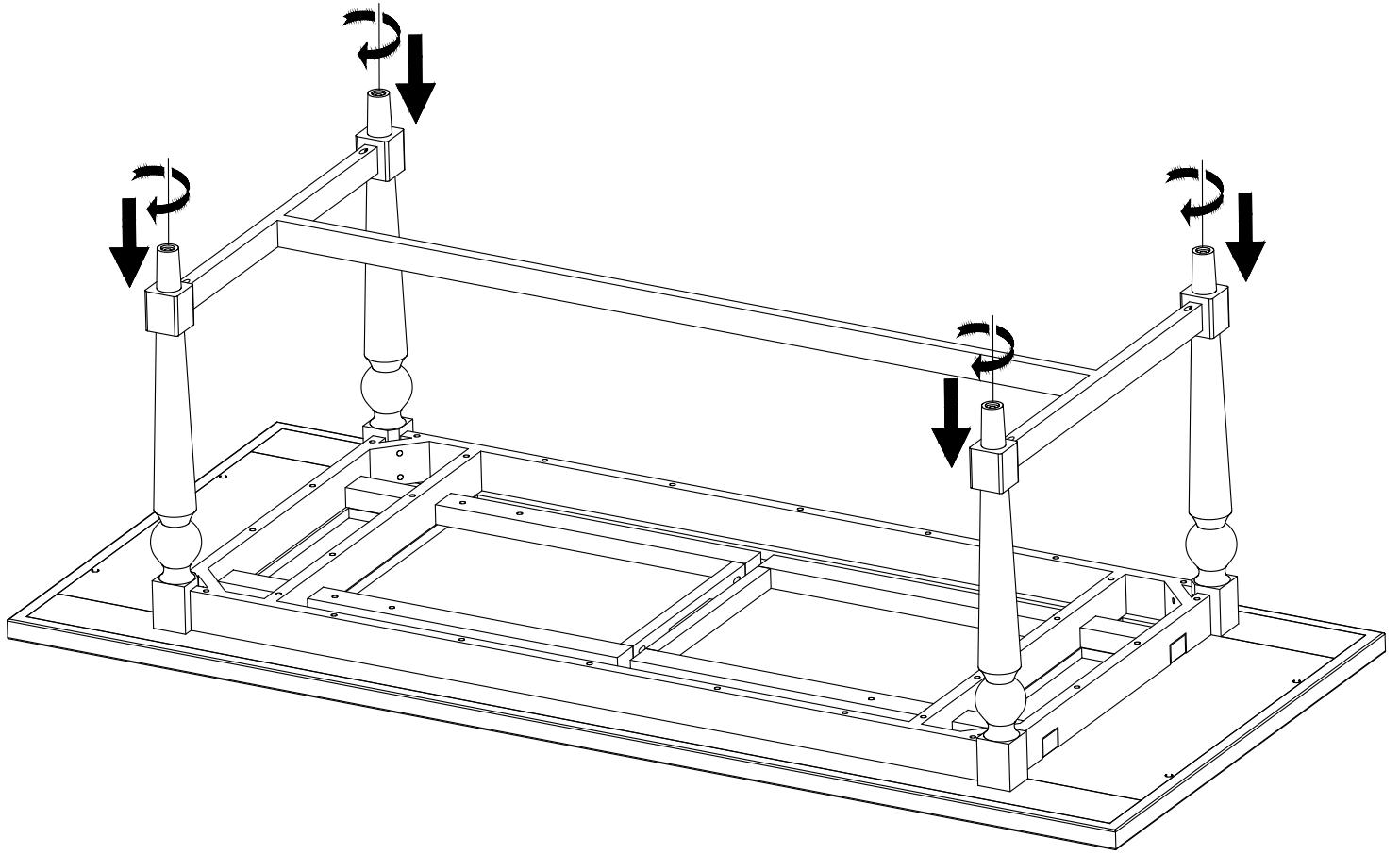
1



2

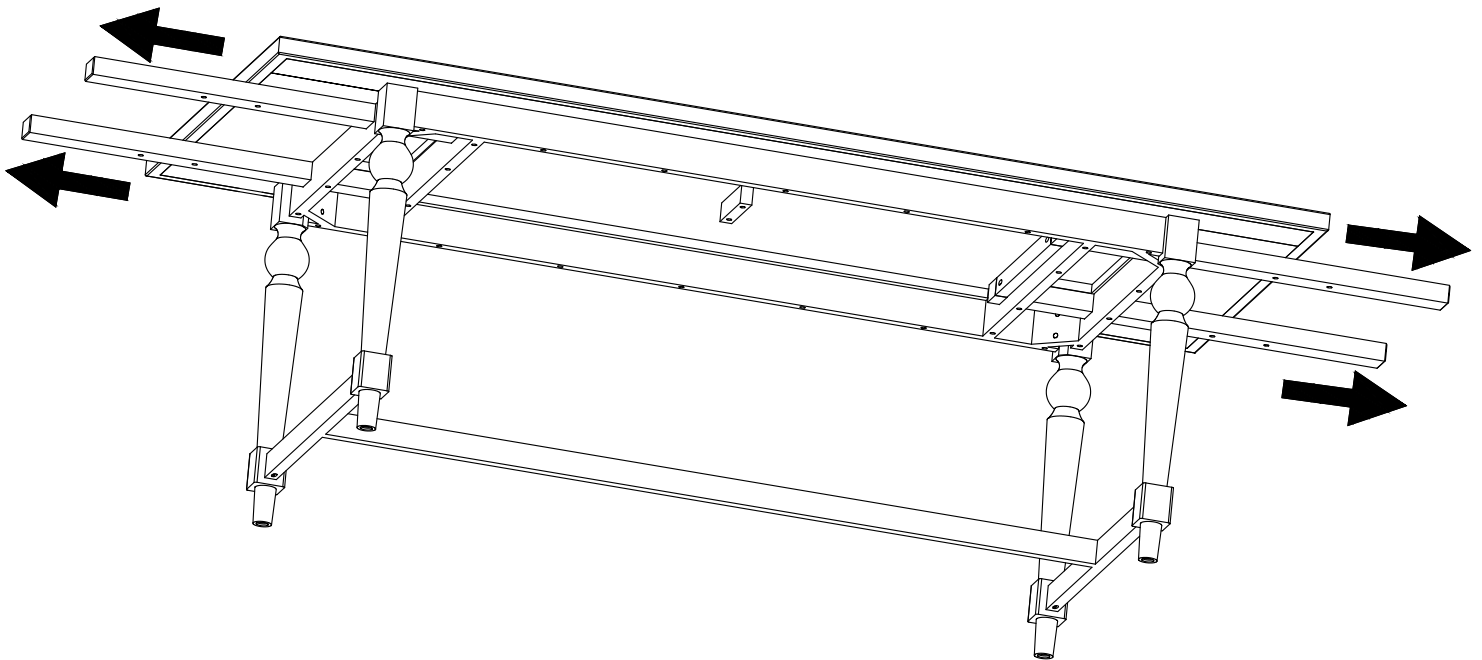


3

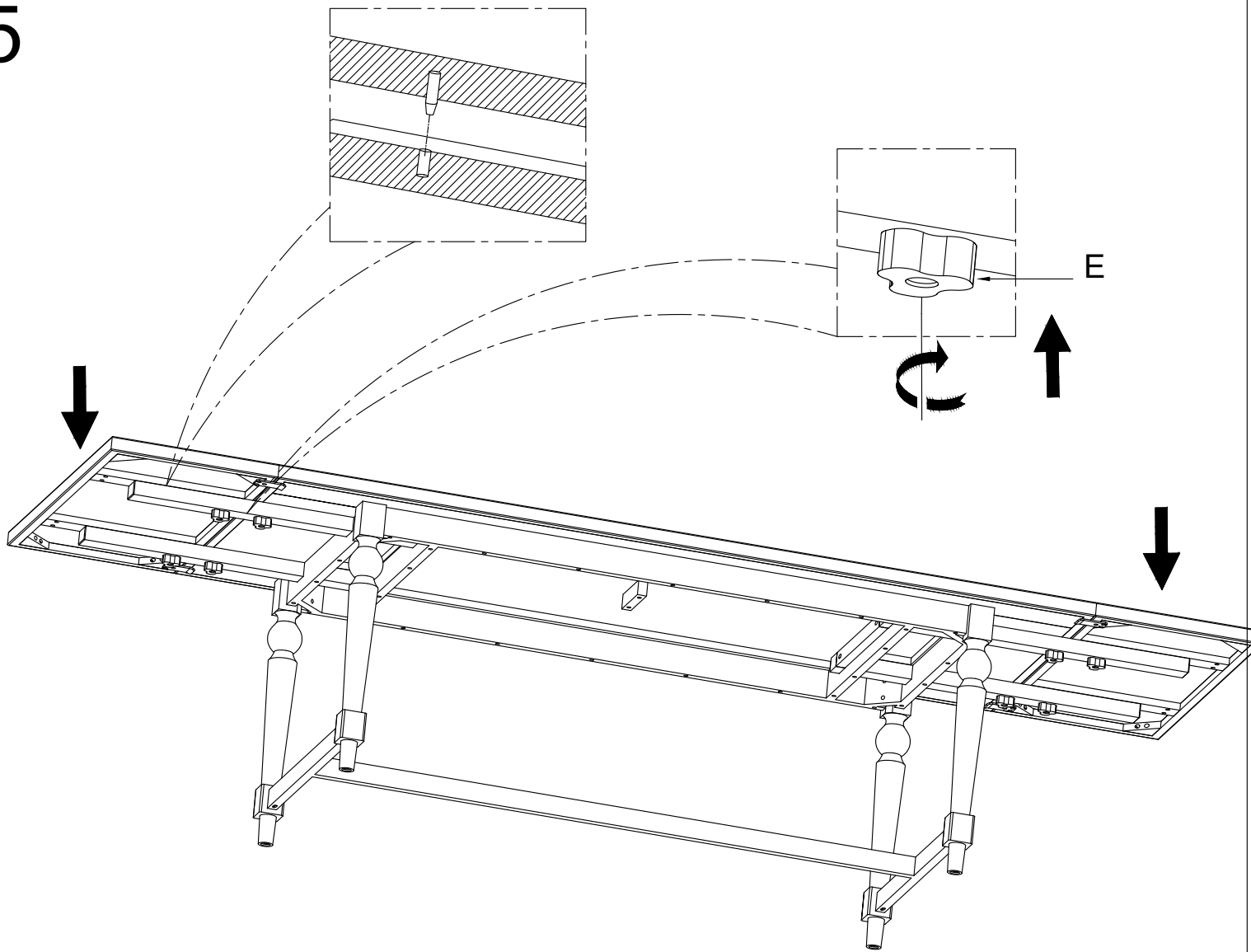


4

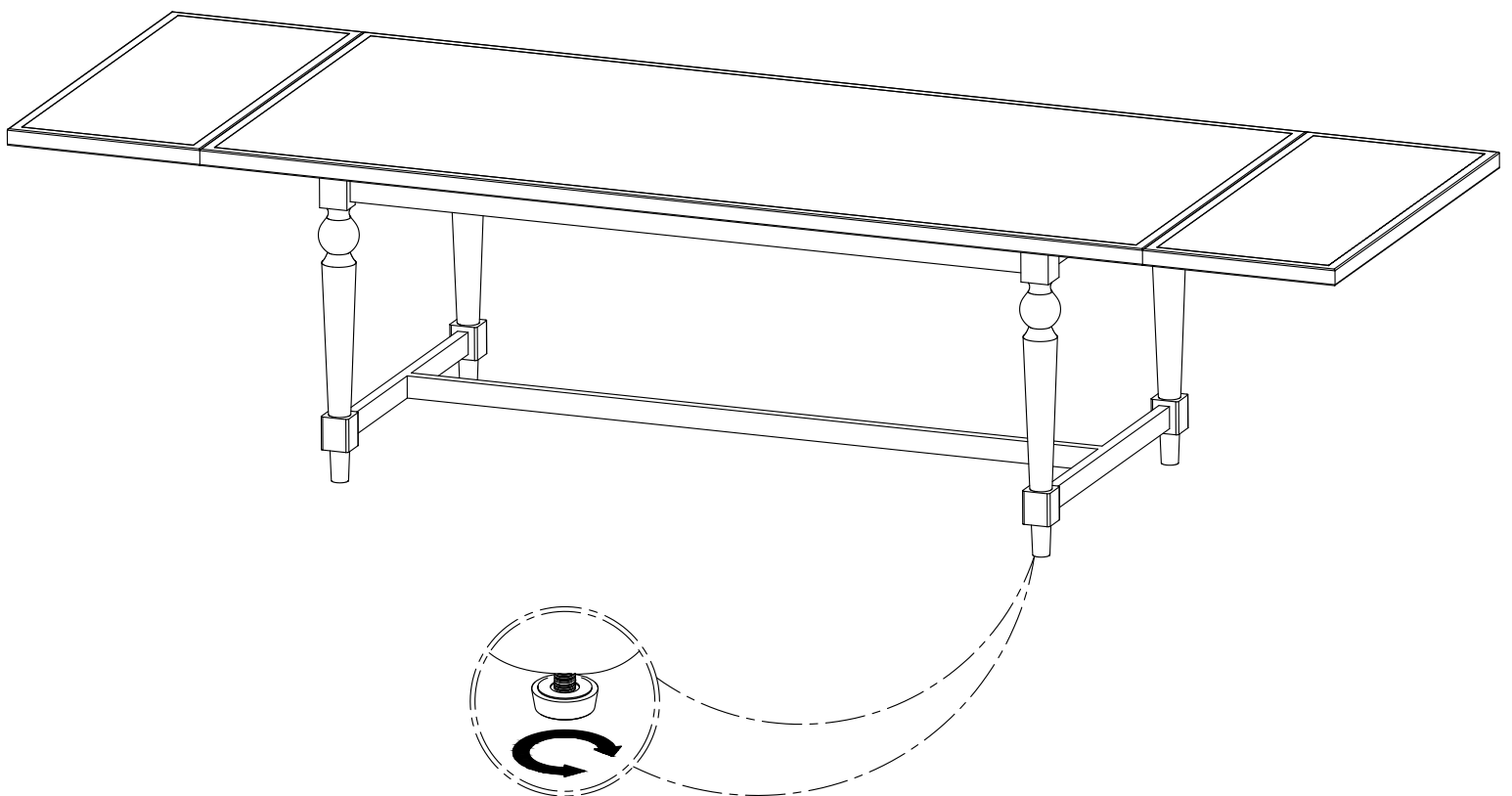
USER MANUAL



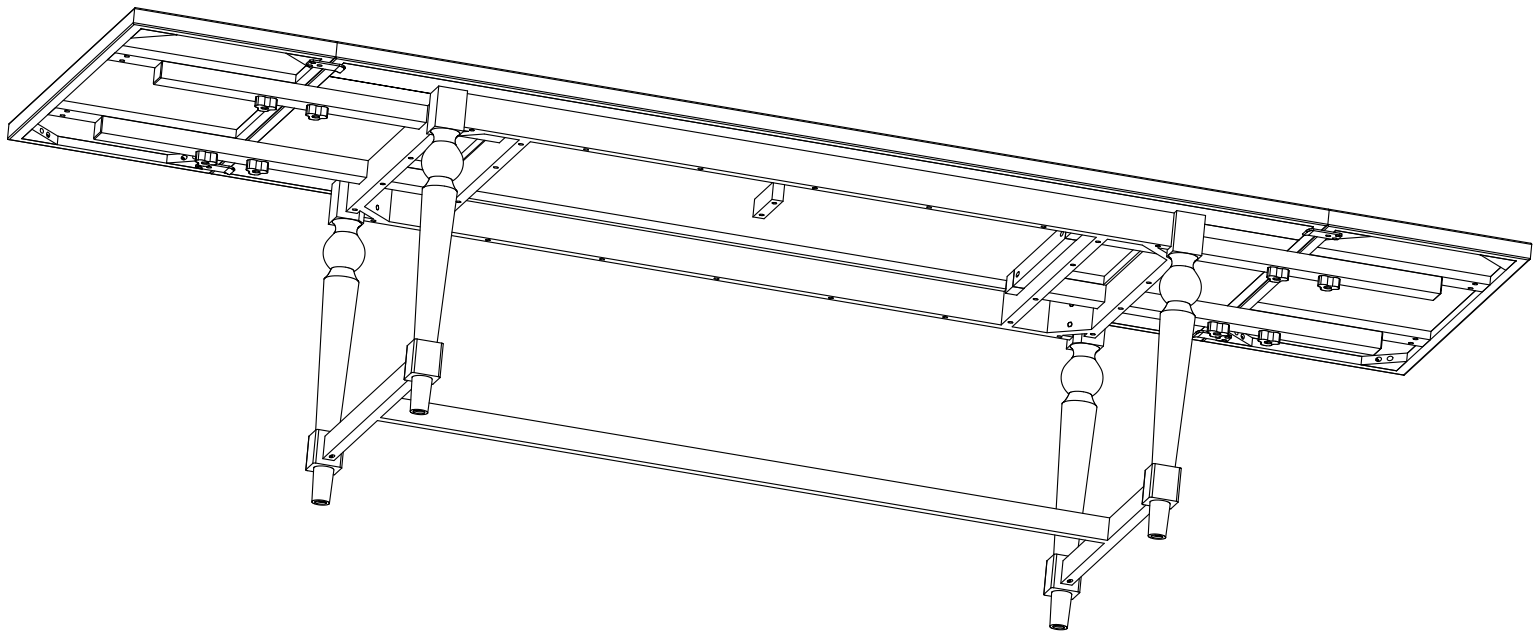
5



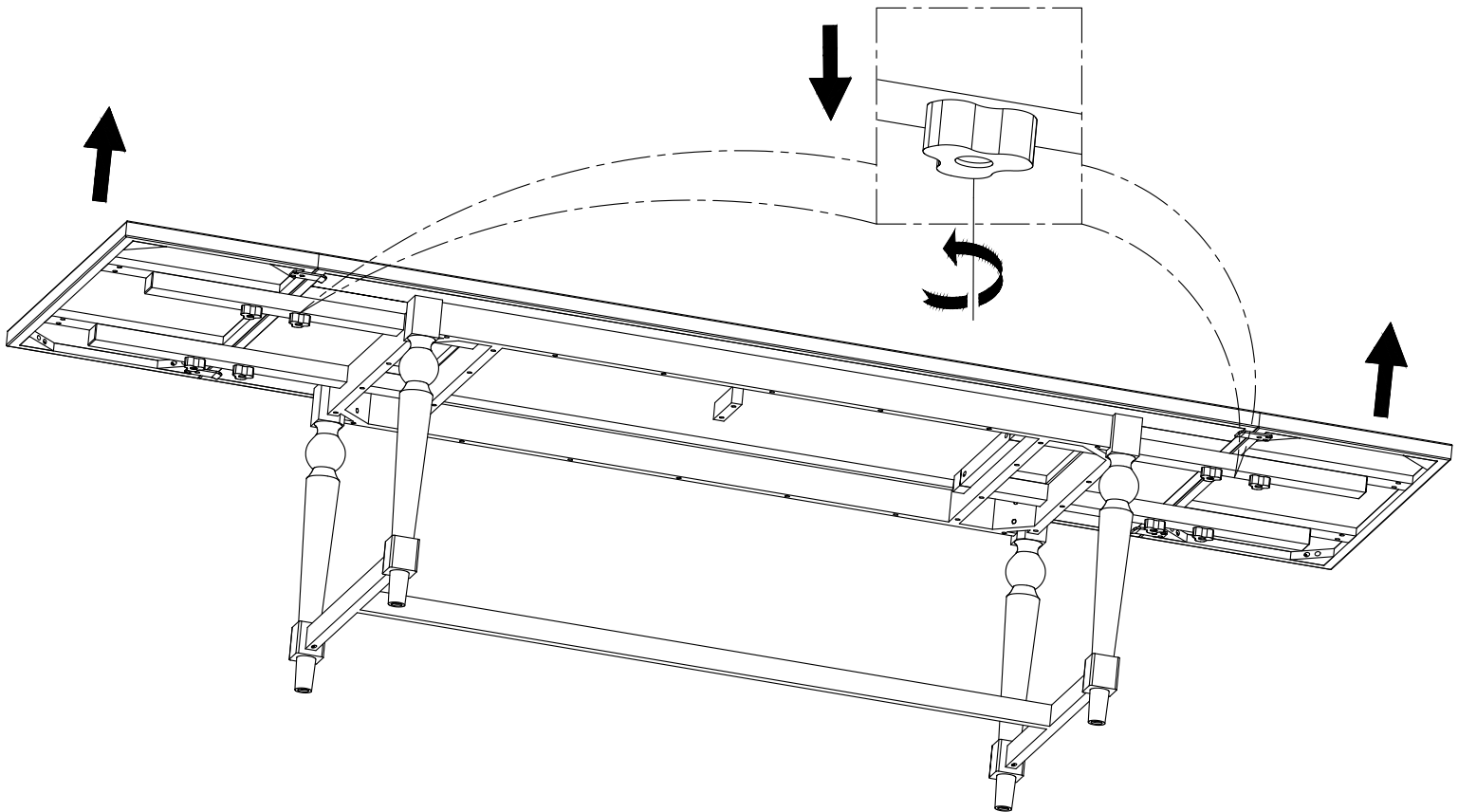
6



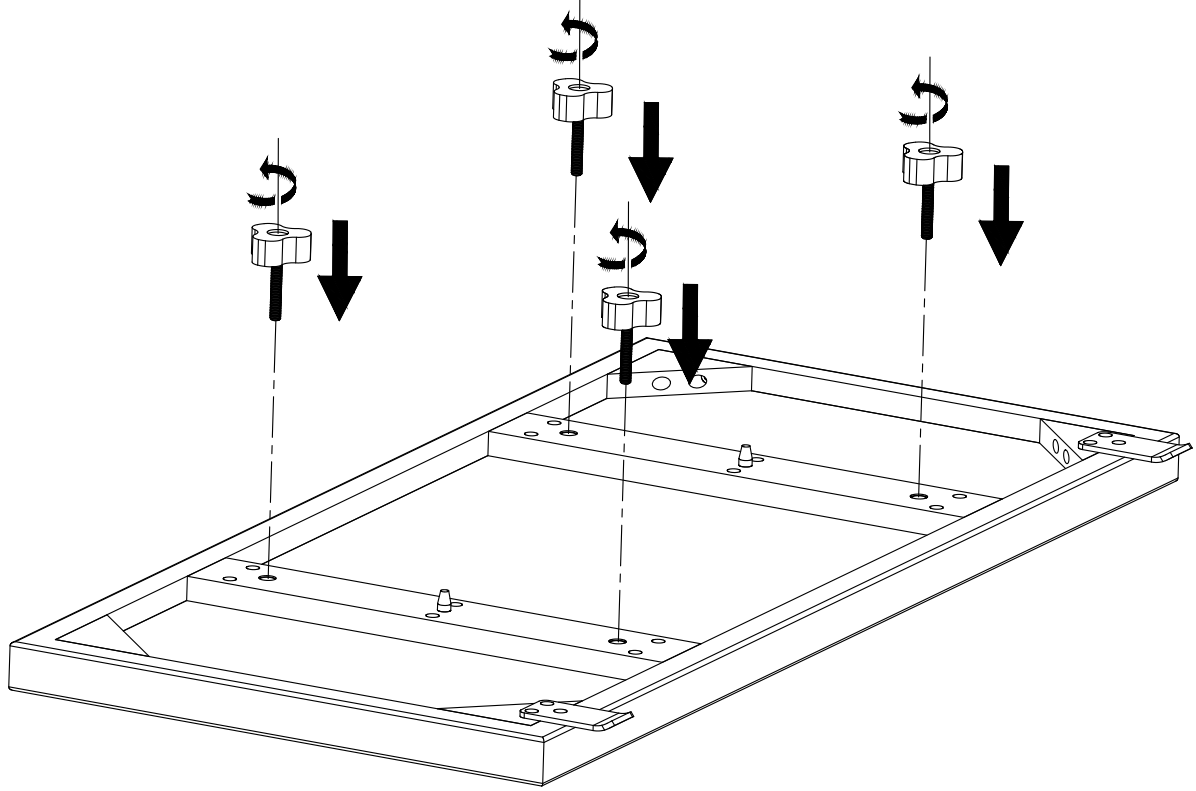
7



8



9



10

