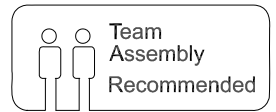
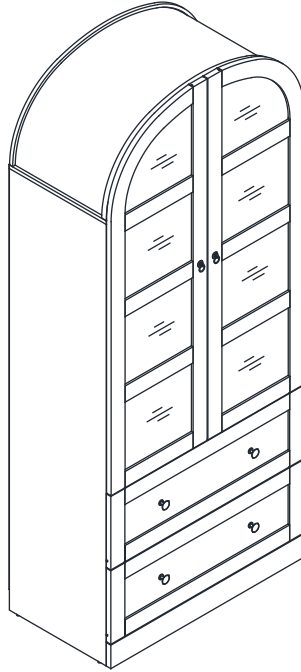


Assembly Instruction



Trouble shooting:

Missing / Wrong / Broken parts and installation issues



Send email with your question pic, order NO.



Respond within 24 hours



Issue resolved

Tips!



1. Check all the components & screws are intact before assembling .
2. If you notice any pieces are missing or damaged please do not assemble and contact us immediately .
3. **Please send an email with you order number and issues, we will respond within 24 hours.**

IMPORTANT SAFETY INFORMATION

Please carefully read the following instructions and caution warnings before assembling the product.

Following this guide will ensure that you install, use and maintain the product properly.

Please keep this installation and user manual/instructions for future reference in case you need to disassemble the product.

Never allow children to climb onto the product. Ensure that you have special safety measures when children are around on their own.

Be sure to check that all parts of the product are intact after you open the package.

Do not assemble if you notice serious damage such as cracks or bends.

During installation, please use work gloves for hand safety.

Please assemble the unit on carpeted floor or the flat cardboard box to avoid scratching the surface or your floor while assembling on the floor.

To assemble, please use the complimentary installation tools (Phillips screwdriver). Pay more attention to the direction of components at each steps.

It is recommended that two people work together to assemble the product.

RETURN POLICY

Please contact us directly within 30 days after receiving.

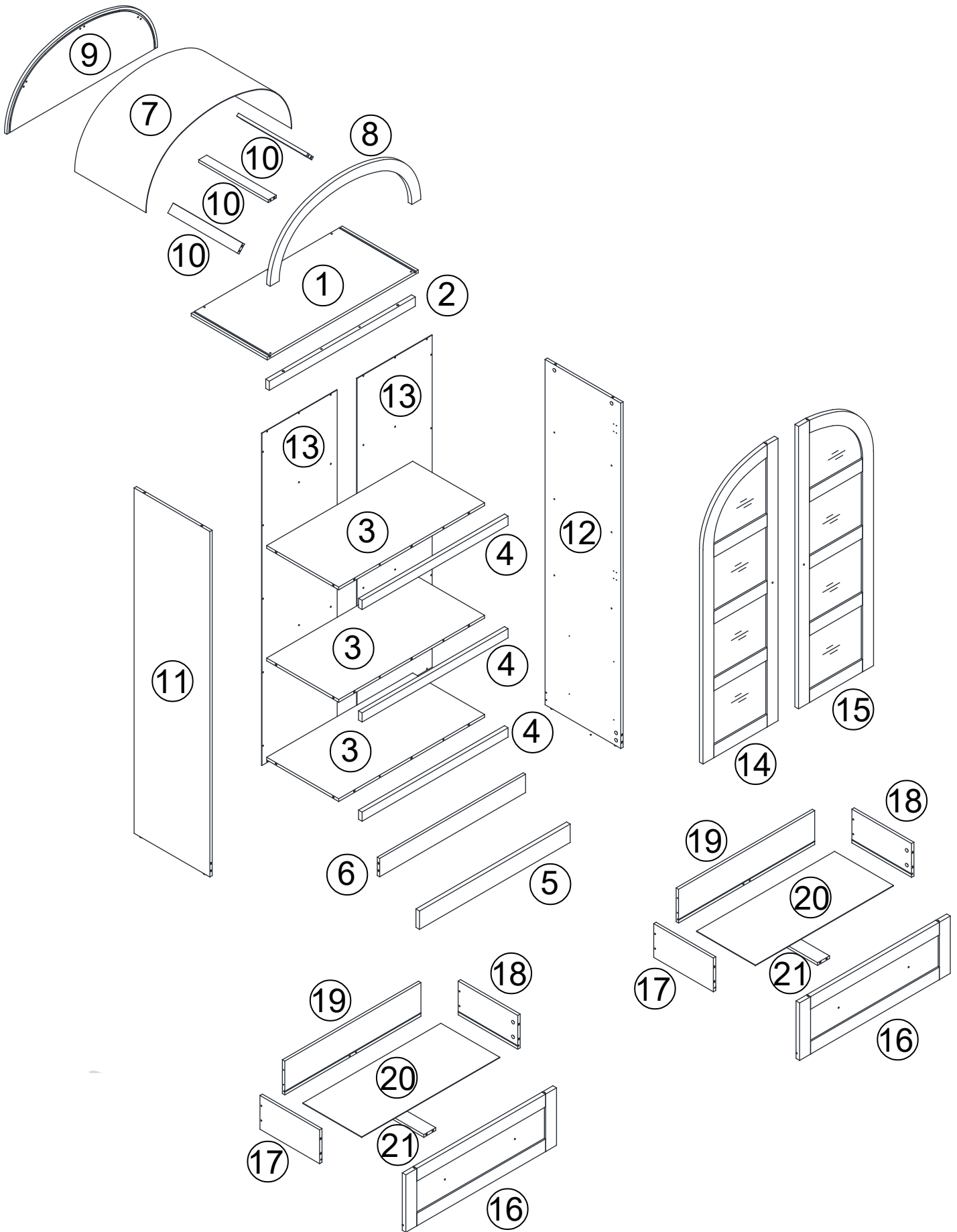
Ensure the product is in a good condition with the original box and all original certificates of purchase, manuals, and accessories attached.

HOW TO MAINTAIN YOUR PRODUCT

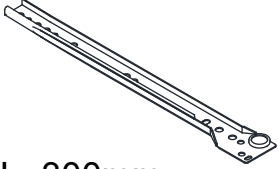

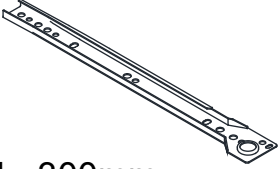
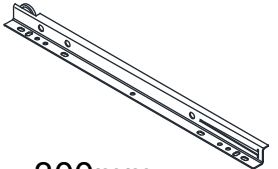
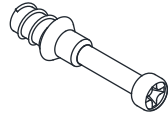





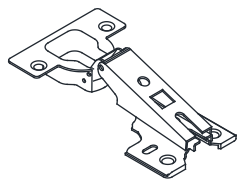
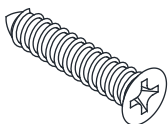

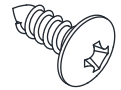

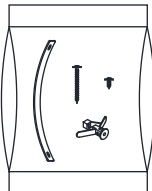
Check the screws of the product are not loose from regular use.

Do not use sharp instruments, rubbing alcohol, corrosive chemicals, or abrasive cleaners to clean the item.

Please check that you have all the parts listed below

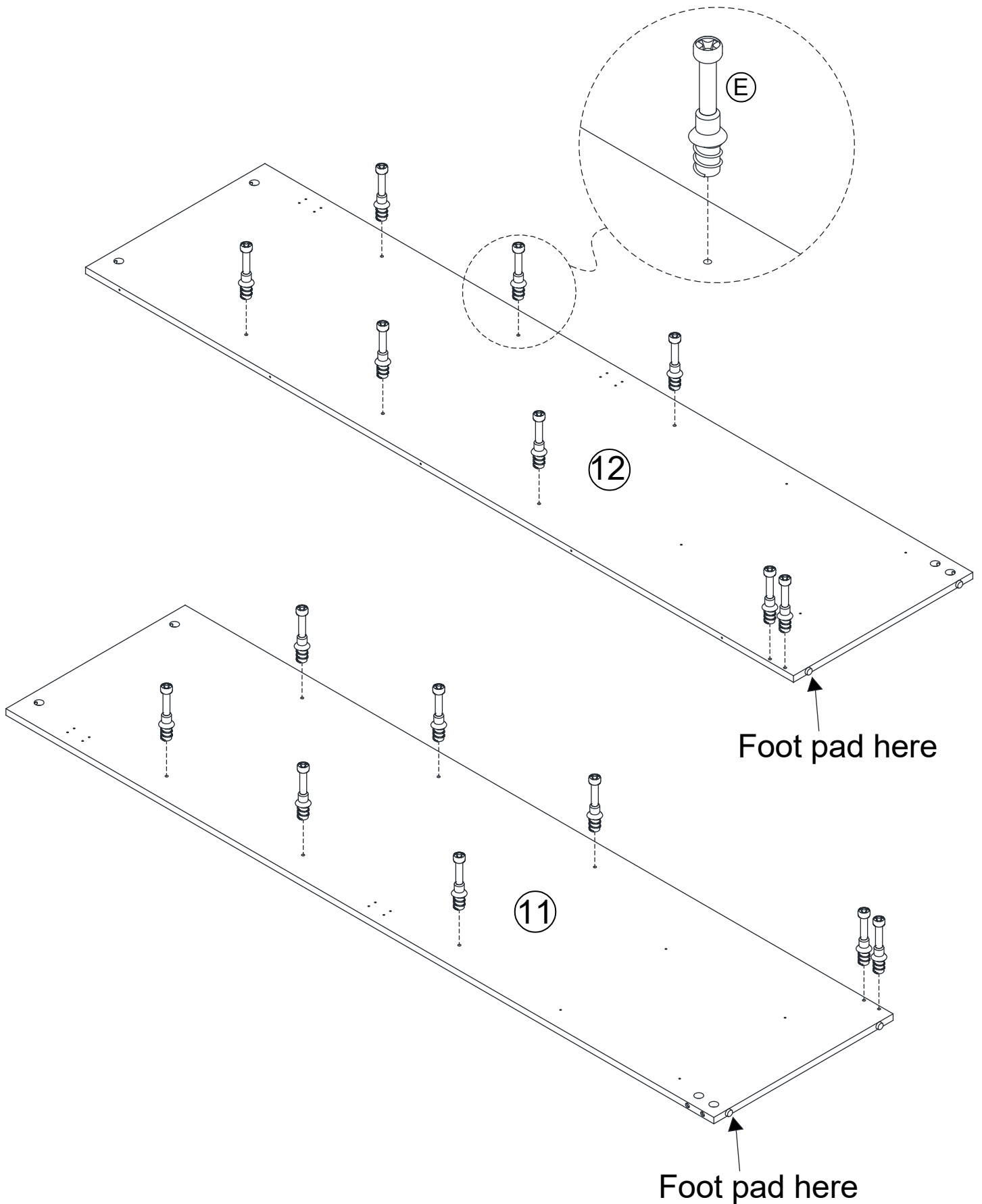
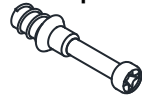


Please check that you have all the parts listed below

<p>Ⓐ x 2pcs</p>  <p>L=300mm</p>	<p>Ⓑ x 2pcs</p>  <p>L=300mm</p>	<p>Ⓒ x 2pcs</p>  <p>L=300mm</p>	<p>Ⓓ x 2pcs</p>  <p>L=300mm</p>
<p>Ⓔ x 50pcs</p>  <p>M6*32mm</p>	<p>Ⓕ x 50pcs</p>  <p>Ø15*9mm</p>	<p>Ⓖ x 50pcs</p>  <p>Ø25mm</p>	<p>Ⓗ x 12pcs</p>  <p>Ø6*30mm</p>
<p>Ⓙ x 2pcs</p> 	<p>Ⓚ x 4pcs</p> 	<p>Ⓛ x 4pcs</p> 	<p>Ⓜ x 22pcs</p>  <p>M5*30mm</p>
<p>Ⓟ x 6pcs</p>  <p>M4*12mm</p>	<p>Ⓠ x 34pcs</p>  <p>M4*12mm</p>	<p>Ⓢ x 40pcs</p>  <p>M4*12mm</p>	<p>⑨6 x 1pc</p> 

1

(E) x 16pcs

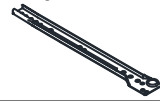


2

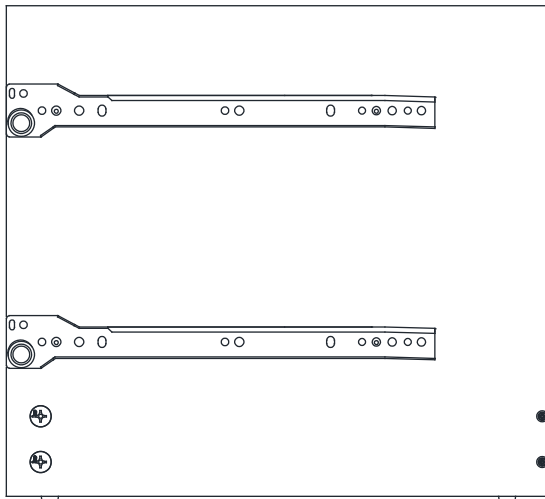
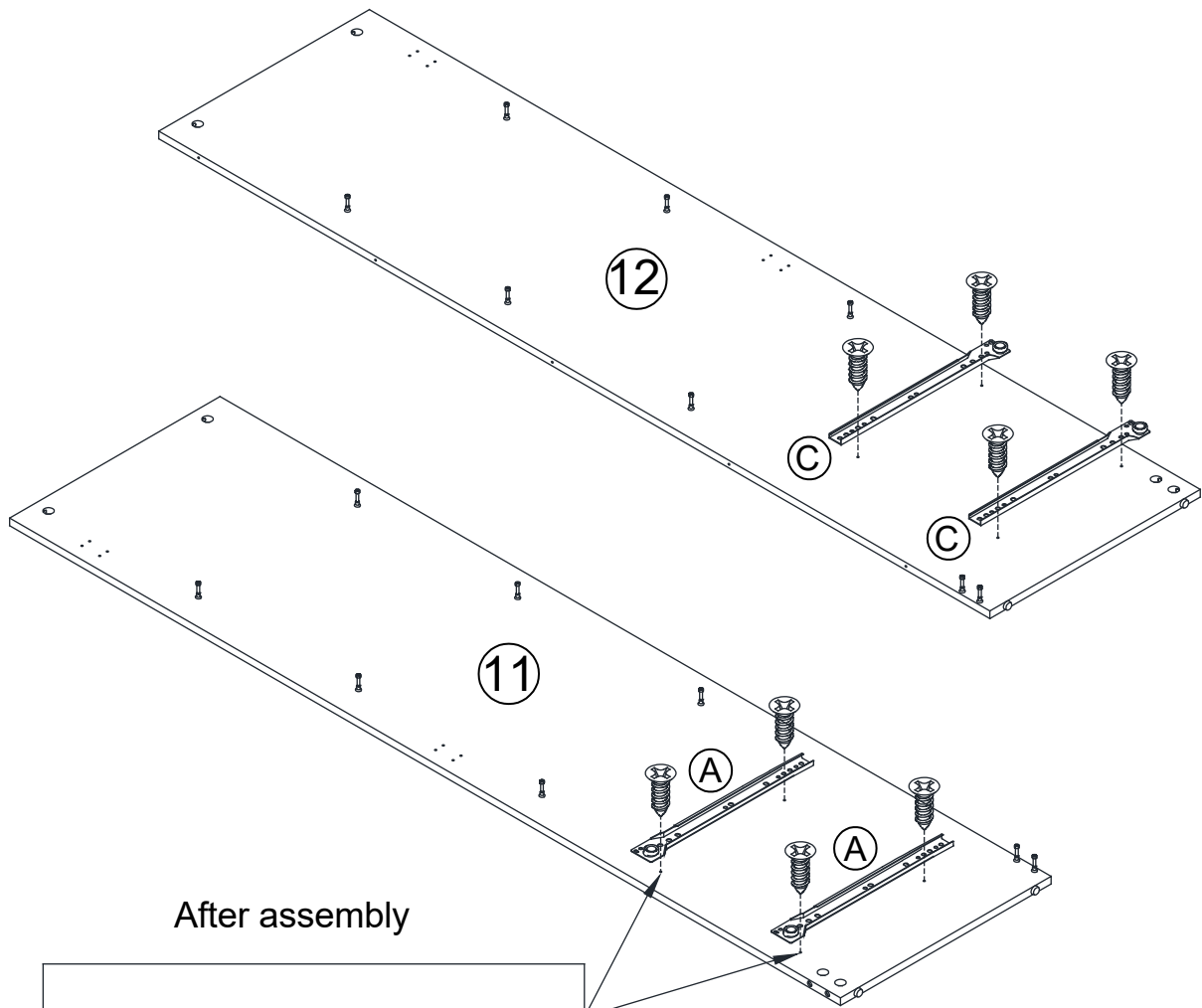
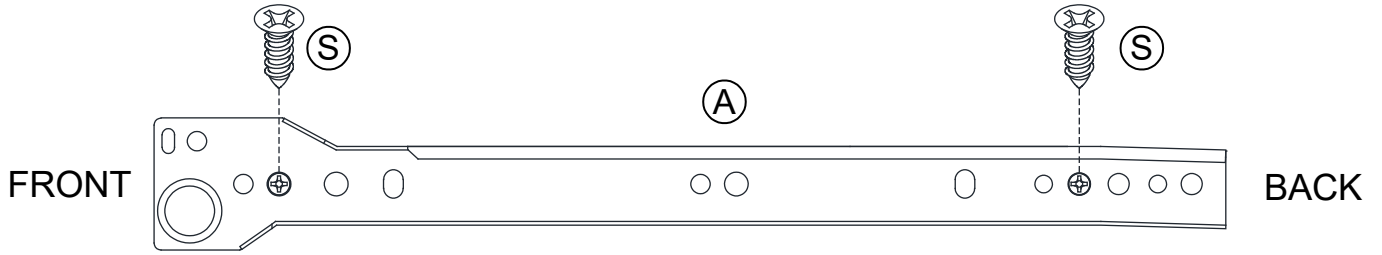
(S) x 8pcs



(A) x 2pcs

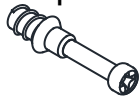


(C) x 2pcs

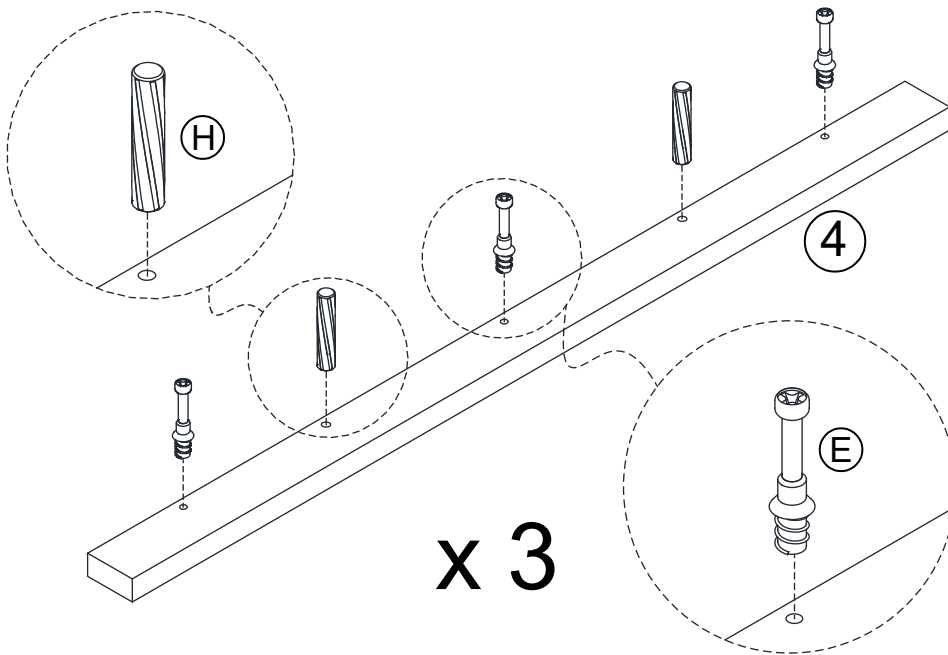


3

(E) x 9pcs

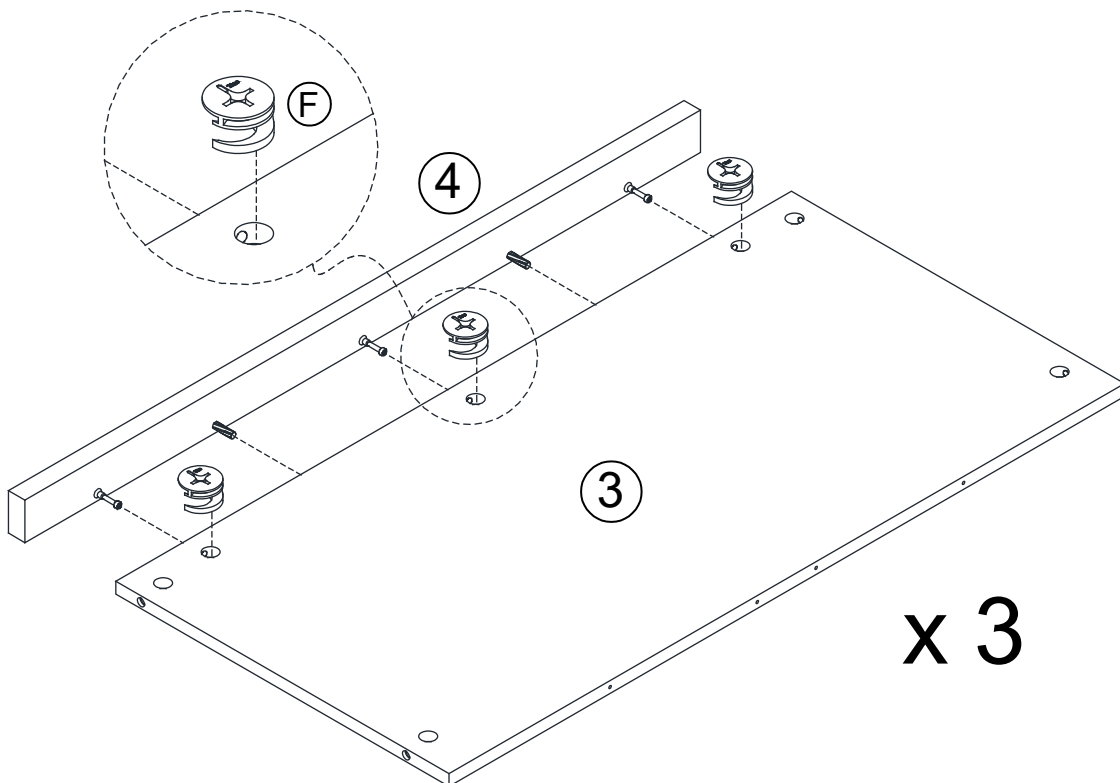
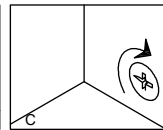
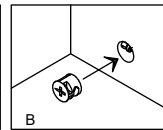
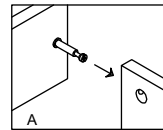


(H) x 6pcs



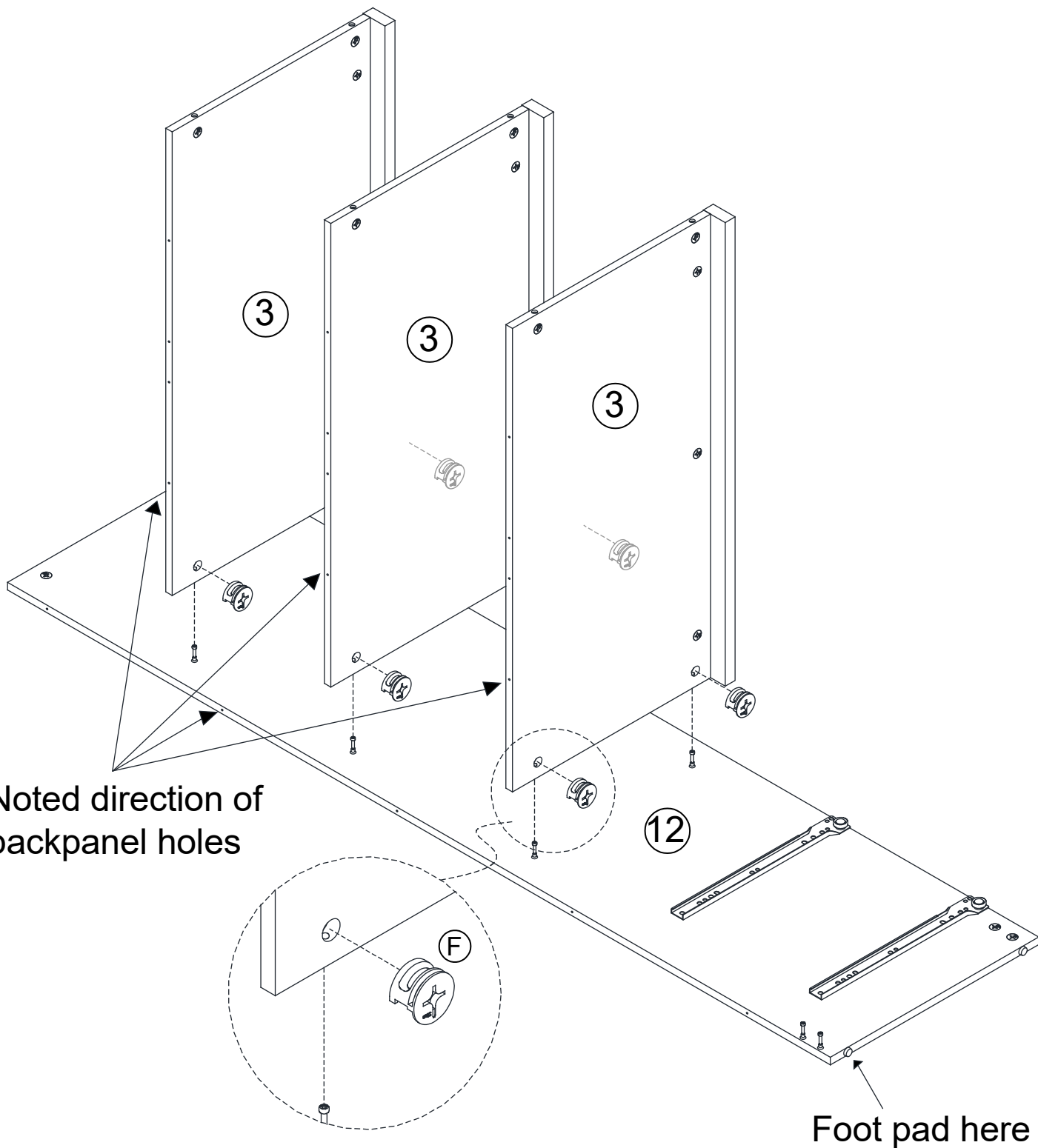
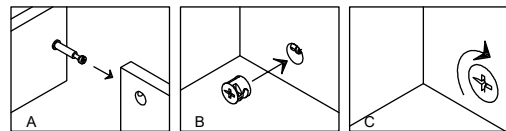
4

(F) x 9pcs



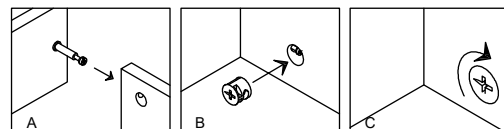
5

(F) x 6pcs

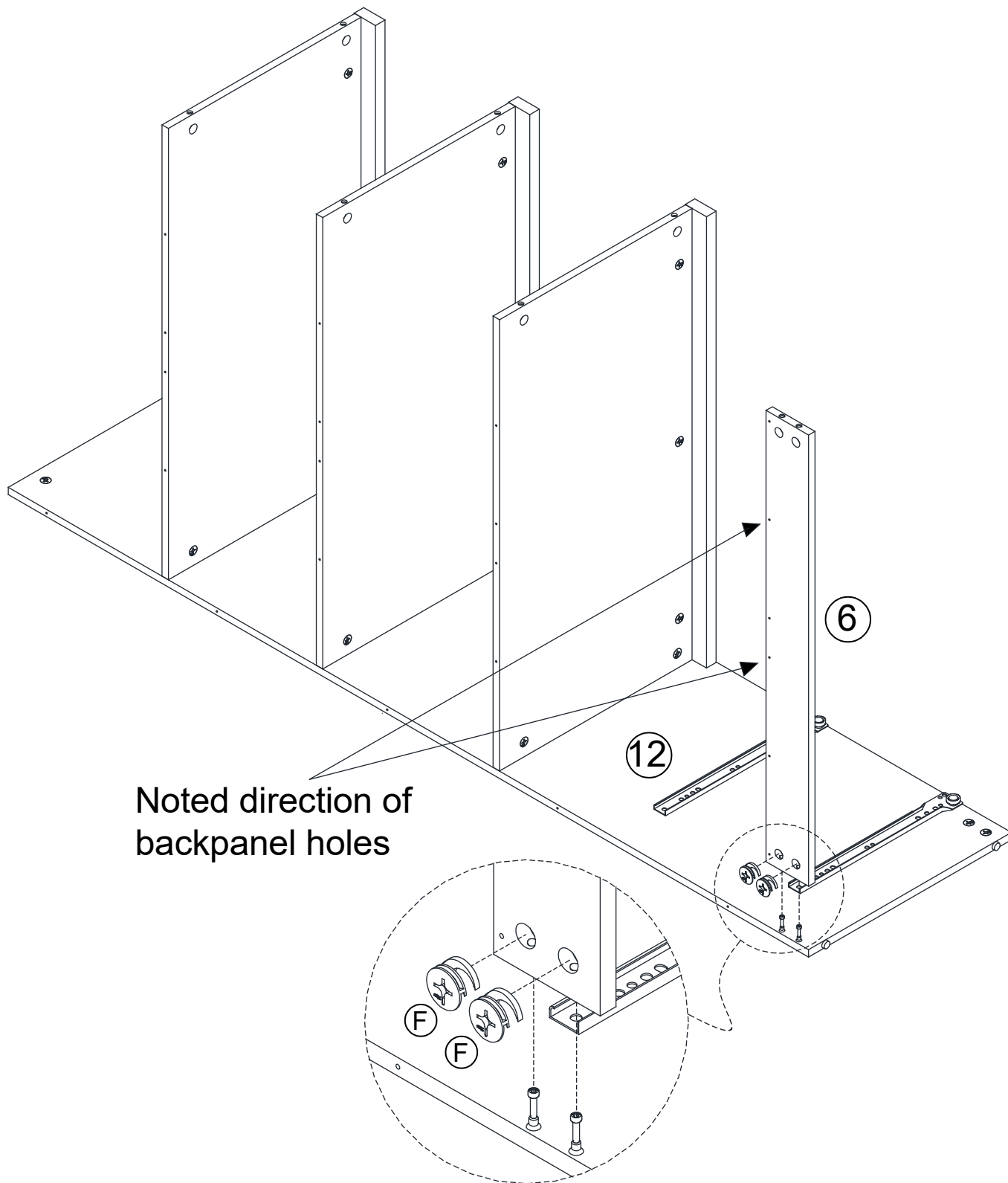


6

(F) x 2pcs



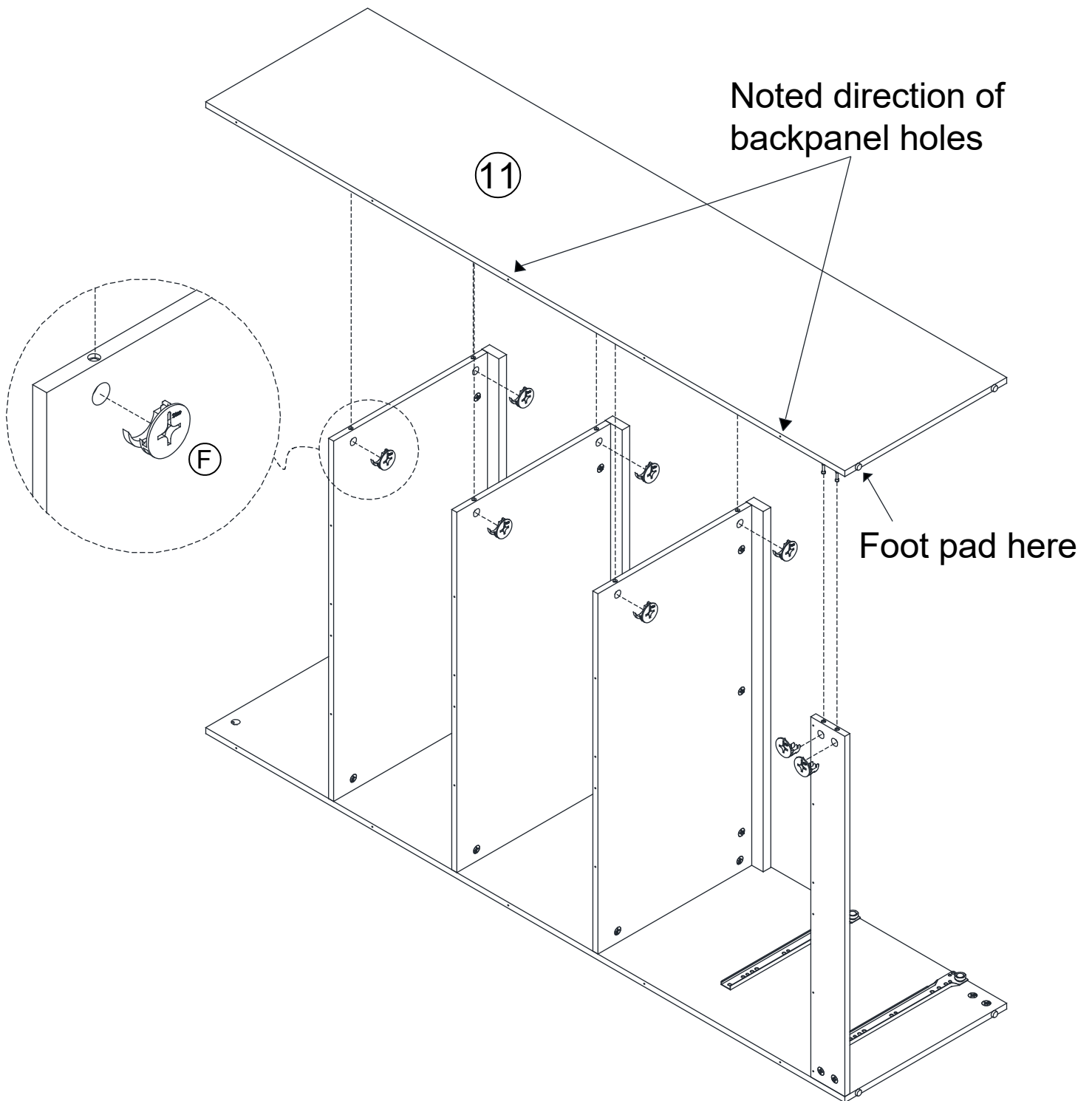
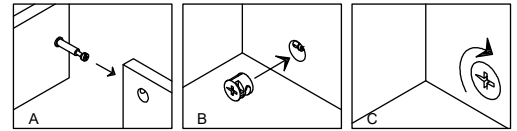
Team work here, please hold the parts and keep them don't tip over.



Noted direction of backpanel holes

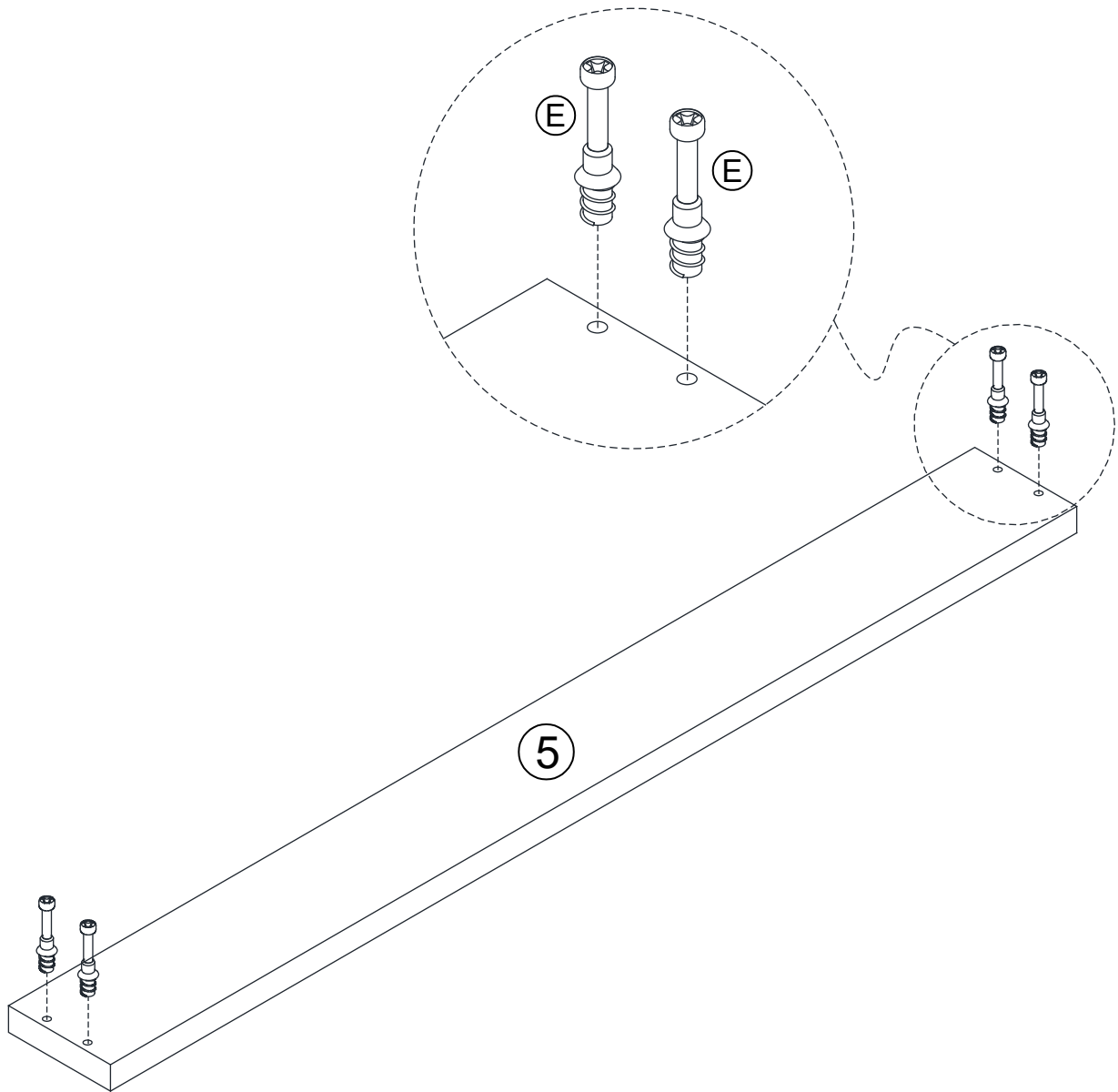
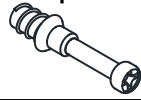
7

(F) x 8pcs



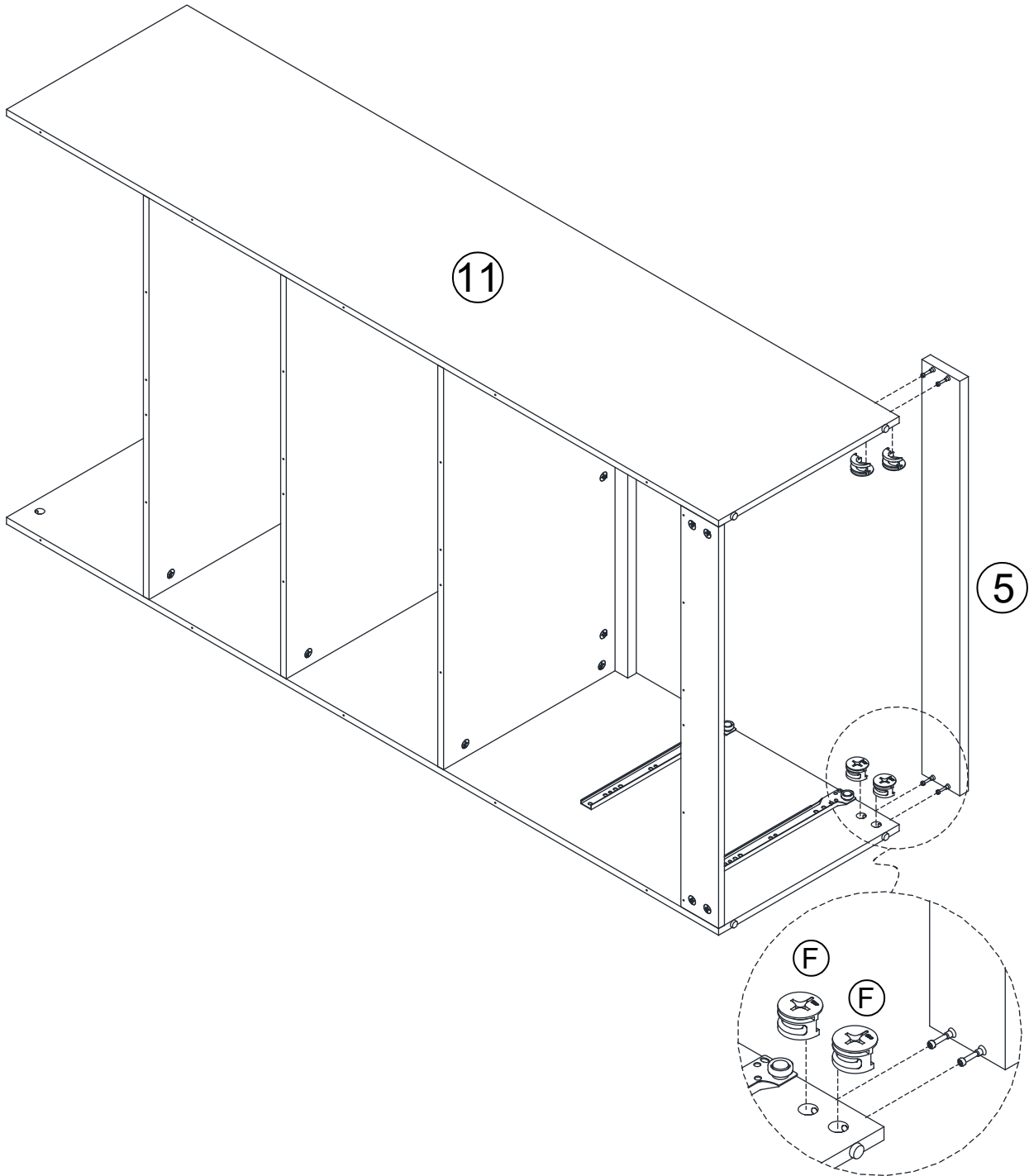
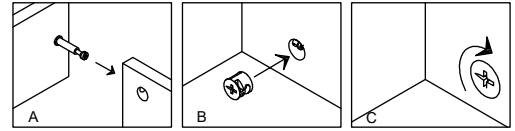
8

(E) x 4pcs



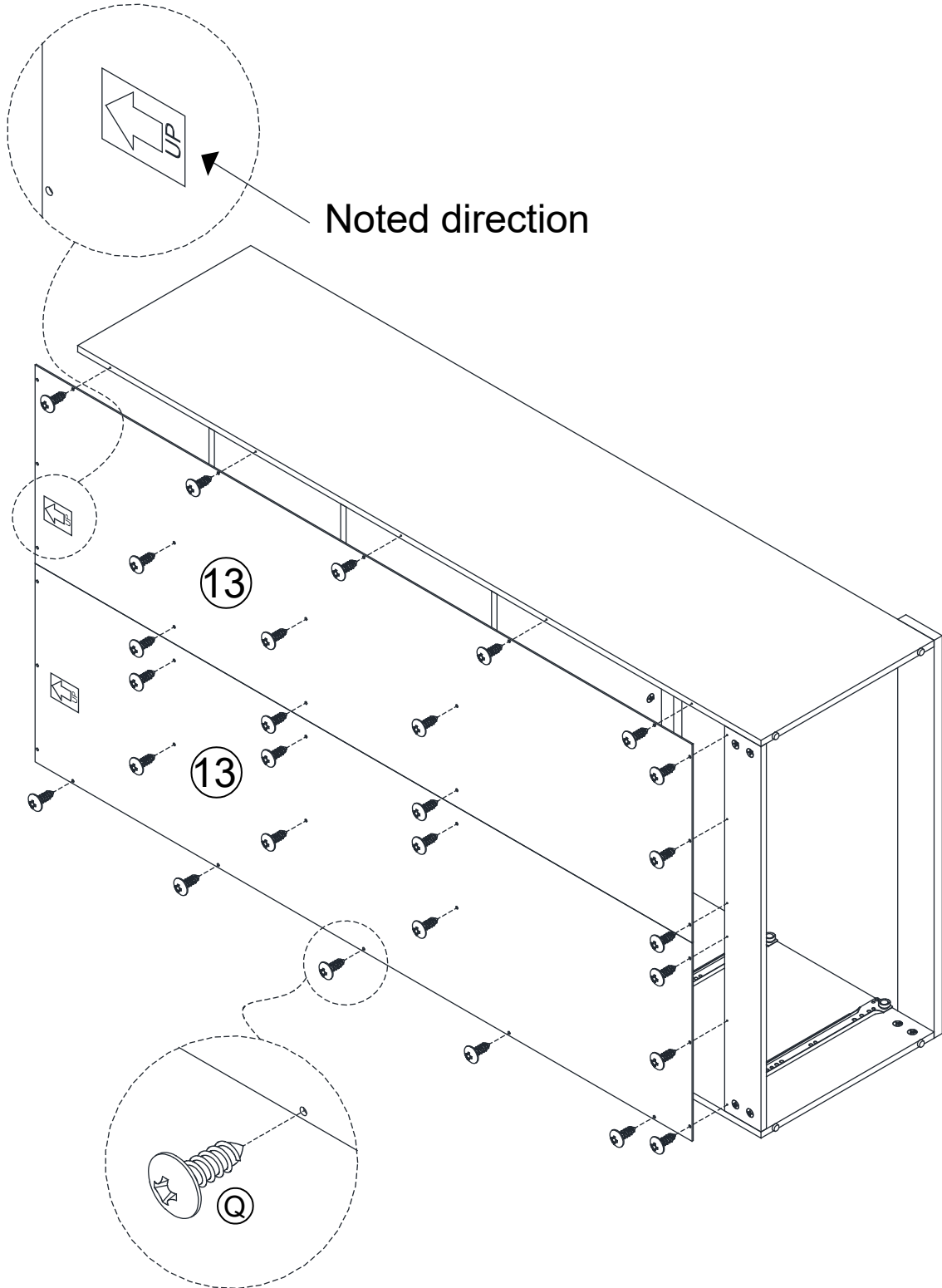
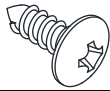
9

(F) x 4pcs



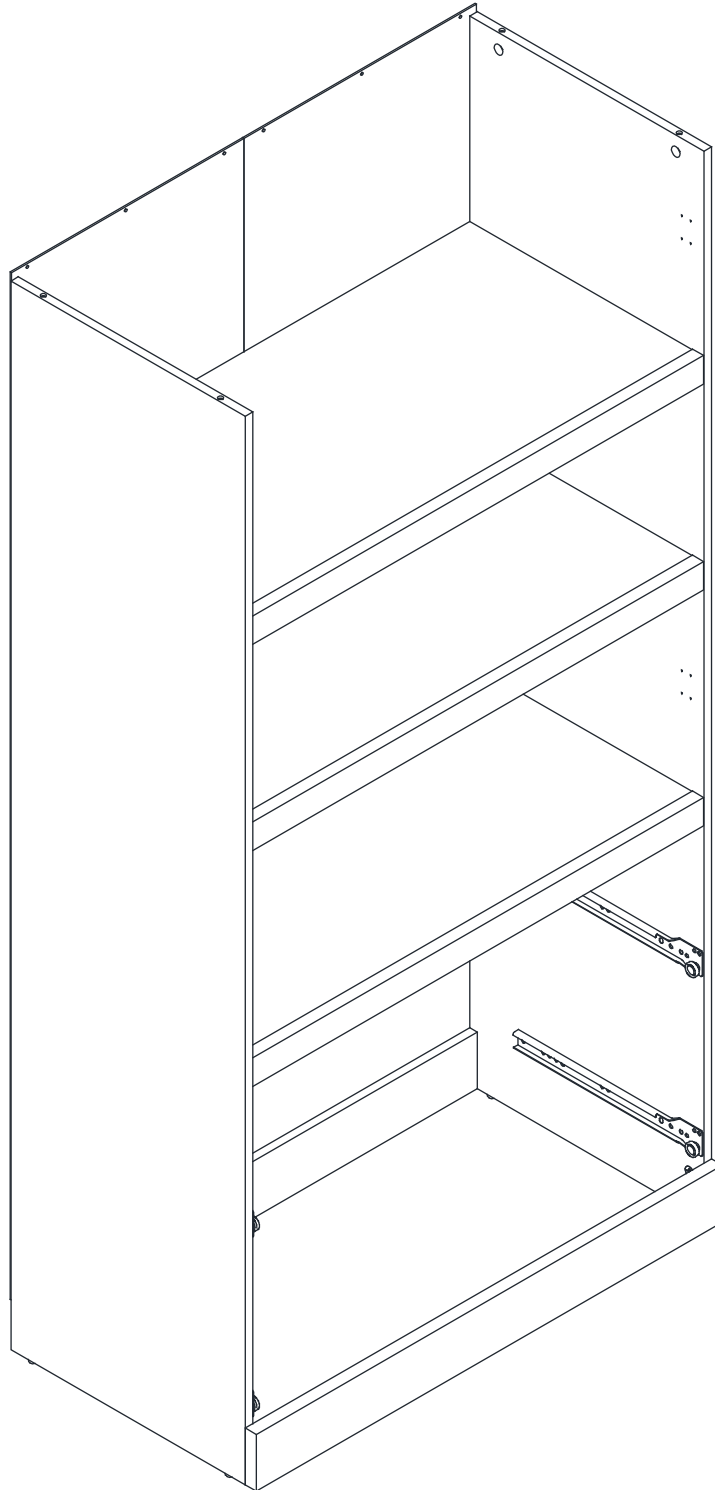
10

Q x 28pcs



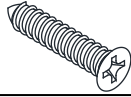
11

Please be careful to stand up the product.

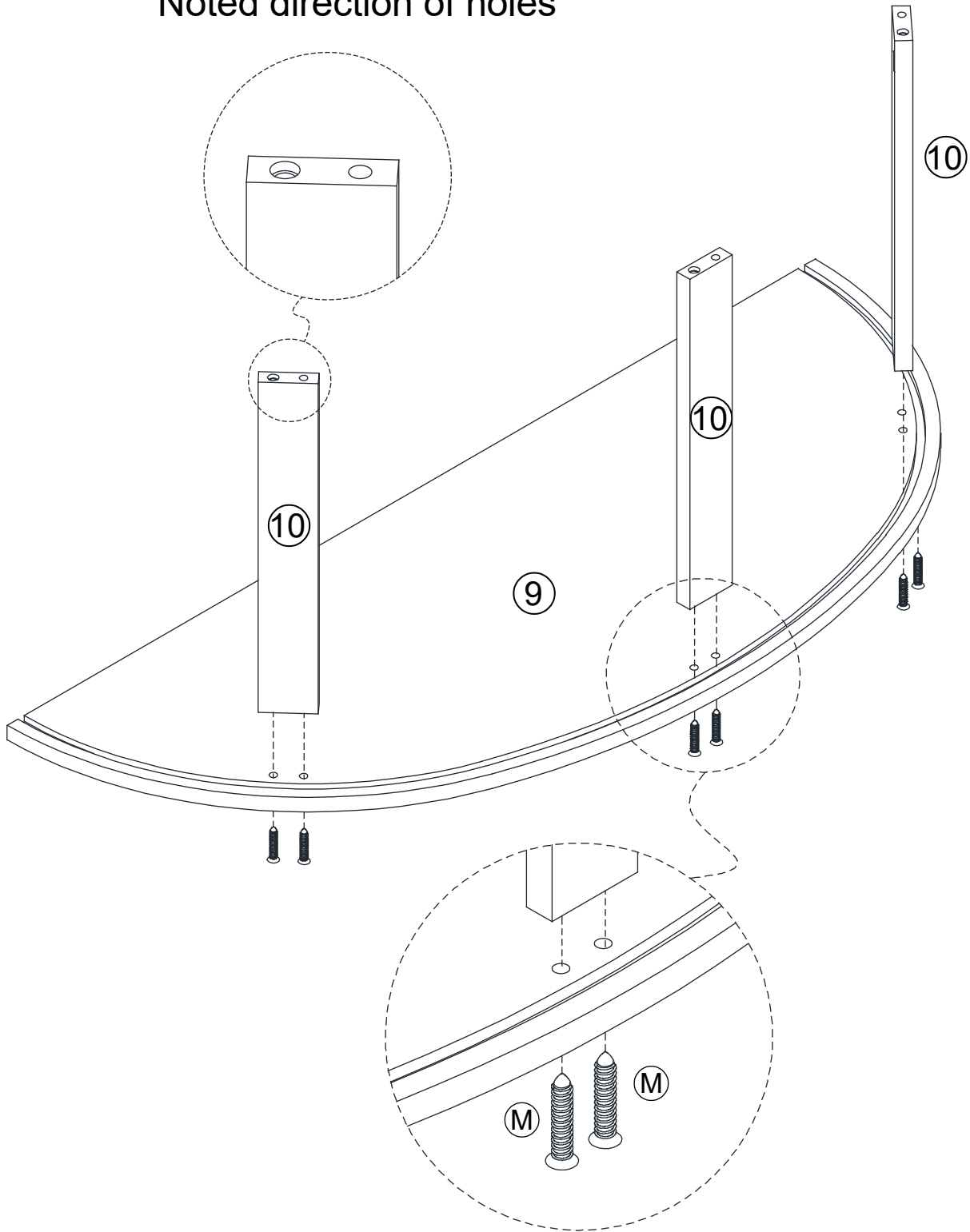


12

Ⓜ x 6pcs

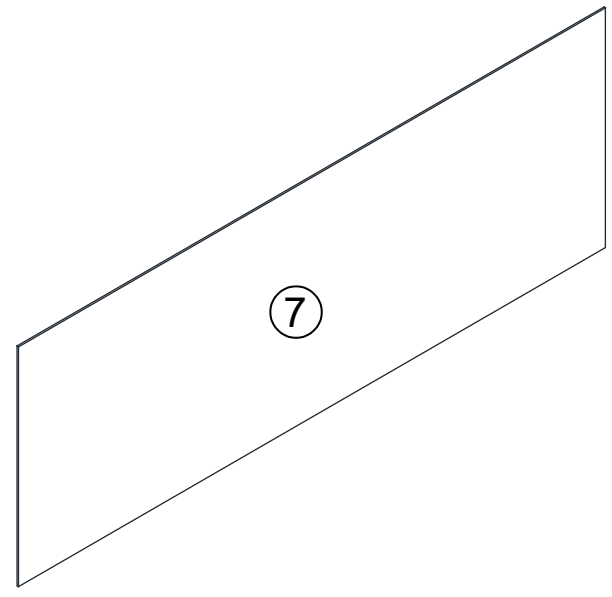


Noted direction of holes

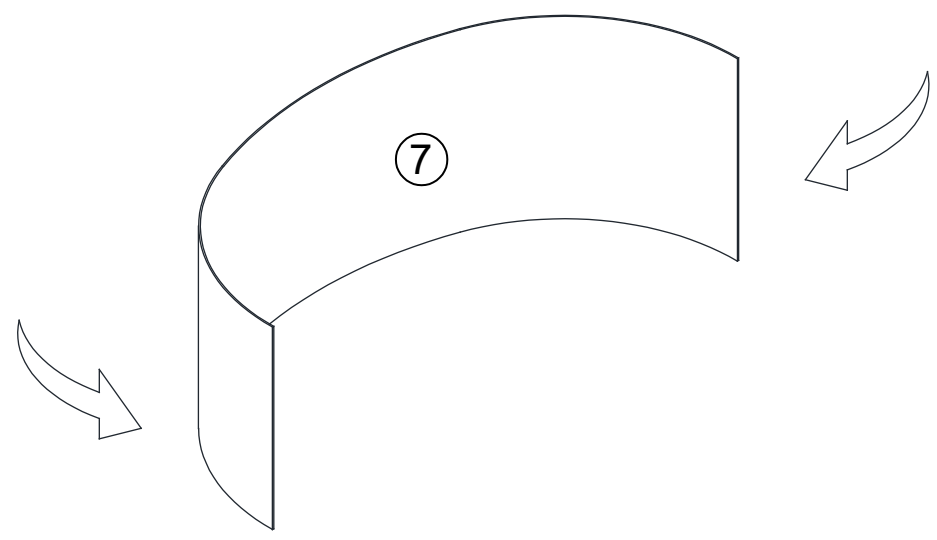


13 Kind reminder: the thin board #7 which is easy to broke, Please careful to bend it, thanks!

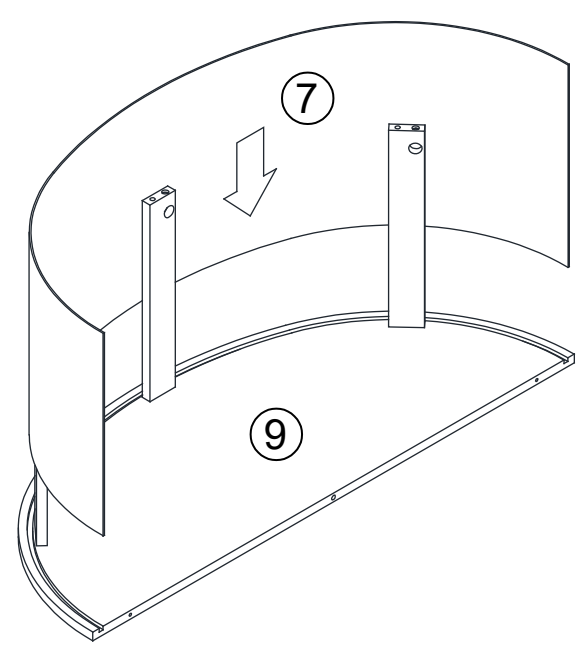
1



2

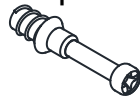


3

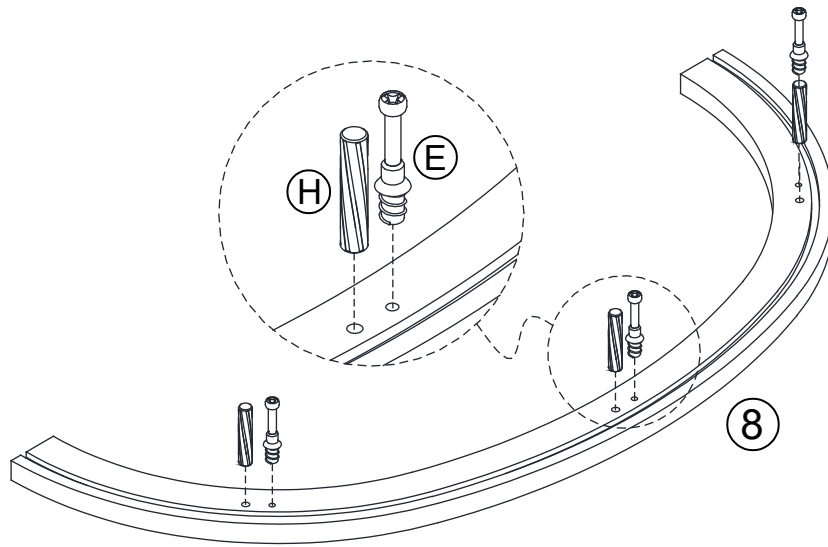


14

(E) x 3pcs

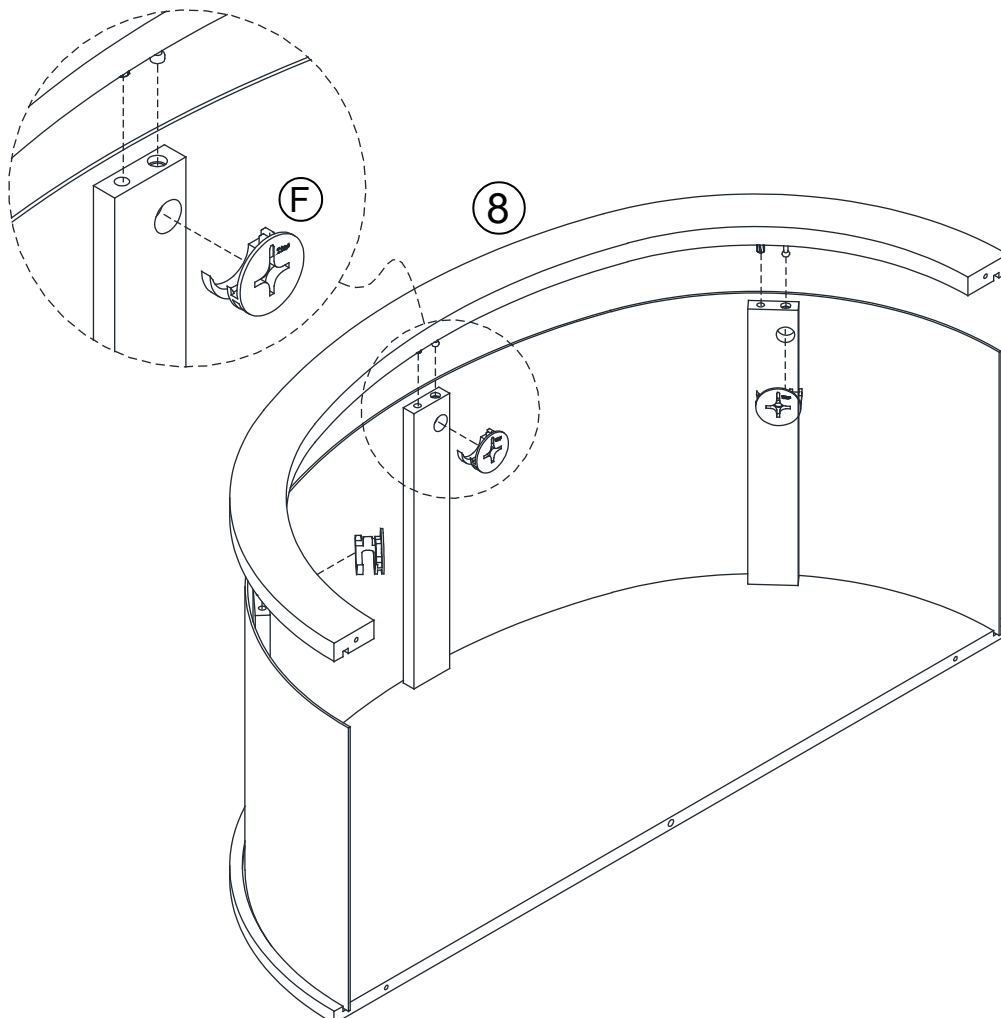
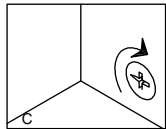
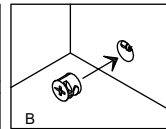
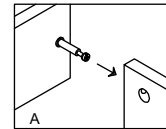


(H) x 3pcs



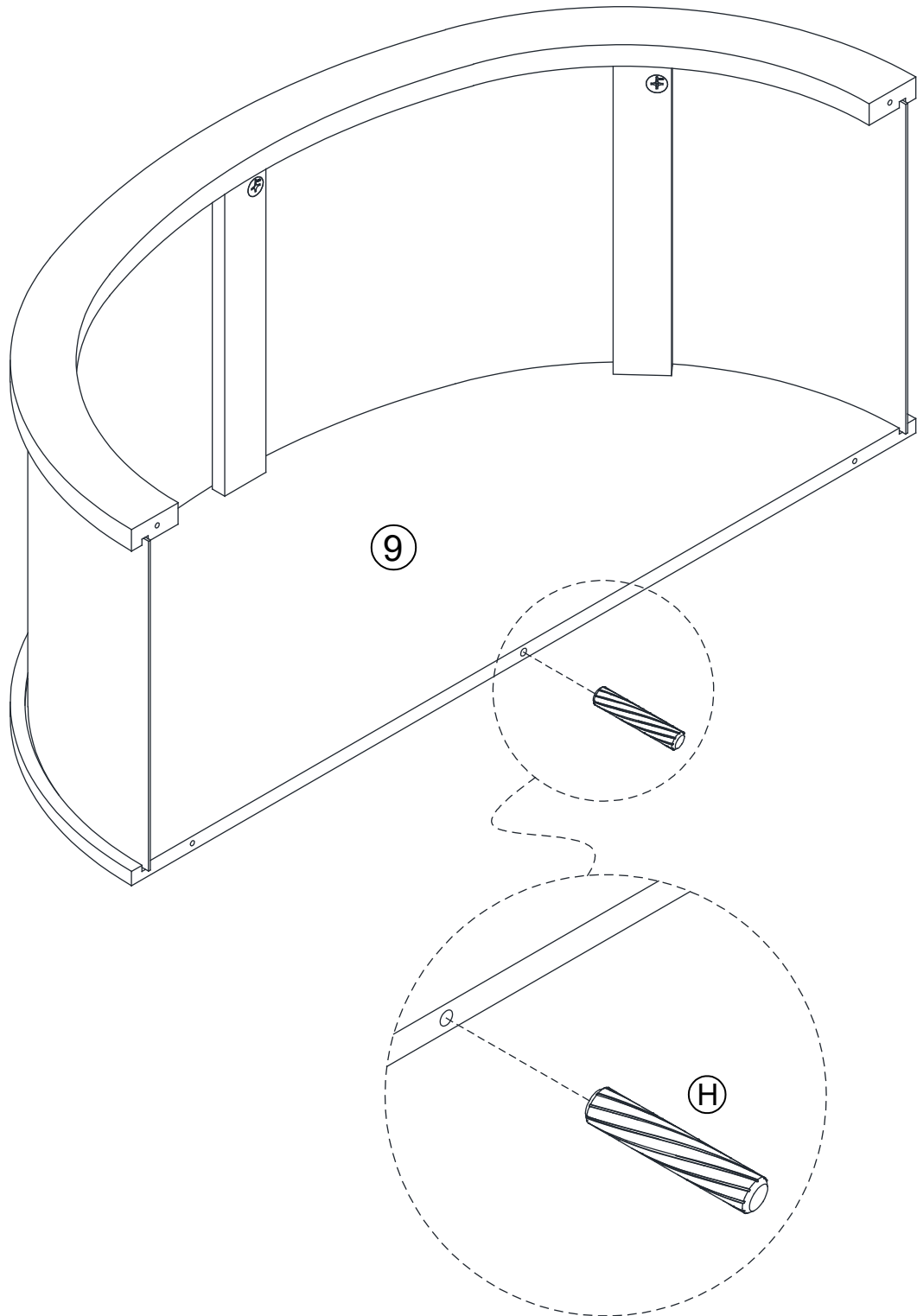
15

(F) x 3pcs



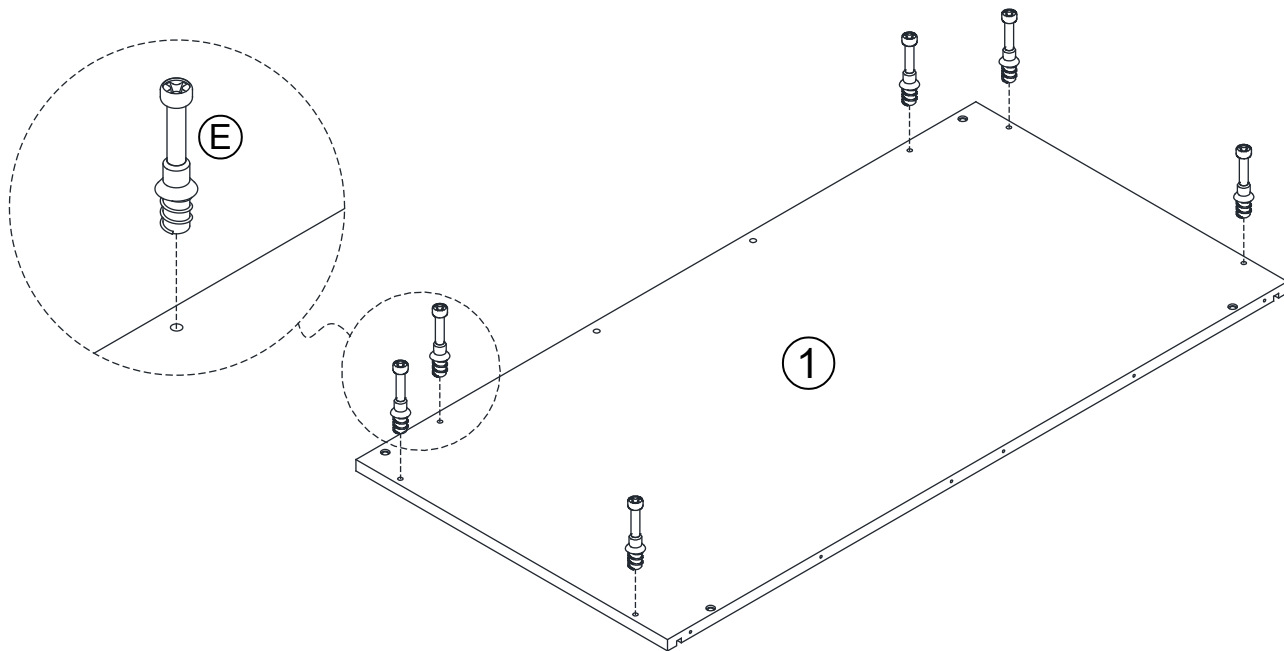
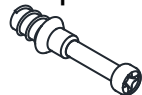
16

(H) x 1pc



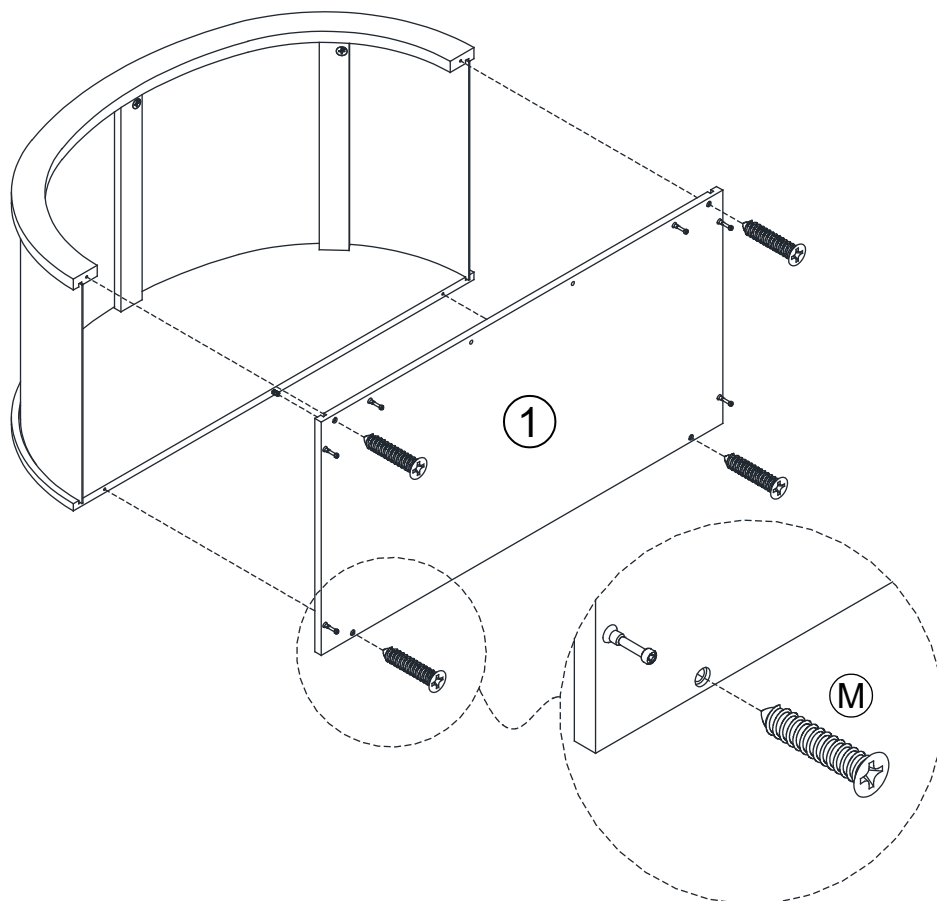
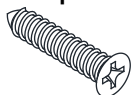
17

(E) x 6pcs



18

(M) x 4pcs

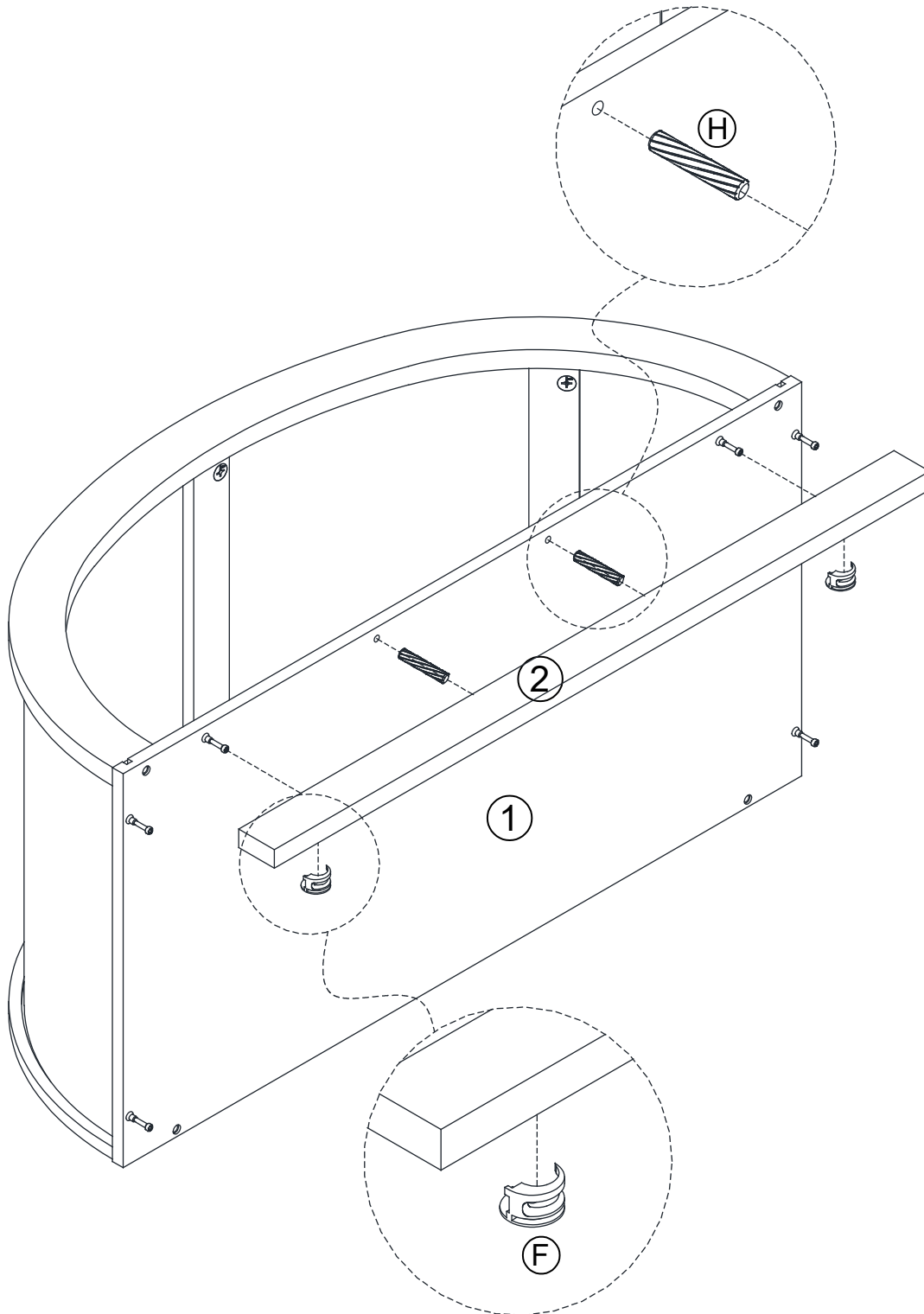
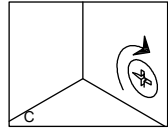
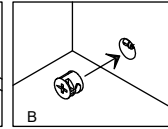
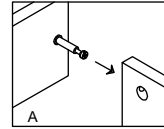


19

ⓕ x 2pcs

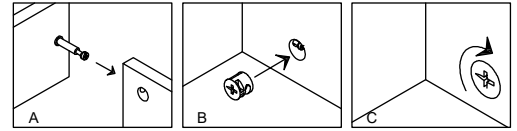


ⓓ x 2pcs

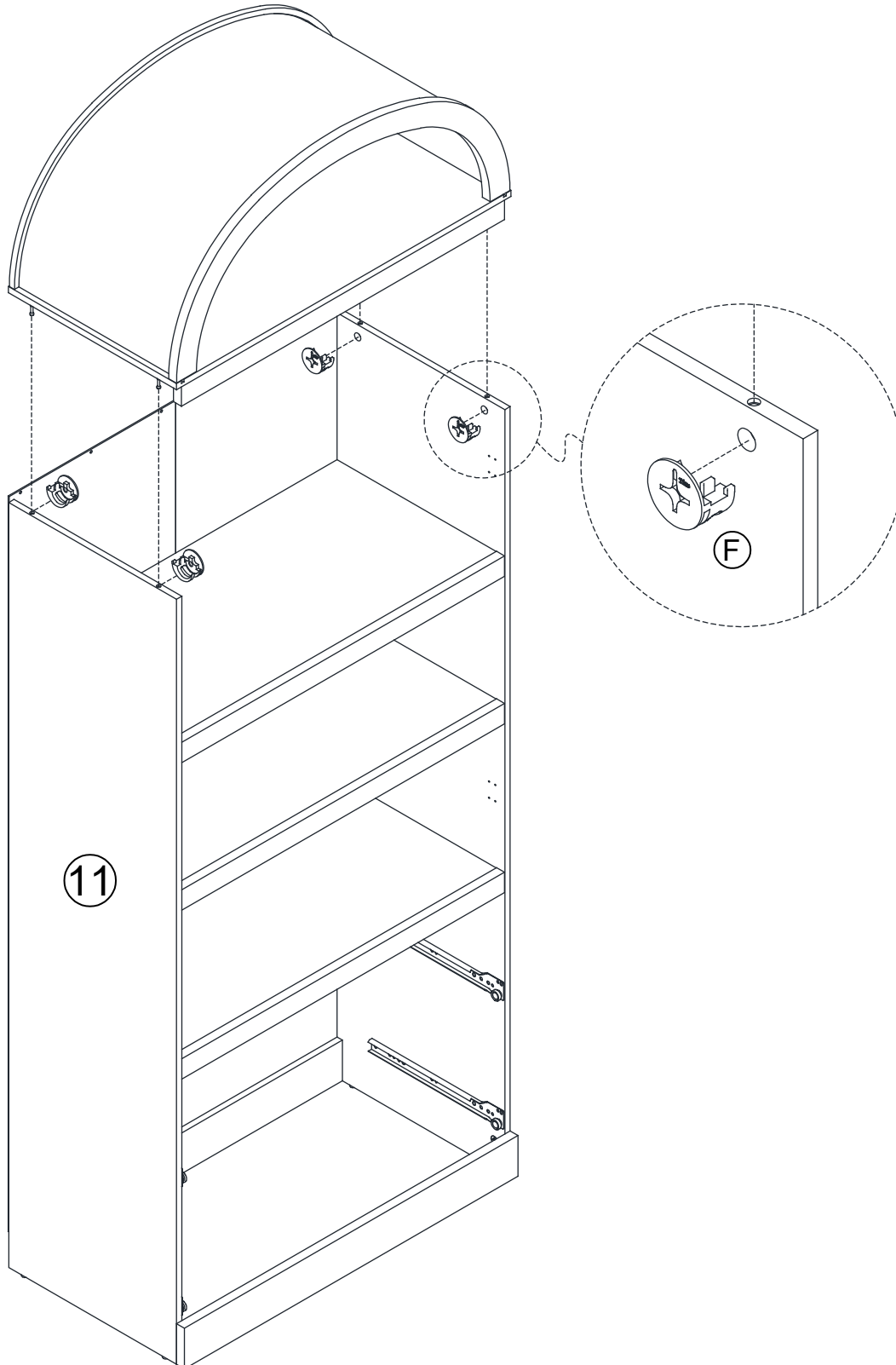


20

(F) x 4pcs

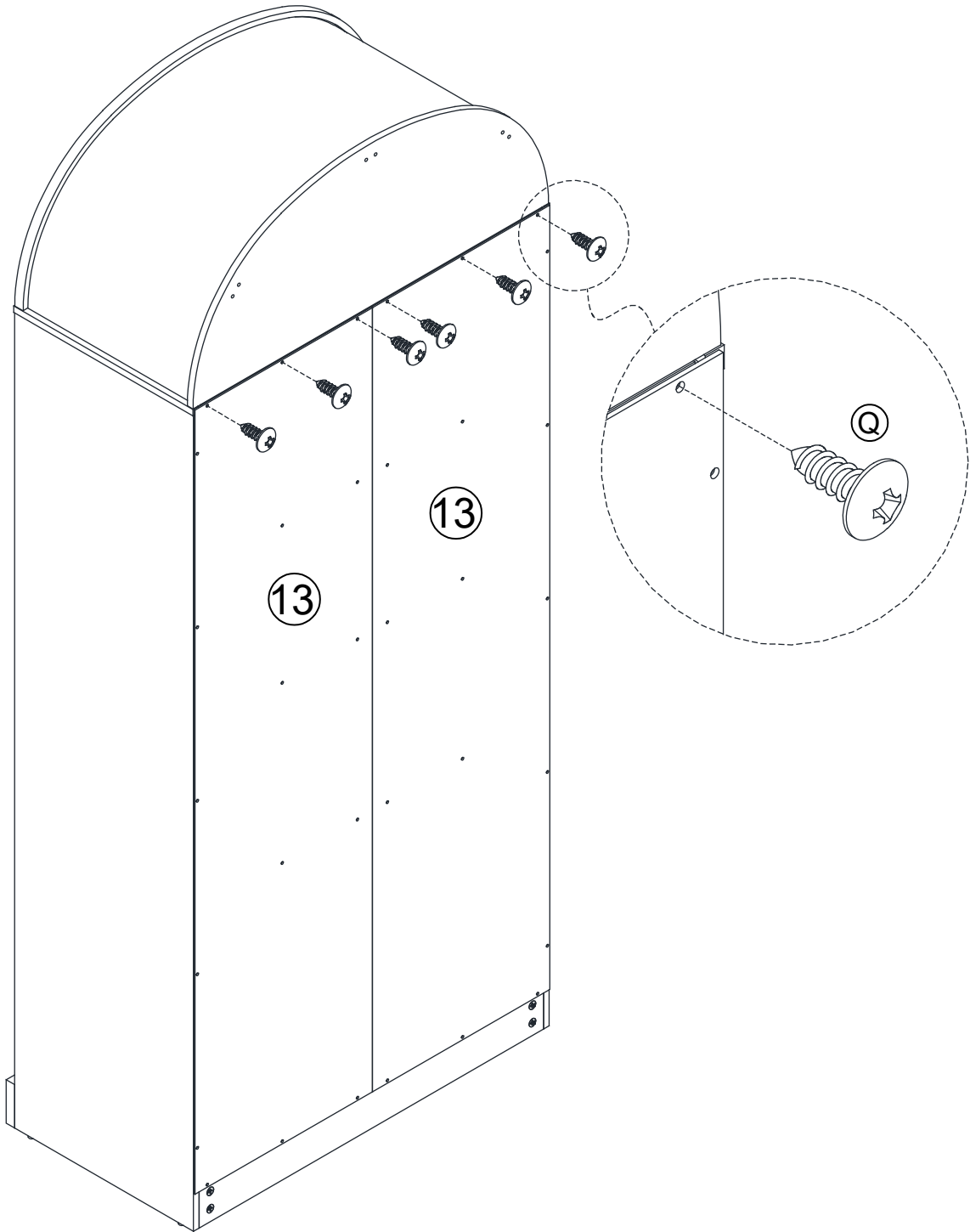
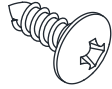


Team work is need here



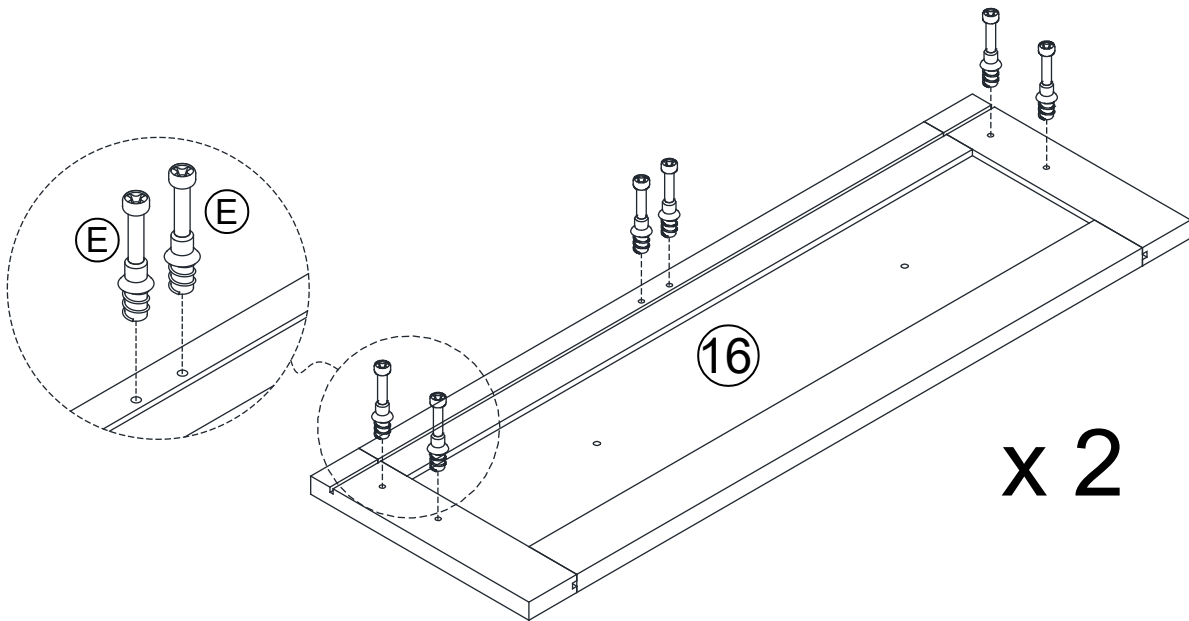
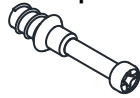
21

Q x 6pcs



22

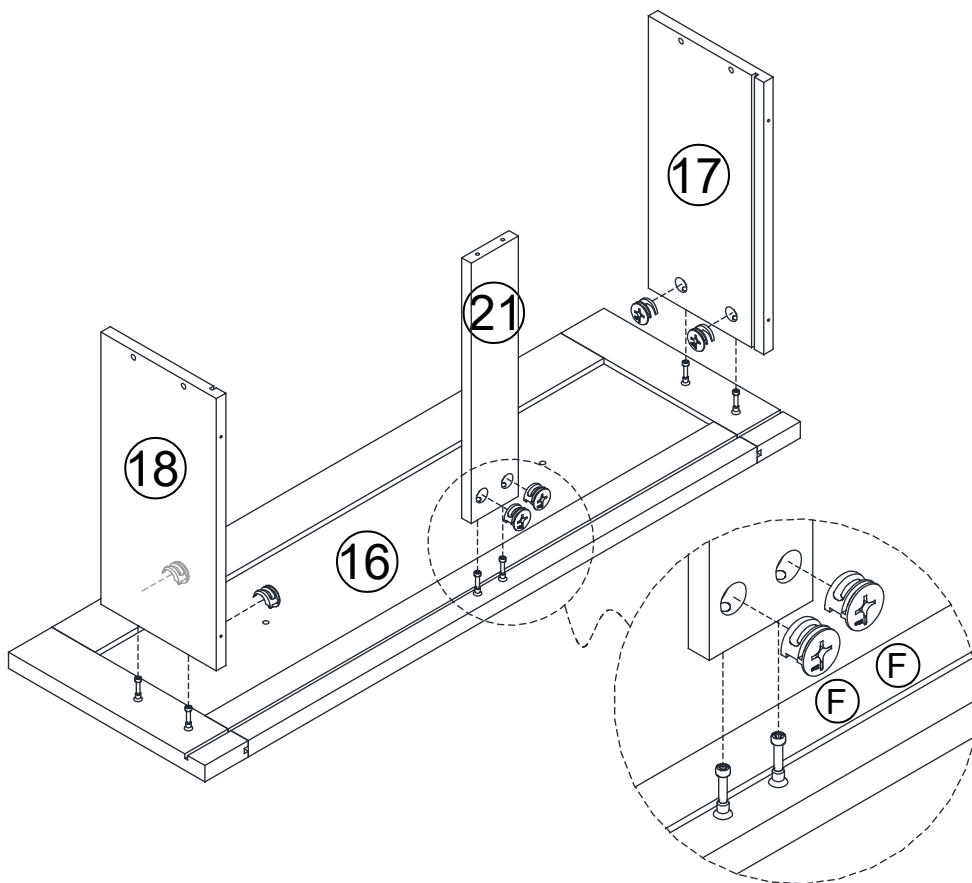
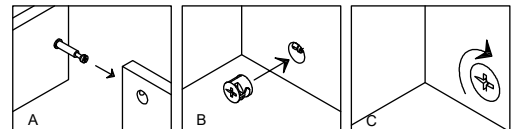
(E) x 12pcs



x 2

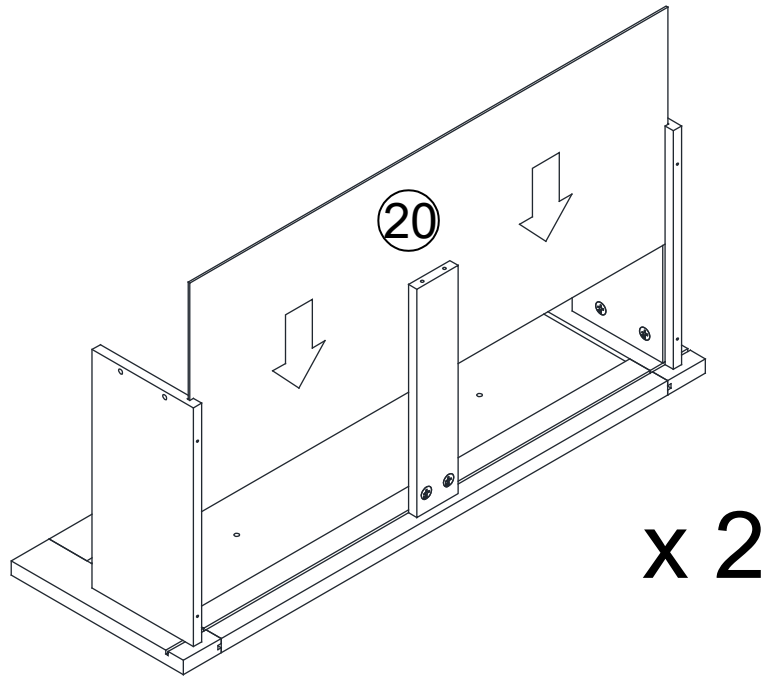
23

(F) x 12pcs



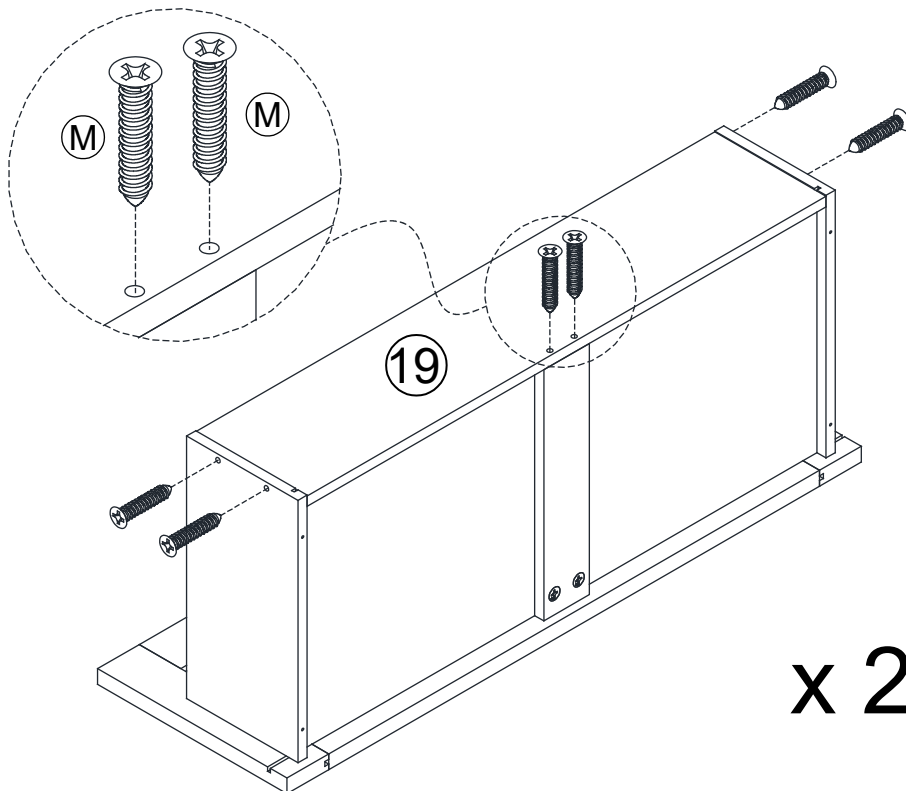
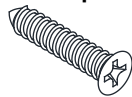
x 2

24



25

(M) x 12pcs



26

Ⓢ x 8pcs



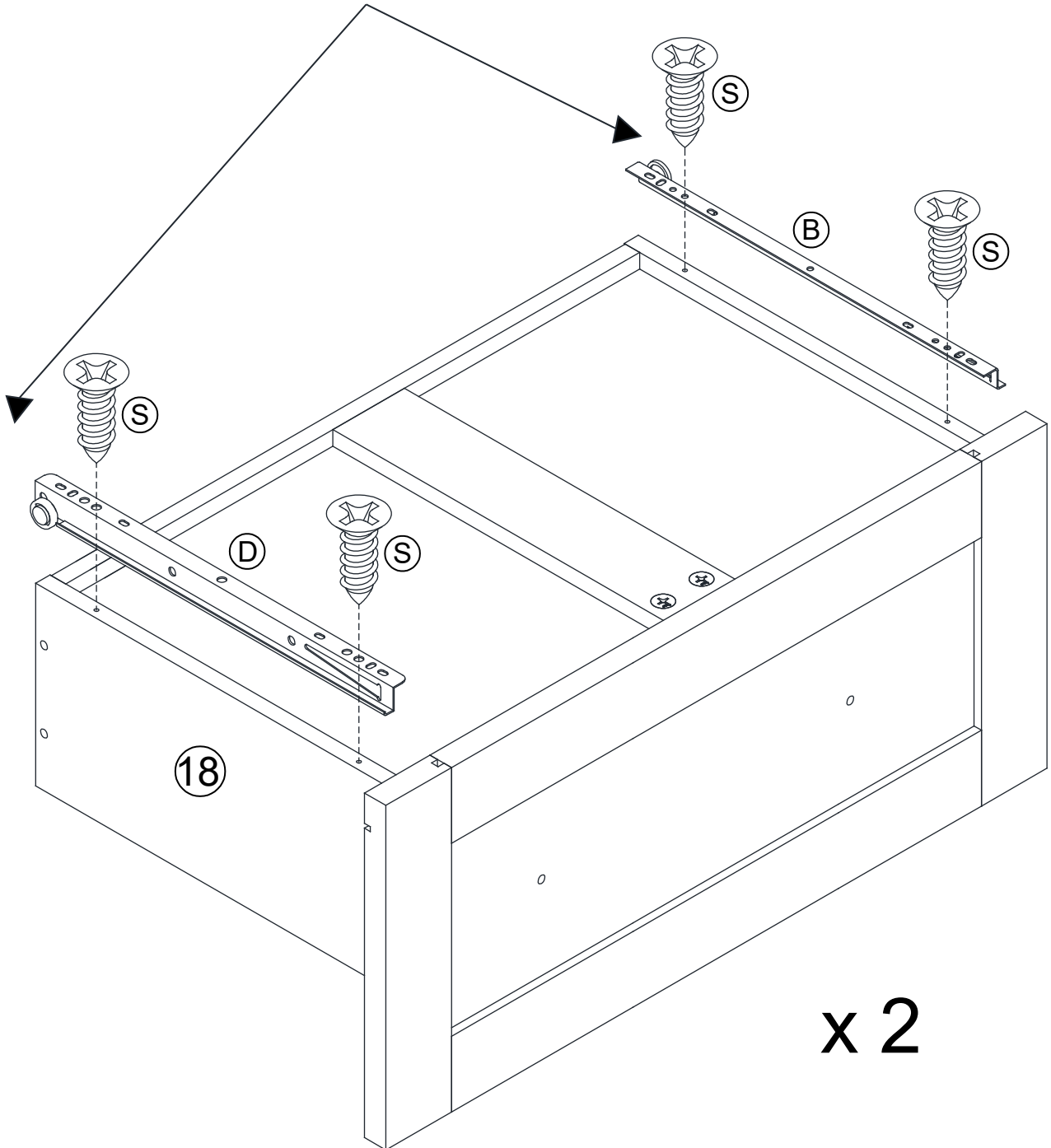
ⓑ x 2pcs



ⓓ x 2pcs



Noted the roller of slide which is nearby the drawer end.

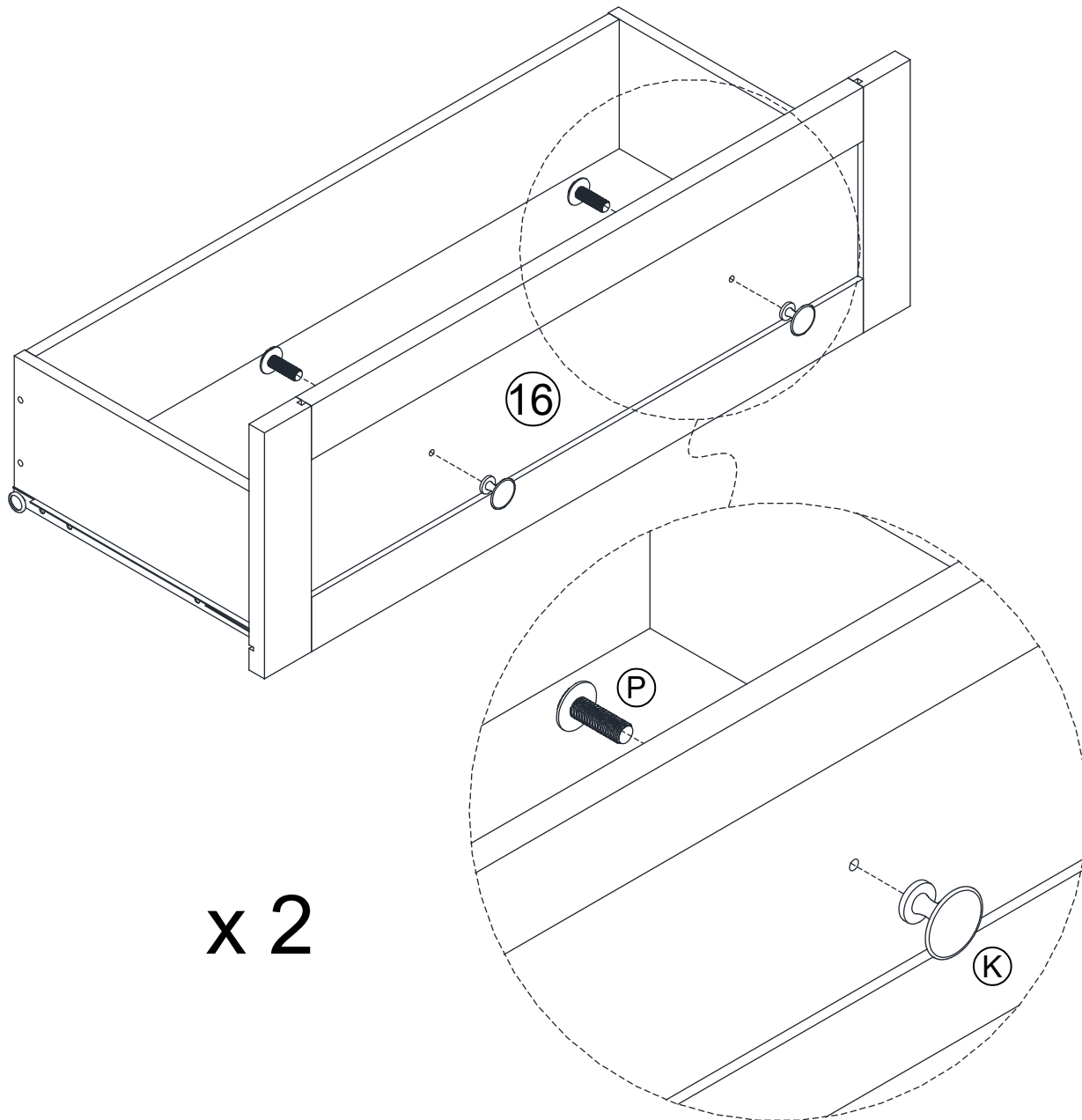


27

Ⓟ x 4pcs

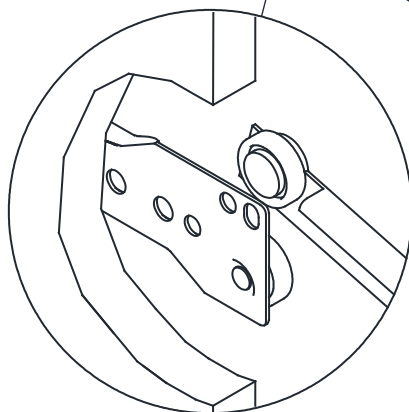
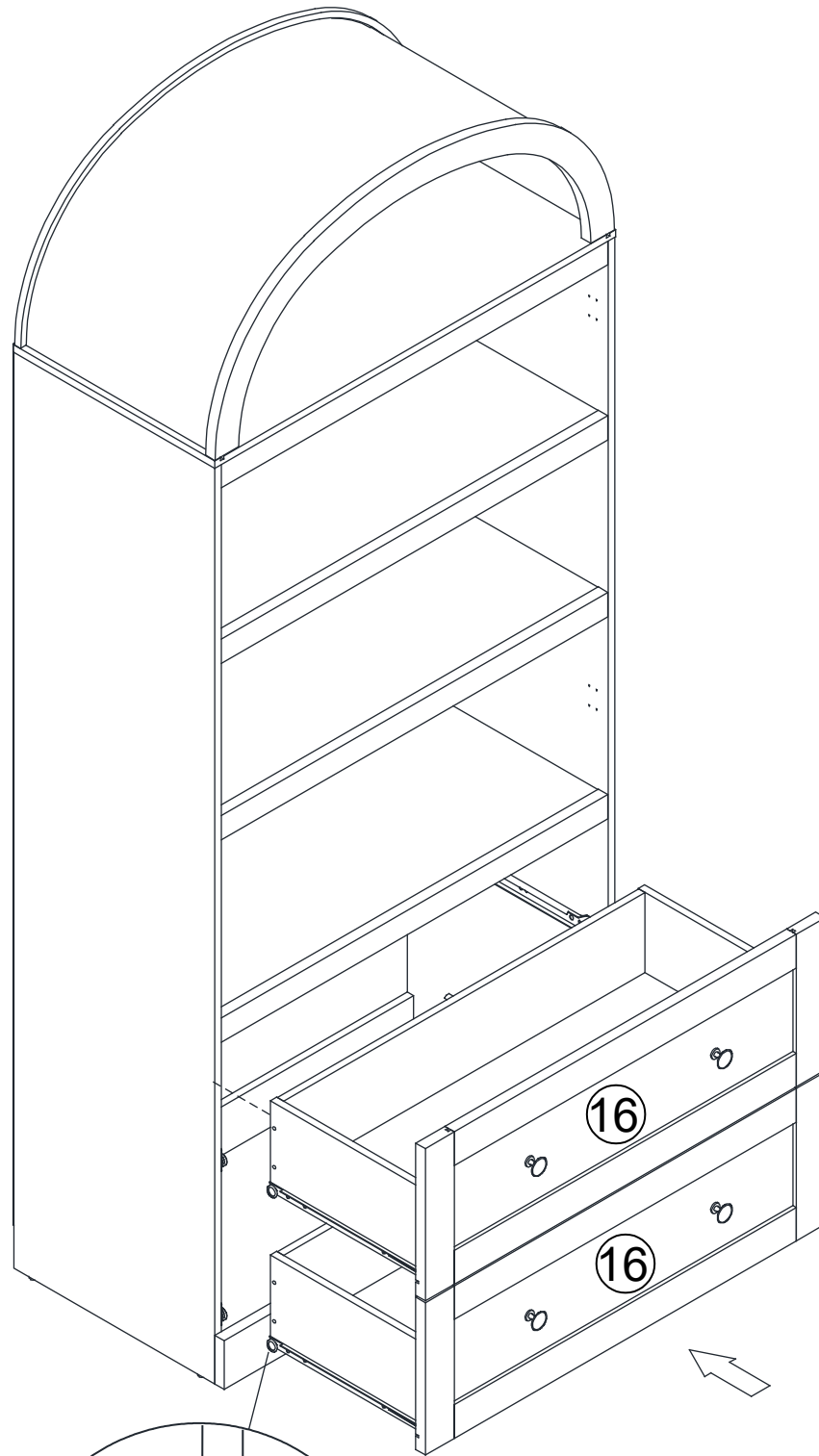


Ⓚ x 4pcs



x 2

28



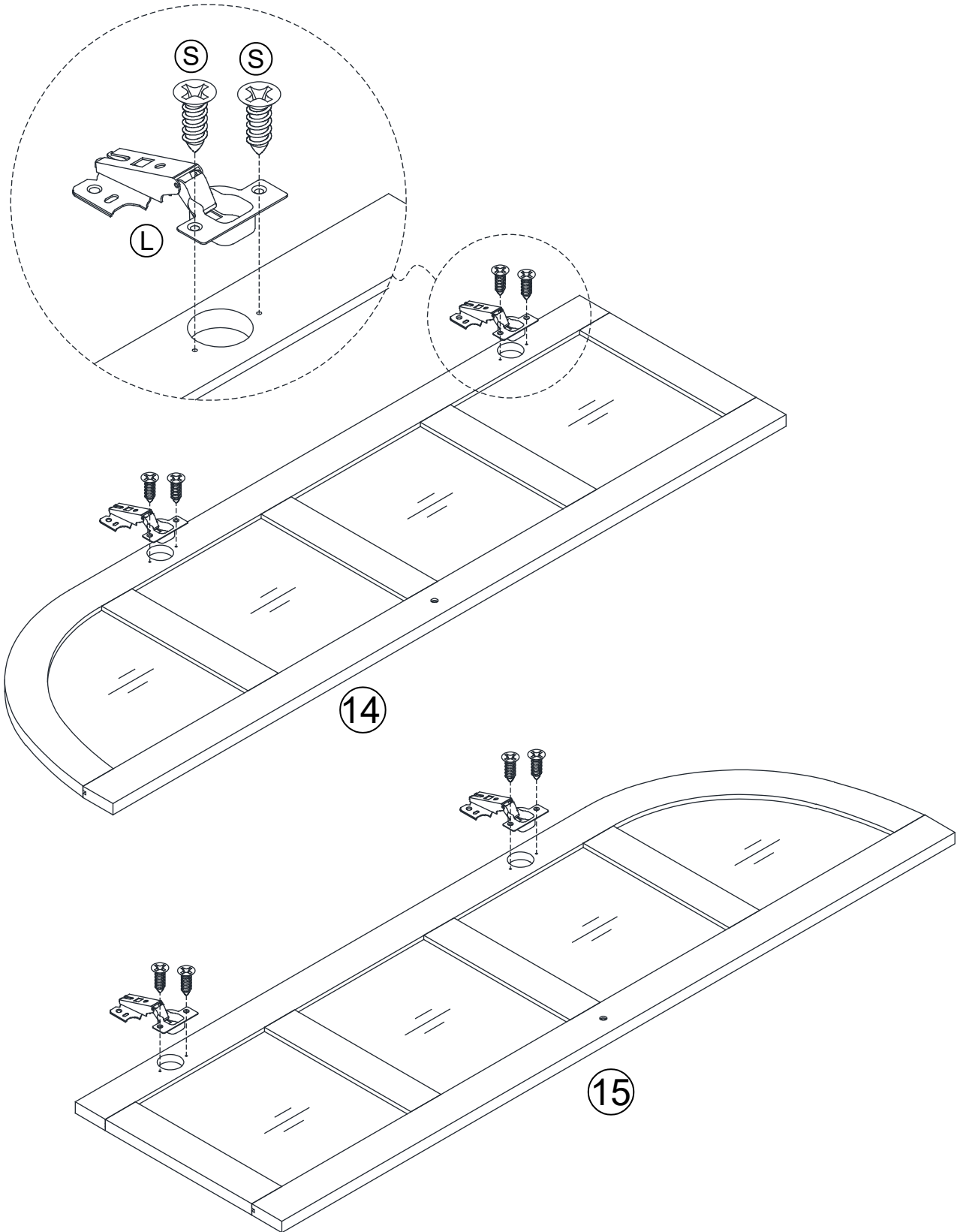
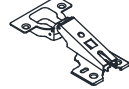
Place the roller on the SLIDE
behind the roller on the RAIL.

29

(S) x 8pcs



(L) x 4pcs

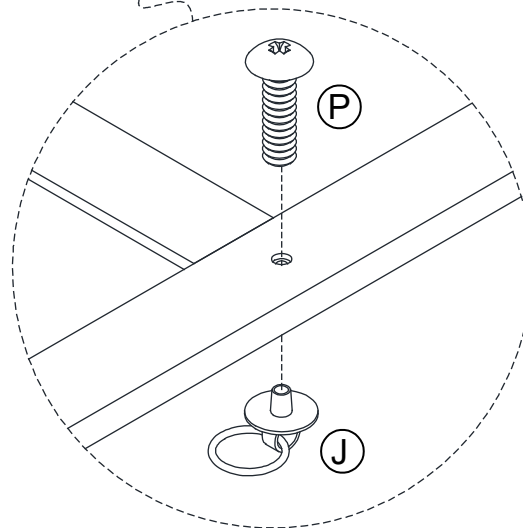
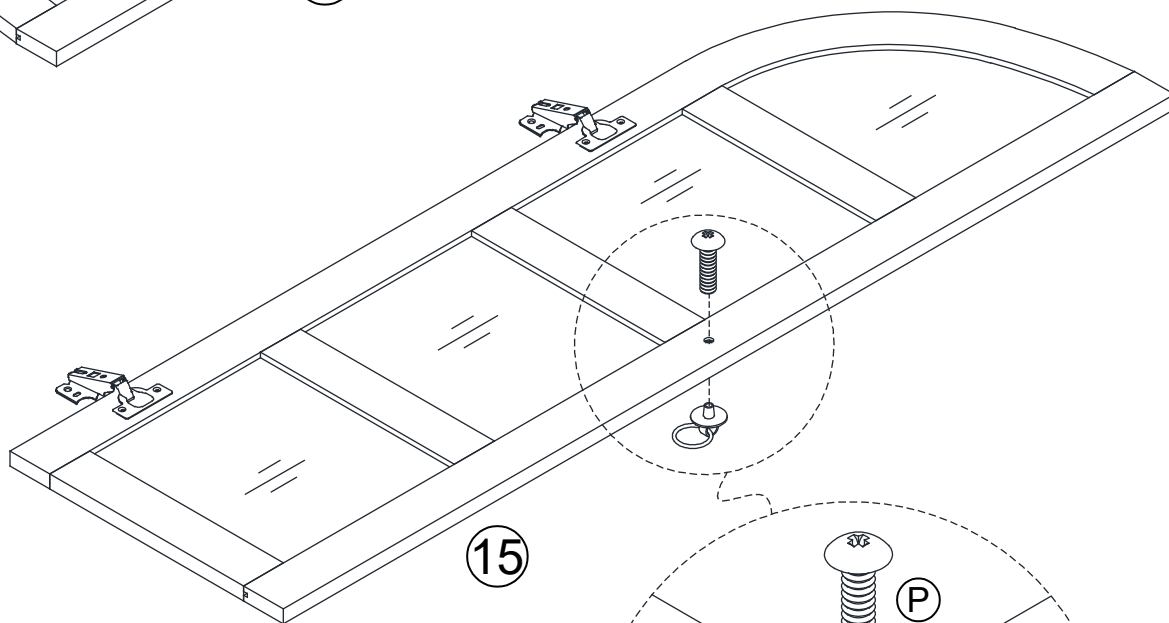
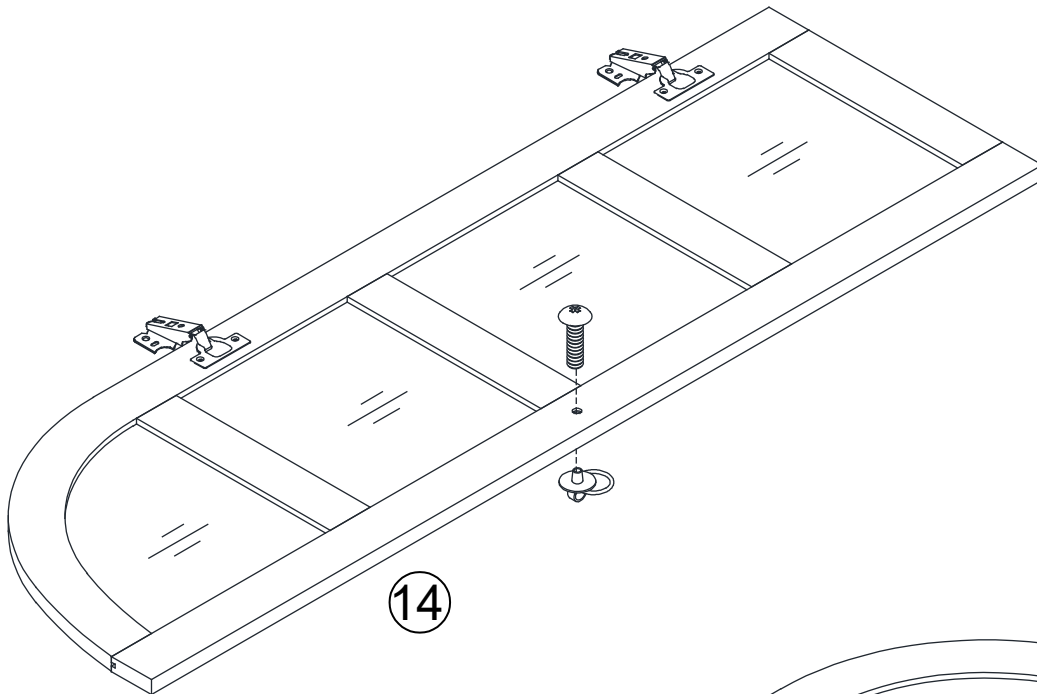


30

Ⓟ x 2pcs

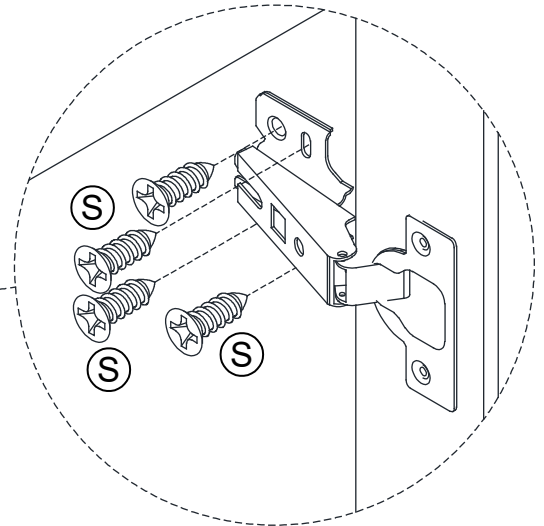
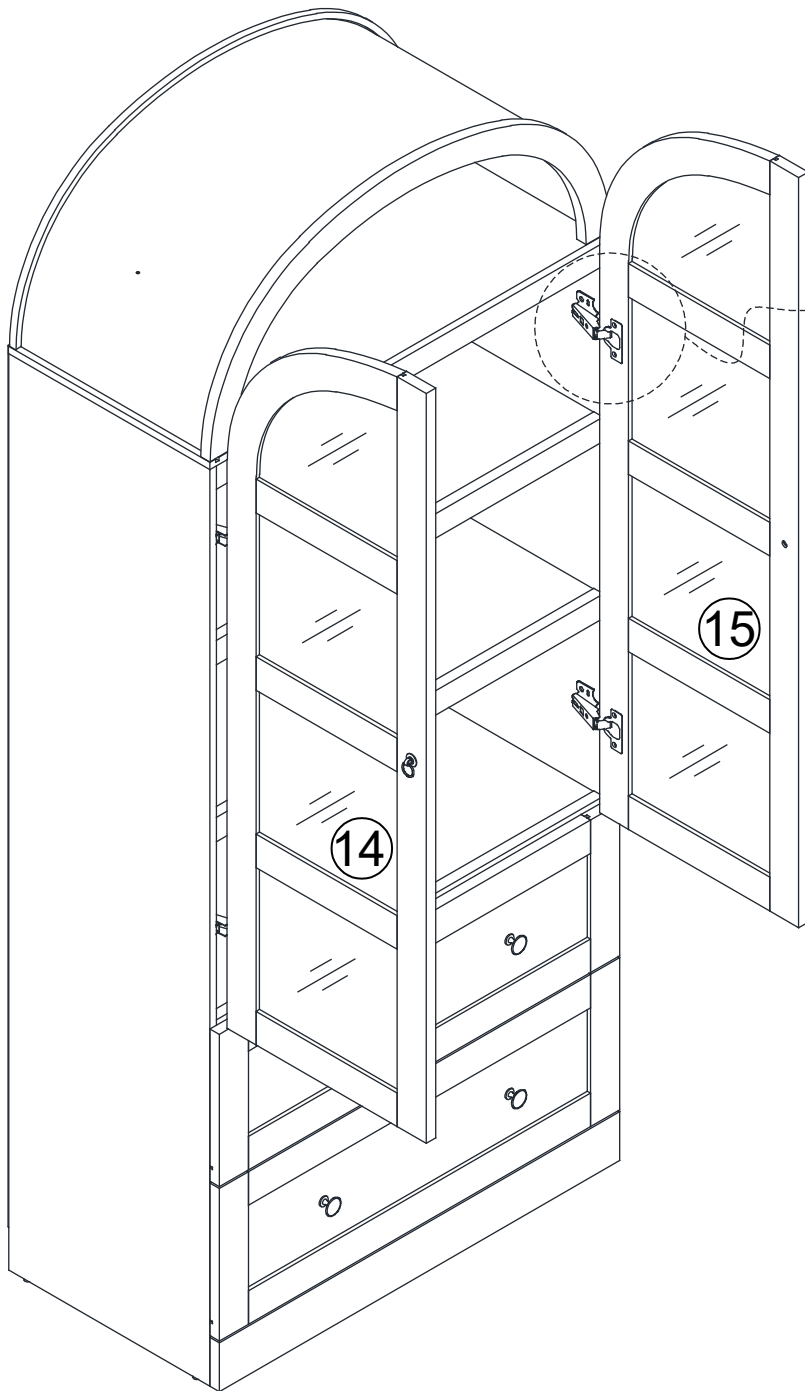


Ⓝ x 2pcs



31

Ⓢ x 16pcs

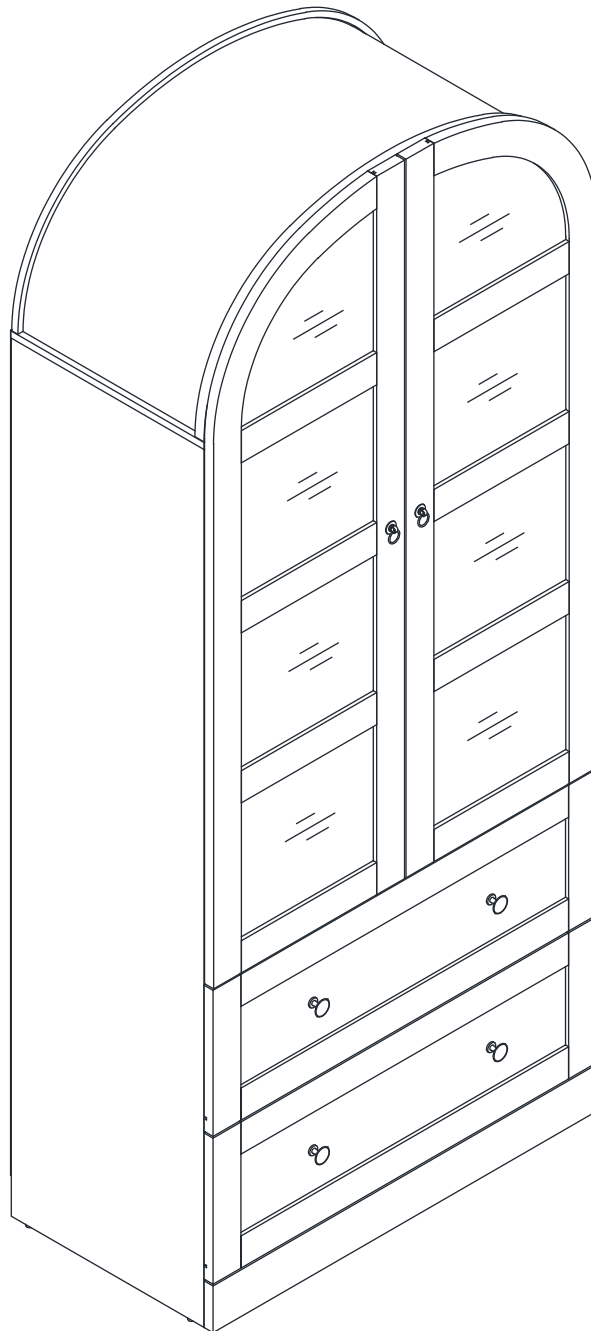
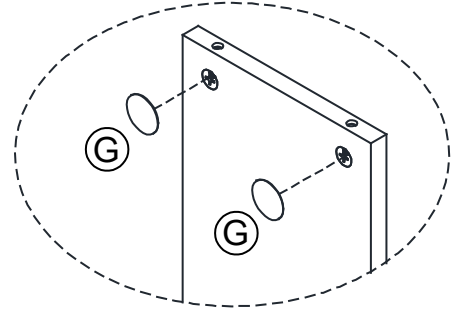


32

ⓐ x 50pcs



Peel a CAM COVER from the CAM COVER CARD and stick one onto each visible HIDDEN CAM.



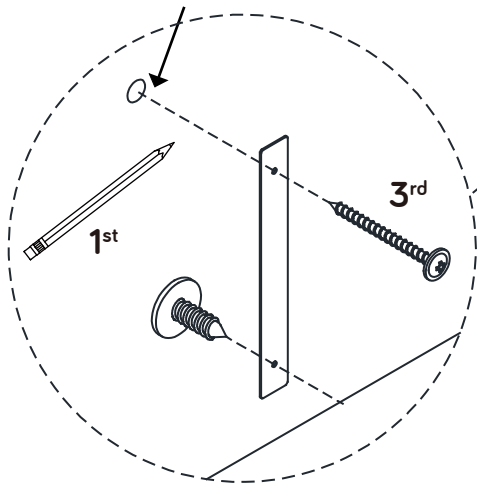
33

Open the FURNITURE TIPPING RESTRAINT KIT (96) and fasten the SAFETY STRAP to the TOP (A). Use the SHORT SCREW through the hole in the strap and into the top surface of the TOP (1). Place your unit in its final location.

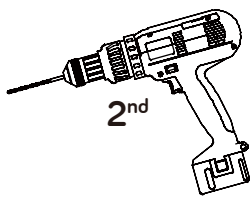
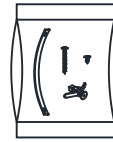
NOTE: The following instructions show your unit being fastened to a wall stud. If you are not fastening your unit wall stud, go to the next step now.

- 1st- Locate the center of a stud in your wall near your unit and mark it with a pencil.
- 2nd- Drill a 1/8" hole on the mark and into the stud in your wall.
- 3rd- Fasten the unit to the wall. Use the LONG SCREW through the other end of the SAFETY STRAP and into the 1/8" hole.

Mark and drill a 1/8" hole into the wall stud.



96



34

1st- With your pencil, strike a mark through the center of the hole in the SAFETY STRAP.

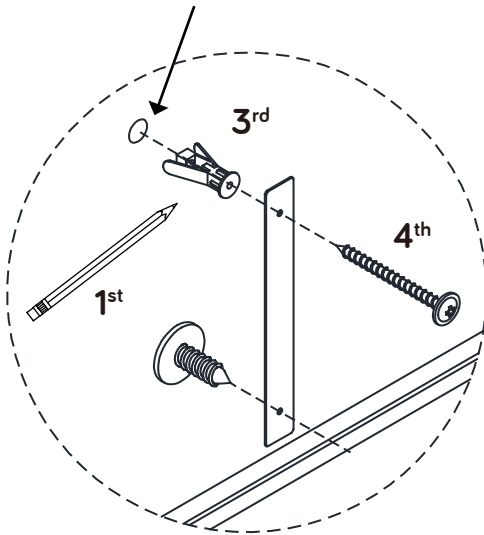
2nd- Drill a 3/8" hole on the mark.

3rd- While you squeeze the wings together, gently tap the WALL ANCHOR from the FURNITURE TIPPING RESTRAINT KIT (96) into the hole until it is even with the surface of the wall.

4th- Turn the LONG SCREW through the hole in the SAFETY STRAP and into the WALL ANCHOR.

NOTE: You will need to turn the LONG SCREW multiple turns to completely tighten and secure your unit.

Mark and drill
a 3/8" hole into
the wall stud.



96

