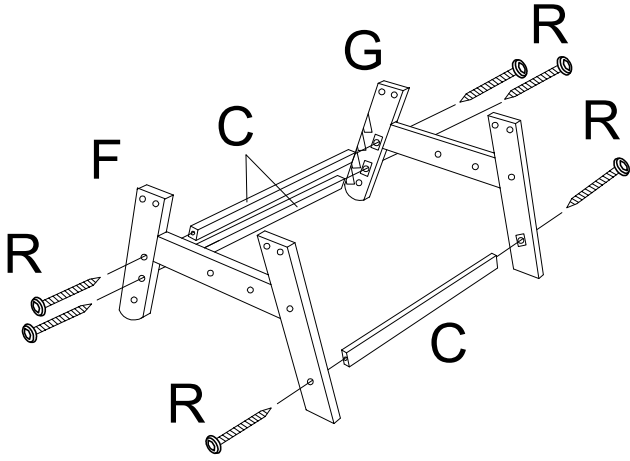
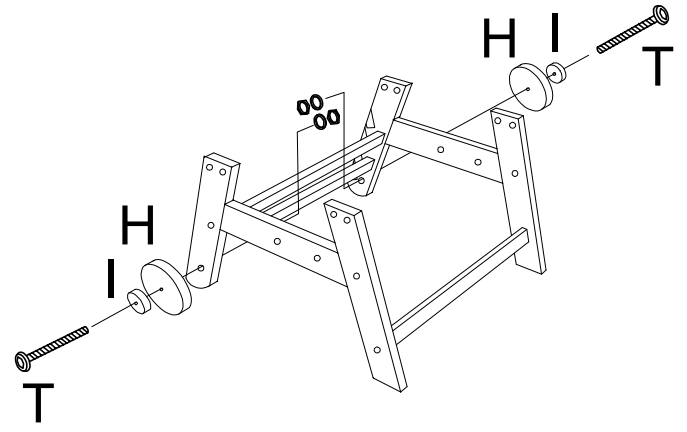


1



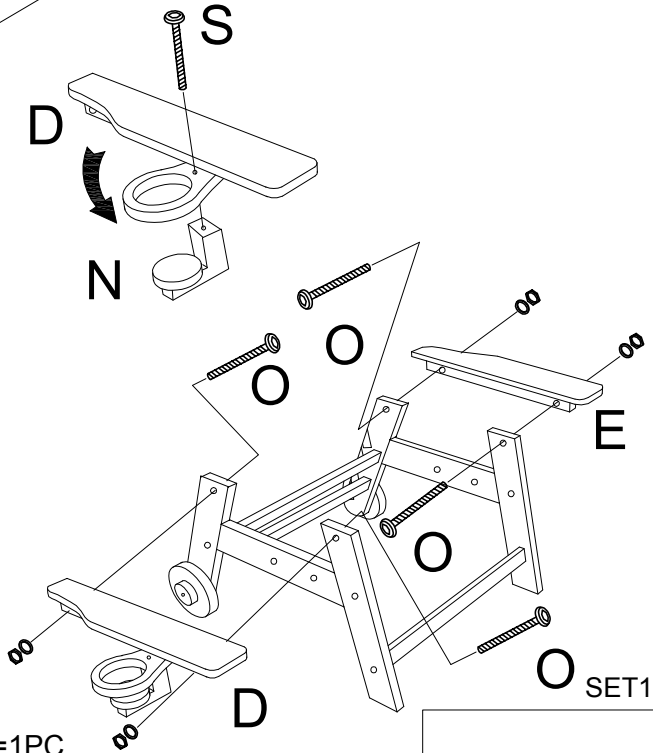
C = 3PCS
 F = 1PC
 G = 2PCS
 R = 6PCS

2

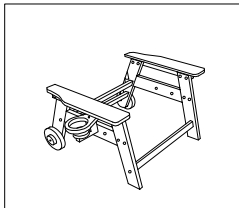


H = 2PCS
 I = 2PCS
 T = 2SETS

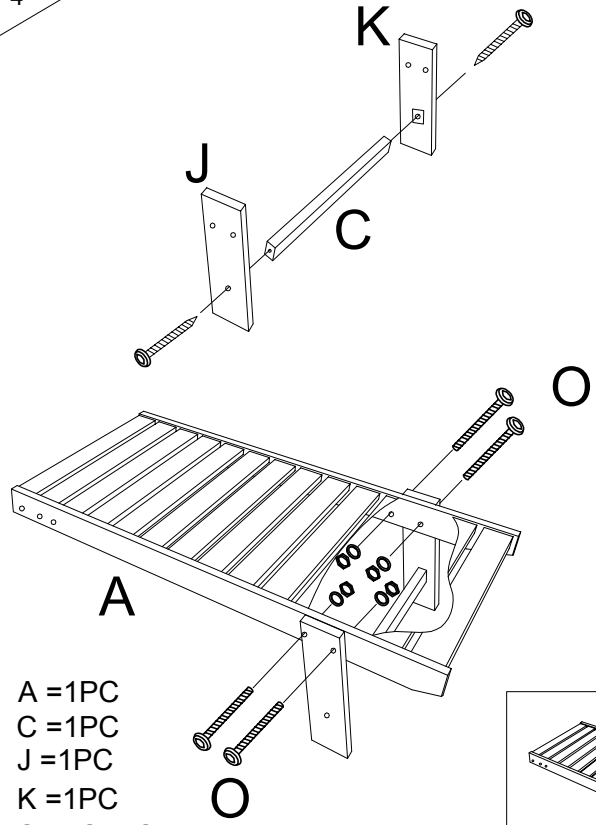
3



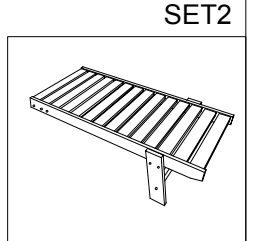
D = 1PC
 E = 1PC
 N = 1PC
 O = 4SETS
 S = 1PC



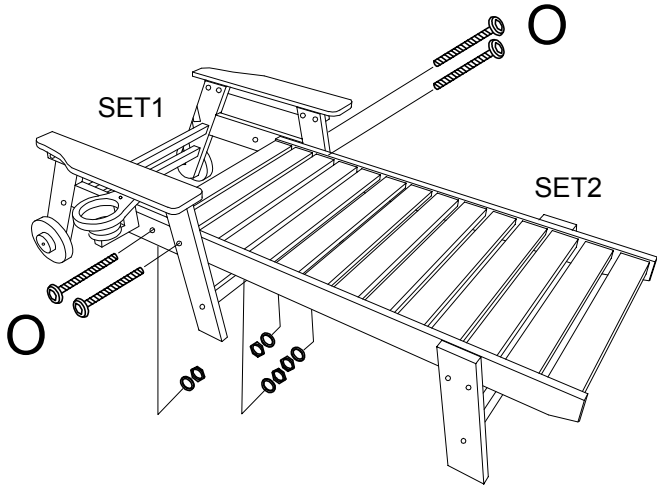
4



A = 1PC
 C = 1PC
 J = 1PC
 K = 1PC
 O = 4SETS
 R = 2PCS

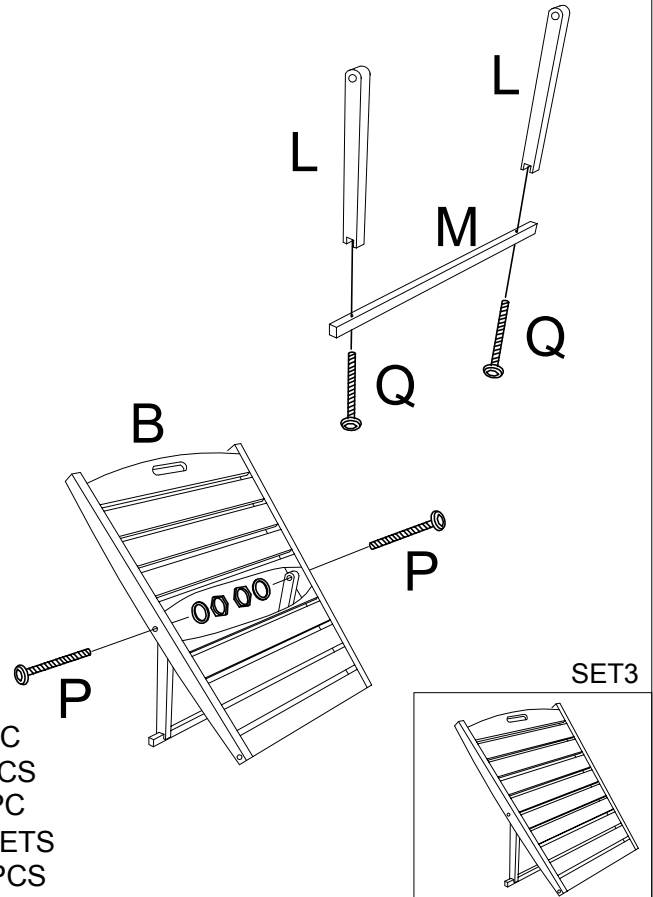


5



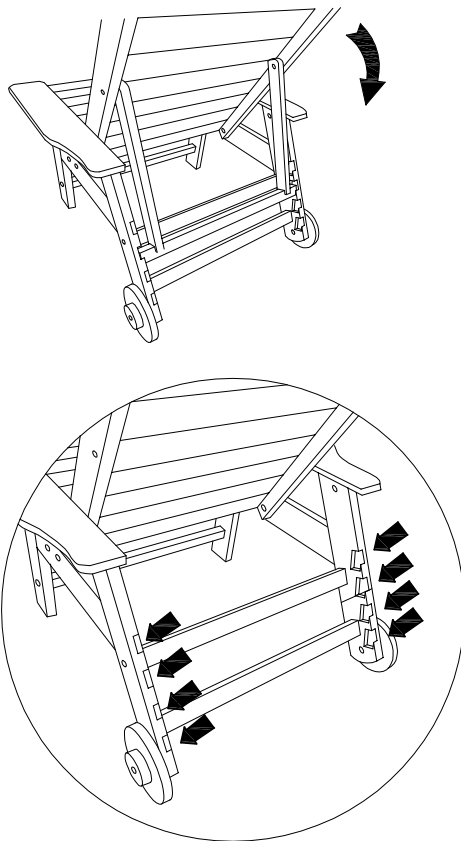
SET1
 SET2
 O=4SETS

6



B = 1PC
 L = 2PCS
 M = 1PC
 P = 2SETS
 Q = 2PCS

7



SET3
 O=2SETS

