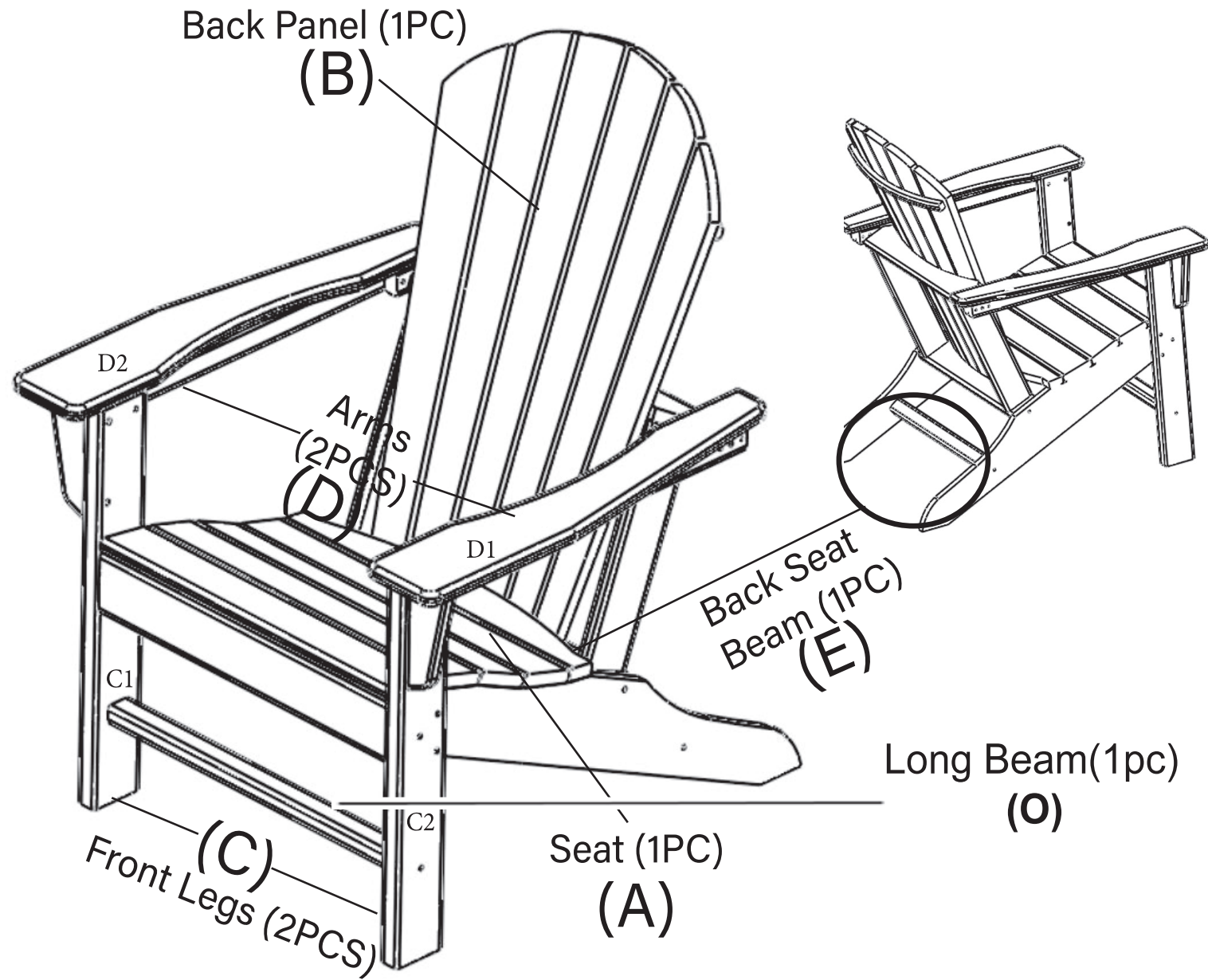


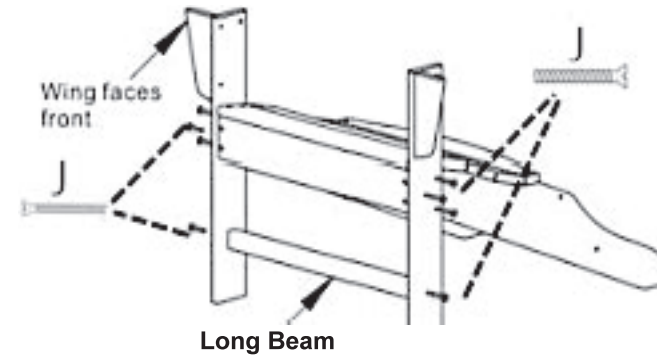
ITEM NAME: HDPE Adirondack Chair
 ITEM NO.:FYSW21A

IMPORTANT NOTE: DO NOT OVERTIGHTEN THE BOLTS

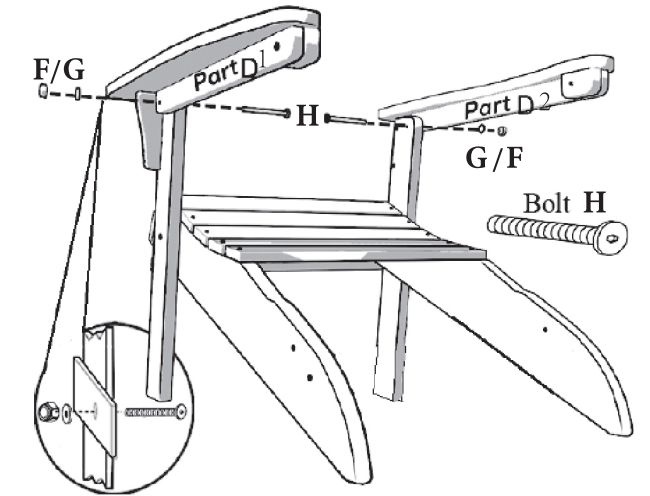


STEP-BY-STEP ASSEMBLY:

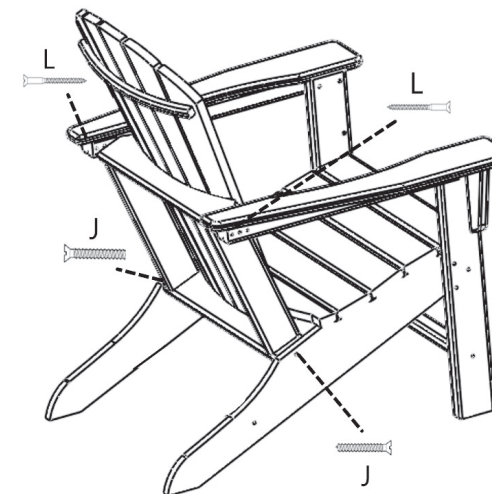
STEP 1: 1: Attach both front legs to seat using (6) (J) 2" screws. Attach the Long Beam between 2 front legs using (2)(J) 2" screws



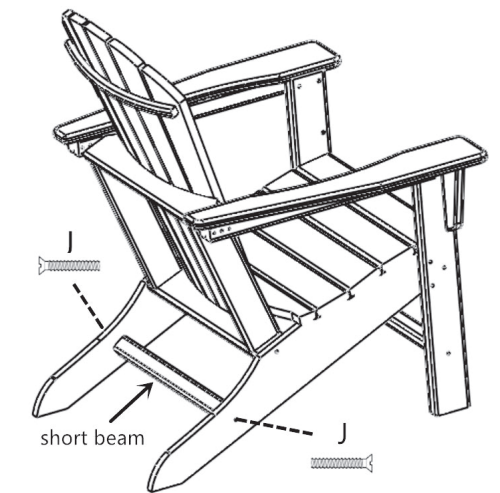
STEP 2: Attach both armrests to front legs using (2) F,G,H Bolt Set.



STEP 3: Attach the back panel to seat using (2) (J) 2" screws. Attach back panel to armrest using (2) (L) 3.15" screws.



STEP 4: Attach short brace to rear leg using (2) (J) 2"screws.



PART LIST:							
A. Seat - 1Pc	B. Back - 1Pc	C. Front Legs - 2Pcs		D. Arms - 2Pcs		E. Short Beam - 1Pc	O. Long Beam - 1Pc
		C1	C2	Bottom View D1	Top View D2	20.5" for the back	22" for the front

HARDWARE LIST:				
F. Lock Nut - 2Pcs	G. Washer - 2Pcs	H. Bolts 2.55" - 2Pcs	J. Screws 2" - 12Pcs	L. Screws 3.15" - 2Pcs
M. Allen Wrench - 1Pc	N. Wrench - 1Pc			