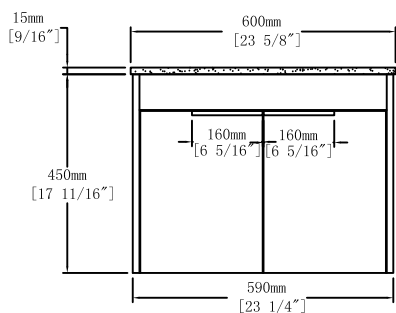
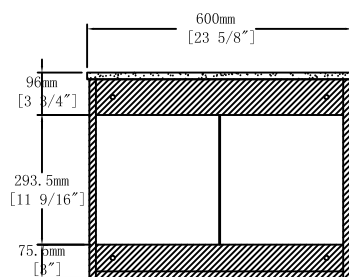


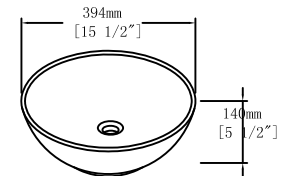
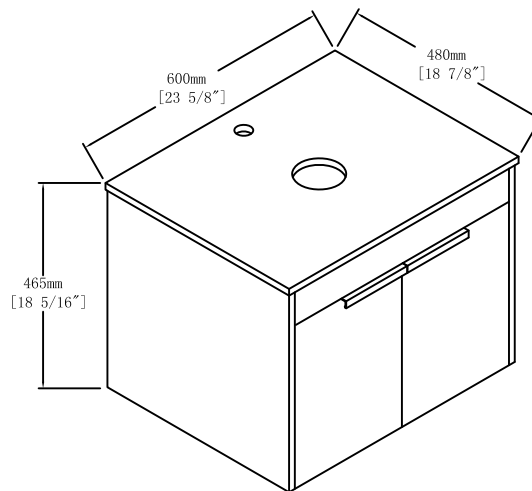
Top View



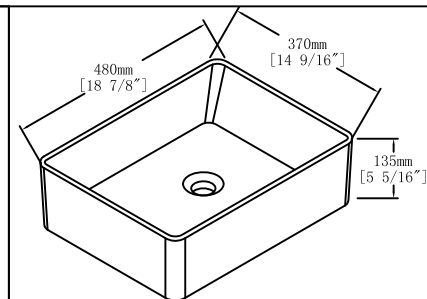
Front View



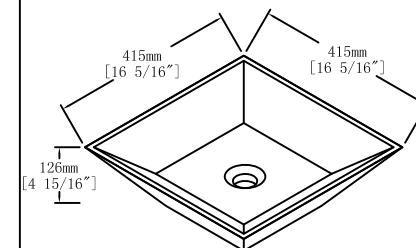
Back View



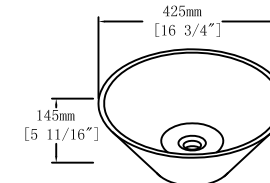
BA B321MO WH



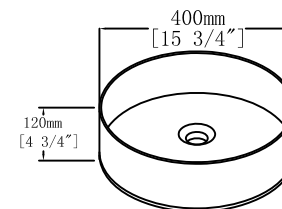
BA B110MO WH



BA B101MO WH



BA B217MO WH



BA B400MO WH

Item NO.

Projece

Version

V1

Date

2022-11-23