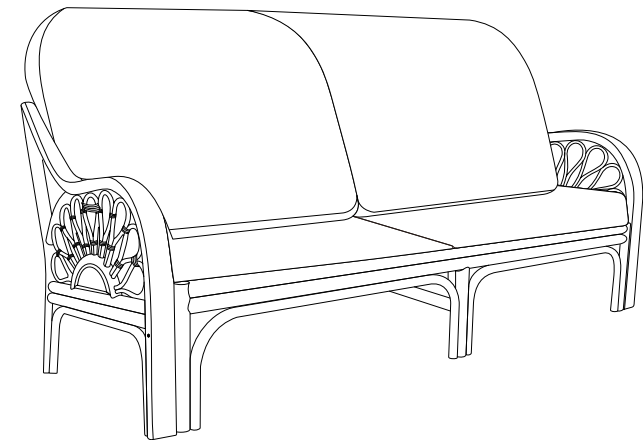


ISAIAS RATTAN LOVESEAT

DESIGN#CWK4003A

Assembly Instructions



Need help?

Feel free to contact us via email or call
if you have any specific questions!

contact us:

cs@safavieh.com

866-422-9070

SAFAVIEH
C O U T U R E

**Thank you for bringing
Safavieh Couture into
your home.**

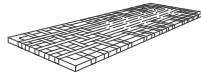
Everything we make is super easy to set up, including your new Loveseat. You don't need any additional equipment.

Parts List

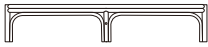
A x 1
Back Frame



B x 1
Seat Frame



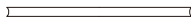
C x 2
Legs



D x 2
Armrest



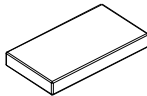
E x 1
Horizontal Support



F x 1
Horizontal Backrest



G x 1
Seat & Back Cushions



Hardware List

HW1 x 4
Hex Socket Bolt M6x1.0x80mm



HW2 x 12
Hex Socket Bolt M6x1.0x50mm



HW3 x 12
Allen Key M4

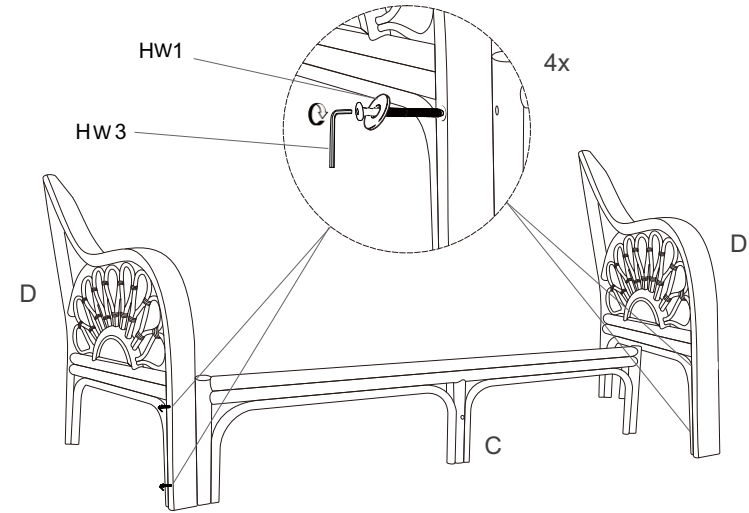


HW4 x 16
Hole Cover



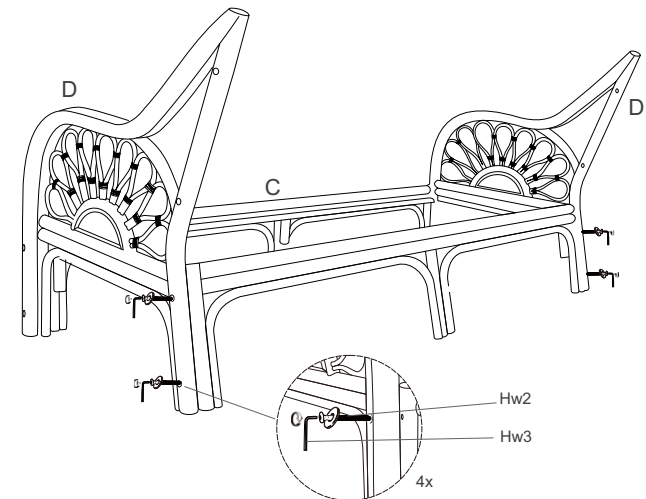
1

Align the screw holes on the 2 Armrest (B) with the screw holes on the front Leg (C). Attach them together by using the Allen Key (HW3) to screw in 4 of the Hex Socket Bolts (HW1) as shown. Make sure the bolts are in the holes properly before tightening.

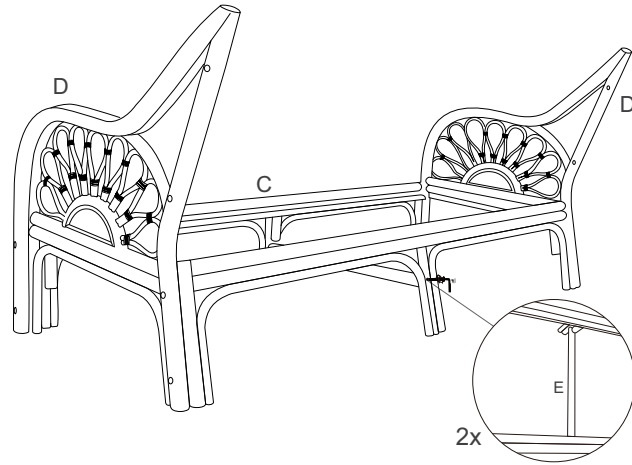


2

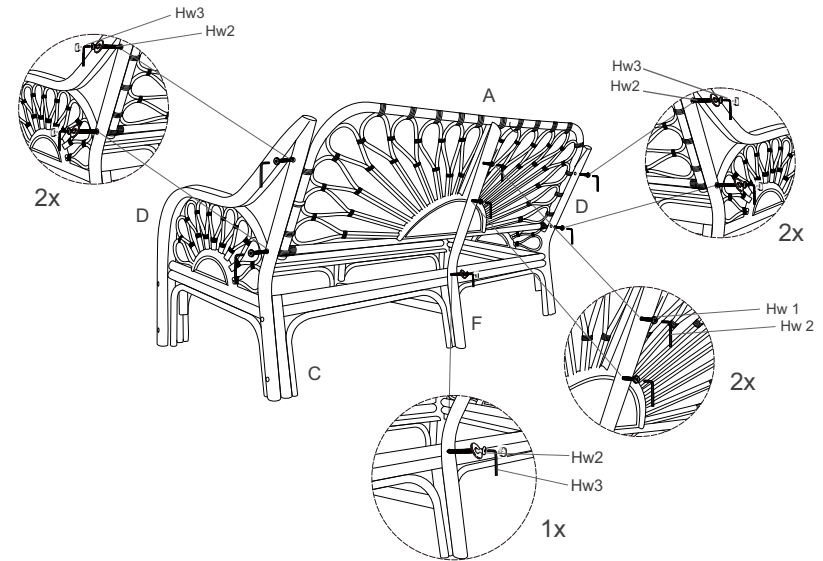
Align the screw holes on the 2 Armrests (B) with the screw holes on the back Leg (C). Attach them together by using the Allen Key (HW3) to screw in 4 of the Hex Socket Bolts (HW2) as shown. Make sure the bolts are in the holes properly before tightening.



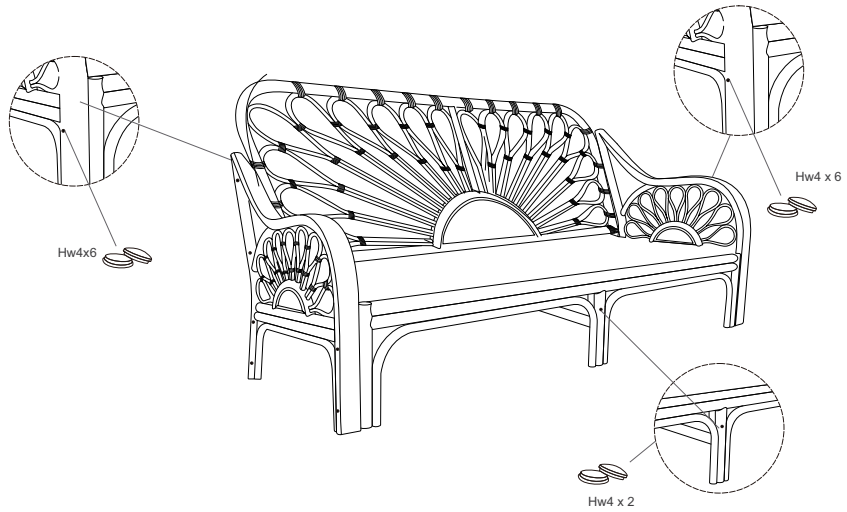
Align the screw holes on the 2 Legs (C) with the screw holes on the Horizontal Support (E). Attach them together by using the Allen Key (HW 3) to screw in 2 of the Hex Socket Bolts (HW 2) as shown. Make sure the bolts are in the holes properly before tightening.



Attach the Horizontal Backrest (F) to the back leg (C) by using the Allen Key (HW 3) to screw in 2 of the Hex Socket Bolts (HW 2) as shown. Attach the Back Frame (A) to the 2 Armrests (D) and the Horizontal Backrest (F) by using the Allen Key (HW 3) to screw in 4 of the Hex Socket Bolts (HW 2) as shown.



Place the Seat Frame (B) on the assembled frame. Place the Cushion (G) on the Seat Frame (B). Insert the Hole Covers (HW4) into all the screw holes to cover the screws. Press them in with a small hammer



Place the Loveseat in the place where you will use it. We'd love to see it – just tag us (we're @safavieh) and use the hashtag #safavieh on Instagram!

