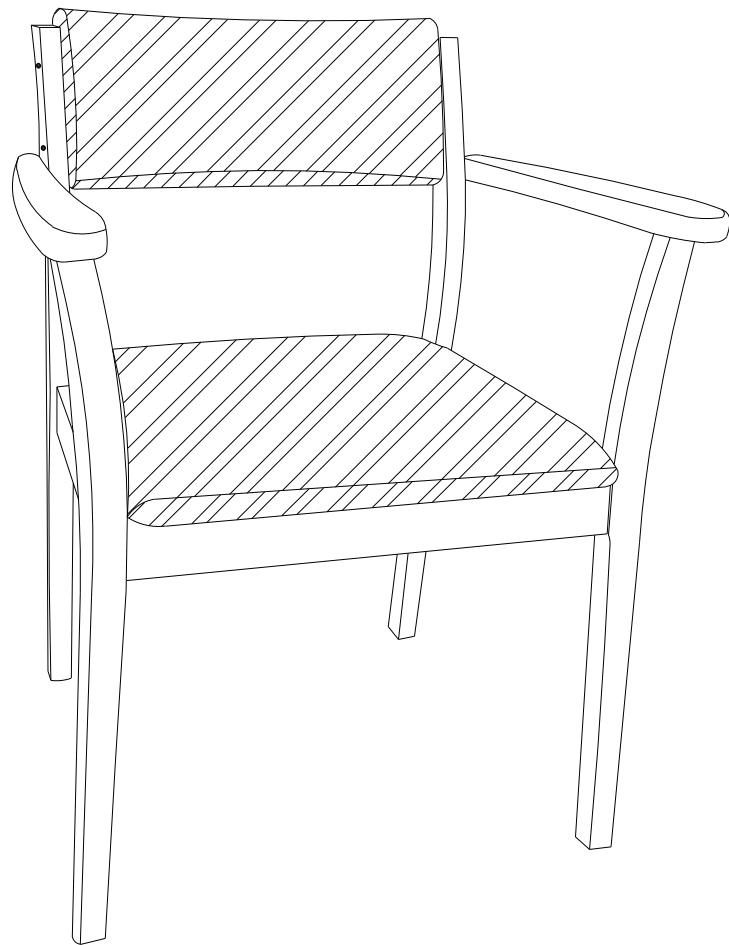


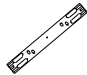
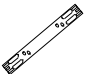
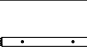




ASSEMBLY INSTRUCTION




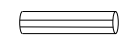


Dining Chair



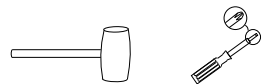
Component List

LABEL		DESCRIPTION	QTY
A		Side Frame L	2
B		Side Frame R	2
C		Front Rail	2
D		Back Rail	2
E		Center Rail	2
F		Back Rest	2
G		Cushion Seat	2

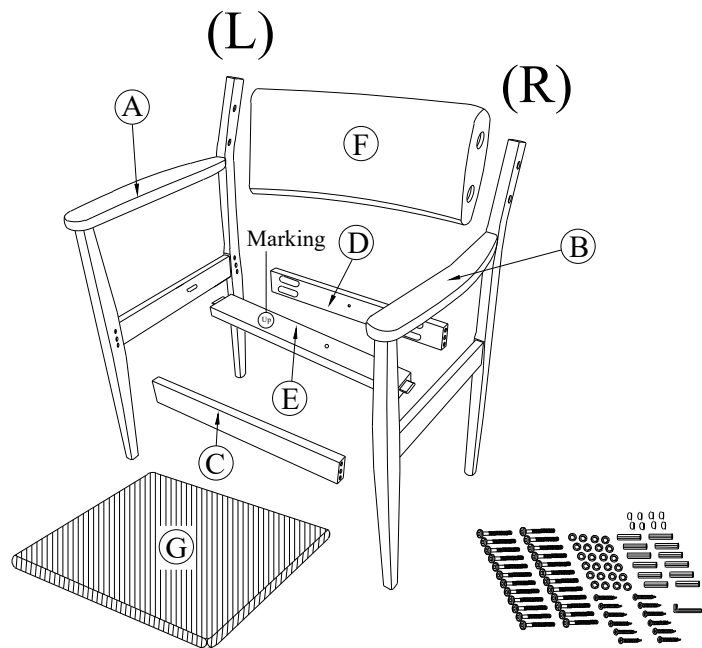
Hardware List

LABEL		DESCRIPTION	QTY
H1		Allen Key	1
H2		JCBC Bolts M6 x 50mm	24
H3		Spring Washer	24
H4		Wood Dowel 8 x 30mm	12
H5		Screws M4 x 32mm	12
H6		Wood Button	8

TOOL REQUIRED NOT PROVIDED
-MALLET- SCREW DRIVER

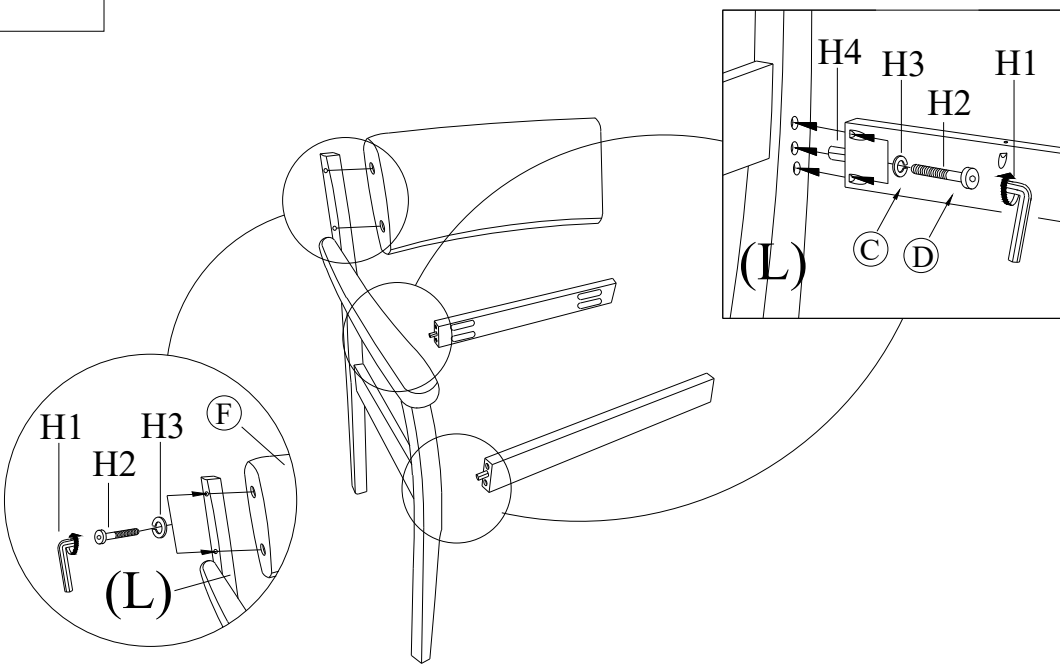


1



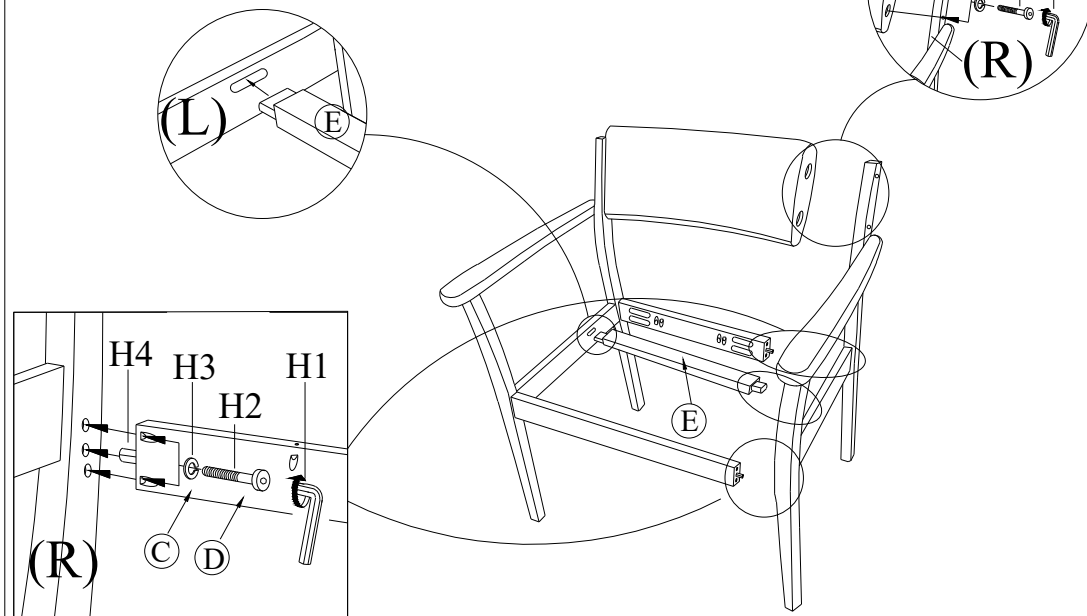
2

Engage The bolts but do not tighten them

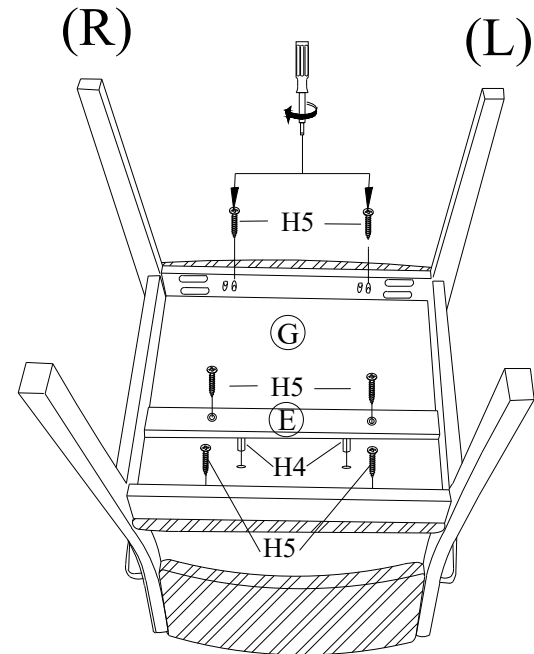


3

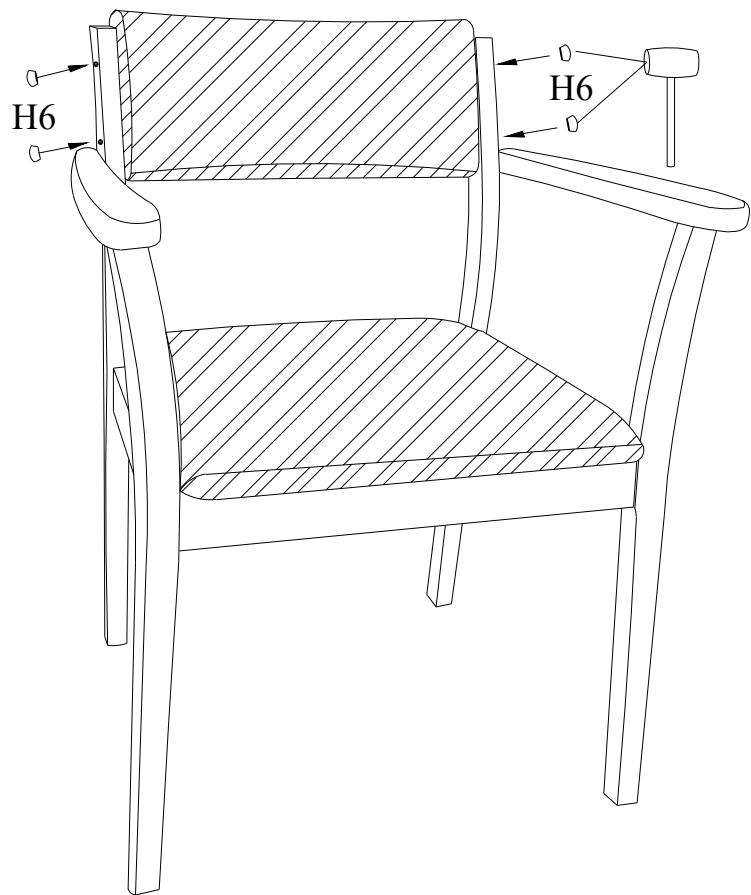
Tighten all bolts



4



5



6

