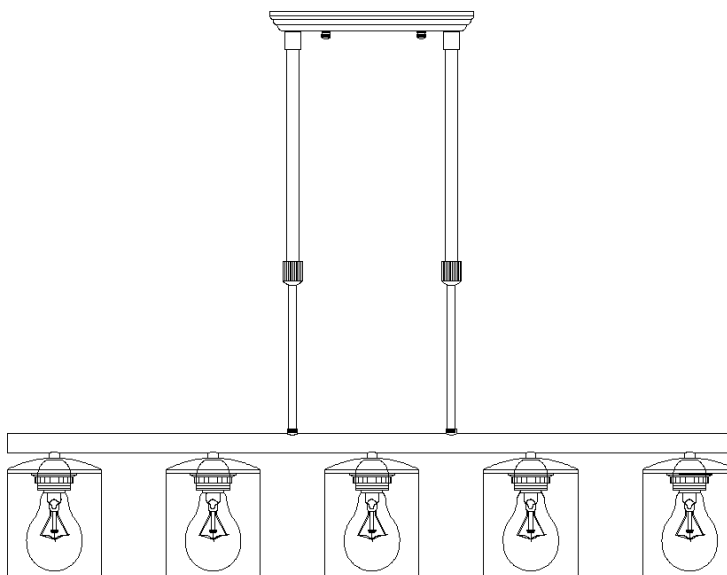


Item Number: A03154

WARNING (To reduce the risk of fire, electric shock, or injury to persons):

1. We suggest installation by a **licensed electrician**.
2. Please read the instruction carefully and save it as you may need it at later time.
3. Before you start, **NEVER** attempt any work without shutting off the electricity until the work is done. A). Go to the main fuse, or circuit breaker, box in your home. Place the main power switch in the “**OFF**” position. B). Place the wall switch in the “**OFF**” position.
4. Mounting surface should be clean, dry, flat, strong enough and 1/4” larger than the canopy on all side. Any gaps between the mounting surface and canopy exceeding 3/16” should be corrected as required.
5. Make sure that the ceiling or wall can stand the weight of the lamp before fixture.
6. Make sure the voltage you are using is **120V**. The maximum wattage is **60W** per bulb.
7. Keep the lamp away from acidic and basic objects in case of damaging the surface of the lamp.
8. When replacing bulb, you should turn off or unplug the lamp and you must wait until it is cool as bulbs get hot quickly.
9. The safety instructions appearing in this manual are not meant to cover all possible conditions that may occur. It must be understood that common sense, caution and care must be used with any electrical products.

IMAGE FOR FINISHED PRODUCT:



TOOLS REQUIRED (NOT INCLUDED):

Before doing assembly and installation please prepare the needed tools as below picture

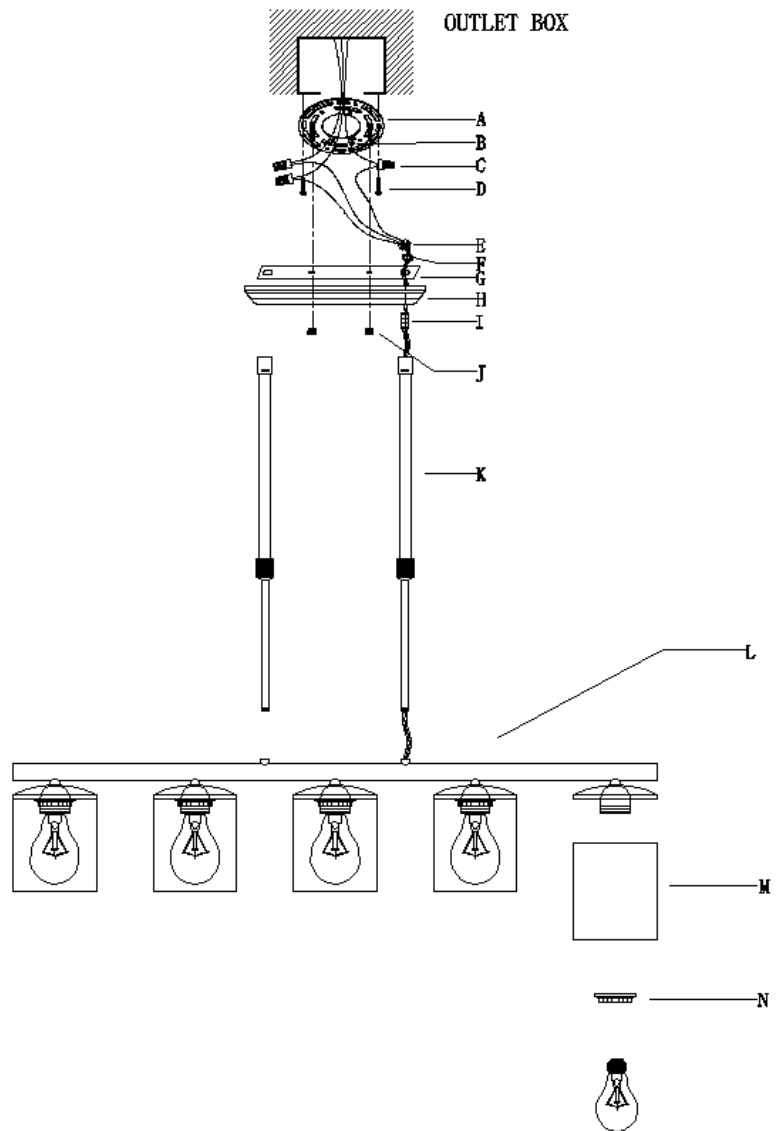
Ladder	Phillips head, flat blade screwdriver	Electrical tape	Pliers	Wire cutter/Stripper

PARTS TYPE & QTY INCLUDING:

- (A) Round mounting plate (1)
- (B) Green ground screw (1)
- (E) Hex nut (1)
- (F) Washer (1)
- (G) Metal strap
- (H) Canopy (1)
- (I) Threaded nipple (1)
- (J) Knob ball (2)
- (K) Drawtube (1)
- (L) Fixture (1)
- (M) Glass shade (5)
- (N) Socket ring (5)

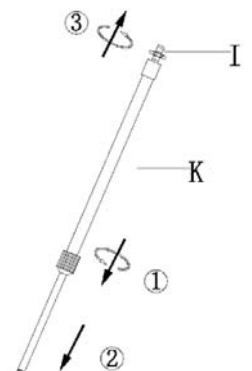
ACCESSORIES & QTY ENCLOSED:

- (C) Plastic wire connector (3)
- (D) Mounting screw (2)

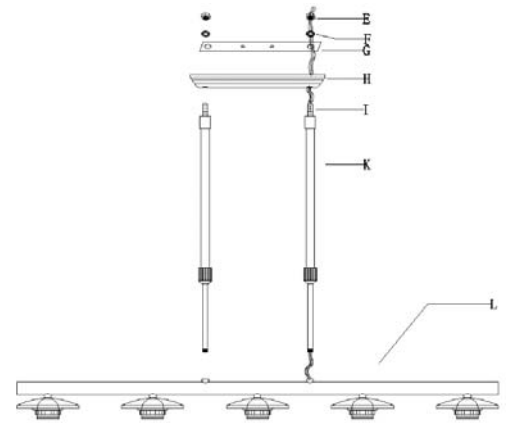


ASSEMBLY & INSTALLATION INSTRUCTIONS:

1. Carefully remove the fixture from the carton and check that all parts and accessories are included as shown in the above illustration
2. Turn off power
3. Unscrew the nuts of drawtubes for pulling the small tubes to the proper positions
Unscrew the threaded nipples from the drawtubes
4. Carefully pass the wires through the drawtube (K), then thread the drawtubes (K) onto the fixture (L).
Carefully pass the wires through the threaded nipple.
Thread the threaded nipples onto the drawtubes (K)



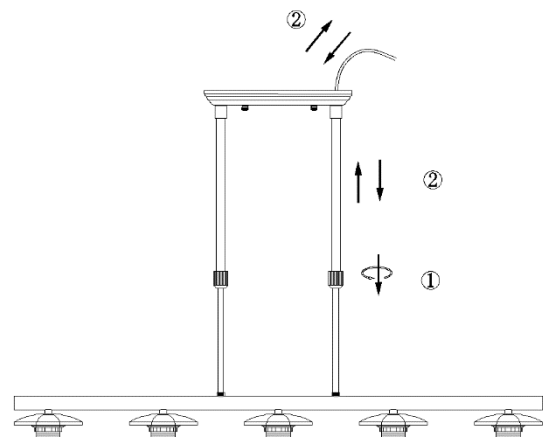
Place the canopy(H),metal strap(G) and washer (F) over the nipples (I), then secure with hex nuts (E),



5. According your desired hanging length to adjust the drawtube (K)

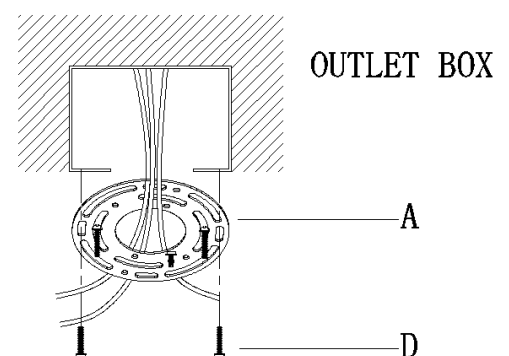
Unscrew the nuts of drawtube to pull and push the small tube to a proper position meanwhile gently pull and push the wires from the canopy to make the tube for stretching flexibly.

Once the desired hanging length achieved close the nuts to secure the tubes in place



6. Pass your outlet box wires through the mounting plate (A)

Attach the mounting plate (D) to outlet box with the mounting screws (D)

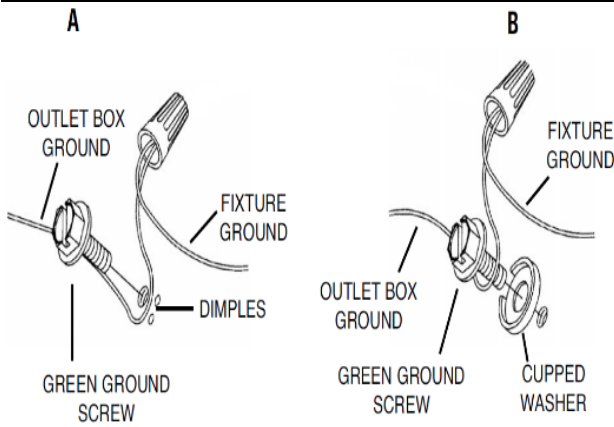


7. Make wire connections

Connect wires as below wires connecting shown. **TAKE NOTE OF YOUR COLOR OF FIXTURE , NEVER CONNECT WIRES TO GROUND WIRES**

Connect ground wire according to below chart

Connect wires according to below chart



Connect Black or Red Supply Wire to:	Connect White Supply Wire to:
Black	White
*Parallel cord (round & smooth)	*Parallel cord (square & ridged)
Clear, Brown, Gold or Black without tracer	Clear, Brown, Gold or Black with tracer
Insulated wire (other than green) with copper conductor	Insulated wire (other than green) with silver conductor

*Note: When parallel wires (SPT I & SPT II) are used. The neutral wire is square shaped or ridged and the other wire will be round in shape or smooth (see illus.)

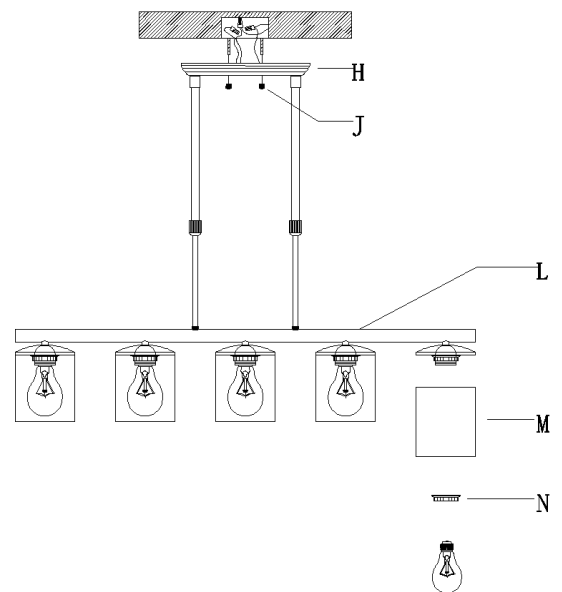
Neutral Wire

Twist plastic wire connector(C) until wires are tightly joined together, then carefully stuff all wires into the outlet box

8. Raise canopy (H) to ceiling and secure canopy (H) in place by tightening knobs (J) onto the threaded nipples on mounting plate

Place glass shades over the sockets, then secure with the socket rings (N)

Install bulbs (Not included. Please do not exceed the maximum capacity recommended on the socket.)



9. Check everything is already installed properly, then you could turn on the light.

CLEANING

To clean, wipe fixture with a soft cloth. Clean glass with a mild soap. Do not use abrasive materials such as scouring pads or powders, steel wool or abrasive paper.

ORDERING PARTS

Keep this sheet for future reference, and in case you need to order replacement parts. All parts for this fixture can be ordered from place of purchase. Be sure to use exact wording from illustration when ordering parts.