

# Owner Manual



**DINING CHAIR**

## **CONTENTS**

<b>01</b>	WARNING	Pg 01
<b>02</b>	SAFETY INFORMATION	Pg 01
<b>03</b>	ASSEMBLY PARTS AND TOOL	Pg 02
<b>04</b>	ASSEMBLY INSTRUCTIONS	Pg 03
<b>05</b>	LIMITED WARRANTY	Pg 07

**WARNING**

Please read the instructions carefully and follow the assembly steps.

To ensure proper assembly, please follow all steps and use all parts provided. Not following this warning may result in serious injury to you or others.

To prevent misalignments, keep the screws loose and do not tighten them until they are all in their correct positions.

Avoid overtightening or forcing the screws, as this could cause them to break, strip, or damage the threads of the holes.

Using the wrong size of screws for a particular part could cause damage to the screw or the part.

Please lubricate all moving parts regularly and tighten all bolts and screws every 6 months, or as needed.

**SAFETY INFORMATION**

**WEIGHT CAPACITY FOR SEATING: 275 LBS**



Sit in the center of the chair with your back against the backrest



Do not sit at the front edge of the chair



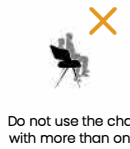
Do not push the chair around when a person is sitting in it



Do not stand on the chair



Do not push down on the backrest when a person is reclined



Do not use the chair with more than one person

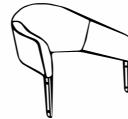


Do not place all your weight on the backrest only

**ASSEMBLY PARTS AND TOOL**

PLEASE MAKE SURE ALL THE PARTS ARE INCLUDED.

A



Backrest \*1

B



Seat Cushion \*1

C



Right Leg \*1

D



Left Leg \*1

E



Support Bars \*2

F



M6\*12mm Bolts \*12

G



M6\*45mm Bolts \*4

H



Allen Wrench \*1



BEFORE YOU GET STARTED, A FEW POINTERS:



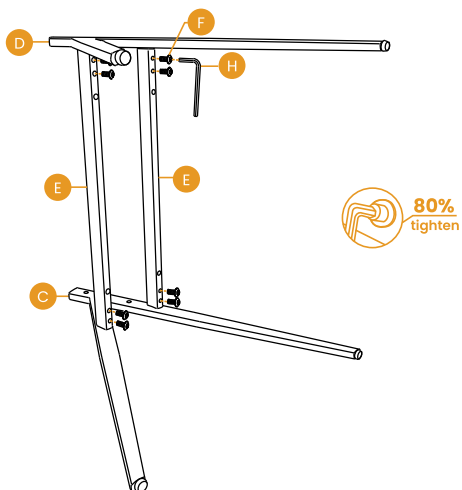
Having a friend to help makes assembly extra-easy



Please use the included wrench instead of an ELECTRIC HAND DRILL in case of damage to the product.

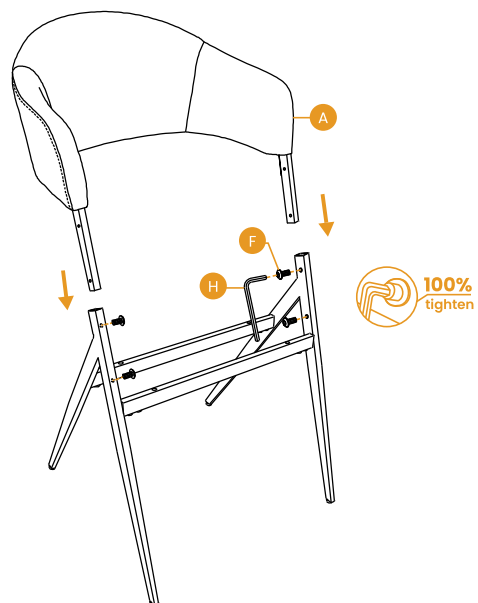
## ASSEMBLY INSTRUCTIONS

- STEP 1** Attach the left leg(D), right leg(C) and support bars(E) together using 8 screws (F).  
 Note: Tighten the screws in this step to 80%.



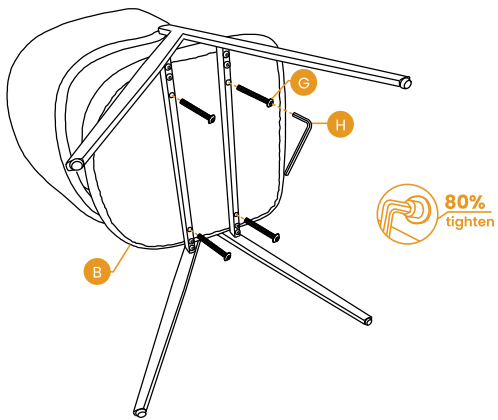
## ASSEMBLY INSTRUCTIONS

- STEP 2** Insert the metal backrest(A) tube into the slots at the top of the chair legs, using 4 screws (F).  
 Note: 1. There is a "span deformation" that needs to be aligned using manual external force.  
 2. Tighten this 4 screws in this step to 100%.



## ASSEMBLY INSTRUCTIONS

- STEP 3** Attach the Seat Cushion(B) to the chair leg support bars using 4 screws (G).  
*Note: Tighten the screws in this step to 80%.*



## ASSEMBLY INSTRUCTIONS

- STEP 4** After confirming all parts are properly aligned, fully tighten all screws.



**LIMITED WARRANTY**

We promise to repair or replace any chair that is found to be defective in material or workmanship within one year from the date of original purchase, as long as you, the original purchaser, still own it. This is your sole and exclusive remedy under this warranty, subject to the provisions outlined below.

**EXCLUSIONS**

This warranty does not apply to, and no other warranty applies to:

- Normal wear and tear, which is to be expected over the course of ownership.
- Misuse, abuse, or excessive use of the product.
- Modifications or attachments to the product that are not approved by COLAMY.
- Products that were not installed, used, or maintained in accordance with the product instructions and warnings.
- Products used for rental purposes or unauthorized retail activities.

Seating Usage: Normal use for seating is defined as equivalent to a single shift, forty-hour (40) workweek. If the seating product is used in a manner exceeding this, the applicable warranty period will be proportionately reduced.

**RETURN POLICY**

We offer a 30-day return policy, meaning that all products purchased through this website may be returned to us within that timeframe. You must contact us within 30 days of receiving the product(s), and they must be returned to us without any undue delays.

**CONDITIONS:**

- Returned products must be in the same condition as received and returned in their original packaging.
- If the product is not faulty (ie., if you change your mind or are unhappy with the product for another reason), you are responsible for the cost of return shipping. You must ensure the package arrives safely to us, so we recommend using a courier service that offers tracking.

**LIMITED WARRANTY**

- If the product is faulty when received, please contact us, and we will assist you with the return, covering the shipping costs in this case.
- We reserve the right to offer partial refunds for returned products that are not in unused condition, are damaged, or have missing parts not due to our error.

**HOW RETURNS WORK**

To request a return, please fill out the contact form on our website and attach a copy of your invoice as proof of purchase, along with the reason for the return.

We will provide the return address for the product as soon as possible. Once the returned product is received and inspected, we will provide a specific resolution.

If the return is approved, the refund amount will be automatically credited to your original payment method.

**MAINTENANCE INSTRUCTIONS**

Dust and clean up spills immediately using a clean, non-colored, lint-free cloth.



Use a mild soap solution and a damp cloth to remove stains.



Do not place hot items directly on the furniture surface without using a protective barrier.



For indoor use only. Do not place the furniture outside.



Do not place furniture in direct sunlight.



Do not write on the furniture surface without a padded barrier to protect it.



Do not clean furniture with harsh cleaners or polishes.



Do not place furniture near heating or cooling vents (keep at least 3 feet away)