

ASSEMBLY INSTRUCTION

Thank you for purchasing this quality product. Be sure to check all packing material carefully for small parts which may have come loose inside the carton during shipment. Separate, identify and count all parts and hardware. Compare with the parts list to be sure all parts are present.

IMPORTANT : PLEASE READ INSTRUCTION BEFORE STARTING THE ASSEMBLY.

"DO NOT TIGHTEN SCREWS UNTIL COMPLETELY ASSEMBLED"

"DO NOT OVERTIGHT ANY HARDWARE"

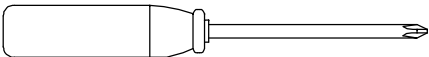
WARNING : SMALL PARTS AND HARDWARE NOT FOR CHILDREN UNDER 3 YEARS. ADULT ASSEMBLY REQUIRED.

TABLE OF CONTENTS

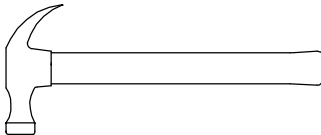
| | |
|--------------------|-------------|
| HARDWARES LIST | PAGE 2 - 3 |
| PARTS LIST | PAGE 4 - 5 |
| PARTS' LOCATION | PAGE 6 |
| ASSEMBLY STEPS | PAGE 7 - 19 |
| ASSEMBLY COMPLETED | PAGE 19 |

ASSEMBLY TOOLS REQUIRED

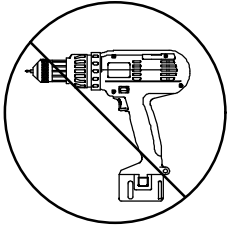
1. Screwdriver (not provide)



2. Hammer (not provide)


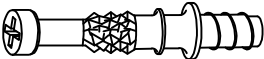


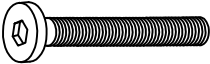

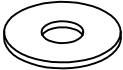
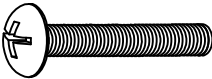
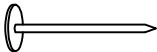


Skip the power trip this time.



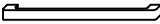

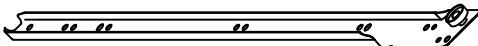
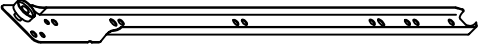

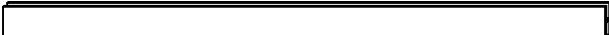
ASSEMBLY INSTRUCTION

HARDWARES LIST

| ITEM | DESCRIPTION | DRAWING | QTY |
|------|-------------------------|--|--------|
| A | MINIFIX CAM LOCK |  | 28 PCS |
| B | MINIFIX CAM BOLT |  | 28 PCS |
| C | WOOD DOWEL (M8 x 25MM) |  | 20 PCS |
| D | WOOD DOWEL (M6 x 25MM) |  | 16 PCS |
| E | JCBC SCREW M6 x 35MM |  | 4 PCS |
| F | SPRING WASHER M6 x 13MM |  | 4 PCS |
| G | FLAT WASHER M6 x 19MM |  | 4 PCS |
| I | TRUSS M-SCREW (20MM) |  | 4 PCS |
| L | 6/8" NAIL |  | 16 PCS |

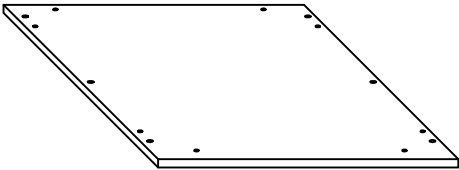
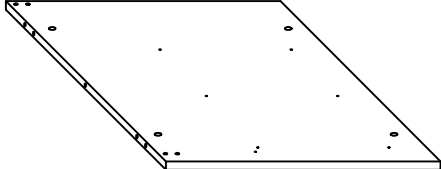
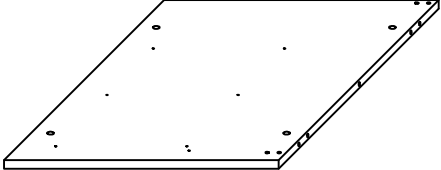
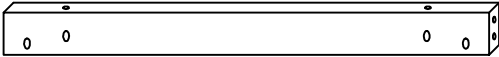

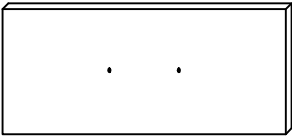
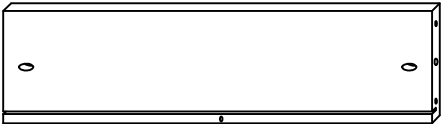
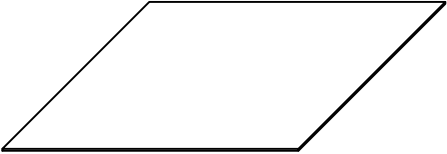
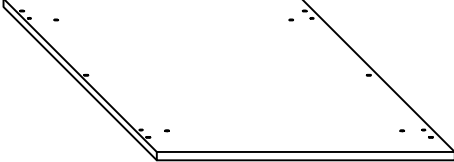
ASSEMBLY INSTRUCTION

HARDWARES LIST

| ITEM | DESCRIPTION | DRAWING | QTY |
|------|-------------------------|--|--------|
| M | HANDLE |  | 2 PCS |
| N | M4 ALLEN KEY (65MM) |  | 1 PC |
| O | LEFT DRAWER SLIDE |  | 2 PCS |
| P | RIGHT DRAWER SLIDE |  | 2 PCS |
| Q | CSK SCREW M3 x 10mm |  | 16 PCS |
| R | PLASTIC STRIP (H SHAPE) |  | 1 PC |

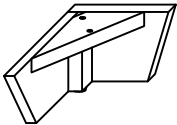
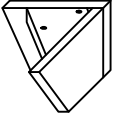
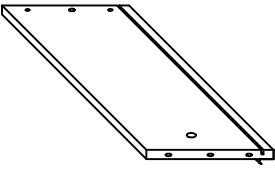
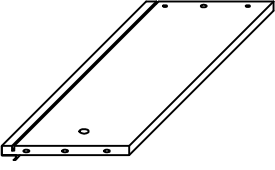
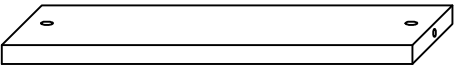
ASSEMBLY INSTRUCTION

PARTS LIST

| ITEM | DESCRIPTION | DRAWING | QTY |
|------|---------------------|--|-------|
| N1 | TOP PANEL |  | 1 PC |
| N2 | LEFT PANEL |  | 1 PC |
| N3 | RIGHT PANEL |  | 1 PC |
| N4 | TOP SUPPORT RAIL |  | 2 PCS |
| N6 | BACK PANEL |  | 2 PCS |
| N7 | DRAWER HEAD |  | 2 PCS |
| N8 | DRAWER BACK PANEL |  | 2 PCS |
| N9 | DRAWER BOTTOM PANEL |  | 2 PCS |
| N10 | BOTTOM PANEL |  | 1 PC |

ASSEMBLY INSTRUCTION

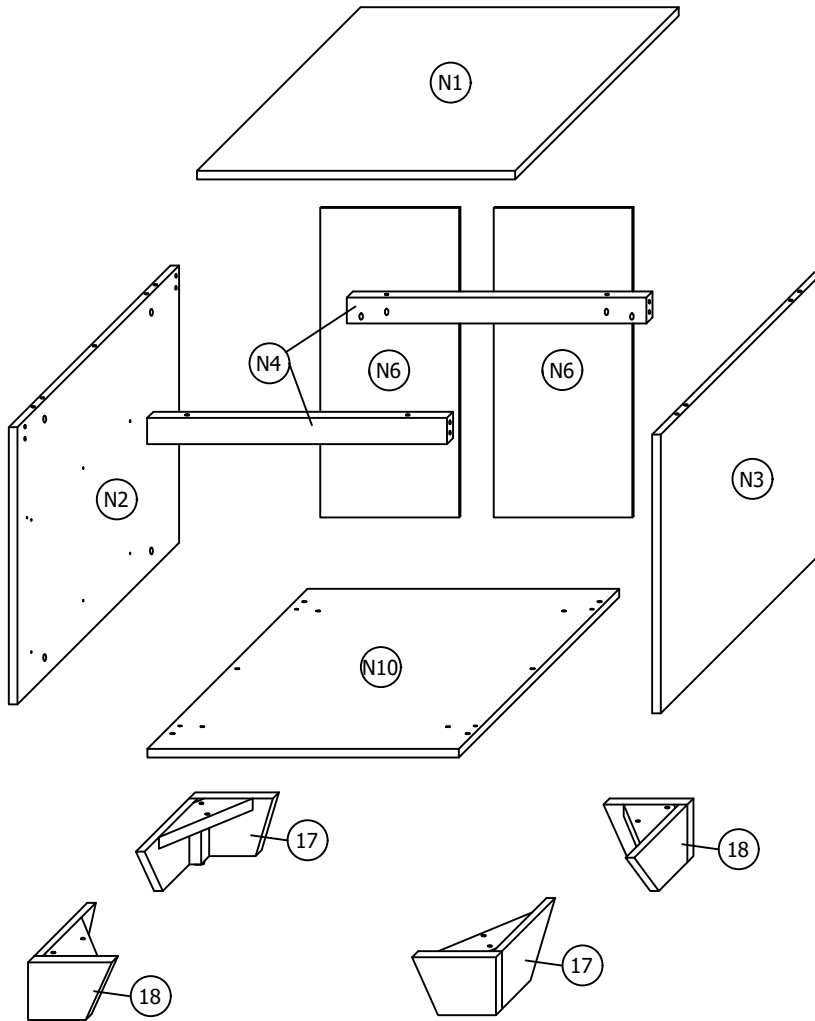
PARTS LIST

| ITEM | DESCRIPTION | DRAWING | QTY |
|------|----------------------------|--|-------|
| 17 | LEG (i) |  | 2 PCS |
| 18 | LEG (ii) |  | 2 PCS |
| 19 | DRAWER LEFT PANEL |  | 2 PCS |
| 20 | DRAWER RIGHT PANEL |  | 2 PCS |
| 21 | DRAWER BOTTOM SUPPORT RAIL |  | 2 PCS |

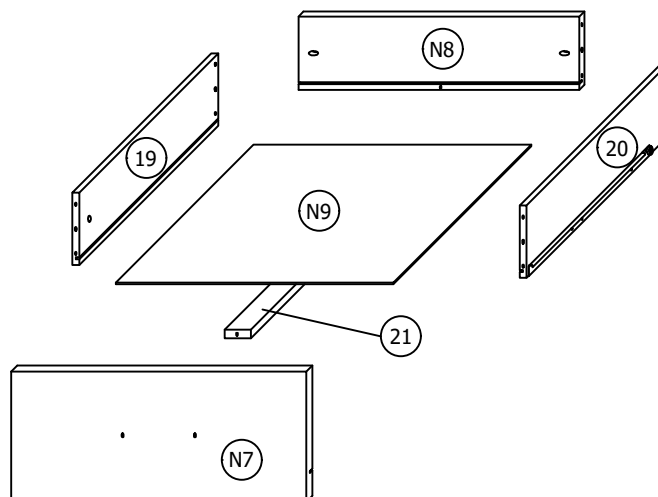
ASSEMBLY INSTRUCTION

PARTS ' LOCATION

NIGHTSTAND x 1 PC



DRAWER x 2 PCS

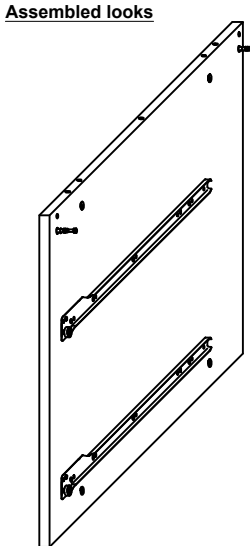
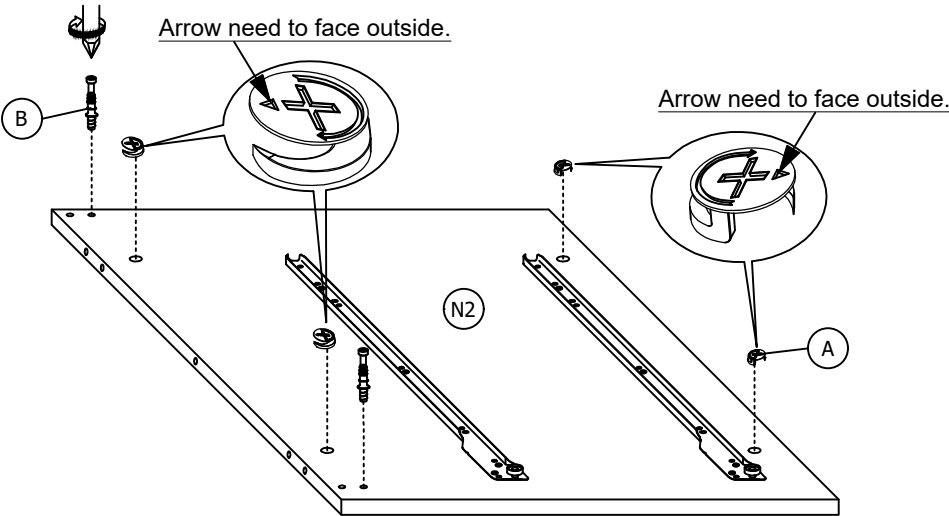
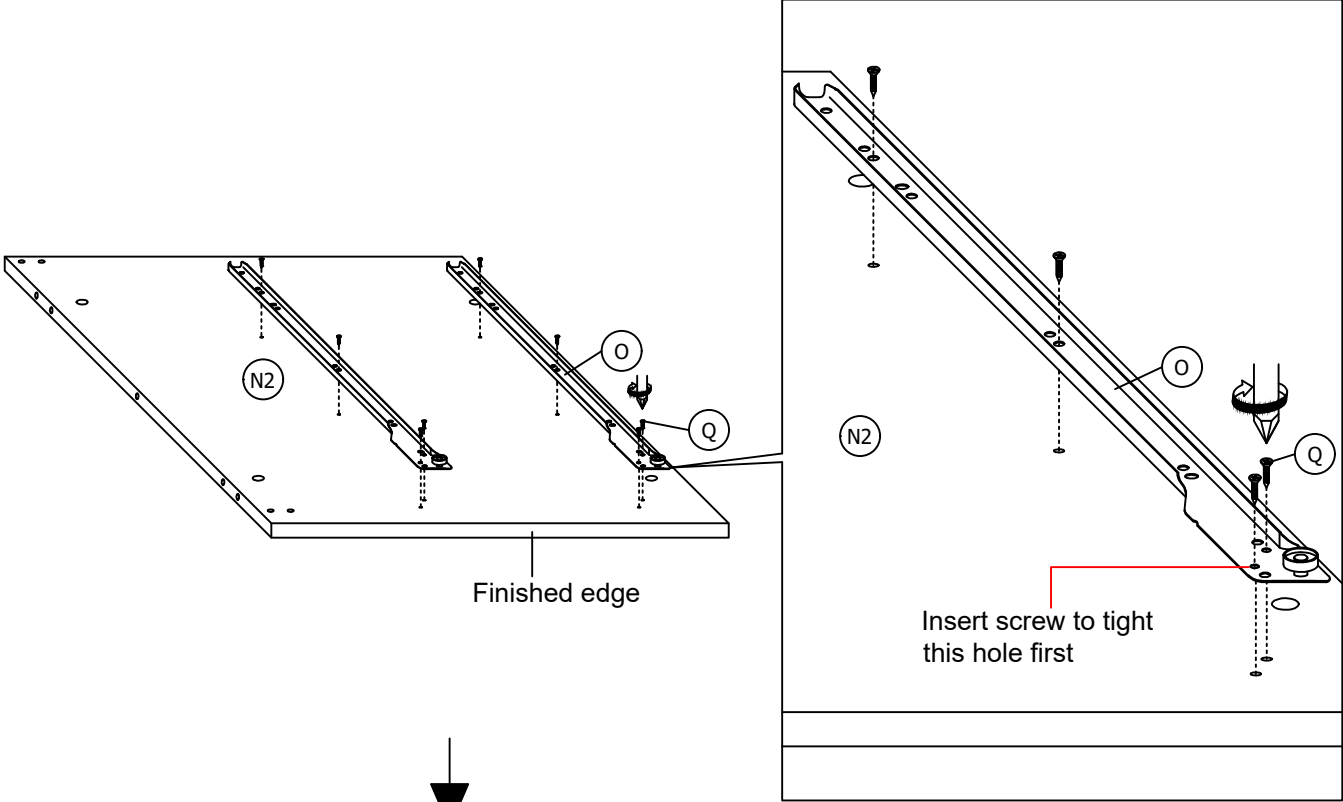


ASSEMBLY INSTRUCTION

ASSEMBLY STEPS

STEP 1

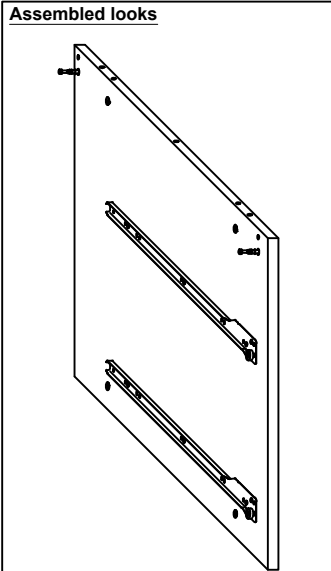
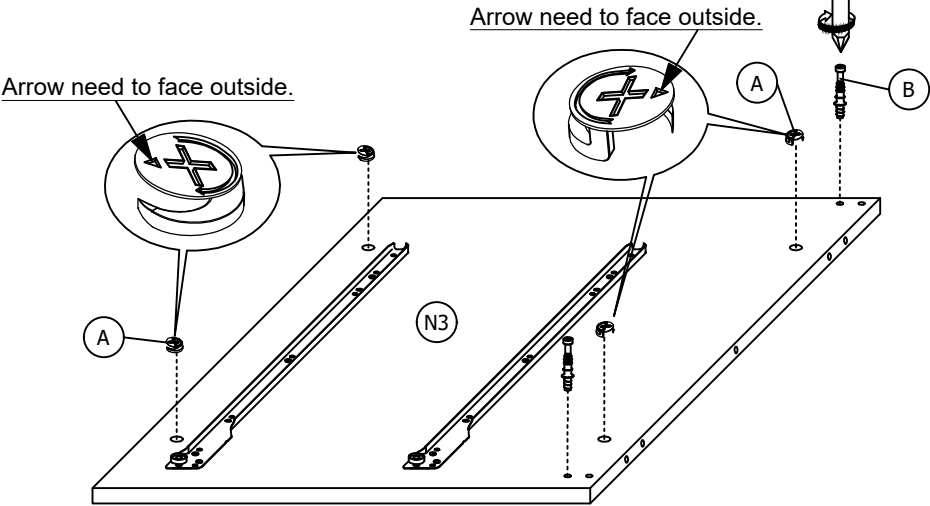
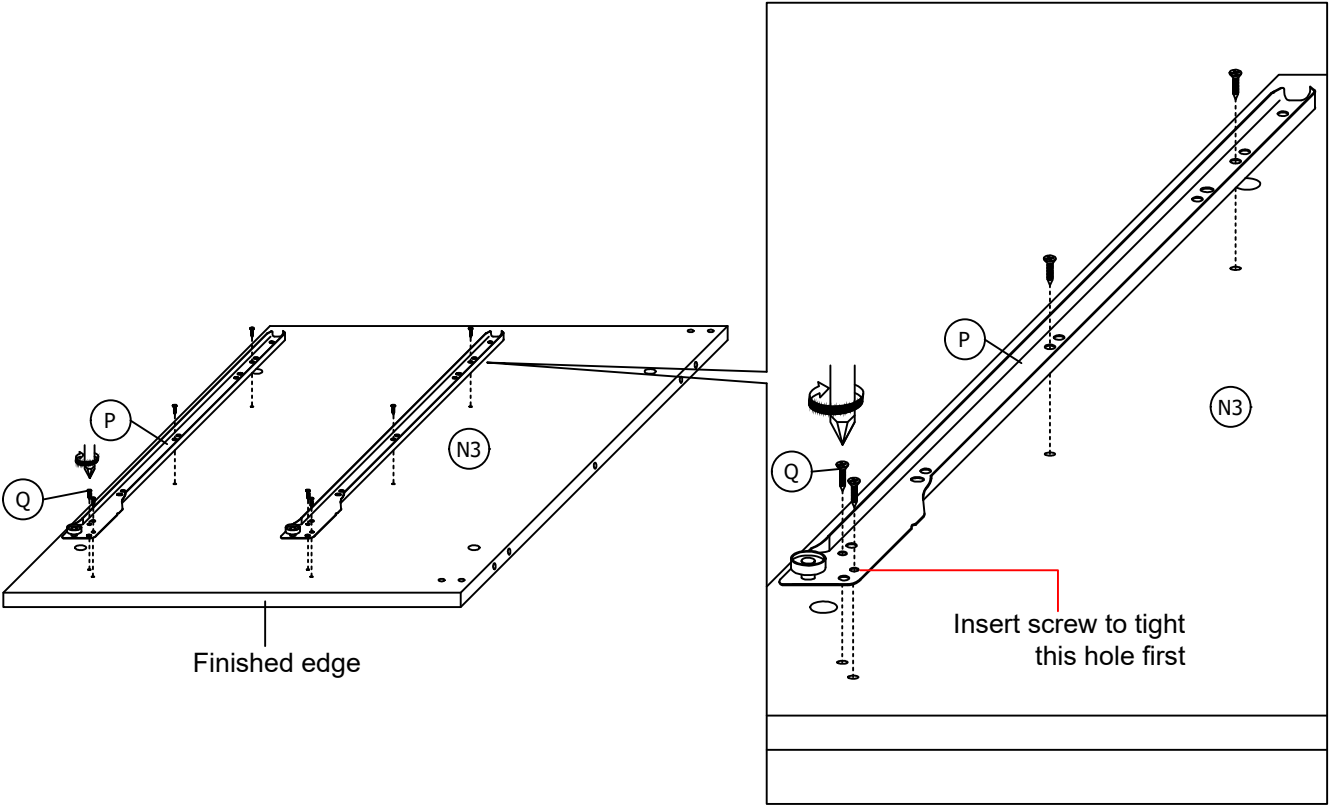
Fix the 2 pieces (O) to the (N2) by using 8 pieces (Q). Then insert 4 pieces (A) and 2 pieces (B) as shown.



ASSEMBLY INSTRUCTION

STEP 2

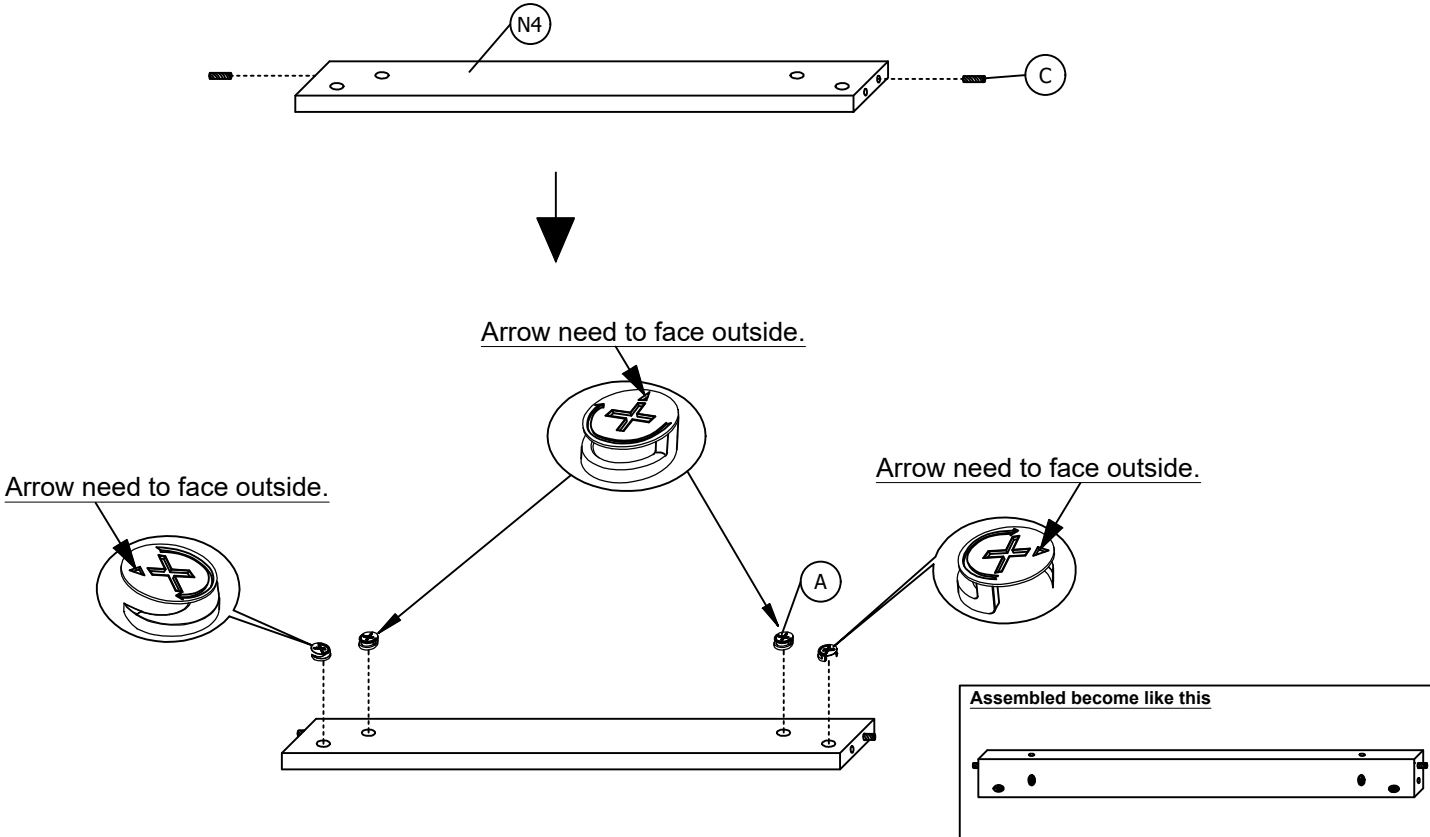
Fix the 2 pieces (P) to the (N3) by using the remaining 8 pieces (Q). Then insert 4 pieces (A) and 2 pieces (B) as shown.



ASSEMBLY INSTRUCTION

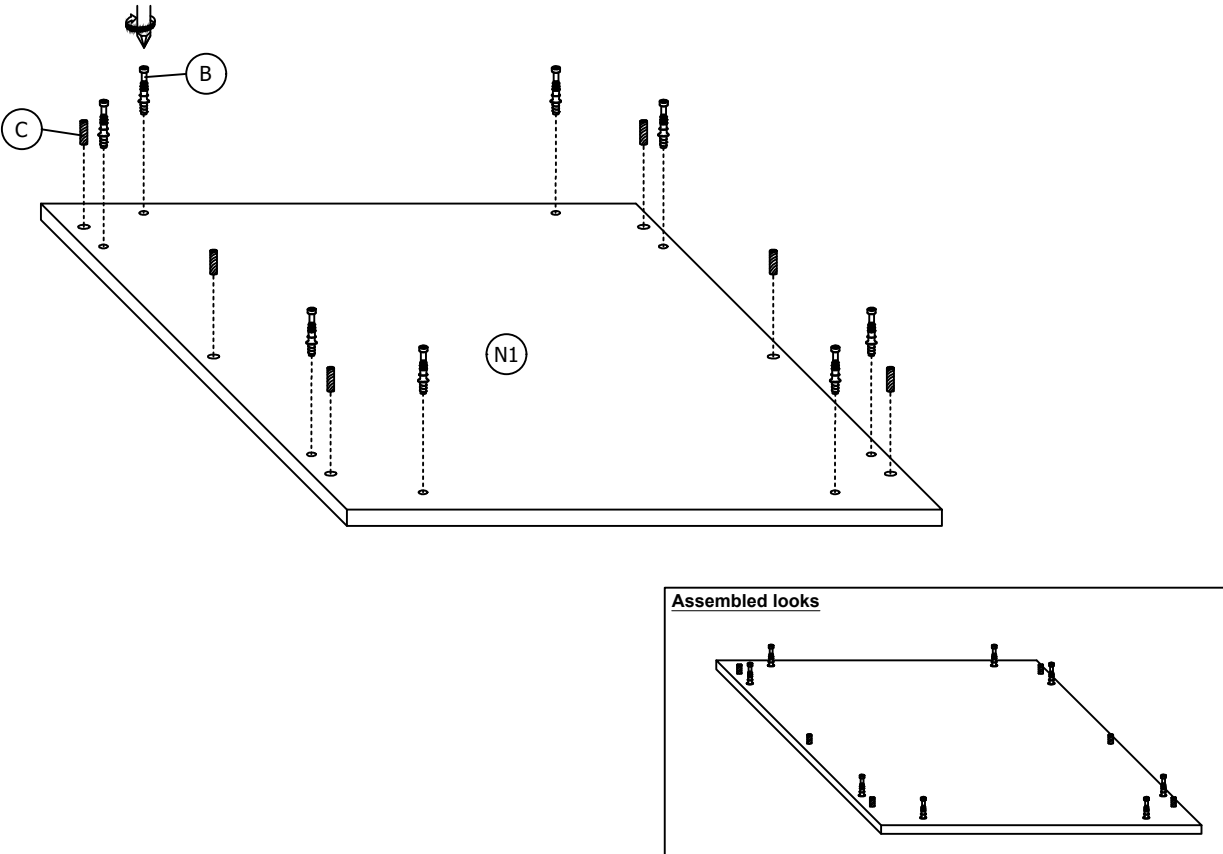
STEP 3

Insert 4 pieces (A) and 2 pieces (C) to the (N4) as shown. This step needs to be **done twice**.



STEP 4

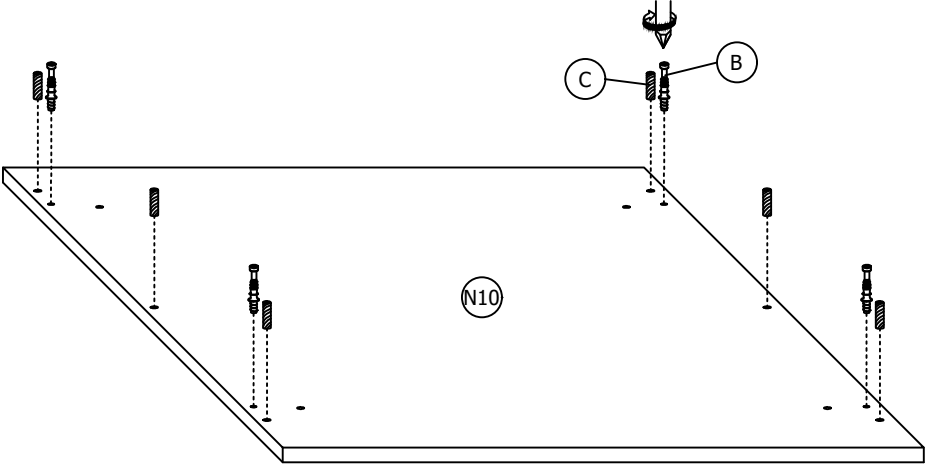
Insert 8 pieces (B) and 6 pieces (C) to the (N1) as shown.



ASSEMBLY INSTRUCTION

STEP 5

Insert 4 pieces (B) and 6 pieces (C) to the (N10) as shown.

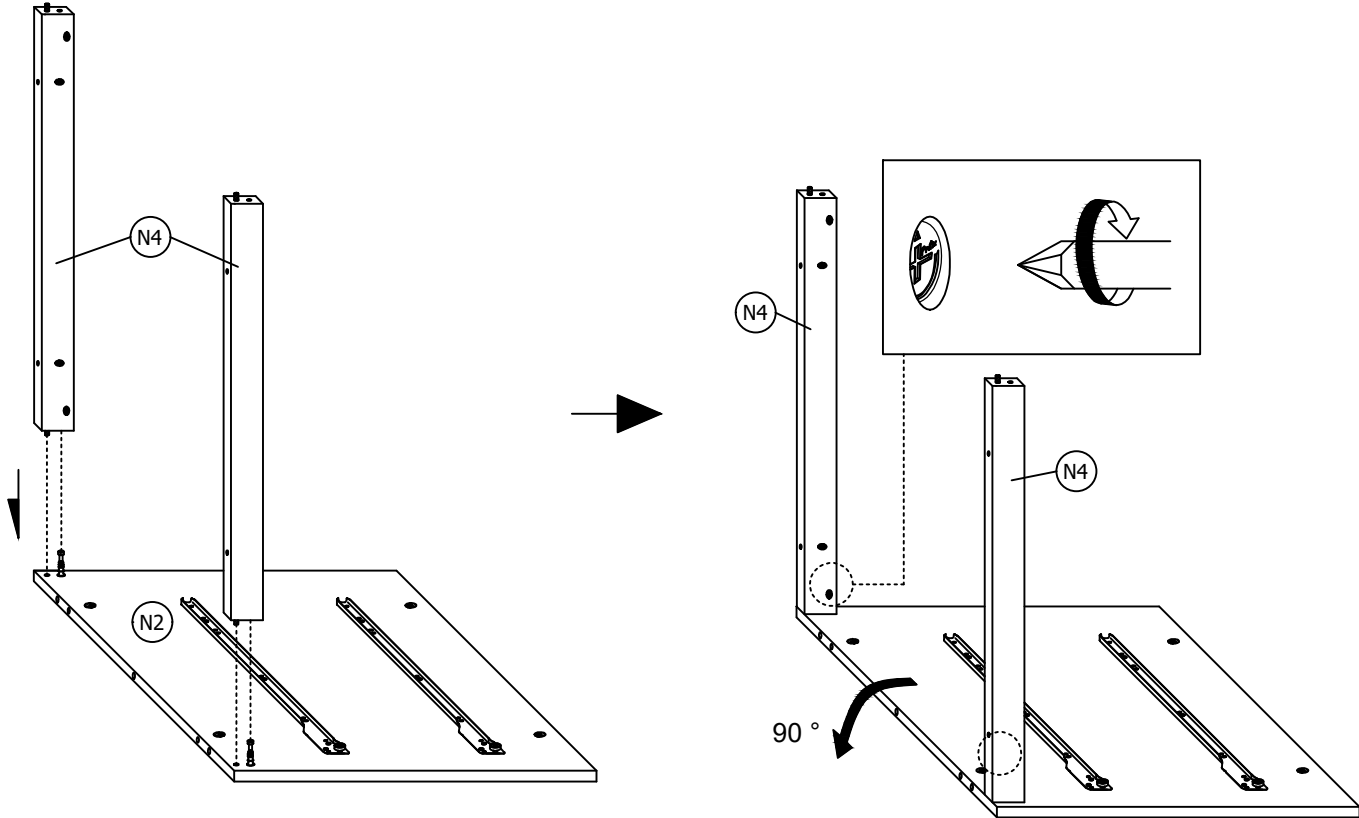


Assembled looks



STEP 6

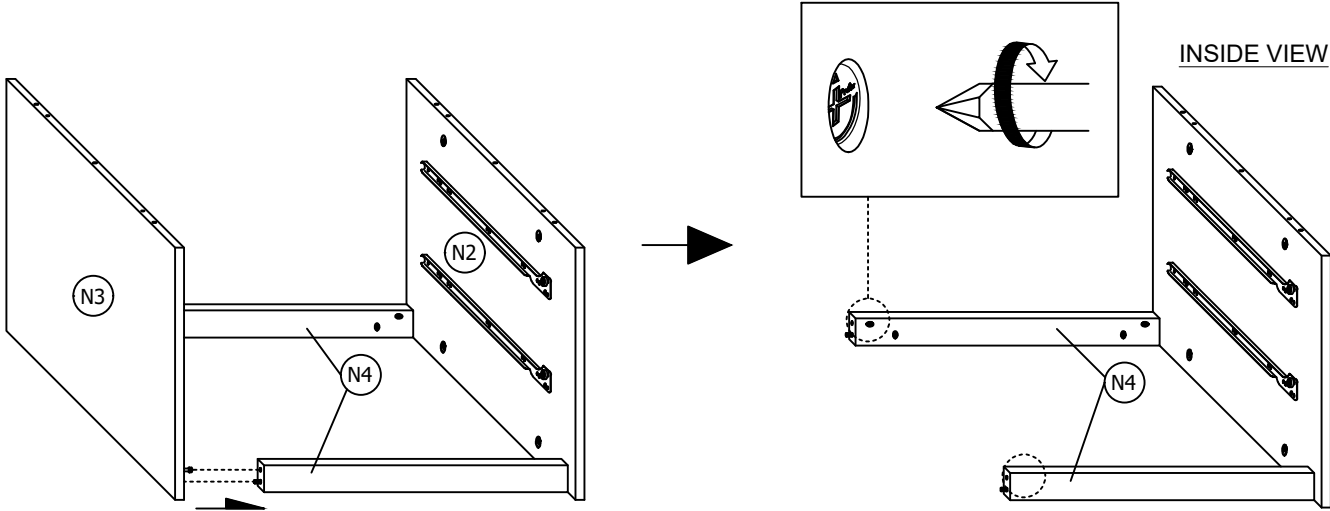
Combine the (N4) to the (N2) and tighten the 2 pieces (A)-(pre insert in step 3) as shown.



ASSEMBLY INSTRUCTION

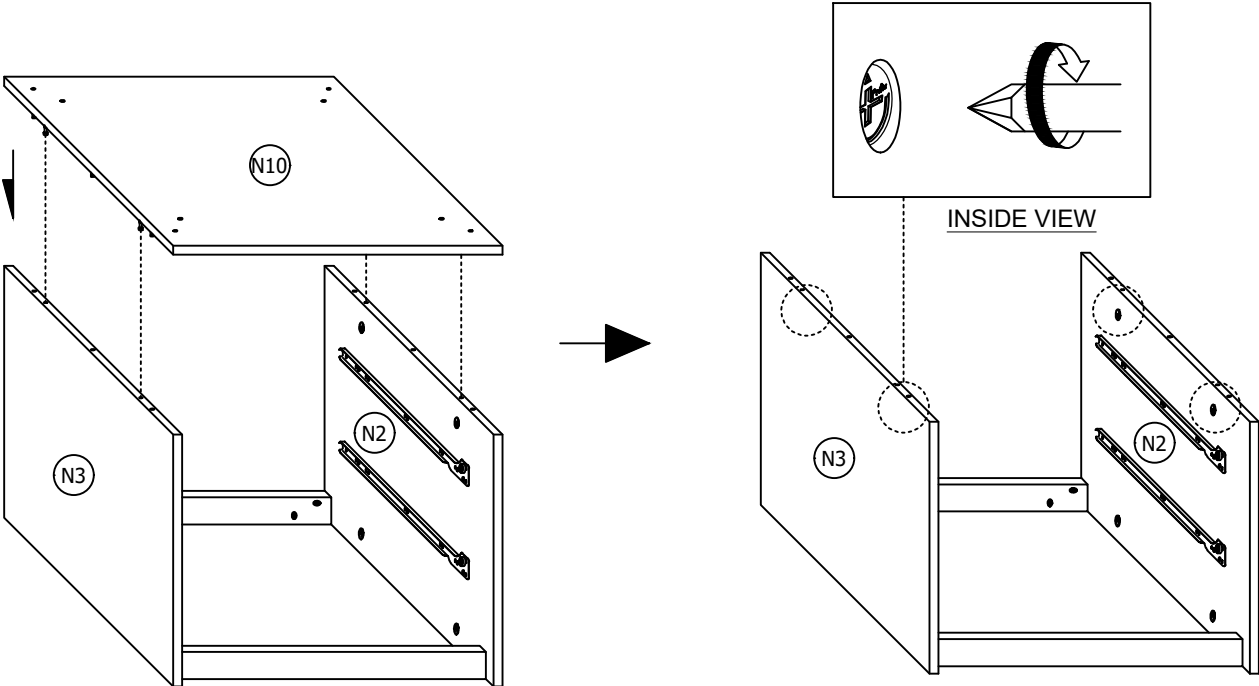
STEP 7

Combine the (N3) to the (N4) and tighten the another 2 pieces (A)-(pre insert in step 3) as shown.



STEP 8

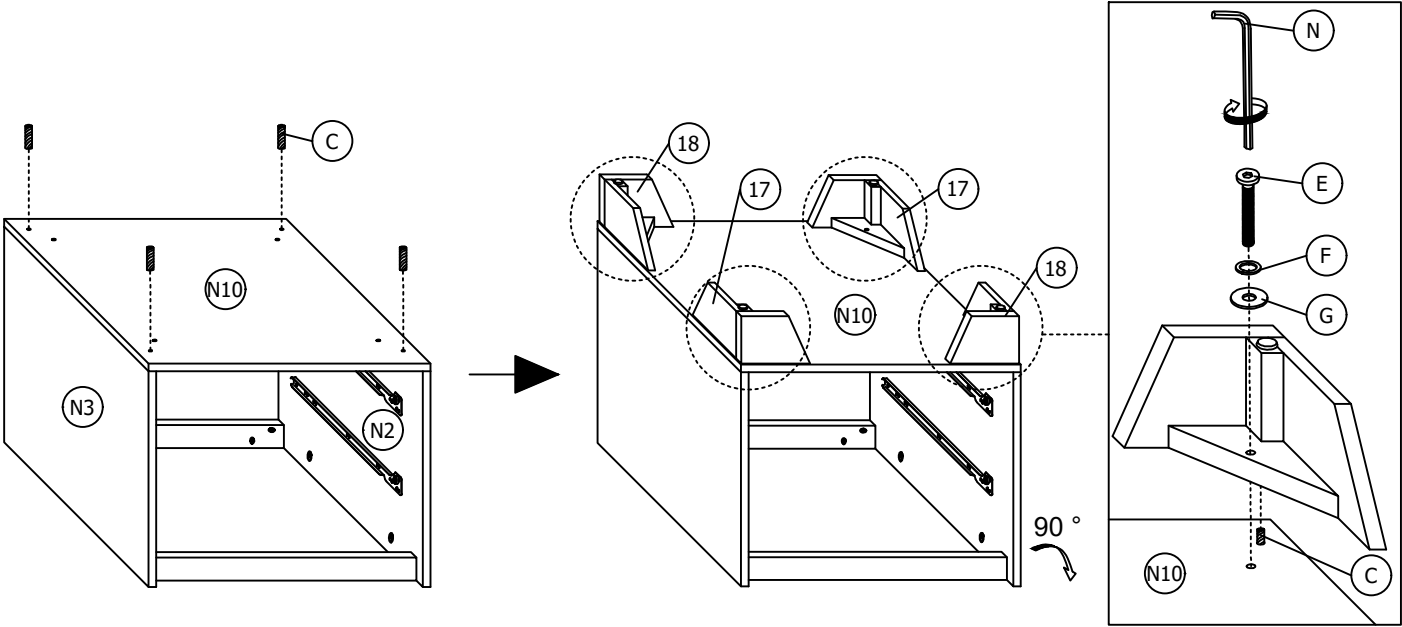
Combine the (N10) to the (N2),(N3) then tighten the 4 pieces (A)-(pre insert in step 1 and 2) as shown.



ASSEMBLY INSTRUCTION

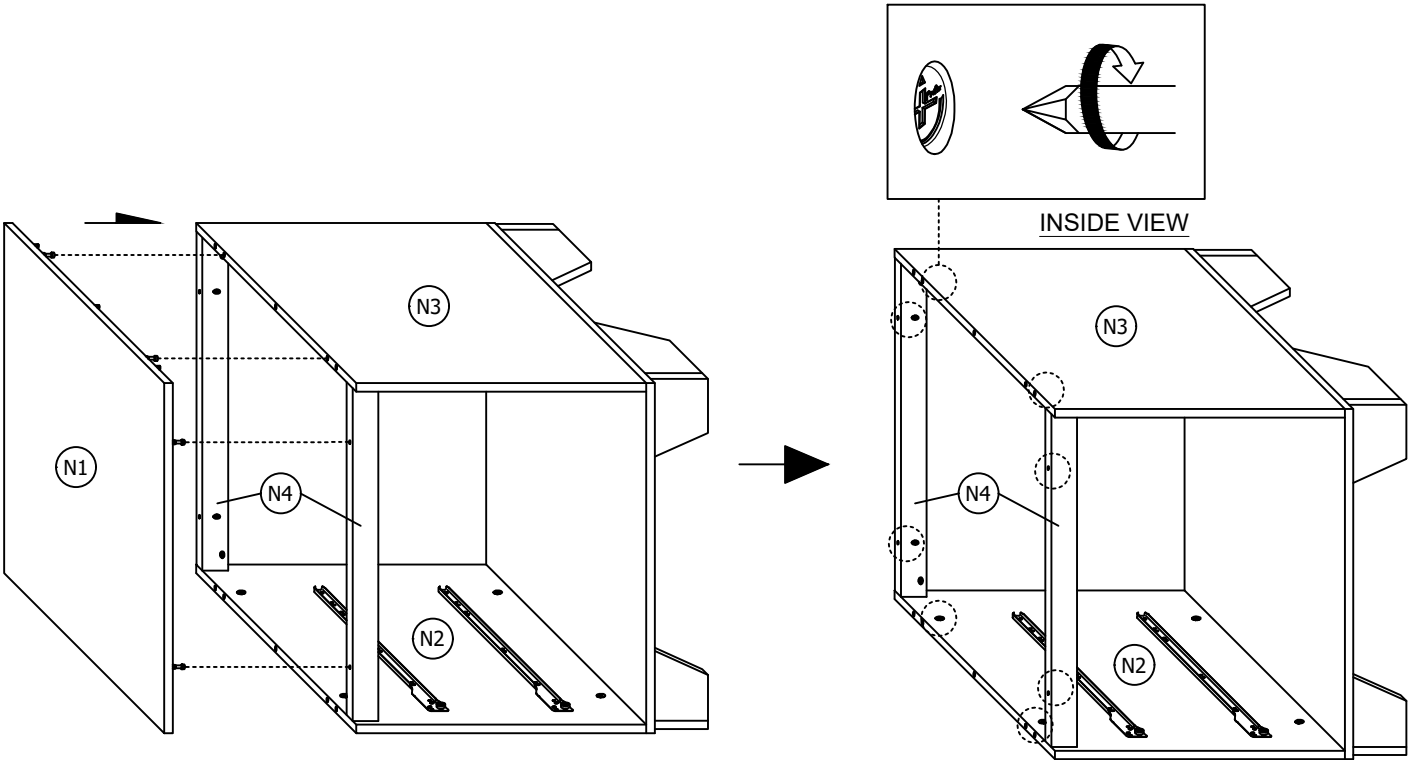
STEP 9

Insert 4 pieces (C),(E),(F) and (G) to combine the (17) and (18) to the (N10) as shown.



STEP 10

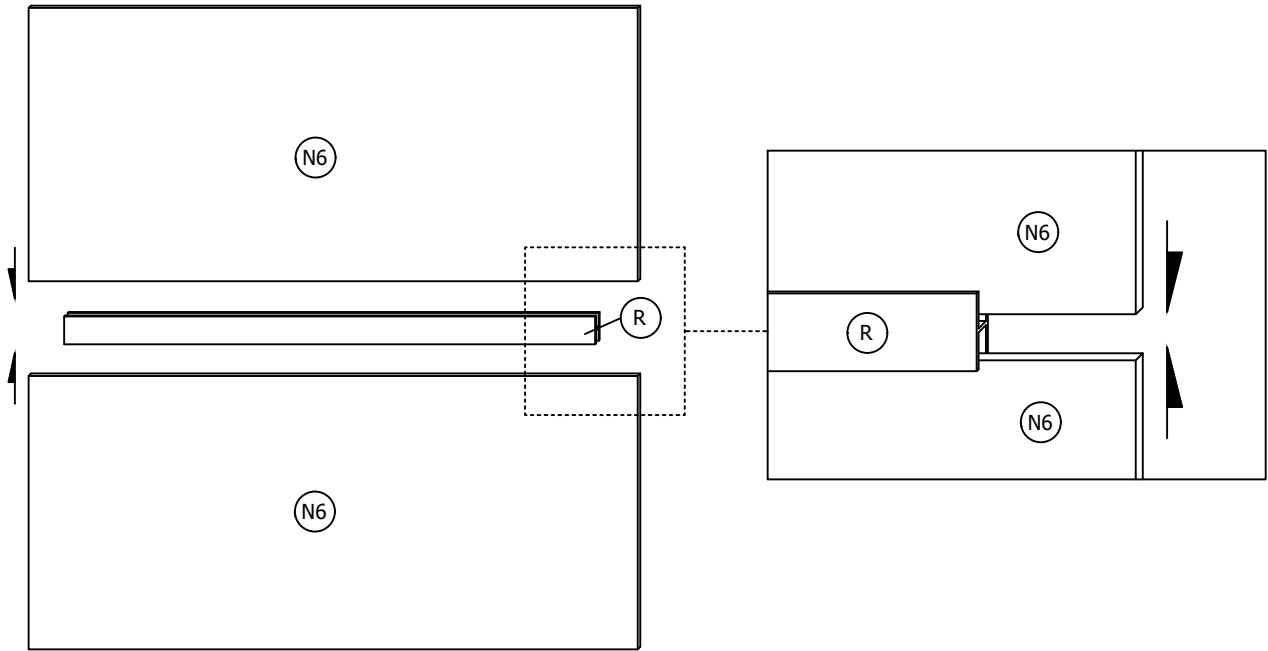
Combine the (N1) to the frame then tighten the remaining 8 pieces (A)-(pre insert in step 1 to 3) as shown.



ASSEMBLY INSTRUCTION

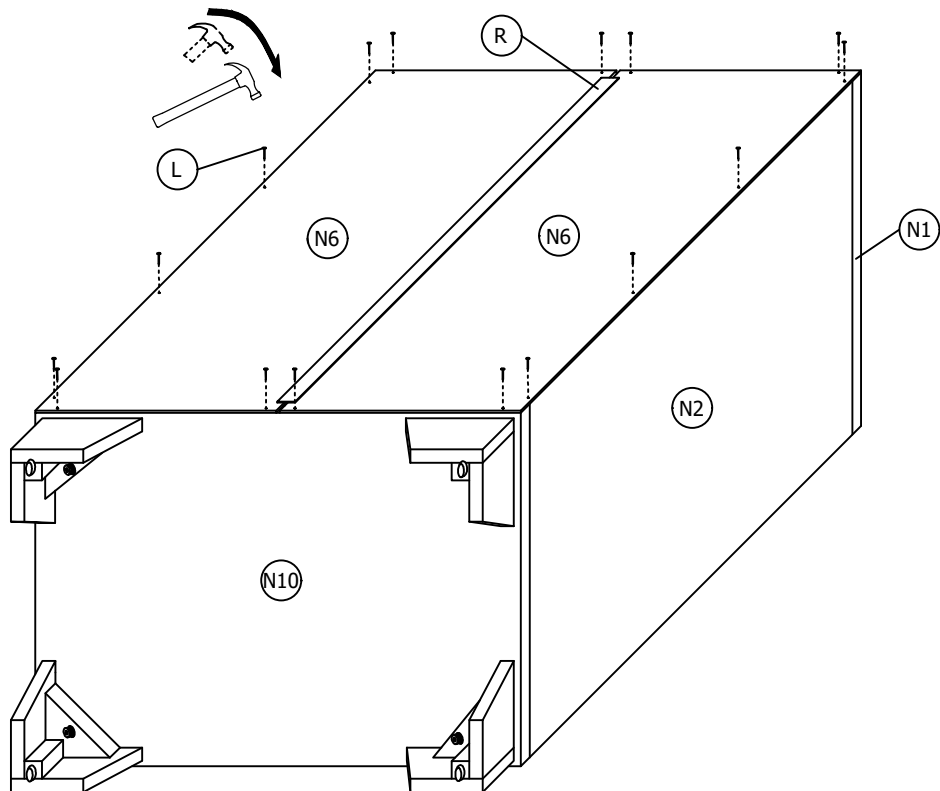
STEP 11

Put the (N6) to the gap of (R) as shown. Direction of the side with colored paper must be the same.



STEP 12

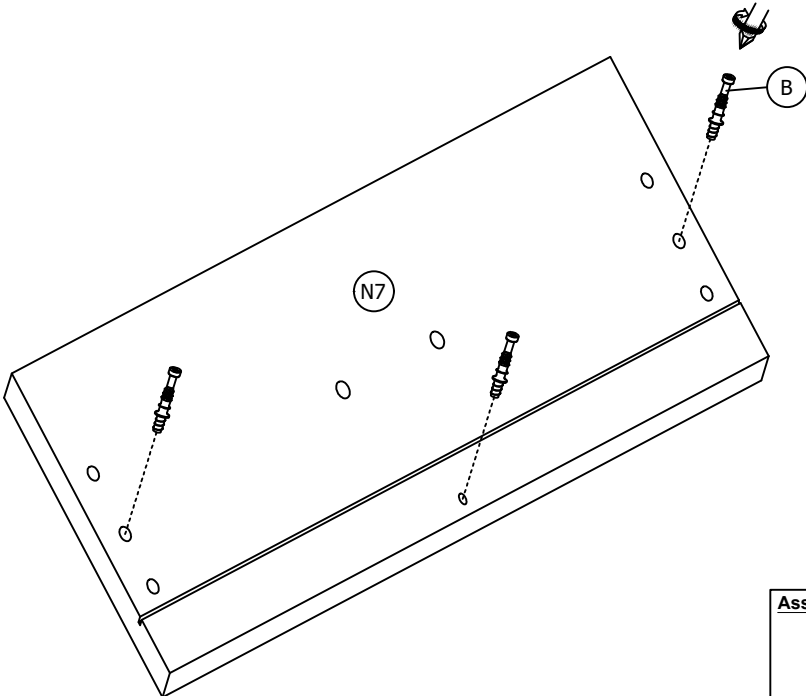
Insert the 16 pieces (L) to fix the (N6) as shown. Colored paper face to outside.
To prevent blocking (N1) and (N10), make sure the (R) at the middle of (N6), do not over high or lower.



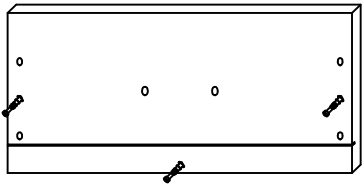
ASSEMBLY INSTRUCTION

STEP 13

Insert 3 pieces (B) to the (N7) as shown. This step needs to be **done twice**.

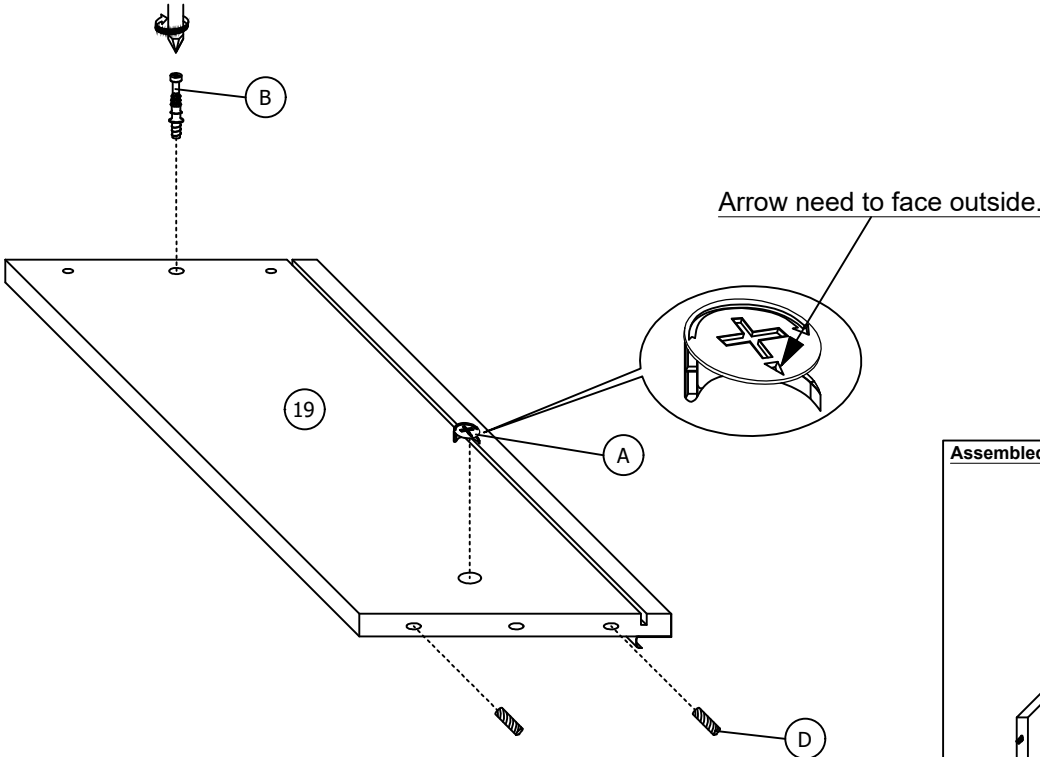


Assembled become like this

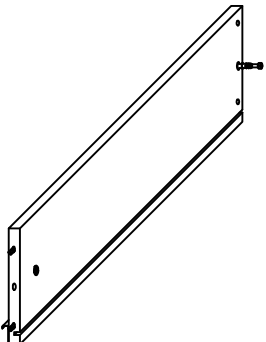


STEP 14

Insert 1 piece (A), (B) and 2 pieces (D) to (19) as shown. This step needs to be **done twice**.



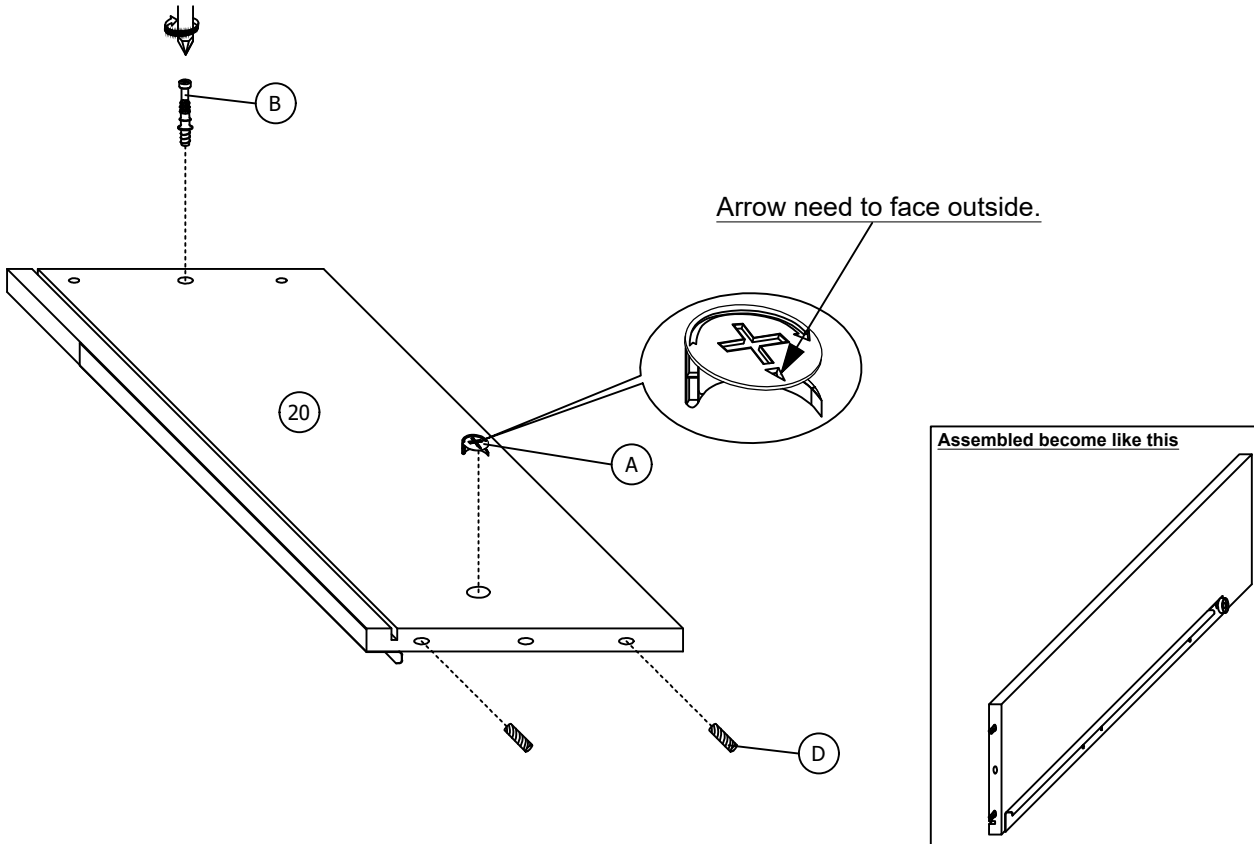
Assembled become like this



ASSEMBLY INSTRUCTION

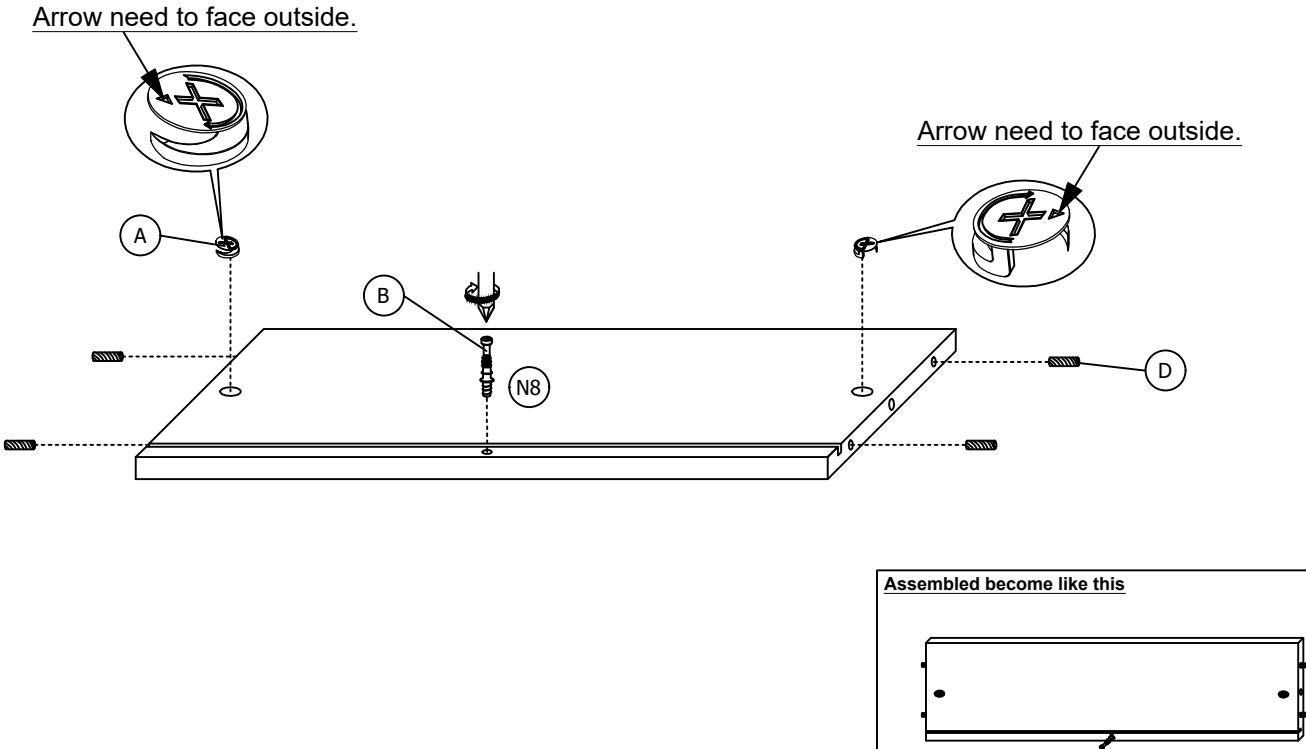
STEP 15

Insert 1 piece (A),(B) and 2 pieces (D) to (20) as shown.This step needs to be **done twice**.



STEP 16

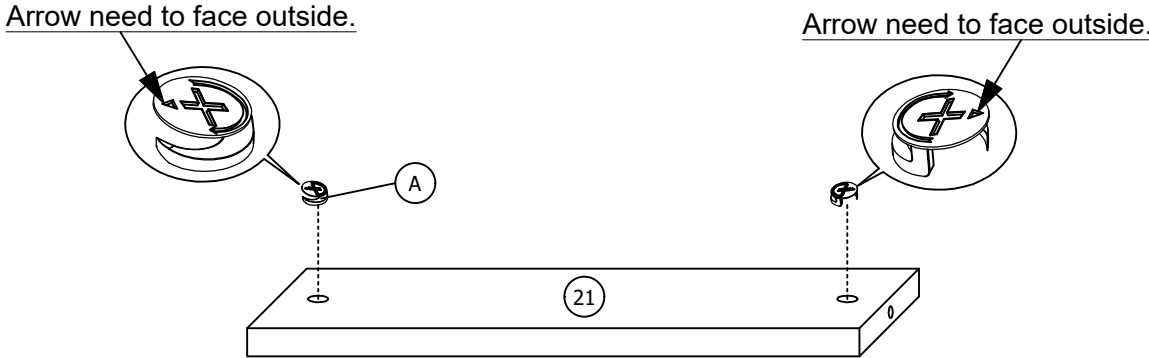
Insert 2 pieces (A) , 1 piece (B) and 4 pieces (D) to (N8) as shown.This step needs to be **done twice**.



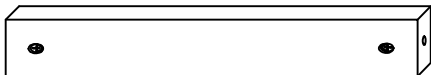
ASSEMBLY INSTRUCTION

STEP 17

Insert 2 pieces (A) to (21) as shown. This step needs to be **done twice**.

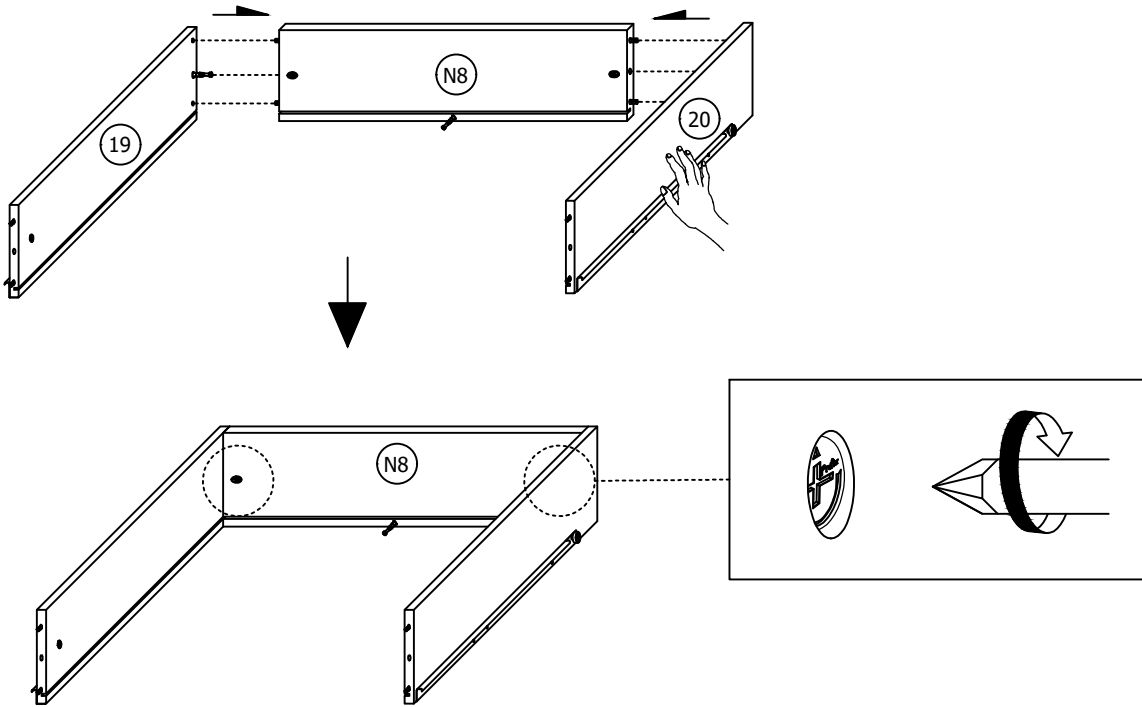


Assembled become like this



STEP 18

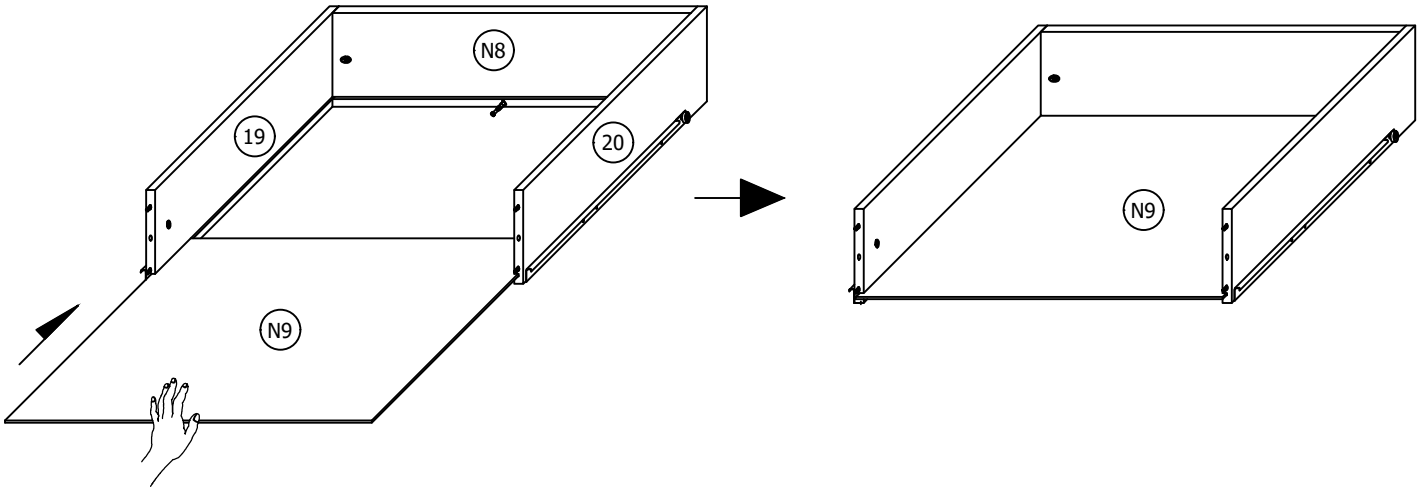
Combine the (19) and (20) to the (N8). Then tighten the 2 pieces (A)-(pre-insert in step 16) as shown. This step needs to be **done twice**.



ASSEMBLY INSTRUCTION

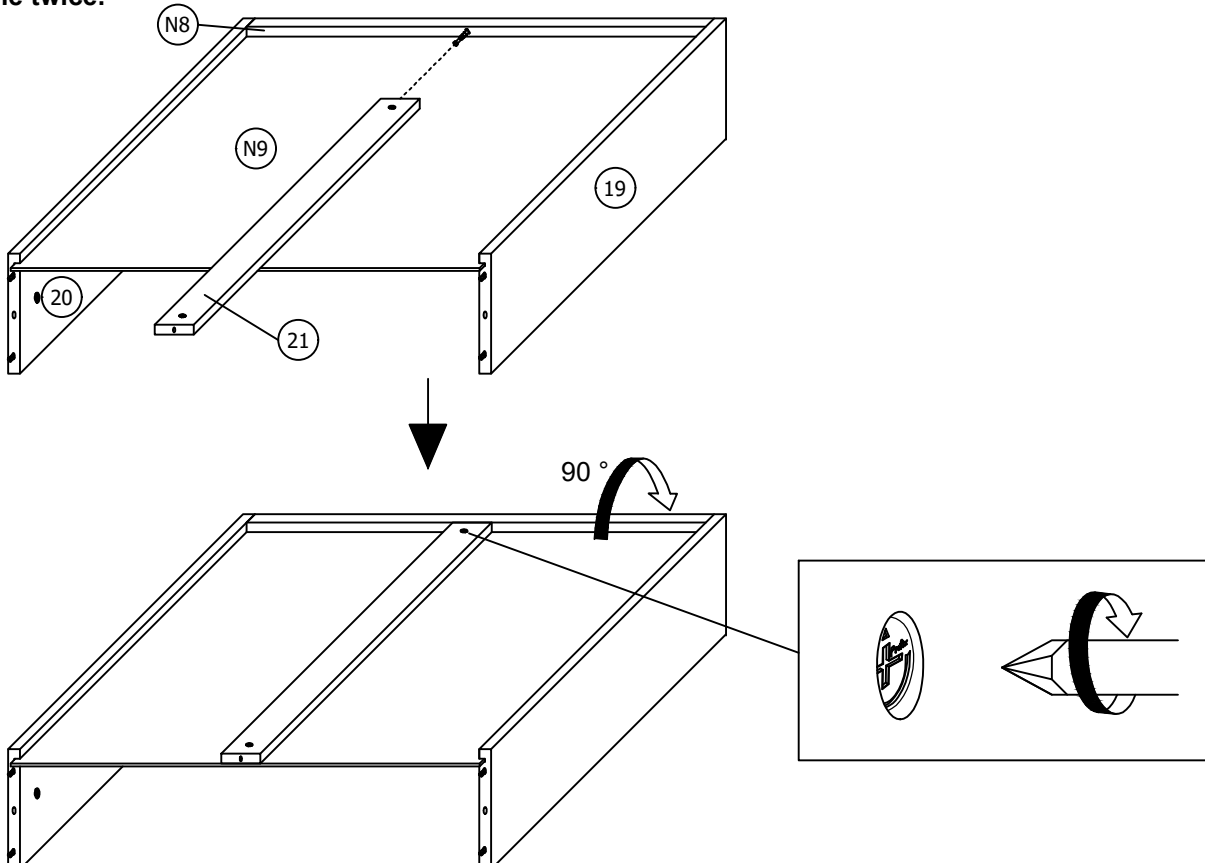
STEP 19

Put the (N9) into the gap of (19),(20) and (N8) as shown. This step needs to be **done twice**.



STEP 20

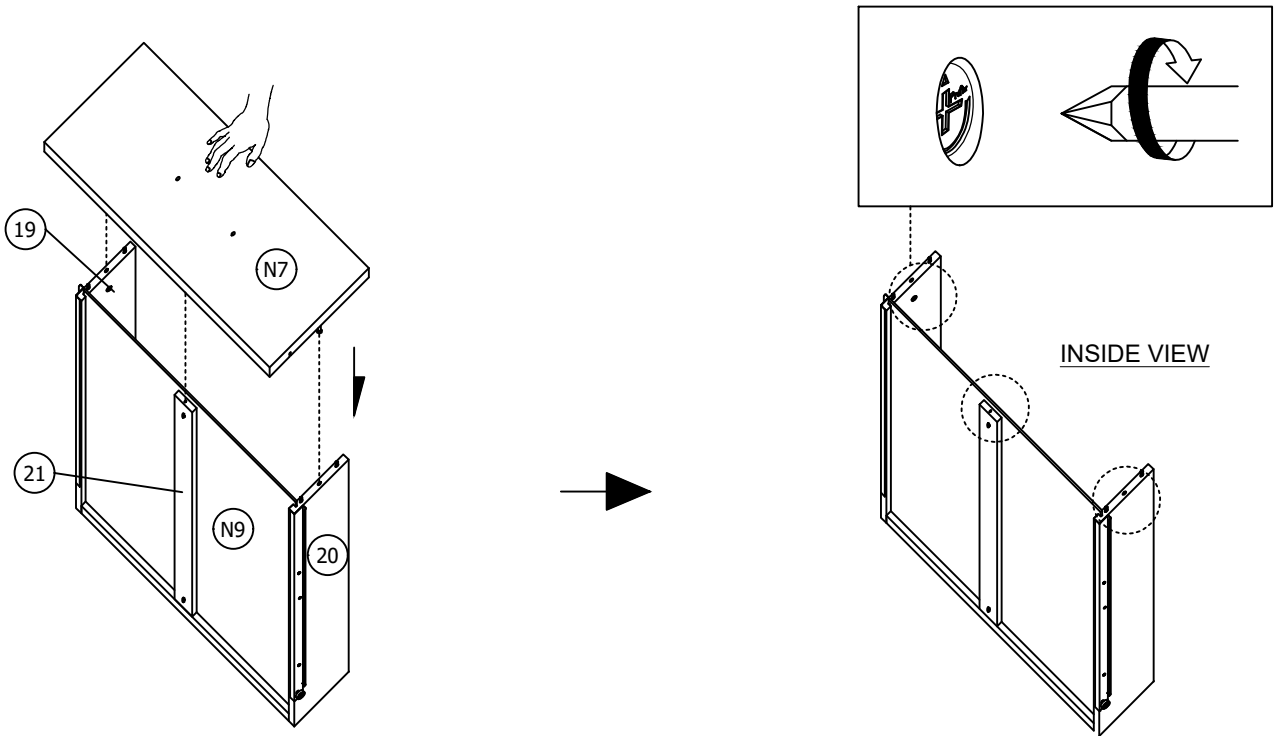
Combine the (21) to the (N8) then tighten the 1 piece (A)-(pre-insert in step 17) as shown. This step needs to be **done twice**.



ASSEMBLY INSTRUCTION

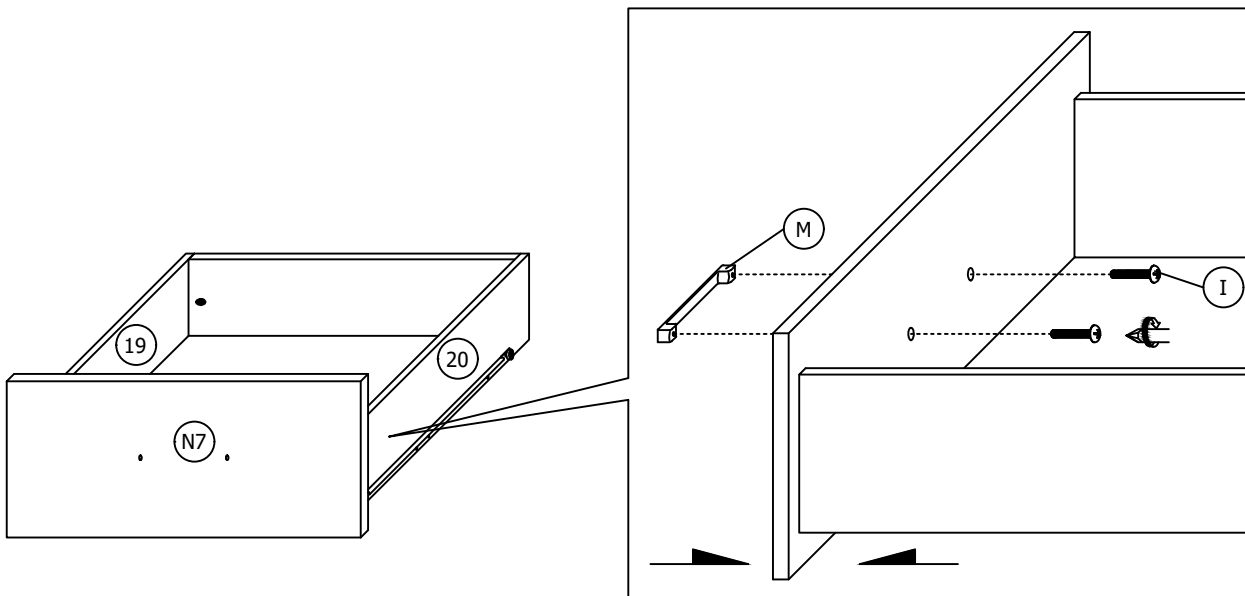
STEP 21

Combine the (N7) to the drawer frame. Then tighten the 3 pieces (A)-(pre-insert in step 14,15 and 17) as shown. This step needs to be **done twice**.



STEP 22

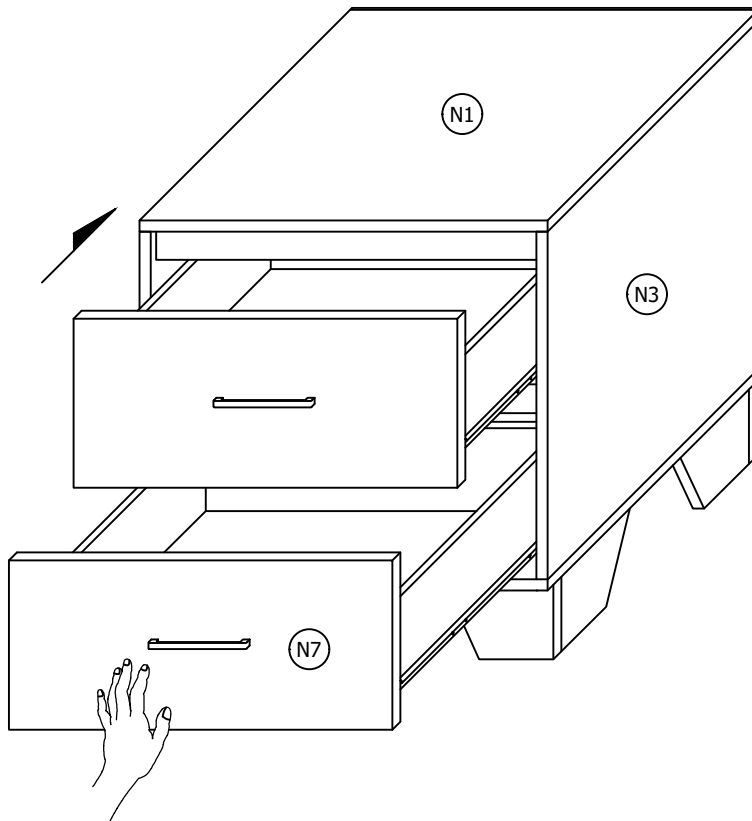
Insert 2 pieces (I) fix the (M) as shown. This step needs to be **done twice**.



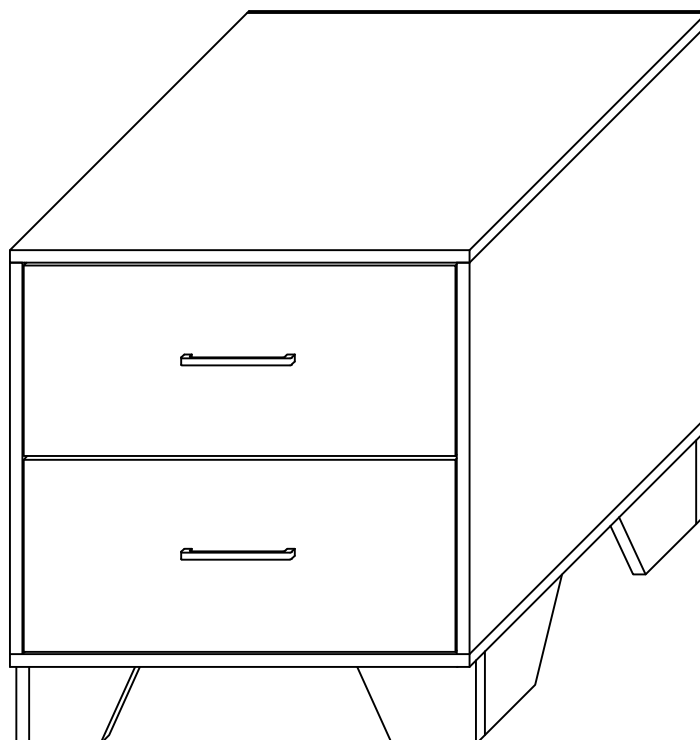
ASSEMBLY INSTRUCTION

STEP 23

Align the position then push the 2 pieces drawer to inside exactly by your hand as shown.



STEP 24



ASSEMBLY COMPLETED