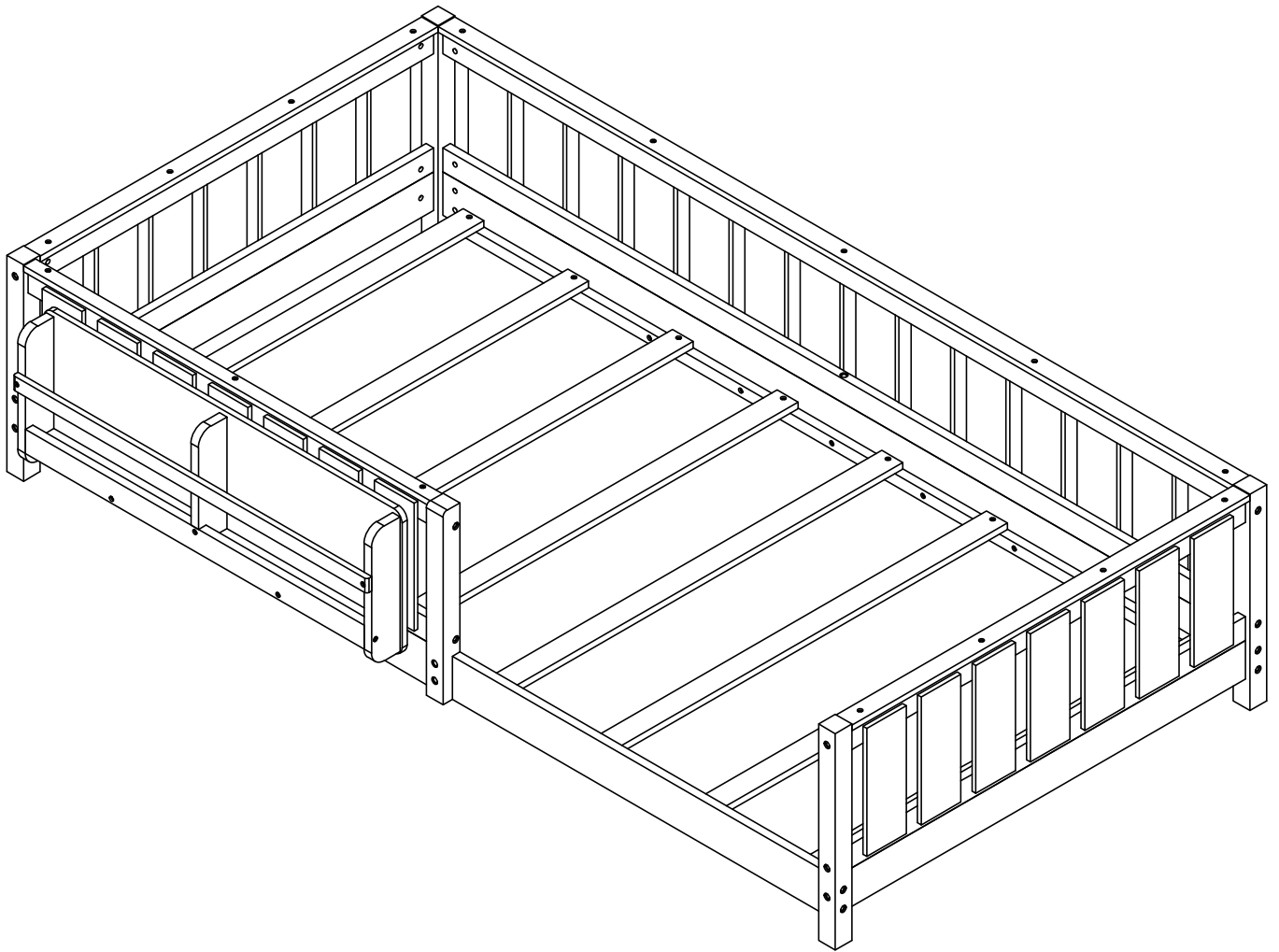


# ASSEMBLY INSTRUCTION

SKU CODE (BW00504)



Bed type

Twin Standard

Length

75"

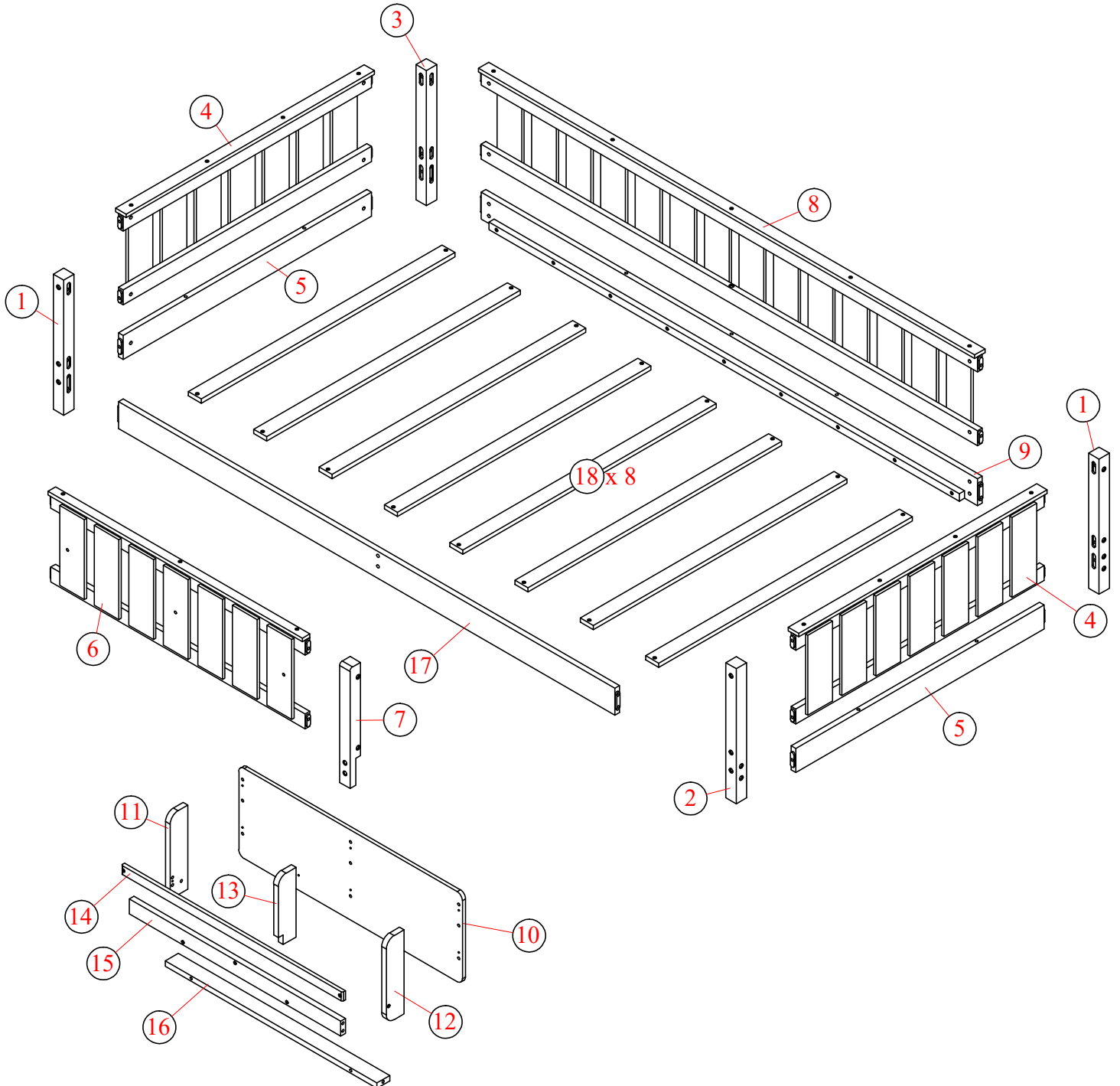
Width

38"

Thickness

6" max

# Detail View



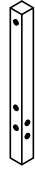
# Part List (BW00504)

1



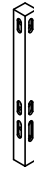
Leg : 2pcs

2



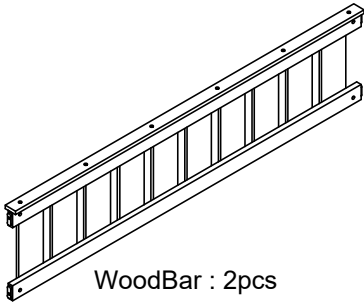
Leg : 1pc

3



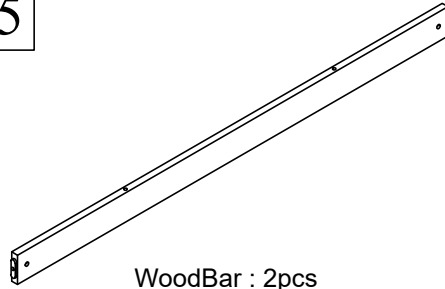
Leg : 1pc

4



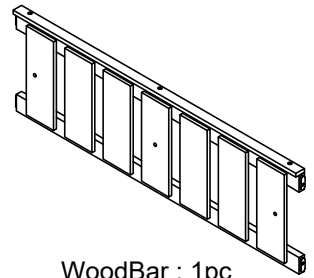
WoodBar : 2pcs

5



WoodBar : 2pcs

6



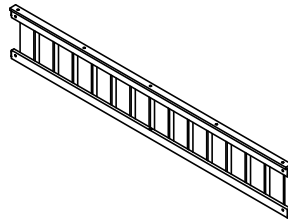
WoodBar : 1pc

7



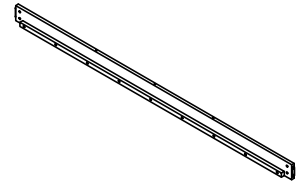
WoodBar : 1pc

8



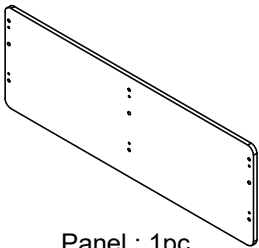
WoodBar : 1pc

9



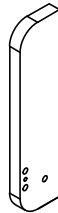
Side Rail : 1pc

10



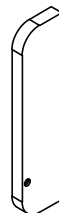
Panel : 1pc

11



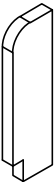
WoodBar : 1pc

12



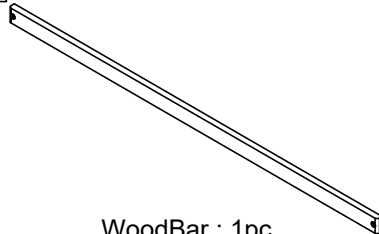
WoodBar : 1pc

13



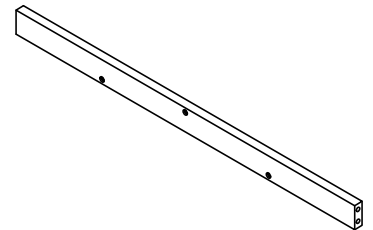
WoodBar : 1pc

14



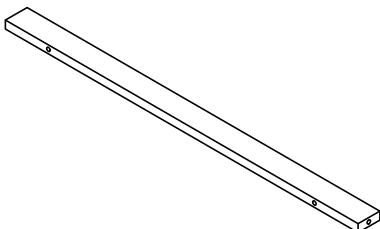
WoodBar : 1pc

15



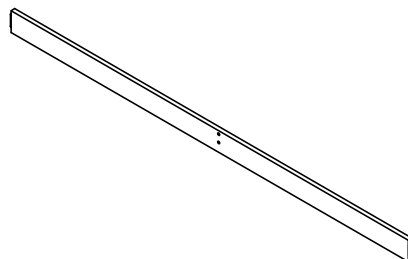
WoodBar : 1pc

16



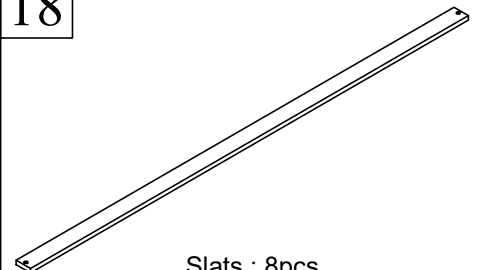
WoodBar : 1pc

17



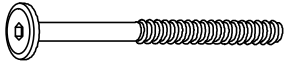


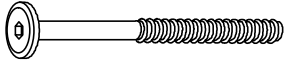


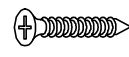


Side Rail : 1pc

18

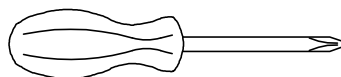


Slats : 8pcs



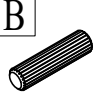
# Hardware List (BW00504)

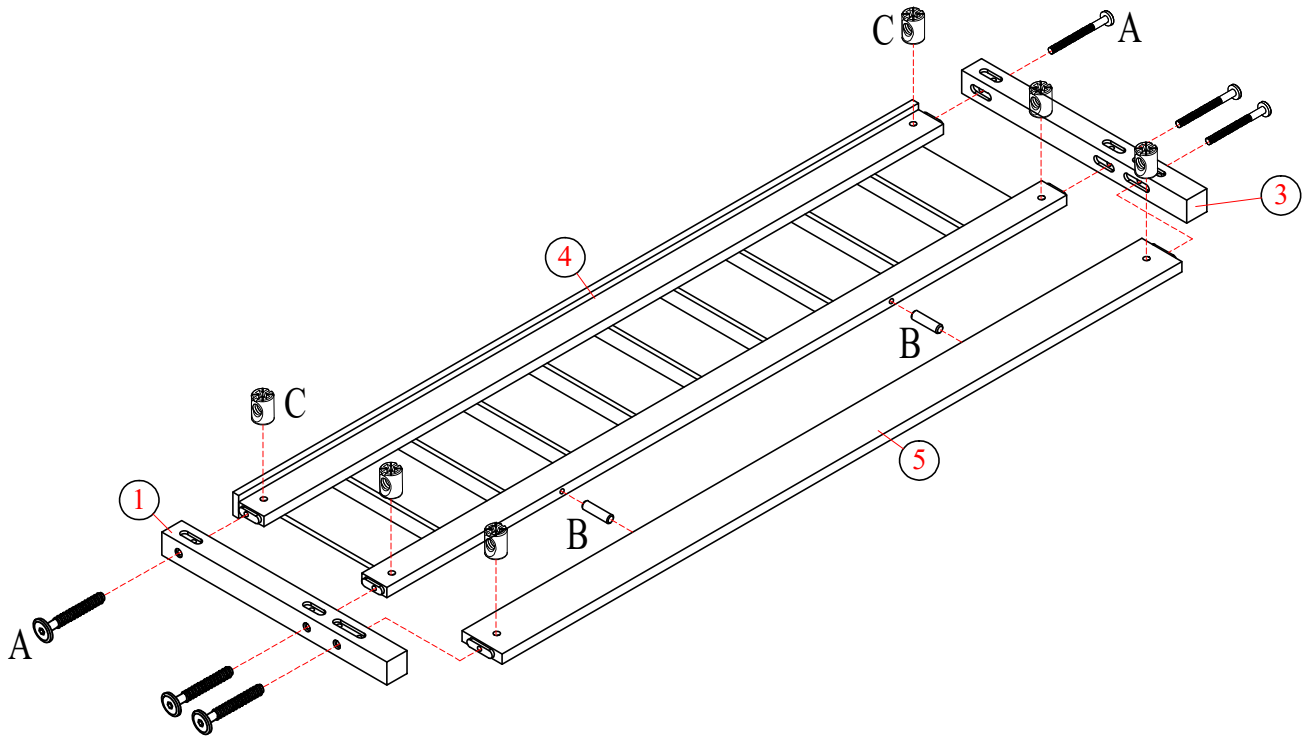
<p><b>A</b></p>  <p style="text-align: center;">Ø1/4" x 80mm</p> <p style="text-align: center;">Hex-head bolt (28pcs)</p>	<p><b>B</b></p>  <p style="text-align: center;">Ø8 x 30mm</p> <p style="text-align: center;">Wood dowel (20pcs)</p>	<p><b>C</b></p>  <p style="text-align: center;">Ø1/4" x 13mm</p> <p style="text-align: center;">Horizontal-hole bolt (28pcs)</p>
<p><b>D</b></p>  <p style="text-align: center;">Ø1/4" x 60mm</p> <p style="text-align: center;">Hex-head bolt (1pc)</p>	<p><b>E</b></p>  <p style="text-align: center;">Ø1/4" x 30mm</p> <p style="text-align: center;">Hex-head bolt (2pcs)</p>	<p><b>F</b></p>  <p style="text-align: center;">Ø1/4" x 15mm</p> <p style="text-align: center;">Sleeve nuts (2pcs)</p>
<p><b>G</b></p>  <p style="text-align: center;">#4 x 30mm</p> <p style="text-align: center;">Screw (30pcs)</p>	<p><b>H</b></p>  <p style="text-align: center;">Ø1/4" x 20mm</p> <p style="text-align: center;">Hex-head bolt (3pcs)</p>	<p><b>I</b></p>  <p style="text-align: center;">K4mm</p> <p style="text-align: center;">Allen key (1pc)</p>

ASSEMBLY TOOLS REQUIRED ( NOT INCLUDED )



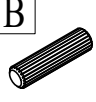


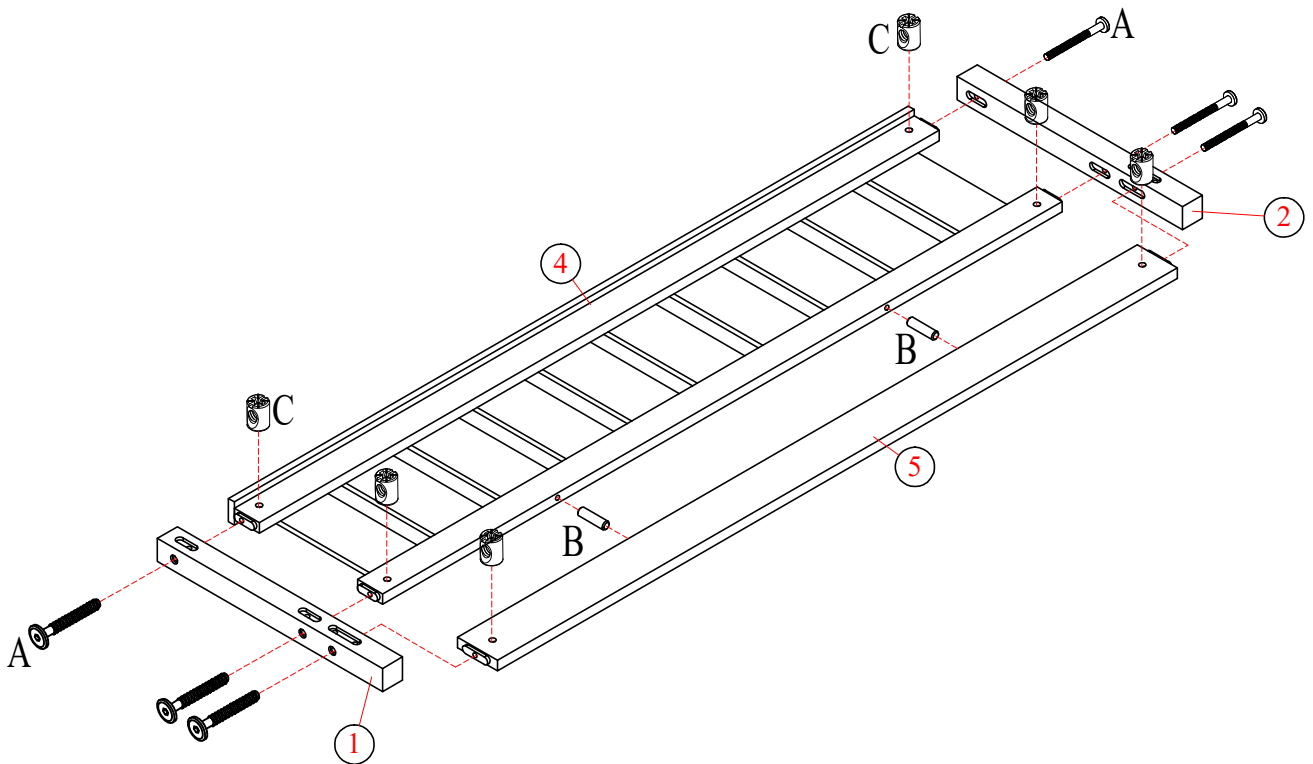
# STEP- 1

A	C	B
		
6PCS	6PCS	2PCS

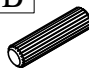



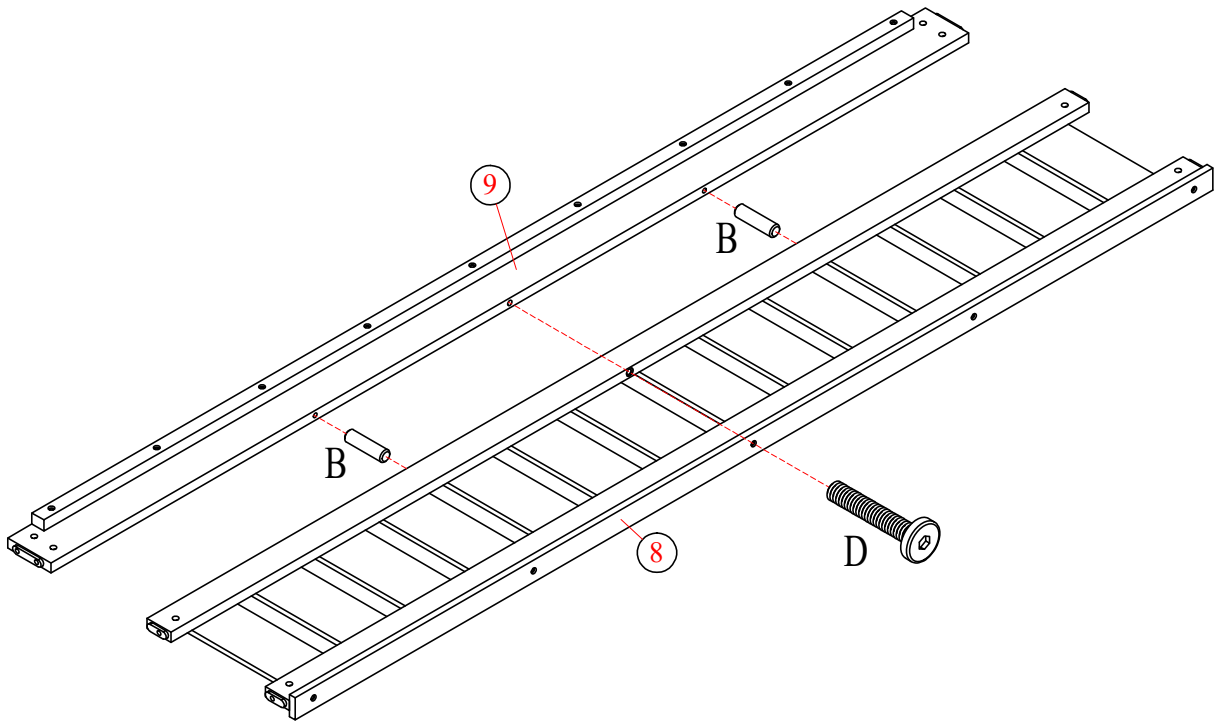
# STEP- 2

A	C	B
		
6PCS	6PCS	2PCS





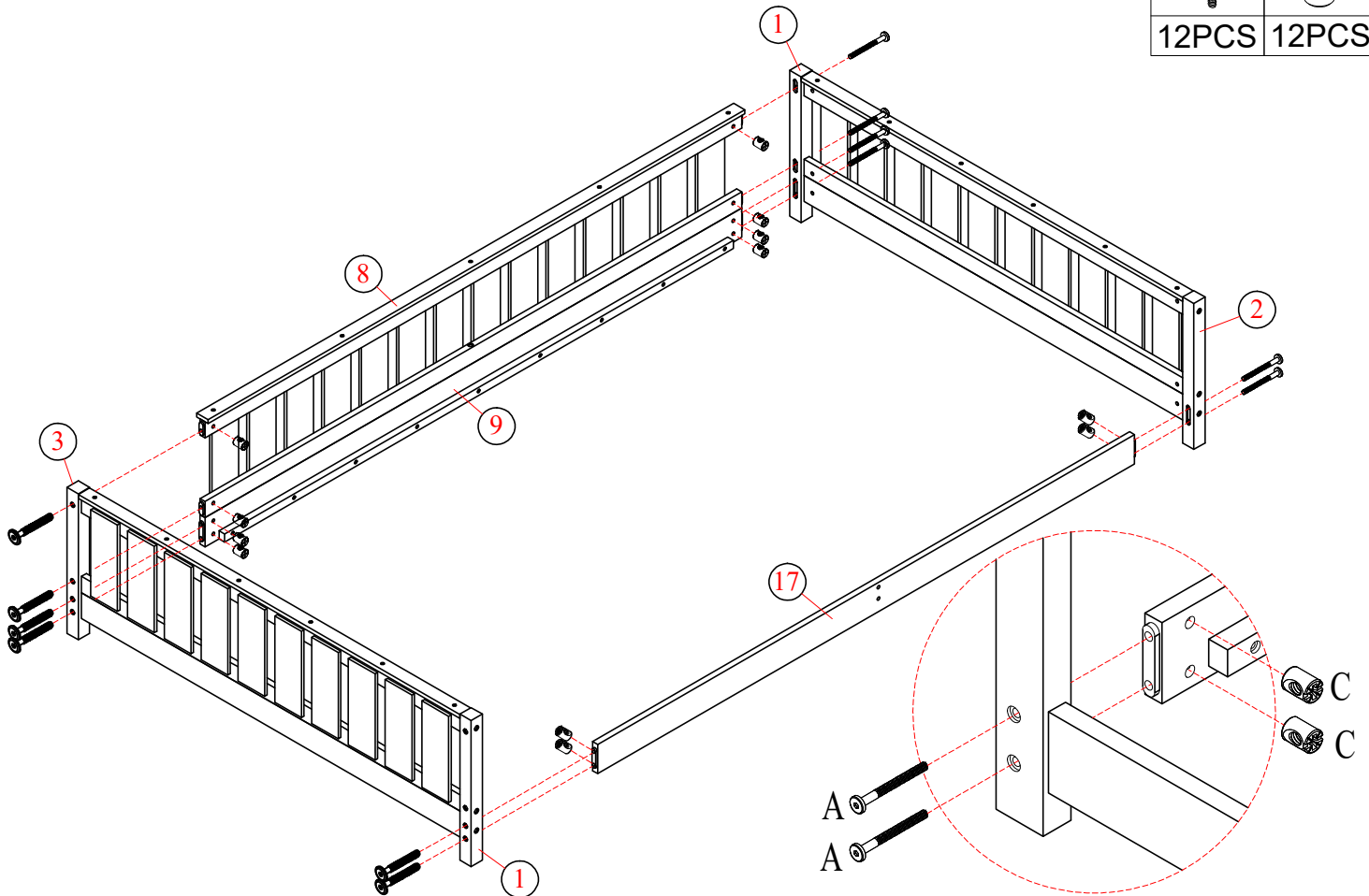
# STEP- 3

B		D	
2PCS		1PC	





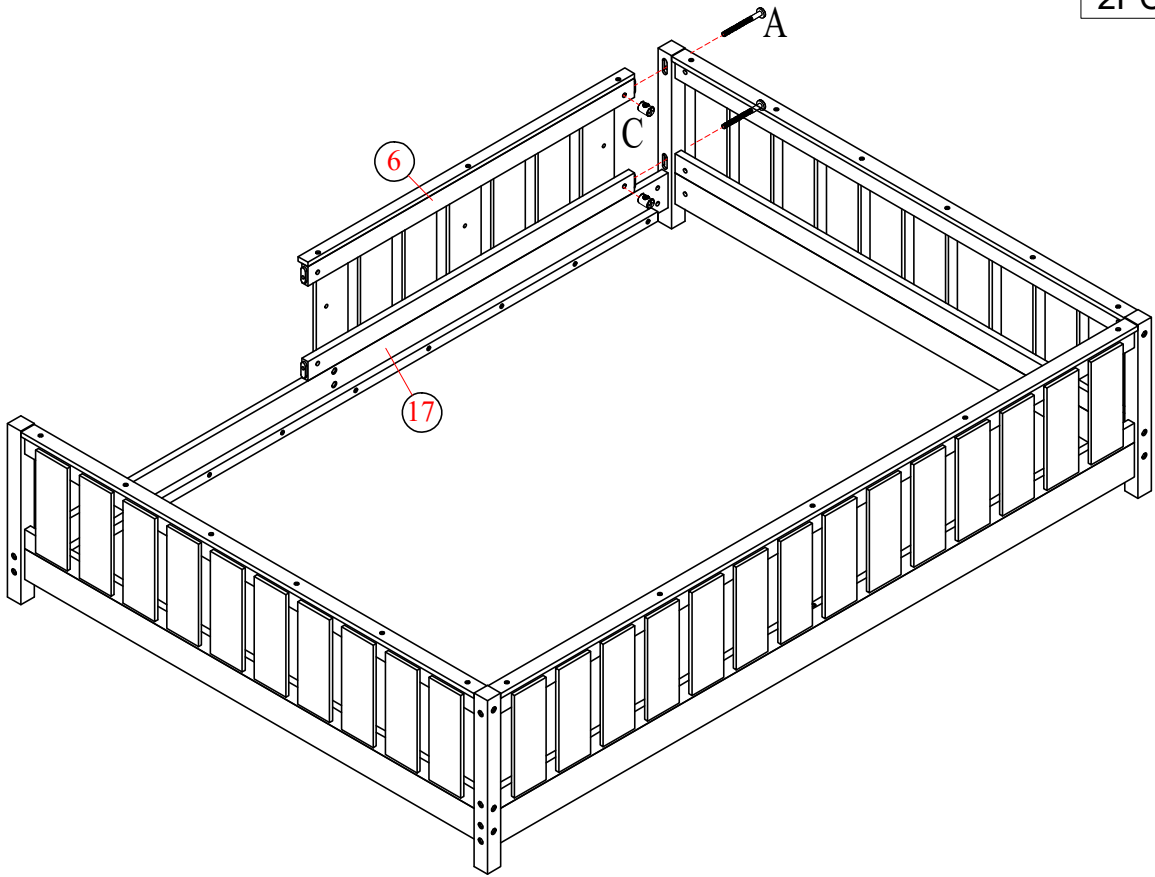
# STEP- 4

A		C	
12PCS		12PCS	





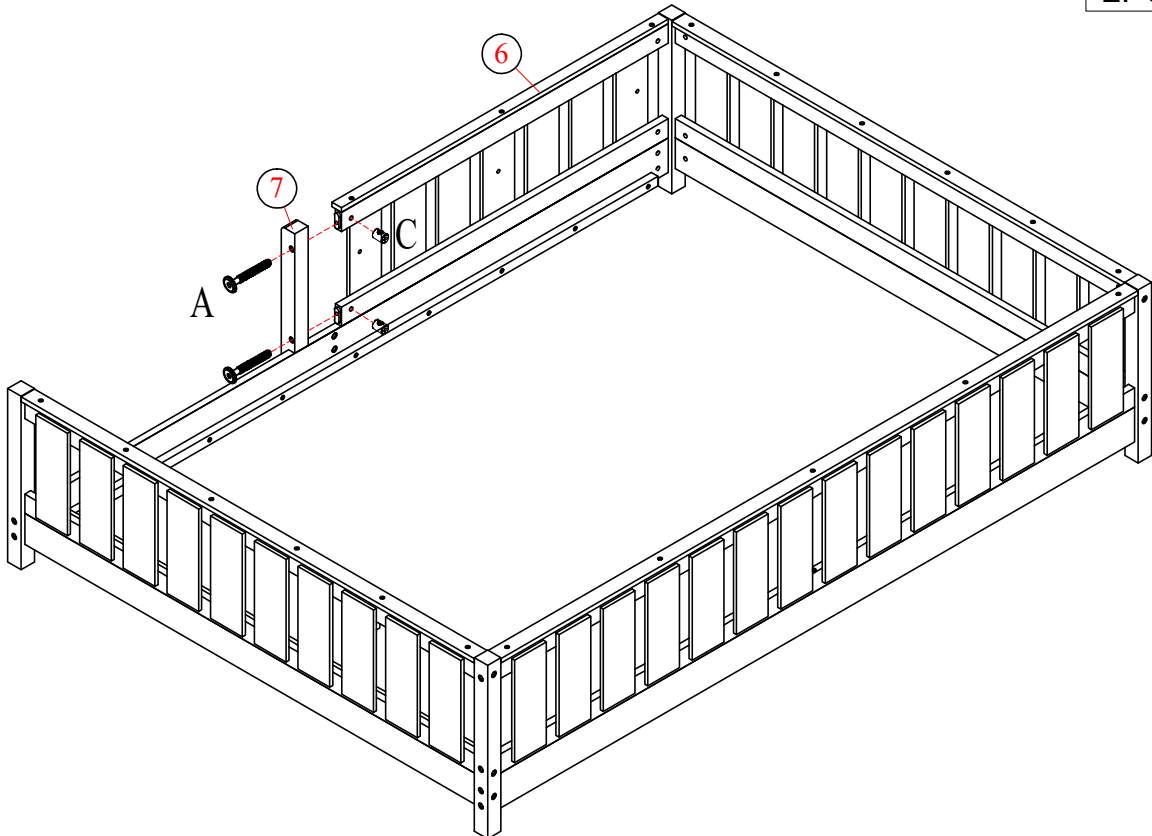
# STEP- 5

A		C	
	2PCS		2PCS





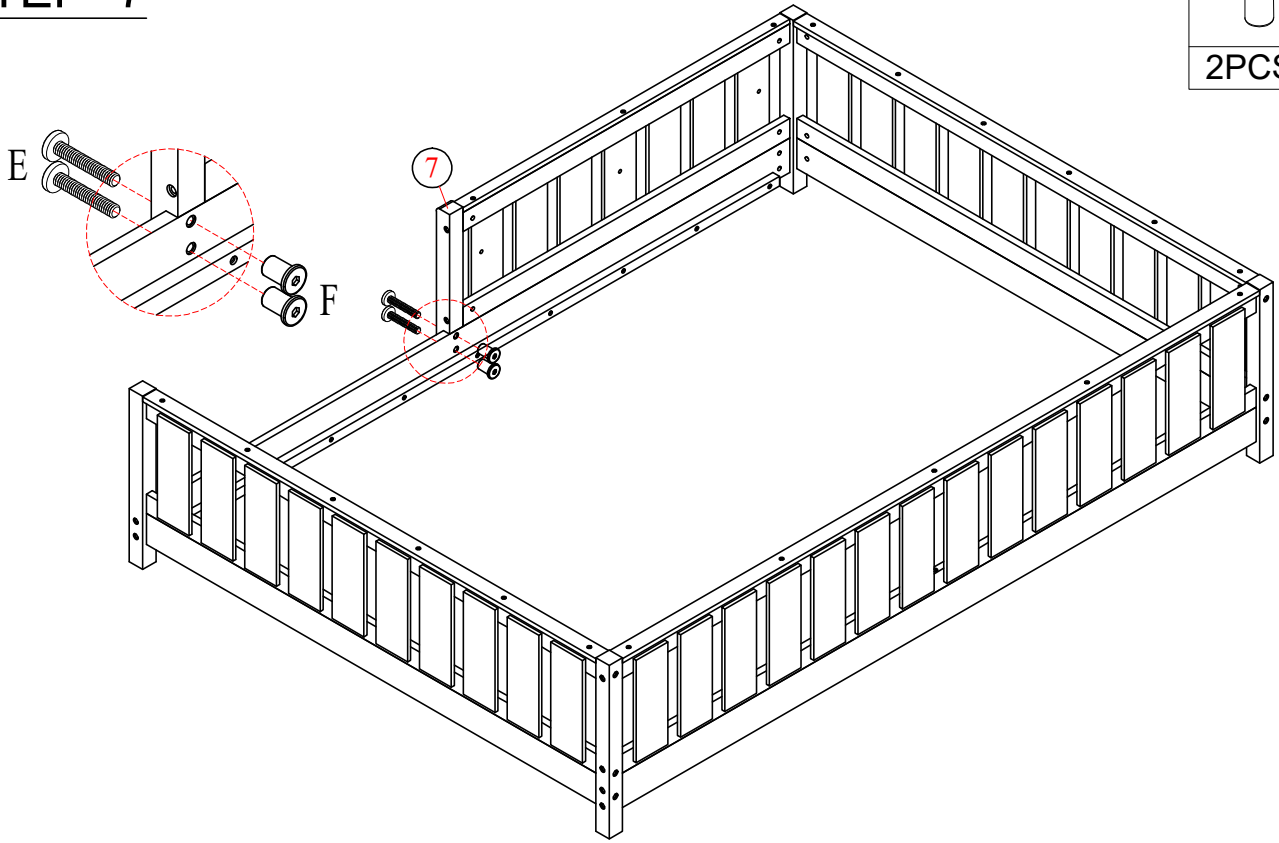
# STEP- 6

A		C	
	2PCS		2PCS




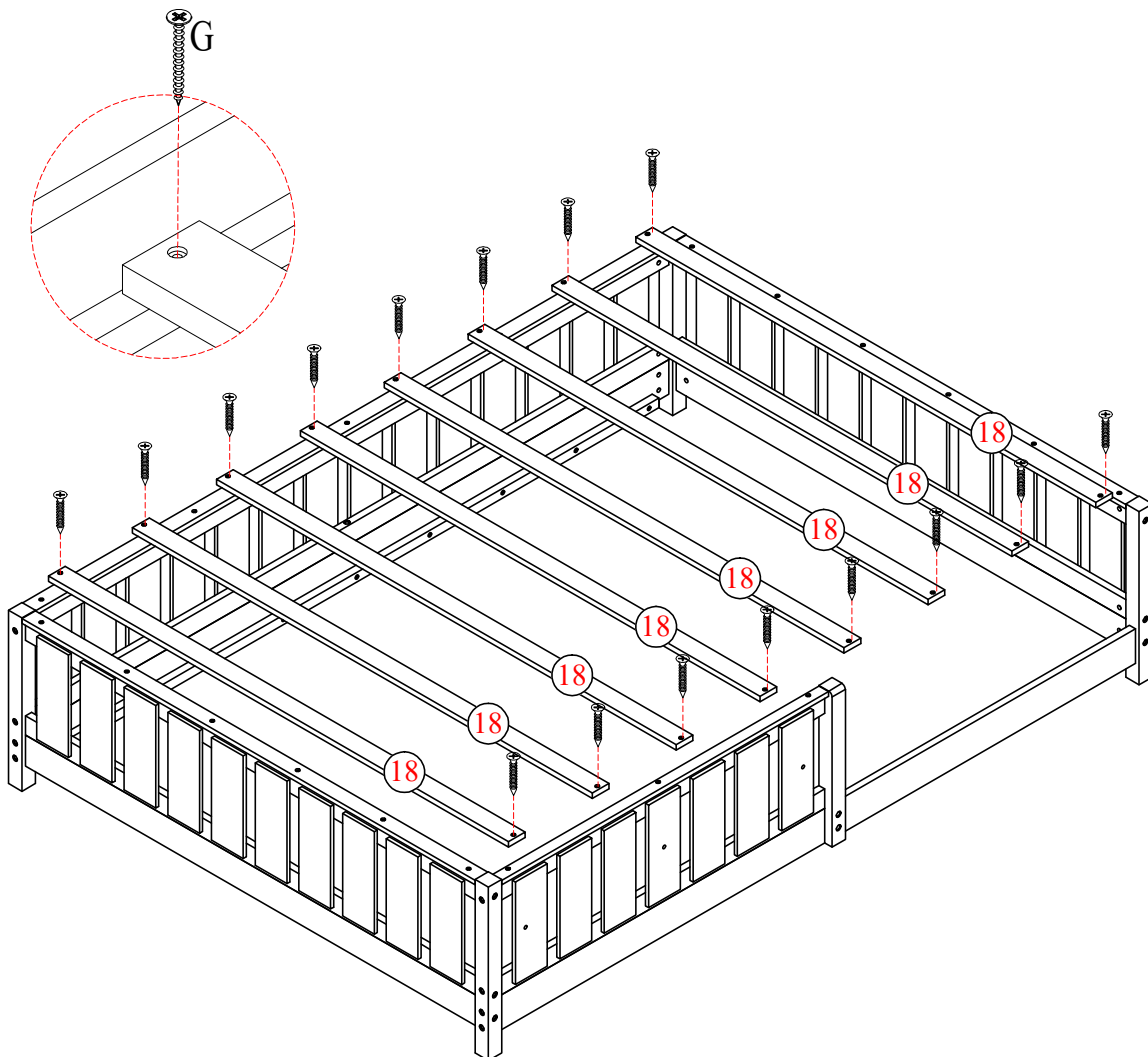
# STEP- 7

F	E
	
2PCS	2PCS

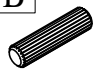



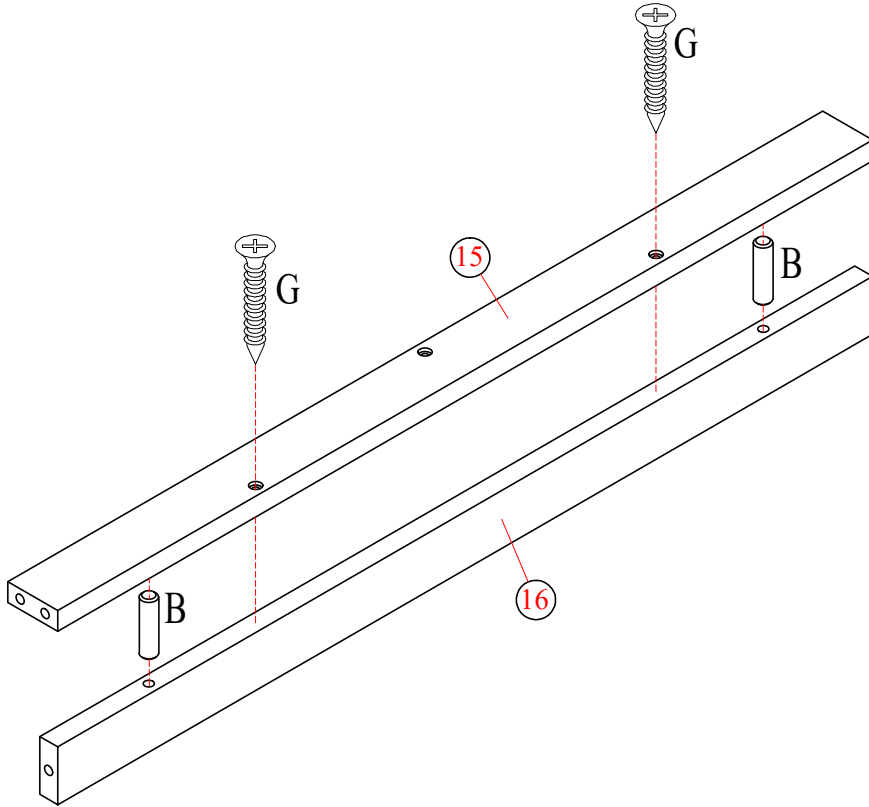
# STEP- 8

G

16PCS

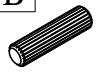



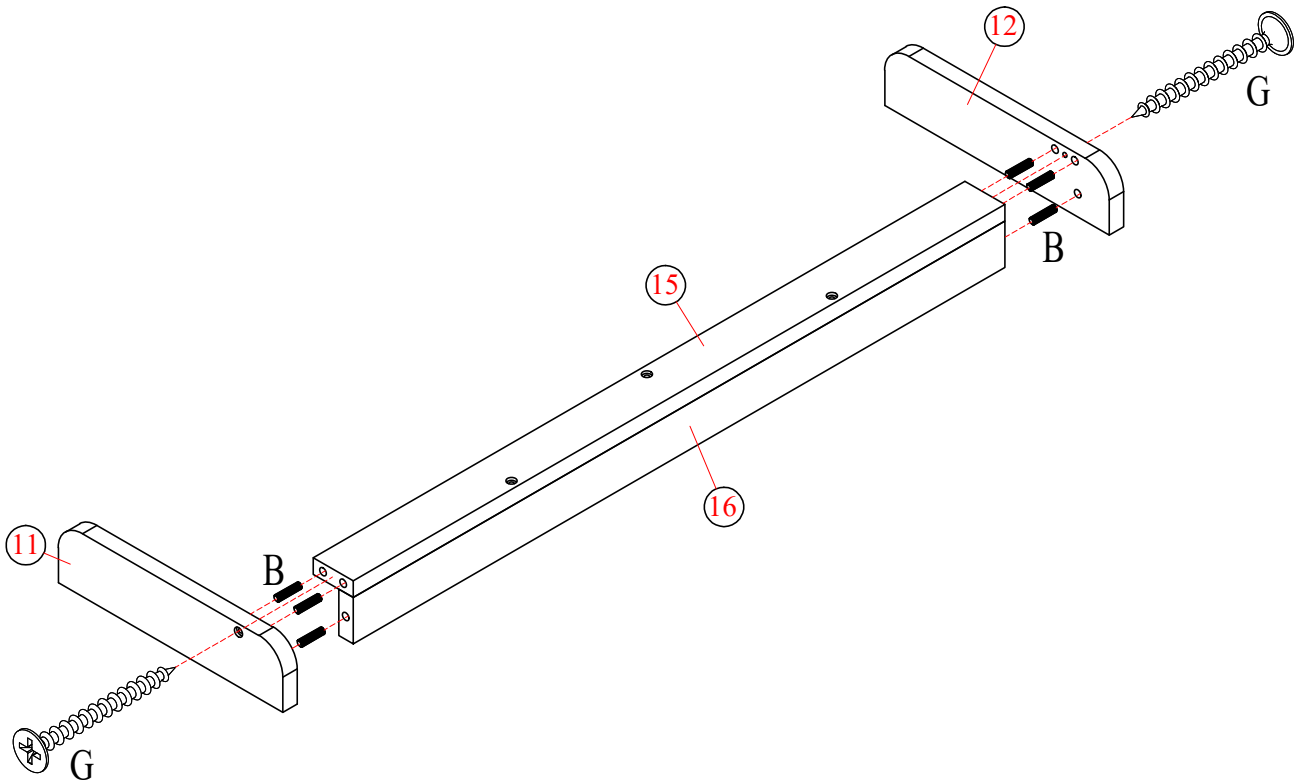
# STEP- 9

B	G
	
2PCS	2PCS

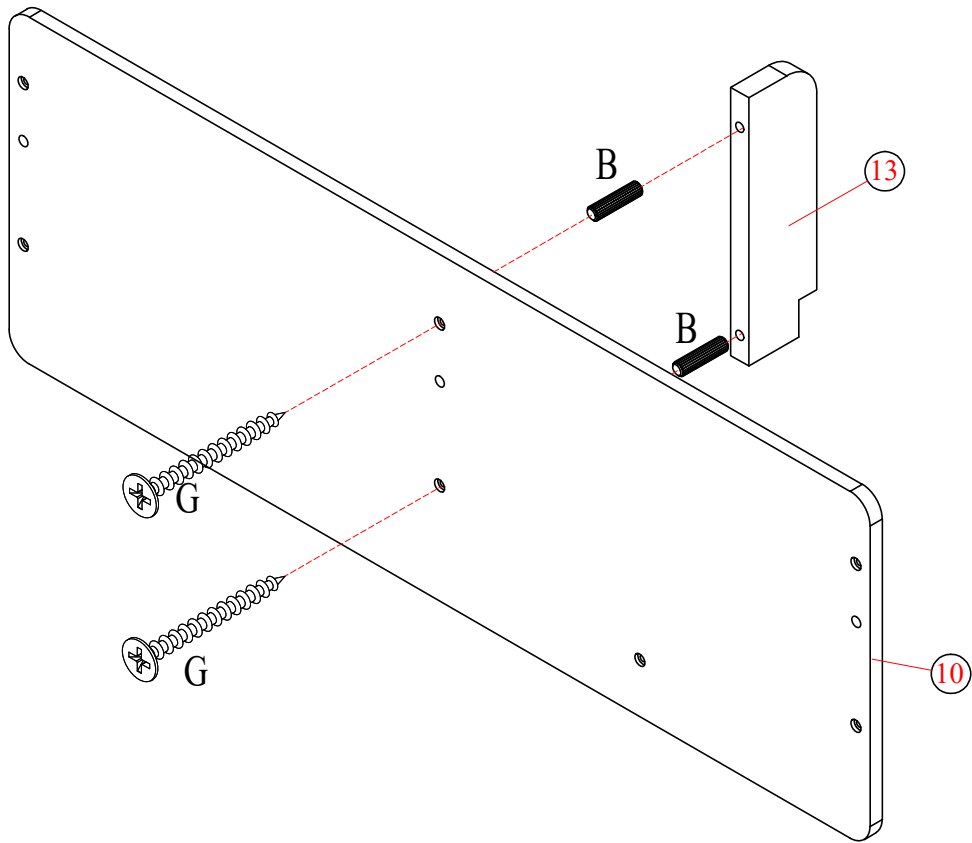


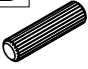

# STEP- 10

B	G
	
6PCS	2PCS

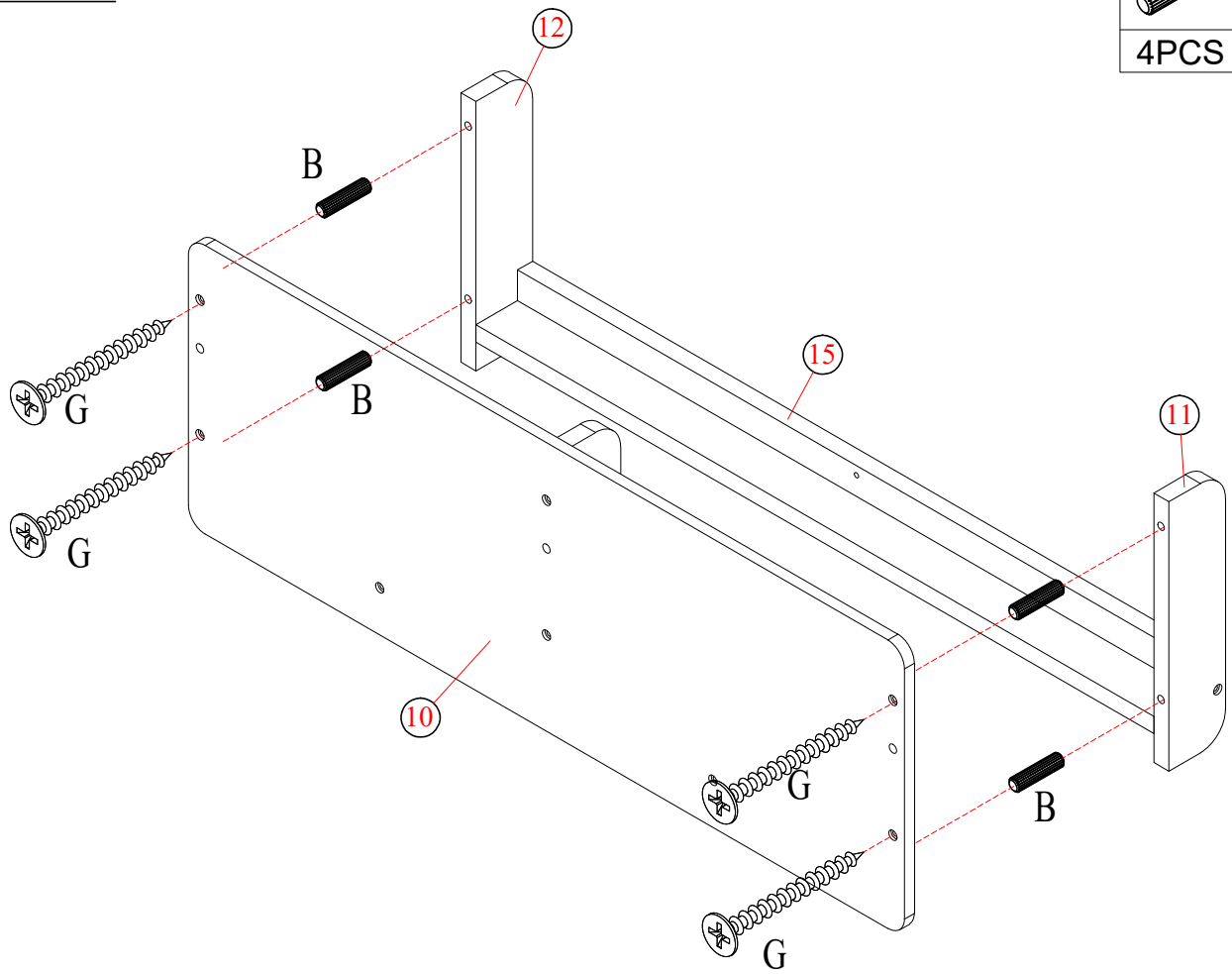


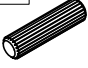

# STEP- 11



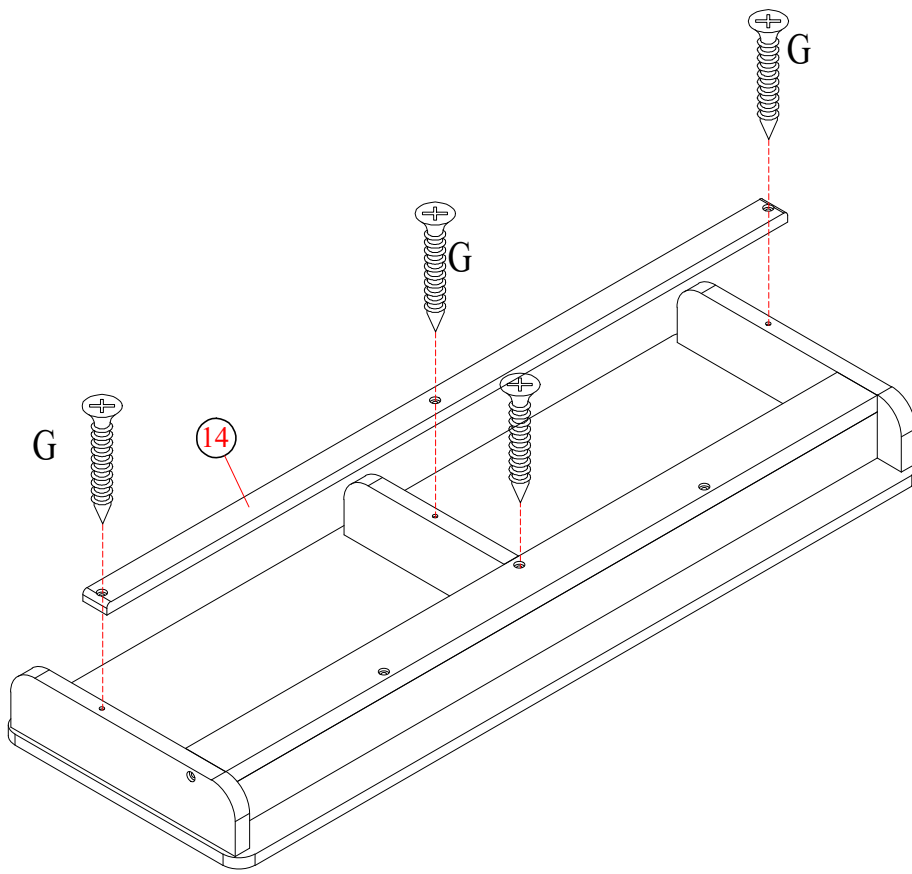
B	G
	
2PCS	2PCS

# STEP- 12



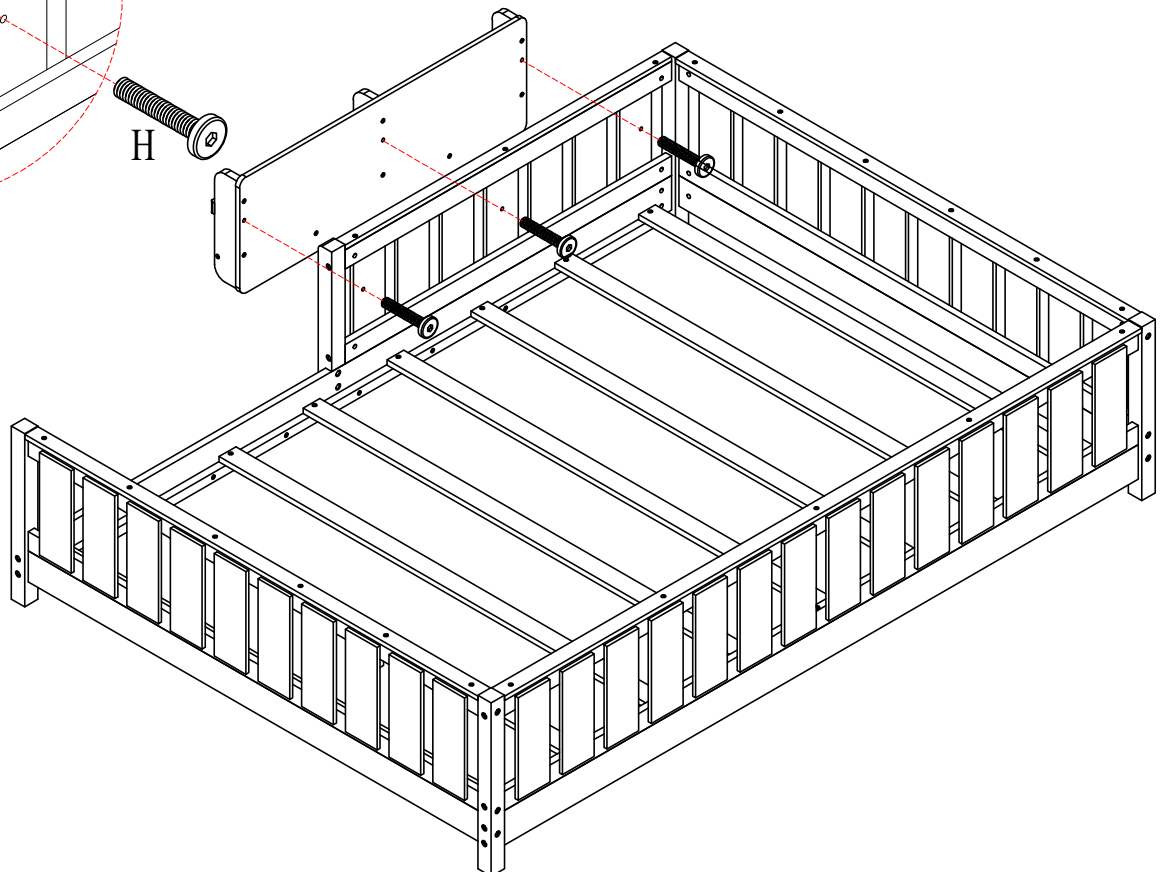
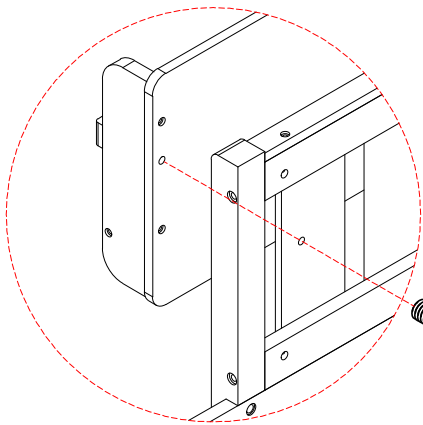
B	G
	
4PCS	4PCS

# STEP- 13



G  
4PCS

# STEP- 14



H  
3PCS

# ASSEMBLY COMPLETED

